

RL78/I1C

User's Manual: Hardware

16-Bit Single-Chip Microcontrollers

All information contained in these materials, including products and product specifications, represents information on the product at the time of publication and is subject to change by Renesas Electronics Corp. without notice. Please review the latest information published by Renesas Electronics Corp. through various means, including the Renesas Electronics Corp. website (<http://www.renesas.com>).

Notice

1. Descriptions of circuits, software and other related information in this document are provided only to illustrate the operation of semiconductor products and application examples. You are fully responsible for the incorporation of these circuits, software, and information in the design of your equipment. Renesas Electronics assumes no responsibility for any losses incurred by you or third parties arising from the use of these circuits, software, or information.
2. Renesas Electronics has used reasonable care in preparing the information included in this document, but Renesas Electronics does not warrant that such information is error free. Renesas Electronics assumes no liability whatsoever for any damages incurred by you resulting from errors in or omissions from the information included herein.
3. Renesas Electronics does not assume any liability for infringement of patents, copyrights, or other intellectual property rights of third parties by or arising from the use of Renesas Electronics products or technical information described in this document. No license, express, implied or otherwise, is granted hereby under any patents, copyrights or other intellectual property rights of Renesas Electronics or others.
4. You should not alter, modify, copy, or otherwise misappropriate any Renesas Electronics product, whether in whole or in part. Renesas Electronics assumes no responsibility for any losses incurred by you or third parties arising from such alteration, modification, copy or otherwise misappropriation of Renesas Electronics product.
5. Renesas Electronics products are classified according to the following two quality grades: "Standard" and "High Quality". The recommended applications for each Renesas Electronics product depends on the product's quality grade, as indicated below.
"Standard": Computers; office equipment; communications equipment; test and measurement equipment; audio and visual equipment; home electronic appliances; machine tools; personal electronic equipment; and industrial robots etc.
"High Quality": Transportation equipment (automobiles, trains, ships, etc.); traffic control systems; anti-disaster systems; anti-crime systems; and safety equipment etc.

Renesas Electronics products are neither intended nor authorized for use in products or systems that may pose a direct threat to human life or bodily injury (artificial life support devices or systems, surgical implantations etc.), or may cause serious property damages (nuclear reactor control systems, military equipment etc.). You must check the quality grade of each Renesas Electronics product before using it in a particular application. You may not use any Renesas Electronics product for any application for which it is not intended. Renesas Electronics shall not be in any way liable for any damages or losses incurred by you or third parties arising from the use of any Renesas Electronics product for which the product is not intended by Renesas Electronics.
6. You should use the Renesas Electronics products described in this document within the range specified by Renesas Electronics, especially with respect to the maximum rating, operating supply voltage range, movement power voltage range, heat radiation characteristics, installation and other product characteristics. Renesas Electronics shall have no liability for malfunctions or damages arising out of the use of Renesas Electronics products beyond such specified ranges.
7. Although Renesas Electronics endeavors to improve the quality and reliability of its products, semiconductor products have specific characteristics such as the occurrence of failure at a certain rate and malfunctions under certain use conditions. Further, Renesas Electronics products are not subject to radiation resistance design. Please be sure to implement safety measures to guard them against the possibility of physical injury, and injury or damage caused by fire in the event of the failure of a Renesas Electronics product, such as safety design for hardware and software including but not limited to redundancy, fire control and malfunction prevention, appropriate treatment for aging degradation or any other appropriate measures. Because the evaluation of microcomputer software alone is very difficult, please evaluate the safety of the final products or systems manufactured by you.
8. Please contact a Renesas Electronics sales office for details as to environmental matters such as the environmental compatibility of each Renesas Electronics product. Please use Renesas Electronics products in compliance with all applicable laws and regulations that regulate the inclusion or use of controlled substances, including without limitation, the EU RoHS Directive. Renesas Electronics assumes no liability for damages or losses occurring as a result of your noncompliance with applicable laws and regulations.
9. Renesas Electronics products and technology may not be used for or incorporated into any products or systems whose manufacture, use, or sale is prohibited under any applicable domestic or foreign laws or regulations. You should not use Renesas Electronics products or technology described in this document for any purpose relating to military applications or use by the military, including but not limited to the development of weapons of mass destruction. When exporting the Renesas Electronics products or technology described in this document, you should comply with the applicable export control laws and regulations and follow the procedures required by such laws and regulations.
10. It is the responsibility of the buyer or distributor of Renesas Electronics products, who distributes, disposes of, or otherwise places the product with a third party, to notify such third party in advance of the contents and conditions set forth in this document, Renesas Electronics assumes no responsibility for any losses incurred by you or third parties as a result of unauthorized use of Renesas Electronics products.
11. This document may not be reproduced or duplicated in any form, in whole or in part, without prior written consent of Renesas Electronics.
12. Please contact a Renesas Electronics sales office if you have any questions regarding the information contained in this document or Renesas Electronics products, or if you have any other inquiries.

(Note 1) "Renesas Electronics" as used in this document means Renesas Electronics Corporation and also includes its majority-owned subsidiaries.

(Note 2) "Renesas Electronics product(s)" means any product developed or manufactured by or for Renesas Electronics.

NOTES FOR CMOS DEVICES

- (1) **VOLTAGE APPLICATION WAVEFORM AT INPUT PIN:** Waveform distortion due to input noise or a reflected wave may cause malfunction. If the input of the CMOS device stays in the area between VIL (MAX) and VIH (MIN) due to noise, etc., the device may malfunction. Take care to prevent chattering noise from entering the device when the input level is fixed, and also in the transition period when the input level passes through the area between VIL (MAX) and VIH (MIN).
- (2) **HANDLING OF UNUSED INPUT PINS:** Unconnected CMOS device inputs can be cause of malfunction. If an input pin is unconnected, it is possible that an internal input level may be generated due to noise, etc., causing malfunction. CMOS devices behave differently than Bipolar or NMOS devices. Input levels of CMOS devices must be fixed high or low by using pull-up or pull-down circuitry. Each unused pin should be connected to VDD or GND via a resistor if there is a possibility that it will be an output pin. All handling related to unused pins must be judged separately for each device and according to related specifications governing the device.
- (3) **PRECAUTION AGAINST ESD:** A strong electric field, when exposed to a MOS device, can cause destruction of the gate oxide and ultimately degrade the device operation. Steps must be taken to stop generation of static electricity as much as possible, and quickly dissipate it when it has occurred. Environmental control must be adequate. When it is dry, a humidifier should be used. It is recommended to avoid using insulators that easily build up static electricity. Semiconductor devices must be stored and transported in an anti-static container, static shielding bag or conductive material. All test and measurement tools including work benches and floors should be grounded. The operator should be grounded using a wrist strap. Semiconductor devices must not be touched with bare hands. Similar precautions need to be taken for PW boards with mounted semiconductor devices.
- (4) **STATUS BEFORE INITIALIZATION:** Power-on does not necessarily define the initial status of a MOS device. Immediately after the power source is turned ON, devices with reset functions have not yet been initialized. Hence, power-on does not guarantee output pin levels, I/O settings or contents of registers. A device is not initialized until the reset signal is received. A reset operation must be executed immediately after power-on for devices with reset functions.
- (5) **POWER ON/OFF SEQUENCE:** In the case of a device that uses different power supplies for the internal operation and external interface, as a rule, switch on the external power supply after switching on the internal power supply. When switching the power supply off, as a rule, switch off the external power supply and then the internal power supply. Use of the reverse power on/off sequences may result in the application of an overvoltage to the internal elements of the device, causing malfunction and degradation of internal elements due to the passage of an abnormal current. The correct power on/off sequence must be judged separately for each device and according to related specifications governing the device.
- (6) **INPUT OF SIGNAL DURING POWER OFF STATE :** Do not input signals or an I/O pull-up power supply while the device is not powered. The current injection that results from input of such a signal or I/O pull-up power supply may cause malfunction and the abnormal current that passes in the device at this time may cause degradation of internal elements. Input of signals during the power off state must be judged separately for each device and according to related specifications governing the device.

How to Use This Manual

Readers

This manual is intended for user engineers who wish to understand the functions of the RL78/I1C and design and develop application systems and programs for these devices. The target products are as follows.

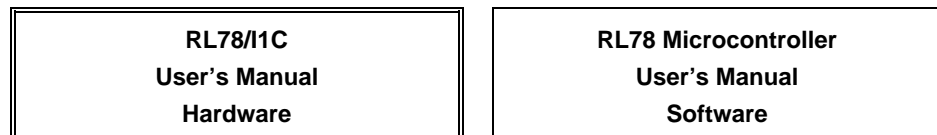
- 64-pin: R5F10NLG, R5F10NLE
- 80-pin: R5F10NMJ, R5F10NMG, R5F10NME
- 100-pin: R5F10NPJ, R5F10NPG

Purpose

This manual is intended to give users an understanding of the functions described in the **Organization** below.

Organization

The RL78/I1C manual is separated into two parts: this manual and the software edition (common to the RL78 Family).



- Pin functions
- Internal block functions
- Interrupts
- Other on-chip peripheral functions
- Electrical specifications
- CPU functions
- Instruction set
- Explanation of each instruction

How to Read This Manual

It is assumed that the readers of this manual have general knowledge of electrical engineering, logic circuits, and microcontrollers.

- To gain a general understanding of functions:
 - Read this manual in the order of the **CONTENTS**. The mark "<R>" shows major revised points. The revised points can be easily searched by copying an "<R>" in the PDF file and specifying it in the "Find what:" field.
- How to interpret the register format:
 - For a bit number enclosed in angle brackets, the bit name is defined as a reserved word in the assembler, and is defined as an sfr variable using the #pragma sfr directive in the compiler.
- To know details of the RL78/I1C Microcontroller instructions:
 - Refer to the separate document **RL78 Family Software User's Manual (R01US0015E)**.

Conventions

Data significance: Higher digits on the left and lower digits on the right
 Active low representations: $\overline{\text{xxx}}$ (overscore over pin and signal name)
Note: Footnote for item marked with **Note** in the text
Caution: Information requiring particular attention
Remark: Supplementary information
 Numerical representations: Binary ...xxxx or xxxxB
 Decimal ...xxxx
 Hexadecimal ...xxxH

Related Documents

The related documents indicated in this publication may include preliminary versions. However, preliminary versions are not marked as such.

Documents Related to Devices

Document Name	Document No.
RL78/I1C User's Manual Hardware	This manual
RL78 Family Software User's Manual	R01US0015E

Documents Related to Flash Memory Programming

Document Name	Document No.
PG-FP5 Flash Memory Programmer User's Manual	–
RL78, 78K, V850, RX100, RX200, RX600 (Except RX64x), R8C, SH	R20UT2923E
Common	R20UT2922E
Setup Manual	R20UT0930E

Caution The related documents listed above are subject to change without notice. Be sure to use the latest version of each document when designing.

Other Documents

Document Name	Document No.
RENESAS MPUs & MCUs RL78 Family	R01CP0003E
Semiconductor Package Mount Manual	Note
Semiconductor Reliability Handbook	R51ZZ0001E

Note See the "Semiconductor Package Mount Manual" website (<http://www.renesas.com/products/package/index.jsp>).

Caution The related documents listed above are subject to change without notice. Be sure to use the latest version of each document when designing.

All trademarks and registered trademarks are the property of their respective owners.

EEPROM is a trademark of Renesas Electronics Corporation.

SuperFlash is a registered trademark of Silicon Storage Technology, Inc. in several countries including the United States and Japan.

Caution: This product uses SuperFlash [®] technology licensed from Silicon Storage Technology, Inc.
--

CONTENTS

CHAPTER 1 OUTLINE.....	1
1.1 Features.....	1
1.2 List of Part Numbers	5
1.3 Pin Configuration (Top View)	6
1.3.1 64-pin products	6
1.3.2 80-pin products	7
1.3.3 100-pin products	8
1.4 Pin Identification.....	9
1.5 Block Diagram.....	10
1.5.1 64-pin products	10
1.5.2 80-pin products	11
1.5.3 100-pin products	12
1.6 Outline of Functions.....	13
CHAPTER 2 PIN FUNCTIONS	16
2.1 Port Function List.....	16
2.1.1 64-pin products	17
2.1.2 80-pin products	19
2.1.3 100-pin products	22
2.2 Functions Other than Port Pins	25
2.2.1 With functions for each product.....	25
2.2.2 Description of Functions.....	27
2.3 Connection of Unused Pins.....	30
2.4 Block Diagrams of Pins.....	32
CHAPTER 3 CPU ARCHITECTURE	46
3.1 Memory Space	46
3.1.1 Internal program memory space	53
3.1.2 Mirror area	56
3.1.3 Internal data memory space.....	58
3.1.4 Special function register (SFR) area	58
3.1.5 Extended special function register (2nd SFR: 2nd Special Function Register) area	58
3.1.6 Data memory addressing.....	59
3.2 Processor Registers.....	60
3.2.1 Control registers.....	60
3.2.2 General-purpose registers	62
3.2.3 ES and CS registers	63

3.2.4	Special function registers (SFRs).....	64
3.2.5	Extended special function registers (2nd SFRs: 2nd Special Function Registers).....	69
3.3	Instruction Address Addressing.....	81
3.3.1	Relative addressing	81
3.3.2	Immediate addressing.....	81
3.3.3	Table indirect addressing.....	82
3.3.4	Register direct addressing	82
3.4	Addressing for Processing Data Addresses	83
3.4.1	Implied addressing.....	83
3.4.2	Register addressing	83
3.4.3	Direct addressing	84
3.4.4	Short direct addressing	85
3.4.5	SFR addressing.....	86
3.4.6	Register indirect addressing.....	87
3.4.7	Based addressing	88
3.4.8	Based indexed addressing.....	92
3.4.9	Stack addressing	93
CHAPTER 4	PORT FUNCTIONS.....	97
4.1	Port Functions	97
4.2	Port Configuration	97
4.2.1	Port 0	98
4.2.2	Port 1	98
4.2.3	Port 2	99
4.2.4	Port 3	99
4.2.5	Port 4	99
4.2.6	Port 5	100
4.2.7	Port 6	100
4.2.8	Port 7	100
4.2.9	Port 8	100
4.2.10	Port 12	101
4.2.11	Port 13	101
4.2.12	Port 15	101
4.3	Registers Controlling Port Function.....	102
4.3.1	Port mode registers (PMxx)	106
4.3.2	Port registers (Pxx)	107
4.3.3	Pull-up resistor option registers (PUxx).....	108
4.3.4	Port input mode registers (PIMxx).....	109
4.3.5	Port output mode registers (POMxx).....	110
4.3.6	A/D port configuration register (ADPC)	111
4.3.7	Global digital input disable register (GDIDIS).....	112

4.3.8	Peripheral I/O redirection register (PIOR0)	113
4.3.9	LCD port function registers 0 to 5 (PFSEG0 to PFSEG5)	114
4.3.10	LCD input switch control register (ISCLCD)	117
4.4	Port Function Operations	118
4.4.1	Writing to I/O port	118
4.4.2	Reading from I/O port	118
4.4.3	Operations on I/O port	118
4.4.4	Connecting to external device with different potential (1.8 V, 2.5 V, 3 V)	119
4.4.5	Handling different potential (1.8 V, 2.5 V, 3 V) by using I/O buffers	119
4.5	Register Settings When Using Alternate Function	121
4.5.1	Basic concept when using alternate function	121
4.5.2	Register settings for alternate function whose output function is not used	122
4.5.3	Register setting examples for used port and alternate functions	123
4.5.4	Operation of ports that alternately function as SEGxx pins	132
4.5.5	Operation of ports that alternately function as VL3, CAPL, CAPH pins	133
4.6	Cautions When Using Port Function	135
4.6.1	Cautions on 1-bit manipulation instruction for port register n (Pn)	135
4.6.2	Notes on specifying the pin settings	136
CHAPTER 5	OPERATION STATE CONTROL	137
5.1	Configuration of Operation State Control	137
5.2	Registers Controlling Operation State Control	139
5.2.1	Flash operating mode select register (FLMODE)	139
5.2.2	Flash operating mode protect register (FLMWRP)	141
5.2.3	Regulator mode control register (PMMC)	141
5.3	Initial Setting of Flash Operation Modes	142
5.4	Transitions between Flash Operation Modes	143
5.5	Details of Flash Operation Modes	144
5.5.1	Details of HS (high-speed main) mode	144
5.5.2	Details of LS (low-speed main) mode	145
5.5.3	Details of LP (low-power main) mode	146
5.5.4	Details on LV (low-voltage main) mode	147
CHAPTER 6	CLOCK GENERATOR	148
6.1	Functions of Clock Generator	148
6.2	Configuration of Clock Generator	151
6.3	Registers Controlling Clock Generator	153
6.3.1	Clock operation mode control register (CMC)	153
6.3.2	System clock control register (CKC)	155
6.3.3	Clock operation status control register (CSC)	157
6.3.4	Sub clock operation mode control register (SCMC)	159

6.3.5	Sub clock operation status control register (SCSC)	161
6.3.6	Oscillation stabilization time counter status register (OSTC)	161
6.3.7	Oscillation stabilization time select register (OSTS).....	163
6.3.8	Subsystem clock select register (CKSEL).....	165
6.3.9	Peripheral enable registers 0, 1, 2 (PER0, PER1, PER2).....	166
6.3.10	Subsystem clock supply option control register (OSMC)	171
6.3.11	High-speed on-chip oscillator frequency select register (HOCODIV).....	173
6.3.12	Middle-speed on-chip oscillator frequency select register (MOCODIV)	174
6.3.13	Frequency measurement clock select register (FMCKS).....	175
6.3.14	PLL control register (DSCCTL)	176
6.3.15	Main clock control register (MCKC)	177
6.3.16	Peripheral clock control register (PCKC).....	178
6.4	System Clock Oscillator.....	179
6.4.1	X1 oscillator	179
6.4.2	XT1 oscillator	179
6.4.3	High-speed on-chip oscillator.....	183
6.4.4	Middle-speed on-chip oscillator.....	183
6.4.5	Low-speed on-chip oscillator.....	183
6.4.6	Phase-locked loop (PLL).....	183
6.5	Clock Generator Operation.....	184
6.6	Controlling Clock.....	186
6.6.1	Example of setting high-speed on-chip oscillator	186
6.6.2	Example of setting X1 oscillation clock	188
6.6.3	Example of setting XT1 oscillation clock	190
6.6.4	Procedure for settings when the XT1 oscillator is not to be used as the CPU/peripheral hardware clock.....	191
6.6.5	CPU clock status transition diagram	192
6.6.6	Condition before changing CPU clock and processing after changing CPU clock.....	198
6.6.7	Time required for switchover of CPU clock and main system clock.....	204
6.6.8	Conditions before clock oscillation is stopped.....	206
6.7	Resonator and Oscillator Constants	207

CHAPTER 7 HIGH-SPEED ON-CHIP OSCILLATOR CLOCK FREQUENCY CORRECTION

	FUNCTION	208
7.1	High-speed On-chip Oscillator Clock Frequency Correction Function	208
7.2	Register.....	209
7.2.1	High-speed on-chip oscillator clock frequency correction control register (HOCOFC).....	209
7.3	Operation	210
7.3.1	Operation overview	210
7.3.2	Operation procedure	213
7.4	Usage Notes	214

7.4.1	SFR access.....	214
7.4.2	Operation during standby state	214
7.4.3	Changing high-speed on-chip oscillator frequency select register (HOCODIV)	214
CHAPTER 8 TIMER ARRAY UNIT		215
8.1	Functions of Timer Array Unit.....	216
8.1.1	Independent channel operation function	216
8.1.2	Simultaneous channel operation function	217
8.1.3	8-bit timer operation function (channels 1 and 3 only)	218
8.1.4	LIN-bus supporting function (channel 7 only).....	219
8.2	Configuration of Timer Array Unit	220
8.2.1	Timer count register mn (TCRmn)	225
8.2.2	Timer data register mn (TDRmn)	227
8.3	Registers Controlling Timer Array Unit.....	228
8.3.1	Peripheral enable register 0 (PER0)	229
8.3.2	Peripheral reset control register 0 (PRR0)	230
8.3.3	Timer clock select register m (TPSm)	231
8.3.4	Timer mode register mn (TMRmn).....	234
8.3.5	Timer status register mn (TSRmn).....	239
8.3.6	Timer channel enable status register m (TEm)	240
8.3.7	Timer channel start register m (TSM)	241
8.3.8	Timer channel stop register m (TTm).....	242
8.3.9	Timer input select register 0 (TIS0).....	243
8.3.10	Timer output enable register m (TOEm).....	244
8.3.11	Timer output register m (TOM).....	245
8.3.12	Timer output level register m (TOLm)	246
8.3.13	Timer output mode register m (TOMm).....	247
8.3.14	Input switch control register (ISC)	248
8.3.15	Noise filter enable register 1 (NFEN1)	249
8.3.16	Registers controlling port functions of pins to be used for timer I/O	251
8.4	Basic Rules of Timer Array Unit.....	252
8.4.1	Basic rules of simultaneous channel operation function	252
8.4.2	Basic rules of 8-bit timer operation function (channels 1 and 3 only)	254
8.5	Operation of Counter.....	255
8.5.1	Count clock (f _{CLK}).....	255
8.5.2	Start timing of counter	257
8.5.3	Operation of counter	258
8.6	Channel Output (TOMn Pin) Control	263
8.6.1	TOMn pin output circuit configuration	263
8.6.2	TOMn pin output setting.....	264
8.6.3	Cautions on channel output operation	265

8.6.4	Collective manipulation of TOMn bit	270
8.6.5	Timer Interrupt and TOMn pin output at operation start	271
8.7	Timer Input (TImn) Control	272
8.7.1	TImn input circuit configuration	272
8.7.2	Noise filter	272
8.7.3	Cautions on channel input operation.....	273
8.8	Independent Channel Operation Function of Timer Array Unit.....	274
8.8.1	Operation as interval timer/square wave output.....	274
8.8.2	Operation as external event counter	280
8.8.3	Operation as input pulse interval measurement.....	285
8.8.4	Operation as input signal high-/low-level width measurement	289
8.8.5	Operation as delay counter	293
8.9	Simultaneous Channel Operation Function of Timer Array Unit.....	298
8.9.1	Operation as one-shot pulse output function.....	298
8.9.2	Operation as PWM function	305
8.9.3	Operation as multiple PWM output function	312
8.10	Cautions When Using Timer Array Unit	320
8.10.1	Cautions when using timer output.....	320
CHAPTER 9	Realtime Clock with Independent Power Supply.....	321
9.1	Overview.....	321
9.2	Register Descriptions.....	324
9.2.1	Peripheral enable register 2 (PER2)	324
9.2.2	64-Hz counter (R64CNT)	325
9.2.3	Second counter (RSECCNT)/binary counter 0 (BCNT0)	326
9.2.4	Minute counter (RMINCNT)/binary counter 1 (BCNT1).....	327
9.2.5	Hour counter (RHRCNT)/binary counter 2 (BCNT2)	328
9.2.6	Day-of-week counter (RWKCNT)/binary counter 3 (BCNT3)	329
9.2.7	Date counter (RDAYCNT).....	330
9.2.8	Month counter (RMONCNT)	331
9.2.9	Year counter (RYRCNT)	331
9.2.10	Second alarm register (RSECAR)/binary counter 0 alarm register (BCNT0AR)	332
9.2.11	Minute alarm register (RMINAR)/binary counter 1 alarm register (BCNT1AR)	333
9.2.12	Hour alarm register (RHRAR)/binary counter 2 alarm register (BCNT2AR).....	334
9.2.13	Day-of-week alarm register (RWKAR)/binary counter 3 alarm register (BCNT3AR).....	335
9.2.14	Date alarm register (RDAYAR)/binary counter 0 alarm enable register (BCNT0AER).....	336
9.2.15	Month alarm register (RMONAR)/binary counter 1 alarm enable register (BCNT1AER)	337
9.2.16	Year alarm register (RYRAR)/binary counter 2 alarm enable register (BCNT2AER)	338
9.2.17	Year alarm enable register (RYRAREN)/binary counter 3 alarm enable register (BCNT3AER)	339
9.2.18	RTC control register 1 (RCR1).....	340

9.2.19	RTC control register 2 (RCR2).....	341
9.2.20	RTC control register 3 (RCR3).....	345
9.2.21	RTC control register 4 (RCR4).....	346
9.2.22	RTC control register 5 (RCR5).....	347
9.2.23	RCR5 guard register (RCR5GD).....	348
9.2.24	Time error adjustment register (RADJ)	349
9.2.25	Time capture control register y (RTCCRy) (y = 0 to 2).....	350
9.2.26	Second capture register y (RSECCPy) (y = 0 to 2)/BCNT0 capture register y (BCNT0CPy) (y = 0 to 2).....	352
9.2.27	Minute capture register y (RMINCPy) (y = 0 to 2)/BCNT1 capture register y (BCNT1CPy) (y = 0 to 2).....	353
9.2.28	Hour capture register y (RHRCPy) (y = 0 to 2)/BCNT2 capture register y (BCNT2CPy) (y = 0 to 2).....	354
9.2.29	Date capture register y (RDAYCPy) (y = 0 to 2)/BCNT3 capture register y (BCNT3CPy) (y = 0 to 2).....	355
9.2.30	Month capture register y (RMONCPy) (y = 0 to 2)	356
9.2.31	RTC status register (RSR)	357
9.2.32	Sub clock operation mode control register (SCMC)	358
9.2.33	Sub clock operation status control register (SCSC)	360
9.2.34	RTC power-on-reset status register (RTCPORSR).....	361
9.2.35	Time capture event input noise filter enable register (RTCICNFEN).....	362
9.3	Operation	363
9.3.1	Outline of initial settings of registers after power on.....	363
9.3.2	Initialization procedure	364
9.3.3	Clock and count mode setting procedure.....	365
9.3.4	Setting the time procedure	366
9.3.5	30-second adjustment procedure.....	367
9.3.6	Reading 64-Hz counter and time	368
9.3.7	Alarm function	369
9.3.8	Procedure for disabling alarm interrupt	370
9.3.9	Time error adjustment function	370
9.3.9.1	Automatic adjustment	371
9.3.9.2	Adjustment by software.....	372
9.3.9.3	Procedure for changing the mode of adjustment	372
9.3.9.4	Procedure for stopping adjustment	372
9.3.9.5	Time capture function	373
9.3.10	Noise filter operation for RTCICn pin (n = 0 to 2)	374
9.4	Interrupt Sources.....	375
9.5	Event Link Output.....	376
9.5.1	Interrupt handling and event linking	376
9.6	Usage Notes	377
9.6.1	Register writing during counting.....	377

9.6.2	Use of periodic interrupts	377
9.6.3	RTCOU _T (1-Hz/64-Hz) clock output	377
9.6.4	Transitions to low power consumption modes after setting registers	378
9.6.5	Notes when writing to and reading from registers	378
9.6.6	Changing the count mode	378
9.6.7	Stop procedure	379
9.6.8	Caution of shortwave detection function	379
CHAPTER 10 FREQUENCY MEASURE CIRCUIT		380
10.1	Frequency Measurement Circuit	380
10.2	Configuration of Frequency Measurement Circuit	380
10.3	Registers Controlling Frequency Measurement Circuit	381
10.3.1	Peripheral enable register 1 (PER1)	382
10.3.2	Subsystem clock supply option control register (OSMC)	383
10.3.3	Frequency measurement count register L (FMCRL)	384
10.3.4	Frequency measurement count register H (FMCRH)	384
10.3.5	Frequency measurement control register (FMCTL)	385
10.3.6	Frequency measurement clock select register (FMCKS)	386
10.4	Frequency Measurement Circuit Operation	387
10.4.1	Setting frequency measurement circuit	387
10.4.2	Frequency measurement circuit operation timing	388
CHAPTER 11 12-BIT INTERVAL TIMER		389
11.1	Functions of 12-bit Interval Timer	389
11.2	Configuration of 12-bit Interval Timer	389
11.3	Registers Controlling 12-bit Interval Timer	390
11.3.1	Peripheral enable register 2 (PER2)	390
11.3.2	Peripheral reset control register 2 (PRR2)	391
11.3.3	Subsystem clock supply option control register (OSMC)	392
11.3.4	12-bit interval timer control register (ITMC)	393
11.4	12-bit Interval Timer Operation	394
11.4.1	12-bit interval timer operation timing	394
11.4.2	Start of count operation and re-enter to HALT/STOP mode after returned from HALT/STOP mode	395
CHAPTER 12 8-BIT INTERVAL TIMER		396
12.1	Overview	396
12.2	I/O Pins	398
12.3	Registers	398
12.3.1	8-bit interval timer counter register n_i (TRT _{<i>ni</i>}) ($n = 0, 1, i = 0, 1$)	399

12.3.2	8-bit interval timer counter register n (TRTn) (n = 0, 1).....	399
12.3.3	8-bit interval timer compare register ni (TRTCMPni) (n = 0, 1, i = 0, 1).....	400
12.3.4	8-bit interval timer compare register n (TRTCMPn) (n = 0, 1).....	400
12.3.5	8-bit interval timer control register n (TRTCRn) (n = 0, 1).....	401
12.3.6	8-bit interval timer division register n (TRTMDn) (n = 0, 1).....	402
12.4	Operation	403
12.4.1	Count mode	403
12.4.2	Timer operation	404
12.4.3	Start/stop timing	406
12.4.3.1	When count source (fsx) is selected.....	406
12.4.3.2	When count source (fsx/2m) is selected.....	408
12.4.4	Timing for updating compare register values	410
12.5	Notes on 8-Bit Interval Timer	410
12.5.1	Changing settings of operating mode	411
12.5.2	Accessing compare registers	411
12.5.3	8-bit interval timer setting procedure.....	411
CHAPTER 13	CLOCK OUTPUT/BUZZER OUTPUT CONTROLLER.....	412
13.1	Functions of Clock Output/Buzzer Output Controller	412
13.2	Configuration of Clock Output/Buzzer Output Controller	413
13.3	Registers Controlling Clock Output/Buzzer Output Controller	413
13.3.1	Clock output select registers n (CKSn)	413
13.3.2	Registers controlling port functions of pins to be used for clock or buzzer output.....	415
13.4	Operations of Clock Output/Buzzer Output Controller.....	416
13.4.1	Operation as output pin.....	416
13.5	Cautions of clock output/buzzer output controller	416
CHAPTER 14	WATCHDOG TIMER	417
14.1	Functions of Watchdog Timer	417
14.2	Configuration of Watchdog Timer	418
14.3	Register Controlling Watchdog Timer	419
14.3.1	Watchdog timer enable register (WDTE)	419
14.4	Operation of Watchdog Timer	420
14.4.1	Controlling operation of watchdog timer.....	420
14.4.2	Setting overflow time of watchdog timer	421
14.4.3	Setting window open period of watchdog timer.....	422
14.4.4	Setting watchdog timer interval interrupt.....	423
CHAPTER 15	A/D CONVERTER	424
15.1	Function of A/D Converter	424
15.2	Configuration of A/D Converter	427

15.3	Registers Controlling A/D Converter	429
15.3.1	Peripheral enable register 0 (PER0)	430
15.3.2	Peripheral reset control register 0 (PRR0)	431
15.3.3	A/D converter mode register 0 (ADM0)	432
15.3.4	A/D converter mode register 1 (ADM1)	441
15.3.5	A/D converter mode register 2 (ADM2)	442
15.3.6	10-bit A/D conversion result register (ADCR)	445
15.3.7	8-bit A/D conversion result register (ADCRH)	445
15.3.8	Analog input channel specification register (ADS)	446
15.3.9	Conversion result comparison upper limit setting register (ADUL)	447
15.3.10	Conversion result comparison lower limit setting register (ADLL)	447
15.3.11	A/D test register (ADTES)	448
15.3.12	Registers controlling port function of analog input pins	448
15.4	A/D Converter Conversion Operations	449
15.5	Input Voltage and Conversion Results	451
15.6	A/D Converter Operation Modes	452
15.6.1	Software trigger mode (select mode, sequential conversion mode)	452
15.6.2	Software trigger mode (select mode, one-shot conversion mode)	453
15.6.3	Software trigger mode (scan mode, sequential conversion mode)	454
15.6.4	Software trigger mode (scan mode, one-shot conversion mode)	455
15.6.5	Hardware trigger no-wait mode (select mode, sequential conversion mode)	456
15.6.6	Hardware trigger no-wait mode (select mode, one-shot conversion mode)	457
15.6.7	Hardware trigger no-wait mode (scan mode, sequential conversion mode)	458
15.6.8	Hardware trigger no-wait mode (scan mode, one-shot conversion mode)	459
15.6.9	Hardware trigger wait mode (select mode, sequential conversion mode)	460
15.6.10	Hardware trigger wait mode (select mode, one-shot conversion mode)	461
15.6.11	Hardware trigger wait mode (scan mode, sequential conversion mode)	462
15.6.12	Hardware trigger wait mode (scan mode, one-shot conversion mode)	463
15.7	A/D Converter Setup Flowchart	464
15.7.1	Setting up software trigger mode	464
15.7.2	Setting up hardware trigger no-wait mode	465
15.7.3	Setting up hardware trigger wait mode	466
15.7.4	Setup when temperature sensor output voltage/internal reference voltage is selected (example for software trigger mode and one-shot conversion mode)	467
15.7.5	Setting up test mode	468
15.8	SNOOZE Mode Function	469
15.9	How to Read A/D Converter Characteristics Table	473
15.10	Cautions for A/D Converter	475
CHAPTER 16	TEMPERATURE SENSOR 2	479
16.1	Functions of Temperature Sensor	479

16.2	Registers.....	480
16.2.1	Peripheral enable register 0 (PER0)	480
16.2.2	Temperature sensor control test register (TMPCTL).....	481
16.2.3	Peripheral reset control register 0 (PRR0)	481
16.3	Setting Procedures.....	482
16.3.1	Starting operation of the temperature sensor.....	482
16.3.2	Switching modes.....	483
CHAPTER 17	24-BIT $\Delta\Sigma$ A/D CONVERTER.....	484
17.1	Functions of 24-bit $\Delta\Sigma$ A/D Converter.....	484
17.1.1	I/O pins.....	487
17.1.2	Pre-amplifier.....	487
17.1.3	$\Delta\Sigma$ A/D converter.....	487
17.1.4	Reference voltage generator.....	488
17.1.5	Phase adjustment circuits (PHCn)	488
17.1.6	Digital filter (DF)	488
17.1.7	Zero-cross detection	488
17.1.8	High-pass filter (HPF)	488
17.2	Registers.....	489
17.2.1	$\Delta\Sigma$ A/D converter mode register (DSADMR)	490
17.2.2	$\Delta\Sigma$ A/D converter gain control register 0 (DSADGCR0)	492
17.2.3	$\Delta\Sigma$ A/D converter gain control register 1 (DSADGCR1)	493
17.2.4	$\Delta\Sigma$ A/D converter HPF control register (DSADHPFCR)	494
17.2.5	$\Delta\Sigma$ A/D converter interrupt control register (DSADICR).....	495
17.2.6	$\Delta\Sigma$ A/D converter interrupt clear register (DSADICLR).....	498
17.2.7	$\Delta\Sigma$ A/D converter interrupt status register (DSADISR).....	499
17.2.8	$\Delta\Sigma$ A/D converter phase control register n (DSADPHCRn) (n = 0, 1, 2, 3).....	500
17.2.9	$\Delta\Sigma$ A/D converter conversion result register n (DSADCRnL, DSADCRnM, DSADCRnH) (n = 0, 1, 2, 3)	501
17.2.10	$\Delta\Sigma$ A/D converter conversion result register n (DSADCRn) (n = 0, 1, 2, 3)	503
17.2.11	Peripheral enable register 1 (PER1)	504
17.2.12	Peripheral reset control register 1 (PRR1)	505
17.2.13	Peripheral clock control register (PCKC).....	506
17.3	Operation.....	507
17.3.1	Operation of 24-bit $\Delta\Sigma$ A/D converter	508
17.3.2	Procedure for switching from normal operation mode to neutral missing mode.....	510
17.3.3	Interrupt operation.....	511
17.3.3.1	Zero-cross detection interrupt operation	511
17.3.3.2	$\Delta\Sigma$ A/D conversion end interrupt operation	513
17.3.4	Operation in standby state	513
17.4	Notes on Using 24-Bit $\Delta\Sigma$ A/D Converter.....	514

17.4.1	External pins	514
17.4.2	SFR access.....	514
17.4.3	Setting operating clock.....	515
17.4.4	Cycle measurement of the zero-cross detection interrupt by using ELC.....	516
17.4.5	Zero-cross detection interrupt software-clear	516
CHAPTER 18 SERIAL ARRAY UNIT.....		517
18.1	Functions of Serial Array Unit.....	518
18.1.1	3-wire serial I/O (CSI00, CSI10, CSI30).....	518
18.1.2	UART (UART0 to UART3)	519
18.1.3	Simplified I ² C (IIC00, IIC10, IIC30).....	520
18.1.4	IrDA.....	520
18.2	Configuration of Serial Array Unit	521
18.2.1	Shift register.....	525
18.2.2	Lower 8/9 bits of the serial data register mn (SDRmn)	525
18.3	Registers Controlling Serial Array Unit.....	527
18.3.1	Peripheral enable register 0 (PER0)	528
18.3.2	Serial clock select register m (SPSm).....	529
18.3.3	Serial mode register mn (SMRmn).....	530
18.3.4	Serial communication operation setting register mn (SCRmn).....	531
18.3.5	Serial data register mn (SDRmn)	534
18.3.6	Serial flag clear trigger register mn (SIRmn)	536
18.3.7	Serial status register mn (SSRmn).....	537
18.3.8	Serial channel start register m (SSm)	539
18.3.9	Serial channel stop register m (STm).....	540
18.3.10	Serial channel enable status register m (SEm)	541
18.3.11	Serial output enable register m (SOEm)	542
18.3.12	Serial output register m (SOM)	543
18.3.13	Serial output level register m (SOLm)	544
18.3.14	Serial standby control register 0 (SSC0).....	546
18.3.15	Input switch control register (ISC)	547
18.3.16	Noise filter enable register 0 (NFEN0)	548
18.3.17	Registers controlling port functions of serial input/output pins	549
18.3.18	Peripheral reset control register 0 (PRR0)	550
18.4	Operation Stop Mode	551
18.4.1	Stopping the operation by units.....	552
18.4.2	Stopping the operation by channels.....	553
18.5	Operation of 3-Wire Serial I/O (CSI00, CSI10, CSI30) Communication.....	554
18.5.1	Master transmission	556
18.5.2	Master reception	566
18.5.3	Master transmission/reception	575

18.5.4	Slave transmission	585
18.5.5	Slave reception	595
18.5.6	Slave transmission/reception	602
18.5.7	SNOOZE mode function	612
18.5.8	Calculating transfer clock frequency	616
18.5.9	Procedure for processing errors that occurred during 3-wire serial I/O (CSI00, CSI10, CSI30) communication.....	618
18.6	Operation of UART (UART0 to UART3) Communication	619
18.6.1	UART transmission	621
18.6.2	UART reception	631
18.6.3	SNOOZE mode function	638
18.6.4	Calculating baud rate	646
18.6.5	Procedure for processing errors that occurred during UART (UART0 to UART3) communication.....	650
18.7	LIN Communication Operation.....	651
18.7.1	LIN transmission	651
18.7.2	LIN reception.....	654
18.8	Operation of Simplified I²C (IIC00, IIC10, IIC30) Communication.....	659
18.8.1	Address field transmission	661
18.8.2	Data transmission	667
18.8.3	Data reception.....	671
18.8.4	Stop condition generation	676
18.8.5	Calculating transfer rate.....	677
18.8.6	Procedure for processing errors that occurred during simplified I ² C (IIC00, IIC10, IIC30) communication.....	679
CHAPTER 19	SERIAL INTERFACE IICA	680
19.1	Functions of Serial Interface IICA	680
19.2	Configuration of Serial Interface IICA.....	683
19.3	Registers Controlling Serial Interface IICA.....	686
19.3.1	Peripheral enable register 0 (PER0)	687
19.3.2	Peripheral reset control register 0 (PRR0)	688
19.3.3	IICA control register n0 (IICCTLn0).....	688
19.3.4	IICA status register n (IICSn)	693
19.3.5	IICA flag register n (IICFn)	695
19.3.6	IICA control register n1 (IICCTLn1).....	697
19.3.7	IICA low-level width setting register n (IICWLn).....	699
19.3.8	IICA high-level width setting register n (IICWHn)	699
19.3.9	Port mode register 6 (PM6).....	700
19.4	I²C Bus Mode Functions.....	701
19.4.1	Pin configuration	701

19.4.2	Setting transfer clock by using IICWLn and IICWHn registers	702
19.5	I²C Bus Definitions and Control Methods.....	704
19.5.1	Start conditions	704
19.5.2	Addresses	705
19.5.3	Transfer direction specification	705
19.5.4	Acknowledge (ACK).....	706
19.5.5	Stop condition	707
19.5.6	Wait.....	708
19.5.7	Canceling wait.....	710
19.5.8	Interrupt request (INTIICAn) generation timing and wait control	711
19.5.9	Address match detection method.....	712
19.5.10	Error detection	712
19.5.11	Extension code	712
19.5.12	Arbitration.....	713
19.5.13	Wakeup function	715
19.5.14	Communication reservation	718
19.5.15	Cautions.....	722
19.5.16	Communication operations	723
19.5.17	Timing of I ² C interrupt request (INTIICAn) occurrence	731
19.6	Timing Charts.....	752
CHAPTER 20	IrDA.....	767
20.1	Functions of IrDA.....	767
20.2	Registers.....	768
20.2.1	Peripheral enable register 0 (PER0)	768
20.2.2	Peripheral reset control register 0 (PRR0)	769
20.2.3	IrDA control register (IRCR)	770
20.3	Operation	771
20.3.1	IrDA communication operation procedure.....	771
20.3.2	Transmission.....	772
20.3.3	Reception.....	773
20.3.4	Selecting high-level pulse width	773
20.4	Usage Notes on IrDA	774
CHAPTER 21	LCD CONTROLLER/DRIVER	775
21.1	Functions of LCD Controller/Driver	776
21.2	Configuration of LCD Controller/Driver.....	779
21.3	Registers Controlling LCD Controller/Driver	781
21.3.1	LCD mode register 0 (LCDM0)	782
21.3.2	LCD mode register 1 (LCDM1)	785
21.3.3	Subsystem clock supply option control register (OSMC)	787

21.3.4	LCD clock control register 0 (LCDC0).....	788
21.3.5	LCD boost level control register (VLCD)	789
21.3.6	LCD input switch control register (ISCLCD).....	790
21.3.7	LCD port function registers 0 to 5 (PFSEG0 to PFSEG5).....	792
21.3.8	Port mode registers 0, 1, 3, 5, 7, 8 (PM0, PM1, PM3, PM5, PM7, PM8)	796
21.4	LCD Display Data Registers	797
21.5	Selection of LCD Display Register.....	801
21.5.1	A-pattern area and B-pattern area data display	802
21.5.2	Blinking display (Alternately displaying A-pattern and B-pattern area data).....	802
21.6	Setting the LCD Controller/Driver	803
21.7	Operation Stop Procedure.....	806
21.8	Supplying LCD Drive Voltages V_{L1}, V_{L2}, V_{L3}, and V_{L4}.....	807
21.8.1	External resistance division method.....	807
21.8.2	Internal voltage boosting method	809
21.8.3	Capacitor split method	810
21.9	Common and Segment Signals.....	811
21.9.1	Normal liquid crystal waveform	811
21.10	Display Modes.....	820
21.10.1	Static display example	820
21.10.2	Two-time-slice display example	823
21.10.3	Three-time-slice display example.....	826
21.10.4	Four-time-slice display example.....	830
21.10.5	Six-time-slice display example	834
21.10.6	Eight-time-slice display example.....	837
CHAPTER 22	DATA TRANSFER CONTROLLER (DTC).....	841
22.1	Functions of DTC.....	842
22.2	Configuration of DTC	843
22.3	Registers Controlling DTC.....	844
22.3.1	Allocation of DTC control data area and DTC vector table area	845
22.3.2	Control data allocation	846
22.3.3	Vector table.....	848
22.3.4	Peripheral enable register 1 (PER1)	850
22.3.5	DTC control register j (DTCCRj) (j = 0 to 23)	851
22.3.6	DTC block size register j (DTBLSj) (j = 0 to 23)	852
22.3.7	DTC transfer count register j (DTCCTj) (j = 0 to 23).....	852
22.3.8	DTC transfer count reload register j (DTRLdj) (j = 0 to 23).....	853
22.3.9	DTC source address register j (DTSARj) (j = 0 to 23).....	853
22.3.10	DTC destination address register j (DTDARj) (j = 0 to 23)	853
22.3.11	DTC activation enable register i (DTCENi) (i = 0 to 4)	854
22.3.12	DTC base address register (DTCBAR)	856

22.4	DTC Operation	857
22.4.1	Activation sources	857
22.4.2	Normal mode	858
22.4.3	Repeat mode	861
22.4.4	Chain transfers.....	864
22.5	Notes on DTC	866
22.5.1	Setting DTC control data and vector table	866
22.5.2	Allocation of DTC control data area and DTC vector table area	866
22.5.3	DTC pending instruction.....	866
22.5.4	Operation when accessing data flash memory space	867
22.5.5	Number of DTC execution clock cycles	867
22.5.6	DTC response time	868
22.5.7	DTC activation sources	868
22.5.8	Operation in standby mode status	869
CHAPTER 23	EVENT LINK CONTROLLER (ELC).....	870
23.1	Functions of ELC	870
23.2	Configuration of ELC.....	870
23.3	Registers Controlling ELC.....	871
23.3.1	Event output destination select register n (ELSELRn) (n = 00 to 21)	872
23.3.2	Timer input select register 0 (TIS0).....	875
23.3.3	A/D converter mode register 1 (ADM1).....	876
23.4	ELC Operation.....	877
23.5	Points for Caution when Using the ELC.....	878
CHAPTER 24	INTERRUPT FUNCTIONS.....	879
24.1	Interrupt Function Types	879
24.2	Interrupt Sources and Configuration.....	879
24.3	Registers Controlling Interrupt Functions	885
24.3.1	Interrupt request flag registers (IF0L, IF0H, IF1L, IF1H, IF2L, IF2H, IF3L)	888
24.3.2	Interrupt mask flag registers (MK0L, MK0H, MK1L, MK1H, MK2L, MK2H, MK3L)	890
24.3.3	Priority specification flag registers (PR00L, PR00H, PR01L, PR01H, PR02L, PR02H, PR03L, PR10L, PR10H, PR11L, PR11H, PR12L, PR12H, PR13L).....	891
24.3.4	External interrupt rising edge enable register (EGP0, EGP1), External interrupt falling edge enable register (EGN0, EGN1)	893
24.3.5	Program status word (PSW)	895
24.4	Interrupt Servicing Operations.....	896
24.4.1	Maskable interrupt request acknowledgment.....	896
24.4.2	Software interrupt request acknowledgment	899
24.4.3	Multiple interrupt servicing	899
24.4.4	Interrupt servicing during division instruction	903

24.4.5	Interrupt request hold.....	905
CHAPTER 25	KEY INTERRUPT FUNCTION	906
25.1	Functions of Key Interrupt.....	906
25.2	Configuration of Key Interrupt	906
25.3	Register Controlling Key Interrupt.....	908
25.3.1	Key return control register (KRCTL).....	908
25.3.2	Key return mode register 0 (KRM0)	909
25.3.3	Key return flag register (KRF)	910
25.3.4	Port mode register 7 (PM7).....	911
CHAPTER 26	STANDBY FUNCTION	912
26.1	Standby Function	912
26.2	Registers controlling standby function.....	913
26.3	Standby Function Operation	914
26.3.1	HALT mode.....	914
26.3.2	STOP mode	921
26.3.3	SNOOZE mode.....	927
CHAPTER 27	RESET FUNCTION.....	931
27.1	Timing of Reset Operation.....	933
27.2	States of Operation During Reset Periods.....	935
27.3	Register for Confirming Reset Source	938
27.3.1	Reset control flag register (RESF)	938
27.3.2	Power-on-reset status register (PORSR)	941
27.3.3	RTC power-on-reset status register (RTCPORSR).....	941
27.3.4	Peripheral reset control register 0 (PRR0)	942
27.3.5	Peripheral reset control register 1 (PRR1)	943
27.3.6	Peripheral reset control register 2 (PRR2)	943
CHAPTER 28	POWER-ON-RESET CIRCUIT	944
28.1	Functions of Power-on-reset Circuit	944
28.2	Configuration of Power-on-reset Circuit.....	945
28.3	Operation of Power-on-reset Circuit.....	945
CHAPTER 29	VOLTAGE DETECTOR.....	949
29.1	Functions of Voltage Detector	949
29.2	Configuration of Voltage Detector	950
29.3	Registers Controlling Voltage Detector	953
29.3.1	Voltage detection register (LVIM).....	953

29.3.2	Voltage detection level register (LVIS).....	954
29.3.3	V _{DD} pin voltage detection control register (LVDVDD).....	958
29.3.4	VBAT pin voltage detection control register (LVDVBAT).....	959
29.3.5	V _{RTC} pin voltage detection control register (LVDVRTC).....	960
29.3.6	EXLVD pin voltage detection control register (LVDEXLVD).....	961
29.4	Operation of Voltage Detector.....	962
29.4.1	When used as reset mode.....	962
29.4.2	When used as interrupt mode.....	964
29.4.3	When used as interrupt and reset mode.....	966
29.4.4	Each power supply pin voltage detection setting procedure.....	971
29.5	Changing of LVD Detection Voltage Setting.....	975
29.5.1	Changing of LVD detection voltage setting in LVD reset mode.....	976
29.5.2	Changing of LVD detection voltage setting in LVD interrupt mode.....	977
29.5.3	Changing of each power supply pin LVD detection voltage setting.....	979
29.6	Cautions for Voltage Detector.....	980
CHAPTER 30	BATTERY BACKUP FUNCTION.....	983
30.1	Functions of Battery Backup.....	983
30.1.1	Pin configuration.....	985
30.2	Registers.....	986
30.2.1	Battery backup power switching control register 0 (BUPCTL0).....	986
30.2.2	Battery backup power switching control register 1 (BUPCTL1).....	988
30.2.3	Global digital input disable register (GDIDIS).....	988
30.3	Operation.....	989
30.3.1	Battery backup function.....	989
30.3.2	Using the battery backup function.....	993
30.4	Usage Notes.....	999
CHAPTER 31	OSCILLATION STOP DETECTOR.....	1000
31.1	Functions of Oscillation Stop Detector.....	1000
31.2	Configuration of Oscillation Stop Detector.....	1001
31.3	Registers Used by Oscillation Stop Detector.....	1002
31.3.1	Peripheral enable register 2 (PER2).....	1002
31.3.2	Peripheral reset control register 2 (PRR2).....	1003
31.3.3	Subsystem clock supply option control register (OSMC).....	1004
31.3.4	Oscillation stop detection control register (OSDC).....	1005
31.4	Operation of Oscillation Stop Detector.....	1006
31.4.1	How the oscillation stop detector operates.....	1006
31.5	Cautions on Using the Oscillation Stop Detector.....	1007
CHAPTER 32	SAFETY FUNCTIONS.....	1008

32.1	Overview of Safety Functions	1008
32.2	Registers Used by Safety Functions	1009
32.3	Operation of Safety Functions	1009
32.3.1	Flash memory CRC operation function (high-speed CRC)	1009
32.3.1.1	Flash memory CRC control register (CRC0CTL)	1010
32.3.1.2	Flash memory CRC operation result register (PGCRCL).....	1011
32.3.2	CRC operation function (general-purpose CRC).....	1013
32.3.2.1	CRC input register (CRCIN).....	1013
32.3.2.2	CRC data register (CRCD).....	1014
32.3.3	RAM parity error detection function.....	1015
32.3.3.1	RAM parity error control register (RPECTL).....	1015
32.3.4	RAM guard function	1017
32.3.4.1	Invalid memory access detection control register (IAWCTL).....	1017
32.3.5	SFR guard function	1018
32.3.5.1	Invalid memory access detection control register (IAWCTL).....	1018
32.3.6	Invalid memory access detection function.....	1019
32.3.6.1	Invalid memory access detection control register (IAWCTL).....	1020
32.3.7	Frequency detection function	1021
32.3.7.1	Timer input select register 0 (TIS0).....	1022
32.3.8	A/D test function.....	1023
32.3.8.1	A/D test register (ADTES).....	1024
32.3.8.2	Analog input channel specification register (ADS)	1025
32.3.9	Digital output signal level detection function for I/O ports.....	1026
32.3.9.1	Port mode select register (PMS).....	1026
CHAPTER 33	AES FUNCTIONS.....	1027
33.1	AES Functions	1027
CHAPTER 34	REGULATOR	1028
34.1	Regulator Overview	1028
34.2	Register Controlling Regulator	1029
34.2.1	Regulator mode control register (PMMC).....	1029
CHAPTER 35	OPTION BYTE.....	1030
35.1	Functions of Option Bytes.....	1030
35.1.1	User option byte (000C0H to 000C2H/010C0H to 010C2H)	1030
35.1.2	On-chip debug option byte (000C3H/ 010C3H)	1031
35.2	Format of User Option Byte.....	1032
35.3	Format of On-chip Debug Option Byte.....	1036
35.4	Setting of Option Byte.....	1037
CHAPTER 36	FLASH MEMORY.....	1038

36.1	Serial Programming Using Flash Memory Programmer.....	1039
36.1.1	Programming environment.....	1041
36.1.2	Communication mode	1041
36.2	Serial Programming Using External Device (that Incorporates UART)	1042
36.2.1	Programming environment.....	1042
36.2.2	Communication mode	1043
36.3	Connection of Pins on Board	1044
36.3.1	P40/TOOL0 pin	1044
36.3.2	RESET pin	1044
36.3.3	Port pins.....	1045
36.3.4	REGC pin.....	1045
36.3.5	X1 and X2 pins.....	1045
36.3.6	Power supply	1045
36.4	Programming Method.....	1046
36.4.1	Serial programming procedure.....	1046
36.4.2	Flash memory programming mode	1047
36.4.3	Selecting communication mode	1049
36.4.4	Communication commands.....	1050
36.5	Processing Time for Each Command When PG-FP5 Is in Use (Reference Value)	1052
36.6	Self-Programming.....	1053
36.6.1	Self-programming procedure	1054
36.6.2	Boot swap function.....	1055
36.6.3	Flash shield window function	1057
36.7	Security Settings	1058
36.8	Data Flash.....	1060
36.8.1	Data flash overview.....	1060
36.8.2	Register controlling data flash memory	1061
36.8.2.1	Data flash control register (DFLCTL)	1061
36.8.3	Procedure for accessing data flash memory	1062
CHAPTER 37	ON-CHIP DEBUG FUNCTION	1063
37.1	Connecting E1 On-chip Debugging Emulator	1063
37.2	On-Chip Debug Security ID.....	1066
37.3	Securing of User Resources	1066
CHAPTER 38	BCD CORRECTION CIRCUIT	1068
38.1	BCD Correction Circuit Function	1068
38.2	Registers Used by BCD Correction Circuit.....	1068
38.2.1	BCD correction result register (BCDADJ)	1068
38.3	BCD Correction Circuit Operation	1069

CHAPTER 39 32-BIT MULTIPLY-ACCUMULATOR	1071
39.1 Function of 32-bit Multiply-accumulator	1071
39.2 Configuration of 32-bit Multiply-accumulator	1072
39.2.1 Multiplication data register A (MUL32UH, MUL32UL, MUL32SH, MUL32SL, MAC32UH, MAC32UL, MAC32SH, MAC32SL)	1074
39.2.2 Multiplication data register B (MULBL, MULBH)	1075
39.2.3 Multiplication result register (MULR0, MULR1, MULR2, MULR3)	1076
39.3 Register Controlling 32-bit Multiply-accumulator	1078
39.3.1 Peripheral enable register 2 (PER2)	1078
39.3.2 Peripheral reset control register 2 (PRR2)	1078
39.3.3 Multiplication control register (MULC)	1079
39.4 Operations of 32-bit Multiply-accumulator	1081
39.4.1 Basic operation	1081
39.4.2 Number of clocks for result availability	1081
39.4.3 Switch of operation mode.....	1082
39.4.4 Multiplication operation	1082
39.4.5 Multiply-accumulation operation.....	1082
39.4.6 Fixed point mode	1083
39.4.7 Operation of fixed point mode	1084
39.4.8 Interrupt.....	1085
39.5 Operation of 32-bit Multiply-accumulator	1086
39.6 Precautions for 32-bit Multiply-accumulator	1090
39.6.1 Precautions during operation (MULST = 1).....	1090
CHAPTER 40 INSTRUCTION SET.....	1091
40.1 Conventions Used in Operation List	1091
40.1.1 Operand identifiers and specification methods	1091
40.1.2 Description of operation column.....	1092
40.1.3 Description of flag operation column.....	1093
40.1.4 PREFIX instruction.....	1093
40.2 Operation List	1094
CHAPTER 41 ELECTRICAL SPECIFICATIONS.....	1112
41.1 Absolute Maximum Ratings.....	1113
41.2 Oscillator Characteristics	1116
41.2.1 X1, XT1 oscillator characteristics	1116
41.2.2 On-chip oscillator characteristics	1117
41.2.3 PLL oscillator characteristics.....	1118
41.3 DC Characteristics.....	1119
41.3.1 Pin characteristics.....	1119

41.3.2	Supply current characteristics	1124
41.4	AC Characteristics.....	1133
41.5	Peripheral Functions Characteristics.....	1137
41.5.1	Serial array unit.....	1137
41.5.2	Serial interface IICA	1161
41.6	Analog Characteristics.....	1165
41.6.1	A/D converter characteristics	1165
41.6.2	24-bit $\Delta\Sigma$ A/D converter characteristics	1167
41.6.3	Temperature sensor 2 characteristics	1169
41.6.4	POR circuit characteristics	1170
41.6.5	LVD circuit characteristics.....	1170
41.6.6	Power supply voltage rising slope characteristics	1171
41.7	Battery Backup Function	1172
41.7.1	Power supply switching characteristics.....	1172
41.7.2	V _{DD} pin voltage detection characteristics	1173
41.7.3	V _{BAT} pin voltage detection characteristics	1174
41.7.4	V _{RTC} pin voltage detection characteristics	1175
41.7.5	EXLVD pin voltage detection	1176
41.8	LCD Characteristics	1177
41.8.1	Resistance division method	1177
41.8.2	Internal voltage boosting method	1178
41.8.3	Capacitor split method	1180
41.9	RAM Data Retention Characteristics	1181
41.10	Flash Memory Programming Characteristics.....	1181
41.11	Dedicated Flash Memory Programmer Communication (UART).....	1181
41.12	Timing Specs for Switching Flash Memory Programming Modes	1182
CHAPTER 42	PACKAGE DRAWINGS	1183
42.1	64-pin Products.....	1183
42.2	80-pin Products.....	1184
42.3	100-pin Products.....	1185

CHAPTER 1 OUTLINE

1.1 Features

Ultra-low power consumption technology

- <R>
- V_{DD} = single power supply voltage of 1.7 to 5.5 V^{Note 1}
 - HALT mode
 - STOP mode
 - SNOOZE mode

RL78 CPU core

- CISC architecture with 3-stage pipeline
- Minimum instruction execution time: Can be changed from high speed (0.03125 μ s: @ 32 MHz selection with PLL clock, 0.04167 μ s: @ 24 MHz selection with high-speed on-chip oscillator) to ultra-low speed (66.6 μ s: @ 15 kHz operation with low-speed on-chip oscillator)
- 16-bit multiplication, 16-bit multiply-accumulation, and 32-bit division are supported.
- Address space: 1 MB
- General-purpose registers: (8-bit register \times 8) \times 4 banks
- On-chip RAM: 6 KB to 16 KB

Code flash memory

- Code flash memory: 64 KB to 256 KB
- Block size: 1 KB
- Prohibition of block erase and rewriting (security function)
- On-chip debug function
- Self-programming (with boot swap function/flash shield window function)

Data flash memory

- Data flash memory: 2 KB
- Back ground operation (BGO): Instructions can be executed from the program memory while rewriting the data flash memory
- Number of rewrites: 1,000,000 times (TYP.)
- Voltage of rewrites: V_{DD} = 1.9 to 5.5 V

PLL clock^{Note 2}

- 32 MHz is selectable ($\Delta\Sigma$ A/D converter is operable even when the PLL clock is selected as a CPU clock.)

High-speed on-chip oscillator

- Select from 1 to 24 MHz (TYP.). However when it is used as a clock for the $\Delta\Sigma$ A/D converter, select from 24 MHz (TYP.), 12 MHz (TYP.), 6 MHz (TYP.), or 3 MHz (TYP.).
- High accuracy: $\pm 1.0\%$ (V_{DD} = 1.9 to 5.5 V, T_A = -20 to $+85^\circ\text{C}$)
- On-chip high-speed on-chip oscillator clock frequency correction function

<R> **Note 1.** The minimum operating voltage of this product varies according to the VBATEN setting value.

When VBATEN = 0, the minimum operating voltage is 1.7 V.

When VBATEN = 1, the minimum operating voltage is 1.9 V.

As well, the minimum operating voltage of VRTC is 1.6 V.

<R> **2.** R5F10NPJ, R5F10NMJ, R5F10NPG only.

Middle-speed on-chip oscillator

- Select from 4 MHz/2 MHz/1 MHz (However $\Delta\Sigma$ A/D converter is disabled.)

Operating ambient temperature

- $T_A = -40$ to $+85^\circ\text{C}$

Power management and reset function

- On-chip power-on-reset (POR) circuit for Internal V_{DD} ^{Note 1} power supply
- On-chip RTC power-on-reset (RTCPOR) circuit for VRTC power supply
- On-chip voltage detector (LVD) (Select interrupt and reset from 13 levels)

Voltage detective circuit

- Detective voltage for V_{DD} pin (Select interrupt from 6 levels)
- Detective voltage for VBAT pin (Select interrupt from 7 levels)
- Detective voltage for VRTC pin (Select interrupt from 4 levels)
- Detective voltage for EXLVD pin (Select interrupt from 1 level)

Data transfer controller (DTC)

- Transfer mode: Normal mode, repeat mode, block mode
- Activation source: Start by interrupt sources
- Chain transfer function

Event link controller (ELC)

- Event signals of 22 types can be linked to the specified peripheral function.

On-chip 32-bit multiplier and multiply-accumulator

- 32 bits \times 32 bits = 64 bits (Unsigned or signed)
- 32 bits \times 32 bits + 64 bits = 64 bits (Unsigned or signed)

Serial interface

- CSI: 2 to 3 channels
- UART/UART (LIN-bus supported): 2 to 3 channels
- UART/IrDA: 1 channel
- Simplified I²C communication: 2 to 3 channels
- I²C communication: 1 channel

Timer

- 16-bit timer: 8 channels
- 12-bit interval timer: 1 channel
- 8-bit interval timer: 4 channels
- Independent power supply RTC: 1 channel (calendar for 99 years, alarm function, and clock correction function)
- Watchdog timer: 1 channel
- Oscillation stop detection circuit: 1 channel

LCD controller/driver

- Internal voltage boosting method, capacitor split method, and external resistance division method are switchable
- Segment signal output: 19 (15)^{Note 2} to 42 (38)^{Note 2}
- Common signal output: 4 (8)^{Note 2}

- Note 1.** Either V_{DD} or VBAT is selected by the battery backup function.
- 2.** The values in parentheses are the number of signal outputs when 8 com is used.

Remark The functions mounted depend on the product. See **1.6 Outline of Functions**.

A/D converter

- 24-Bit $\Delta\Sigma$ A/D converter: 3 or 4 channels
- 8/10-bit resolution A/D converter ($V_{DD} = 1.9$ to 5.5 V): 4 or 6 channels
- Internal reference voltage (1.45 V) and temperature sensor

I/O port

- I/O port: 35 to 68 (N-ch open drain I/O [6 V tolerance]: 3, N-ch open drain I/O [V_{DD} tolerance^{Note 1}/EV_{DD} tolerance^{Note 2}]: 10 to 16)
- Can be set to N-ch open drain, TTL input buffer, and on-chip pull-up resistor
- Different potential interface: Can connect to a 1.8/2.5/3 V device
- On-chip clock output/buzzer output controller
- On-chip key interrupt function

AES circuit

- Cipher modes of operation: GCM/ECB/CBC
- Encryption key length: 128/192/256 bits

Others

- On-chip BCD (binary-coded decimal) correction circuit
- On-chip battery backup function

- Notes**
1. 64 pin products only
 2. 80 pin, 100 pin products only

Remark The functions mounted depend on the product. See **1.6 Outline of Functions**.

○ ROM, RAM capacities

	Code flash	Data flash	RAM	RL78/I1C		
				64 pins	80 pins	100 pins
	256 KB	2 KB	16 KB ^{Note 1}	-	R5F10NMJ	R5F10NPJ
<R>	128 KB	2 KB	8 KB ^{Note 2}	R5F10NLG	R5F10NMG	R5F10NPG
	64 KB	2 KB	6 KB	R5F10NLE	R5F10NME	-

Notes 1. This is about 15 KB when the self-programming function is used. (For details, refer to **CHAPTER 3**.)

2. This is about 7 KB when the self-programming function is used. (For details, refer to **CHAPTER 3**.)

1.2 List of Part Numbers

Figure 1-1. Part Number, Memory Size, and Package of RL78/I1C

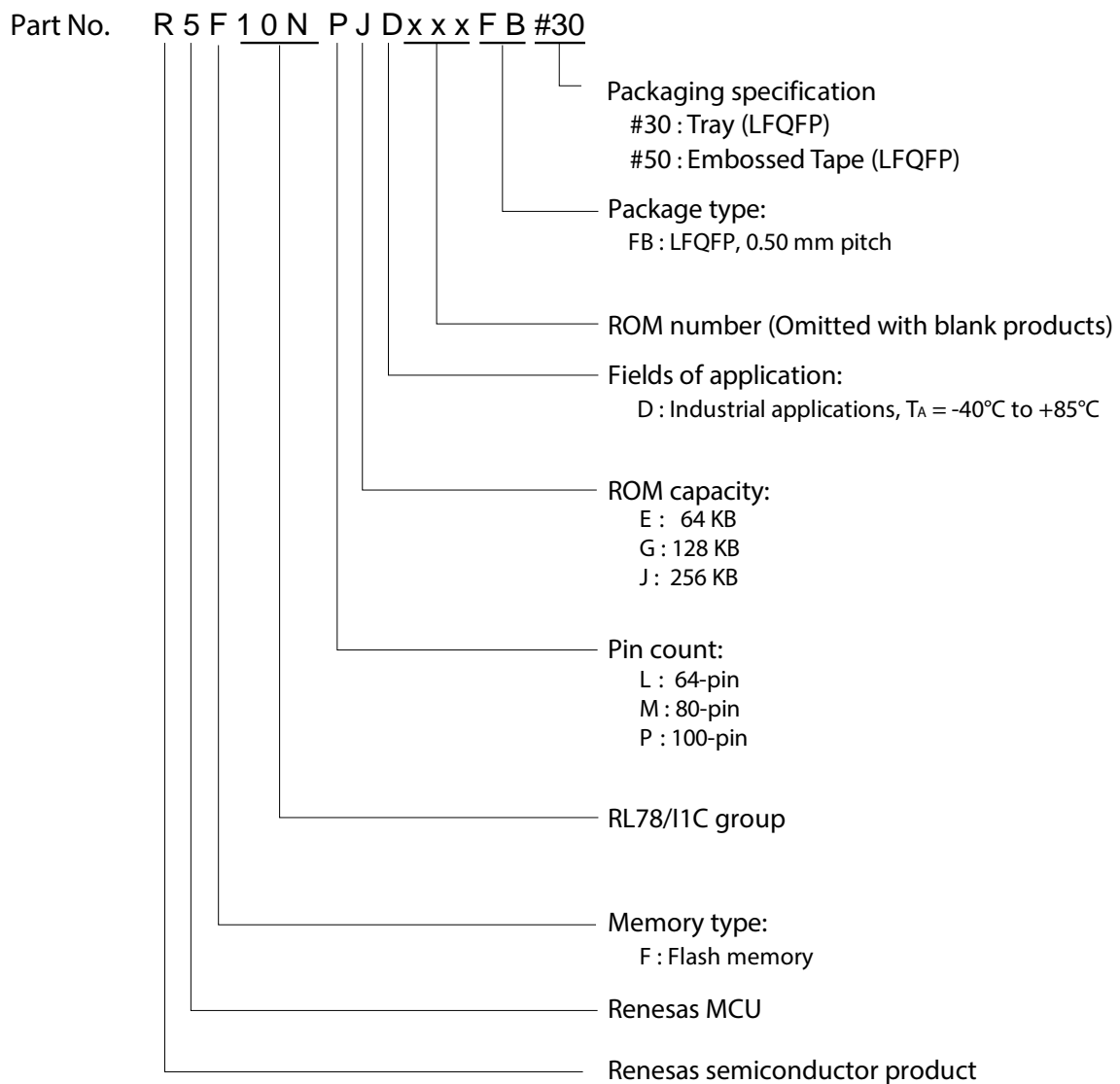


Table 1-1. List of Ordering Part Numbers

Pin count	Package	Data flash	Fields of Application ^{Note}	Ordering Part Number
<R> 64 pins	64-pin plastic LFQFP (10 × 10 mm, 0.5 mm pitch)	mounted	D	R5F10NLEDFB#30, R5F10NLGDFB#30, R5F10NLEDFB#50, R5F10NLGDFB#50
80 pins	80-pin plastic LFQFP (12 × 12 mm, 0.5 mm pitch)	mounted	D	R5F10NMEDFB#30, R5F10NMGDFB#30, R5F10NMJDFB#30, R5F10NMEDFB#50, R5F10NMGDFB#50, R5F10NMJDFB#50
<R> 100 pins	100-pin plastic LFQFP (14 × 14 mm, 0.5 mm pitch)	mounted	D	R5F10NPJDFB#30, R5F10NPGDFB#30, R5F10NPJDFB#50, R5F10NPGDFB#50

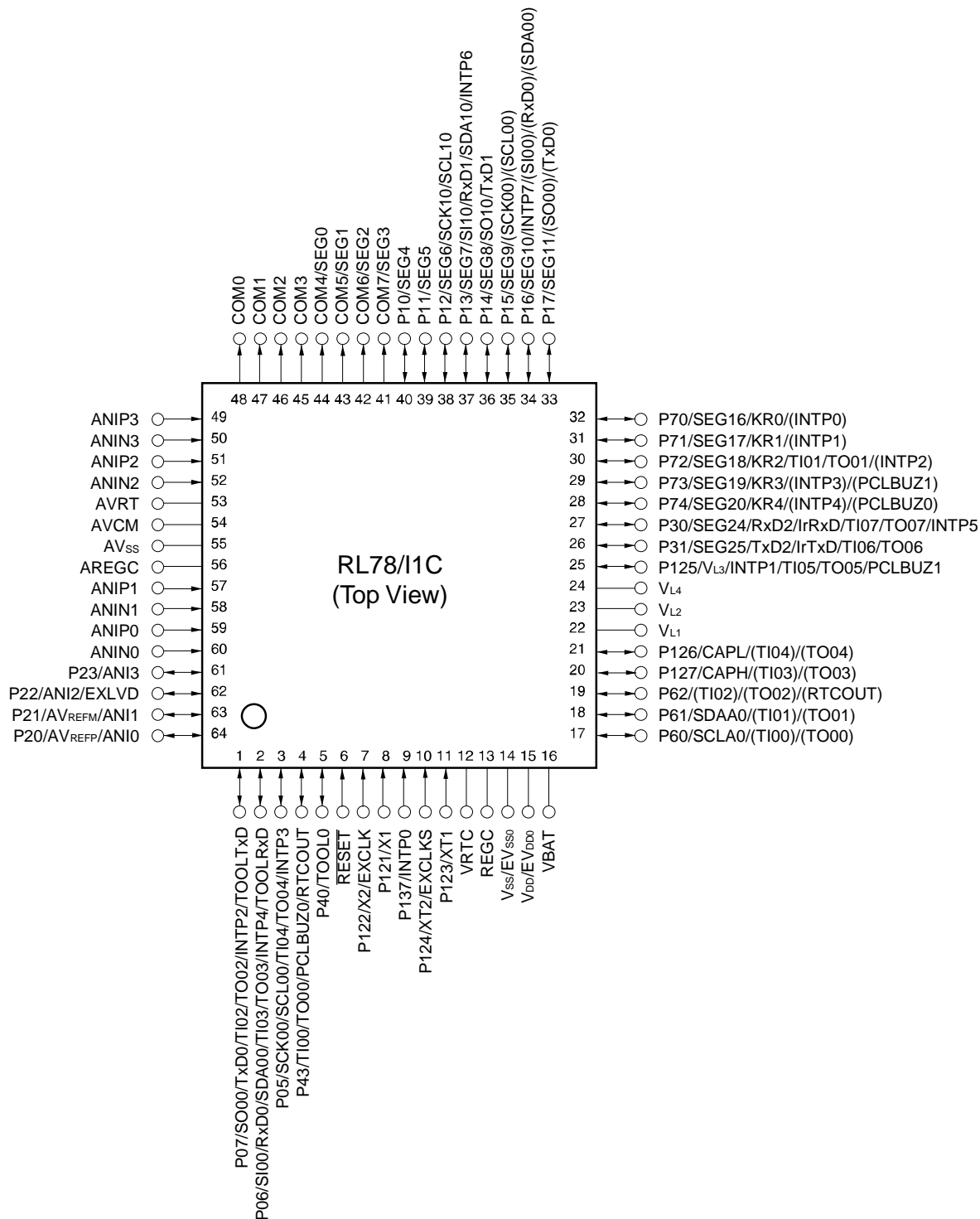
Note For the fields of application, see **Figure 1-1 Part Number, Memory Size, and Package of RL78/I1C**.

Caution The ordering part numbers represent the numbers at the time of publication. For the latest ordering part numbers, refer to the target product page of the Renesas Electronics website.

1.3 Pin Configuration (Top View)

1.3.1 64-pin products

- <R> • 64-pin plastic LFQFP (10 × 10 mm, 0.5 mm pitch)



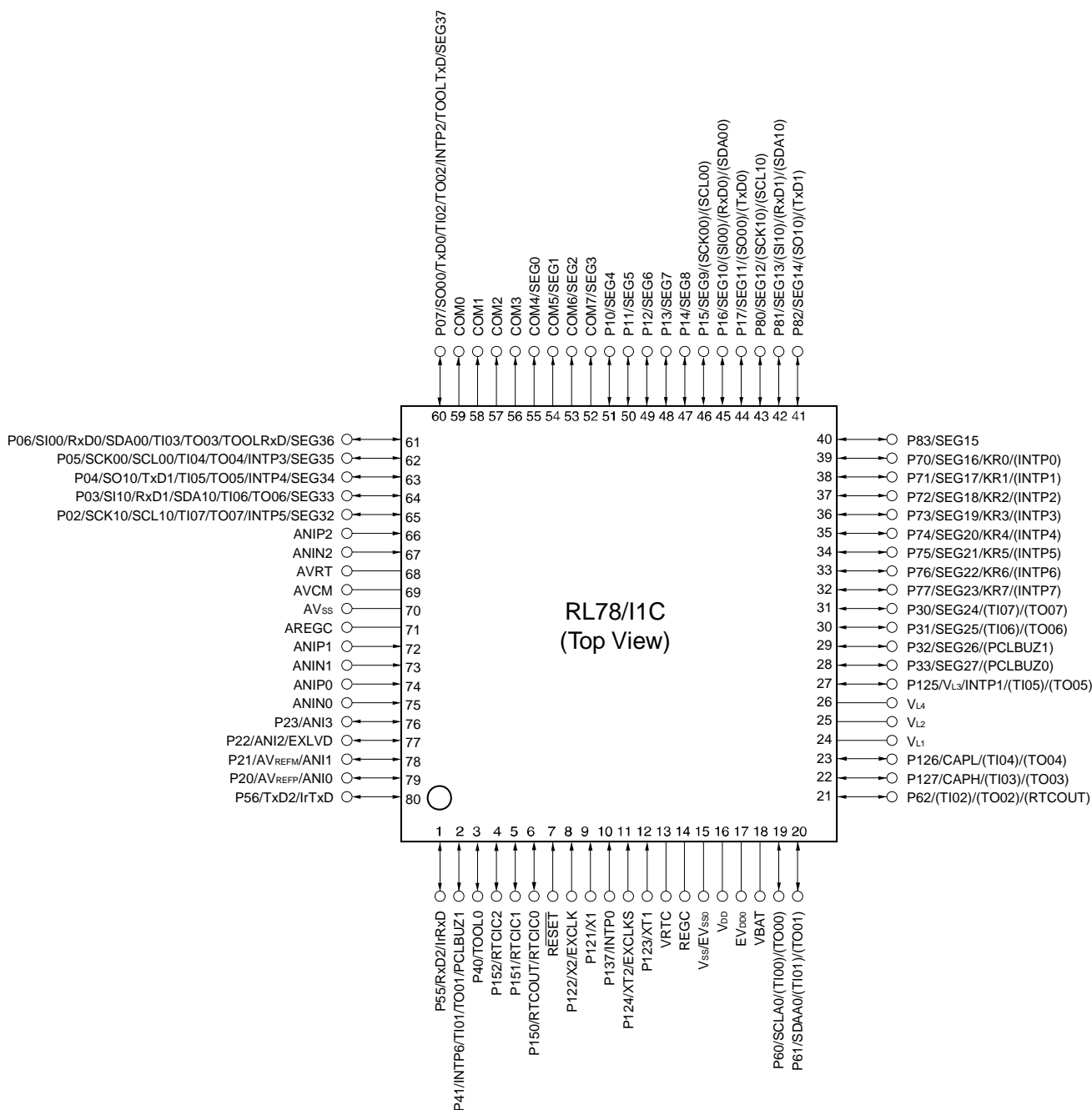
Caution Connect the REGC pin to V_{SS} via a capacitor (0.47 to 1 μF).

Remarks 1. For pin identification, see 1.4 Pin Identification.

2. Functions in parentheses in the above figure can be assigned via settings in the peripheral I/O redirection register (PIOR0). See Figure 4-8 Format of Peripheral I/O Redirection Register (PIOR0).

1.3.2 80-pin products

- <R> • 80-pin plastic LFQFP (12 × 12 mm, 0.5 mm pitch)

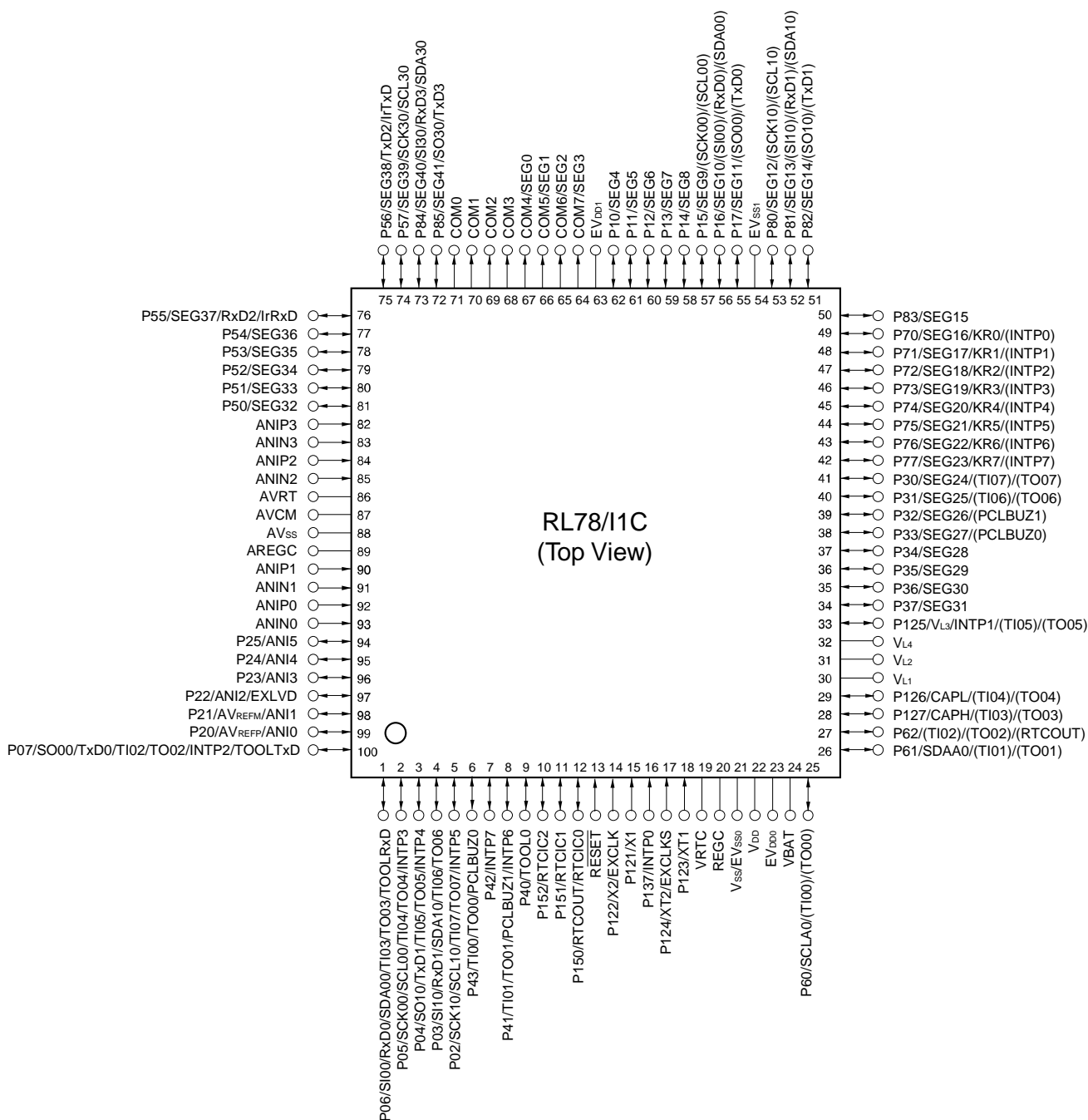


Caution Connect the REGC pin to V_{SS} via a capacitor (0.47 to 1 μF).

- Remarks**
- For pin identification, see 1.4 Pin Identification.
 - Functions in parentheses in the above figure can be assigned via settings in the peripheral I/O redirection register (PIOR0). See Figure 4-8 Format of Peripheral I/O Redirection Register (PIOR0).

1.3.3 100-pin products

- <R> • 100-pin plastic LQFP (14 × 14 mm, 0.5 mm pitch)



- Cautions**
1. Make EV_{SS1} the same potential as V_{SS}/EV_{SS0}.
 2. Make EV_{DD1} the same potential as EV_{DD0}.
 3. Connect the REGC pin to V_{SS} via a capacitor (0.47 to 1 μF).

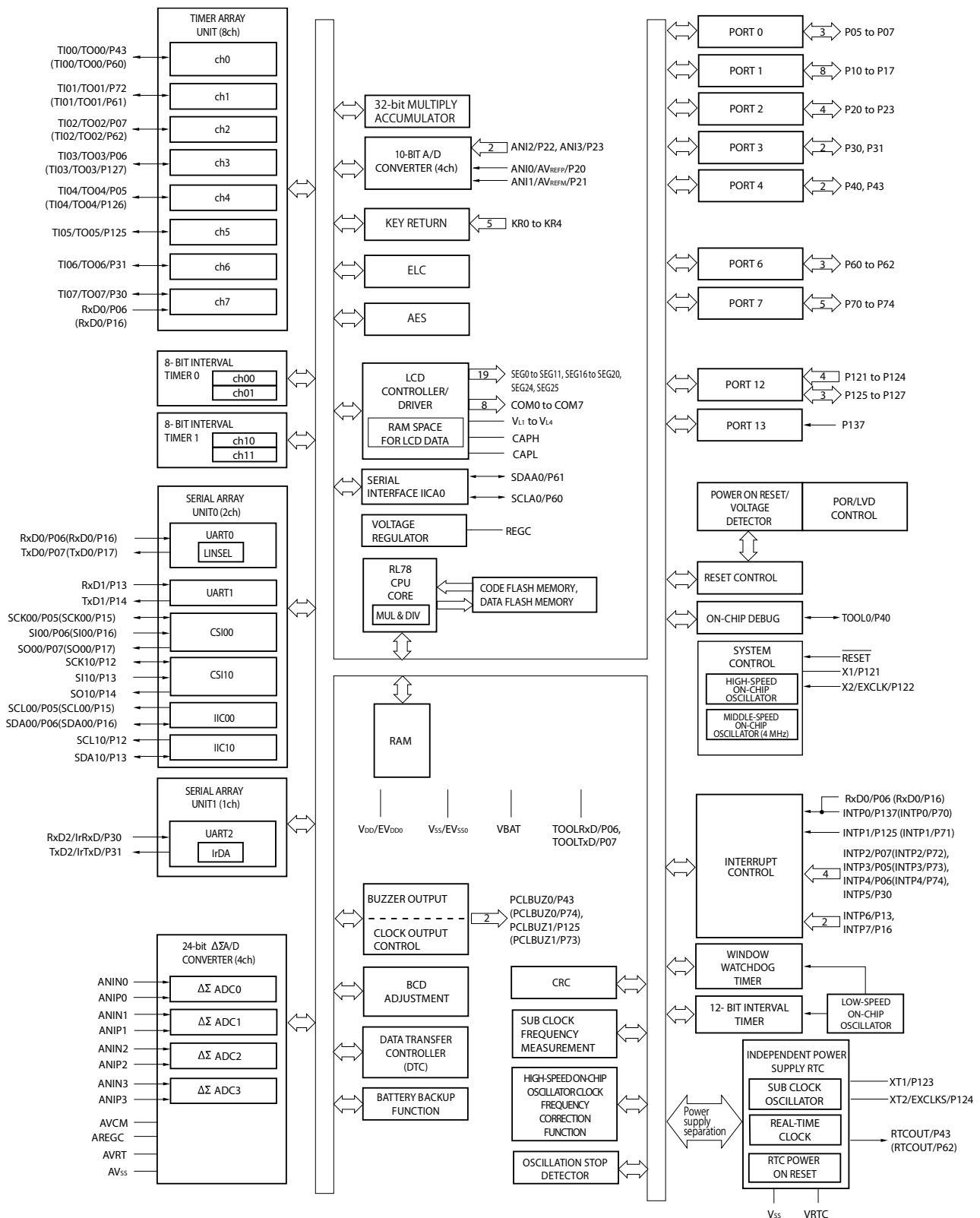
- Remarks**
1. For pin identification, see 1.4 Pin Identification.
 2. When using the microcontroller for an application where the noise generated inside the microcontroller must be reduced, it is recommended to supply separate powers to the V_{DD} and EV_{DD1} pins and connect the V_{SS} and EV_{SS1} pins to separate ground lines.
 3. Functions in parentheses in the above figure can be assigned via settings in the peripheral I/O redirection register (PIOR0). See Figure 4-8 Format of Peripheral I/O Redirection Register (PIOR0).

1.4 Pin Identification

ANI0 to ANI5:	Analog Input	P137:	Port 13
ANIN0 to ANIN3, ANIP0 to ANIP3:	Analog Input for $\Delta\Sigma$ ADC	P150 to P152:	Port 15
AREGC:	Regulator Capacitance for $\Delta\Sigma$ ADC	PCLBUZ0, PCLBUZ1:	Programmable Clock Output/Buzzer Output
AVCM:	Control for $\Delta\Sigma$ ADC	REGC:	Regulator Capacitance
AVREFM:	A/D Converter Reference Potential (– side) Input	RESET:	Reset
AVREFP:	A/D Converter Reference Potential (+ side) Input	RTCOUT:	Real-time Clock Correction Clock (1 Hz/64 Hz) Output
AVRT:	Reference Potential for $\Delta\Sigma$ ADC	RTCIC0 to RTCIC2:	RTC Time Capture Event Input
AVss:	Ground for $\Delta\Sigma$ ADC	RxD0 to RxD3:	Receive Data for UART
CAPH, CAPL:	Capacitor Connection	SCL00, SCL10, SCL30:	Serial Clock Output for Simplified IIC
<R>	for LCD Controller/Driver	SDA00, SDA10, SDA30:	Serial Data Input/Output for Simplified IIC
COM0 to COM7:	Common Signal Output for LCD Controller/Driver	SCLA0 :	Serial Clock Input/Output for IICA0
<R> EVDD0, EVDD1:	Power Supply for Port	SDAA0:	Serial Data Input/Output for IICA0
<R> EVSS0, EVSS1:	Ground for Port	SCK00, SCK10, SCK30:	Serial Clock Input/Output for CSI
EXCLK:	External Clock Input (Main System Clock)	SEG0 to SEG41:	Segment Signal Output for LCD Controller/Driver
EXCLKS:	External Clock Input (Subsystem clock)	SI00, SI10, SI30:	Serial Data Input for CSI
EXLVD:	External Input for Low Voltage Detector	SO00, SO10, SO30:	Serial Data Output for CSI
INTP0 to INTP7:	Interrupt Request From Peripheral	TI00 to TI07:	Timer Input
IrRxD:	Receive Data for IrDA	TO00 to TO07:	Timer Output
IrTxD:	Transmit Data for IrDA	TOOL0:	Data Input/Output for Tool
KR0 to KR7:	Key Return	TOOLRxD, TOOLTxD:	Data Input/Output for External Device
P02 to P07:	Port 0	TxD0 to TxD3:	Transmit Data for UART
P10 to P17:	Port 1	VBAT:	Battery Backup Power Supply
P20 to P25:	Port 2	VDD:	Power Supply
P30 to P37:	Port 3	VL1 to VL4:	Voltage for Driving LCD
P40 to P43:	Port 4	VRTC:	RTC Power Supply
P50 to P57:	Port 5	Vss:	Ground
P60 to P62:	Port 6	X1, X2:	Crystal Oscillator (Main System Clock)
P70 to P77:	Port 7	XT1, XT2:	Crystal Oscillator (Subsystem Clock)
P80 to P85:	Port 8		
P121 to P127:	Port 12		

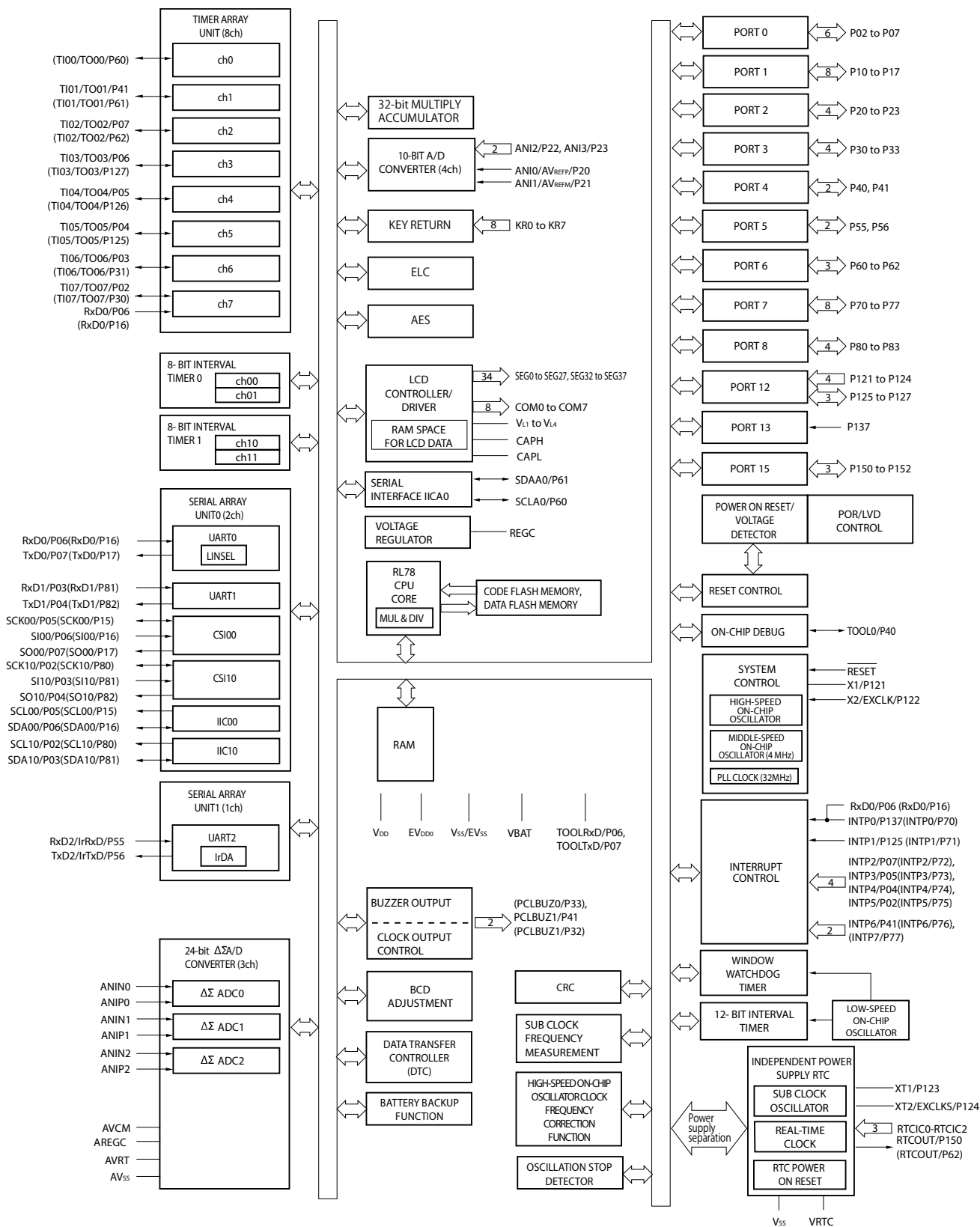
1.5 Block Diagram

1.5.1 64-pin products



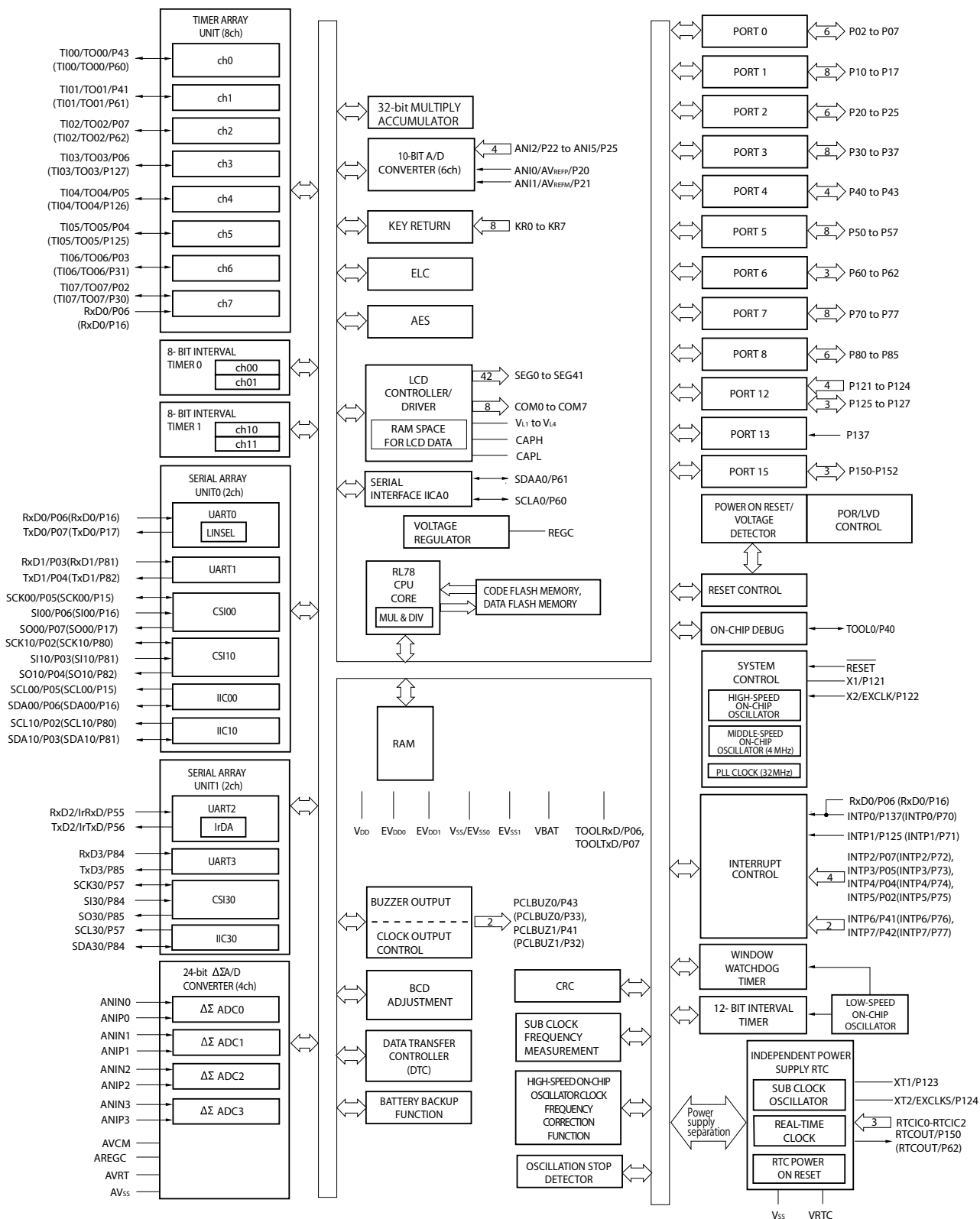
Remark Functions in parentheses in the above figure can be assigned via settings in the peripheral I/O redirection register (PIOR0). See **Figure 4-8 Format of Peripheral I/O Redirection Register (PIOR0)**.

1.5.2 80-pin products



Remark Functions in parentheses in the above figure can be assigned via settings in the peripheral I/O redirection register (PIOR0). See **Figure 4-8 Format of Peripheral I/O Redirection Register (PIOR0)**.

1.5.3 100-pin products



Remark Functions in parentheses in the above figure can be assigned via settings in the peripheral I/O redirection register (PIOR0). See **Figure 4-8 Format of Peripheral I/O Redirection Register (PIOR0)**.

1.6 Outline of Functions

(1/3)

Item		64-pin		80-pin			100-pin	
		R5F10NLEDFB	R5F10NLGDFB	R5F10NMEDFB	R5F10NMGDFB	R5F10NMJDFB	R5F10NPGDFB	R5F10NPJDFB
<R>	Code flash memory (KB)	64 KB	128 KB	64 KB	128 KB	256 KB	128 KB	256 KB
	Data flash memory (KB)	2 KB						
	RAM (KB)	6 KB	8 KB ^{Note 1}	6 KB	8 KB ^{Note 1}	16 KB ^{Note 2}	8 KB ^{Note 1}	16 KB ^{Note 2}
	Address space	1 MB						
<R>	Main system clock	High-speed system clock X1 (crystal/ceramic) oscillation, external main system clock input (EXCLK) HS (High-speed main) mode: 1 to 20 MHz ($V_{DD} = 2.7$ to 5.5 V), HS (High-speed main) mode: 1 to 16 MHz ($V_{DD} = 2.5$ to 5.5 V), HS (High-speed main) mode: 1 to 12 MHz ($V_{DD} = 2.4$ to 5.5 V), HS (High-speed main) mode: 1 to 6 MHz ($V_{DD} = 2.1$ to 5.5 V), LS (Low-speed main) mode: 1 to 8 MHz ($V_{DD} = 1.9$ to 5.5 V), LV (Low-voltage main) mode: 1 to 4 MHz ($V_{DD} = 1.7$ to 5.5 V), LP (Low-power main) mode: 1 MHz ($V_{DD} = 1.9$ to 5.5 V)						
	High-speed on-chip oscillator clock (f_{IH}) MAX.: 24 MHz	HS (High-speed main) mode: 1 to 24 MHz ($V_{DD} = 2.7$ to 5.5 V), HS (High-speed main) mode: 1 to 16 MHz ($V_{DD} = 2.5$ to 5.5 V), HS (High-speed main) mode: 1 to 12 MHz ($V_{DD} = 2.4$ to 5.5 V), HS (High-speed main) mode: 1 to 6 MHz ($V_{DD} = 2.1$ to 5.5 V),						
	Middle-speed on-chip oscillator clock (f_{IM}) MAX.: 4 MHz	LS (Low-speed main) mode: 1 to 8 MHz ($V_{DD} = 1.9$ to 5.5 V), LV (Low-voltage main) mode: 1 to 4 MHz ($V_{DD} = 1.7$ to 5.5 V), LP (Low-power main) mode: 1 MHz ($V_{DD} = 1.9$ to 5.5 V)						
	PLL clock (f_{PLL})	-				HS (High-speed main) mode: 32 MHz ($V_{DD} = 2.8$ to 5.5 V)		
	Subsystem clock	Subsystem clock oscillator clock (f_{SX}) XT1 (crystal) oscillation, external subsystem clock input (EXCLKS) 32.768 kHz (TYP.): $V_{DD} = 1.7$ to 5.5 V						
	Low-speed on-chip oscillator clock (f_{IL})	15 kHz (TYP.): $V_{DD} = 1.7$ to 5.5V						
	High-speed on-chip oscillator clock frequency correction function	Correct the frequency of the high-speed on-chip oscillator clock by the subsystem clock.						
	General-purpose register	8 bits × 8 registers × 4 banks						
	Minimum instruction execution time	0.03125 μ s (PLL clock: $f_{PLL} = 32$ MHz selection)						
		0.04167 μ s (High-speed on-chip oscillator: $f_{IH} = 24$ MHz operation)						
		30.5 μ s (Subsystem clock: $f_{SUB} = 32.768$ kHz operation)						
		66.6 μ s (Low-speed on-chip oscillator: $f_{IL} = 15$ kHz operation)						
	Instruction set	<ul style="list-style-type: none"> • Data transfer (8/16 bits) • Adder and subtractor/logical operation (8/16 bits) • Multiplication (16 bits × 16 bits), division (32 bits ÷ 32 bits) • Multiplication and accumulation (16 bits × 16 bits + 32 bits) • Rotate, barrel shift, and bit manipulation (set, reset, test, and boolean operation), etc. 						
	I/O port	Total		52			68	
		CMOS I/O		44			60	
		CMOS input		5			5	
		CMOS output		-			-	
		N-ch O.D I/O (6 V tolerance)		3			3	

Notes 1. In the case of the 8 KB, this is about 7 KB when the self-programming function is used.

2. In the case of the 16 KB, this is about 15 KB when the self-programming function is used.

(2/3)

Item		64-pin		80-pin			100-pin	
		R5F10NLEDFB	R5F10NLGDFB	R5F10NMEDFB	R5F10NMGDFB	R5F10NMJDFB	R5F10NPGDFB	R5F10NPJDFB
<R>	Timer	16-bit timer TAU	8 channels					
	Watchdog timer	1 channel						
	12-bit interval timer	1 channel						
	8/16-bit interval timer	4 channels (8-bit)/2 channels (16-bit)						
	Independent power supply real-time clock (RTC)	1 channel						
	Oscillation stop detection circuit	1 channel						
	Timer output	Timer outputs: 8 channels PWM outputs: 7 ^{Note 1}						
	RTC output	1 channel • 1 Hz/64 Hz (subsystem clock: f _{SUB} = 32.768 kHz)						
	RTC time capture input	-	3 channels					
Clock output/buzzer output		2 • 2.44 kHz, 4.88 kHz, 9.76 kHz, 1.25 MHz, 2.5 MHz, 5 MHz, 10 MHz (Main system clock: f _{MAIN} = 20 MHz operation) • 256 Hz, 512 Hz, 1.024 kHz, 2.048 kHz, 4.096 kHz, 8.192 kHz, 16.384 kHz, 32.768 kHz (Subsystem clock: f _{SUB} = 32.768 kHz operation)						
10-bit resolution A/D converter		4 channels	4 channels			6 channels		
24-Bit ΔΣ A/D Converter		4 channels	3 channels			4 channels		
	SNDR	Typ. 80 dB (gain ×1) Min. 69 dB (gain ×16) Min. 65 dB (gain ×32)						
	Sampling frequency	3.906 kHz/1.953 kHz						
	PGA	×1, ×2, ×4, ×8, ×16, ×32						
Serial interface	CSI/UART/simplified I ² C:	2 channels	2 channels			3 channels		
	UART/IrDA	1 channel						
	I ² C bus	1 channel						
32-bit multiplier and multiply-accumulator		32 bits × 32 bits = 64 bits (Unsigned or signed) (5 clock) 32 bits × 32 bits + 64 bits = 64 bits (Unsigned or signed) (5 clock)						
<R>	Data transfer controller (DTC)		38 sources					
Event link controller (ELC)	Event input	9						
	Event trigger input	13						
LCD controller/driver		Internal voltage boosting method, capacitor split method, and external resistance division method are switchable.						
	Segment signal output	19 (15) ^{Note 2}	34 (30) ^{Note 2}			42 (38) ^{Note 2}		
	Common signal output	4 (8) ^{Note 2}						
Vectored interrupt sources	Internal	41	41			44		
	External	9	12			12		

Notes 1. The number of outputs varies, depending on the setting of channels in use and the number of the master (see **8.9.3 Operation as multiple PWM output function**).

2. The values in parentheses are the number of signal outputs when 8 com is used.

(3/3)

Item	64-pin		80-pin			100-pin	
	R5F10NLEDFB	R5F10NLGDFB	R5F10NMEDFB	R5F10NMGDFB	R5F10NMJDFB	R5F10NPGDFB	R5F10NPJDFB
<R> Key interrupt input	5			8			
AES circuit	Cipher modes of operation: GCM/ECB/CBC Encryption key length: 128/192/256-bit						
<R> Reset	MCU	<ul style="list-style-type: none"> Reset by RESET pin Internal reset by watchdog timer Internal reset by power-on-reset of internal V_{DD}^{Note 1} power supply Internal reset by voltage detector of internal V_{DD}^{Note 1} power supply Internal reset by illegal instruction execution^{Note 2} Internal reset by RAM parity error Internal reset by illegal-memory access 					
	RTC	<ul style="list-style-type: none"> RTC circuit reset by RTC Power-on-reset 					
Power-on-reset circuit	Internal V_{DD} <small>Note 1</small>	<ul style="list-style-type: none"> Power-on-reset: 1.51 V (TYP.) Power-down-reset: 1.50 V (TYP.) 					
	VRTC	<ul style="list-style-type: none"> RTC Power-on-reset: 1.52 V (TYP.) RTC Power-down-reset: 1.50 V (TYP.) 					
Voltage detector	Internal V_{DD} <small>Note 1</small>	<ul style="list-style-type: none"> Rising edge: 1.77 V to 4.06 V (13 stages) Falling edge: 1.73 V to 3.98 V (13 stages) 					
	V_{DD}	<ul style="list-style-type: none"> Rising edge: 2.54 V to 3.78 V (6 stages) Falling edge: 2.47 V to 3.71 V (6 stages) 					
	VBAT	<ul style="list-style-type: none"> Rising edge: 2.12 V to 2.74 V (7 stages) Falling edge: 2.06 V to 2.68 V (7 stages) 					
	VRTC	<ul style="list-style-type: none"> Rising edge: 2.22 V to 2.84 V (4 stages) Falling edge: 2.16 V to 2.78 V (4 stages) 					
	EXLVD	<ul style="list-style-type: none"> Rising edge: 1.33 V Falling edge: 1.28 V 					
Battery backup function	CPU	V_{DD} /VBAT					
	$\Delta\Sigma$ A/D Converter	V_{DD} /VBAT					
	RTC	VRTC (independent power supply)					
On-chip debug function	Provided						
Power supply voltage	$V_{DD} = 1.7$ to 5.5 V						
Operating ambient temperature	$T_A = -40$ to +85 °C						

Notes 1. Either V_{DD} or VBAT is selected by the battery backup function.

2. This reset occurs when instruction code FFH is executed.

This reset does not occur during emulation using an in-circuit emulator or an on-chip debugging emulator.

CHAPTER 2 PIN FUNCTIONS

2.1 Port Function List

Pin I/O buffer power supplies depend on the product. The relationship between these power supplies and the pins is shown below.

Table 2-1. Pin I/O Buffer Power Supplies

(1) 64-pin products

Power Supply	Corresponding Pins
V _{DD}	Port pins other than P20 to P23, P121 to P124, and P137 ^{Note 1}
V _{DD} or V _{BAT} ^{Notes 2, 3}	<ul style="list-style-type: none"> • P20 to P23, P121, P122, and P137 • $\overline{\text{RESET}}$, REGC • ANIP0 to ANIP3, ANIN0 to ANIN3
VRTC	P123, P124

(2) 80-pin products

Power Supply	Corresponding Pins
EV _{DD}	Port pins other than P20 to P23, P121 to P124, P137 and P150 to P152 ^{Note 1}
V _{DD} or V _{BAT} ^{Notes 2, 3}	<ul style="list-style-type: none"> • P20 to P23, P121, P122, P137, and P150 to P152 • RTCIC0 to RTCIC2 • $\overline{\text{RESET}}$, REGC • ANIP0 to ANIP2, ANIN0 to ANIN2
VRTC	P123, P124

(3) 100-pin products

Power Supply	Corresponding Pins
EV _{DD0}	Port pins other than P20 to P25, P121 to P124, P137 and P150 to P152 ^{Note 1}
V _{DD} or V _{BAT} ^{Notes 2, 3}	<ul style="list-style-type: none"> • P20 to P25, P121, P122, P137 and P150 to P152 • RTCIC0 to RTCIC2 • $\overline{\text{RESET}}$, REGC • ANIP0 to ANIP3, ANIN0 to ANIN3
VRTC	P123, P124

- Notes**
1. When using the battery backup function, the power supply of the internal I/O buffer of this pin is powered from the V_{DD} pin even when switch to power from V_{BAT} pin. If the power of the V_{DD} pin is lost, make sure the input voltage does not exceed the absolute maximum rating.
 2. The power supply pin for the I/O buffers can be switched between V_{DD} and V_{BAT} by using the battery backup function.
 3. The input/output signal voltage of the pin that is defined as "V_{DD} or V_{BAT}" must match the supply voltage of the I/O buffer.

Set in each port I/O, buffer, pull-up resistor is also valid for alternate functions.

2.1.1 64-pin products

(1/2)

Function Name	Pin Type	I/O	After Reset Released	Alternate Function	Function
P05	8-5-10	I/O	Input port	SCK00/SCL00/TI04/ TO04/INTP3	Port 0. 3-bit I/O port. Input/output can be specified in 1-bit units. Use of an on-chip pull-up resistor can be specified by software setting at input port. Input of P05 and P06 can be set to TTL input buffer. Output of P05 to P07 can be set to N-ch open-drain output (V_{DD} tolerance).
P06				SI00/RxD0/TI03/TO03/ SDA00/INTP4/TOOLRxD	
P07				7-5-10	
P10	7-5-4	I/O	Digital input invalid ^{Note 1}	SEG4	Port 1. 8-bit I/O port. Input/output can be specified in 1-bit units. Use of an on-chip pull-up resistor can be specified by software setting at input port. Input of P12, P13, P15, and P16 can be set to TTL input buffer. Output of P12 to P17 can be set to N-ch open-drain output (V_{DD} tolerance). Can be set to LCD output ^{Note 2} .
P11				SEG5	
P12	8-5-10			SEG6/SCK10/SCL10	
P13				SEG7/INTP6/SI10/RxD1/ SDA10/	
P14	7-5-10			SEG8/SO10/TxD1	
P15	8-5-10			SEG9/(SCK00)/(SCL00)	
P16				SEG10/INTP7/(SI00)/ (RxD0)/(SDA00)	
P17	7-5-10			SEG11/(SO00)/(TxD0)	
P20	4-3-3	I/O	Analog input port	AV _{REFP} /ANI0	Port 2. 4-bit I/O port. Input/output can be specified in 1-bit units. Can be set to analog input ^{Note 3} .
P21				AV _{REFM} /ANI1	
P22	4-17-1			ANI2/EXLVD	
P23	4-3-3			ANI3	
P30	8-5-10	I/O	Digital input invalid ^{Note 1}	SEG24/INTP5/TI07/ TO07/RxD2/IrRxD	Port3. 2-bit I/O port. Input/output can be specified in 1-bit units. Use of an on-chip pull-up resistor can be specified by software setting at input port. Can be set to LCD output ^{Note 2} . Input of P30 can be set to TTL input buffer. Output of P31 can be set to N-ch open drain output (V_{DD} tolerance).
P31	7-5-10			SEG25/TI06/TO06/TxD2/ IrTxD	

- Notes**
1. "Digital input invalid" refers to the state in which all the digital outputs, digital inputs, and LCD outputs are disabled.
 2. Digital or LCD for each pin can be selected with the port mode register x (PMx) and the LCD port function register x (PFSEGx) (can be set in 1-bit unit).
 3. Setting digital or analog to each pin can be done in A/D port configuration register (ADPC).

Remark Functions in parentheses in the above figure can be assigned via settings in the peripheral I/O redirection register (PIOR0). See **Figure 4-8 Format of Peripheral I/O Redirection Register (PIOR0)**.

(2/2)

Function Name	Pin Type	I/O	After Reset Released	Alternate Function	Function																																																												
P40	7-1-3	I/O	Input port	TOOL0	Port 4. 2-bit I/O port. Input/output can be specified in 1-bit units. Use of an on-chip pull-up resistor can be specified by a software setting at input port.																																																												
P43				TI00/TO00/PCLBUZ0/ RTCOUT		P60	12-1-2	I/O	Input port	SCLA0/(TI00)/(TO00)	Port 6. 3-bit I/O port. Input/output can be specified in 1-bit units. Output of P60 to P62 can be set to N-ch open-drain output (6 V tolerance).	P61	SDAA0/(TI01)/(TO01)	P62	12-1-1			(TI02)/(TO02)/ (RTCOUT)		P70	7-5-4	I/O	Digital input invalid ^{Note 1}	SEG16/KR0/(INTP0)	Port 7. 5-bit I/O port. Input/output can be specified in 1-bit units. Use of an on-chip pull-up resistor can be specified by a software setting at input port. Can be set to LCD output ^{Note 2} .	P71	SEG17/KR1/(INTP1)	P72	SEG18/KR2/TI01/ TO01/(INTP2)	P73	SEG19/KR3/(INTP3)/ (PCLBUZ1)	P74	SEG20/KR4/(INTP4)/ (PCLBUZ0)	P121	2-2-1	Input	Input port	X1	Port 12. 3-bit I/O port and 4-bit input only port. For only P125 to P127, input/output can be specified in 1-bit units. For only P125 to P127, use of an on-chip pull-up resistor can be specified by a software setting at input port. P125 to P127 can be set to LCD output ^{Note 2} .	P122	X2/EXCLK	P123	XT1	P124	XT2/EXCLKS	P125	7-5-6	I/O	Digital input invalid ^{Note 1}	V _{L3} /INTP1/TI05/TO05/ PCLBUZ1		P126	7-5-5	CAPL/(TI04)/(TO04)	P127		CAPH/(TI03)/(TO03)	P137	2-1-2	Input	Input port	INTP0	Port 13. 1-bit input only port.	RESET	3-1-1
P60	12-1-2	I/O	Input port	SCLA0/(TI00)/(TO00)	Port 6. 3-bit I/O port. Input/output can be specified in 1-bit units. Output of P60 to P62 can be set to N-ch open-drain output (6 V tolerance).																																																												
P61				SDAA0/(TI01)/(TO01)																																																													
P62	12-1-1			(TI02)/(TO02)/ (RTCOUT)																																																													
P70	7-5-4	I/O	Digital input invalid ^{Note 1}	SEG16/KR0/(INTP0)	Port 7. 5-bit I/O port. Input/output can be specified in 1-bit units. Use of an on-chip pull-up resistor can be specified by a software setting at input port. Can be set to LCD output ^{Note 2} .																																																												
P71				SEG17/KR1/(INTP1)																																																													
P72				SEG18/KR2/TI01/ TO01/(INTP2)																																																													
P73				SEG19/KR3/(INTP3)/ (PCLBUZ1)																																																													
P74				SEG20/KR4/(INTP4)/ (PCLBUZ0)																																																													
P121	2-2-1	Input	Input port	X1	Port 12. 3-bit I/O port and 4-bit input only port. For only P125 to P127, input/output can be specified in 1-bit units. For only P125 to P127, use of an on-chip pull-up resistor can be specified by a software setting at input port. P125 to P127 can be set to LCD output ^{Note 2} .																																																												
P122				X2/EXCLK																																																													
P123				XT1																																																													
P124				XT2/EXCLKS																																																													
P125	7-5-6	I/O	Digital input invalid ^{Note 1}	V _{L3} /INTP1/TI05/TO05/ PCLBUZ1																																																													
P126	7-5-5			CAPL/(TI04)/(TO04)																																																													
P127				CAPH/(TI03)/(TO03)																																																													
P137	2-1-2	Input	Input port	INTP0	Port 13. 1-bit input only port.																																																												
RESET	3-1-1	Input	–	–	Input only pin for external reset. Use of an on-chip pull-up resistor can be always specified. When external reset is not used, leave open.																																																												

Notes 1. “Digital input invalid” refers to the state in which all the digital outputs, digital inputs, and LCD outputs are disabled.

- 2.** Digital or LCD for each pin can be selected with the port mode register x (PMx) and the LCD port function register x (PFSEGx) (can be set in 1-bit unit).

Remark Functions in parentheses in the above figure can be assigned via settings in the peripheral I/O redirection register (PIOR0). See **Figure 4-8 Format of Peripheral I/O Redirection Register (PIOR0)**.

2.1.2 80-pin products

(1/3)

Function Name	Pin Type	I/O	After Reset Released	Alternate Function	Function
P02	8-5-10	I/O	Digital input invalid ^{Note 1}	SEG32/SCK10/SCL10/TI07/TO07/INTP5	Port 0. 6-bit I/O port. Input/output can be specified in 1-bit units. Use of an on-chip pull-up resistor can be specified by a software setting at input port. Input of P02, P03, P05, and P06 can be set to TTL input buffer. Output of P02 to P07 can be set to N-ch open-drain output (EV _{DD} tolerance).
P03				SEG33/SI10/RxD1/TI06/TO06/SDA10	
P04	7-5-10			SEG34/SO10/TxD1/TI05/TO05/INTP4	
P05	8-5-10			SEG35/SCK00/SCL00/TI04/TO04/INTP3	
P06				SEG36/SI00/RxD0/TI03/TO03/SDA00/TOOLRxD	
P07	7-5-10			SEG37/SO00/TxD0/TI02/TO02/INTP2/TOOLTxD	
P10	7-5-4			I/O	
P11		SEG5			
P12	SEG6				
P13	SEG7				
P14	SEG8				
P15	8-5-10	SEG9/(SCK00)/(SCL00)			
P16		SEG10/(SI00)/(RxD0)/(SDA00)			
P17	7-5-10	SEG11/(SO00)/(TxD0)			
P20	4-3-3	I/O	Analog input port		AV _{REFP} /ANI0
P21				AV _{REFM} /ANI1	
P22	4-17-1			ANI2/EXVLD	
P23	4-3-3			ANI3	
P30	7-5-4	I/O	Digital input invalid ^{Note 1}	SEG24/(TI07)/(TO07)	Port 3. 4-bit I/O port. Input/output can be specified in 1-bit units. Use of an on-chip pull-up resistor can be specified by a software setting at input port. Can be set to LCD output ^{Note 2} .
P31				SEG25/(TI06)/(TO06)	
P32				SEG26/(PCLBUZ1)	
P33				SEG27/(PCLBUZ0)	
P40	7-1-3	I/O	Input port	TOOL0	Port 4. 2-bit I/O port. Input/output can be specified in 1-bit units. Use of an on-chip pull-up resistor can be specified by a software setting at input port.
P41	8-1-3			TI01/TO01/PCLBUZ1/INTP6	

Notes 1. "Digital input invalid" refers to the state in which all the digital outputs, digital inputs, and LCD outputs are disabled.

- Digital or LCD for each pin can be selected with the port mode register x (PMx) and the LCD port function register x (PFSEGx) (can be set in 1-bit unit).
- Setting digital or analog to each pin can be done in A/D port configuration register (ADPC).

Remark Functions in parentheses in the above figure can be assigned via settings in the peripheral I/O redirection register (PIOR0). See **Figure 4-8 Format of Peripheral I/O Redirection Register (PIOR0)**.

(2/3)

Function Name	Pin Type	I/O	After Reset Released	Alternate Function	Function																																																		
P55	8-5-10	I/O	Input port	RxD2/IrRxD	Port 5. 2-bit I/O port. Input/output can be specified in 1-bit units. Use of an on-chip pull-up resistor can be specified by a software setting at input port. Input of P55 can be set to TTL input buffer. Output of P56 can be set to N-ch open-drain output (EV _{DD} tolerance).																																																		
P56				TxD2/IrTxD		P60	12-1-2	I/O	Input port	SCLA0/(TI00)/(TO00)	Port 6. 3-bit I/O port. Input/output can be specified in 1-bit units. Output of P60 to P62 can be set to N-ch open-drain output (6 V tolerance).	P61	SDAA0/(TI01)/(TO01)	P62	12-1-1			(TI02)/(TO02)/ (RTCOUT)		P70	7-5-4	I/O	Digital input invalid ^{Note 1}	SEG16/KR0/(INTP0)	Port 7. 8-bit I/O port. Input/output can be specified in 1-bit units. Use of an on-chip pull-up resistor can be specified by a software setting at input port. Can be set to LCD output ^{Note 2} .	P71	SEG17/KR1/(INTP1)	P72	SEG18/KR2/(INTP2)	P73	SEG19/KR3/(INTP3)	P74	SEG20/KR4/(INTP4)	P75	SEG21/KR5/(INTP5)	P76	SEG22/KR6/(INTP6)	P77	SEG23/KR7/(INTP7)	P80	8-5-10	I/O	Digital input invalid ^{Note 1}	SEG12/(SCL10)/ (SCK10)	Port 8. 4-bit I/O port. Input/output can be specified in 1-bit units. Use of an on-chip pull-up resistor can be specified by a software setting at input port. Input of P80 and P81 can be set to TTL input buffer. Output of P80 to P82 can be set to N-ch open-drain output (EV _{DD} tolerance). Can be set to LCD output ^{Note 2} .	P81	SEG13/(RxD1)/ (SDA10)/(SI10)	P82	7-5-10			SEG14/(TxD1)/(SO10)		P83	7-5-4
P60	12-1-2	I/O	Input port	SCLA0/(TI00)/(TO00)	Port 6. 3-bit I/O port. Input/output can be specified in 1-bit units. Output of P60 to P62 can be set to N-ch open-drain output (6 V tolerance).																																																		
P61				SDAA0/(TI01)/(TO01)		P62	12-1-1			(TI02)/(TO02)/ (RTCOUT)		P70	7-5-4	I/O	Digital input invalid ^{Note 1}	SEG16/KR0/(INTP0)	Port 7. 8-bit I/O port. Input/output can be specified in 1-bit units. Use of an on-chip pull-up resistor can be specified by a software setting at input port. Can be set to LCD output ^{Note 2} .	P71	SEG17/KR1/(INTP1)	P72				SEG18/KR2/(INTP2)		P73	SEG19/KR3/(INTP3)	P74	SEG20/KR4/(INTP4)	P75	SEG21/KR5/(INTP5)	P76	SEG22/KR6/(INTP6)	P77	SEG23/KR7/(INTP7)	P80	8-5-10	I/O	Digital input invalid ^{Note 1}	SEG12/(SCL10)/ (SCK10)	Port 8. 4-bit I/O port. Input/output can be specified in 1-bit units. Use of an on-chip pull-up resistor can be specified by a software setting at input port. Input of P80 and P81 can be set to TTL input buffer. Output of P80 to P82 can be set to N-ch open-drain output (EV _{DD} tolerance). Can be set to LCD output ^{Note 2} .	P81	SEG13/(RxD1)/ (SDA10)/(SI10)	P82	7-5-10			SEG14/(TxD1)/(SO10)		P83	7-5-4			SEG15	
P62	12-1-1			(TI02)/(TO02)/ (RTCOUT)																																																			
P70	7-5-4	I/O	Digital input invalid ^{Note 1}	SEG16/KR0/(INTP0)	Port 7. 8-bit I/O port. Input/output can be specified in 1-bit units. Use of an on-chip pull-up resistor can be specified by a software setting at input port. Can be set to LCD output ^{Note 2} .																																																		
P71				SEG17/KR1/(INTP1)																																																			
P72				SEG18/KR2/(INTP2)																																																			
P73				SEG19/KR3/(INTP3)																																																			
P74				SEG20/KR4/(INTP4)																																																			
P75				SEG21/KR5/(INTP5)																																																			
P76				SEG22/KR6/(INTP6)																																																			
P77				SEG23/KR7/(INTP7)																																																			
P80	8-5-10	I/O	Digital input invalid ^{Note 1}	SEG12/(SCL10)/ (SCK10)	Port 8. 4-bit I/O port. Input/output can be specified in 1-bit units. Use of an on-chip pull-up resistor can be specified by a software setting at input port. Input of P80 and P81 can be set to TTL input buffer. Output of P80 to P82 can be set to N-ch open-drain output (EV _{DD} tolerance). Can be set to LCD output ^{Note 2} .																																																		
P81				SEG13/(RxD1)/ (SDA10)/(SI10)																																																			
P82	7-5-10			SEG14/(TxD1)/(SO10)																																																			
P83	7-5-4			SEG15																																																			

Notes 1. "Digital input invalid" refers to the state in which all the digital outputs, digital inputs, and LCD outputs are disabled.

- 2.** Digital or LCD for each pin can be selected with the port mode register x (PMx) and the LCD port function register x (PFSEGx) (can be set in 1-bit unit).

Remark Functions in parentheses in the above figure can be assigned via settings in the peripheral I/O redirection register (PIOR0). See **Figure 4-8 Format of Peripheral I/O Redirection Register (PIOR0)**.

(3/3)

Function Name	Pin Type	I/O	After Reset Released	Alternate Function	Function
P121	2-2-1	Input	Input port	X1	Port 12. 3-bit I/O port and 4-bit input dedicated port. For pins P125 to P127, input/output can be specified in 1-bit units. For pins P125 to P127, use of an on-chip pull-up resistor can be specified by a software setting at input port. For pins P125 to P127, can be set to LCD output ^{Note 2} .
P122				X2/EXCLK	
P123				XT1	
P124				XT2/EXCLKS	
P125	7-5-6	I/O	Digital input invalid ^{Note 1}	V _{L3} /INTP1/(TI05)/(TO05)	
P126	7-5-5			CAPL/(TI04)/(TO04)	
P127				CAPH/(TI03)/(TO03)	
P137	2-1-2	Input	Input port	INTP0	Port 13. 1-bit input dedicated port.
P150	4-3-6	I/O	Input port	RTCOUT/RTCIC0	Port 15. 3-bit I/O port. Input/output can be specified in 1-bit units. Use of an on-chip pull-up resistor can be specified by a software setting at input port.
P151				RTCIC1	
P152				RTCIC2	
RESET	3-1-1	Input	–	–	Input only pin for external reset. Use of an on-chip pull-up resistor can be always specified. When external reset is not used, leave open.

- Notes**
1. "Digital input invalid" refers to the state in which all the digital outputs, digital inputs, and LCD outputs are disabled.
 2. Digital or LCD for each pin can be selected with the port mode register x (PMx) and the LCD port function register x (PFSEGx) (can be set in 1-bit unit).

Remark Functions in parentheses in the above figure can be assigned via settings in the peripheral I/O redirection register (PIOR0). See **Figure 4-8 Format of Peripheral I/O Redirection Register (PIOR0)**.

2.1.3 100-pin products

(1/3)

Function Name	Pin Type	I/O	After Reset Released	Alternate Function	Function
P02	8-5-10	I/O	Input port	SCK10/SCL10/TI07/ TO07/INTP5	Port 0. 6-bit I/O port. Input/output can be specified in 1-bit units. Use of an on-chip pull-up resistor can be specified by a software setting at input port. Input of P02, P03, P05, and P06 can be set to TTL input buffer. Output of P02 to P07 can be set to N-ch open-drain output (EV _{DD} tolerance).
P03				SI10/RxD1/TI06/TO06/ SDA10	
P04	7-5-10			SO10/TxD1/TI05/TO05/ INTP4	
P05	8-5-10			SCK00/SCL00/TI04/ TO04/INTP3	
P06				SI00/RxD0/TI03/TO03/ SDA00/TOOLRxD	
P07	7-5-10			SO00/TxD0/TI02/TO02/ INTP2/TOOLTxD	
P10	7-5-4	I/O	Digital input invalid ^{Note 1}	SEG4	Port 1. 8-bit I/O port. Input/output can be specified in 1-bit units. Use of an on-chip pull-up resistor can be specified by a software setting at input port. Input of P15 and P16 can be set to TTL input buffer. Output of P15 to P17 can be set to N-ch open-drain output (EV _{DD} tolerance). Can be set to LCD output ^{Note 2} .
P11				SEG5	
P12				SEG6	
P13				SEG7	
P14				SEG8	
P15	8-5-10			SEG9/(SCK00)/(SCL00)	
P16				SEG10/(SI00)/(RxD0)/ (SDA00)	
P17	7-5-10			SEG11/(SO00)/(TxD0)	
P20	4-3-3	I/O	Analog input	AV _{REFP} /ANI0	Port 2. 6-bit I/O port. Input/output can be specified in 1-bit units. Can be set to analog input ^{Note 3} .
P21				AV _{REFM} /ANI1	
P22	4-17-1			ANI2/EXLVD	
P23	4-3-3			ANI3	
P24				ANI4	
P25				ANI5	

- Notes**
1. "Digital input invalid" refers to the state in which all the digital outputs, digital inputs, and LCD outputs are disabled.
 2. Digital or LCD for each pin can be selected with the port mode register x (PMx) and the LCD port function register x (PFSEGx) (can be set in 1-bit unit).
 3. Setting digital or analog to each pin can be done in A/D port configuration register (ADPC).

Remark Functions in parentheses in the above figure can be assigned via settings in the peripheral I/O redirection register (PIOR0). See **Figure 4-8 Format of Peripheral I/O Redirection Register (PIOR0)**.

(2/3)

Function Name	Pin Type	I/O	After Reset Released	Alternate Function	Function	
P30	7-5-4	I/O	Digital input invalid ^{Note 1}	SEG24/(TI07)/(TO07)	Port 3. 8-bit I/O port. Input/output can be specified in 1-bit units. Use of an on-chip pull-up resistor can be specified by a software setting at input port. Can be set to LCD output ^{Note 2} .	
P31				SEG25/(TI06)/(TO06)		
P32				SEG26/(PCLBUZ1)		
P33				SEG27/(PCLBUZ0)		
P34				SEG28		
P35				SEG29		
P36				SEG30		
P37				SEG31		
P40	7-1-3	I/O	Input port	TOOL0	Port 4. 4-bit I/O port. Input/output can be specified in 1-bit units. Use of an on-chip pull-up resistor can be specified by a software setting at input port.	
P41	8-1-3			TI01/TO01/PCLBUZ1/ INTP6		
P42				INTP7		
P43	7-1-3			TI00/TO00/PCLBUZ0		
P50	7-5-4	I/O	Digital input invalid ^{Note 1}	SEG32	Port 5. 8-bit I/O port. Input/output can be specified in 1-bit units. Use of an on-chip pull-up resistor can be specified by a software setting at input port. Input of P55 and P57 can be set to TTL input buffer. Output of P56 and P57 can be set to N-ch open-drain output (EV _{DD} tolerance). Can be set to LCD output ^{Note 2} .	
P51				SEG33		
P52				SEG34		
P53				SEG35		
P54				SEG36		
P55				8-5-10		SEG37/RxD2/IrRxD
P56						SEG38/TxD2/IrTxD
P57						SEG39/SCK30/SCL30
P60	12-1-2	I/O	Input port	SCLA0/(TI00)/(TO00)	Port 6. 3-bit I/O port. Input/output can be specified in 1-bit units. Output of P60 to P62 can be set to N-ch open-drain output (6V tolerance).	
P61				SDAA0/(TI01)/(TO01)		
P62	12-1-1			(TI02)/(TO02)/ (RTCOUT)		

Notes 1. "Digital input invalid" refers to the state in which all the digital outputs, digital inputs, and LCD outputs are disabled.

2. Digital or LCD for each pin can be selected with the port mode register x (PMx) and the LCD port function register x (PFSEGx) (can be set in 1-bit unit).

Remark Functions in parentheses in the above figure can be assigned via settings in the peripheral I/O redirection register (PIOR0). See **Figure 4-8 Format of Peripheral I/O Redirection Register (PIOR0)**.

(3/3)

Function Name	Pin Type	I/O	After Reset Released	Alternate Function	Function
P70	7-5-4	I/O	Digital input invalid ^{Note 1}	SEG16/KR0/(INTP0)	Port 7. 8-bit I/O port. Input/output can be specified in 1-bit units. Use of an on-chip pull-up resistor can be specified by a software setting at input port. Can be set to LCD output ^{Note 2} .
P71				SEG17/KR1/(INTP1)	
P72				SEG18/KR2/(INTP2)	
P73				SEG19/KR3/(INTP3)	
P74				SEG20/KR4/(INTP4)	
P75				SEG21/KR5/(INTP5)	
P76				SEG22/KR6/(INTP6)	
P77				SEG23/KR7/(INTP7)	
P80	8-5-10	I/O	Digital input invalid ^{Note 1}	SEG12/(SCL10)/(SCK10)	Port 8. 6-bit I/O port. Input/output can be specified in 1-bit units. Use of an on-chip pull-up resistor can be specified by a software setting at input port. Input of P80, P81, and P84 can be set to TTL input buffer. Output of P80 to P82, P84, and P85 can be set to N-ch open-drain output (E _{VDD} tolerance). Can be set to LCD output ^{Note 2} .
P81				SEG13/(RxD1)/(SDA10)/(SI10)	
P82	7-5-10			SEG14/(TxD1)/(SO10)	
P83	7-5-4			SEG15	
P84	8-5-10			SI30/RxD3/SDA30/SEG40	
P85	7-5-10			SO30/TxD3/SEG41	
P121	2-2-1	Input	Input port	X1	Port 12. 3-bit I/O port and 4-bit input only port. For only P125 to P127, input/output can be specified in 1-bit units. For only P125 to P127, use of an on-chip pull-up resistor can be specified by a software setting at input port. P125 to P127 can be set to LCD output ^{Note 2} .
P122				X2/EXCLK	
P123				XT1	
P124				XT2/EXCLKS	
P125	7-5-6	I/O	Digital input invalid ^{Note 1}	V _{L3} /INTP1/(TI05)/(TO05)	
P126	7-5-5			CAPL/(TI04)/(TO04)	
P127				CAPH/(TI03)/(TO03)	
P137	2-1-2	Input	Input port	INTP0	Port 13. 1-bit input only port.
P150	4-3-6	I/O	Input port	RTCOU/RTCIC0	Port 15. 3-bit I/O port. Input/output can be specified in 1-bit units. Use of an on-chip pull-up resistor can be specified by a software setting at input port.
P151				RTCIC1	
P152				RTCIC2	
RESET	3-1-1	Input	–	–	Input only pin for external reset. Use of an on-chip pull-up resistor can be always specified. When external reset is not used, leave open.

- Notes**
1. "Digital input invalid" refers to the state in which all the digital outputs, digital inputs, and LCD outputs are disabled.
 2. Digital or LCD for each pin can be selected with the port mode register x (PMx) and the LCD port function register x (PFSEGx) (can be set in 1-bit unit).

Remark Functions in parentheses in the above figure can be assigned via settings in the peripheral I/O redirection register (PIOR0). See **Figure 4-8 Format of Peripheral I/O Redirection Register (PIOR0)**.

2.2 Functions Other than Port Pins

2.2.1 With functions for each product

(1/2)

Function Name	100-pin	80-pin	64-pin	Function Name	100-pin	80-pin	64-pin	Function Name	100-pin	80-pin	64-pin
ANI0	√	√	√	RxD2	√	√	√	VL1	√	√	√
ANI1	√	√	√	RxD3	√	—	—	VL2	√	√	√
ANI2	√	√	√	TxD0	√	√	√	VL3	√	√	√
ANI3	√	√	√	TxD1	√	√	√	VL4	√	√	√
ANI4	√	—	—	TxD2	√	√	√	CAPH	√	√	√
ANI5	√	—	—	TxD3	√	—	—	CAPL	√	√	√
ANIN0	√	√	√	SCK00	√	√	√	X1	√	√	√
ANIN1	√	√	√	SCK10	√	√	√	X2	√	√	√
ANIN2	√	√	√	SCK30	√	—	—	EXCLK	√	√	√
ANIN3	√	—	√	SI00	√	√	√	XT1	√	√	√
ANIP0	√	√	√	SI10	√	√	√	XT2	√	√	√
ANIP1	√	√	√	SI30	√	—	—	EXCLKS	√	√	√
ANIP2	√	√	√	SO00	√	√	√	V _{DD}	√	√	√
ANIP3	√	—	√	SO10	√	√	√	EV _{DD0}	√	√	√
INTP0	√	√	√	SO30	√	—	—	EV _{DD1}	√	—	—
INTP1	√	√	√	SCL00	√	√	√	VBAT	√	√	√
INTP2	√	√	√	SCL10	√	√	√	VRTC	√	√	√
INTP3	√	√	√	SCL30	√	—	—	AV _{REFP}	√	√	√
INTP4	√	√	√	SDA00	√	√	√	AV _{REFM}	√	√	√
INTP5	√	√	√	SDA10	√	√	√	V _{SS}	√	√	√
INTP6	√	√	√	SDA30	√	—	—	EV _{SS0}	√	√	√
INTP7	√	√	√	SDAA0	√	√	√	EV _{SS1}	√	—	—
<R> KR0	√	√	√	SCLA0	√	√	√	AVRT	√	√	√
<R> KR1	√	√	√	IrRxD	√	√	√	AVCM	√	√	√
<R> KR2	√	√	√	IrTxD	√	√	√	AREGC	√	√	√
<R> KR3	√	√	√	TI00	√	√	√	AV _{SS}	√	√	√
<R> KR4	√	√	√	TI01	√	√	√	TOOLRxD	√	√	√
<R> KR5	√	√	—	TI02	√	√	√	TOOLTxD	√	√	√
<R> KR6	√	√	—	TI03	√	√	√	TOOL0	√	√	√
<R> KR7	√	√	—	TI04	√	√	√	COM0	√	√	√
RTCIC0	√	√	—	TI05	√	√	√	COM1	√	√	√
RTCIC1	√	√	—	TI06	√	√	√	COM2	√	√	√
RTCIC2	√	√	—	TI07	√	√	√	COM3	√	√	√
EXLVD	√	√	√	TO00	√	√	√	COM4	√	√	√
PCLBUZ0	√	√	√	TO01	√	√	√	COM5	√	√	√
PCLBUZ1	√	√	√	TO02	√	√	√	COM6	√	√	√
RTCOUT	√	√	√	TO03	√	√	√	COM7	√	√	√
REGC	√	√	√	TO04	√	√	√	SEG0	√	√	√
RESET	√	√	√	TO05	√	√	√	SEG1	√	√	√
RxD0	√	√	√	TO06	√	√	√	SEG2	√	√	√
RxD1	√	√	√	TO07	√	√	√	SEG3	√	√	√

(2/2)

Function Name	100-pin	80-pin	64-pin	Function Name	100-pin	80-pin	64-pin	Function Name	100-pin	80-pin	64-pin
SEG4	√	√	√	SEG17	√	√	√	SEG30	√	—	—
SEG5	√	√	√	SEG18	√	√	√	SEG31	√	—	—
SEG6	√	√	√	SEG19	√	√	√	SEG32	√	√	—
SEG7	√	√	√	SEG20	√	√	√	SEG33	√	√	—
SEG8	√	√	√	SEG21	√	√	—	SEG34	√	√	—
SEG9	√	√	√	SEG22	√	√	—	SEG35	√	√	—
SEG10	√	√	√	SEG23	√	√	—	SEG36	√	√	—
SEG11	√	√	√	SEG24	√	√	√	SEG37	√	√	—
SEG12	√	√	—	SEG25	√	√	√	SEG38	√	—	—
SEG13	√	√	—	SEG26	√	√	—	SEG39	√	—	—
SEG14	√	√	—	SEG27	√	√	—	SEG40	√	—	—
SEG15	√	√	—	SEG28	√	—	—	SEG41	√	—	—
SEG16	√	√	√	SEG29	√	—	—				

2.2.2 Description of Functions

(1/2)

Function Name	I/O	Function
ANI0 to ANI5	Input	A/D converter analog input (see Figure 15-45 Analog Input Pin Connection)
ANIN0 to ANIN3	Input	24-bit $\Delta\Sigma$ -type A/D converter analog input. These are the negative input pins.
ANIP0 to ANIP3	Input	24-bit $\Delta\Sigma$ -type A/D converter analog input. These are the positive input pins.
INTP0 to INTP7	Input	External interrupt request input. Specified the valid edge: Rising edge, falling edge, or both rising and falling edges. INTP0 is a pin that operates at an internal V_{DD} . When using a battery backup function, the input threshold value is adjusted to the selected power supply (V_{DD} or V_{BAT}). Maximum allowed input voltage is 5.5 V. If unused, pull up to V_{BAT} or V_{DD} , whichever is higher.
PCLBUZ0, PCLBUZ1	Output	Clock output/buzzer output
REGC	–	Pin for connecting regulator output stabilization capacitance for internal operation. Connect this pin to V_{SS} via a capacitor (0.47 to 1 μF). Also, use a capacitor with good characteristics, since it is used to stabilize internal voltage.
RTCOU \overline{T}	Output	Independent power supply RTC (1 Hz/64 Hz) output
$\overline{\text{RESET}}$	Input	This is the active-low system reset input pin. An on-chip pull-up resistor is always valid. When the external reset pin is not used, leave open.
RxD0 to RxD3	Input	Serial data input pins of serial interface UART0 to UART3
TxD0 to TxD3	Output	Serial data output pins of serial interface UART0 to UART3
SCK00, SCK10, SCK30	I/O	Serial clock I/O pin of serial interface CSI00, CSI10, and CSI30
SI00, SI10, SI30	Input	Serial data input pin of serial interface CSI00, CSI10, and CSI30
SO00, SO10, SO30	Output	Serial data output pin of serial interface CSI00, CSI10, and CSI30
IrRxD	Input	Receive data for IrDA
IrTxD	Output	Transmit data for IrDA
SCL00, SCL10, SCL30	Output	Serial clock output pins of serial interface IIC00, IIC10, and IIC30
SDA00, SDA10, SDA30	I/O	Serial data I/O pins of serial interface IIC00, IIC10, and IIC30
SCLA0	I/O	Serial clock I/O pins of serial interface IICA0
SDAA0	I/O	Serial data I/O pins of serial interface IICA0
TI00 to TI07	Input	The pins for inputting an external count clock/capture trigger to 16-bit timers 00 to 07
TO00 to TO07	Output	Timer output pins of 16-bit timers 00 to 07
V_{L1} to V_{L4}	–	LCD drive voltage
CAPH, CAPL	–	Connecting a capacitor for LCD controller/driver
X1, X2	–	If an external 24-bit $\Delta\Sigma$ type A/D converter is used for external clock input, a 12 MHz oscillator must be connected.
EXCLK	Input	External clock input for main system clock
XT1, XT2	–	Resonator connection for subsystem clock
EXCLKS	Input	External clock input for subsystem clock

(2/2)

Function Name	I/O	Function
V _{DD}	–	<p><64-pin > Positive power supply for all pins other than P123 and P124. Power supply for the 24-bit $\Delta\Sigma$ type A/D converter</p> <p><80-pin > Positive power supply for P20 to P23, P121 to P122, P137, P150 to P152, and other than ports Power supply for the 24-bit $\Delta\Sigma$ type A/D converter</p> <p><100-pin> Positive power supply for P20 to P25, P121 to P122, P137, P150 to P152, and other than ports Power supply for the 24-bit $\Delta\Sigma$ type A/D converter</p>
EV _{DD0} , EV _{DD1}	–	Positive power supply for ports (other than P20 to P25, P121 to P124, P137, P150 to P152)
VBAT	–	<p>Power supply for battery backup</p> <p>Power supply for the 24-bit $\Delta\Sigma$ type A/D converter</p>
VRTC	–	<p>Power supply for RTC.</p> <p>Positive power supply for P123 and P124</p>
AV _{REFP}	Input	A/D converter reference potential (+ side) input
AV _{REFM}	Input	A/D converter reference potential (– side) input
V _{SS}	–	<p><64-pin > Ground potential for all pins</p> <p><80-pin > Ground potential for P20 to P23, P121 to P124, P137, P150 to P152, and other than ports.</p> <p><100-pin > Ground potential for P20 to P25, P121 to P124, P137, P150 to P152 and other than ports</p>
EV _{SS0} , EV _{SS1}	–	Ground potential for ports (other than P20 to P25, P121 to P124, P137, and P150 to P152)
AVRT	–	Reference potential for 24-bit $\Delta\Sigma$ A/D converter
AVCM	–	Common mode voltage for 24-bit $\Delta\Sigma$ A/D converter
AREGC	–	Regulator capacitance for 24-bit $\Delta\Sigma$ A/D converter
AV _{SS}	–	Ground potential for 24-bit $\Delta\Sigma$ A/D converter
TOOLRxD	Input	UART reception pin for the external device connection used during flash memory programming
TOOLTxD	Output	UART transmission pin for the external device connection used during flash memory programming
TOOL0	I/O	Data I/O for flash memory programmer/debugger
COM0 to COM7	Output	LCD controller/driver common signal outputs
EXLVD	Input	Low voltage detector for external pin
RTCIC0 to RTCIC2	Input	RTC time capture event input
KR0 to KR7	Input	Key interrupt input
SEG0 to SEG41	Output	LCD controller/driver segment signal outputs

Caution After reset release, the relationships between P40/TOOL0 and the operating mode are as follows.

Table 2-2. Relationships Between P40/TOOL0 and Operation Mode After Reset Release

P40/TOOL0	Operating Mode
EV _{DD0}	Normal operation mode
0 V	Flash memory programming mode

<R> **For details, see 36.4 Programming Method.**

- <R> **Remarks**
1. Use bypass capacitors (about 0.1 μ F) as noise and latch up countermeasures with relatively thick wires at the shortest distance to V_{DD} to V_{SS}, EV_{DD0} to EV_{SS0}, and EV_{DD1} to EV_{SS1} lines.
 2. For the products that do not have an EV_{DD0} pin, replace EV_{DD0} with V_{DD}.

2.3 Connection of Unused Pins

Table 2-3 shows the connections of unused pins.

Remark The pins mounted depend on the product. See 1.3 Pin Configuration (Top View) and 2.1 Port Function List.

Table 2-3. Connection of Unused Pins (1/2)

Pin Name	I/O	Recommended Connection of Unused Pins
P02 to P07	I/O	Input: Independently connect to EV _{DD0} or EV _{SS0} via a resistor. Output: Leave open.
P10 to P17		<When setting to port I/O> Input: Independently connect to EV _{DD0} or EV _{SS0} via a resistor. Output: Leave open. <When setting to segment output> Leave open.
P20 to P25		Input: Independently connect to V _{DD} or V _{SS} via a resistor. In addition, individually connect to V _{SS} via a resistor when using a battery backup function. Output: Leave open.
P30 to P37		<When setting to port I/O> Input: Independently connect to EV _{DD0} or EV _{SS0} via a resistor. Output: Leave open. <When setting to segment output> Leave open.
P40/TOOL0		Input: Independently connect to EV _{DD0} via a resistor or leave open. Output: Leave open.
P41 to P43		Input: Independently connect to EV _{DD0} or EV _{SS0} via a resistor. Output: Leave open.
P50 to P57		<When setting to port I/O> Input: Independently connect to EV _{DD0} or EV _{SS0} via a resistor. Output: Leave open. <When setting to segment output> Leave open.
P60 to P62		Input: Independently connect to EV _{DD0} or EV _{SS0} via a resistor. Output: Set the port's output latch to 0 and leave the pin open, or set the port's output latch to 1 and independently connect the pin to EV _{DD0} or EV _{SS0} via a resistor.

Remark For the products that do not have an EV_{DD0} or EV_{SS0} pin, replace EV_{DD0} with V_{DD}, and replace EV_{SS0} with V_{SS}.

Table 2-3. Connection of Unused Pins (2/2)

Pin Name	I/O	Recommended Connection of Unused Pins
P70 to P77	I/O	<When setting to port I/O> Input: Independently connect to EV _{DD0} or EV _{SS0} via a resistor. Output: Leave open. <When setting to segment output> Leave open.
P80 to P85		
P121, P122	Input	Independently connect to V _{DD} or V _{SS} via a resistor. In addition, individually connect to V _{SS} via a resistor when using a battery backup function.
P123, P124	Input	Independently connect to V _{SS} via a resistor.
P125 to P127	I/O	Input: Independently connect to EV _{DD0} , EV _{DD1} or EV _{SS0} , EV _{SS1} via a resistor. Output: Leave open.
P137	Input	Independently connect to V _{DD} or V _{SS} via a resistor. In addition, individually connect to V _{SS} via a resistor when using a battery backup function.
P150 to P152	I/O	Leave open.
RESET	Input	Leave open.
REGC	–	Connect to V _{SS} via capacitor (0.47 to 1 μ F).
COM0 to COM7	Output	Leave open.
ANIP0 to ANIP3	Input	Leave open.
ANIN0 to ANIN3		
V _{L1} , V _{L2} , V _{L4}	–	Leave open.
VBAT	–	Connect directly to V _{SS} . In addition, if the VBAT pin is not used, be sure to set the VBATEN bit to 0 with software.
VRTC	–	Directly connect to V _{SS} .
AVRT, AVCM	–	Connect to AV _{SS} via capacitor (0.47 μ F).
AV _{SS}	–	Make AV _{SS} the same potential as V _{SS} .
AREGC	–	Connect to AV _{SS} via capacitor (0.47 μ F).

Remark For the products that do not have an EV_{DD0} or EV_{SS0} pin, replace EV_{DD0} with V_{DD}, and replace EV_{SS0} with V_{SS}.

2.4 Block Diagrams of Pins

Figures 2-1 to 2-15 show the block diagrams of the pins described in **2.1.1 64-pin products**, **2.1.2 80-pin products**, and **2.1.3 100-pin products**. For the 64-pin products, replace EV_{DD1} and EV_{SS1} with V_{DD} and V_{SS}. For the 80-pin products, replace EV_{DD1} and EV_{SS1} with EV_{DD0} and EV_{SS0}, respectively.

Figure 2-1. Pin Block Diagram for Pin Type 2-1-2

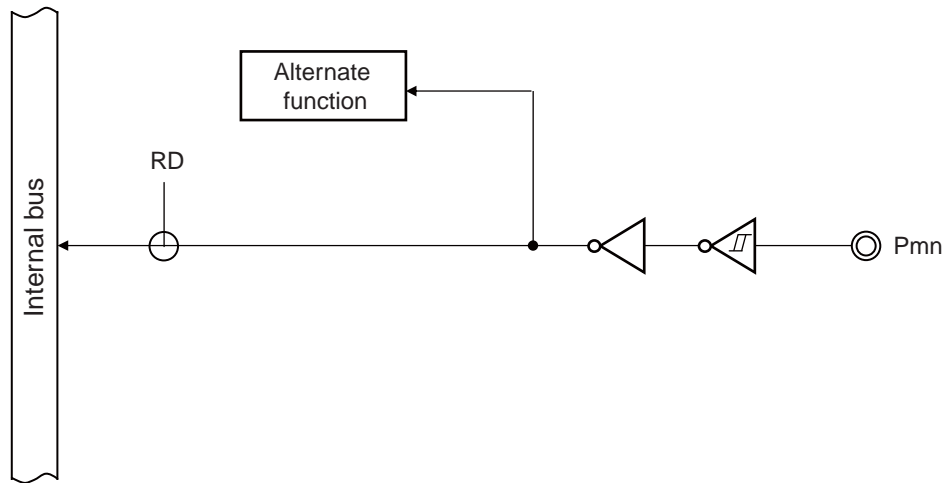
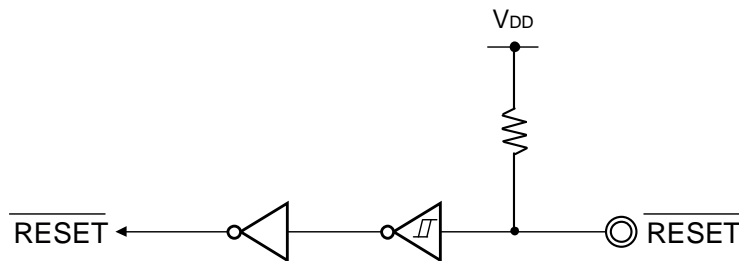
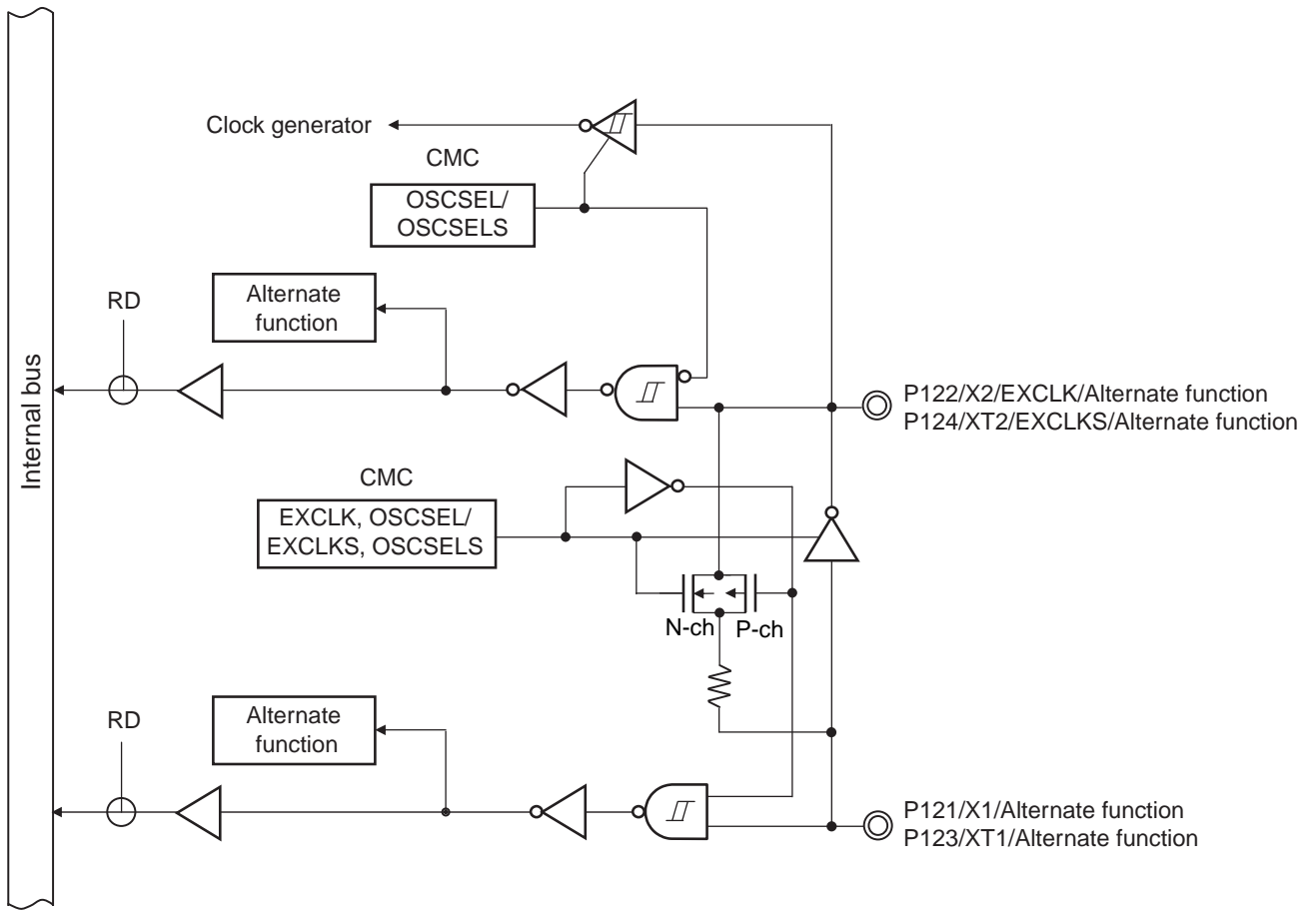


Figure 2-2. Pin Block Diagram for Pin Type 3-1-1



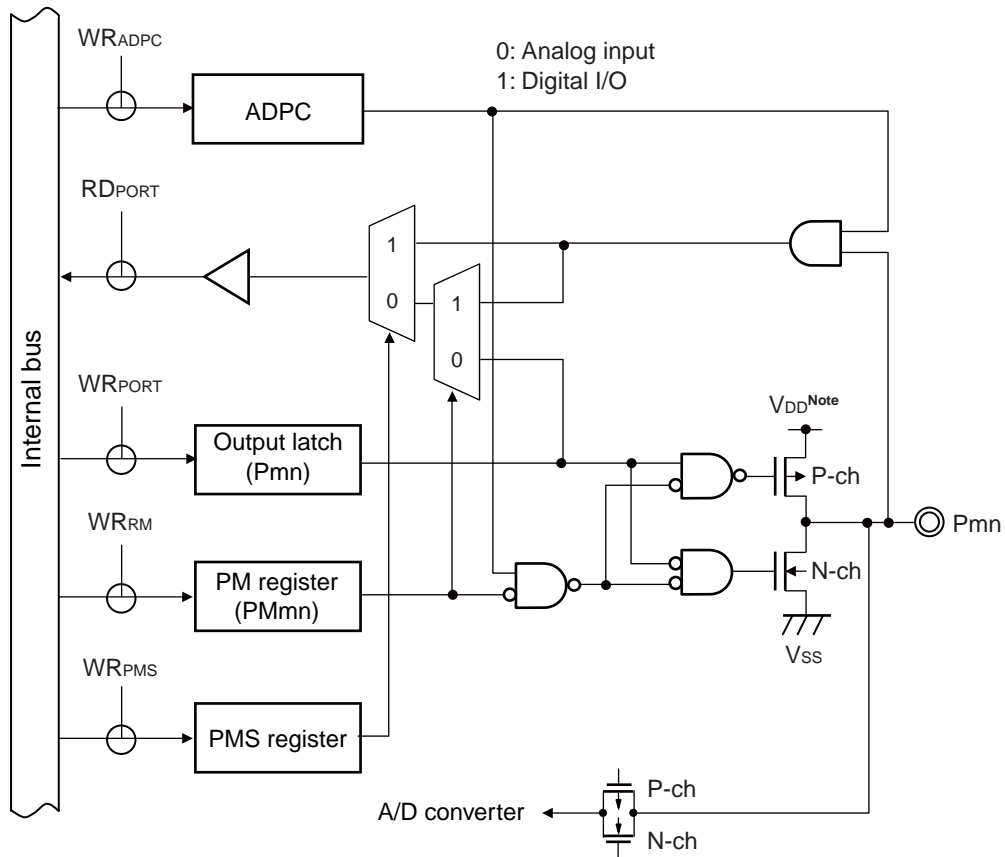
Remark For alternate functions, see **2.1 Port Function**.

Figure 2-3. Pin Block Diagram for Pin Type 2-2-1



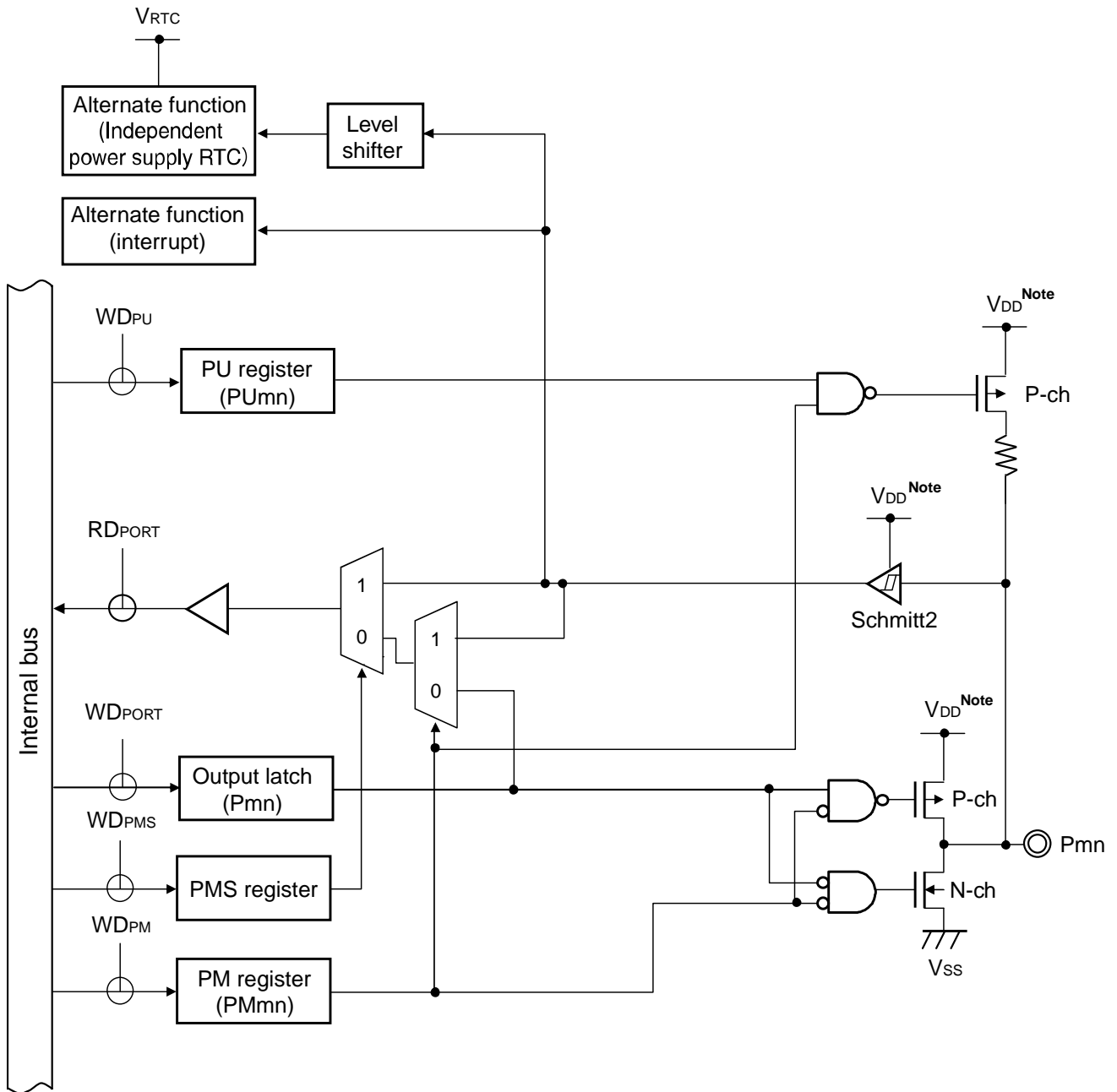
Remark For alternate functions, see 2.1 Port Function.

Figure 2-4. Pin Block Diagram for Pin Type 4-3-3



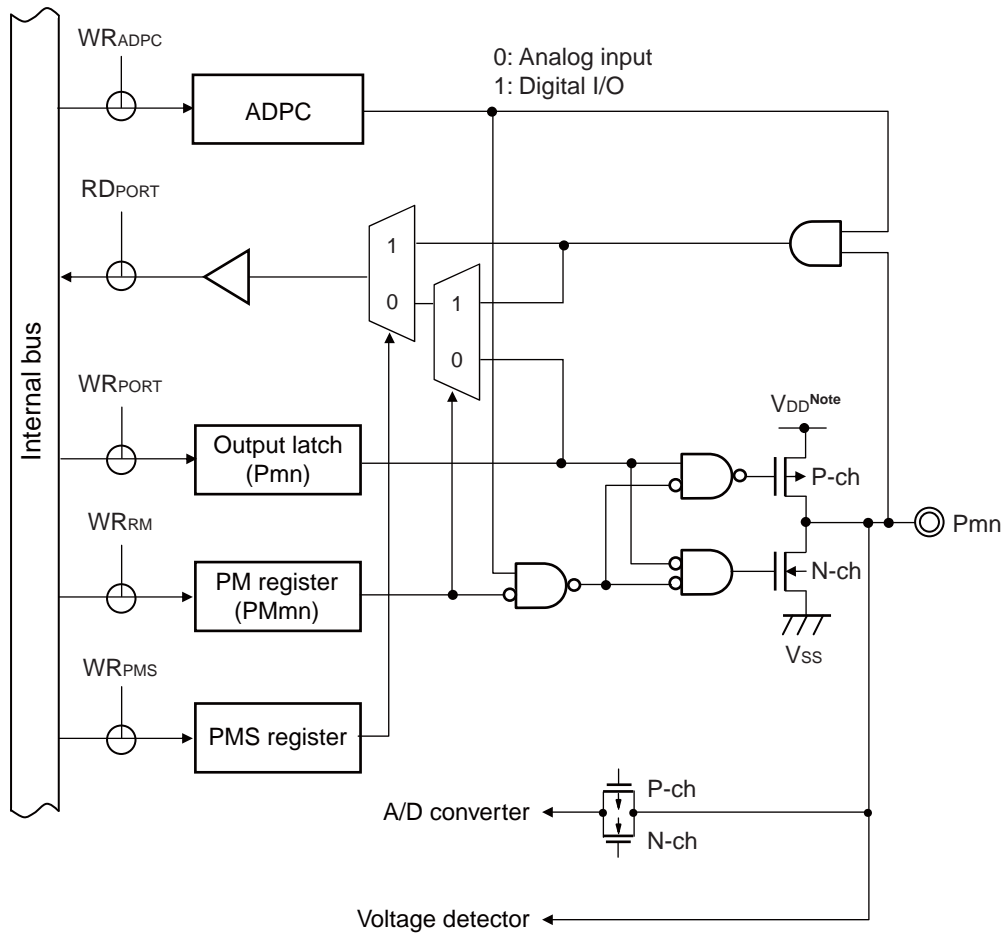
Note Either V_{DD} or V_{BAT} selected by the battery backup function.

Figure 2-5. Pin Block Diagram for Pin Type 4-3-6



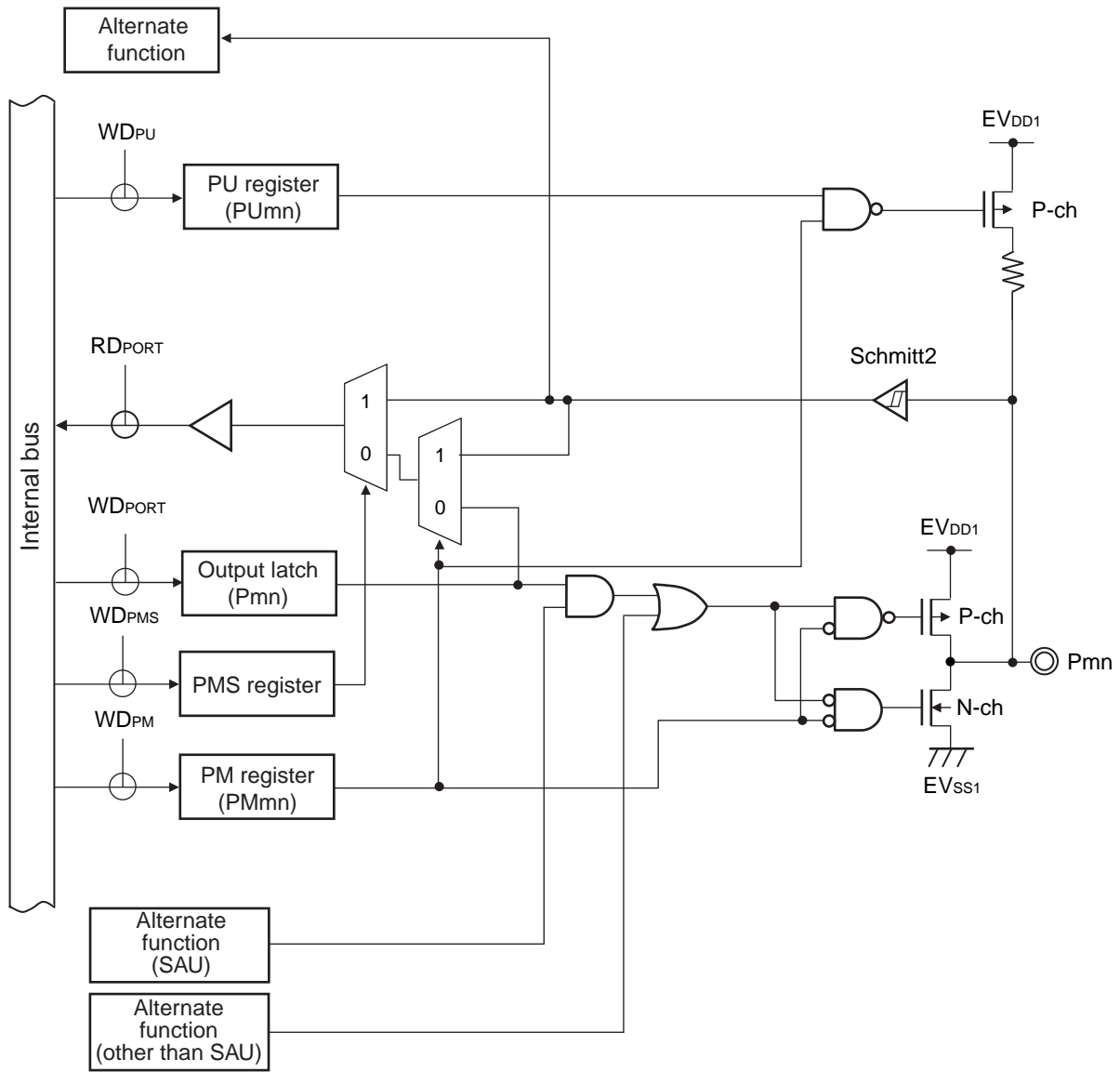
Note Either V_{DD} or V_{BAT} selected by the battery backup function.

Figure 2-6. Pin Block Diagram for Pin Type 4-17-1



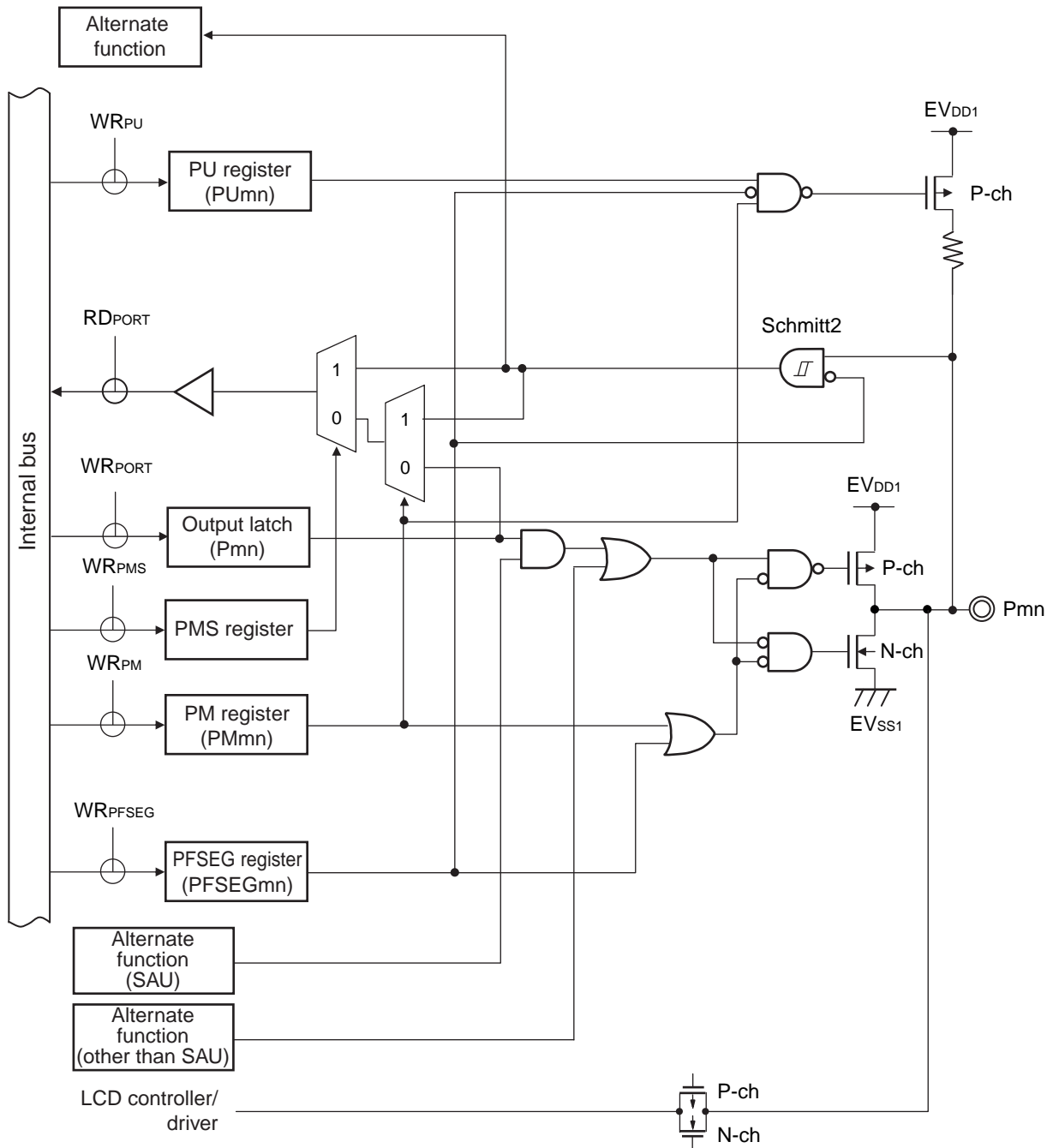
Note Either V_{DD} or V_{BAT} selected by the battery backup function.

Figure 2-7. Pin Block Diagram for Pin Type 7-1-3



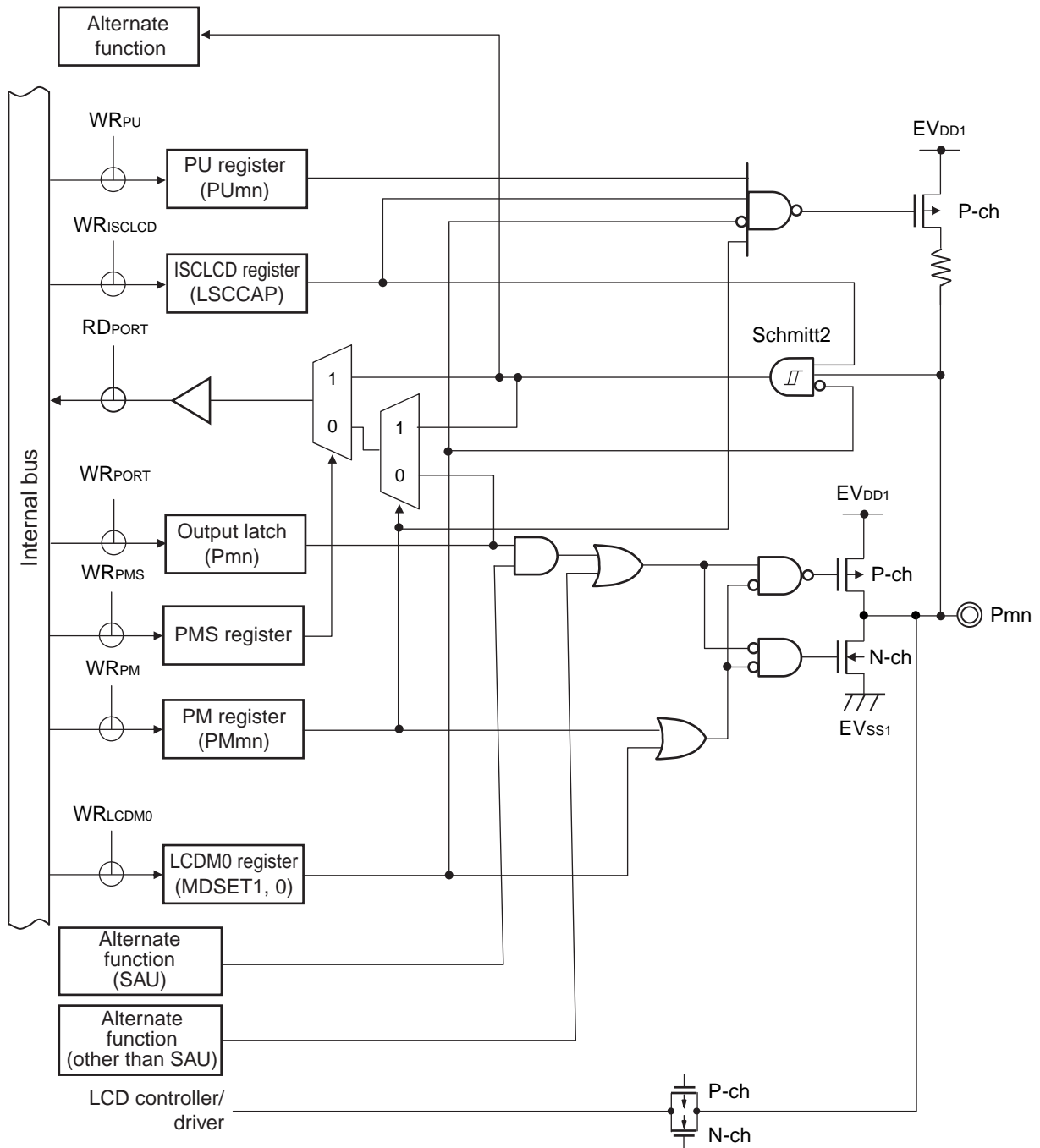
- Remarks**
1. For alternate functions, see 2.1 Port Function.
 2. SAU: Serial array unit

Figure 2-8. Pin Block Diagram for Pin Type 7-5-4



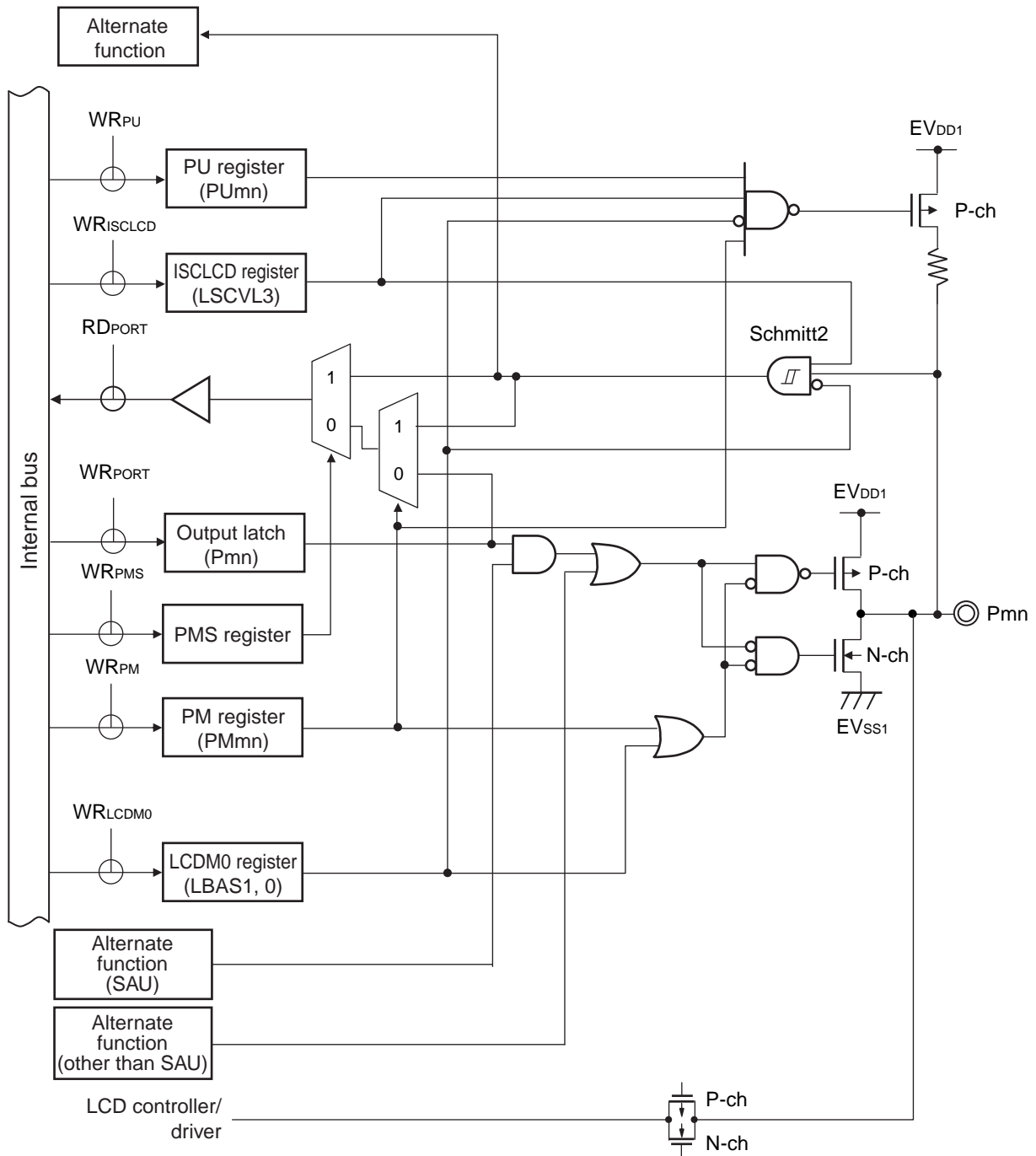
- Remarks**
1. For alternate functions, see 2.1 Port Function.
 2. SAU: Serial array unit

Figure 2-9. Pin Block Diagram for Pin Type 7-5-5



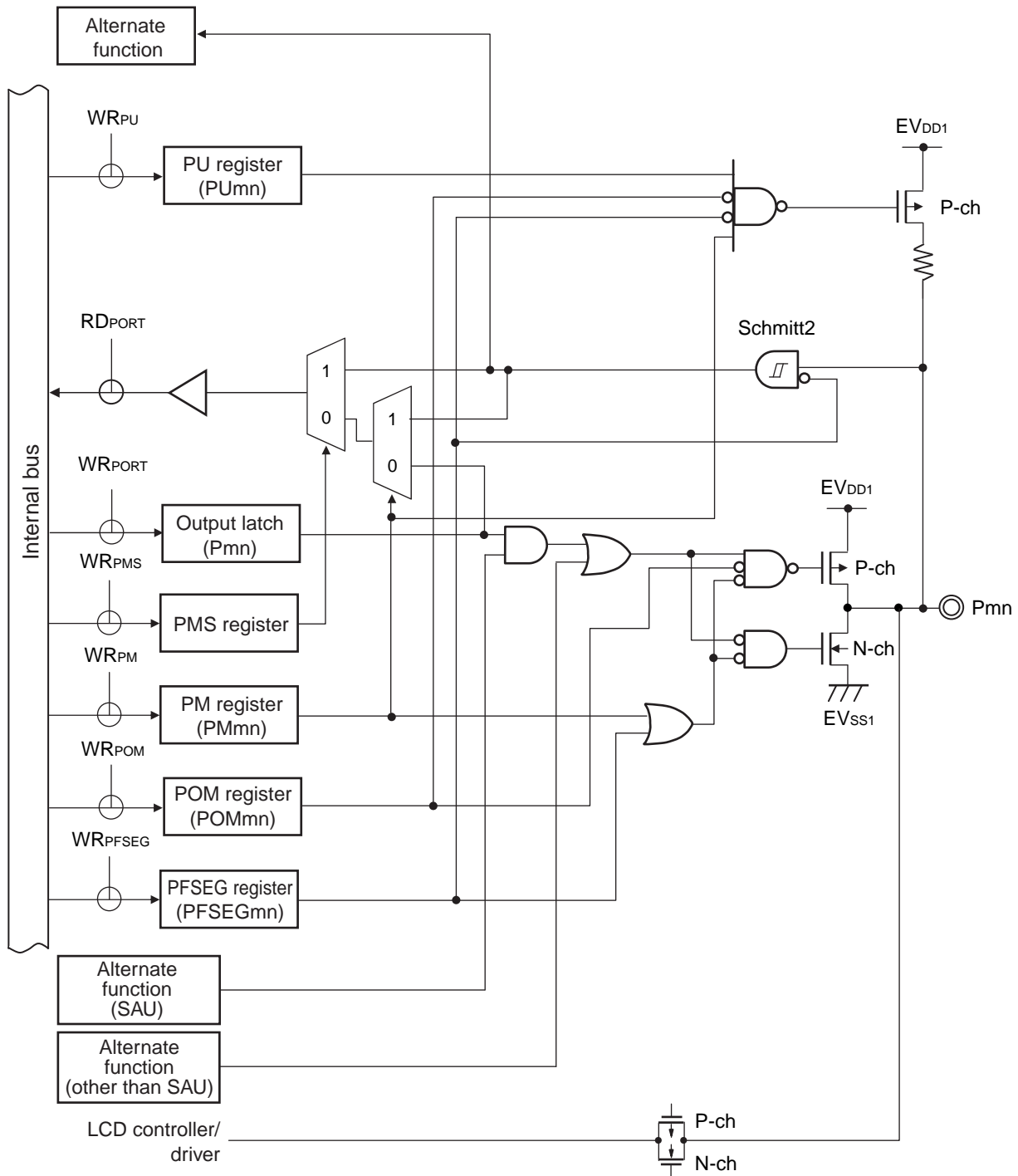
- Remarks**
1. For alternate functions, see 2.1 Port Function.
 2. SAU: Serial array unit

Figure 2-10. Pin Block Diagram for Pin Type 7-5-6



- Remarks**
1. For alternate functions, see 2.1 Port Function.
 2. SAU: Serial array unit

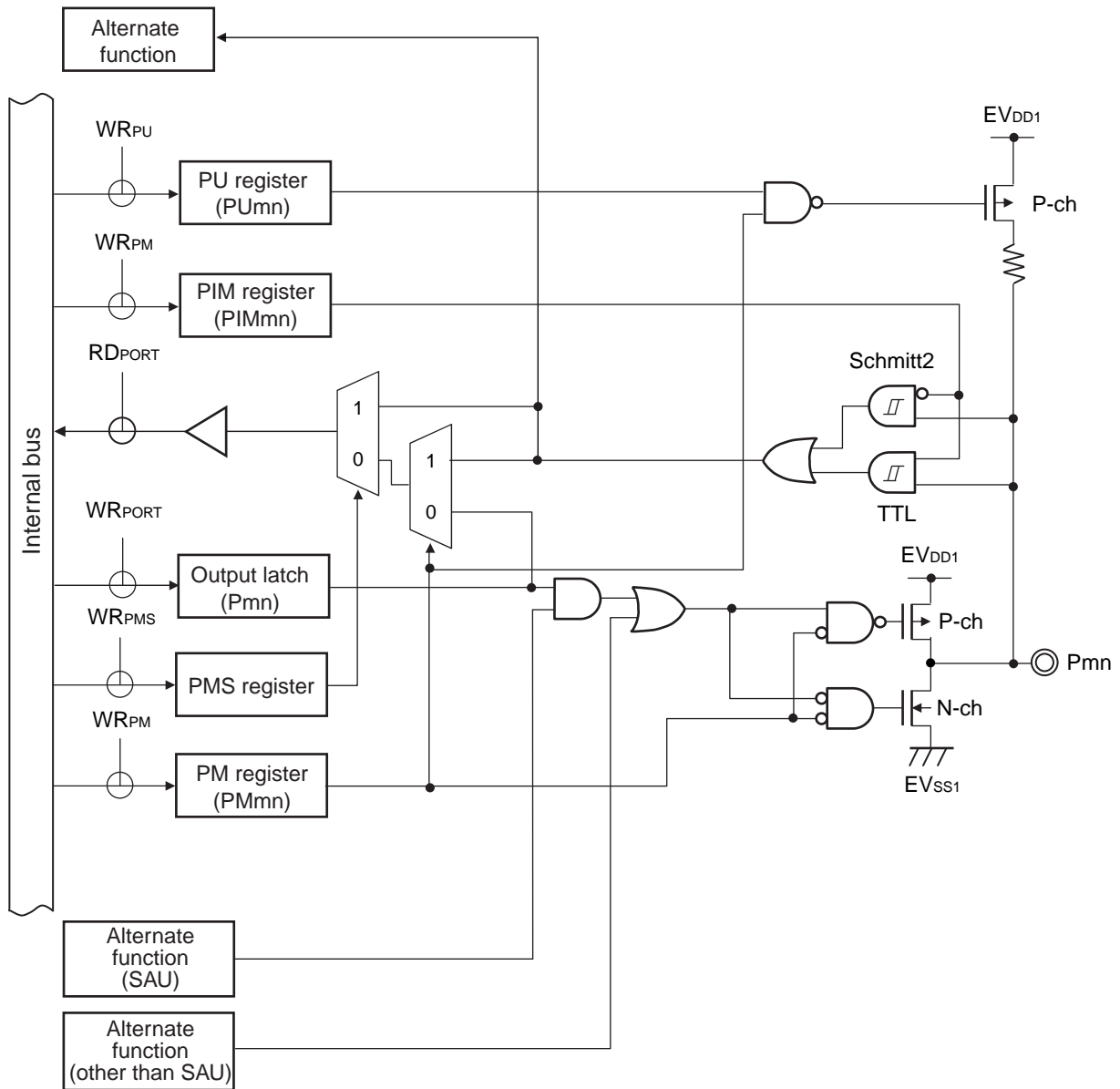
Figure 2-11. Pin Block Diagram for Pin Type 7-5-10



<R> **Caution** A through current may flow through if the pin is in the intermediate potential, because the input buffer is also turned on when the pin is in N-ch open-drain output mode by port output mode register (POMx).

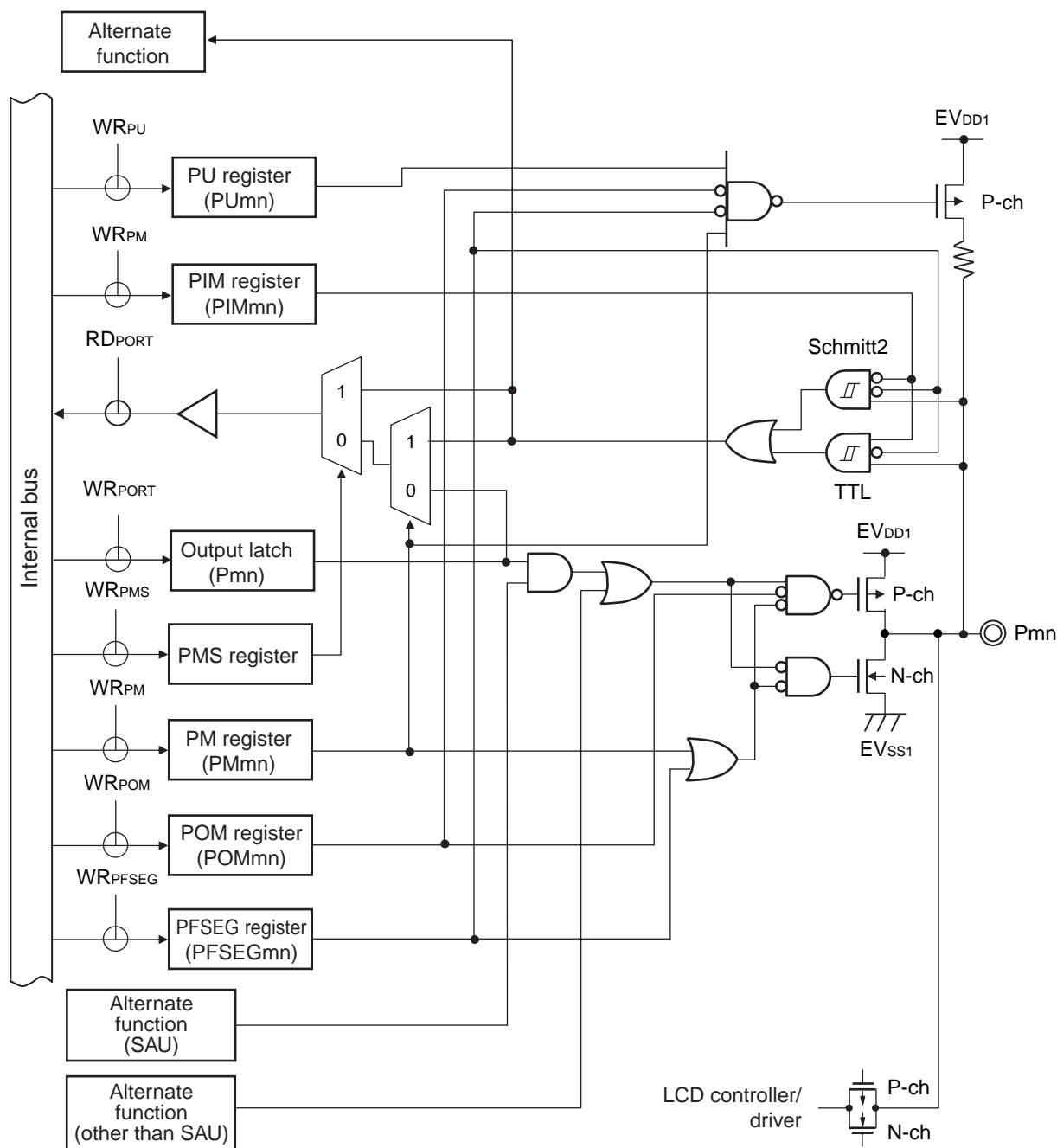
- Remarks**
1. For alternate functions, see 2.1 Port Function.
 2. SAU: Serial array unit

Figure 2-12. Pin Block Diagram for Pin Type 8-1-3



- Remarks**
1. For alternate functions, see 2.1 Port Function.
 2. SAU: Serial array unit

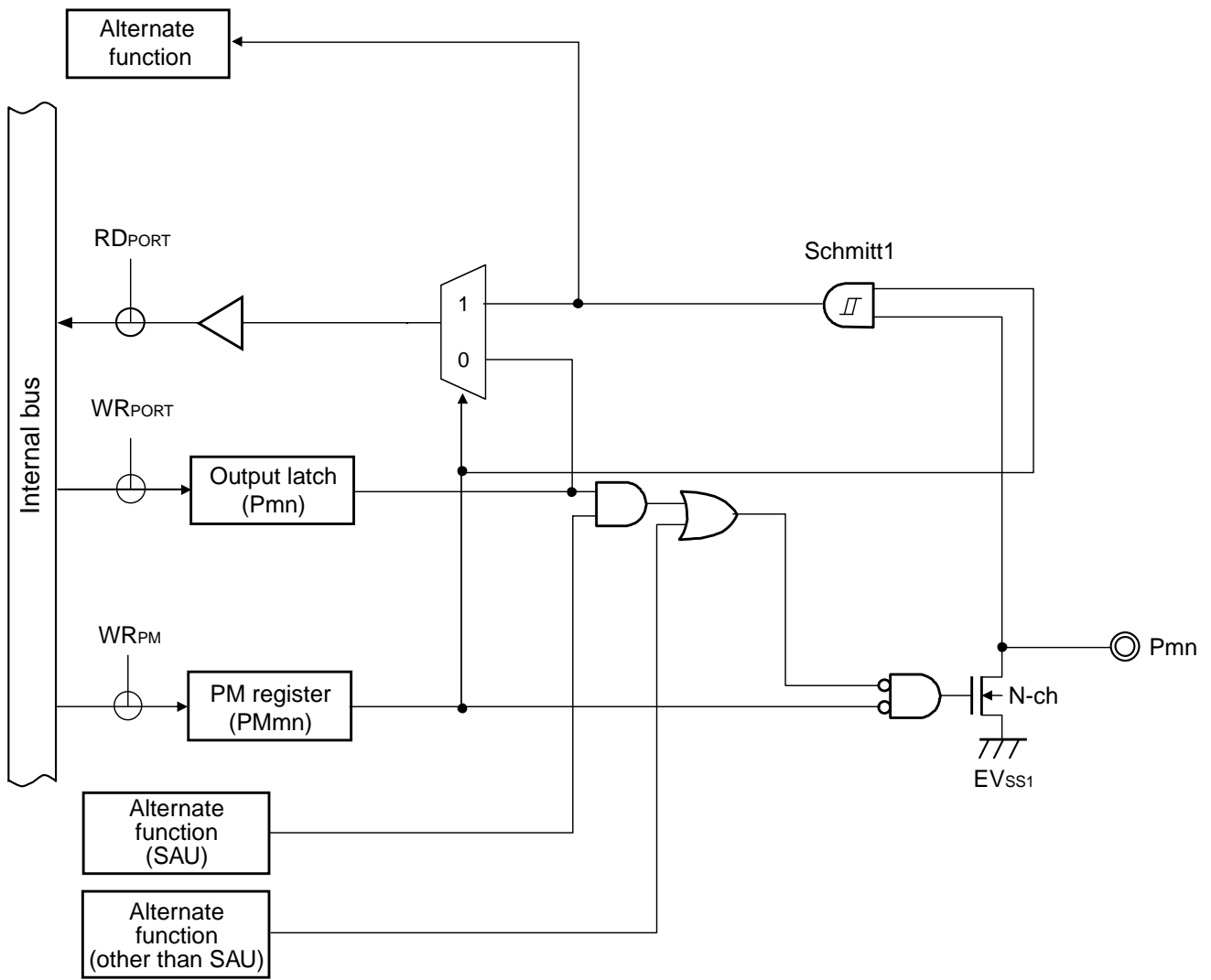
Figure 2-13. Pin Block Diagram for Pin Type 8-5-10



- <R> **Cautions** 1 A through current may flow through if the pin is in the intermediate potential, because the input buffer is also turned on when the pin is in N-ch open-drain output mode by port output mode register (POMx).
- <R> 2 Because of TTL input buffer structure, if the port input mode register (PIMx) is set in TTL input buffer, a through current may flow through in the case of high level input. It is recommended to input a low level to prevent a through current.

- Remarks** 1. For alternate functions, see 2.1 Port Function.
- 2. SAU: Serial array unit

Figure 2-14. Pin Block Diagram for Pin Type 12-1-1

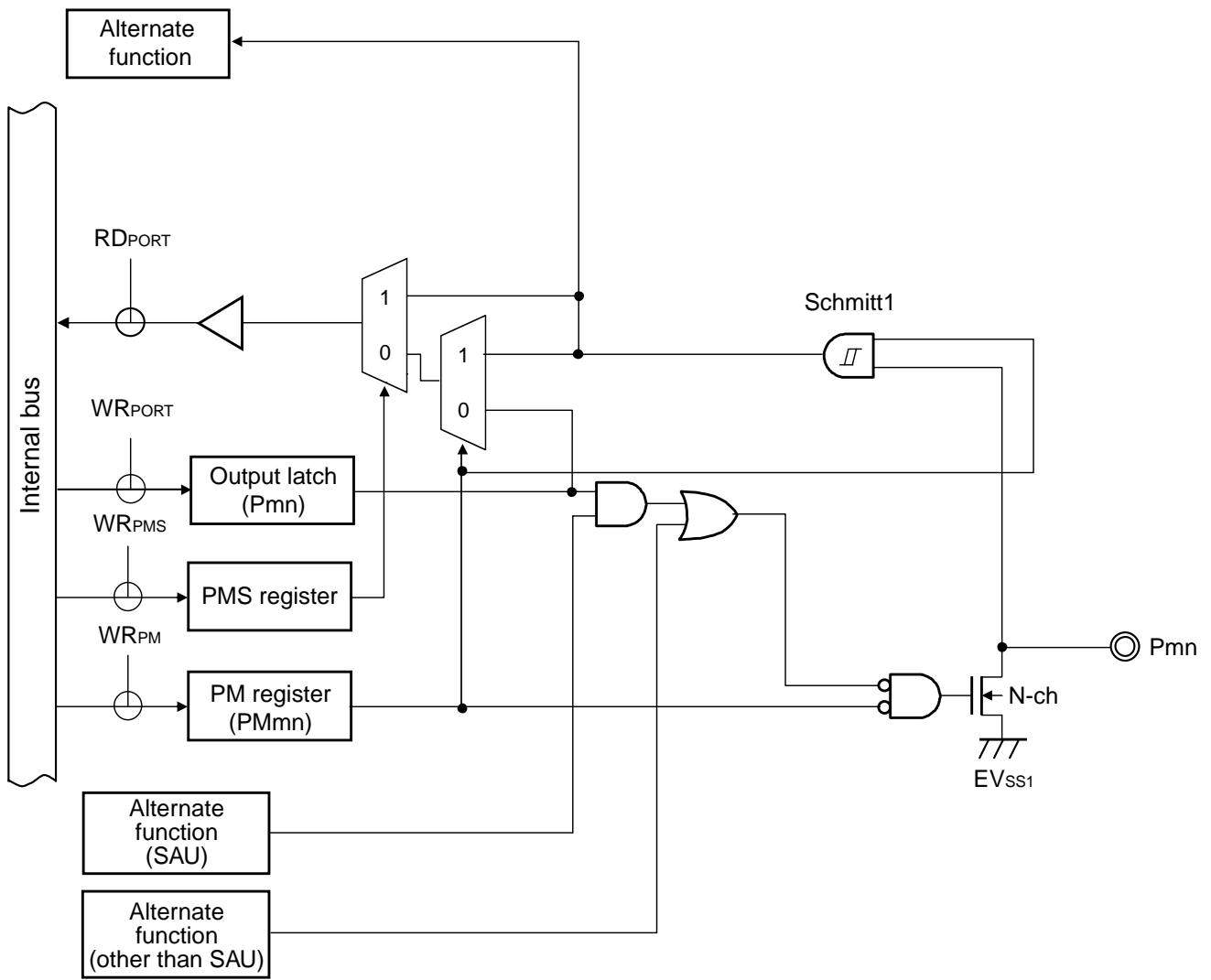


<R> **Caution** A through current may flow through if the pin is in the intermediate potential, because the input buffer is turned on when the pin is in output mode.

<R> **Remarks 1.** For alternate functions, see 2.1 Port Function.

<R> **2.** SAU: Serial array unit

Figure 2-15. Pin Block Diagram for Pin Type 12-1-2



<R> **Caution** A through current may flow through if the pin is in the intermediate potential, because the input buffer is turned on when the pin is in output mode.

<R> **Remarks 1.** For alternate functions, see 2.1 Port Function.

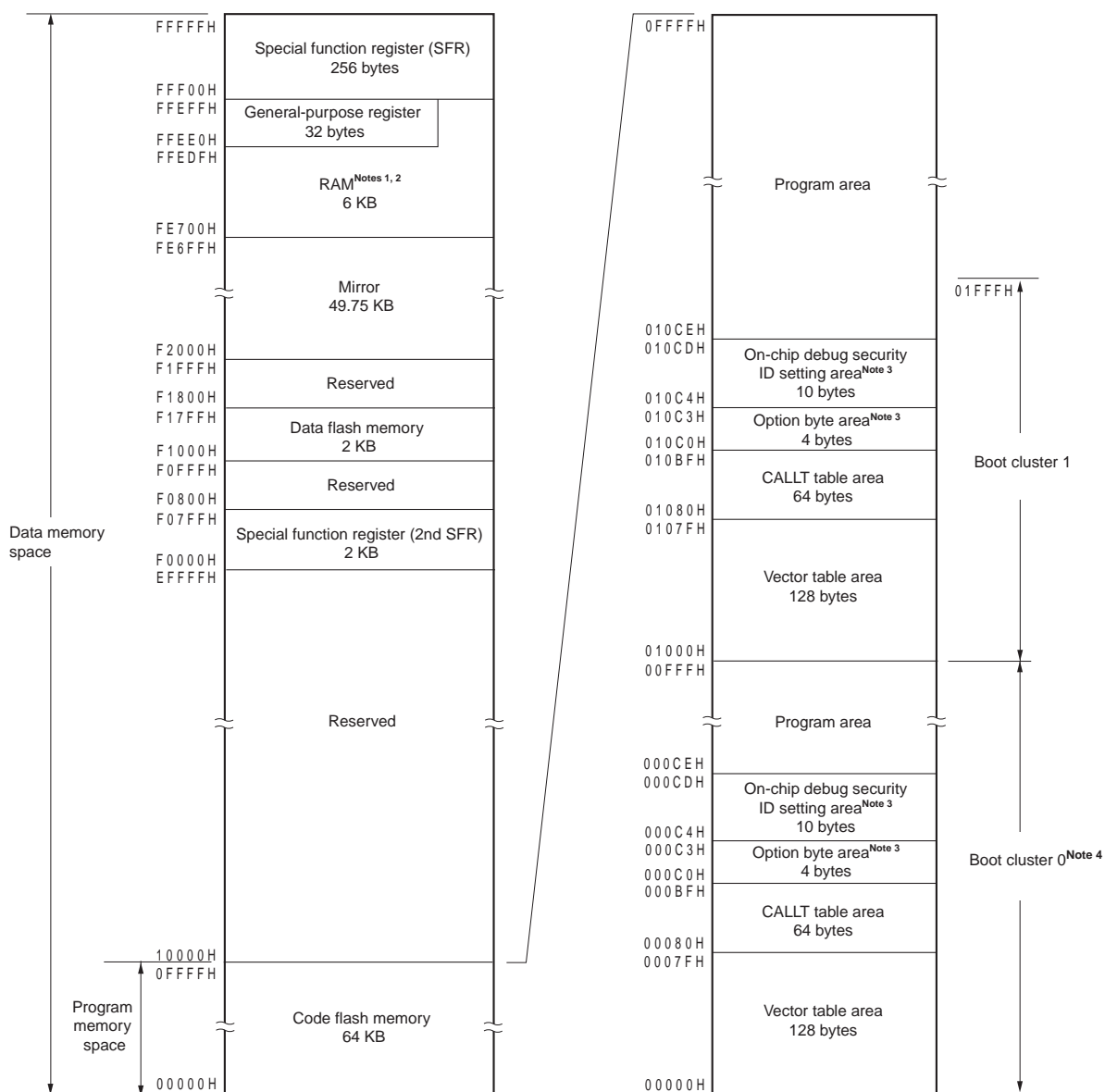
<R> **2.** SAU: Serial array unit

CHAPTER 3 CPU ARCHITECTURE

3.1 Memory Space

Products in the RL78/I1C can access a 1 MB address space. Figures 3-1 and 3-3 show the memory maps.

Figure 3-1. Memory Map (R5F10NLE, R5F10NME)

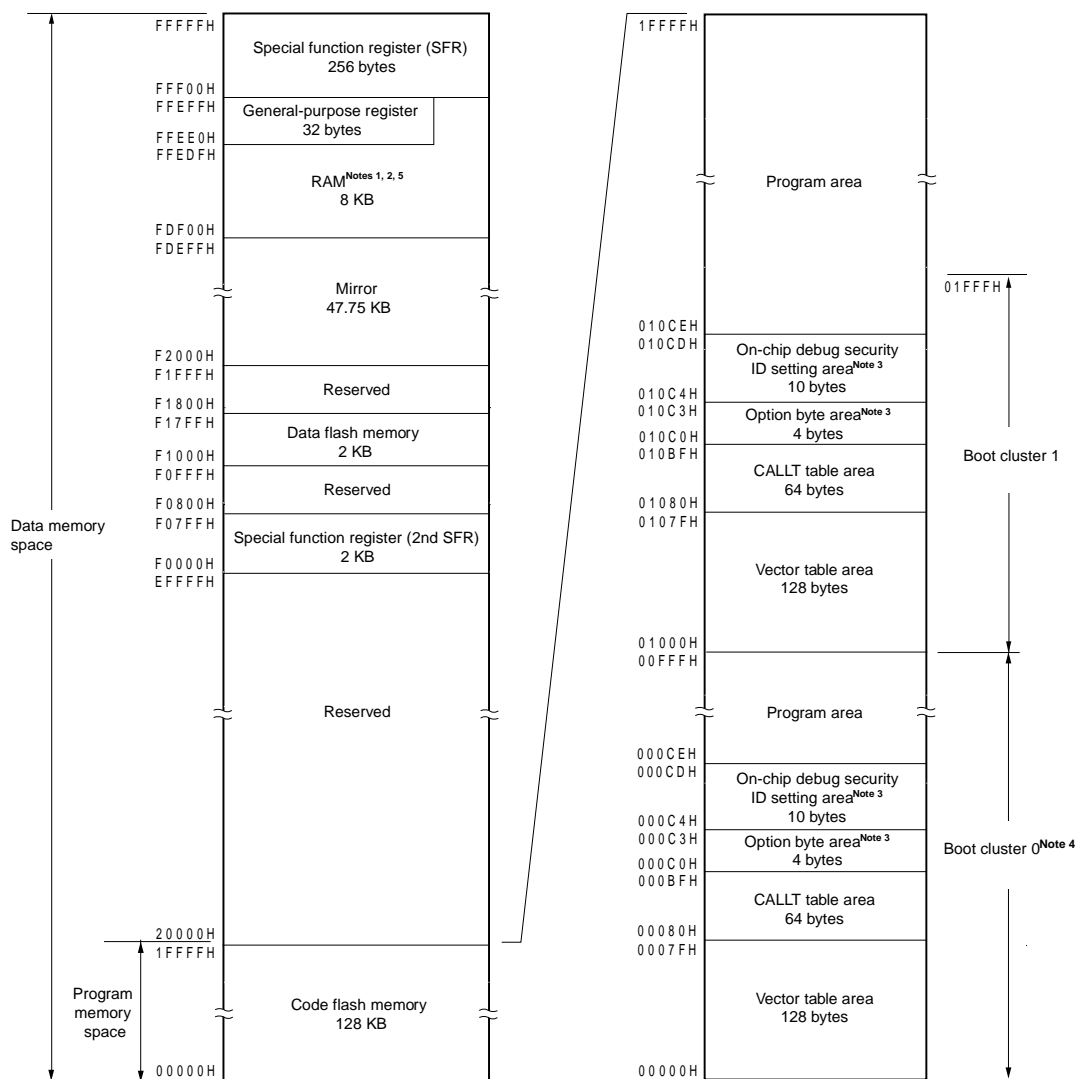


- <R> **Notes**
1. Do not allocate RAM addresses which are used as a stack area, a data buffer used for flash library, an argument of library function, a branch destination of vector interrupt processing, and a DTC transfer destination/transfer source to the area FFE20H to FFEDFH when performing self-programming or rewriting of the data flash memory.
 2. Instructions can be executed from the RAM area excluding the general-purpose register area.
 3. When boot swap is not used: Set the option bytes to 000C0H to 000C3H, and the on-chip debug security IDs to 000C4H to 000CDH.
 When boot swap is used: Set the option bytes to 000C0H to 000C3H and 010C0H to 010C3H, and the on-chip debug security IDs to 000C4H to 000CDH and 010C4H to 010CDH.
 4. Writing boot cluster 0 can be prohibited depending on the setting of security (see 36.7 Security Settings).

Caution When executing instructions from the RAM area while RAM parity error resets are enabled (RPERDIS = 0), be sure to initialize RAM areas where data access is to proceed and the RAM area + 10 bytes when instructions are fetched from RAM areas, respectively. Reset signal generation sets RAM parity error resets to enabled (RPERDIS = 0). For details, see 32.3.3 RAM parity error detection function.

<R>

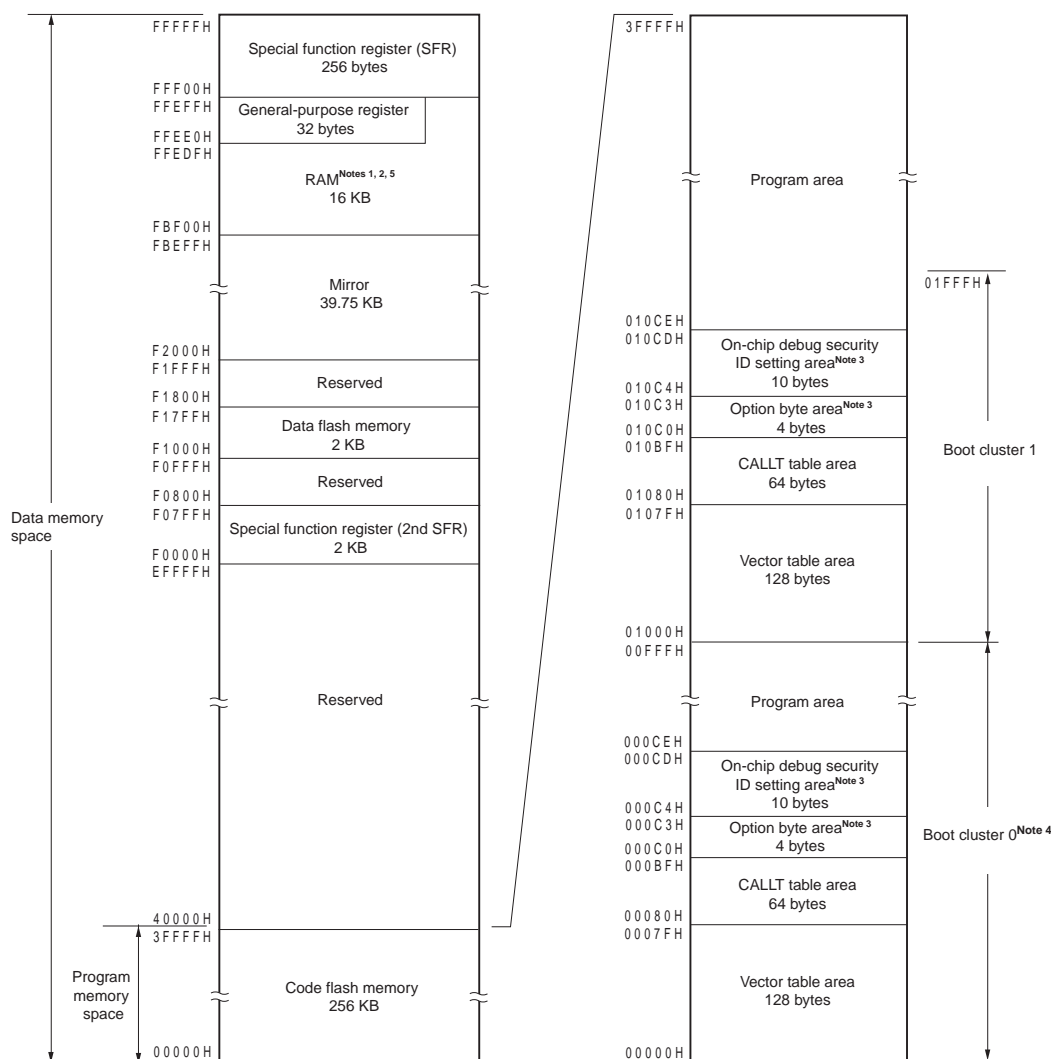
Figure 3-2. Memory Map (R5F10NLG, R5F10NMG, R5F10NPG)



- <R> **Notes**
- Do not allocate RAM addresses which are used as a stack area, a data buffer used for flash library, an argument of library function, a branch destination of vector interrupt processing, and a DTC transfer destination/transfer source to the area FFE20H to FFE20H when performing self-programming or rewriting of the data flash memory.
For R5F10NLG and R5F10NMG, flash library uses a part of RAM area from FDF00H. For RAM area that flash library uses, see **Self RAM list of Flash Self-Programming Library for RL78 Family (R20UT2944)**.
 - Instructions can be executed from the RAM area excluding the general-purpose register area.
 - When boot swap is not used: Set the option bytes to 000C0H to 000C3H, and the on-chip debug security IDs to 000C4H to 000CDH.
When boot swap is used: Set the option bytes to 000C0H to 000C3H and 010C0H to 010C3H, and the on-chip debug security IDs to 000C4H to 000CDH and 010C4H to 010CDH.
 - Writing boot cluster 0 can be prohibited depending on the setting of security (see **36.7 Security Settings**).
 - When using the trace function of on-chip debugging, area FE300H to FE6FFH is disabled.

Caution When executing instructions from the RAM area while RAM parity error resets are enabled (RPERDIS = 0), be sure to initialize RAM areas where data access is to proceed and the RAM area + 10 bytes when instructions are fetched from RAM areas, respectively. Reset signal generation sets RAM parity error resets to enabled (RPERDIS = 0). For details, see 32.3.3 RAM parity error detection function.

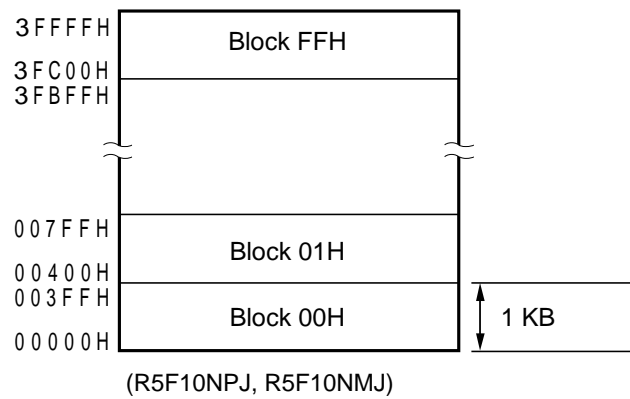
Figure 3-3. Memory Map (R5F10NMJ, R5F10NPJ)



- <R> **Notes**
- Do not allocate RAM addresses which are used as a stack area, a data buffer used for flash library, an argument of library function, a branch destination of vector interrupt processing, and a DTC transfer destination/transfer source to the area FFE20H to FFEDFH when performing self-programming or rewriting of the data flash memory.
The RAM area used by the flash library starts at FBF00H. For RAM area that flash library uses, see **Self RAM list of Flash Self-Programming Library for RL78 Family (R20UT2944)**.
 - Instructions can be executed from the RAM area excluding the general-purpose register area.
 - When boot swap is not used: Set the option bytes to 000C0H to 000C3H, and the on-chip debug security IDs to 000C4H to 000CDH.
When boot swap is used: Set the option bytes to 000C0H to 000C3H and 010C0H to 010C3H, and the on-chip debug security IDs to 000C4H to 000CDH and 010C4H to 010CDH.
 - Writing boot cluster 0 can be prohibited depending on the setting of security (see **36.7 Security Settings**).
 - When using the trace function of on-chip debugging, area FC300H to FC6FFH is disabled.

Caution When executing instructions from the RAM area while RAM parity error resets are enabled (RPERDIS = 0), be sure to initialize RAM areas where data access is to proceed and the RAM area + 10 bytes when instructions are fetched from RAM areas, respectively. Reset signal generation sets RAM parity error resets to enabled (RPERDIS = 0). For details, see 32.3.3 RAM parity error detection function.

Remark The flash memory is divided into blocks (one block = 1 KB). For the address values and block numbers, see Table 3-1 Correspondence Between Address Values and Block Numbers in Flash Memory.



Correspondence between the address values and block numbers in the flash memory are shown below.

Table 3-1. Correspondence Between Address Values and Block Numbers in Flash Memory (1/2)

Address Value	Block Number	Address Value	Block Number	Address Value	Block Number	Address Value	Block Number
00000H to 003FFH	00H	08000H to 083FFH	20H	10000H to 103FFH	40H	18000H to 183FFH	60H
00400H to 007FFH	01H	08400H to 087FFH	21H	10400H to 107FFH	41H	18400H to 187FFH	61H
00800H to 00BFFH	02H	08800H to 08BFFH	22H	10800H to 10BFFH	42H	18800H to 18BFFH	62H
00C00H to 00FFFH	03H	08C00H to 08FFFH	23H	10C00H to 10FFFH	43H	18C00H to 18FFFH	63H
01000H to 013FFH	04H	09000H to 093FFH	24H	11000H to 113FFH	44H	19000H to 193FFH	64H
01400H to 017FFH	05H	09400H to 097FFH	25H	11400H to 117FFH	45H	19400H to 197FFH	65H
01800H to 01BFFH	06H	09800H to 09BFFH	26H	11800H to 11BFFH	46H	19800H to 19BFFH	66H
01C00H to 01FFFH	07H	09C00H to 09FFFH	27H	11C00H to 11FFFH	47H	19C00H to 19FFFH	67H
02000H to 023FFH	08H	0A000H to 0A3FFH	28H	12000H to 123FFH	48H	1A000H to 1A3FFH	68H
02400H to 027FFH	09H	0A400H to 0A7FFH	29H	12400H to 127FFH	49H	1A400H to 1A7FFH	69H
02800H to 02BFFH	0AH	0A800H to 0ABFFH	2AH	12800H to 12BFFH	4AH	1A800H to 1ABFFH	6AH
02C00H to 02FFFH	0BH	0AC00H to 0AFFFH	2BH	12C00H to 12FFFH	4BH	1AC00H to 1AFFFH	6BH
03000H to 033FFH	0CH	0B000H to 0B3FFH	2CH	13000H to 133FFH	4CH	1B000H to 1B3FFH	6CH
03400H to 037FFH	0DH	0B400H to 0B7FFH	2DH	13400H to 137FFH	4DH	1B400H to 1B7FFH	6DH
03800H to 03BFFH	0EH	0B800H to 0BBFFH	2EH	13800H to 13BFFH	4EH	1B800H to 1BBFFH	6EH
03C00H to 03FFFH	0FH	0BC00H to 0BFFFH	2FH	13C00H to 13FFFH	4FH	1BC00H to 1BFFFH	6FH
04000H to 043FFH	10H	0C000H to 0C3FFH	30H	14000H to 143FFH	50H	1C000H to 1C3FFH	70H
04400H to 047FFH	11H	0C400H to 0C7FFH	31H	14400H to 147FFH	51H	1C400H to 1C7FFH	71H
04800H to 04BFFH	12H	0C800H to 0CBFFH	32H	14800H to 14BFFH	52H	1C800H to 1CBFFH	72H
04C00H to 04FFFH	13H	0CC00H to 0CFFFH	33H	14C00H to 14FFFH	53H	1CC00H to 1CFFFH	73H
05000H to 053FFH	14H	0D000H to 0D3FFH	34H	15000H to 153FFH	54H	1D000H to 1D3FFH	74H
05400H to 057FFH	15H	0D400H to 0D7FFH	35H	15400H to 157FFH	55H	1D400H to 1D7FFH	75H
05800H to 05BFFH	16H	0D800H to 0DBFFH	36H	15800H to 15BFFH	56H	1D800H to 1DBFFH	76H
05C00H to 05FFFH	17H	0DC00H to 0DFFFH	37H	15C00H to 15FFFH	57H	1DC00H to 1DFFFH	77H
06000H to 063FFH	18H	0E000H to 0E3FFH	38H	16000H to 163FFH	58H	1E000H to 1E3FFH	78H
06400H to 067FFH	19H	0E400H to 0E7FFH	39H	16400H to 167FFH	59H	1E400H to 1E7FFH	79H
06800H to 06BFFH	1AH	0E800H to 0EBFFH	3AH	16800H to 16BFFH	5AH	1E800H to 1EBFFH	7AH
06C00H to 06FFFH	1BH	0EC00H to 0EFFFH	3BH	16C00H to 16FFFH	5BH	1EC00H to 1EFFFH	7BH
07000H to 073FFH	1CH	0F000H to 0F3FFH	3CH	17000H to 173FFH	5CH	1F000H to 1F3FFH	7CH
07400H to 077FFH	1DH	0F400H to 0F7FFH	3DH	17400H to 177FFH	5DH	1F400H to 1F7FFH	7DH
07800H to 07BFFH	1EH	0F800H to 0FBFFH	3EH	17800H to 17BFFH	5EH	1F800H to 1FBFFH	7EH
07C00H to 07FFFH	1FH	0FC00H to 0FFFFH	3FH	17C00H to 17FFFH	5FH	1FC00H to 1FFFFH	7FH

Remark R5F10NME, R5F10NLE: Block numbers 00H to 3FH
 R5F10NPG, R5F10NMG, R5F10NLG: Block numbers 00H to 7FH

<R>

Table 3-1. Correspondence Between Address Values and Block Numbers in Flash Memory (2/2)

Address Value	Block Number	Address Value	Block Number	Address Value	Block Number	Address Value	Block Number
20000H-203FFH	80H	28000H-283FFH	A0H	30000H-303FFH	C0H	38000H-383FFH	E0H
20400H-207FFH	81H	28400H-287FFH	A1H	30400H-307FFH	C1H	38400H-387FFH	E1H
20800H-20BFFH	82H	28800H-28BFFH	A2H	30800H-30BFFH	C2H	38800H-38BFFH	E2H
20C00H-20FFFH	83H	28C00H-28FFFH	A3H	30C00H-30FFFH	C3H	38C00H-38FFFH	E3H
21000H-213FFH	84H	29000H-293FFH	A4H	31000H-313FFH	C4H	39000H-393FFH	E4H
21400H-217FFH	85H	29400H-297FFH	A5H	31400H-317FFH	C5H	39400H-397FFH	E5H
21800H-21BFFH	86H	29800H-29BFFH	A6H	31800H-31BFFH	C6H	39800H-39BFFH	E6H
21C00H-21FFFH	87H	29C00H-29FFFH	A7H	31C00H-31FFFH	C7H	39C00H-39FFFH	E7H
22000H-223FFH	88H	2A000H-2A3FFH	A8H	32000H-323FFH	C8H	3A000H-3A3FFH	E8H
22400H-227FFH	89H	2A400H-2A7FFH	A9H	32400H-327FFH	C9H	3A400H-3A7FFH	E9H
22800H-22BFFH	8AH	2A800H-2ABFFH	AAH	32800H-32BFFH	CAH	3A800H-3ABFFH	EAH
22C00H-22FFFH	8BH	2AC00H-2AFFFH	ABH	32C00H-32FFFH	CBH	3AC00H-3AFFFH	EBH
23000H-233FFH	8CH	2B000H-2B3FFH	ACH	33000H-333FFH	CCH	3B000H-3B3FFH	ECH
23400H-237FFH	8DH	2B400H-2B7FFH	ADH	33400H-337FFH	CDH	3B400H-3B7FFH	EDH
23800H-23BFFH	8EH	2B800H-2BBFFH	AEH	33800H-33BFFH	CEH	3B800H-3BBFFH	EEH
23C00H-23FFFH	8FH	2BC00H-2BFFFH	AFH	33C00H-33FFFH	CFH	3BC00H-3BFFFH	EFH
24000H-243FFH	90H	2C000H-2C3FFH	B0H	34000H-343FFH	D0H	3C000H-3C3FFH	F0H
24400H-247FFH	91H	2C400H-2C7FFH	B1H	34400H-347FFH	D1H	3C400H-3C7FFH	F1H
24800H-24BFFH	92H	2C800H-2CBFFH	B2H	34800H-34BFFH	D2H	3C800H-3CBFFH	F2H
24C00H-24FFFH	93H	2CC00H-2CFFFH	B3H	34C00H-34FFFH	D3H	3CC00H-3CFFFH	F3H
25000H-253FFH	94H	2D000H-2D3FFH	B4H	35000H-353FFH	D4H	3D000H-3D3FFH	F4H
25400H-257FFH	95H	2D400H-2D7FFH	B5H	35400H-357FFH	D5H	3D400H-3D7FFH	F5H
25800H-25BFFH	96H	2D800H-2DBFFH	B6H	35800H-35BFFH	D6H	3D800H-3DBFFH	F6H
25C00H-25FFFH	97H	2DC00H-2DFFFH	B7H	35C00H-35FFFH	D7H	3DC00H-3DFFFH	F7H
26000H-263FFH	98H	2E000H-2E3FFH	B8H	36000H-363FFH	D8H	3E000H-3E3FFH	F8H
26400H-267FFH	99H	2E400H-2E7FFH	B9H	36400H-367FFH	D9H	3E400H-3E7FFH	F9H
26800H-26BFFH	9AH	2E800H-2EBFFH	BAH	36800H-36BFFH	DAH	3E800H-3EBFFH	FAH
26C00H-26FFFH	9BH	2EC00H-2EFFFH	BBH	36C00H-36FFFH	DBH	3EC00H-3EFFFH	FBH
27000H-273FFH	9CH	2F000H-2F3FFH	BCH	37000H-373FFH	DCH	3F000H-3F3FFH	FCH
27400H-277FFH	9DH	2F400H-2F7FFH	BDH	37400H-377FFH	DDH	3F400H-3F7FFH	FDH
27800H-27BFFH	9EH	2F800H-2FBFFH	BEH	37800H-37BFFH	DEH	3F800H-3FBFFH	FEH
27C00H-27FFFH	9FH	2FC00H-2FFFFH	BFH	37C00H-37FFFH	DFH	3FC00H-3FFFFH	FFH

Remark R5F10NPJ, R5F10NMJ: Block numbers 00H to FFH

3.1.1 Internal program memory space

The internal program memory space stores the program and table data.

The RL78/I1C products incorporate internal ROM (flash memory), as shown below.

Table 3-2. Internal ROM Capacity

Part Number	Internal ROM	
	Structure	Capacity
R5F10NME, R5F10NLE	Flash memory	65536 × 8 bits (00000H to 0FFFFH)
R5F10NPG, R5F10NMG, R5F10NLG		131072 × 8 bits (00000H to 1FFFFH)
R5F10NPJ, R5F10NMJ		262144 × 8 bits (00000H to 3FFFFH)

The internal program memory space is divided into the following areas.

(1) Vector table area

The 128-byte area 00000H to 0007FH is reserved as a vector table area. The program start addresses for branch upon reset or generation of each interrupt request are stored in the vector table area. Furthermore, the interrupt jump address is a 64 K address of 00000H to 0FFFFH, because the vector code is assumed to be 2 bytes.

Of the 16-bit address, the lower 8 bits are stored at even addresses and the higher 8 bits are stored at odd addresses.

To use the boot swap function, set a vector table also at 01000H to 0107FH.

Table 3-3. Vector Table (1/2)

Vector Table Address	Interrupt Source
0000H	RESET, POR, LVD, WDT, TRAP, IAW, RPE
0004H	INTWDTI
0006H	INTLVI
0008H	INTP0
000AH	INTP1
000CH	INTP2
000EH	INTP3
0010H	INTP4
0012H	INTP5
0014H	INTST2
0016H	INTSR2
0018H	INTSRE2
001AH	INTCR
001CH	INTAES/INTAESF
001EH	INTST0/INTCSI00/INTIIC00
0020H	INTIICA0
0022H	INTSR0
0024H	INTSRE0
	INTTM01H
0026H	INTST1/INTCSI10/INTIIC10
0028H	INTSR1
002AH	INTSRE1
	INTTM03H
002CH	INTTM00
0030H	INTFM
0032H	INTTM01
0034H	INTTM02
0036H	INTTM03
0038H	INTAD
003AH	INTRTCALM/INTRTCPRD
003CH	INTIT
003EH	INTKR
0040H	INTST3/INTCSI30/INTIIC30
0042H	INTSR3
0044H	INTDSAD

<R>

<R>

Table 3-3. Vector Table (2/2)

Vector Table Address	Interrupt Source
0046H	INTTM04
0048H	INTTM05
004AH	INTP6
004CH	INTP7
004EH	INTRTCIC0
0050H	INTRTCIC1
0052H	INTRTCIC2
0054H	INTTM06
0056H	INTTM07
0058H	INTIT00
005AH	INTIT01
005CH	INTSRE3
005EH	INTMACLOF
0060H	INTOSDC
0062H	INTFL
0064H	INTDSADZC0
0066H	INTDSADZC1
0068H	INTIT10
006AH	INTIT11
006CH	INTLVDVDD
006EH	INTLVDVBAT
0070H	INTLVDVRTC
0072H	INTLVDEXLVD
007EH	BRK

(2) CALLT instruction table area

The 64-byte area 00080H to 000BFH can store the subroutine entry address of a 2-byte call instruction (CALLT). Set the subroutine entry address to a value in a range of 00000H to 0FFFFH (because an address code is of 2 bytes).

To use the boot swap function, set a CALLT instruction table also at 01080H to 010BFH.

(3) Option byte area

A 4-byte area of 000C0H to 000C3H can be used as an option byte area. Set the option byte at 010C0H to 010C3H when the boot swap is used. For details, see **CHAPTER 35 OPTION BYTE**.

(4) On-chip debug security ID setting area

A 10-byte area of 000C4H to 000CDH and 010C4H to 010CDH can be used as an on-chip debug security ID setting area. Set the on-chip debug security ID of 10 bytes at 000C4H to 000CDH when the boot swap is not used and at 000C4H to 000CDH and 010C4H to 010CDH when the boot swap is used. For details, see **CHAPTER 37 ON-CHIP DEBUG FUNCTION**.

3.1.2 Mirror area

<R> The RL78/I1C mirrors the code flash area of 00000H to 0FFFFH, to F0000H to FFFFFH. The products with 128 KB or more flash memory mirror the code flash area of 00000H to 0FFFFH or 10000H to 1FFFFH, to F0000H to FFFFFH (the code flash area to be mirrored is set by the processor mode control register (PMC)).

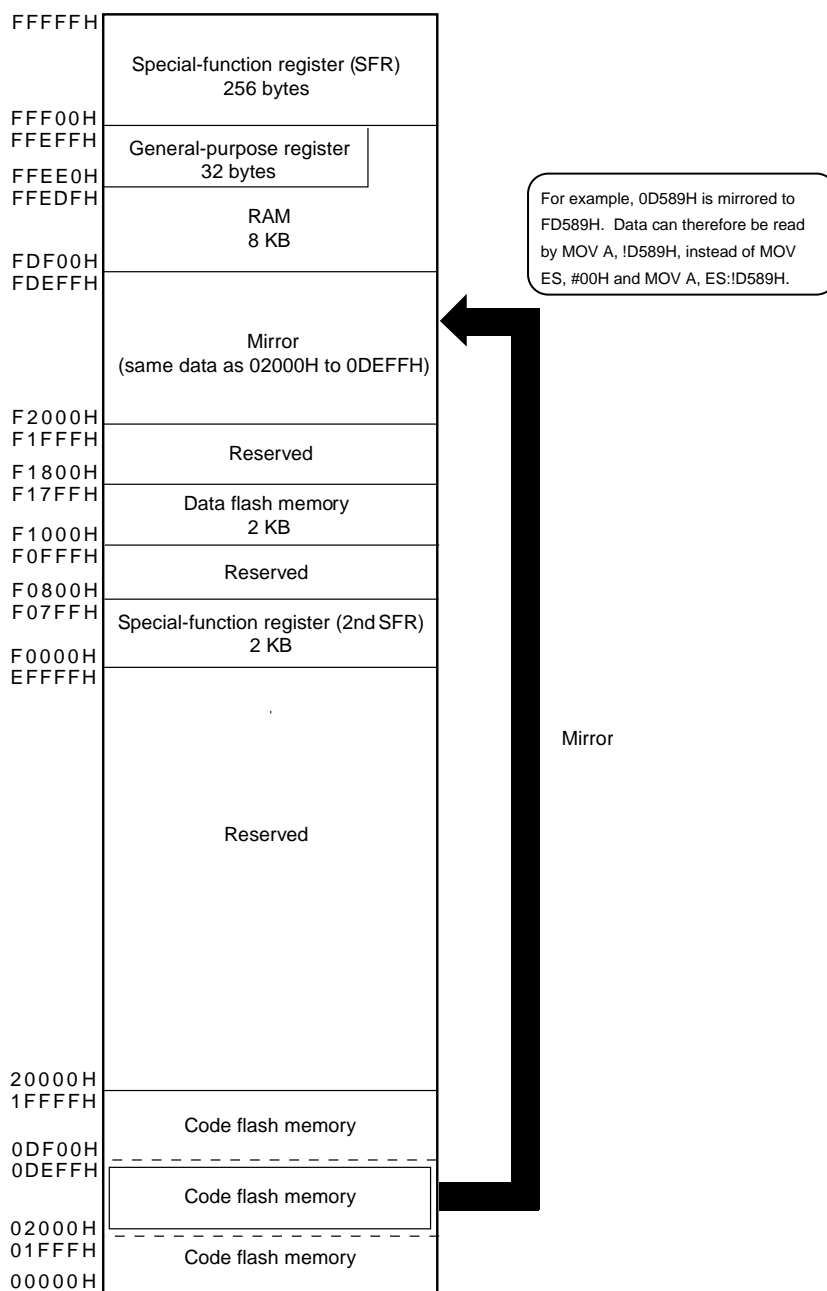
By reading data from F0000H to FFFFFH, an instruction that does not have the ES register as an operand can be used, and thus the contents of the code flash can be read with the shorter code. However, the code flash area is not mirrored to the SFR, extended SFR, RAM, and use prohibited areas.

See **3.1 Memory Space** for the mirror area of each product.

The mirror area can only be read and no instruction can be fetched from this area.

The following show examples.

<R> **Example R5F10NPG, R5F10NMG, R5F10NLG (Flash memory: 128 KB, RAM: 8 KB)**



The PMC register is described below.

• **Processor mode control register (PMC)**

This register sets the flash memory space for mirroring to area from F0000H to FFFFFH. The PMC register can be set by a 1-bit or 8-bit memory manipulation instruction. Reset signal generation sets this register to 00H.

Figure 3-4. Format of Configuration of Processor Mode Control Register (PMC)

Address: FFFFEH After reset: 00H R/W

Symbol	7	6	5	4	3	2	1	<0>
PMC	0	0	0	0	0	0	0	MAA

MAA	Selection of flash memory space for mirroring to area from F0000H to FFFFFH
0	00000H to 0FFFFH is mirrored to F0000H to FFFFFH
1	10000H to 1FFFFH is mirrored to F0000H to FFFFFH

- Cautions**
1. In products with 64 KB flash memory, be sure to clear bit 0 (MAA) of this register to 0 (default value).
 2. After setting the PMC register, wait for at least one instruction and access the mirror area.

3.1.3 Internal data memory space

The RL78/I1C products incorporate the following RAMs.

Table 3-4. Internal RAM Capacity

Part Number	Internal RAM
R5F10NME, R5F10NLE	6144 × 8 bits (FE700H to FFEFFH)
R5F10NPG, R5F10NMG, R5F10NLG	8192 × 8 bits (FDF00H to FFEFFH)
R5F10NPJ, R5F10NMJ	16384 × 8 bit (FBF00H to FFEFFH)

The internal RAM can be used as a data area and a program area where instructions are executed. (Instructions cannot be executed in the area to which general-purpose registers are allocated.) Four general-purpose register banks consisting of eight 8-bit registers per bank are assigned to the 32-byte area of FFEE0H to FFEFFH of the internal RAM area. The internal RAM is used as stack memory.

Cautions 1. The space (FFEE0H to FFEFFH) that the general-purpose registers are allocated cannot be used for fetching instructions or as a stack area.

2. Do not allocate RAM addresses which are used as a stack area, a data buffer used for flash library, a branch destination of vector interrupt processing, and a DTC transfer destination/transfer source to the area FFE20H to FFEDFH when performing self-programming or rewriting of the data flash memory.

3. Use of the RAM areas of the following products is prohibited when performing self-programming or rewriting of the data flash memory, because these areas are used for each library.

R5F10NPJ, R5F10NMJ: FBF00H-FC309H

R5F10NMG, R5F10NLG: FDF00H-FE309H

4. The internal RAM area of the following products cannot be used as a stack memory when using the trace function of on-chip debugging.

R5F10NPJ, R5F10NMJ: FC300H-FC6FFH

R5F10NMG, R5F10NLG: FE300H-FE6FFH

3.1.4 Special function register (SFR) area

On-chip peripheral hardware special function registers (SFRs) are allocated in the area FFF00H to FFFFFH (see **Table 3-5 in 3.2.4 Special function registers (SFRs)**).

Caution Do not access addresses to which SFRs are not assigned.

3.1.5 Extended special function register (2nd SFR: 2nd Special Function Register) area

On-chip peripheral hardware special function registers (2nd SFRs) are allocated in the area F0000H to F07FFH (see **Table 3-6 in 3.2.5 Extended special function registers (2nd SFRs: 2nd Special Function Registers)**).

SFRs other than those in the SFR area (FFF00H to FFFFFH) are allocated to this area. An instruction that accesses the extended SFR area, however, is 1 byte longer than an instruction that accesses the SFR area.

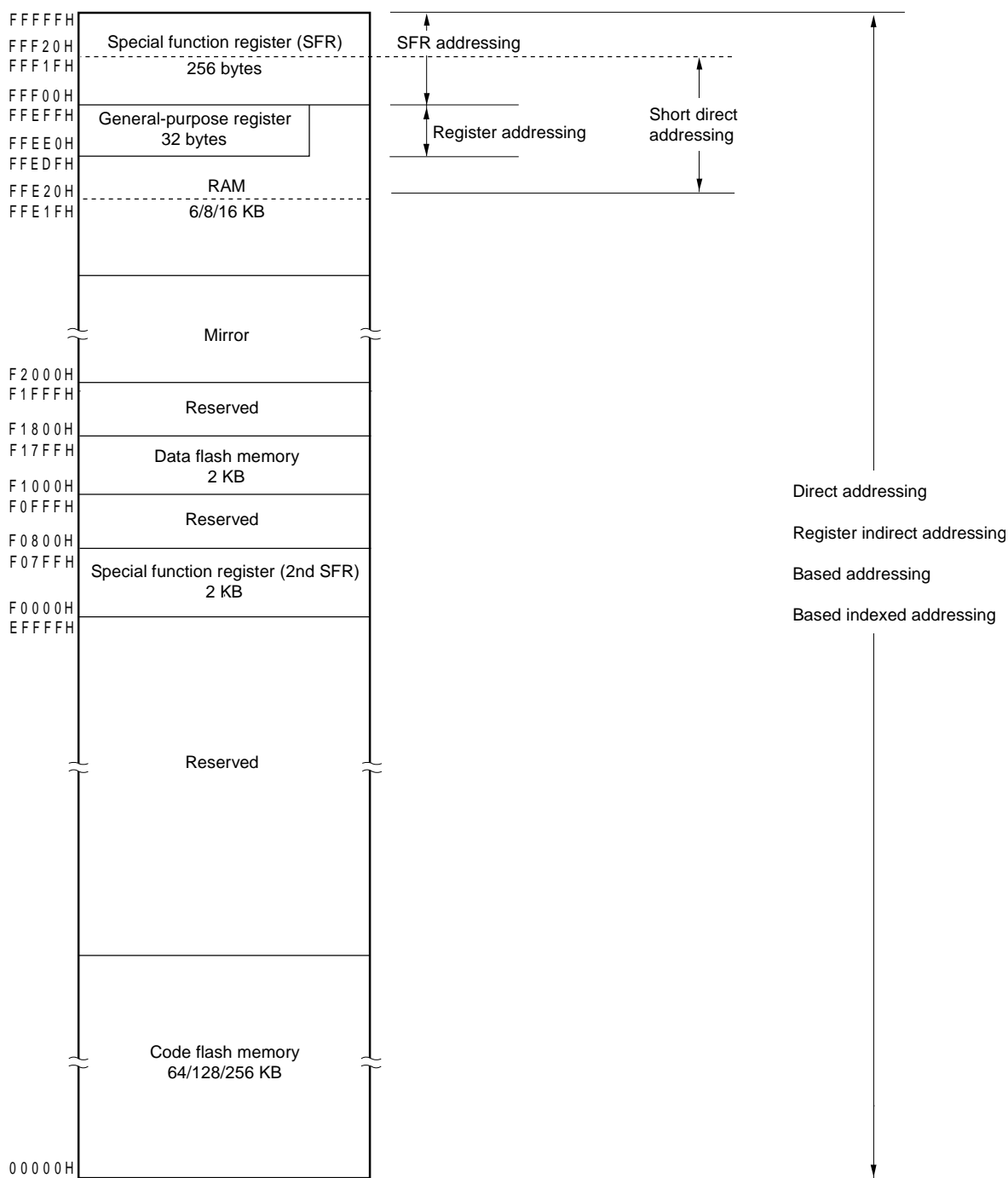
Caution Do not access addresses to which extended SFRs are not assigned.

3.1.6 Data memory addressing

Addressing refers to the method of specifying the address of the instruction to be executed next or the address of the register or memory relevant to the execution of instructions.

Several addressing modes are provided for addressing the memory relevant to the execution of instructions for the RL78/I1C, based on operability and other considerations. For areas containing data memory in particular, special addressing methods designed for the functions of the special function registers (SFR) and general-purpose registers are available for use. Figure 3-4 shows correspondence between data memory and addressing. For details of each addressing, see 3.4 Addressing for Processing Data Addresses.

Figure 3-5. Correspondence Between Data Memory and Addressing



3.2 Processor Registers

The RL78/I1C products incorporate the following processor registers.

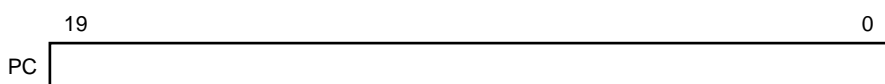
3.2.1 Control registers

The control registers control the program sequence, statuses and stack memory. The control registers consist of a program counter (PC), a program status word (PSW) and a stack pointer (SP).

(1) Program counter (PC)

The program counter is a 20-bit register that holds the address information of the next program to be executed. In normal operation, PC is automatically incremented according to the number of bytes of the instruction to be fetched. When a branch instruction is executed, immediate data and register contents are set. Reset signal generation sets the reset vector table values at addresses 0000H and 0001H to the program counter.

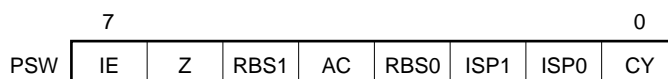
Figure 3-6. Format of Program Counter



(2) Program status word (PSW)

The program status word is an 8-bit register consisting of various flags set/reset by instruction execution. Program status word contents are stored in the stack area upon vectored interrupt request is acknowledged or PUSH PSW instruction execution and are restored upon execution of the RETB, RETI and POP PSW instructions. Reset signal generation sets the PSW register to 06H.

Figure 3-7. Format of Program Status Word



(a) Interrupt enable flag (IE)

This flag controls the interrupt request acknowledge operations of the CPU. When 0, the IE flag is set to the interrupt disabled (DI) state, and all maskable interrupt requests are disabled. When 1, the IE flag is set to the interrupt enabled (EI) state and maskable interrupt request acknowledgment is controlled with an in-service priority flag (ISP1, ISP0), an interrupt mask flag for various interrupt sources, and a priority specification flag. The IE flag is reset (0) upon DI instruction execution or interrupt acknowledgment and is set (1) upon EI instruction execution.

(b) Zero flag (Z)

When the operation result is zero or equal, this flag is set (1). It is reset (0) in all other cases.

(c) Register bank select flags (RBS0, RBS1)

These are 2-bit flags to select one of the four register banks. In these flags, the 2-bit information that indicates the register bank selected by SEL RBn instruction execution is stored.

(d) Auxiliary carry flag (AC)

If the operation result has a carry from bit 3 or a borrow at bit 3, this flag is set (1). It is reset (0) in all other cases.

(e) In-service priority flags (ISP1, ISP0)

This flag manages the priority of acknowledgeable maskable vectored interrupts. Vectored interrupt requests specified lower than the value of ISP0 and ISP1 flags by the priority specification flag registers (PRn0L, PRn0H, PRn1L, PRn1H, PRn2L, PRn2H, PRn3L) (see 24.3.3) can not be acknowledged. Actual vectored interrupt request acknowledgment is controlled by the interrupt enable flag (IE).

Remark n = 0, 1

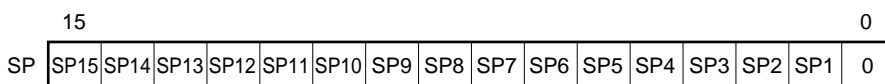
(f) Carry flag (CY)

This flag stores overflow and underflow upon add/subtract instruction execution. It stores the shift-out value upon rotate instruction execution and functions as a bit accumulator during bit operation instruction execution.

(3) Stack pointer (SP)

This is a 16-bit register to hold the start address of the memory stack area. Only the internal RAM area can be set as the stack area.

Figure 3-8. Format of Stack Pointer



In stack addressing through a stack pointer, the SP is decremented ahead of write (save) to the stack memory and is incremented after read (restored) from the stack memory.

Cautions 1. Since reset signal generation makes the SP contents undefined, be sure to initialize the SP before using the stack.

2. It is prohibited to use the general-purpose register (FFEE0H to FFEFFH) space for fetching instructions or a stack area.

<R> **3. Do not allocate RAM addresses which are used as a stack area, a data buffer, a branch destination of vector interrupt processing, and a DTC transfer destination/transfer source to the area FFE20H to FFEDFH when performing self-programming or rewriting of the data flash memory.**

<R> **4. Use of the RAM areas of the following products is prohibited when performing self-programming, or rewriting of the data flash memory, because these areas are used for each library.**

R5F10NPJ, R5F10NMJ: FBF00H-FC309H

R5F10NMG, R5F10NLG: FDF00H-FE309H

5. The internal RAM area of the following products cannot be used as a stack memory when using the trace function of on-chip debugging.

R5F10NPJ, R5F10NMJ: FC300H-FC6FFH

R5F10NMG, R5F10NLG: FE300H-FE6FFH

3.2.2 General-purpose registers

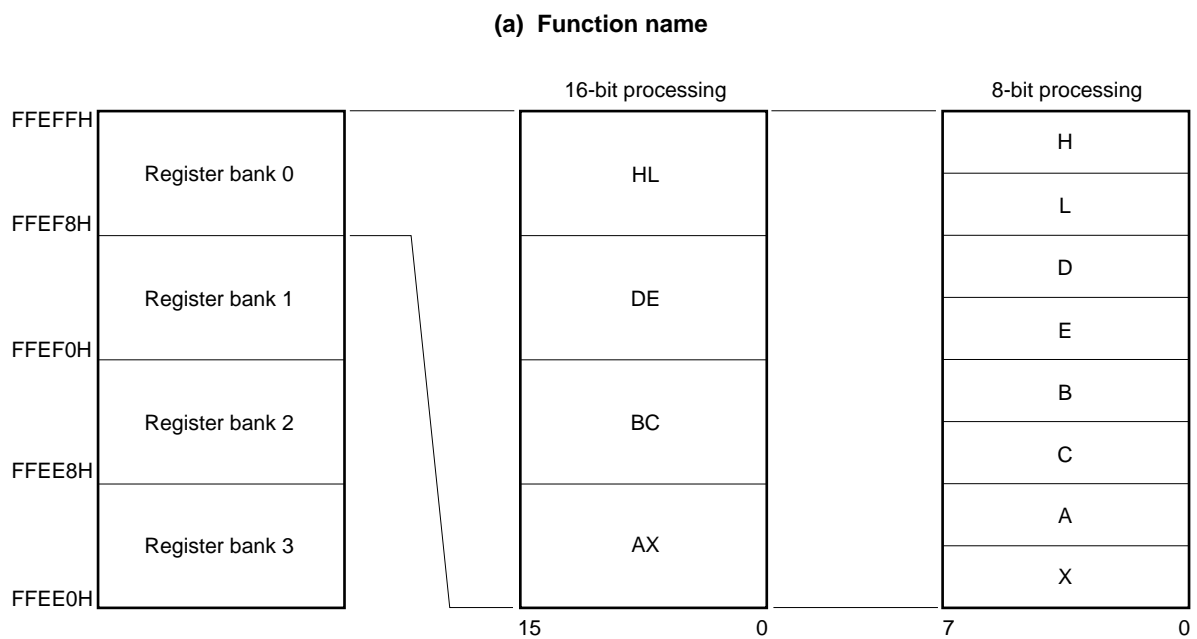
General-purpose registers are mapped at particular addresses (FFEE0H to FFEFFH) of the data memory. The general-purpose registers consists of 4 banks, each bank consisting of eight 8-bit registers (X, A, C, B, E, D, L, and H).

Each register can be used as an 8-bit register, and two 8-bit registers can also be used in a pair as a 16-bit register (AX, BC, DE, and HL).

Register banks to be used for instruction execution are set by the CPU control instruction (SEL RBn). Because of the 4-register bank configuration, an efficient program can be created by switching between a register for normal processing and a register for interrupts for each bank.

Caution It is prohibited to use the general-purpose register (FFEE0H to FFEFFH) space for fetching instructions or as a stack area.

Figure 3-9. Configuration of General-Purpose Registers

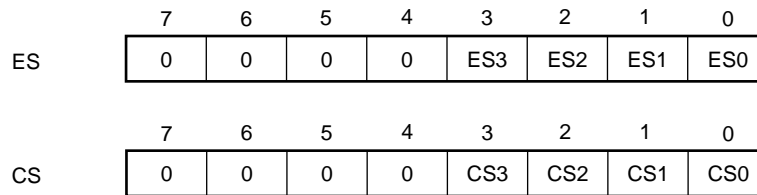


3.2.3 ES and CS registers

The ES register and CS register are used to specify the higher address for data access and when a branch instruction is executed (register direct addressing), respectively.

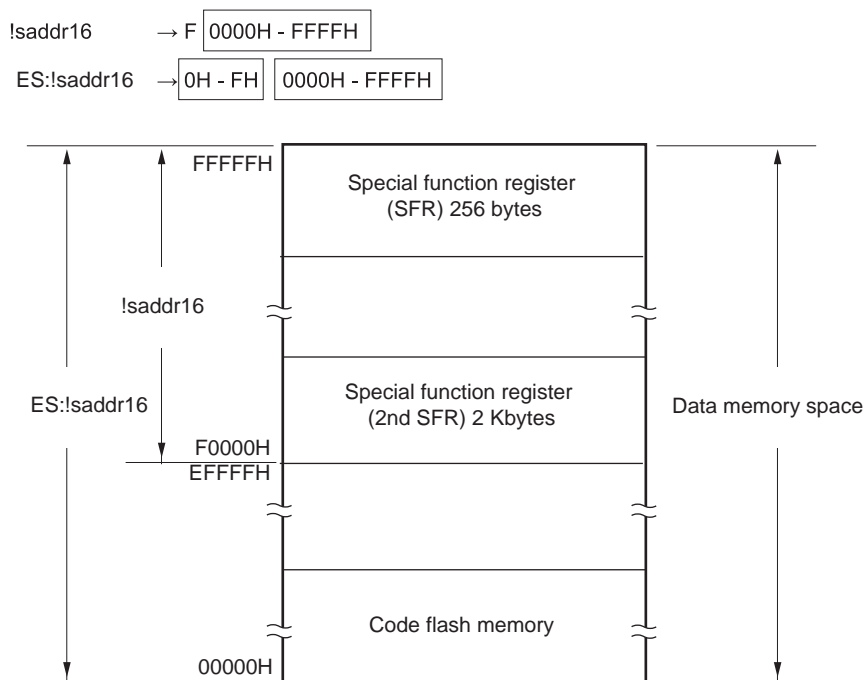
The default value of the ES register after reset is 0FH, and that of the CS register is 00H.

Figure 3-10. Configuration of ES and CS Registers



The data area that can be accessed by using 16-bit addresses is the 64 KB from F0000H to FFFFFH. By using the ES register, this area can be extended to the 1 MB from 00000H to FFFFFH.

Figure 3-11. Extension of Data Area Which Can Be Accessed



3.2.4 Special function registers (SFRs)

Unlike a general-purpose register, each SFR has a special function.

SFRs are allocated to the FFF00H to FFFFFH area.

SFRs can be manipulated like general-purpose registers, using operation, transfer, and bit manipulation instructions. The manipulable bit units, 1, 8, and 16, depend on the SFR type.

Each manipulation bit unit can be specified as follows.

- 1-bit manipulation

Describe as follows for the 1-bit manipulation instruction operand (sfr.bit).

When the bit name is defined: <Bit name>

When the bit name is not defined: <Register name>.<Bit number> or <Address>.<Bit number>

- 8-bit manipulation

Describe the symbol defined by the assembler for the 8-bit manipulation instruction operand (sfr). This manipulation can also be specified with an address.

- 16-bit manipulation

Describe the symbol defined by the assembler for the 16-bit manipulation instruction operand (sfrp). When specifying an address, describe an even address.

Table 3-5 gives a list of the SFRs. The meanings of items in the table are as follows.

- Symbol

Symbol indicating the address of a special function register. It is a reserved word in the assembler, and is defined as an sfr variable using the #pragma sfr directive in the compiler. When using the assembler, debugger, and simulator, symbols can be written as an instruction operand.

- R/W

Indicates whether the corresponding SFR can be read or written.

R/W: Read/write enable

R: Read only

W: Write only

- Manipulable bit units

“√” indicates the manipulable bit unit (1, 8, or 16). “–” indicates a bit unit for which manipulation is not possible.

- After reset

Indicates each register status upon reset signal generation.

Caution Do not access addresses to which extended SFRs are not assigned.

Remark For extended SFRs (2nd SFRs), see **3.2.5 Extended special function registers (2nd SFRs: 2nd Special Function Registers)**.

Table 3-5. SFR List (1/4)

Address	Special Function Register (SFR) Name	Symbol		R/W	Manipulable Bit Range			After Reset
					1-bit	8-bit	16-bit	
FFF00H	Port register 0	P0		R/W	√	√	–	00H
FFF01H	Port register 1	P1		R/W	√	√	–	00H
FFF02H	Port register 2	P2		R/W	√	√	–	00H
FFF03H	Port register 3	P3		R/W	√	√	–	00H
FFF04H	Port register 4	P4		R/W	√	√	–	00H
FFF05H	Port register 5	P5		R/W	√	√	–	00H
FFF06H	Port register 6	P6		R/W	√	√	–	00H
FFF07H	Port register 7	P7		R/W	√	√	–	00H
FFF08H	Port register 8	P8		R/W	√	√	–	00H
FFF0CH	Port register 12	P12		R/W	√	√	–	Undefined
FFF0DH	Port register 13	P13		R/W	√	√	–	Undefined
FFF0FH	Port register 15	P15		R/W	√	√	–	00H
FFF10H	Serial data register 00	TXD0/ SIO00	SDR00	R/W	–	√	√	0000H
FFF11H		–			–	–		
FFF12H	Serial data register 01	RXD0	SDR01	R/W	–	√	√	0000H
FFF13H		–			–	–		
<R> FFF14H	Serial data register 12	TXD3/ SIO30	SDR12	R/W ^{Note}	–	√	√	0000H
FFF15H		–			–	–		
<R> FFF16H	Serial data register 13	RXD3	SDR13	R/W ^{Note}	–	√	√	0000H
FFF17H		–			–	–		
FFF18H	Timer data register 00	TDR00		R/W	–	–	√	0000H
FFF19H								
FFF1AH	Timer data register 01	TDR01L	TDR01	R/W	–	√	√	00H
FFF1BH		TDR01H			–	√	00H	
FFF1EH	10-bit A/D conversion result register	ADCR		R	–	–	√	0000H
FFF1FH	8-bit A/D conversion result register	ADCRH		R	–	√	–	00H
FFF20H	Port mode register 0	PM0		R/W	√	√	–	FFH
FFF21H	Port mode register 1	PM1		R/W	√	√	–	FFH
FFF22H	Port mode register 2	PM2		R/W	√	√	–	FFH
FFF23H	Port mode register 3	PM3		R/W	√	√	–	FFH
FFF24H	Port mode register 4	PM4		R/W	√	√	–	FFH
FFF25H	Port mode register 5	PM5		R/W	√	√	–	FFH
FFF26H	Port mode register 6	PM6		R/W	√	√	–	FFH
FFF27H	Port mode register 7	PM7		R/W	√	√	–	FFH
FFF28H	Port mode register 8	PM8		R/W	√	√	–	FFH
FFF2CH	Port mode register 12	PM12		R/W	√	√	–	FFH
FFF2FH	Port mode register 15	PM15		R/W	√	√	–	FFH
FFF30H	A/D converter mode register 0	ADM0		R/W	√	√	–	00H
FFF31H	Analog input channel specification register	ADS		R/W	√	√	–	00H
FFF32H	A/D converter mode register 1	ADM1		R/W	√	√	–	00H
FFF34H	Key return control register	KRCTL		R/W	√	√	–	00H
FFF35H	Key return flag register	KRF		R/W	–	√	–	00H

<R> **Note** These registers for R5F10NMG, R5F10NLG, R5F10NME, and R5F10NLE can only be read.

Table 3-5. SFR List (2/4)

Address	Special Function Register (SFR) Name	Symbol		R/W	Manipulable Bit Range			After Reset
					1-bit	8-bit	16-bit	
FFF37H	Key return mode register 0	KRM0		R/W	√	√	—	00H
FFF38H	External interrupt rising edge enable register 0	EGP0		R/W	√	√	—	00H
FFF39H	External interrupt falling edge enable register 0	EGN0		R/W	√	√	—	00H
<R> FFF3AH	External interrupt rising edge enable register 1 ^{Note}	EGP1		R/W	√	√	—	00H
<R> FFF3BH	External interrupt falling edge enable register 1 ^{Note}	EGN1		R/W	√	√	—	00H
FFF3CH	Multiplication data register B(L)	MULBL		R/W	—	—	√	0000H
FFF3DH								
FFF3EH	Multiplication data register B(H)	MULBH		R/W	—	—	√	0000H
FFF3FH								
FFF40H	LCD mode register 0	LCDM0		R/W	—	√	—	00H
FFF41H	LCD mode register 1	LCDM1		R/W	√	√	—	00H
FFF42H	LCD clock control register 0	LCDC0		R/W	—	√	—	00H
FFF43H	LCD boost level control register	VLCD		R/W	—	√	—	04H
FFF44H	Serial data register 02	TXD1/ SIO10	SDR02	R/W	—	√	√	0000H
FFF45H		—			—	—		
FFF46H	Serial data register 03	RXD1	SDR03	R/W	—	√	√	0000H
FFF47H		—			—	—		
FFF48H	Serial data register 10	TXD2	SDR10	R/W	—	√	√	0000H
FFF49H		—			—	—		
FFF4AH	Serial data register 11	RXD2	SDR11	R/W	—	√	√	0000H
FFF4BH		—			—	—		
FFF50H	IICA shift register 0	IICA0		R/W	—	√	—	00H
FFF51H	IICA status register 0	IICS0		R	√	√	—	00H
FFF52H	IICA flag register 0	IICF0		R/W	√	√	—	00H
FFF64H	Timer data register 02	TDR02		R/W	—	—	√	0000H
FFF65H								
FFF66H	Timer data register 03	TDR03L	TDR03	R/W	—	√	√	00H
FFF67H		TDR03H			—	√	00H	
FFF68H	Timer data register 04	TDR04		R/W	—	—	√	0000H
FFF69H								
FFF6AH	Timer data register 05	TDR05		R/W	—	—	√	0000H
FFF6BH								
FFF6CH	Timer data register 06	TDR06		R/W	—	—	√	0000H
FFF6DH								
FFF6EH	Timer data register 07	TDR07		R/W	—	—	√	0000H
FFF6FH								

<R> **Note** This register is incorporated with 100-or 80-pin products, but is not incorporated with 64-pin products.

Table 3-5. SFR List (3/4)

Address	Special Function Register (SFR) Name	Symbol	R/W	Manipulable Bit Range			After Reset
				1-bit	8-bit	16-bit	
FFF90H	12-bit interval timer control register	ITMC	R/W	—	—	√	0FFFH
FFF91H							
FFFA0H	Clock operation mode control register	CMC	R/W	—	√	—	00H ^{Note 1}
FFFA1H	Clock operation status control register	CSC	R/W	√	√	—	C0H ^{Note 1}
FFFA2H	Oscillation stabilization time counter status register	OSTC	R	√	√	—	00H
FFFA3H	Oscillation stabilization time select register	OSTS	R/W	—	√	—	07H
FFFA4H	System clock control register	CKC	R/W	√	√	—	00H
FFFA5H	Clock output select register 0	CKS0	R/W	√	√	—	00H
FFFA6H	Clock output select register 1	CKS1	R/W	√	√	—	00H
FFFA7H	Subsystem clock select register	CKSEL	R/W	√	√	—	00H
FFFA8H	Reset control flag register	RESF	R	—	√	—	Undefined ^{Note 2}
FFFA9H	Voltage detection register	LVIM	R/W	√	√	—	00H ^{Note 2}
FFFAAH	Voltage detection level register	LVIS	R/W	√	√	—	00H/01H/ 81H ^{Note 2}
FFFABH	Watchdog timer enable register	WDTE	R/W	—	√	—	1AH/9AH ^{Note 3}
FFFACH	CRC input register	CRCIN	R/W	—	√	—	00H
FFFD0H	Interrupt request flag register 2L	IF2L	IF2	R/W	√	√	00H
FFFD1H	Interrupt request flag register 2H	IF2H		R/W	√	√	
FFFD2H	Interrupt request flag register 3L	IF3L	IF3	R/W	√	√	00H
FFFD4H	Interrupt mask flag register 2L	MK2L		MK2	R/W	√	
FFFD5H	Interrupt mask flag register 2H	MK2H	R/W		√	√	FFH
FFFD6H	Interrupt mask flag register 3L	MK3L	MK3	R/W	√	√	FFH

- Notes**
1. This register is reset only by a power-on reset.
 2. The reset values of the registers vary depending on the reset source as shown below.

Reset Source		RESET Input	Reset by POR	Reset by Execution of Illegal Instruction	Reset by WDT	Reset by RAM Parity Error	Reset by Illegal-Memory Access	Reset by LVD
Register	RESF	TRAP	Cleared (0)	Set (1)	Held			Held
		WDTRF		Held	Set (1)	Held		
		RPERF		Held		Set (1)	Held	
		IAWRF		Held		Set (1)		
		LVIRF		Held				
LVIM	LVISEN	Cleared (0)						Held
	LVIOMSK	Held						
	LVIF							
LVIS		Cleared (00H/01H/81H)						Clear (00H/81H) ^{Note 4}

3. The reset value of the WDTE register is determined by the setting of the option byte.
4. When option byte LVIMDS1, LVIMDS0 = 0, 1: LVD reset is not generated.

Table 3-5. SFR List (4/4)

Address	Special Function Register (SFR) Name	Symbol		R/W	Manipulable Bit Range			After Reset
					1-bit	8-bit	16-bit	
FFFD8H	Priority specification flag register 02L	PR02L	PR02	R/W	√	√	√	FFH
FFFD9H	Priority specification flag register 02H	PR02H		R/W	√	√		FFH
FFFDAH	Priority specification flag register 03L	PR03L	PR03	R/W	√	√	√	FFH
FFFDCH	Priority specification flag register 12L	PR12L	PR12	R/W	√	√	√	FFH
FFDDH	Priority specification flag register 12H	PR12H		R/W	√	√		FFH
FFFDEH	Priority specification flag register 13L	PR13L	PR13	R/W	√	√	√	FFH
FFFE0H	Interrupt request flag register 0L	IF0L	IF0	R/W	√	√	√	00H
FFFE1H	Interrupt request flag register 0H	IF0H		R/W	√	√		00H
FFFE2H	Interrupt request flag register 1L	IF1L	IF1	R/W	√	√	√	00H
FFFE3H	Interrupt request flag register 1H	IF1H		R/W	√	√		00H
FFFE4H	Interrupt mask flag register 0L	MK0L	MK0	R/W	√	√	√	FFH
FFFE5H	Interrupt mask flag register 0H	MK0H		R/W	√	√		FFH
FFFE6H	Interrupt mask flag register 1L	MK1L	MK1	R/W	√	√	√	FFH
FFFE7H	Interrupt mask flag register 1H	MK1H		R/W	√	√		FFH
FFFE8H	Priority specification flag register 00L	PR00L	PR00	R/W	√	√	√	FFH
FFFE9H	Priority specification flag register 00H	PR00H		R/W	√	√		FFH
FFFEAH	Priority specification flag register 01L	PR01L	PR01	R/W	√	√	√	FFH
FFFEBH	Priority specification flag register 01H	PR01H		R/W	√	√		FFH
FFFECH	Priority specification flag register 10L	PR10L	PR10	R/W	√	√	√	FFH
FF FEDH	Priority specification flag register 10H	PR10H		R/W	√	√		FFH
FFFE EH	Priority specification flag register 11L	PR11L	PR11	R/W	√	√	√	FFH
FFFE FH	Priority specification flag register 11H	PR11H		R/W	√	√		FFH
FFFF0H	Multiply and accumulation register (L)	MACRL		R/W	-	-	√	0000H
FFFF1H								
FFFF2H	Multiply and accumulation register (H)	MACRH		R/W	-	-	√	0000H
FFFF3H								
FFFFEH	Processor mode control register	PMC		R/W	√	√	-	00H

Remark For extended SFRs (2nd SFRs), see **Table 3-6 Extended SFR (2nd SFR) List**.

3.2.5 Extended special function registers (2nd SFRs: 2nd Special Function Registers)

Unlike a general-purpose register, each extended SFR (2nd SFR) has a special function.

Extended SFRs are allocated to the F0000H to F07FFH area. SFRs other than those in the SFR area (FFF00H to FFFFFH) are allocated to this area. An instruction that accesses the extended SFR area, however, is 1 byte longer than an instruction that accesses the SFR area.

Extended SFRs can be manipulated like general-purpose registers, using operation, transfer, and bit manipulation instructions. The manipulable bit units, 1, 8, and 16, depend on the SFR type.

Each manipulation bit unit can be specified as follows.

- 1-bit manipulation
Describe as follows for the 1-bit manipulation instruction operand (!addr16.bit).
When the bit name is defined: <Bit name>
When the bit name is not defined: <Register name>.<Bit number> or <Address>.<Bit number>
- 8-bit manipulation
Describe the symbol defined by the assembler for the 8-bit manipulation instruction operand (!addr16). This manipulation can also be specified with an address.
- 16-bit manipulation
Describe the symbol defined by the assembler for the 16-bit manipulation instruction operand (!addr16). When specifying an address, describe an even address.

Table 3-6 gives a list of the extended SFRs. The meanings of items in the table are as follows.

- Symbol
Symbol indicating the address of an extended SFR. It is a reserved word in the assembler, and is defined as an sfr variable using the #pragma sfr directive in the compiler. When using the assembler, debugger, and simulator, symbols can be written as an instruction operand.
- R/W
Indicates whether the corresponding extended SFR can be read or written.
R/W: Read/write enable
R: Read only
W: Write only
- Manipulable bit units
“√” indicates the manipulable bit unit (1, 8, or 16). “–” indicates a bit unit for which manipulation is not possible.
- After reset
Indicates each register status upon reset signal generation.

Caution Do not access addresses to which extended SFRs are not assigned.

Remark For SFRs in the SFR area, see 3.2.4 Special function registers (SFRs).

Table 3-6. Extended SFR (2nd SFR) List (1/11)

Address	Special Function Register (SFR) Name	Symbol	R/W	Manipulable Bit Range			After Reset
				1-bit	8-bit	16-bit	
F0010H	A/D converter mode register 2	ADM2	R/W	√	√	–	00H
F0011H	Conversion result comparison upper limit setting register	ADUL	R/W	–	√	–	FFH
F0012H	Conversion result comparison lower limit setting register	ADLL	R/W	–	√	–	00H
F0013H	A/D test register	ADTES	R/W	–	√	–	00H
F0030H	Pull-up resistor option register 0	PU0	R/W	√	√	–	00H
F0031H	Pull-up resistor option register 1	PU1	R/W	√	√	–	00H
F0033H	Pull-up resistor option register 3	PU3	R/W	√	√	–	00H
F0034H	Pull-up resistor option register 4	PU4	R/W	√	√	–	01H
F0035H	Pull-up resistor option register 5	PU5	R/W	√	√	–	00H
F0037H	Pull-up resistor option register 7	PU7	R/W	√	√	–	00H
F0038H	Pull-up resistor option register 8	PU8	R/W	√	√	–	00H
F003CH	Pull-up resistor option register 12	PU12	R/W	√	√	–	00H
F003FH	Pull-up resistor option register 15	PU15	R/W	√	√	–	07H
F0040H	Port input mode register 0	PIM0	R/W	√	√	–	00H
F0041H	Port input mode register 1	PIM1	R/W	√	√	–	00H
<R> F0043H	Port input mode register 3 ^{Note 3}	PIM3	R/W	√	√	–	00H
F0045H	Port input mode register 5	PIM5	R/W	√	√	–	00H
F0048H	Port input mode register 8	PIM8	R/W	√	√	–	00H
F0050H	Port output mode register 0	POM0	R/W	√	√	–	00H
F0051H	Port output mode register 1	POM1	R/W	√	√	–	00H
<R> F0053H	Port output mode register 3 ^{Note 3}	POM3	R/W	√	√	–	00H
F0055H	Port output mode register 5	POM5	R/W	√	√	–	00H
F0058H	Port output mode register 8	POM8	R/W	√	√	–	00H
F0070H	Noise filter enable register 0	NFEN0	R/W	√	√	–	00H
F0071H	Noise filter enable register 1	NFEN1	R/W	√	√	–	00H
F0073H	Input switch control register	ISC	R/W	√	√	–	00H
F0074H	Timer input select register 0	TIS0	R/W	–	√	–	00H
F0076H	A/D port configuration register	ADPC	R/W	–	√	–	00H
<R> F0077H	Peripheral I/O redirection register 0	PIOR0	R/W	–	√	–	00H
F0078H	Invalid memory access detection control register	IAWCTL	R/W	–	√	–	00H
F007AH	Frequency measurement circuit clock select register	FMCKS	R/W	√	√	–	00H
F007BH	Port mode select register	PMS	R/W	√	√	–	00H
F007DH	Global digital input disable register	GDIDIS	R/W	√	√	–	00H
F0090H	Data flash control register	DFLCTL	R/W	√	√	–	00H
F0098H	Peripheral clock control register	PCKC	R/W	√	√	–	00H
F00A8H	High-speed on-chip oscillator frequency select register	HOCODIV	R/W	–	√	–	Undefined ^{Note 1}
F00AAH	Flash operation mode select register	FLMODE	R/W	√	√	–	Note 2
<R> F00ABH	Flash operating mode protect register	FLMWRP	R/W	√	√	–	00H

Notes 1. The value set by FRQSEL2 to FRQSEL0 of the option byte 000C2H.

2. The reset value of the FLMODE register is determined by the setting of the option byte.

<R> 3. This register is incorporated with 64-pin products, but is not incorporated with 100- or 80-pin products.

Table 3-6. Extended SFR (2nd SFR) List (2/11)

Address	Special Function Register (SFR) Name	Symbol	R/W	Manipulable Bit Range			After Reset	
				1-bit	8-bit	16-bit		
F00F0H	Peripheral enable register 0	PER0	R/W	√	√	–	00H	
F00F1H	Peripheral reset control register 0	PRR0	R/W	√	√	–	00H	
F00F2H	Mid-speed on-chip oscillator frequency select register	MOCODIV	R/W	–	√	–	00H	
<R> F00F3H	Subsystem clock supply option control register	OSMC	R/W	√	√	–	00H	
F00F5H	RAM parity error control register	RPECTL	R/W	√	√	–	00H	
<R> F00F8H	Regulator mode control register	PMMC	R/W	√	√	–	00H	
F00F9H	Power-on-reset status register	PORSR	R/W	–	√	–	00H ^{Note}	
F00FAH	Peripheral enable register 1	PER1	R/W	√	√	–	00H	
F00FBH	Peripheral reset control register 1	PRR1	R/W	√	√	–	00H	
F00FCH	Peripheral enable register 2	PER2	R/W	√	√	–	00H	
F00FDH	Peripheral reset control register 2	PRR2	R/W	√	√	–	00H	
F00FEH	BCD adjust result register	BCDADJ	R	–	√	–	Undefined	
F0100H	Serial status register 00	SSR00L	SSR00	R	–	√	√	0000H
F0101H		–			–			
F0102H	Serial status register 01	SSR01L	SSR01	R	–	√	√	0000H
F0103H		–			–			
F0104H	Serial status register 02	SSR02L	SSR02	R	–	√	√	0000H
F0105H		–			–			
F0106H	Serial status register 03	SSR03L	SSR03	R	–	√	√	0000H
F0107H		–			–			
F0108H	Serial flag clear trigger register 00	SIR00L	SIR00	R/W	–	√	√	0000H
F0109H		–			–			
F010AH	Serial flag clear trigger register 01	SIR01L	SIR01	R/W	–	√	√	0000H
F010BH		–			–			
F010CH	Serial flag clear trigger register 02	SIR02L	SIR02	R/W	–	√	√	0000H
F010DH		–			–			
F010EH	Serial flag clear trigger register 03	SIR03L	SIR03	R/W	–	√	√	0000H
F010FH		–			–			
F0110H	Serial mode register 00	SMR00	R/W	–	–	√	0020H	
F0111H				–	–			
F0112H	Serial mode register 01	SMR01	R/W	–	–	√	0020H	
F0113H				–	–			
F0114H	Serial mode register 02	SMR02	R/W	–	–	√	0020H	
F0115H				–	–			
F0116H	Serial mode register 03	SMR03	R/W	–	–	√	0020H	
F0117H				–	–			
F0118H	Serial communication operation setting register 00	SCR00	R/W	–	–	√	0087H	
F0119H				–	–			

Note This register is reset only by a power-on reset.

Table 3-6. Extended SFR (2nd SFR) List (3/11)

Address	Special Function Register (SFR) Name	Symbol		R/W	Manipulable Bit Range			After Reset
					1-bit	8-bit	16-bit	
F011AH	Serial communication operation setting register 01	SCR01		R/W	–	–	√	0087H
F011BH								
F011CH	Serial communication operation setting register 02	SCR02		R/W	–	–	√	0087H
F011DH								
F011EH	Serial communication operation setting register 03	SCR03		R/W	–	–	√	0087H
F011FH								
F0120H	Serial channel enable status register 0	SE0L	SE0	R	√	√	√	0000H
F0121H		–						
F0122H	Serial channel start register 0	SS0L	SS0	R/W	√	√	√	0000H
F0123H		–						
F0124H	Serial channel stop register 0	ST0L	ST0	R/W	√	√	√	0000H
F0125H		–						
F0126H	Serial clock select register 0	SPS0L	SPS0	R/W	–	√	√	0000H
F0127H		–						
F0128H	Serial output register 0	SO0		R/W	–	–	√	0F0FH
F0129H								
F012AH	Serial output enable register 0	SOE0L	SOE0	R/W	√	√	√	0000H
F012BH		–						
F0134H	Serial output level register 0	SOL0L	SOL0	R/W	–	√	√	0000H
F0135H		–						
F0138H	Serial standby control register 0	SSC0L	SSC0	R/W	–	√	√	0000H
F0139H		–						
F0140H	Serial status register 10	SSR10L	SSR10	R	–	√	√	0000H
F0141H		–						
F0142H	Serial status register 11	SSR11L	SSR11	R	–	√	√	0000H
F0143H		–						
F0144H	Serial status register 12	SSR12L	SSR12	R	–	√	√	0000H
F0145H		–						
F0146H	Serial status register 13	SSR13L	SSR13	R	–	√	√	0000H
F0147H		–						
F0148H	Serial flag clear trigger register 10	SIR10L	SIR10	R/W	–	√	√	0000H
F0149H		–						
F014AH	Serial flag clear trigger register 11	SIR11L	SIR11	R/W	–	√	√	0000H
F014BH		–						
<R> F014CH	Serial flag clear trigger register 12	SIR12L	SIR12	R/W ^{Note}	–	√	√	0000H
F014DH		–						
<R> F014EH	Serial flag clear trigger register 13	SIR13L	SIR13	R/W ^{Note}	–	√	√	0000H
F014FH		–						
F0150H	Serial mode register 10	SMR10		R/W	–	–	√	0020H
F0151H								
F0152H	Serial mode register 11	SMR11		R/W	–	–	√	0020H
F0153H								

<R> **Note** These registers for R5F10NMG, R5F10NLG, R5F10NME, and R5F10NLE can only be read.

Table 3-6. Extended SFR (2nd SFR) List (4/11)

	Address	Special Function Register (SFR) Name	Symbol		R/W	Manipulable Bit Range			After Reset
						1-bit	8-bit	16-bit	
<R>	F0154H	Serial mode register 12	SMR12		R/W ^{Note 1}	—	—	√	0020H/0000H ^{Note 2}
	F0155H								
<R>	F0156H	Serial mode register 13	SMR13		R/W ^{Note 1}	—	—	√	0020H/0000H ^{Note 2}
	F0157H								
	F0158H	Serial communication operation setting register 10	SCR10		R/W	—	—	√	0087H
	F0159H								
	F015AH	Serial communication operation setting register 11	SCR11		R/W	—	—	√	0087H
	F015BH								
<R>	F015CH	Serial communication operation setting register 12	SCR12		R/W ^{Note 1}	—	—	√	0087H/0000H ^{Note 3}
	F015DH								
<R>	F015EH	Serial communication operation setting register 13	SCR13		R/W ^{Note 1}	—	—	√	0087H/0000H ^{Note 3}
	F015FH								
	F0160H	Serial channel enable status register 1	SE1L	SE1	R	√	√	√	0000H
	F0161H		—			—			
	F0162H	Serial channel start register 1	SS1L	SS1	R/W	√	√	√	0000H
	F0163H		—			—			
	F0164H	Serial channel stop register 1	ST1L	ST1	R/W	√	√	√	0000H
	F0165H		—			—			
	F0166H	Serial clock select register 1	SPS1L	SPS1	R/W	—	√	√	0000H
	F0167H		—			—			
	F0168H	Serial output register 1	SO1		R/W	—	—	√	0F0FH/0303H ^{Note 4}
	F0169H								
	F016AH	Serial output enable register 1	SOE1L	SOE1	R/W	√	√	√	0000H
	F016BH		—			—			
	F0174H	Serial output level register 1	SOL1L	SOL1	R/W	—	√	√	0000H
	F0175H		—			—			
	F0180H	Timer counter register 00	TCR00		R	—	—	√	FFFFH
	F0181H								
	F0182H	Timer counter register 01	TCR01		R	—	—	√	FFFFH
	F0183H								
	F0184H	Timer counter register 02	TCR02		R	—	—	√	FFFFH
	F0185H								
	F0186H	Timer counter register 03	TCR03		R	—	—	√	FFFFH
	F0187H								
	F0188H	Timer counter register 04	TCR04		R	—	—	√	FFFFH
	F0189H								
	F018AH	Timer counter register 05	TCR05		R	—	—	√	FFFFH
	F018BH								
	F018CH	Timer counter register 06	TCR06		R	—	—	√	FFFFH
	F018DH								

<R> **Notes** 1. These registers for R5F10NMG, R5F10NLG, R5F10NME, and R5F10NLE can only be read.

<R> 2. R5F10NPJ, R5F10NMJ, R5F10NPG: 0020H
R5F10NMG, R5F10NLG, R5F10NME, R5F10NLE: 0000H

<R> 3. R5F10NPJ, R5F10NMJ, R5F10NPG: 0087H
R5F10NMG, R5F10NLG, R5F10NME, R5F10NLE: 0000H

<R> 4. R5F10NPJ, R5F10NMJ, R5F10NPG: 0F0FH
R5F10NMG, R5F10NLG, R5F10NME, R5F10NLE: 0303H

Table 3-6. Extended SFR (2nd SFR) List (5/11)

Address	Special Function Register (SFR) Name	Symbol		R/W	Manipulable Bit Range			After Reset
					1-bit	8-bit	16-bit	
F018EH	Timer counter register 07	TCR07		R	–	–	√	FFFFH
F018FH								
F0190H	Timer mode register 00	TMR00		R/W	–	–	√	0000H
F0191H								
F0192H	Timer mode register 01	TMR01		R/W	–	–	√	0000H
F0193H								
F0194H	Timer mode register 02	TMR02		R/W	–	–	√	0000H
F0195H								
F0196H	Timer mode register 03	TMR03		R/W	–	–	√	0000H
F0197H								
F0198H	Timer mode register 04	TMR04		R/W	–	–	√	0000H
F0199H								
F019AH	Timer mode register 05	TMR05		R/W	–	–	√	0000H
F019BH								
F019CH	Timer mode register 06	TMR06		R/W	–	–	√	0000H
F019DH								
F019EH	Timer mode register 07	TMR07		R/W	–	–	√	0000H
F019FH								
F01A0H	Timer status register 00	TSR00L	TSR00	R	–	√	√	0000H
F01A1H		–			–			
F01A2H	Timer status register 01	TSR01L	TSR01	R	–	√	√	0000H
F01A3H		–			–			
F01A4H	Timer status register 02	TSR02L	TSR02	R	–	√	√	0000H
F01A5H		–			–			
F01A6H	Timer status register 03	TSR03L	TSR03	R	–	√	√	0000H
F01A7H		–			–			
F01A8H	Timer status register 04	TSR04L	TSR04	R	–	√	√	0000H
F01A9H		–			–			
F01AAH	Timer status register 05	TSR05L	TSR05	R	–	√	√	0000H
F01ABH		–			–			
F01ACH	Timer status register 06	TSR06L	TSR06	R	–	√	√	0000H
F01ADH		–			–			
F01AEH	Timer status register 07	TSR07L	TSR07	R	–	√	√	0000H
F01AFH		–			–			
F01B0H	Timer channel enable status register 0	TE0L	TE0	R	√	√	√	0000H
F01B1H		–			–			
F01B2H	Timer channel start register 0	TS0L	TS0	R/W	√	√	√	0000H
F01B3H		–			–			
F01B4H	Timer channel stop register 0	TT0L	TT0	R/W	√	√	√	0000H
F01B5H		–			–			
F01B6H	Timer clock select register 0	TPS0		R/W	–	–	√	0000H
F01B7H								

Table 3-6. Extended SFR (2nd SFR) List (6/11)

Address	Special Function Register (SFR) Name	Symbol		R/W	Manipulable Bit Range			After Reset
					1-bit	8-bit	16-bit	
F01B8H	Timer output register 0	TO0L	TO0	R/W	–	√	√	0000H
F01B9H		–			–			
F01BAH	Timer output enable register 0	TOE0L	TOE0	R/W	√	√	√	0000H
F01BBH		–			–			
F01BCH	Timer output level register 0	TOL0L	TOL0	R/W	–	√	√	0000H
F01BDH		–			–			
F01BEH	Timer output mode register 0	TOM0L	TOM0	R/W	–	√	√	0000H
F01BFH		–			–			
F0230H	IICA control register 00	IICCTL00		R/W	√	√	–	00H
F0231H	IICA control register 01	IICCTL01		R/W	√	√	–	00H
F0232H	IICA low-level width setting register 0	IICWLO		R/W	–	√	–	FFH
F0233H	IICA high-level width setting register 0	IICWH0		R/W	–	√	–	FFH
F0234H	Slave address register 0	SVA0		R/W	–	√	–	00H
F0240H	Event output destination select register00	ELSELR00		R/W	–	√	–	00H
F0241H	Event output destination select register01	ELSELR01		R/W	–	√	–	00H
F0242H	Event output destination select register02	ELSELR02		R/W	–	√	–	00H
F0243H	Event output destination select register03	ELSELR03		R/W	–	√	–	00H
F0244H	Event output destination select register04	ELSELR04		R/W	–	√	–	00H
F0245H	Event output destination select register05	ELSELR05		R/W	–	√	–	00H
F0246H	Event output destination select register06	ELSELR06		R/W	–	√	–	00H
F0247H	Event output destination select register07	ELSELR07		R/W	–	√	–	00H
F0248H	Event output destination select register08	ELSELR08		R/W	–	√	–	00H
F0249H	Event output destination select register09	ELSELR09		R/W	–	√	–	00H
F024AH	Event output destination select register10	ELSELR10		R/W	–	√	–	00H
F024BH	Event output destination select register11	ELSELR11		R/W	–	√	–	00H
F024CH	Event output destination select register12	ELSELR12		R/W	–	√	–	00H
F024DH	Event output destination select register13	ELSELR13		R/W	–	√	–	00H
F024EH	Event output destination select register14	ELSELR14		R/W	–	√	–	00H
F025FH	Event output destination select register15	ELSELR15		R/W	–	√	–	00H
F0250H	Event output destination select register16	ELSELR16		R/W	–	√	–	00H
F0251H	Event output destination select register17	ELSELR17		R/W	–	√	–	00H
F0252H	Event output destination select register18	ELSELR18		R/W	–	√	–	00H
F0253H	Event output destination select register19	ELSELR19		R/W	–	√	–	00H
F0254H	Event output destination select register20	ELSELR20		R/W	–	√	–	00H
F0255H	Event output destination select register21	ELSELR21		R/W	–	√	–	00H
F0280H	Multiplication data register A (L) (Unsigned)	MUL32UL		R/W	–	–	√	0000H
F0281H								
F0282H	Multiplication data register A (H) (Unsigned)	MUL32UH		R/W	–	–	√	0000H
F0283H								
F0284H	Multiplication data register A (L) (Signed)	MUL32SL		R/W	–	–	√	0000H
F0285H								
F0286H	Multiplication data register A (H) (Signed)	MUL32SH		R/W	–	–	√	0000H
F0287H								

Table 3-6. Extended SFR (2nd SFR) List (7/11)

Address	Special Function Register (SFR) Name	Symbol	R/W	Manipulable Bit Range			After Reset
				1-bit	8-bit	16-bit	
F0288H	Multiply-accumulation data register A (L) (Unsigned)	MAC32UL	R/W	—	—	√	0000H
F0289H							
F028AH	Multiply-accumulation data register A (H) (Unsigned)	MAC32UH	R/W	—	—	√	0000H
F028BH							
F028CH	Multiply-accumulation data register A (L) (Signed)	MAC32SL	R/W	—	—	√	0000H
F028DH							
F028EH	Multiply-accumulation data register A (H) (Signed)	MAC32SH	R/W	—	—	√	0000H
F028FH							
F0290H	Multiplication result register 0	MULR0	R/W	—	—	√	0000H
F0291H							
F0292H	Multiplication result register 1	MULR1	R/W	—	—	√	0000H
F0293H							
F0294H	Multiplication result register 2	MULR2	R/W	—	—	√	0000H
F0295H							
F0296H	Multiplication result register 3	MULR3	R/W	—	—	√	0000H
F0297H							
<R> F029AH	Multiplication control register	MULC	R/W	√	√	—	00H
F02D0H	Oscillation stop detection register	OSDC	R/W	—	—	√	0FFFH
<R> F02D1H							
F02D8H	High-speed on-chip oscillator clock frequency correction control register	HOCOFC	R/W	—	√	—	00H
F02E0H	DTC base address register	DTCBAR	R/W	—	√	—	00H
<R> F02E5H	PLL control register ^{Note 1}	DSCCTL	R/W	√	√	—	00H
<R> F02E6H	Main clock control register ^{Note 1}	MCKC	R/W	√	√	—	00H
<R> F02E8H	DTC Activation Enable Register 0	DTCEN0	R/W	√	√	—	00H
<R> F02E9H	DTC Activation Enable Register 1	DTCEN1	R/W	√	√	—	00H
<R> F02EAH	DTC Activation Enable Register 2	DTCEN2	R/W	√	√	—	00H
<R> F02EBH	DTC Activation Enable Register 3	DTCEN3	R/W	√	√	—	00H
<R> F02ECH	DTC Activation Enable Register 4	DTCEN4	R/W	√	√	—	00H
F02F0H	Flash memory CRC control register	CRC0CTL	R/W	√	√	—	00H
F02F2H	Flash memory CRC operation result register	PGCRCL	R/W	—	—	√	0000H
<R> F02F3H							
F02FAH	CRC data register	CRCD	R/W	—	—	√	0000H
<R> F02FBH							
F0300H	LCD port function register 0	PFSEG0	R/W	√	√	—	F0H
F0301H	LCD port function register 1	PFSEG1	R/W	√	√	—	FFH
F0302H	LCD port function register 2	PFSEG2	R/W	√	√	—	FFH
<R> F0303H	LCD port function register 3	PFSEG3	R/W	√	√	—	FFH/0FH ^{Note 2}
<R> F0304H	LCD port function register 4	PFSEG4	R/W	√	√	—	FFH/3FH ^{Note 3}
F0305H	LCD port function register 5	PFSEG5	R/W	√	√	—	03H
F0308H	LCD Input switch control register	ISCLCD	R/W	√	√	—	00H

<R> **Notes** 1. This register is incorporated in R5F10NPJ, R5F10NMJ, and R5F10NPG, but is not incorporated in R5F10NMG, R5F10NLG, R5F10NME, and R5F10NLE.

<R> 2. R5F10NPJ, R5F10NMJ, R5F10NPG: FFH
R5F10NMG, R5F10NLG, R5F10NME, R5F10NLE: 0FH

<R> 3. R5F10NPJ, R5F10NMJ, R5F10NPG: FFH
R5F10NMG, R5F10NLG, R5F10NME, R5F10NLE: 3FH

Table 3-6. Extended SFR (2nd SFR) List (8/11)

	Address	Special Function Register (SFR) Name	Symbol	R/W	Manipulable Bit Range			After Reset
					1-bit	8-bit	16-bit	
<R>	F0312H	Frequency measurement count register L	FMCRL	R	–	–	√	0000H
	F0313H							
<R>	F0314H	Frequency measurement count register H	FMCRH	R	–	–	√	0000H
	F0315H							
	F0316H	Frequency measurement control register	FMCTL	R/W	√	√	–	00H
	F0330H	Backup power switch control register 0	BUPCTL0	R/W	√	√	–	00H
	F0331H	Backup power switch control register 1	BUPCTL1	R/W	√	√	–	00H
	F0332H	V _{DD} pin voltage detection control register	LVDVDD	R/W	√	√	–	00H
	F0333H	VBAT pin voltage detection control register	LVDVBAT	R/W	√	√	–	00H
	F0334H	VRTC pin voltage detection control register	LVDVRTC	R/W	√	√	–	00H
	F0335H	EXLVD pin voltage detection control register	LVDEXLVD	R/W	√	√	–	00H
	F0350H	8-bit interval timer compare register 00	TRTC MP00	R/W	–	√	√	FFH
	F0351H	8-bit interval timer compare register 01	TRTC MP01		R/W	–		√
	F0352H	8-bit interval timer control register 0	TRTCR0	R/W	√	√	–	00H
	F0353H	8-bit interval timer frequency division register 0	TRTMD0	R/W	–	√	–	00H
	F0358H	8-bit interval timer compare register 10	TRTC MP10	R/W	–	√	√	FFH
	F0359H	8-bit interval timer compare register 11	TRTC MP11		R/W	–		√
	F035AH	8-bit interval timer control register 1	TRTCR1	R/W	√	√	–	00H
	F035BH	8-bit interval timer frequency division register 1	TRTMD1	R/W	–	√	–	00H
<R>	F0380H	RTC power-on-reset status register	RTCPORSR	R/W	–	√	–	00H
	F0382H	Noise filter enable register for RTCIC _n pin (n = 0-2)	RTCICNFEN	R/W	–	√	–	00H
<R>	F0384H	Sub clock operation mode control register	SCMC	R/W	–	√	–	00H
	F0386H	Sub clock operation status control register	SCSC	R/W	√	√	–	40H
	F03A0H	IrDA control register	IRCR	R/W	√	√	–	00H
	F03B0H	Temperature sensor control register	TMPCTL	R/W	√	√	–	00H
<R>	F03C0H	ΔΣ A/D converter mode register	DSADMR	R/W	–	–	√	0000H
	F03C1H							
	F03C2H	ΔΣ A/D converter gain control register 0	DSADGCR0	R/W	–	√	–	00H
	F03C3H	ΔΣ A/D converter gain control register 1	DSADGCR1	R/W	–	√	–	00H
	F03C5H	ΔΣ A/D converter HPF control register	DSADHPFCR	R/W	–	√	–	00H
	F03C8H	ΔΣ A/D converter interrupt control register	DSADICR	R/W	–	√	–	00H
	F03C9H	ΔΣ A/D converter interrupt clear register	DSADICLR	W	–	√	–	00H
	F03CAH	ΔΣ A/D converter interrupt status register	DSADISR	R	–	√	–	22H
<R>	F03D0H	ΔΣ A/D converter phase control register 0	DSADPHCR0	R/W	–	–	√	0000H
	F03D1H							
<R>	F03D2H	ΔΣ A/D converter phase control register 1	DSADPHCR1	R/W	–	–	√	0000H
	F03D3H							
<R>	F03D4H	ΔΣ A/D converter phase control register 2	DSADPHCR2	R/W	–	–	√	0000H
	F03D5H							
<R>	F03D6H	ΔΣ A/D converter phase control register 3 ^{Note}	DSADPHCR3	R/W	–	–	√	0000H
<R>	F03D7H							

<R> **Note** This register is incorporated with 100-or 64-pin products, but is not incorporated with 80-pin products.

Table 3-6. Extended SFR (2nd SFR) List (9/11)

	Address	Special Function Register (SFR) Name	Symbol		R/W	Manipulable Bit Range			After Reset
						1-bit	8-bit	16-bit	
<R>	F03E0H	$\Delta\Sigma$ A/D converter conversion result register 0L	DSADC R0L	DSAD CR0	R	–	√	√	00H
<R>	F03E1H	$\Delta\Sigma$ A/D converter conversion result register 0M	DSADC R0M		R	–	√		00H
<R>	F03E2H	$\Delta\Sigma$ A/D converter conversion result register 0H	DSADCR0H		R	–	√	–	00H
<R>	F03E4H	$\Delta\Sigma$ A/D converter conversion result register 1L	DSADC R1L	DSA DCR 1	R	–	√	√	00H
<R>	F03E5H	$\Delta\Sigma$ A/D converter conversion result register 1M	DSADC R1M		R	–	√		00H
<R>	F03E6H	$\Delta\Sigma$ A/D converter conversion result register 1H	DSADCR1H		R	–	√	–	00H
<R>	F03E8H	$\Delta\Sigma$ A/D converter conversion result register 2L	DSADC R2L	DSAD CR2	R	–	√	√	00H
<R>	F03E9H	$\Delta\Sigma$ A/D converter conversion result register 2M	DSADC R2M		R	–	√		00H
<R>	F03EAH	$\Delta\Sigma$ A/D converter conversion result register 2H	DSADCR2H		R	–	√	–	00H
<R>	F03ECH	$\Delta\Sigma$ A/D converter conversion result register 3L ^{Note}	DSADC R3L	DSAD CR3	R	–	√	√	00H
<R>	F03EDH	$\Delta\Sigma$ A/D converter conversion result register 3M ^{Note}	DSADC R3M		R	–	√		00H
<R>	F03EEH	$\Delta\Sigma$ A/D converter conversion result register 3H ^{Note}	DSADCR3H		R	–	√	–	00H
	F0400H	LCD display data memory 0	SEG0		R/W	–	√	–	00H
	F0401H	LCD display data memory 1	SEG1		R/W	–	√	–	00H
	F0402H	LCD display data memory 2	SEG2		R/W	–	√	–	00H
	F0403H	LCD display data memory 3	SEG3		R/W	–	√	–	00H
	F0404H	LCD display data memory 4	SEG4		R/W	–	√	–	00H
	F0405H	LCD display data memory 5	SEG5		R/W	–	√	–	00H
	F0406H	LCD display data memory 6	SEG6		R/W	–	√	–	00H
	F0407H	LCD display data memory 7	SEG7		R/W	–	√	–	00H
	F0408H	LCD display data memory 8	SEG8		R/W	–	√	–	00H
	F0409H	LCD display data memory 9	SEG9		R/W	–	√	–	00H
	F040AH	LCD display data memory 10	SEG10		R/W	–	√	–	00H
	F040BH	LCD display data memory 11	SEG11		R/W	–	√	–	00H
	F040CH	LCD display data memory 12	SEG12		R/W	–	√	–	00H
	F040DH	LCD display data memory 13	SEG13		R/W	–	√	–	00H
	F040EH	LCD display data memory 14	SEG14		R/W	–	√	–	00H
	F040FH	LCD display data memory 15	SEG15		R/W	–	√	–	00H
	F0410H	LCD display data memory 16	SEG16		R/W	–	√	–	00H
	F0411H	LCD display data memory 17	SEG17		R/W	–	√	–	00H
	F0412H	LCD display data memory 18	SEG18		R/W	–	√	–	00H
	F0413H	LCD display data memory 19	SEG19		R/W	–	√	–	00H
	F0414H	LCD display data memory 20	SEG20		R/W	–	√	–	00H
	F0415H	LCD display data memory 21	SEG21		R/W	–	√	–	00H
	F0416H	LCD display data memory 22	SEG22		R/W	–	√	–	00H
	F0417H	LCD display data memory 23	SEG23		R/W	–	√	–	00H
	F0418H	LCD display data memory 24	SEG24		R/W	–	√	–	00H

<R> **Note** This register is incorporated with 100-or 64-pin products, but is not incorporated with 100- or 80-pin products.

Table 3-6. Extended SFR (2nd SFR) List (10/11)

Address	Special Function Register (SFR) Name	Symbol	R/W	Manipulable Bit Range			After Reset
				1-bit	8-bit	16-bit	
F0419H	LCD display data memory 25	SEG25	R/W	–	√	–	00H
F041AH	LCD display data memory 26	SEG26	R/W	–	√	–	00H
F041BH	LCD display data memory 27	SEG27	R/W	–	√	–	00H
F041CH	LCD display data memory 28	SEG28	R/W	–	√	–	00H
F041DH	LCD display data memory 29	SEG29	R/W	–	√	–	00H
F041EH	LCD display data memory 30	SEG30	R/W	–	√	–	00H
F041FH	LCD display data memory 31	SEG31	R/W	–	√	–	00H
F0420H	LCD display data memory 32	SEG32	R/W	–	√	–	00H
F0421H	LCD display data memory 33	SEG33	R/W	–	√	–	00H
F0422H	LCD display data memory 34	SEG34	R/W	–	√	–	00H
F0423H	LCD display data memory 35	SEG35	R/W	–	√	–	00H
F0424H	LCD display data memory 36	SEG36	R/W	–	√	–	00H
F0425H	LCD display data memory 37	SEG37	R/W	–	√	–	00H
F0426H	LCD display data memory 38	SEG38	R/W	–	√	–	00H
F0427H	LCD display data memory 39	SEG39	R/W	–	√	–	00H
F0428H	LCD display data memory 40	SEG40	R/W	–	√	–	00H
F0429H	LCD display data memory 41	SEG41	R/W	–	√	–	00H
F0540H	8-bit interval timer count register 00	TRT00	R	–	√	√	00H
F0541H	8-bit interval timer count register 01	TRT01					R
F0548H	8-bit interval timer count register 10	TRT10	R	–	√	√	00H
F0549H	8-bit interval timer count register 11	TRT11					R
F0581H	64Hz counter	R64CNT	R	–	√	–	Undefined
F0583H	Second counter	RSECCNT	R/W	–	√	–	Undefined
<R> F0583H	Binary counter 0	BCNT0	R/W	–	√	–	Undefined
F0585H	Minute counter	RMINCNT	R/W	–	√	–	Undefined
<R> F0585H	Binary counter 1	BCNT1	R/W	–	√	–	Undefined
F0587H	Hour counter	RHRCNT	R/W	–	√	–	Undefined
<R> F0587H	Binary counter 2	BCNT2	R/W	–	√	–	Undefined
F0589H	Week counter	RWKCNT	R/W	–	√	–	Undefined
<R> F0589H	Binary counter 3	BCNT3	R/W	–	√	–	Undefined
F058BH	Day counter	RDAYCNT	R/W	–	√	–	Undefined
F058DH	Month counter	RMONCNT	R/W	–	√	–	Undefined
F058EH	Year counter	RYRCNT	R/W	–	–	√	Undefined
<R> F058FH							
F0591H	Second alarm register	RSECAR	R/W	–	√	–	Undefined
<R> F0591H	Binary counter 0 alarm register	BCNT0AR	R/W	–	√	–	Undefined
F0593H	Minute alarm register	RMINAR	R/W	–	√	–	Undefined
<R> F0593H	Binary counter 1 alarm register	BCNT1AR	R/W	–	√	–	Undefined
F0595H	Hour alarm register	RHRAR	R/W	–	√	–	Undefined
<R> F0595H	Binary counter 2 alarm register	BCNT2AR	R/W	–	√	–	Undefined
F0597H	Week alarm register	RWKAR	R/W	–	√	–	Undefined
<R> F0597H	Binary counter 3 alarm register	BCNT3AR	R/W	–	√	–	Undefined
F0599H	Day alarm register	RDAYAR	R/W	–	√	–	Undefined
<R> F0599H	Binary counter 0 alarm enable register	BCNT0AER	R/W	–	√	–	Undefined
F059BH	Month alarm register	RMONAR	R/W	–	√	–	Undefined
<R> F059BH	Binary counter 1 alarm enable register	BCNT1AER	R/W	–	√	–	Undefined

Table 3-6. Extended SFR (2nd SFR) List (11/11)

	Address	Special Function Register (SFR) Name	Symbol	R/W	Manipulable Bit Range			After Reset
					1-bit	8-bit	16-bit	
<R>	F059CH	Year alarm register	RYRAR	R/W	–	–	√	Undefined
	F059DH							
<R>	F059CH	Binary counter 2 alarm enable register	BCNT2AER	R/W	–	–	√	Undefined
	F059DH							
<R>	F059FH	Year alarm enable register	RYRAREN	R/W	–	√	–	Undefined
<R>	F059FH	Binary counter 3 alarm enable register	BCNT3AER	R/W	–	√	–	Undefined
<R>	F05A1H	RTC status register	RSR	R/W	–	√	–	Undefined
	F05A3H	RTC control register 1	RCR1	R/W	–	√	–	Undefined
	F05A5H	RTC control register 2	RCR2	R/W	–	√	–	Undefined
	F05A7H	RTC control register 3	RCR3	R/W	–	√	–	Undefined
	F05A9H	RTC control register 4	RCR4	R/W	–	√	–	Undefined
	F05AFH	Time error correction register	RADJ	R/W	–	√	–	Undefined
	F05B3H	RTC control register 5	RCR5	R/W	–	√	–	Undefined
	F05B9H	RCR5 guard register	RCR5GD	W	–	√	–	00H
	F05C1H	Time capture control register 0	RTCCR0	R/W	–	√	–	Undefined
	F05C3H	Time capture control register 1	RTCCR1	R/W	–	√	–	Undefined
	F05C5H	Time capture control register 2	RTCCR2	R/W	–	√	–	Undefined
	F05D3H	Second capture register 0	RSECCP0	R	–	√	–	Undefined
<R>	F05D3H	BCNT 0 capture register 0	BCNT0CP0	R	–	√	–	Undefined
	F05D5H	Minute capture register 0	RMINCP0	R	–	√	–	Undefined
<R>	F05D5H	BCNT 1 capture register 0	BCNT1CP0	R	–	√	–	Undefined
	F05D7H	Hour capture register 0	RHRCP0	R	–	√	–	Undefined
<R>	F05D7H	BCNT 2 capture register 0	BCNT2CP0	R	–	√	–	Undefined
	F05DBH	Day capture register 0	RDAYCP0	R	–	√	–	Undefined
<R>	F05DBH	BCNT 3 capture register 0	BCNT3CP0	R	–	√	–	Undefined
	F05DDH	Month capture register 0	RMONCP0	R	–	√	–	Undefined
	F05E3H	Second capture register 1	RSECCP1	R	–	√	–	Undefined
<R>	F05E3H	BCNT 0 capture register 1	BCNT0CP1	R	–	√	–	Undefined
	F05E5H	Minute capture register 1	RMINCP1	R	–	√	–	Undefined
<R>	F05E5H	BCNT 1 capture register 1	BCNT1CP1	R	–	√	–	Undefined
	F05E7H	Hour capture register 1	RHRCP1	R	–	√	–	Undefined
<R>	F05E7H	BCNT 2 capture register 1	BCNT2CP1	R	–	√	–	Undefined
	F05EBH	Day capture register 1	RDAYCP1	R	–	√	–	Undefined
<R>	F05EBH	BCNT 3 capture register 1	BCNT3CP1	R	–	√	–	Undefined
	F05EDH	Month capture register 1	RMONCP1	R	–	√	–	Undefined
	F05F3H	Second capture register 2	RSECCP2	R	–	√	–	Undefined
<R>	F05F3H	BCNT 0 capture register 2	BCNT0CP2	R	–	√	–	Undefined
	F05F5H	Minute capture register 2	RMINCP2	R	–	√	–	Undefined
<R>	F05F5H	BCNT 1 capture register 2	BCNT1CP2	R	–	√	–	Undefined
	F05F7H	Hour capture register 2	RHRCP2	R	–	√	–	Undefined
<R>	F05F7H	BCNT 2 capture register 2	BCNT2CP2	R	–	√	–	Undefined
	F05FBH	Day capture register 2	RDAYCP2	R	–	√	–	Undefined
<R>	F05FBH	BCNT 3 capture register 2	BCNT3CP2	R	–	√	–	Undefined
	F05FDH	Month capture register 2	RMONCP2	R	–	√	–	Undefined

Remark For SFRs in the SFR area, see Table 3-5 SFR List.

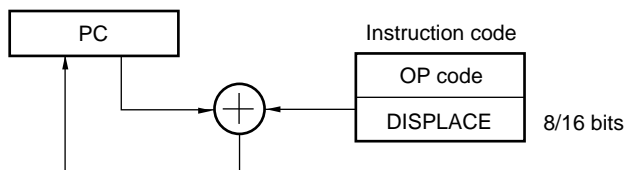
3.3 Instruction Address Addressing

3.3.1 Relative addressing

[Function]

Relative addressing stores in the program counter (PC) the result of adding a displacement value included in the instruction word (signed complement data: -128 to +127 or -32768 to +32767) to the program counter (PC)'s value (the start address of the next instruction), and specifies the program address to be used as the branch destination. Relative addressing is applied only to branch instructions.

Figure 3-12. Outline of Relative Addressing



3.3.2 Immediate addressing

[Function]

Immediate addressing stores immediate data of the instruction word in the program counter, and specifies the program address to be used as the branch destination. For immediate addressing, CALL !!addr20 or BR !!addr20 is used to specify 20-bit addresses and CALL !addr16 or BR !addr16 is used to specify 16-bit addresses. 0000 is set to the higher 4 bits when specifying 16-bit addresses.

Figure 3-13. Example of CALL !!addr20/BR !!addr20

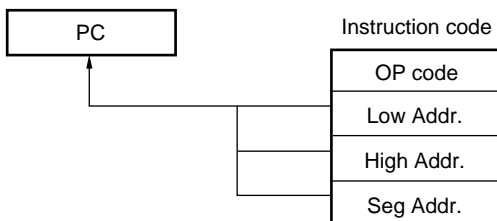
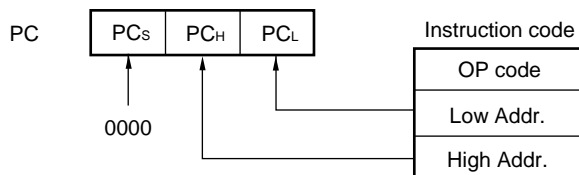


Figure 3-14. Example of CALL !addr16/BR !addr16



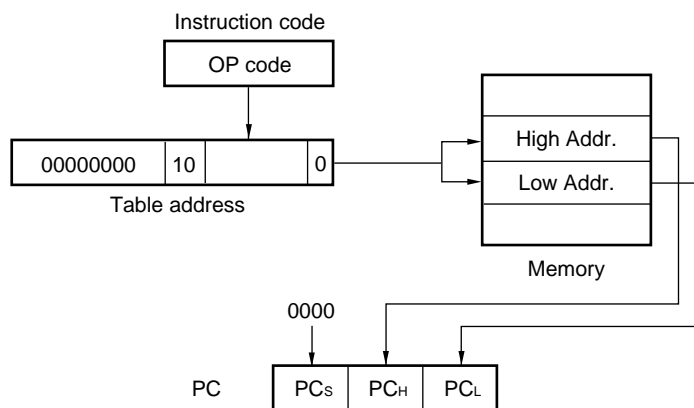
3.3.3 Table indirect addressing

[Function]

Table indirect addressing specifies a table address in the CALLT table area (0080H to 00BFH) with the 5-bit immediate data in the instruction word, stores the contents at that table address and the next address in the program counter (PC) as 16-bit data, and specifies the program address. Table indirect addressing is applied only for CALLT instructions.

In the RL78 microcontrollers, branching is enabled only to the 64 KB space from 00000H to 0FFFFH.

Figure 3-15. Outline of Table Indirect Addressing

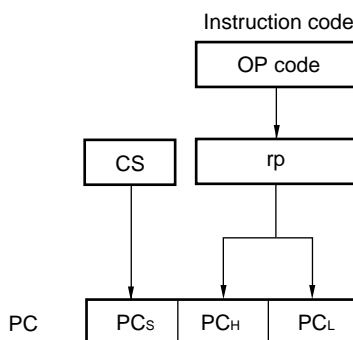


3.3.4 Register direct addressing

[Function]

Register direct addressing stores in the program counter (PC) the contents of a general-purpose register pair (AX/BC/DE/HL) and CS register of the current register bank specified with the instruction word as 20-bit data, and specifies the program address. Register direct addressing can be applied only to the CALL AX, BC, DE, HL, and BR AX instructions.

Figure 3-16. Outline of Register Direct Addressing



3.4 Addressing for Processing Data Addresses

3.4.1 Implied addressing

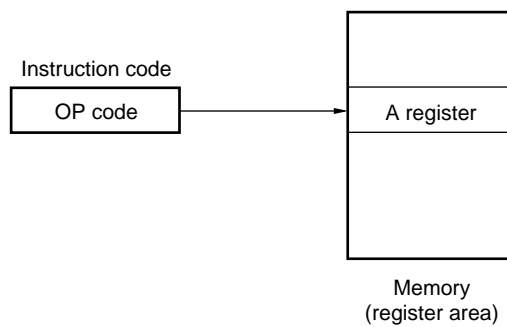
[Function]

Instructions for accessing registers (such as accumulators) that have special functions are directly specified with the instruction word, without using any register specification field in the instruction word.

[Operand format]

Implied addressing can be applied only to MULU X.

Figure 3-17. Outline of Implied Addressing



3.4.2 Register addressing

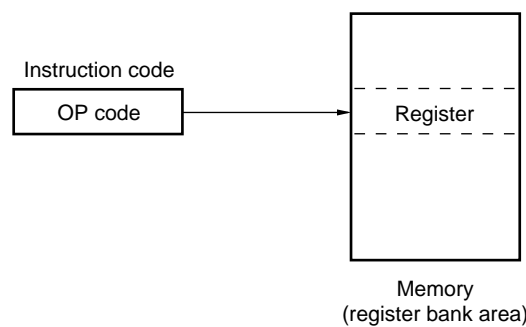
[Function]

Register addressing accesses a general-purpose register as an operand. The instruction word of 3-bit long is used to select an 8-bit register and the instruction word of 2-bit long is used to select a 16-bit register.

[Operand format]

Identifier	Description
r	X, A, C, B, E, D, L, H
rp	AX, BC, DE, HL

Figure 3-18. Outline of Register Addressing



3.4.3 Direct addressing

[Function]

Direct addressing uses immediate data in the instruction word as an operand address to directly specify the target address.

[Operand format]

Identifier	Description
!addr16	Label or 16-bit immediate data (only the space from F0000H to FFFFFH is specifiable)
ES:!addr16	Label or 16-bit immediate data (higher 4-bit addresses are specified by the ES register)

Figure 3-19. Example of !addr16

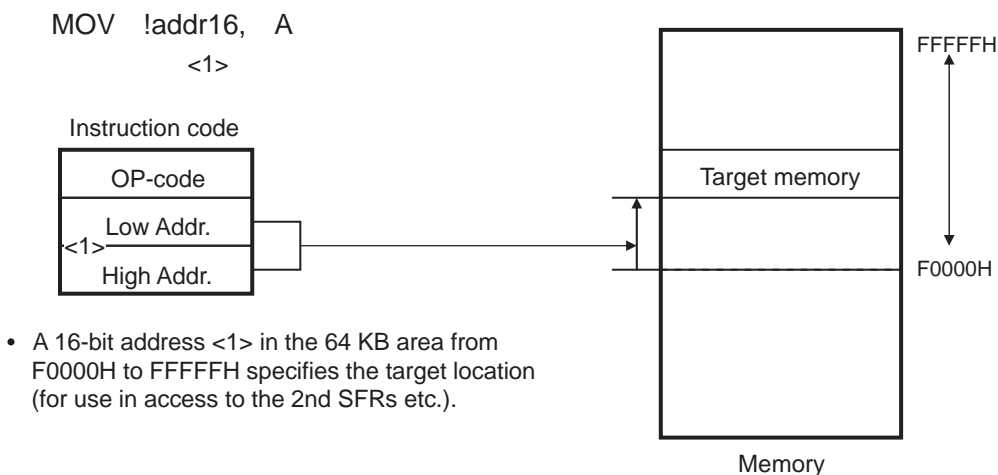
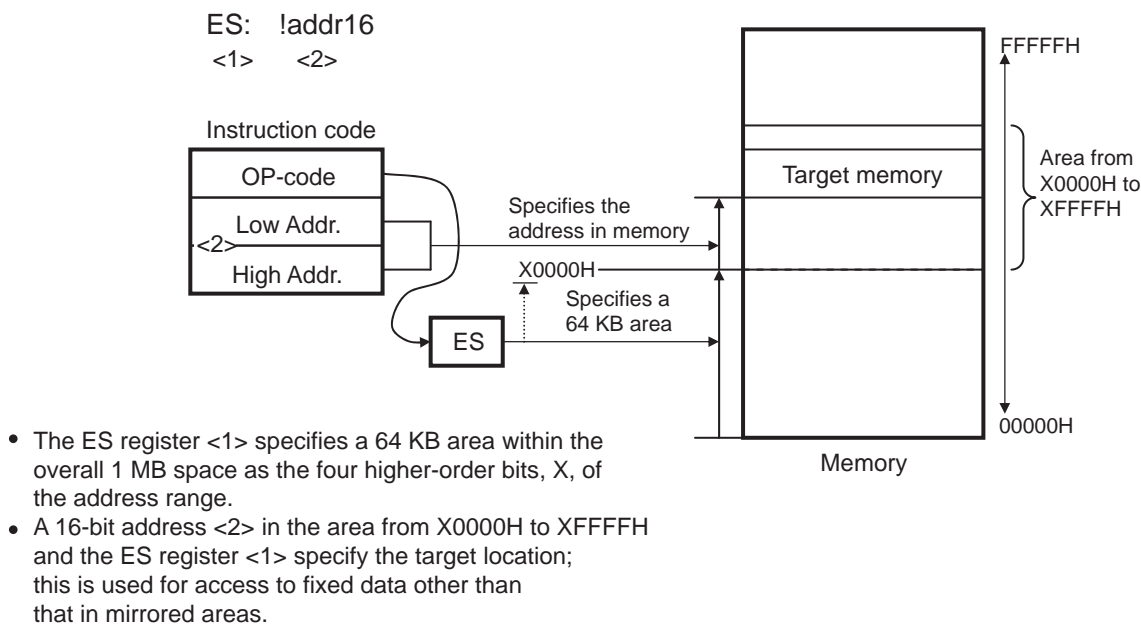


Figure 3-20. Example of ES:!addr16



3.4.4 Short direct addressing

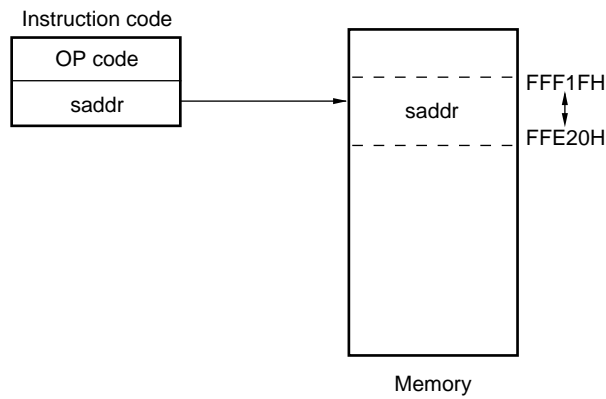
[Function]

Short direct addressing directly specifies the target addresses using 8-bit data in the instruction word. This type of addressing is applied only to the space from FFE20H to FFF1FH.

[Operand format]

Identifier	Description
SADDR	Label, FFE20H to FFF1FH immediate data, or 0FE20H to 0FF1FH immediate data (only the space from FFE20H to FFF1FH is specifiable)
SADDRP	Label, FFE20H to FFF1FH immediate data, or 0FE20H to 0FF1FH immediate data (even address only) (only the space from FFE20H to FFF1FH is specifiable)

Figure 3-21. Outline of Short Direct Addressing



Remark SADDR and SADDRP are used to describe the values of addresses FE20H to FF1FH with 16-bit immediate data (higher 4 bits of actual address are omitted), and the values of addresses FFE20H to FFF1FH with 20-bit immediate data.

Regardless of whether SADDR or SADDRP is used, addresses within the space from FFE20H to FFF1FH are specified for the memory.

3.4.5 SFR addressing

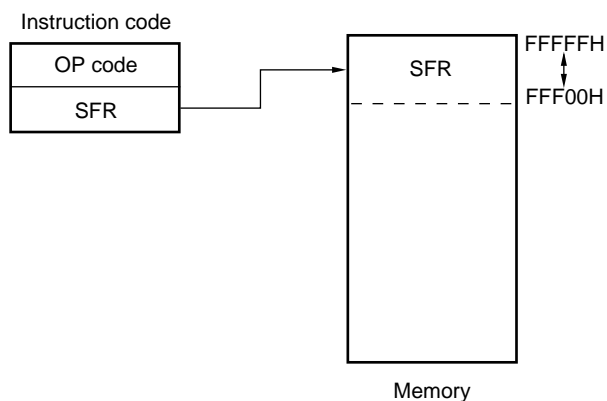
[Function]

SFR addressing directly specifies the target SFR addresses using 8-bit data in the instruction word. This type of addressing is applied only to the space from FFF00H to FFFFFH.

[Operand format]

Identifier	Description
SFR	SFR name
SFRP	16-bit-manipulatable SFR name (even address)

Figure 3-22. Outline of SFR Addressing



3.4.6 Register indirect addressing

[Function]

Register indirect addressing directly specifies the target addresses using the contents of the register pair specified with the instruction word as an operand address.

[Operand format]

Identifier	Description
-	[DE], [HL] (only the space from F0000H to FFFFFH is specifiable)
-	ES:[DE], ES:[HL] (higher 4-bit addresses are specified by the ES register)

Figure 3-23. Example of [DE], [HL]

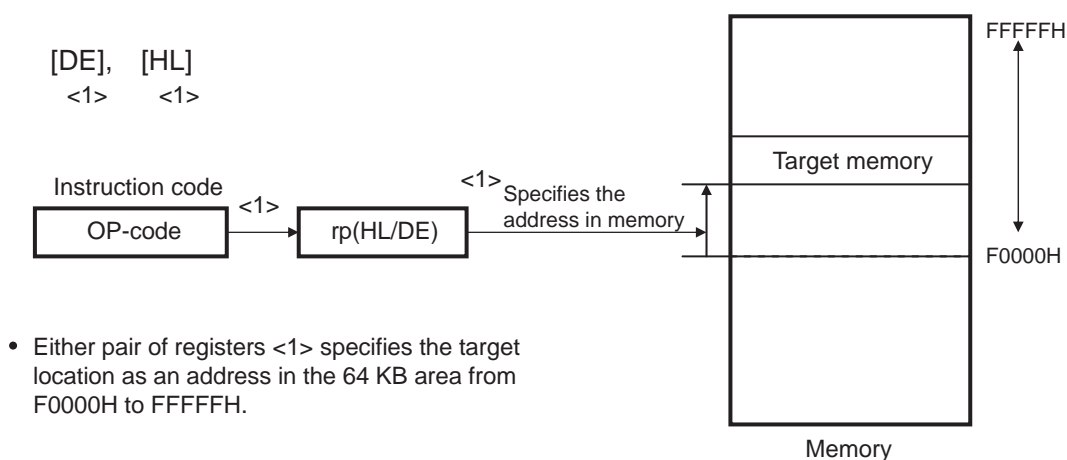
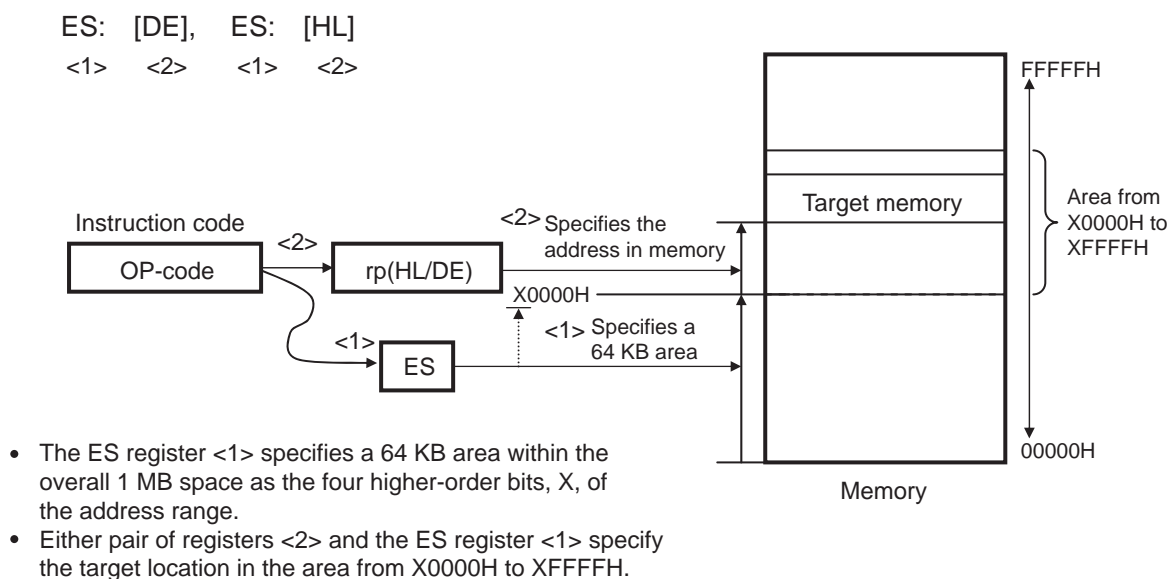


Figure 3-24. Example of ES:[DE], ES:[HL]



3.4.7 Based addressing

[Function]

Based addressing uses the contents of a register pair specified with the instruction word or 16-bit immediate data as a base address, and 8-bit immediate data or 16-bit immediate data as offset data. The sum of these values is used to specify the target address.

[Operand format]

Identifier	Description
–	[HL + byte], [DE + byte], [SP + byte] (only the space from F0000H to FFFFFH is specifiable)
–	word[B], word[C] (only the space from F0000H to FFFFFH is specifiable)
–	word[BC] (only the space from F0000H to FFFFFH is specifiable)
–	ES:[HL + byte], ES:[DE + byte] (higher 4-bit addresses are specified by the ES register)
–	ES:word[B], ES:word[C] (higher 4-bit addresses are specified by the ES register)
–	ES:word[BC] (higher 4-bit addresses are specified by the ES register)

Figure 3-25. Example of [SP+byte]

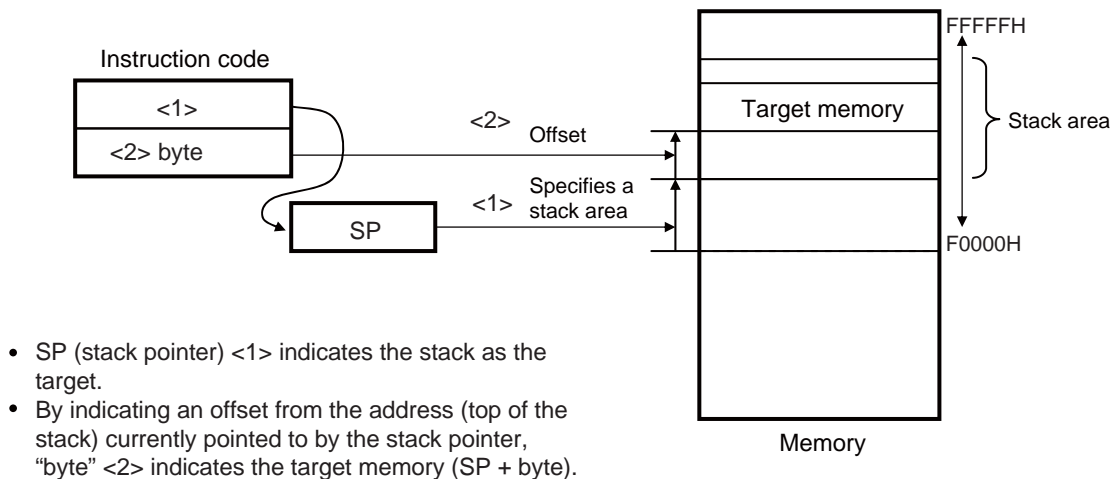
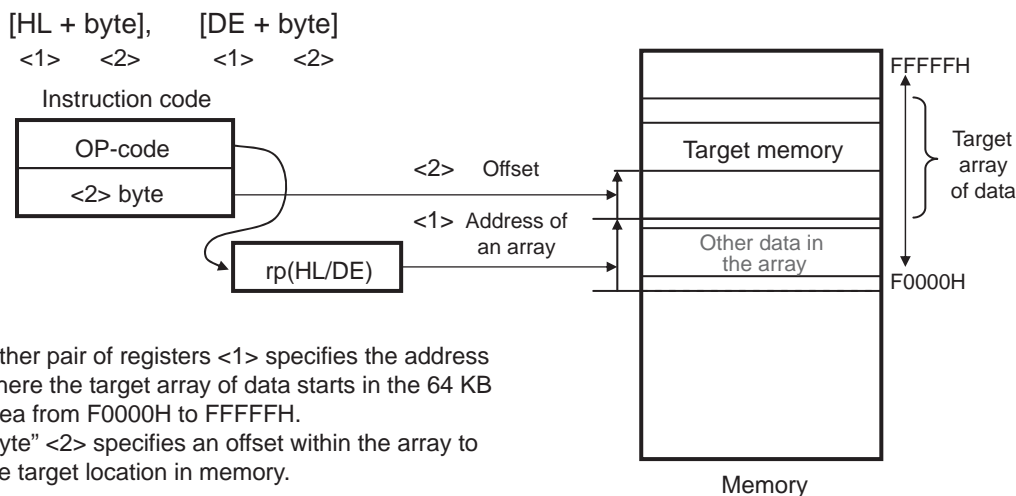
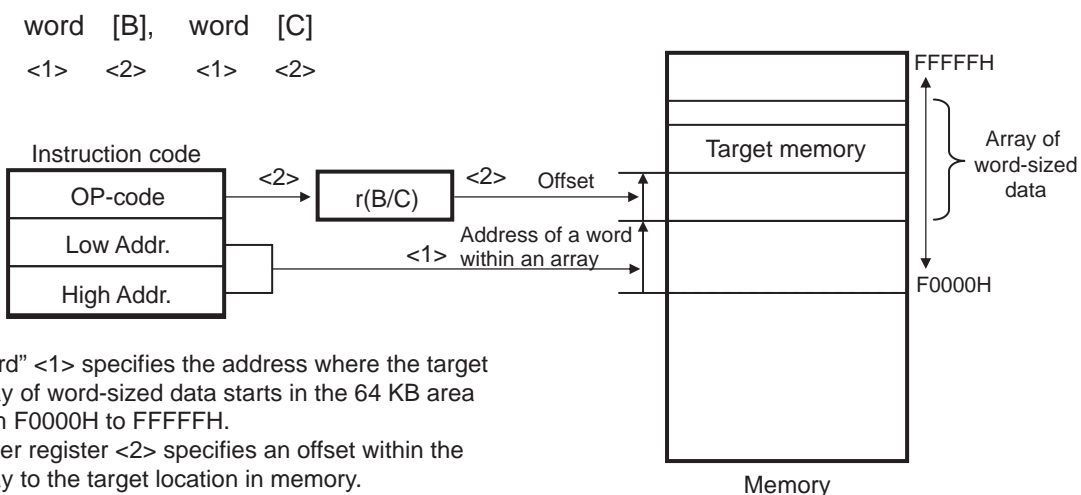


Figure 3-26. Example of [HL + byte], [DE + byte]



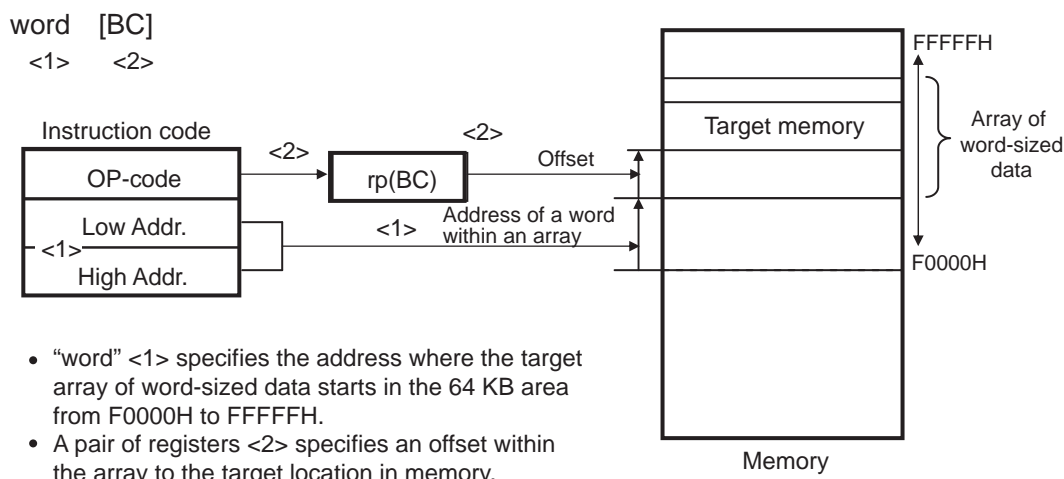
- Either pair of registers <1> specifies the address where the target array of data starts in the 64 KB area from F0000H to FFFFFH.
- “byte” <2> specifies an offset within the array to the target location in memory.

Figure 3-27. Example of word[B], word[C]



- “word” <1> specifies the address where the target array of word-sized data starts in the 64 KB area from F0000H to FFFFFH.
- Either register <2> specifies an offset within the array to the target location in memory.

Figure 3-28. Example of word[BC]



- “word” <1> specifies the address where the target array of word-sized data starts in the 64 KB area from F0000H to FFFFFH.
- A pair of registers <2> specifies an offset within the array to the target location in memory.

Figure 3-29. Example of ES:[HL + byte], ES:[DE + byte]

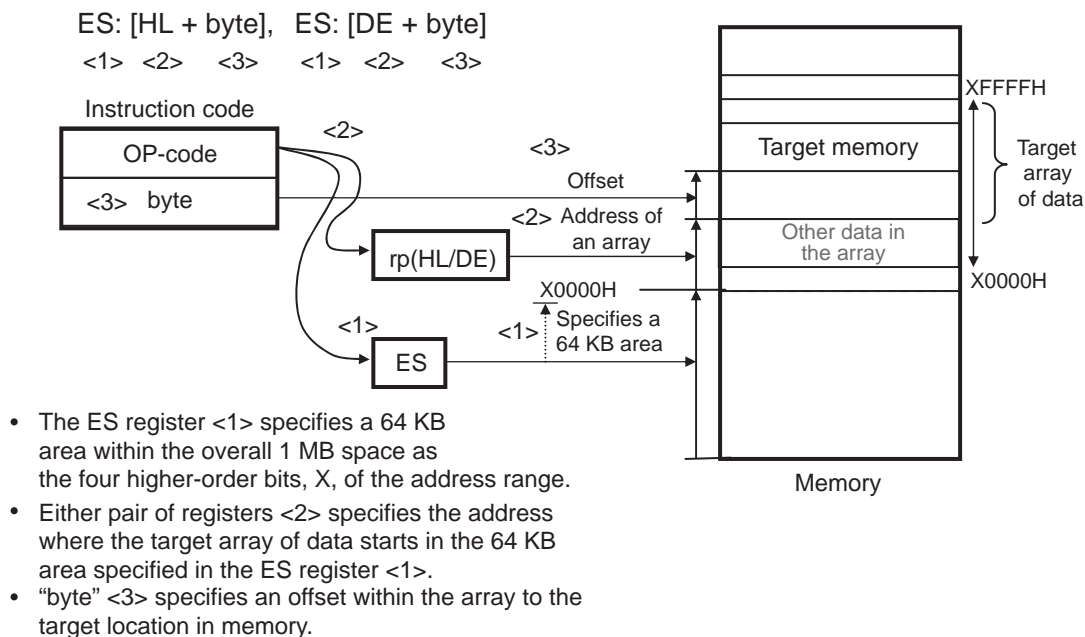


Figure 3-30. Example of ES:word[B], ES:word[C]

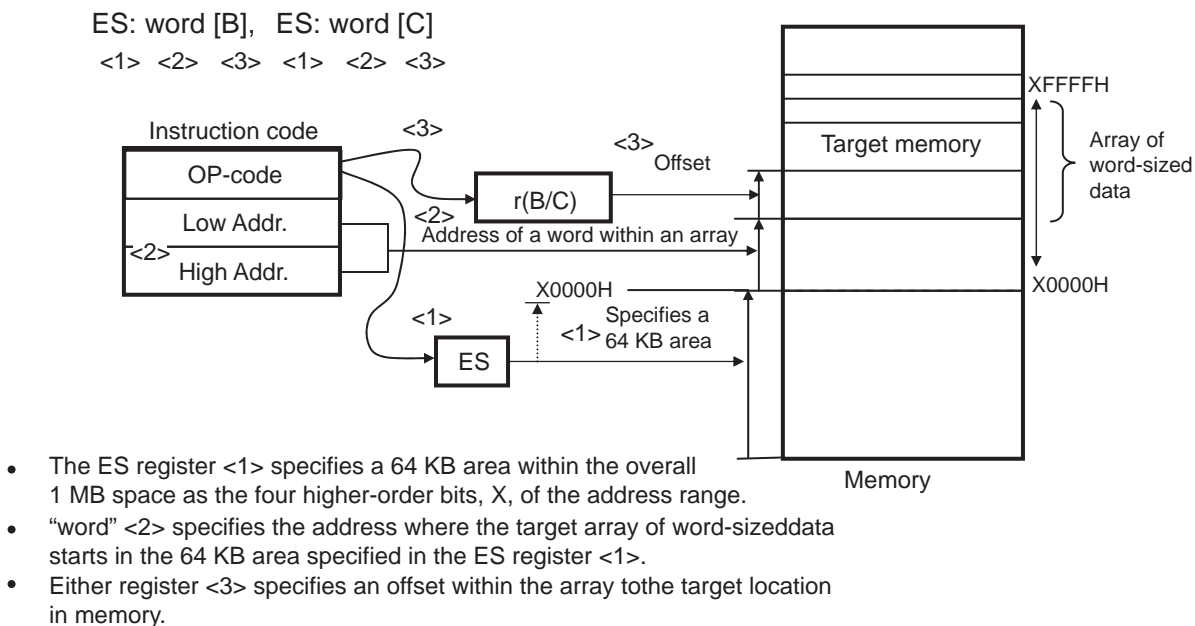
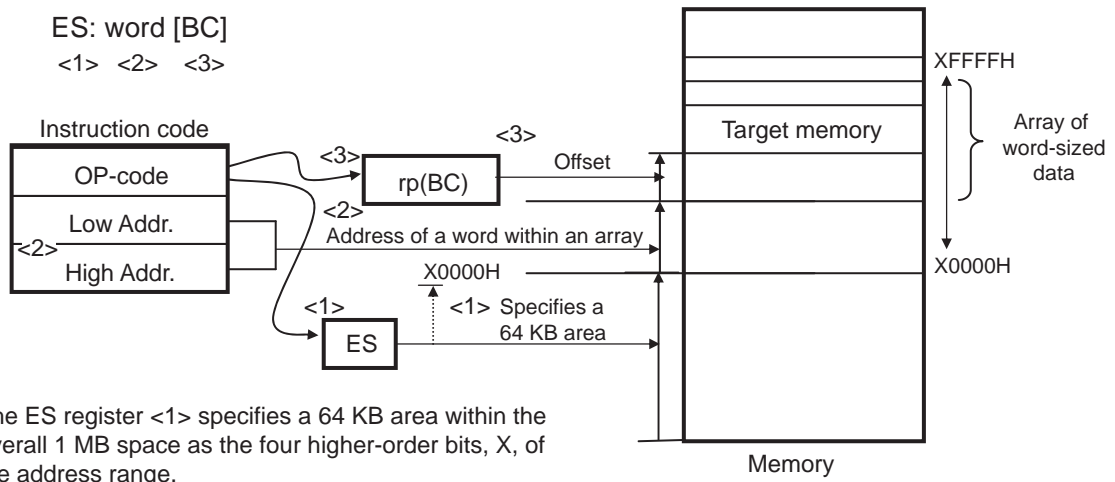


Figure 3-31. Example of ES:word[BC]



- The ES register <1> specifies a 64 KB area within the overall 1 MB space as the four higher-order bits, X, of the address range.
- “word” <2> specifies the address where the target array of word-sized data starts in the 64 KB area specified in the ES register <1>.
- A pair of registers <3> specifies an offset within the array to the target location in memory.

3.4.8 Based indexed addressing

[Function]

Based indexed addressing uses the contents of a register pair specified with the instruction word as the base address, and the content of the B register or C register similarly specified with the instruction word as offset address. The sum of these values is used to specify the target address.

[Operand format]

Identifier	Description
-	[HL+B], [HL+C] (only the space from F0000H to FFFFFH is specifiable)
-	ES:[HL+B], ES:[HL+C] (higher 4-bit addresses are specified by the ES register)

Figure 3-32. Example of [HL+B], [HL+C]

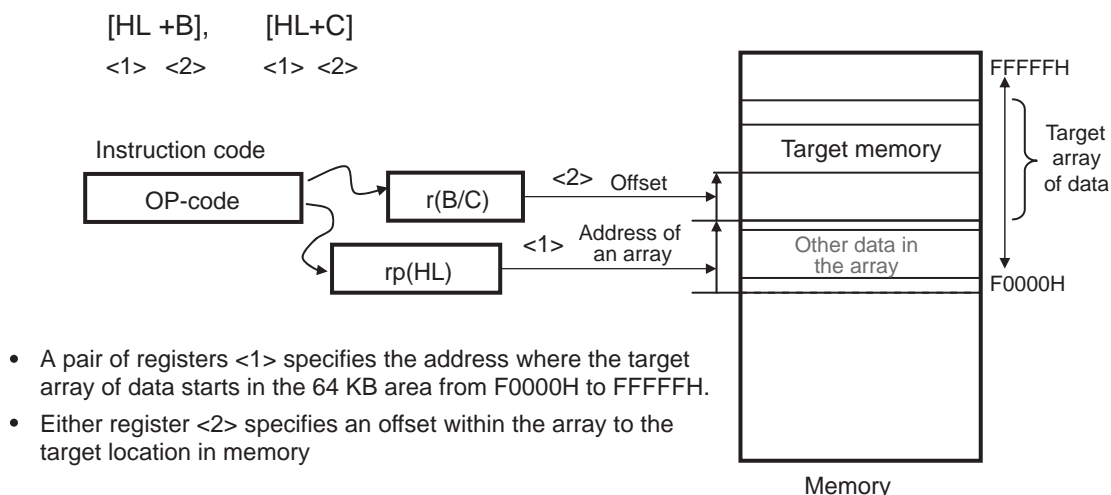
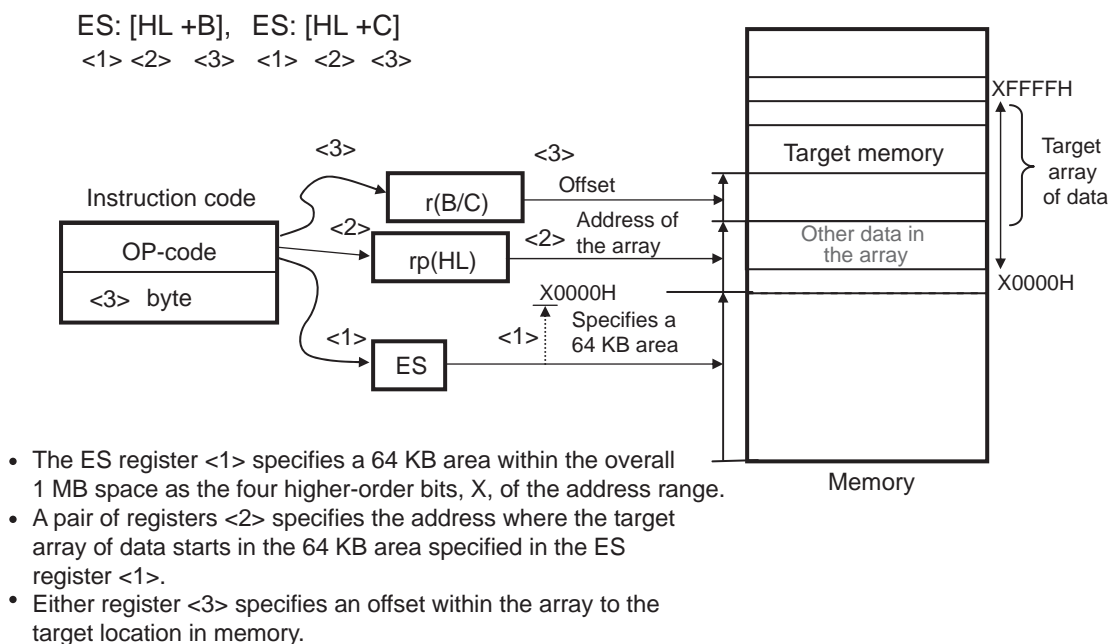


Figure 3-33. Example of ES:[HL+B], ES:[HL+C]



3.4.9 Stack addressing

[Function]

The stack area is indirectly addressed with the stack pointer (SP) values. This addressing is automatically employed when the PUSH, POP, subroutine call, and return instructions are executed or the register is saved/restored upon generation of an interrupt request.

Only the internal RAM area can be set as the stack area.

[Operand format]

Identifier	Description
-	PUSH PSW AX/BC/DE/HL POP PSW AX/BC/DE/HL CALL/CALLT RET BRK RETB (Interrupt request generated) RETI

Each stack operation saves or restores data as shown in Figures 3-33 to 3-38.

Figure 3-34. Example of PUSH rp

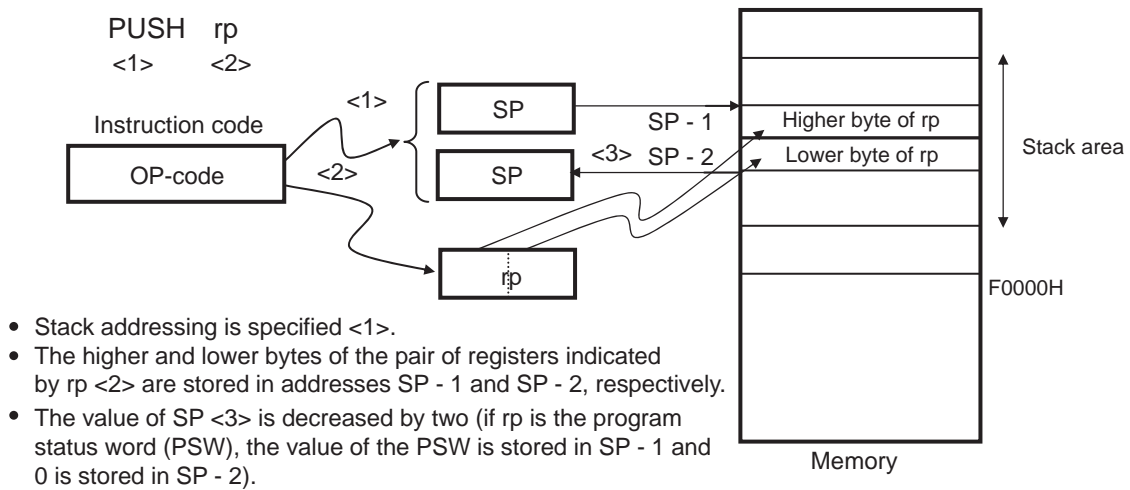
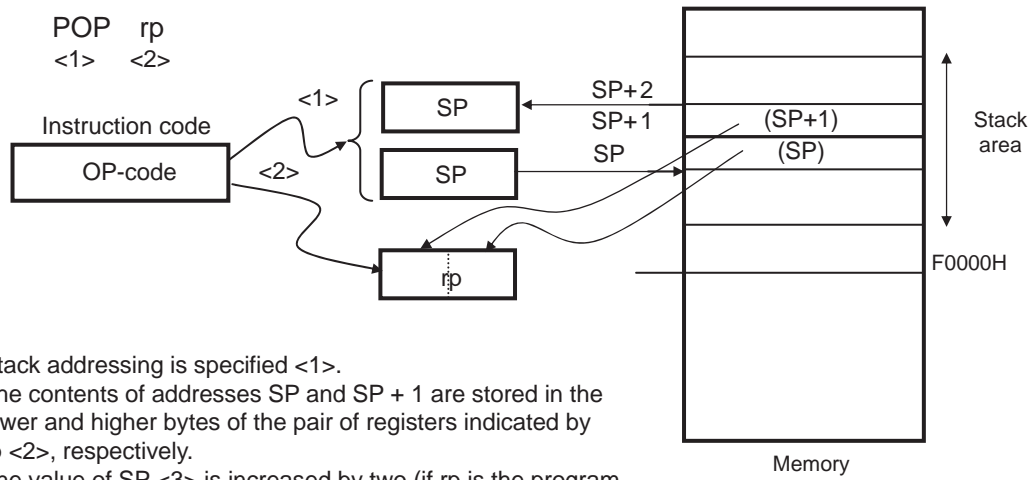
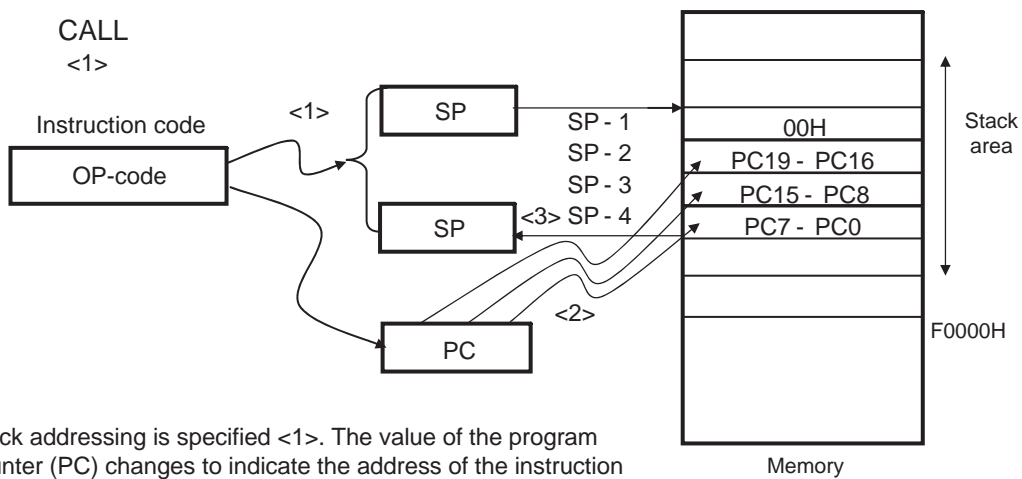


Figure 3-35. Example of POP



- Stack addressing is specified <1>.
- The contents of addresses SP and SP + 1 are stored in the lower and higher bytes of the pair of registers indicated by rp <2>, respectively.
- The value of SP <3> is increased by two (if rp is the program status word (PSW), the content of address SP + 1 is stored in the PSW).

Figure 3-36. Example of CALL, CALLT



- Stack addressing is specified <1>. The value of the program counter (PC) changes to indicate the address of the instruction following the CALL instruction.
- 00H, the values of PC bits 19 to 16, 15 to 8, and 7 to 0 are stored in addresses SP - 1, SP - 2, SP - 3, and SP - 4, respectively <2>.
- The value of the SP <3> is decreased by 4.

Figure 3-37. Example of RET

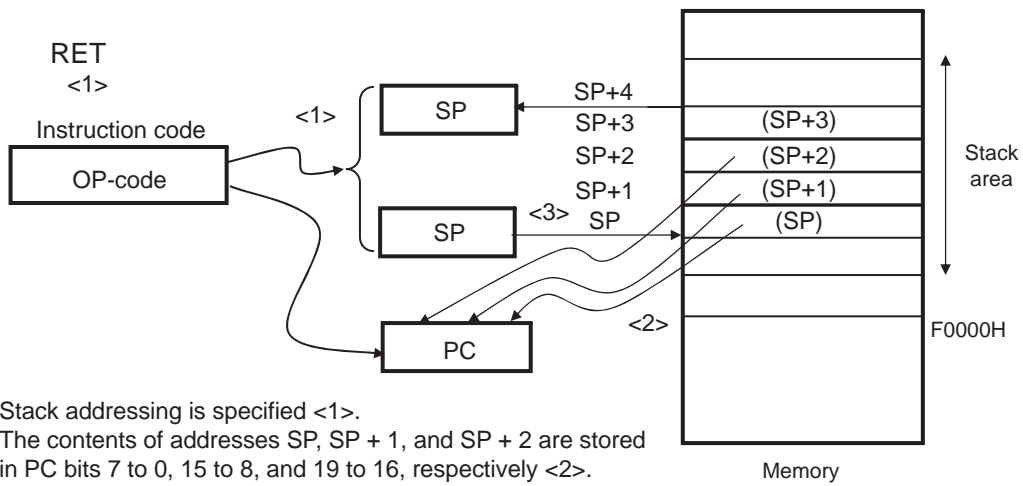
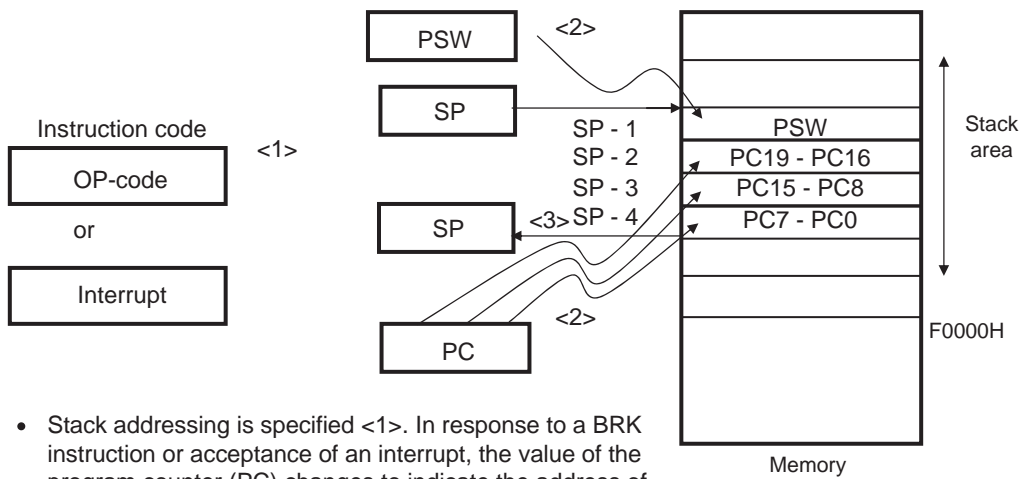
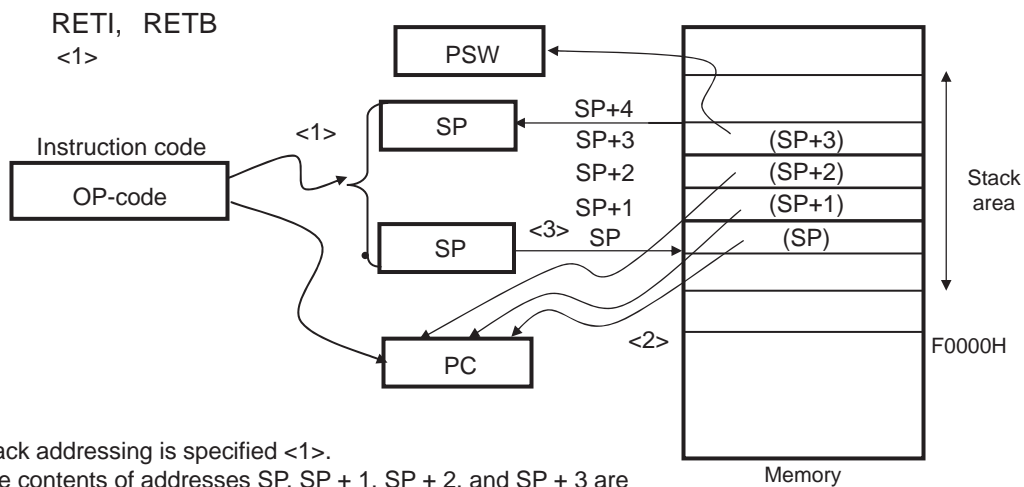


Figure 3-38. Example of Interrupt, BRK



- Stack addressing is specified <1>. In response to a BRK instruction or acceptance of an interrupt, the value of the program counter (PC) changes to indicate the address of the next instruction.
- The values of the PSW, PC bits 19 to 16, 15 to 8, and 7 to 0 are stored in addresses SP - 1, SP - 2, SP - 3, and SP - 4, respectively <2>.
- The value of the SP <3> is decreased by 4.

Figure 3-39. Example of RETI, RETB



- Stack addressing is specified <1>.
- The contents of addresses SP, SP + 1, SP + 2, and SP + 3 are stored in PC bits 7 to 0, 15 to 8, 19 to 16, and the PSW, respectively <2>.
- The value of SP <3> is increased by four.

CHAPTER 4 PORT FUNCTIONS

4.1 Port Functions

The RL78/I1C microcontrollers are provided with digital I/O ports, which enable variety of control operations.

In addition to the function as digital I/O ports, these ports have several alternate functions. For details of the alternate functions, see **CHAPTER 2 PIN FUNCTIONS**.

4.2 Port Configuration

Ports include the following hardware.

Table 4-1. Port Configuration

Item	Configuration
Control registers	Port mode registers (PM0 to PM8, PM12, PM15) Port registers (P0 to P8, P12, P13, P15) Pull-up resistor option registers (PU0, PU1, PU3 to PU5, PU7, PU8, PU12, PU15) Port input mode registers (PIM0, PIM1, PIM5, PIM8) Port output mode registers (POM0, POM1, POM5, POM8) A/D port configuration register (ADPC) Peripheral I/O redirection register (PIOR0) Global digital input disable register (GDIDIS) LCD port function registers (PFSEG0 to PFSEG5) LCD input switch control register (ISCLCD)
Port	<ul style="list-style-type: none"> • 64-pin products Total: 35 (CMOS I/O: 27 (N-ch open drain I/O [V_{DD} tolerance]: 6), CMOS input: 5, N-ch open drain I/O [6 V tolerance]: 3) • 80-pin products Total: 52 (CMOS I/O: 44 (N-ch open drain I/O [EV_{DD} tolerance]: 14), CMOS input: 5, N-ch open drain I/O [6 V tolerance]: 3) • 100-pin products Total: 68 (CMOS I/O: 60 (N-ch open drain I/O [EV_{DD} tolerance]: 17), CMOS input: 5, N-ch open drain I/O [6 V tolerance]: 3)
Pull-up resistor	<ul style="list-style-type: none"> • 64-pin products Total: 24 • 80-pin products Total: 41 • 100-pin products Total: 55

4.2.1 Port 0

Port 0 is an I/O port with an output latch. Port 0 can be set to the input mode or output mode in 1-bit units using port mode register 0 (PM0). When the P02 to P07 pins are used as an input port, use of an on-chip pull-up resistor can be specified in 1-bit units by pull-up resistor option register 0 (PU0).

Input to the P02, P03, P05 and P06 pins can be specified through a normal input buffer or a TTL input buffer in 1-bit units using port input mode register 0 (PIM0).

Output from the P02 to P07 pins can be specified as N-ch open-drain output (V_{DD} tolerance^{Note 1} / EV_{DD} tolerance^{Note 2}) in 1-bit units using port output mode register 0 (POM0).

This port can also be used for programming UART transmission/reception, serial interface data I/O, clock I/O, timer I/O, and external interrupt request input. For the 80-pin products, this port can be used for segment output of LCD controller/driver.

Reset signal generation sets port 0 to input mode. For the 80-pin products, P02 to P07 pins are set to the digital input invalid mode^{Note 3}.

- Notes**
1. For 64-pin products
 2. For 80, 100-pin products
 3. "Digital input invalid" refers to the state in which all the digital outputs, digital inputs, and LCD outputs are disabled.

4.2.2 Port 1

Port 1 is an I/O port with an output latch. Port 1 can be set to the input mode or output mode in 1-bit units using port mode register 1 (PM1). When the P10 to P17 pins are used as an input port, use of an on-chip pull-up resistor can be specified in 1-bit units by pull-up resistor option register 1 (PU1).

Input to the P12^{Note 1}, P13^{Note 1}, P15, and P16 pins can be specified through a normal input buffer or a TTL input buffer in 1-bit units using port input mode register 1 (PIM1).

Output from the P12 to P14^{Note 1} and P15 to P17 pins can be specified as N-ch open-drain output (V_{DD} tolerance^{Note 1} / EV_{DD} tolerance^{Note 2}) in 1-bit units using port output mode register 1 (POM1).

This port can also be used for serial interface data I/O, clock I/O, and segment output of LCD controller/driver.

Reset signal generation sets port 1 to the digital input invalid mode^{Note 3}.

- Notes**
1. For 64-pin products
 2. For 80, 100-pin products
 3. "Digital input invalid" refers to the state in which all the digital outputs, digital inputs, and LCD outputs are disabled.

4.2.3 Port 2

Port 2 is an I/O port with an output latch. Port 2 can be set to the input mode or output mode in 1-bit units using port mode register 2 (PM2).

This port can also be used for analog inputs to the A/D converter, reference voltage inputs (positive and negative sides), and an electric potential input for the detection of low external voltages.

To use P20/ANI0 to P25/ANI5 as digital I/O pins, set them in the digital I/O mode by using the A/D port configuration register (ADPC). Use these pins starting from the upper bit.

To use P20/ANI0 to P25/ANI5 as analog input pins, set them in the analog input mode by using the A/D port configuration register (ADPC) and in the input mode by using the PM2 register. Use these pins starting from the lower bit.

Reset signal generation sets port 2 to the analog input mode.

Table 4-2. Setting Functions of ANI0/P21 to ANI5/P25 Pins

ADPC Register	PM2 Register	ADS Register	P20/AV _{REFP} /ANI0, P21/AV _{REFM} /ANI1, P22/ANI2/EXLVD, P23/ANI3, P24/ANI4, and P25/ANI5 Pins
Digital I/O selection	Input mode	×	Digital input
	Output mode	×	Digital output
Analog input selection	Input mode	Selects ANI.	Analog input (to be converted) (when ANI0 to ANI5 pins are used)
		Does not select ANI.	Analog input (not to be converted) (when EXLVD pin is used)
	Output mode	Selects ANI.	Setting prohibited
		Does not select ANI.	

Remark ×: don't care

4.2.4 Port 3

Port 3 is an I/O port with an output latch. Port 3 can be set to the input mode or output mode in 1-bit units using port mode register 3 (PM3). When the P30 to P37 pins are used as an input port, use of an on-chip pull-up resistor can be specified in 1-bit units by pull-up resistor option register 3 (PU3).

For 64-pin products, input to the P30 pin can be specified through a normal input buffer or a TTL input buffer in 1-bit units using port input mode register 3 (PIM3). For 64-pin products, output from the P31 pin can be specified as N-ch open-drain output (V_{DD} tolerance) in 1-bit units using port output mode register 3 (POM3).

This port can also be used for clock/buzzer output, timer I/O, and segment output of LCD controller/driver. For 64-pin products, this port can also be used for serial interface data I/O, transmission/reception for IrDA, and external interrupt request input.

Reset signal generation sets port 3 to the digital input invalid mode^{Note}.

Note "Digital input invalid" refers to the state in which all the digital outputs, digital inputs, and LCD outputs are disabled.

4.2.5 Port 4

Port 4 is an I/O port with an output latch. Port 4 can be set to the input mode or output mode in 1-bit units using port mode register 4 (PM4). When the P40 to P43 pins are used as an input port, use of an on-chip pull-up resistor can be specified in 1-bit units by pull-up resistor option register 4 (PU4).

This port can also be used for external interrupt request input, clock/buzzer output, timer I/O, and data I/O for a flash memory programmer/debugger.

Reset signal generation sets port 4 to input mode.

4.2.6 Port 5

Port 5 is an I/O port with an output latch. Port 5 can be set to the input mode or output mode in 1-bit units using port mode register 5 (PM5). When the P50 to P57 pins are used as an input port, use of an on-chip pull-up resistor can be specified in 1-bit units by pull-up resistor option register 5 (PU5). Input to the P55 and P57 pins can be specified through a normal input buffer or a TTL input buffer in 1-bit units using port input mode register 5 (PIM5). Output from the P56 and P57 pins can be specified as N-ch open-drain output (V_{DD} tolerance) in 1-bit units using port output mode register 5 (POM5).

This port can also be used for serial interface data I/O, clock I/O, transmission/reception for IrDA, and segment output of LCD controller/driver.

Reset signal generation sets port 5 to the digital input invalid mode^{Note}.

Note “Digital input invalid” refers to the state in which all the digital outputs, digital inputs, and LCD outputs are disabled.

4.2.7 Port 6

Port 6 is an I/O port with an output latch. Port 6 can be set to the input mode or output mode in 1-bit units using port mode register 6 (PM6).

The output of the P60, P61, and P62 pins is N-ch open-drain output (6 V tolerance).

This port can also be used for serial interface data I/O, clock I/O, timer I/O, and real-time clock correction clock output.

Reset signal generation sets port 6 to input mode.

4.2.8 Port 7

Port 7 is an I/O port with an output latch. Port 7 can be set to the input mode or output mode in 1-bit units using port mode register 7 (PM7). When the P70 to P77 pins are used as an input port, use of an on-chip pull-up resistor can be specified in 1-bit units by pull-up resistor option register 7 (PU7).

This port can also be used for segment output of LCD controller/driver, key interrupt input, and external interrupt request input.

Reset signal generation sets port 7 to the digital input invalid mode^{Note}.

Note “Digital input invalid” refers to the state in which all the digital outputs, digital inputs, and LCD outputs are disabled.

4.2.9 Port 8

Port 8 is an I/O port with an output latch. Port 8 can be set to the input mode or output mode in 1-bit units using port mode register 8 (PM8). When the P80 to P85 pins are used as an input port, use of an on-chip pull-up resistor can be specified in 1-bit units by pull-up resistor option register 8 (PU8).

Input to the P80, P81, and P84 pins can be specified through a normal input buffer or a TTL input buffer in 1-bit units using port input mode register 8 (PIM8).

Output from the P80 to P82, P84, and P85 pins can be specified as N-ch open-drain output (V_{DD} tolerance^{Note 1} / E_{VDD} tolerance^{Note 2}) in 1-bit units using port output mode register 8 (POM8).

This port can also be used for serial interface data I/O, clock I/O, and segment output of LCD controller/driver.

Reset signal generation sets port 8 to the digital input invalid mode^{Note 3}.

- Notes**
1. For 64-pin products
 2. For 80, 100-pin products
 3. “Digital input invalid” refers to the state in which all the digital outputs, digital inputs, and LCD outputs are disabled.

4.2.10 Port 12

P125 to P127 are an I/O port with an output latch. Port 12 can be set to the input mode or output mode in 1-bit units using port mode register 12 (PM12). When the P125 to P127 pins are used as an input port, use of an on-chip pull-up resistor can be specified by pull-up resistor option register 12 (PU12).

P121 to P124 are 4-bit input-only ports.

This port can also be used for connecting resonator for main system clock, connecting resonator for subsystem clock, external clock input for main system clock, external clock input for subsystem clock, connecting a capacitor for LCD controller/driver, power supply voltage pin for driving the LCD, external interrupt request input, and timer I/O.

Reset signal generation sets P121 to P124 to input mode. P125 to P127 are set in the digital invalid mode^{Note}.

Note “Digital input invalid” refers to the state in which all the digital outputs, digital inputs, and LCD outputs are disabled.

4.2.11 Port 13

P137 is a 1-bit input-only port. P137 is fixed an input mode.

This port can also be used for external interrupt request input.

4.2.12 Port 15

Port 15 is an I/O port with an output latch. Port 15 can be set to the input mode or output mode in 1-bit units using port mode register 15 (PM15). When the P150 to P152 pins are used as an input port, use of an on-chip pull-up resistor can be specified in 1-bit units by pull-up resistor option register 15 (PU15). The default setting following assertion of the reset signal is for the pull-up resistors of P150 to P152 to be enabled.

This port can also be used for RTC time capture input and real-time clock correction clock output.

Reset signal generation sets port 15 to input mode (connected to the internal pull-up resistor).

4.3 Registers Controlling Port Function

Port functions are controlled by the following registers.

- Port mode registers (PMxx)
- Port registers (Pxx)
- Pull-up resistor option registers (PUxx)
- Port input mode registers (PIMxx)
- Port output mode registers (POMxx)
- A/D port configuration register (ADPC)
- Peripheral I/O redirection register (PIOR0)
- Global digital input disable register (GDIDIS)
- LCD port function registers (PFSEG0 to PFSEG5)
- LCD input switch control register (ISCLCD)

Caution Which registers and bits are included depends on the product. For registers and bits mounted on each product, see Table 4-3. Be sure to set bits that are not mounted to their initial values.

Table 4-3. PMxx, Pxx, PUxx, PIMxx, POMxx Registers and the Bits Mounted on Each Product (1/3)

Port		Bit Name					64 Pin	80 Pin	100 Pin
		PMxx Register	Pxx Register	PUxx Register	PIMxx Register	POMxx Register			
Port 0	0	–	–	–	–	–	–	–	–
	1	–	–	–	–	–	–	–	–
	2	PM02	P02	PU02	PIM02	POM02	–	√	√
	3	PM03	P03	PU03	PIM03	POM03	–	√	√
	4	PM04	P04	PU04	–	POM04	–	√	√
	5	PM05	P05	PU05	PIM05	POM05	√	√	√
	6	PM06	P06	PU06	PIM06	POM06	√	√	√
	7	PM07	P07	PU07	–	POM07	√	√	√
Port 1	0	PM10	P10	PU10	–	–	√	√	√
	1	PM11	P11	PU11	–	–	√	√	√
	2	PM12	P12	PU12	PIM12 ^{Note}	POM12 ^{Note}	√	√	√
	3	PM13	P13	PU13	PIM13 ^{Note}	POM13 ^{Note}	√	√	√
	4	PM14	P14	PU14	–	POM14 ^{Note}	√	√	√
	5	PM15	P15	PU15	PIM15	POM15	√	√	√
	6	PM16	P16	PU16	PIM16	POM16	√	√	√
	7	PM17	P17	PU17	–	POM17	√	√	√
Port 2	0	PM20	P20	–	–	–	√	√	√
	1	PM21	P21	–	–	–	√	√	√
	2	PM22	P22	–	–	–	√	√	√
	3	PM23	P23	–	–	–	√	√	√
	4	PM24	P24	–	–	–	–	–	√
	5	PM25	P25	–	–	–	–	–	√
		6	–	–	–	–	–	–	–
	7	–	–	–	–	–	–	–	
Port 3	0	PM30	P30	PU30	PIM30 ^{Note}	–	√	√	√
	1	PM31	P31	PU31	–	POM31 ^{Note}	√	√	√
	2	PM32	P32	PU32	–	–	–	√	√
	3	PM33	P33	PU33	–	–	–	√	√
	4	PM34	P34	PU34	–	–	–	–	√
	5	PM35	P35	PU35	–	–	–	–	√
	6	PM36	P36	PU36	–	–	–	–	√
	7	PM37	P37	PU37	–	–	–	√	

Note For 64-pin products

Table 4-3. PMxx, Pxx, PUxx, PIMxx, POMxx Registers and the Bits Mounted on Each Product (2/3)

Port		Bit Name					64 Pin	80 Pin	100 Pin
		PMxx Register	Pxx Register	PUxx Register	PIMxx Register	POMxx Register			
Port 4	0	PM40	P40	PU40	–	–	√	√	√
	1	PM41	P41	PU41	–	–	–	√	√
	2	PM42	P42	PU42	–	–	–	–	√
	3	PM43	P43	PU43	–	–	√	–	√
	4	–	–	–	–	–	–	–	–
	5	–	–	–	–	–	–	–	–
	6	–	–	–	–	–	–	–	–
	7	–	–	–	–	–	–	–	–
Port 5	0	PM50	P50	PU50	–	–	–	–	√
	1	PM51	P51	PU51	–	–	–	–	√
	2	PM52	P52	PU52	–	–	–	–	√
	3	PM53	P53	PU53	–	–	–	–	√
	4	PM54	P54	PU54	–	–	–	–	√
	5	PM55	P55	PU55	PIM55	–	–	√	√
	6	PM56	P56	PU56	–	POM56	–	√	√
	7	PM57	P57	PU57	PIM57	POM57	–	–	√
Port 6	0	PM60	P60	–	–	–	√	√	√
	1	PM61	P61	–	–	–	√	√	√
	2	PM62	P62	–	–	–	√	√	√
	3	–	–	–	–	–	–	–	–
	4	–	–	–	–	–	–	–	–
	5	–	–	–	–	–	–	–	–
	6	–	–	–	–	–	–	–	–
	7	–	–	–	–	–	–	–	–
Port 7	0	PM70	P70	PU70	–	–	√	√	√
	1	PM71	P71	PU71	–	–	√	√	√
	2	PM72	P72	PU72	–	–	√	√	√
	3	PM73	P73	PU73	–	–	√	√	√
	4	PM74	P74	PU74	–	–	√	√	√
	5	PM75	P75	PU75	–	–	–	√	√
	6	PM76	P76	PU76	–	–	–	√	√
	7	PM77	P77	PU77	–	–	–	√	√

Table 4-3. PMxx, Pxx, PUxx, PIMxx, POMxx Registers and the Bits Mounted on Each Product (3/3)

Port		Bit Name					64 Pin	80 Pin	100 Pin
		PMxx Register	Pxx Register	PUxx Register	PIMxx Register	POMxx Register			
Port 8	0	PM80	P80	PU80	PIM80	POM80	–	√	√
	1	PM81	P81	PU81	PIM81	POM81	–	√	√
	2	PM82	P82	PU82	–	POM82	–	√	√
	3	PM83	P83	PU83	–	–	–	√	√
	4	PM84	P84	PU84	PIM84	POM84	–	–	√
	5	PM85	P85	PU85	–	POM85	–	–	√
	6	–	–	–	–	–	–	–	–
	7	–	–	–	–	–	–	–	–
Port 12	0	–	–	–	–	–	–	–	–
	1	–	P121	–	–	–	√	√	√
	2	–	P122	–	–	–	√	√	√
	3	–	P123	–	–	–	√	√	√
	4	–	P124	–	–	–	√	√	√
	5	PM125	P125	PU125	–	–	√	√	√
	6	PM126	P126	PU126	–	–	√	√	√
	7	PM127	P127	PU127	–	–	√	√	√
Port 13	0	–	–	–	–	–	–	–	–
	1	–	–	–	–	–	–	–	–
	2	–	–	–	–	–	–	–	–
	3	–	–	–	–	–	–	–	–
	4	–	–	–	–	–	–	–	–
	5	–	–	–	–	–	–	–	–
	6	–	–	–	–	–	–	–	–
	7	–	P137	–	–	–	√	√	√
Port 15	0	PM150	P150	PU150	–	–	–	√	√
	1	PM151	P151	PU151	–	–	–	√	√
	2	PM152	P152	PU152	–	–	–	√	√
	3	–	–	–	–	–	–	–	–
	4	–	–	–	–	–	–	–	–
	5	–	–	–	–	–	–	–	–
	6	–	–	–	–	–	–	–	–
	7	–	–	–	–	–	–	–	–

4.3.1 Port mode registers (PMxx)

These registers specify input or output mode for the port in 1-bit units.

These registers can be set by a 1-bit or 8-bit memory manipulation instruction.

Reset signal generation sets these registers to FFH.

When port pins are used as alternate-function pins, set the port mode register by referencing **4.5 Register Settings When Using Alternate Function.**

Figure 4-1. Format of Port Mode Register

Symbol	7	6	5	4	3	2	1	0	Address	After reset	R/W
PM0	PM07	PM06	PM05	PM04	PM03	PM02	1	1	FFF20H	FFH	R/W
PM1	PM17	PM16	PM15	PM14	PM13	PM12	PM11	PM10	FFF21H	FFH	R/W
PM2	1	1	PM25	PM24	PM23	PM22	PM21	PM20	FFF22H	FFH	R/W
PM3	PM37	PM36	PM35	PM34	PM33	PM32	PM31	PM30	FFF23H	FFH	R/W
PM4	1	1	1	1	PM43	PM42	PM41	PM40	FFF24H	FFH	R/W
PM5	PM57	PM56	PM55	PM54	PM53	PM52	PM51	PM50	FFF25H	FFH	R/W
PM6	1	1	1	1	1	PM62	PM61	PM60	FFF26H	FFH	R/W
PM7	PM77	PM76	PM75	PM74	PM73	PM72	PM71	PM70	FFF27H	FFH	R/W
PM8	1	1	PM85	PM84	PM83	PM82	PM81	PM80	FFF28H	FFH	R/W
PM12	PM127	PM126	PM125	1	1	1	1	1	FFF2CH	FFH	R/W
PM15	1	1	1	1	1	PM152	PM151	PM150	FFF2FH	FFH	R/W
PMmn	Pmn pin I/O mode selection (m = 0 to 8, 12, 15; n = 0 to 7)										
0	Output mode (output buffer on)										
1	Input mode (output buffer off)										

Caution Be sure to set bits that are not mounted to their initial values.

4.3.2 Port registers (Pxx)

These registers set the output latch value of a port.

If the data is read in the input mode, the pin level is read. If it is read in the output mode, the output latch value is read^{Note}.

These registers can be set by a 1-bit or 8-bit memory manipulation instruction.

Reset signal generation clears these registers to 00H.

Note If P20 to P25 are set up as analog inputs of the A/D converter or comparator, when a port is read while in the input mode, 0 is always returned, not the pin level.

Figure 4-2. Format of Port Register

Symbol	7	6	5	4	3	2	1	0	Address	After reset	R/W
P0	P07	P06	P05	P04	P03	P02	0	0	FFF00H	00H (output latch)	R/W
P1	P17	P16	P15	P14	P13	P12	P11	P10	FFF01H	00H (output latch)	R/W
P2	0	0	P25	P24	P23	P22	P21	P20	FFF02H	00H (output latch)	R/W
P3	P37	P36	P35	P34	P33	P32	P31	P30	FFF03H	00H (output latch)	R/W
P4	0	0	0	0	P43	P42	P41	P40	FFF04H	00H (output latch)	R/W
P5	P57	P56	P55	P54	P53	P52	P51	P50	FFF05H	00H (output latch)	R/W
P6	0	0	0	0	0	P62	P61	P60	FFF06H	00H (output latch)	R/W
P7	P77	P76	P75	P74	P73	P72	P71	P70	FFF07H	00H (output latch)	R/W
P8	0	0	P85	P84	P83	P82	P81	P80	FFF08H	00H (output latch)	R/W
P12	P127	P126	P125	P124	P123	P122	P121	0	FFF0CH	Undefined	R/W ^{Note}
P13	P137	0	0	0	0	0	0	0	FFF0DH	Undefined	R/W ^{Note}
P15	0	0	0	0	0	P152	P151	P150	FFF0FH	00H (output latch)	R/W

Pmn	Output data control (in output mode)	Input data read (in input mode)
0	Output 0	Input low level
1	Output 1	Input high level

Note P121 to P124 and P137 are read-only.

Caution Be sure to set bits that are not mounted to their initial values.

Remark m = 0 to 8, 12, 13, 15 ; n = 0 to 7

4.3.3 Pull-up resistor option registers (PUxx)

These registers specify whether the on-chip pull-up resistors are to be used or not. On-chip pull-up resistors can be used in 1-bit units only for the bits set to normal output mode (POMmn = 0) and input mode (PMmn = 1) for the pins to which the use of an on-chip pull-up resistor has been specified in these registers. On-chip pull-up resistors cannot be connected to bits set to output mode and bits used as alternate-function output pins and analog setting (ADPC = 1), regardless of the settings of these registers.

These registers can be set by a 1-bit or 8-bit memory manipulation instruction.

Reset signal generation clears these registers to 00H (PU4 is set to 01H, PU15 is set to 07H).

Caution When a port with the PIMn register is input from different potential device to TTL buffer, pull up to the power supply of the different potential device via an external pull-up resistor by setting PUm_n = 0.

Figure 4-3. Format of Pull-up Resistor Option Register

Symbol	7	6	5	4	3	2	1	0	Address	After reset	R/W
PU0	PU07	PU06	PU05	PU04	PU03	PU02	0	0	F0030H	00H	R/W
PU1	PU17	PU16	PU15	PU14	PU13	PU12	PU11	PU10	F0031H	00H	R/W
PU3	PU37	PU36	PU35	PU34	PU33	PU32	PU31	PU30	F0033H	00H	R/W
PU4	0	0	0	0	PU43	PU42	PU41	PU40	F0034H	01H	R/W
PU5	PU57	PU56	PU55	PU54	PU53	PU52	PU51	PU50	F0035H	00H	R/W
PU7	PU77	PU76	PU75	PU74	PU73	PU72	PU71	PU70	F0037H	00H	R/W
PU8	0	0	PU85	PU84	PU83	PU82	PU81	PU80	F0038H	00H	R/W
PU12	PU127	PU126	PU125	0	0	0	0	0	F003CH	00H	R/W
PU15	0	0	0	0	0	PU152	PU151	PU150	F003FH	07H	R/W

PUm _n	Pm _n pin on-chip pull-up resistor selection (m = 0, 1, 3 to 5, 7, 8, 12, 15 ; n = 0 to 7)
0	On-chip pull-up resistor not connected
1	On-chip pull-up resistor connected

Caution Be sure to set bits that are not mounted to their initial values.

4.3.4 Port input mode registers (PIMxx)

These registers set the input buffer in 1-bit units.

TTL input buffer can be selected during serial communication with an external device of the different potential.

Port input mode registers can be set by a 1-bit or 8-bit memory manipulation instruction.

Reset signal generation clears these registers to 00H.

Figure 4-4. Format of Port Input Mode Register

Symbol	7	6	5	4	3	2	1	0	Address	After reset	R/W
PIM0	0	PIM06	PIM05	0	PIM03	PIM02	0	0	F0040H	00H	R/W
PIM1	0	PIM16	PIM15	0	PIM13 ^{Note}	PIM12 ^{Note}	0	0	F0041H	00H	R/W
PIM3 ^{Note}	0	0	0	0	0	0	0	PIM30 ^{Note}	F0043H	00H	R/W
PIM5	PIM57	0	PIM55	0	0	0	0	0	F0045H	00H	R/W
PIM8	0	0	0	PIM84	0	0	PIM81	PIM80	F0048H	00H	R/W
PIMmn	Pmn pin input buffer selection (m = 0, 1, 3 ^{Note} , 5, 8 ; n = 0 to 7)										
0	Normal input buffer										
1	TTL input buffer										

Note For 64-pin products

Caution Be sure to set bits that are not mounted to their initial values.

4.3.5 Port output mode registers (POMxx)

These registers set the output mode in 1-bit units.

N-ch open drain output (V_{DD} tolerance^{Note 1}/ EV_{DD} tolerance^{Note 2}) mode can be selected during serial communication with an external device of the different potential, and for the SDA00 and SDA10 pins during simplified I²C communication with an external device of the same potential.

In addition, POMxx register is set with PUxx register, whether or not to use the on-chip pull-up resistor.

These registers can be set by a 1-bit or 8-bit memory manipulation instruction.

Reset signal generation clears these registers to 00H.

Caution An on-chip pull-up resistor is not connected to a bit for which N-ch open drain output (V_{DD} tolerance^{Note 1}/ EV_{DD1} tolerance^{Note 2}) mode (POMmn = 1) is set.

Figure 4-5. Format of Port Input Mode Register

Symbol	7	6	5	4	3	2	1	0	Address	After reset	R/W
POM0	POM07	POM06	POM05	POM04	POM03	POM02	0	0	F0050H	00H	R/W
POM1	POM17	POM16	POM15	POM14 <small>Note 1</small>	POM13 <small>Note 1</small>	POM12 <small>Note 1</small>	0	0	F0051H	00H	R/W
<R> POM3 ^{Note 1}	0	0	0	0	0	0	POM31 <small>Note 1</small>	0	F0053H	00H	R/W
POM5	POM57	POM56	0	0	0	0	0	0	F0055H	00H	R/W
POM8	0	0	POM85	POM84	0	POM82	POM81	POM80	F0058H	00H	R/W
POMmn	Pmn pin output mode selection (m = 0, 1, 5, 8 ; n = 0 to 7)										
0	Normal output mode										
1	N-ch open-drain output (V_{DD} tolerance ^{Note 1} / EV_{DD1} tolerance ^{Note 2}) mode										

- Notes**
1. For 64-pin products
 2. For 80, 100-pin products

Caution Be sure to set bits that are not mounted to their initial values.

4.3.6 A/D port configuration register (ADPC)

This register switches the P20/AV_{REFP}/ANI0, P21/AV_{REFM}/ANI1, P22/ANI2/EXLVD, P23/ANI3, P24/ANI4, and P25/ANI5 pins to digital I/O of port or analog input of A/D converter or comparator.

The ADPC register can be set by an 8-bit memory manipulation instruction.

Reset signal generation sets this register to 00H.

Figure 4-6. Format of A/D Port Configuration Register (ADPC)

Address: F0076H After reset: 00H R/W

Symbol	7	6	5	4	3	2	1	0
ADPC	0	0	0	0	0	ADPC2	ADPC1	ADPC0

ADPC2	ADPC1	ADPC0	Analog input (A)/digital I/O (D) switching					
			ANI5/P25	ANI4/P24	ANI3/P23	ANI2/EXLVD/ P22	ANI1/P21	ANI0/P20
0	0	0	A	A	A	A	A	A
0	0	1	D	D	D	D	D	D
0	1	0	D	D	D	D	D	A
0	1	1	D	D	D	D	A	A
1	0	0	D	D	D	A	A	A
1	0	1	D	D	A	A	A	A
1	1	0	D	A	A	A	A	A
Other than above			Setting prohibited					

- Cautions**
1. Set the port to analog input by ADPC register to the input mode by using port mode register 2 (PM2).
 2. Do not set the pin set by the ADPC register as digital I/O by the analog input channel specification register (ADS).
 3. When using AV_{REFP} and AV_{REFM}, set ANI0 and ANI1 to analog input and set the port mode register to the input mode.

4.3.7 Global digital input disable register (GDIDIS)

This register is used to prevent through-current flowing from the input buffers which uses EV_{DD} as power supply when the battery backup function is enabled and power supply to EV_{DD} is stopped.

By setting the GDIDIS0 bit to 1, input to any input buffer connected to EV_{DD} is prohibited, preventing through-current from flowing when the power supply connected to EV_{DD} is turned off.

The GDIDIS register can be set by a 1-bit or 8-bit memory manipulation instruction.

Reset signal generation sets this register to 00H.

Figure 4-7. Format of Global Digital Input Disable Register (GDIDIS)

Address: F007DH After reset: 00H R/W

Symbol	7	6	5	4	3	2	1	0
GDIDIS	0	0	0	0	0	0	0	GDIDIS0

GDIDIS0	Setting of input buffers using EV _{DD} power supply
0	Input to input buffers permitted (default)
1	Input to input buffers prohibited. No through-current flows to the input buffers.

Turn off the EV_{DD} power supply with the following procedure.

1. Prohibit input to input buffers (set GDIDIS0 = 1).
2. Turn off the EV_{DD} power supply.

Turn on again the EV_{DD} power supply with the following procedure.

1. Turn on the EV_{DD} power supply.
2. Permit input to input buffers (set GDIDIS0 = 0).

- Cautions**
1. Do not input an input voltage equal to or greater than EV_{DD} to an input port that uses EV_{DD} as the power supply.
 2. When input to input buffers is prohibited (GDIDIS0 = 1), the value read from the port register (Pxx) of a port that uses EV_{DD} as the power supply is 1. When 1 is set in the port output mode register (POMxx) (N-ch open drain output (EV_{DD} tolerance) mode), the value read from the port register (Pxx) is 0.

Remark Even when input to input buffers is prohibited (GDIDIS0 = 1), peripheral functions which do not use port functions having EV_{DD} as the power supply can be used.

4.3.8 Peripheral I/O redirection register (PIOR0)

This register is used to specify whether to enable or disable the peripheral I/O redirect function.

This function is used to switch ports to which alternate functions are assigned.

Use the PIOR0 register to assign a port to the function to redirect and enable the function.

In addition, can be changed the settings for redirection until its function enable operation.

The PIOR0 register can be set by an 8-bit memory manipulation instruction.

Reset signal generation sets this register to 00H.

Figure 4-8. Format of Peripheral I/O Redirection Register (PIOR0)

Address: F0077H After reset: 00H R/W

Symbol	7	6	5	4	3	2	1	0
PIOR0	0	0	0	PIOR04	PIOR03	PIOR02	PIOR01	PIOR00

Bit	Function	100-pin		80-pin		64-pin	
		Setting value		Setting value		Setting value	
		0	1	0	1	0	1
PIOR04	INTP0 ^{Note}	P137	P70	P137	P70	P137	P70
	INTP1	P125	P71	P125	P71	P125	P71
	INTP2	P07	P72	P07	P72	P07	P72
	INTP3	P05	P73	P05	P73	P05	P73
	INTP4	P04	P74	P04	P74	P06	P74
	INTP5	P02	P75	P02	P75	P30	–
	INTP6	P41	P76	P41	P76	P13	–
PIOR03	PCLBUZ0	P43	P33	–	P33	P43	P74
	PCLBUZ1	P41	P32	P41	P32	P125	P73
	RTCOUT	P150	P62	P150	P62	P43	P62
PIOR02	SO10/TXD1	P04	P82	P04	P82	P14	–
	SI10/RXD1/SDA10	P03	P81	P03	P81	P13	–
	SCK10/SCL10	P02	P80	P02	P80	P12	–
PIOR01	SO00/TXD0	P07	P17	P07	P17	P07	P17
	SI00/RXD0/SDA00	P06	P16	P06	P16	P06	P16
	SCK00/SCL00	P05	P15	P05	P15	P05	P15
PIOR00	TI00/TO00	P43	P60	–	P60	P43	P60
	TI01/TO01	P41	P61	P41	P61	P72	P61
	TI02/TO02	P07	P62	P07	P62	P07	P62
	TI03/TO03	P06	P127	P06	P127	P06	P127
	TI04/TO04	P05	P126	P05	P126	P05	P126
	TI05/TO05	P04	P125	P04	P125	P125	–
	TI06/TO06	P03	P31	P03	P31	P31	–
TI07/TO07	P02	P30	P02	P30	P30	–	

Note Uses a battery backup function and the P137 pin is enabled when supplying power from VBAT. When the INTP0 function is assigned to P70, note that the interrupt function is disabled when supplying power from VBAT.

4.3.9 LCD port function registers 0 to 5 (PFSEG0 to PFSEG5)

These registers set whether to use pins P10 to P17, P30 to P37, P50 to P57, P70 to P77, P80 to P85 as port pins (other than segment output pins) or segment output pins.

These registers can be set by a 1-bit or 8-bit memory manipulation instruction.

Reset signal generation sets these registers to FFH (PFSEG0 is set to F0H, and PFSEG5 is set to 03H).

Remark The correspondence between the segment output pins (SEGxx) and the PFSEG register (PFSEGxx bits) and the existence of SEGxx pins in each product are shown in Table 4-4 Segment Output Pins in Each Product and Correspondence with PFSEG Register (PFSEG Bits).

Figure 4-9. Format of LCD port function registers 0 to 5 (PFSEG0 to PFSEG5)

Address: F0300H After reset: F0H R/W

Symbol	7	6	5	4	3	2	1	0
PFSEG0	PFSEG07	PFSEG06	PFSEG05	PFSEG04	0	0	0	0

Address: F0301H After reset: FFH R/W

Symbol	7	6	5	4	3	2	1	0
PFSEG1	PFSEG15 <small>Note 3</small>	PFSEG14 <small>Note 3</small>	PFSEG13 <small>Note 3</small>	PFSEG12 <small>Note 3</small>	PFSEG11	PFSEG10	PFSEG09	PFSEG08

Address: F0302H After reset: FFH R/W

Symbol	7	6	5	4	3	2	1	0
PFSEG2	PFSEG23 <small>Note 3</small>	PFSEG22 <small>Note 3</small>	PFSEG21 <small>Note 3</small>	PFSEG20	PFSEG19	PFSEG18	PFSEG17	PFSEG16

<R> Address: F0303H After reset: FFH (R5F10NPJ, R5F10NMJ, R5F10NPG), 0FH (R5F10NMG, R5F10NLG, R5F10NME, R5F10NLE) R/W

Symbol	7	6	5	4	3	2	1	0
PFSEG3	PFSEG31 <small>Notes 1, 2, 3</small>	PFSEG30 <small>Notes 1, 2, 3</small>	PFSEG29 <small>Notes 1, 2, 3</small>	PFSEG28 <small>Notes 1, 2, 3</small>	PFSEG27 <small>Note 3</small>	PFSEG26 <small>Note 3</small>	PFSEG25	PFSEG24

<R> Address: F0304H After reset: FFH (R5F10NPJ, R5F10NMJ, R5F10NPG), 3FH (R5F10NMG, R5F10NLG, R5F10NME, R5F10NLE) R/W

Symbol	7	6	5	4	3	2	1	0
PFSEG4	PFSEG39 <small>Notes 1, 2</small>	PFSEG38 <small>Notes 1, 2</small>	PFSEG37	PFSEG36	PFSEG35	PFSEG34	PFSEG33	PFSEG32

Address: F0305H After reset: 03H R/W

Symbol	7	6	5	4	3	2	1	0
PFSEG5	0	0	0	0	0	0	PFSEG41	PFSEG40

PFSEGxx (xx = 04 to 41)	Port (other than segment output)/segment outputs specification of Pmn pins (mn = 10 to 17, 30 to 37, 50 to 57, 70 to 77, 80 to 85)
0	Used the Pmn pin as port (other than segment output)
1	Used the Pmn pin as segment output

- <R> **Notes**
1. For R5F10NMG, R5F10NLG, R5F10NME, and R5F10NLE, the initial value is 0. Writing 1 to this bit does not affect operation, and the value read is 0.
 2. Be sure to set "1" for 80-pin products.
 3. Be sure to set "1" for 64-pin products.

Caution Be sure to set bits that are not mounted to their initial values.

Remark To use the Pmn pins as segment output pins (PFSEGxx = 1), be sure to set the PUm_n bit of the PUm register, POM_{mn} bit of the POM_m register, and PIM_{mn} bit of the PIM_m register to "0".

Table 4-4. Segment Output Pins in Each Product and Correspondence with PFSEG Register (PFSEG Bits)

Bit Name of PFSEG Register	Corresponding SEGxx Pins	Alternate Port	64-pin	80-pin	100-pin
PFSEG04	SEG4	P10	√	√	√
PFSEG05	SEG5	P11	√	√	√
PFSEG06	SEG6	P12	√	√	√
PFSEG07	SEG7	P13	√	√	√
PFSEG08	SEG8	P14	√	√	√
PFSEG09	SEG9	P15	√	√	√
PFSEG10	SEG10	P16	√	√	√
PFSEG11	SEG11	P17	√	√	√
PFSEG12	SEG12	P80	–	√	√
PFSEG13	SEG13	P81	–	√	√
PFSEG14	SEG14	P82	–	√	√
PFSEG15	SEG15	P83	–	√	√
PFSEG16	SEG16	P70	√	√	√
PFSEG17	SEG17	P71	√	√	√
PFSEG18	SEG18	P72	√	√	√
PFSEG19	SEG19	P73	√	√	√
PFSEG20	SEG20	P74	√	√	√
PFSEG21	SEG21	P75	–	√	√
PFSEG22	SEG22	P76	–	√	√
PFSEG23	SEG23	P77	–	√	√
PFSEG24	SEG24	P30	√	√	√
PFSEG25	SEG25	P31	√	√	√
PFSEG26	SEG26	P32	–	√	√
PFSEG27	SEG27	P33	–	√	√
PFSEG28	SEG28	P34	–	–	√
PFSEG29	SEG29	P35	–	–	√
PFSEG30	SEG30	P36	–	–	√
PFSEG31	SEG31	P37	–	–	√
PFSEG32	SEG32	80-pin products: P02 100-pin products: P50	–	√	√
PFSEG33	SEG33	80-pin products: P03 100-pin products: P51	–	√	√
PFSEG34	SEG34	80-pin products: P04 100-pin products: P52	–	√	√
PFSEG35	SEG35	80-pin products: P05 100-pin products: P53	–	√	√
PFSEG36	SEG36	80-pin products: P06 100-pin products: P54	–	√	√
PFSEG37	SEG37	80-pin products: P07 100-pin products: P55	–	√	√
PFSEG38	SEG38	P56	–	–	√
PFSEG39	SEG39	P57	–	–	√
PFSEG40	SEG40	P84	–	–	√
PFSEG41	SEG41	P85	–	–	√

4.3.10 LCD input switch control register (ISCLCD)

This register sets whether to use pins P125 to P127 as port pins (other than LCD function pins) or LCD function pins (VL3, CAPL, CAPH).

The ISCLCD register can be set by a 1-bit or 8-bit memory manipulation instruction.
Reset signal generation sets this register to 00H.

Figure 4-10. Format of LCD input switch control register (ISCLCD)

Address: F0308H After reset: 00H R/W

Symbol	7	6	5	4	3	2	1	0
ISCLCD	0	0	0	0	0	0	ISCVL3	ISCCAP

ISCVL3	Control of schmitt trigger buffer of VL3/P125 pin
0	Makes digital input invalid (used as LCD function pin (VL3))
1	Makes digital input valid

ISCCAP	Control of schmitt trigger buffer of CAPL/ P126 and CAPH/P127 pins
0	Makes digital input invalid (used as LCD function pins (CAPL,CAPH))
1	Makes digital input valid

Caution If ISCVL3 bit = 0 and ISCCAP bit = 0, set the corresponding port control registers as follows:
 PU127 bit of PU12 register = 0, P127 bit of P12 register = 0
 PU126 bit of PU12 register = 0, P126 bit of P12 register = 0
 PU125 bit of PU12 register = 0, P125 bit of P12 register = 0

4.4 Port Function Operations

Port operations differ depending on whether the input or output mode is set, as shown below.

4.4.1 Writing to I/O port

(1) Output mode

A value is written to the output latch by a transfer instruction, and the output latch contents are output from the pin.

Once data is written to the output latch, it is retained until data is written to the output latch again.

The data of the output latch is cleared when a reset signal is generated.

(2) Input mode

A value is written to the output latch by a transfer instruction, but since the output buffer is off, the pin status does not change. Therefore, byte data can be written to the ports used for both input and output.

Once data is written to the output latch, it is retained until data is written to the output latch again.

The data of the output latch is cleared when a reset signal is generated.

4.4.2 Reading from I/O port

(1) Output mode

The output latch contents are read by a transfer instruction. The output latch contents do not change.

(2) Input mode

The pin status is read by a transfer instruction. The output latch contents do not change.

4.4.3 Operations on I/O port

(1) Output mode

An operation is performed on the output latch contents, and the result is written to the output latch. The output latch contents are output from the pins.

Once data is written to the output latch, it is retained until data is written to the output latch again.

The data of the output latch is cleared when a reset signal is generated.

(2) Input mode

The pin level is read and an operation is performed on its contents. The result of the operation is written to the output latch, but since the output buffer is off, the pin status does not change. Therefore, byte data can be written to the ports used for both input and output.

The data of the output latch is cleared when a reset signal is generated.

4.4.4 Connecting to external device with different potential (1.8 V, 2.5 V, 3 V)

When connecting an external device operating on a different potential (1.8 V, 2.5 V or 3 V), it is possible to connect the I/O pins of general ports by changing EV_{DD} to accord with the power supply of the connected device.

4.4.5 Handling different potential (1.8 V, 2.5 V, 3 V) by using I/O buffers

It is possible to connect an external device operating on a different potential (1.8 V, 2.5 V or 3 V) by switching I/O buffers with port input mode registers 0, 1, 3, 5, and 8 (PIM0, PIM1, PIM3, PIM5, and PIM8) and port output mode registers 0, 1, 3, 5, and 8 (POM0, POM1, POM3, POM5, and POM8).

When receiving input from an external device with a different potential (1.8 V, 2.5 V or 3 V), set port input mode registers 0, 1, 3, 5, and 8 (PIM0, PIM1, PIM3, PIM5, and PIM8) on a bit-by-bit basis to enable normal input (CMOS)/TTL input buffer switching.

When outputting data to an external device with a different potential (1.8 V, 2.5 V or 3 V), set port output mode registers 0, 1, 3, 5, and 8 (POM0, POM1, POM3, POM5, and POM8) on a bit-by-bit basis to enable normal output (CMOS)/N-ch open drain (V_{DD} tolerance^{Note 1}/ EV_{DD} tolerance^{Note 2}) switching.

The connection of a serial interface is described in the following.

- Notes**
1. For 64-pin products
 2. For 80, 100-pin products

(1) Setting procedure when using input pins of UART0 to UART3, CSI00, CSI10, and CSI30 functions for the TTL input buffer

- In case of UART0: P06 (P16)
- In case of UART1: P03 (P81)
- In case of UART2: P55
- In case of UART3: P84
- In case of CSI00: P05, P06 (P15, P16)
- In case of CSI10: P02, P03 (P80, P81)
- In case of CSI30: P57, P84

Remark Functions in parentheses can be assigned via settings in the peripheral I/O redirection register (PIOR0).

- <1> Using an external resistor, pull up externally the pin to be used to the power supply of the target device (on-chip pull-up resistor cannot be used).
- <2> Set the corresponding bit of the PIM0, PIM1, PIM3, PIM5, and PIM8 registers to 1 to switch to the TTL input buffer. For V_{IH} and V_{IL} , refer to the DC characteristics when the TTL input buffer is selected.
- <3> Enable the operation of the serial array unit and set the mode to the UART/CSI mode.

(2) Setting procedure when using output pins of UART0 to UART3, CSI00, CSI10, and CSI30 functions in N-ch open-drain output mode

In case of UART0: P07 (P17)
 In case of UART1: P04 (P82)
 In case of UART2: P56
 In case of UART3: P85
 In case of CSI00: P05, P07 (P15, P17)
 In case of CSI10: P02, P04 (P80, P82)
 In case of CSI30: P57, P85

Remark Functions in parentheses can be assigned via settings in the peripheral I/O redirection register (PIOR0).

- <1> Using an external resistor, pull up externally the pin to be used to the power supply of the target device (on-chip pull-up resistor cannot be used).
- <2> After reset release, the port mode changes to the input mode (Hi-Z).
- <3> Set the output latch of the corresponding port to 1.
- <4> Set the corresponding bit of the POM0, POM1, POM3, POM5, and POM8 registers to 1 to set the N-ch open drain output (V_{DD} tolerance^{Note 1}/ EV_{DD} tolerance^{Note 2}) mode.
- <5> Enable the operation of the serial array unit and set the mode to the UART/CSI mode.
- <6> Set the output mode by manipulating the PM0, PM1, PM3, PM5, and PM8 registers.
 At this time, the output data is high level, so the pin is in the Hi-Z state.

Notes 1. For 64-pin products
 2. For 80, 100-pin products

(3) Setting procedure when using I/O pins of IIC00, IIC10, and IIC30 functions with a different potential (1.8 V, 2.5 V, 3 V)

In case of CSI00: P05, P06 (P15, P16)
 In case of CSI10: P02, P03 (P80, P81)
 In case of CSI30: P57, P84

Remark Functions in parentheses can be assigned via settings in the peripheral I/O redirection register (PIOR0).

- <1> Using an external resistor, pull up externally the pin to be used to the power supply of the target device (on-chip pull-up resistor cannot be used).
- <2> After reset release, the port mode is the input mode (Hi-Z).
- <3> Set the output latch of the corresponding port to 1.
- <4> Set the corresponding bit of the POM0, POM1, POM5, and POM8 registers to 1 to set the N-ch open drain output (V_{DD} tolerance^{Note 1}/ EV_{DD} tolerance^{Note 2}) mode.
- <5> Set the corresponding bit of the PIM0, PIM1, PIM5, and PIM8 registers to 1 to switch the TTL input buffer.
 For V_{IH} and V_{IL} , refer to the DC characteristics when the TTL input buffer is selected.
- <6> Enable the operation of the serial array unit and set the mode to the simplified I²C mode.
- <7> Set the corresponding bit of the PM0, PM1, PM5, and PM8 registers to the output mode (data I/O is possible in the output mode).
 At this time, the output data is high level, so the pin is in the Hi-Z state.

Notes 1. For 64-pin products
 2. For 80, 100-pin products

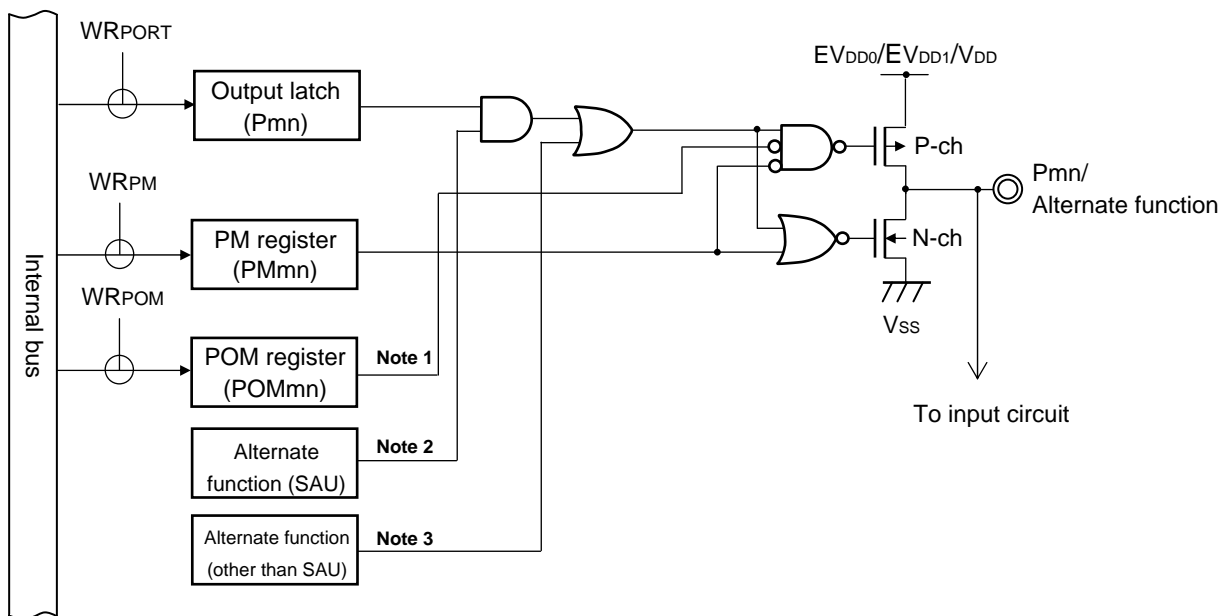
4.5 Register Settings When Using Alternate Function

4.5.1 Basic concept when using alternate function

In the beginning, for a pin also assigned to be used for analog input, use the ADPC register to specify whether to use the pin for analog input or digital input/output.

Figure 4-11 shows the basic configuration of an output circuit for pins used for digital input/output. The output of the output latch for the port and the output of the alternate SAU function are input to an AND gate. The output of the AND gate is input to an OR gate. The output of an alternate function other than SAU (TAU, RTC2, clock/buzzer output, IICA, etc.) is connected to the other input pin of the OR gate. When such kind of pins are used by the port function or an alternate function, the unused alternate function must not hinder the output of the function to be used. An idea of basic settings for this kind of case is shown in Table 4-5.

Figure 4-11. Basic Configuration of Output Circuit for Pins



- Notes 1.** When there is no POM register, this signal should be considered to be low level (0).
- 2.** When there is no alternate function, this signal should be considered to be high level (1).
- 3.** When there is no alternate function, this signal should be considered to be low level (0).

Remark m: Port number (m = 0 to 8, 12, 13, 15); n: Bit number (n = 0 to 7)

Table 4-5. Concept of Basic Settings

Output Function of Used Pin	Output Settings of Unused Alternate Function		
	Port Function	Output Function for SAU	Output Function for other than SAU
Output function for port	–	Output is high (1)	Output is low (0)
Output function for SAU	High (1)	–	Output is low (0)
Output function for other than SAU	Low (0)	Output is high (1)	Output is low (0) ^{Note}

Note Since more than one output function other than SAU may be assigned to a single pin, the output of an unused alternate function must be set to low level (0). For details on the setting method, see **4.5.2 Register settings for alternate function whose output function is not used.**

4.5.2 Register settings for alternate function whose output function is not used

When the output of an alternate function of the pin is not used, the following settings should be made. Note that when the peripheral I/O redirection function is the target, the output can be switched to another pin by setting the peripheral I/O redirection register (PIOR0). This allows usage of the port function or other alternate function assigned to the target pin.

(1) SOp = 1, TxDq = 1 (settings when the serial output (SOp/TxDq) of SAU is not used)

When the serial output (SOp/TxDq) is not used, such as, a case in which only the serial input of SAU is used, set the bit in serial output enable register m (SOEm) which corresponds to the unused output to 0 (output disabled) and set the SOMn bit in serial output register m (SOM) to 1 (high). These are the same settings as the initial state.

(2) SCKp = 1, SDAr = 1, SCLr = 1 (settings when channel n in SAU is not used)

When SAU is not used, set bit n (SEmn) in serial channel enable status register m (SEm) to 0 (operation stopped state), set the bit in serial output enable register m (SOEm) which corresponds to the unused output to 0 (output disabled), and set the SOMn and CKOMn bits in serial output register m (SOM) to 1 (high). These are the same settings as the initial state.

(3) TOMn = 0 (settings when the output of channel n in TAU is not used)

When the TOMn output of TAU is not used, set the bit in timer output enable register 0 (TOE0) which corresponds to the unused output to 0 (output disabled) and set the bit in timer output register 0 (TO0) to 0 (low). These are the same settings as the initial state.

(4) SDAAn = 0, SCLAn = 0 (setting when IICA is not used)

When IICA is not used, set the IICEn bit in IICA control register n0 (IICCTLn0) to 0 (operation stopped). This is the same setting as the initial state.

(5) PCLBUZn = 0 (setting when clock/buzzer output is not used)

When the clock/buzzer output is not used, set the PCLOEn bit in clock output select register n (CKSn) to 0 (output disabled). This is the same setting as the initial state.

4.5.3 Register setting examples for used port and alternate functions

Register setting examples for used port and alternate functions are shown in Table 4-6. The registers used to control the port functions should be set as shown in Table 4-6. See the following remark for legends used in Table 4-6.

Remark	–:	Not supported
	x:	don't care
	PIOR0x:	Peripheral I/O redirection register
	POMxx:	Port output mode register
	PMxx:	Port mode register
	Pxx:	Port output latch
	PUxx:	Pull-up resistor option register
	PIMcc:	Port input mode register
	PFSEGxx:	LCD port function register
	ISCLCD:	LCD input switch control register

Table 4-6. Setting Examples of Registers and Output Latches When Using Alternate Function (1/10)

Pin Name	Used Function		PIOR0x	POMxx	PMxx	Pxx	PFSEGxx (ISCVL3, ISCCAP) ^{Note}	Alternate Function Output		64-pin	80-pin	100-pin			
	Function Name	I/O						SAU Output Function	Other than SAU						
P02	P02	Input	–	x	1	x	0	–	–	–	√	√			
		Output	x	0	0	0/1	0	SCL10 = 1	TO07 = 0						
		N-ch open drain output	x	1	0	0/1	0								
	SCL10	Output	PIOR02 = 0	0/1	0	1	0	–	TO07 = 0	–	√	√			
	SCK10	Input	PIOR02 = 0	x	1	x	0	–	–						
		Output	PIOR02 = 0	0/1	0	1	0	–	TO07 = 0						
	TI07	Input	PIOR00 = 0	x	1	x	0	–	–						
	TO07	Output	PIOR00 = 0	0	0	0	0	SCL10 = 1	–						
INTP5	Input	PIOR04 = 0	x	1	x	0	–	–							
SEG32	Output	x	0	0	0	1	–	–	–				√	–	
P03	P03	Input	–	x	1	x	0	–	–				–	–	–
		Output	x	0	0	0/1	0	SDA10 = 1	TO06 = 0						
		N-ch open drain output	x	1	0	0/1	0								
	RxD1	Input	PIOR02 = 0	x	1	x	0	–	–	–	√	√			
	TI06	Input	PIOR00 = 0	x	1	x	0	–	–						
	TO06	Output	PIOR00 = 0	0	0	0	0	SDA10 = 1	–						
	SDA10	I/O	PIOR02 = 0	1	0	1	0	–	TO06 = 0						
	SI10	Input	PIOR02 = 0	x	1	x	0	–	–						
SEG33	Output	x	0	0	0	1	–	–	–				√	–	
P04	P04	Input	–	x	1	x	0	–	–				–	–	–
		Output	x	0	0	0/1	0	TxD1/SO10 = 1	TO05 = 0						
		N-ch open drain output	x	1	0	0/1	0								
	TxD1	Output	PIOR02 = 0	0/1	0	1	0	–	TO05 = 0	–	√	√			
	TI05	Input	PIOR00 = 0	x	1	x	0	–	–						
	TO05	Output	PIOR00 = 0	0	0	0	0	TxD1/SO10 = 1	–						
	INTP4	Input	PIOR04 = 0	x	1	x	0	–	–						
	SO10	Output	PIOR02 = 0	0/1	0	1	0	–	TO05 = 0						
SEG34	Output	x	0	0	0	1	–	–	–				√	–	
P05	P05	Input	–	x	1	x	0	–	–				–	–	–
		Output	x	0	0	0/1	0	SCK00/SCL00 = 1	TO04 = 0						
		N-ch open drain output	x	1	0	0/1	0								
	SCK00	Input	PIOR01 = 0	x	1	x	0	–	–	√	√	√			
		Output	0/1	0	1	0	0	–	TO04 = 0						
	SCL00	Output	PIOR01 = 0	0/1	0	1	0	–	TO04 = 0						
	TI04	Input	PIOR00 = 0	x	1	x	0	–	–						
	TO04	Output	PIOR00 = 0	0	0	0	0	SCK00/SCL00 = 1	–						
INTP3	Input	PIOR04 = 0	x	1	x	0	–	–							
SEG35	Output	x	0	0	0	1	–	–	–				√	–	
P06	P06	Input	–	x	1	x	0	–	–				–	–	–
		Output	x	0	0	0/1	0	SDA00 = 1	TO03 = 0						
		N-ch open drain output	x	1	0	0/1	0								
	SI00	Input	PIOR01 = 0	x	1	x	0	–	–	√	√	√			
	RxD0	Input	PIOR01 = 0	x	1	x	0	–	–						
	TI03	Input	PIOR00 = 0	x	1	x	0	–	–						
	TO03	Output	PIOR00 = 0	0	0	0	0	SDA00 = 1	–						
	SDA00	I/O	PIOR01 = 0	1	0	1	0	–	TO03 = 0						
	TOOLRxD	Input	x	x	1	x	0	–	–						
	SEG36	Output	x	0	0	0	1	–	–				–	√	–
INTP4	Input	PIOR04 = 0	x	1	x	0	–	–	√				–	–	

Note ISCVL3 and ISCCAP are registers that correspond to P125, and P126 and P127, respectively.

Table 4-6. Setting Examples of Registers and Output Latches When Using Alternate Function (2/10)

Pin Name	Used Function		PIOR0x	POMxx	PMxx	Pxx	PFSEGxx (ISCVL3, ISCCAP) ^{Note}	Alternate Function Output		64-pin	80-pin	100-pin			
	Function Name	I/O						SAU Output Function	Other than SAU						
P07	P07	Input	–	x	1	x	0	–	–	√	√	√			
		Output	x	0	0	0/1	0	SO00/TxD0 = 1	TO02 = 0						
		N-ch open drain output	x	1	0	0/1	0								
	SO00	Output	PIOR01 = 0	0/1	0	1	0	–	TO02 = 0						
	TxD0	Output	PIOR01 = 0	0/1	0	1	0	–	TO02 = 0						
	TI02	Input	PIOR00 = 0	x	1	x	0	–	–						
	TO02	Output	PIOR00 = 0	0	0	0	0	SO00/TxD0 = 1	–						
	INTP2	Input	PIOR04 = 0	x	1	x	0	–	–						
	TOOLTxD	Output	x	0/1	0	1	0	–	–						
SEG37	Output	x	0	0	0	1	–	–	–	√	–				
P10	P10	Input	–	–	1	x	0	–	–	√	√	√			
		Output	–	–	0	0/1	0	–	–						
	SEG4	Output	–	–	0	0	1	–	–						
P11	P11	Input	–	–	1	x	0	–	–	√	√	√			
		Output	–	–	0	0/1	0	–	–						
	SEG5	Output	–	–	0	0	1	–	–						
P12	P12	Input	–	–	1	x	0	SCK10/SCL10 = 1	–	√	√	√			
		Output	x	–	0	0/1	0	SCK10/SCL10 = 1	–						
		N-ch open drain output	x	1	0	0/1	0								
	SEG6	Output	x	–	0	0	1	–	–				√	√	√
	SCK10	Input	PIOR02 = 0	x	1	x	0	–	–				√	–	–
		Output	PIOR02 = 0	0/1	0	1	0	–	–						
SCL10	Output	PIOR02 = 0	0/1	0	1	0	–	–	√	–	–				
P13	P13	Input	–	–	1	x	0	–	–	√	√	√			
		Output	x	–	0	0/1	0	SDA10 = 1	–						
		N-ch open drain output	x	1	0	0/1	0								
	SEG7	Output	x	–	0	0	1	–	–				√	√	√
	INTP6	Input	PIOR04 = 0	–	1	x	0	–	–				√	–	–
	SI10	Input	PIOR02 = 0	x	1	x	0	–	–						
	RXD1	Input	PIOR02 = 0	x	1	x	0	–	–						
	SDA10	I/O	PIOR02 = 0	1	0	1	0	–	–						
P14	P14	Input	–	–	1	x	0	–	–	√	√	√			
		Output	x	–	0	0/1	0	SO10/TxD1 = 1	–						
		N-ch open drain output	x	1	0	0/1	0								
	SEG8	Output	x	–	0	0	1	–	–				√	√	√
	SO10	Output	PIOR02 = 0	0/1	0	1	0	–	–				√	–	–
	TxD1	Output	PIOR02 = 0	0/1	0	1	0	–	–						
P15	P15	Input	–	x	1	x	0	–	–	√	√	√			
		Output	x	0	0	0/1	0	(SCK00/SCL00) = 1	–						
		N-ch open drain output	x	1	0	0/1	0								
	SEG9	Output	x	0	0	0	1	–	–						
	(SCK00)	Input	PIOR01 = 1	x	1	x	0	–	–						
		Output	PIOR01 = 1	0/1	0	1	0	–	–						
	(SCL00)	Output	PIOR01 = 1	0/1	0	1	0	–	–						

Table 4-6. Setting Examples of Registers and Output Latches When Using Alternate Function (3/10)

Pin Name	Used Function		PIOR0x	POMxx	PMxx	Pxx	PFSEGxx (ISCVL3, ISCCAP) ^{Note}	Alternate Function Output		64-pin	80-pin	100-pin
	Function Name	I/O						SAU Output Function	Other than SAU			
P16	P16	Input	–	x	1	x	0	–	–	√	√	√
		Output	x	0	0	0/1	0	(SDA00) = 1	–			
		N-ch open drain output	x	1	0	0/1	0					
	SEG10	Output	x	0	0	0	1	–	–			
	(SI00)	Input	PIOR01 = 1	x	1	x	0	–	–			
	(RxD0)	Input	PIOR01 = 1	x	1	x	0	–	–			
	(SDA00)	I/O	PIOR01 = 1	1	0	0	0	–	–			
INTP7	Input	PIOR04 = 0	–	1	x	0	–	–	√	–	–	
P17	P17	Input	–	x	1	x	0	–	–	√	√	√
		Output	x	0	0	0/1	0	(SO00/TxD0) = 1	–			
		N-ch open drain output	x	1	0	0/1	0					
	SEG11	Output	x	0	0	0	1	–	–			
	(SO00)	Output	PIOR01 = 1	0/1	0	1	0	–	–			
	(TxD0)	Output	PIOR01 = 1	0/1	0	1	0	–	–			

Note ISCVL3 and ISCCAP are registers that correspond to P125, and P126 and P127, respectively.

Table 4-6. Setting Examples of Registers and Output Latches When Using Alternate Function (4/10)

Pin Name	Used Function		ADPC	ADM2	PMxx	Pxx	64-pin	80-pin	100-pin
	Function Name	I/O							
P20	P20	Input	01H	x	1	x	√	√	√
		Output	01H	x	0	0/1			
	ANI0	Analog input	00H/02H to 06H	00x0xx0xB 10x0xx0xB	1	x			
	AV _{REFP}	Reference voltage input	00H/02H to 06H	01x0xx0xB	1	x			
P21	P21	Input	01H/02H	x	1	x	√	√	√
		Output	01H/02H	x	0	0/1			
	ANI1	Analog input	00H/03H to 06H	xx00xx0xB	1	x			
	AV _{REFM}	Reference voltage input	00H/03H to 06H	xx10xx0xB	1	x			
P22	P22	Input	01H to 03H	x	1	x	√	√	√
		Output	01H to 03H	x	0	0/1			
	ANI2	Analog input	00H/04H to 06H	x	1	x			
	EXLVD	Analog input	00H/04H to 06H	x	1	x			
P23	P23	Input	01H to 04H	x	1	x	√	√	√
		Output	01H to 04H	x	0	0/1			
	ANI3	Analog input	00H/05H/06H	x	1	x			
P24	P24	Input	01H to 05H	x	1	x	–	–	√
		Output	01H to 05H	x	0	0/1			
	ANI4	Analog input	00H/06H	x	1	x			
P25	P25	Input	01H to 06H	x	1	x	–	–	√
		Output	01H to 06H	x	0	0/1			
	ANI5	Analog input	00H	x	1	x			

Table 4-6. Setting Examples of Registers and Output Latches When Using Alternate Function (5/10)

Pin Name	Used Function		PIOR0x	POMxx	PMxx	Pxx	PFSEGxx (ISCVL3, ISCCAP) ^{Note}	Alternate Function Output		64-pin	80-pin	100-pin
	Function Name	I/O						SAU Output Function	Other than SAU			
P30	P30	Input	–	–	1	x	0	–	–	√	√	√
		Output	x	–	0	0/1	0	–	(TO07) = 0			
	SEG24	Output	x	–	0	0	1	–	–			
	(TI07)	Input	PIOR00 = 1	–	1	x	0	–	–	–	√	√
	TI07	Input	PIOR00 = 0	–	1	x	0	–	–	√	–	–
	(TO07)	Output	PIOR00 = 1	–	0	0	0	–	–	–	√	√
	TO07	Output	PIOR00 = 0	–	0	0	0	–	–	√	–	–
	RxD2	Input	x	–	1	x	0	–	–			
	IrRxD	Input	x	–	1	x	0	–	–	√	–	–
INTP5	Input	PIOR04 = 0	–	1	x	0	–	–				
P31	P31	Input	–	–	1	x	0	–	–	√	√	√
		Output	x	–	0	0/1	0	–	(TO06) = 0			
		N-ch open drain output	x	1	0	0/1	0	TxD2/IrTxD = 1	–			
	SEG25	Output	x	–	0	0	1	–	–	√	√	√
	(TI06)	Input	PIOR00 = 1	–	1	x	0	–	–	–	√	√
	TI06	Input	PIOR00 = 0	–	1	x	0	–	–	√	–	–
	(TO06)	Output	PIOR00 = 1	–	0	0	0	–	–	–	√	√
	TO06	Output	PIOR00 = 0	–	0	0	0	–	–	√	–	–
TxD2	Output	x	0/1	0	1	0	–	–				
IrTxD	Output	x	0/1	0	1	0	–	–	√	–	–	
P32	P32	Input	–	–	1	x	0	–	–	–	√	√
		Output	x	–	0	0/1	0	–	(PCLBUZ1) = 0			
	SEG26	Output	x	–	0	0	1	–	–			
(PCLBUZ1)	Output	PIOR03 = 1	–	0	0	0	–	–				
P33	P33	Input	–	–	1	x	0	–	–	–	√	√
		Output	x	–	0	0/1	0	–	(PCLBUZ0) = 0			
	SEG27	Output	x	–	0	0	1	–	–			
(PCLBUZ0)	Output	PIOR03 = 1	–	0	0	0	–	–				
P34	P34	Input	–	–	1	x	0	–	–	–	–	√
		Output	–	–	0	0/1	0	–	–			
SEG28	Output	–	–	0	0	1	–	–				
P35	P35	Input	–	–	1	x	0	–	–	–	–	√
		Output	–	–	0	0/1	0	–	–			
SEG29	Output	–	–	0	0	1	–	–				
P36	P36	Input	–	–	1	x	0	–	–	–	–	√
		Output	–	–	0	0/1	0	–	–			
SEG30	Output	–	–	0	0	1	–	–				
P37	P37	Input	–	–	1	x	0	–	–	–	–	√
		Output	–	–	0	0/1	0	–	–			
SEG31	Output	–	–	0	0	1	–	–				
P40	P40	Input	–	–	1	x	–	–	–	√	√	√
		Output	–	–	0	0/1	–	–	–			
TOOL0	I/O	–	–	x	x	–	–	–				
P41	P41	Input	–	–	1	x	–	–	–	–	√	√
		Output	x	–	0	0/1	–	–	TO01 = 0 PCLBUZ1 = 0			
	TI01	Input	PIOR00 = 0	–	1	x	–	–	–	√	√	√
	TO01	Output	PIOR00 = 0	–	0	0	–	–	PCLBUZ1 = 0			
	PCLBUZ1	Output	PIOR03 = 0	–	0	0	–	–	TO01 = 0	–	√	√
INTP6	Input	PIOR04 = 0	–	1	x	–	–	–				

Note ISCVL3 and ISCCAP are registers that correspond to P125, and P126 and P127, respectively.

Table 4-6. Setting Examples of Registers and Output Latches When Using Alternate Function (6/10)

Pin Name	Used Function		PIOR0x	POMxx	PMxx	Pxx	PFSEGxx (ISCVL3, ISCCAP) ^{Note}	Alternate Function Output		64-pin	80-pin	100-pin
	Function Name	I/O						SAU Output Function	Other than SAU			
P42	P42	Input	–	–	1	x	–	–	–	–	√	√
		Output	x	–	0	0/1	–	–	–			
	INTP7	Input	PIOR04 = 0	–	1	x	–	–	–	–	–	√
P43	P43	Input	–	–	1	x	–	–	–	√	√	√
		Output	x	–	0	0/1	–	–	TO00 = 0 PCLBUZ0 = 0			
	TI00	Input	PIOR00 = 0	–	1	x	–	–	–	√	–	√
	TO00	Output	PIOR00 = 0	–	0	0	–	–	PCLBUZ0 = 0	–	–	–
	PCLBUZ0	Output	PIOR03 = 0	–	0	0	–	–	TO00 = 0	√	–	√
	RTCOUT	Output	PIOR03 = 0	–	0	0	–	–	–	√	–	–
P50	P50	Input	–	–	1	x	0	–	–	–	–	√
		Output	–	–	0	0/1	0	–	–			
	SEG32	Output	–	–	0	0	1	–	–	–	–	–
P51	P51	Input	–	–	1	x	0	–	–	–	–	√
		Output	–	–	0	0/1	0	–	–			
	SEG33	Output	–	–	0	0	1	–	–	–	–	–
P52	P52	Input	–	–	1	x	0	–	–	–	–	√
		Output	–	–	0	0/1	0	–	–			
	SEG34	Output	–	–	0	0	1	–	–	–	–	–
P53	P53	Input	–	–	1	x	0	–	–	–	–	√
		Output	–	–	0	0/1	0	–	–			
	SEG35	Output	–	–	0	0	1	–	–	–	–	–
P54	P54	Input	–	–	1	x	0	–	–	–	–	√
		Output	–	–	0	0/1	0	–	–			
	SEG36	Output	–	–	0	0	1	–	–	–	–	–
P55	P55	Input	–	–	1	x	0	–	–	–	√	√
		Output	–	–	0	0/1	0	–	–			
	RxD2	Input	–	–	1	x	0	–	–	–	√	√
	IrRxD	Input	–	–	1	x	0	–	–	–	√	√
	SEG37	Output	–	–	0	0	1	–	–	–	–	√
P56	P56	Input	–	–	1	x	0	–	–	–	√	√
		Output	–	–	0	0/1	0	–	–			
		N-ch open drain output	–	1	0	0/1	0	TxD2/IrTxD = 1	–			
	TxD2	Output	–	0/1	0	1	0	–	–	–	√	√
	IrTxD	Output	–	0/1	0	1	0	–	–	–	√	√
SEG38	Output	–	–	0	0	1	–	–	–	–	√	
P57	P57	Input	–	–	1	x	0	–	–	–	–	√
		Output	–	–	0	0/1	0	–	–			
		N-ch open drain output	–	1	0	0/1	0	SCK30/SCL30 = 1	–			
	SCK30	Input	–	x	1	x	0	–	–	–	–	√
		Output	–	0/1	0	1	0	–	–			
	SCL30	Output	–	0/1	0	1	0	–	–	–	–	–
SEG39	Output	–	–	0	0	1	–	–	–	–	–	
P60	P60	Input	–	–	1	x	–	–	–	√	√	√
		N-ch open drain output (6 V tolerance)	x	–	0	0/1	–	–	SCLA0 = 0 (TO00) = 0			
	SCLA0	I/O	x	–	0	0	–	–	(TO00) = 0	–	–	–
	(TI00)	Input	PIOR00 = 1	–	1	x	–	–	–	–	–	–
(TO00)	Output	PIOR00 = 1	–	0	0	–	–	–	SCLA0 = 0	–	–	–

Note ISCVL3 and ISCCAP are registers that correspond to P125, and P126 and P127, respectively.

Table 4-6. Setting Examples of Registers and Output Latches When Using Alternate Function (7/10)

Pin Name	Used Function		PIOR0x	POMxx	PMxx	Pxx	PFSEGxx (ISCVL3, ISCCAP) ^{Note}	Alternate Function Output		64-pin	80-pin	100-pin
	Function Name	I/O						SAU Output Function	Other than SAU			
P61	P61	Input	–	–	1	x	–	–	–	√	√	√
		N-ch open drain output (6 V tolerance)	x	–	0	0/1	–	–	SDAA0 = 0 (TO01) = 0			
	SDAA0	I/O	x	–	0	0	–	–	(TO01) = 0			
	(TI01)	Input	PIOR00 = 1	–	1	x	–	–	–			
	(TO01)	Output	PIOR00 = 1	–	0	0	–	–	SDAA0 = 0			
P62	P62	Input	–	–	1	x	–	–	–	√	√	√
		N-ch open drain output (6 V tolerance)	x	–	0	0/1	–	–	(TO02) = 0 (RTCOU2) = 0			
	(TI02)	Input	PIOR00 = 1	–	1	x	–	–	–			
	(TO02)	Output	PIOR00 = 1	–	0	0	–	–	(RTCOU2) = 0			
	(RTCOU2)	Output	PIOR03 = 1	–	0	0	–	–	(TO02) = 0			
P70	P70	Input	–	–	1	x	0	–	–	√	√	√
		Output	x	–	0	0/1	0	–	–			
	SEG16	Output	x	–	0	0	1	–	–			
	KR0	Input	x	–	1	x	0	–	–			
	(INTP0)	Input	PIOR04 = 1	–	1	x	0	–	–			
P71	P71	Input	–	–	1	x	0	–	–	√	√	√
		Output	x	–	0	0/1	0	–	–			
	SEG17	Output	x	–	0	0	1	–	–			
	KR1	Input	x	–	1	x	0	–	–			
	(INTP1)	Input	PIOR04 = 1	–	1	x	0	–	–			
P72	P72	Input	–	–	1	x	0	–	–	√	√	√
		Output	x	–	0	0/1	0	–	–			
	KR2	Input	x	–	1	x	0	–	–			
	SEG18	Output	x	–	0	0	1	–	–			
	(INTP2)	Input	PIOR04 = 1	–	1	x	0	–	–			
	(TI01)	Input	PIOR00 = 1	–	1	x	0	–	–			
	(TO01)	Output	PIOR00 = 1	–	0	0	0	–	–			
P73	P73	Input	–	–	1	x	0	–	–	√	√	√
		Output	x	–	0	0/1	0	–	–			
	KR3	Input	x	–	1	x	0	–	–			
	SEG19	Output	x	–	0	0	1	–	–			
	(INTP3)	Input	PIOR04 = 1	–	1	x	0	–	–			
	(PCLBUZ1)	Output	PIOR03 = 1	–	1	0	0	–	–			
P74	P74	Input	–	–	1	x	0	–	–	√	√	√
		Output	x	–	0	0/1	0	–	(PCLBUZ0) = 0			
	KR4	Input	x	–	1	x	0	–	–			
	SEG20	Output	x	–	0	0	1	–	–			
	(INTP4)	Input	PIOR04 = 1	–	1	x	0	–	–			
	(PCLBUZ0)	Output	PIOR03 = 1	–	0	0	0	–	–			
P75	P75	Input	–	–	1	x	0	–	–	–	√	√
		Output	x	–	0	0/1	0	–	–			
	KR5	Input	x	–	1	x	0	–	–			
	SEG21	Output	x	–	0	0	1	–	–			
	(INTP5)	Input	PIOR04 = 1	–	1	x	0	–	–			

Note ISCVL3 and ISCCAP are registers that correspond to P125, and P126 and P127, respectively.

Table 4-6. Setting Examples of Registers and Output Latches When Using Alternate Function (8/10)

Pin Name	Used Function		PIOR0x	POMxx	PMxx	Pxx	PFSEGxx (ISCVL3, ISCCAP) ^{Note}	Alternate Function Output		64-pin	80-pin	100-pin
	Function Name	I/O						SAU Output Function	Other than SAU			
P76	P76	Input	–	–	1	x	0	–	–	–	√	√
		Output	x	–	0	0/1	0	–	–			
	KR6	Input	x	–	1	x	0	–	–			
	SEG22	Output	x	–	0	0	1	–	–			
	(INTP6)	Input	PIOR04 = 1	–	1	x	0	–	–			
P77	P77	Input	–	–	1	x	0	–	–	–	√	√
		Output	x	–	0	0/1	0	–	–			
	KR7	Input	x	–	1	x	0	–	–			
	SEG23	Output	x	–	0	0	1	–	–			
	(INTP7)	Input	PIOR04 = 1	–	1	x	0	–	–			
P80	P80	Input	–	x	1	x	0	–	–	–	√	√
		Output	x	0	0	0/1	0	(SCK10/SCL10) = 1	–			
		N-ch open drain output	x	1	0	0/1	0		–			
	SEG12	Output	x	x	0	0	1		–			
	(SCL10)	Output	PIOR02 = 1	0/1	0	1	0	–	–			
	(SCK10)	Input	PIOR02 = 1	x	1	x	0	–	–			
	Output	PIOR02 = 1	0/1	0	1	0	–	–				
P81	P81	Input	–	x	1	x	0	–	–	–	√	√
		Output	x	0	0	0/1	0	(SDA10) = 1	–			
		N-ch open drain output	x	1	0	0/1	0		–			
	SEG13	Output	x	x	0	0	1		–			
	(RxD1)	Input	PIOR02 = 1	x	1	x	0	–	–			
	(SDA10)	I/O	PIOR02 = 1	1	0	1	0	–	–			
	(SI10)	Input	PIOR02 = 1	x	1	x	0	–	–			
P82	P82	Input	–	x	1	x	0	–	–	–	√	√
		Output	x	0	0	0/1	0	(TxD1/SO10) = 1	–			
		N-ch open drain output	x	1	0	0/1	0		–			
	SEG14	Output	x	x	0	0	1		–			
	(TxD1)	Output	PIOR02 = 1	0/1	0	1	0	–	–			
	(SO10)	Output	PIOR02 = 1	0/1	0	1	0	–	–			
P83	P83	Input	–	–	1	x	0	–	–	–	√	√
		Output	–	–	0	0/1	0	–	–			
	SEG15	Output	–	–	0	0	1	–	–			
P84	P84	Input	–	–	1	x	0	–	–	–	–	√
		Output	–	–	0	0/1	0	SDA30 = 1	–			
		N-ch open drain output	–	1	0	0/1	0		–			
	SEG40	Output	–	–	0	0	1		–			
	SI30	Input	–	x	1	x	0	–	–			
	RxD3	Input	–	x	1	x	0	–	–			
	SDA30	I/O	–	1	0	1	0	–	–			
P85	P85	Input	–	–	1	x	0	–	–	–	–	√
		Output	–	–	0	0/1	0	SO30/TxD3 = 1	–			
		N-ch open drain output	–	1	0	0/1	0		–			
	SEG41	Output	–	–	0	0	1		–			
	SO30	Output	–	0/1	0	1	0	–	–			
		TxD3	Output	–	0/1	0	1	0	–			

Note ISCVL3 and ISCCAP are registers that correspond to P125, and P126 and P127, respectively.

Table 4-6. Setting Examples of Registers and Output Latches When Using Alternate Function (9/10)

Pin Name	Used Function		CMC Register (EXCLK, OSCSEL)	SCMC Register (EXCLKS, OSCSELS)	Pxx	64-pin	80-pin	100-pin
	Function Name	I/O						
P121	P121	Input	00/10/11	-	x	√	√	√
	X1	-	01		-			
P122	P122	Input	00/10		x	√	√	√
	X2	-	01		-			
	EXCLK	Input	11		-			
P123	P123	Input	-		00/10/11	x	√	√
	XT1	-		01	-			
P124	P124	Input		00/10	x	√	√	√
	XT2	-		01	-			
	EXCLKS	Input		11	-			

Table 4-6. Setting Examples of Registers and Output Latches When Using Alternate Function (10/10)

Pin Name	Used Function		PIOR0x	POMxx	PMxx	Pxx	PFSEGxx (ISCVL3, ISCCAP) ^{Note}	Alternate Function Output		64-pin	80-pin	100-pin
	Function Name	I/O						SAU Output Function	Other than SAU			
P125	P125	Input	-	-	1	x	1	-	-	√	√	√
		Output	x	-	0	0/1	1	-	(TO05) = 0 PCLBUZ1 = 0			
	V _{L3}	-	x	-	1	x	0	-	-			
	INTP1	Input	PIOR04 = 0	-	1	x	1	-	-			
	(TI05)	Input	PIOR00 = 1	-	1	x	1	-	-			
	TI05	Input	PIOR00 = 0	-	1	x	1	-	-			
	(TO05)	Output	PIOR00 = 1	-	0	0	1	-	PCLBUZ1 = 0			
	TO05	Output	PIOR00 = 0	-	0	0	1	-	PCLBUZ1 = 0			
PCLBUZ1	Output	PIOR03 = 0	-	0	0	1	-	TO05 = 0				
P126	P126	Input	-	-	1	x	1	-	-			
		Output	x	-	0	0/1	1	-	(TO04) = 0			
	CAPL	-	x	-	1	x	0	-	-			
	(TI04)	Input	PIOR00 = 1	-	1	x	1	-	-			
(TO04)	Output	PIOR00 = 1	-	0	0	1	-	-				
P127	P127	Input	-	-	1	x	1	-	-			
		Output	x	-	0	0/1	1	-	(TO03) = 0			
	CAPH	-	x	-	1	x	0	-	-			
	(TI03)	Input	PIOR00 = 1	-	1	x	1	-	-			
(TO03)	Output	PIOR00 = 1	-	0	0	1	-	-				
P137	P137	Input	-	-	-	x	-	-	-			
	INTP0	Input	PIOR04 = 0	-	-	x	-	-	-			
P150	P150	Input	-	x	1	x	-	-	-			
		Output	x	-	0	0/1	-	-	-			
	RTCOUT	Output	PIOR03 = 0	-	0	0	-	-	-			
RTCIC0	Input	x	-	1	x	-	-	-				
P151	P151	Input	-	x	1	x	-	-	-			
		Output	-	-	0	0/1	-	-	-			
RTCIC1	Input	-	-	1	x	-	-	-				
P152	P152	Input	-	-	1	x	-	-	-			
		Output	-	-	0	0/1	-	-	-			
RTCIC2	Input	-	-	1	x	-	-	-				

Note ISCVL3 and ISCCAP are registers that correspond to P125, and P126 and P127, respectively.

4.5.4 Operation of ports that alternately function as SEGxx pins

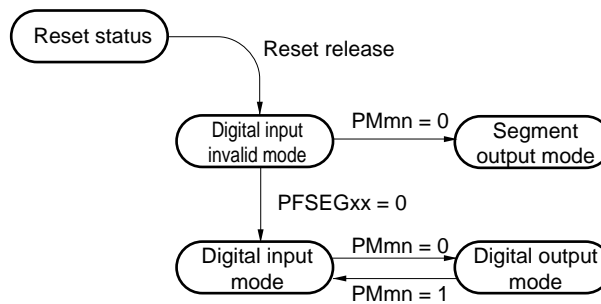
The functions of ports that also serve as segment output pins (SEGxx) can be selected by using the port mode register (PMxx), and LCD port function registers 0 to 5 (PFSEG0 to PFSEG5).

Table 4-7. Settings of SEGxx/Port Pin Function

PFSEGxx Bit of PFSEG0 to PFSEG5 Registers	PMxx Bit of PMxx Register	Pin Function	Initial Status
1	1	Digital input invalid mode	√
0	0	Digital output mode	–
0	1	Digital input mode	–
1	0	Segment output mode	–

The following shows the SEGxx/port pin function status transitions.

Figure 4-12. SEGxx/Port Pin Function Status Transition Diagram



Caution Be sure to set the segment output mode before segment output starts (while SCOC of LCD mode register 1 (LCDM1) is 0).

4.5.5 Operation of ports that alternately function as VL3, CAPL, CAPH pins

The functions of the VL3/P125, CAPL/P126, CAPH/P127 pins can be selected by using the LCD input switch control register (ISCLCD), LCD mode register 0 (LCDM0), and port mode register 12 (PM12).

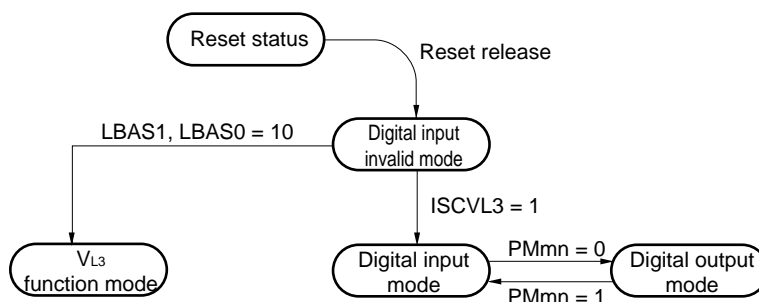
(1) VL3/P125

Table 4-8. Settings of VL3/P125 Pin Function

Bias Setting (LBAS1 and LBAS0 Bits of LCDM0 Register)	ISCVL3 Bit of ISCLCD Register	PM125 Bit of PM12 Register	Pin Function	Initial Status
other than 1/4 bias method (LBAS1, LBAS0 = 00 or 01)	0	1	Digital input invalid mode	√
	1	0	Digital output mode	–
	1	1	Digital input mode	–
1/4 bias method (LBAS1, LBAS0 = 10)	0	1	VL3 function mode	–
Other than above			Setting prohibited	

The following shows the VL3/P125 pin function status transitions.

Figure 4-13. VL3/P125 Pin Function Status Transition Diagram



Caution Be sure to set the VL3 function mode before segment output starts (while SCOC of LCD mode register 1 (LCDM1) is 0).

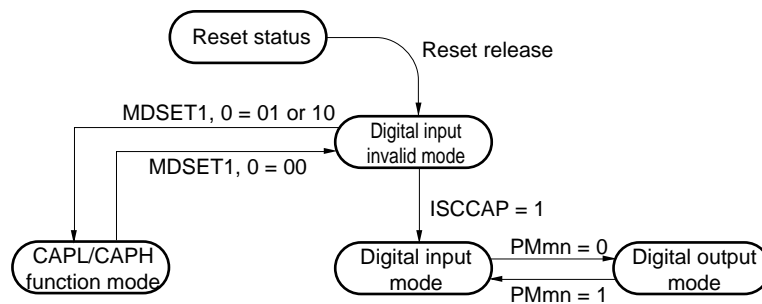
(2) CAPL/P126, CAPH/P127

Table 4-9. Settings of CAPL/P126, CAPH/P127 Pins Function

LCD Drive Voltage Generator (MDSET1 and MDSET0 Bits of LCDM0 Register)	ISCCAP Bit of ISCLCD Register	PM126, PM127 Bits of PM12 Register	Pin Function	Initial Status
External resistance division (MDSET1, MDSET0 = 00)	0	1	Digital input invalid mode	√
	1	0	Digital output mode	–
	1	1	Digital input mode	–
Internal voltage boosting or capacitor split (MDSET1, MDSET0 = 01 or 10)	0	1	CAPL/CAPH function mode	–
Other than above			Setting prohibited	

The following shows the CAPL/P126 and CAPH/P127 pins function status transitions.

Figure 4-14. CAPL/P126 and CAPH/P127 Pins Function Status Transition Diagram



Caution Be sure to set the CAPL/CAPH function mode before segment output starts (while SCOC of LCD mode register 1 (LCDM1) is 0).

4.6 Cautions When Using Port Function

4.6.1 Cautions on 1-bit manipulation instruction for port register n (Pn)

When a 1-bit manipulation instruction is executed on a port that provides both input and output functions, the output latch value of an input port that is not subject to manipulation may be written in addition to the targeted bit.

Therefore, it is recommended to rewrite the output latch when switching a port from input mode to output mode.

<Example> When P10 is an output port, P11 to P17 are input ports (all pin statuses are high level), and the port latch value of port 1 is 00H, if the output of output port P10 is changed from low level to high level via a 1-bit manipulation instruction, the output latch value of port 1 is FFH.

Explanation: The targets of writing to and reading from the Pn register of a port whose PMnm bit is 1 are the output latch and pin status, respectively.

A 1-bit manipulation instruction is executed in the following order in the RL78/I1C.

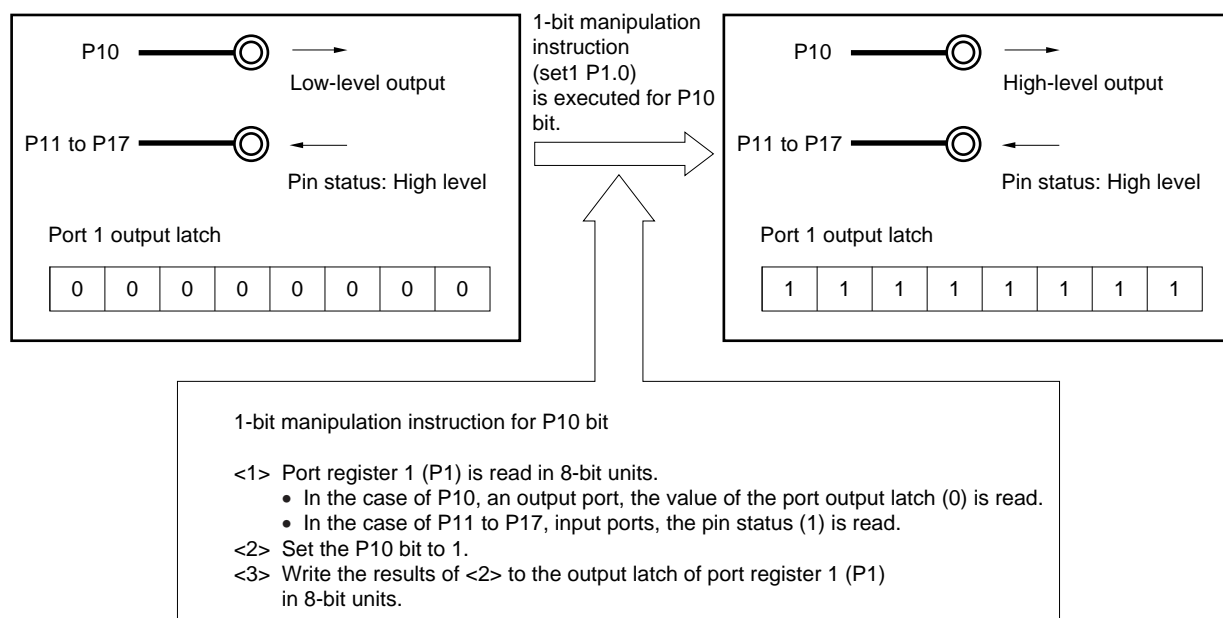
- <1> The Pn register is read in 8-bit units.
- <2> The targeted one bit is manipulated.
- <3> The Pn register is written in 8-bit units.

In step <1>, the output latch value (0) of P10, which is an output port, is read, while the pin statuses of P11 to P17, which are input ports, are read. If the pin statuses of P11 to P17 are high level at this time, the read value is FEH.

The value is changed to FFH by the manipulation in <2>.

FFH is written to the output latch by the manipulation in <3>.

Figure 4-15. Bit Manipulation Instruction (P10)



4.6.2 Notes on specifying the pin settings

If the output function of an alternate function is assigned to a pin that is also used as an output pin, the output of the unused alternate function must be set to its initial state so as to prevent conflicting outputs. This also applies to the functions assigned by using the peripheral I/O redirection register (PIOR0). For details about the alternate output function, see **4.5 Register Settings When Using Alternate Function**.

No specific setting is required for input pins because the output function of their alternate functions is disabled (the buffer output is Hi-Z).

Disabling the unused functions, including blocks that are only used for input or do not have output, is recommended to lower power consumption.

CHAPTER 5 OPERATION STATE CONTROL

The operating voltage, operating timing, and operating current of the internal circuit are optimized using flash operation modes. Select an appropriate flash operation mode according to the supply voltage range and clock frequencies used to operate the MCU.

The flash operation mode set by the option byte is selected for operation immediately after a reset release. Then, each mode is selected according to register settings.

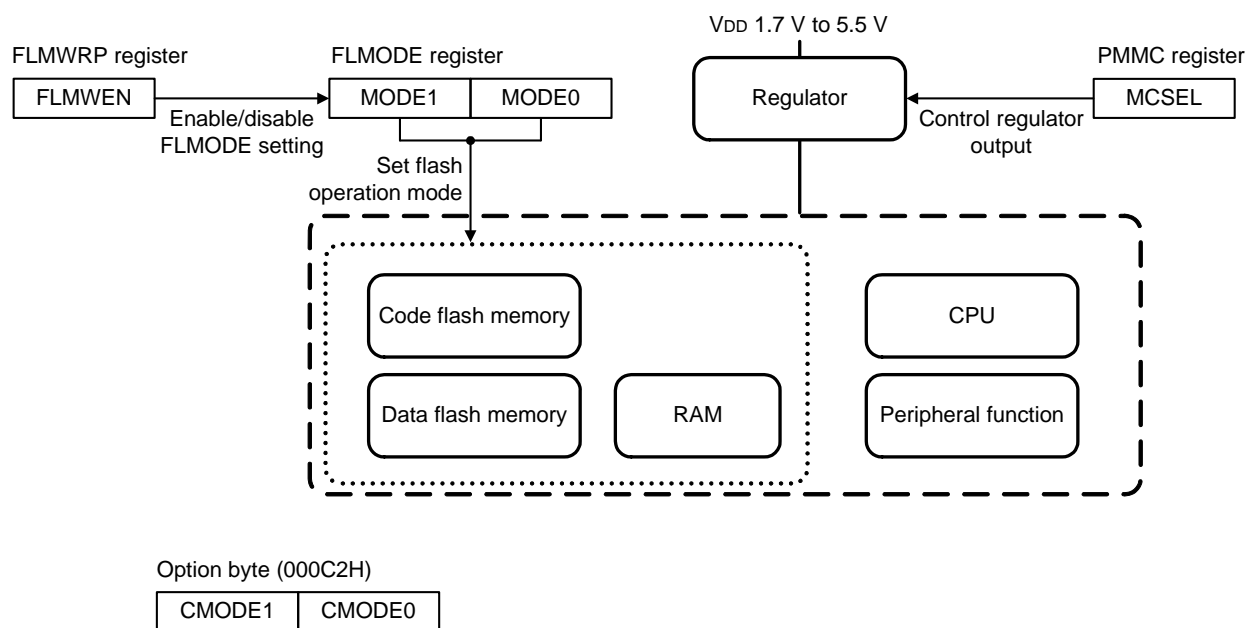
5.1 Configuration of Operation State Control

Operation state control is supported by the following hardware.

Table 5 - 1 Configuration of Operation State Control

Item	Configuration
Option byte	<ul style="list-style-type: none"> User option byte address: 000C2H
Control registers	<ul style="list-style-type: none"> Flash operating mode select register (FLMODE) Flash operating mode protect register (FLMWRP) Regulator mode control register (PMMC)

Figure 5 - 1 Block Diagram of Operation State Control



There are the following four flash operation modes.

- HS (high-speed main) mode
- LS (low-speed main) mode
- LV (low-voltage main) mode
- LP (low-power main) mode

The MCU can be operated efficiently by setting these flash operation modes according to MCU operating conditions. Table 5 - 2 lists the Features of Each Flash Operation Mode.

Table 5 - 2 Features of Each Flash Operation Mode

Flash Operation Mode	Regulator Mode	Recommended Operating Range		Operating Current (typ.)	Description
HS (high-speed main) mode	Normal setting only (MCSEL = 0)	2.8 V to 5.5 V	1 MHz to 32 MHz Note 3	3.9 mA (during operation at 24 MHz Note 1)	High-speed CPU operation (at 32 MHz ^{Note 3} (max.)) is possible in this mode. Suitable when CPU processing capacity is required.
		2.7 V to 5.5 V	1 MHz to 24 MHz		
		2.5 V to 5.5 V	1 MHz to 16 MHz		
		2.4 V to 5.5 V	1 MHz to 12 MHz		
		2.1 V to 5.5 V	1 MHz to 6 MHz		
LS (low-speed main) mode	Normal setting (MCSEL = 0)	1.9 V to 5.5 V	1 MHz to 8 MHz	1.3 mA (during operation at 8 MHz Note 1)	The operating current and CPU operation processing (at 8 MHz (max.)) are well-balanced in this mode. To operate the CPU at 4 to 8 MHz, set regulator mode to the normal setting. When operating the CPU at 1 to 4 MHz, the operating current can be reduced by setting regulator mode to the low-power consumption setting.
	Low-power consumption setting (MCSEL = 1)	1.9 V to 5.5 V	1 MHz to 4 MHz	0.7 mA (during operation at 4 MHz Note 2)	
LP (low-power main) mode	Low-power consumption setting only (MCSEL = 1)	1.9 V to 5.5 V	1 MHz	160 μ A (during operation at 1 MHz Note 2)	The CPU operates at 1 MHz in this mode. Low operating current is realized at 1 MHz.
LV (low-voltage main) mode ^{Note 1}	Normal setting only (MCSEL = 0)	1.7 V to 5.5 V	1 MHz to 4 MHz	1.3 mA (during operation at 4 MHz)	Low-voltage operation up to 1.7 V is possible in this mode. To operate the CPU at the supply voltage range of 1.7 to 1.9 V, select this mode.

Note 1. Operable only with the high-speed on-chip oscillator.

Note 2. When the middle-speed on-chip oscillator operates.

Note 3. This operation is only possible in the R5F10NPJ, R5F10NMJ, or R5F10NPG products when the PLL clock (32 MHz) is selected.

The maximum operating frequency of the R5F10NMG, R5F10NME, R5F10NLG, and R5F10NLE products is 24 MHz.

5.2 Registers Controlling Operation State Control

Operation state control is controlled by the following registers.

- Flash operating mode select register (FLMODE)
- Flash operating mode protect register (FLMWRP)
- Regulator mode control register (PMMC)

5.2.1 Flash operating mode select register (FLMODE)

The FLMODE register is an 8-bit register used to control flash operation modes and operation of the code flash memory.

This register can be set by a 1-bit or 8-bit memory manipulation instruction. Note that the value of this register cannot be changed when FLMWEN in the flash operation mode protect register (FLWRP) is 0.

Reset generation updates MODE1 and MODE0 with the set value of CMODE1 and CMODE0 in the option byte (address: 000C2H).

Figure 5 - 2 Format of Flash operating mode select register (FLMODE)

Address: F00AAH After reset: 00H/80H/C0H ^{Note 1} R/W

Symbol	<7>	<6>	5	4	3	2	1	0
FLMODE	MODE1	MODE0	0	0	0	0	0	0

MODE1	MODE0	Selection of flash operation mode
0	0	LV (low-voltage main) mode (Selectable when $1 \text{ MHz} \leq f_{\text{CLK}} \leq 4 \text{ MHz}$ in LS mode.)
0	1	LP (low-power main) mode (Selectable when $1.9 \text{ V} \leq V_{\text{DD}} \leq 5.5 \text{ V}$ and $f_{\text{CLK}} = 1 \text{ MHz}$ in LS mode. ^{Note 2})
1	0	LS (low-speed main) mode (Selectable when $1.9 \text{ V} \leq V_{\text{DD}} \leq 5.5 \text{ V}$ and $1 \text{ MHz} \leq f_{\text{CLK}} \leq 8 \text{ MHz}$ in HS mode, LP mode, or LV mode.)
1	1	HS (high-speed main) mode (Selectable when $2.4 \text{ V} \leq V_{\text{DD}} \leq 5.5 \text{ V}$ in LS mode.)

Note 1. The initial value of the FLMODE register is set to the value of the MODE1 and MODE0 bits updated with the set value of the CMODE1 and CMODE0 bits in the option byte (address: 000C2H).

Note 2. After LP (low-power main) mode is selected, set the MCSEL bit in the regulator mode control register (PMMC) to 1.

(Cautions are on the next page.)

- Caution 1.** The value of the FLMODE register cannot be changed when the FLMWEN bit in the flash operation mode protect register (FLMWRP) is 0. Also, do not change the value of the FLMODE register when the MCSEL bit in the regulator mode control register is 1.
When changing the value of the FLMODE register, first set the FLMWEN bit in the FLMERP register to 1 while MCSEL is 0. After the value of the FLMODE register is changed, set the FLMWEN bit to 0.
- Caution 2.** The MODE1 and MODE0 bits cannot be set when the CSS bit in the system clock control register (CKC) is 1 (CPU/peripheral function operates on subsystem clock).
- Caution 3.** Do not change the value of the MODE1 and MODE0 bits using the DTC.
- Caution 4.** When changing the flash operation mode, make sure that operation is possible within the voltage range and operating frequency range in the changed flash operation mode before changing the mode.
- Caution 5.** The middle-speed on-chip oscillator cannot be used in LV (low-voltage main) mode. When entering LV mode, first switch the operating clock to an oscillator other than the middle-speed on-chip oscillator, and then enter LV mode.
- Caution 6.** When the flash operation mode is changed by the MODE1 and MODE0 bits, the CPU enters a wait state for the following time until the mode changes. Interrupt requests are held pending during this wait period.

Table 5 - 3 Flash Operation Mode Change Time

Flash Operation Mode Change	Change Time
LS (low-speed main) mode → HS (high-speed main) mode	225 cycles Note 1
LS (low-speed main) mode → LV (low-voltage main) mode	99 cycles Note 1, Note 2
LP (low-power main) mode → LS (low-speed main) mode	10 cycles Note 1
LS (low-speed main) mode → LP (low-power main) mode	10 cycles Note 1
LV (low-voltage main) mode → LS (low-speed main) mode	20 cycles Note 1
HS (high-speed main) mode → LS (low-speed main) mode	30 cycles Note 1

Note 1. The cycle of the CPU/peripheral hardware clock (fCLK)

Note 2. Switching of the mode from LS (low-speed main) mode to LV (low-voltage main) mode must proceed while oscillation of the high-speed on-chip oscillator is stable.

Caution 7. When rewriting the FLMODE register, insert one or more clock cycles after rewriting the FLMODE register and before writing to this register. Do not write to the FLMODE register successively.

Caution 8. Do not change the FLMODE register when rewriting the flash memory.

5.2.2 Flash operating mode protect register (FLMWRP)

The FLMWRP register is an 8-bit register used to control access to the flash operation mode select register.

This register can be set by a 1-bit or 8-bit memory manipulation instruction.

Reset generation sets this register to 00H.

Figure 5 - 3 Format of Flash operating mode protect register (FLMWRP)

Address: F00ABH	After reset: 00H	R/W						
Symbol	7	6	5	4	3	2	1	<0>
FLMWRP	0	0	0	0	0	0	0	FLMWEN
FLMWEN	Control of flash operation mode select register (FLMODE)							
0	Rewriting the FLMODE register is disabled							
1	Rewriting the FLMODE register is enabled							

5.2.3 Regulator mode control register (PMMC)

The PMMC register is an 8-bit register used to control the mode of the on-chip regulator.

This register can be set by a 1-bit or 8-bit memory manipulation instruction.

Reset generation sets this register to 00H.

Figure 5 - 4 Format of Regulator mode control register (PMMC)

Address: F00F8H	After reset: 00H	R/W						
Symbol	7	<6>	5	4	3	2	1	0
PMMC	0	MCSEL	0	0	0	0	0	0
MCSEL	Control of regulator mode							
0	Normal setting							
1	Low-power consumption setting							

Caution 1. Do not change the flash operation mode select register (FLMODE) when MCSEL is 1.

Caution 2. Do not set MCSEL to 1 in HS (high-speed main) mode and LV (low-voltage main) mode.

Caution 3. In LS (low-speed main) mode, transition to the STOP mode is prohibited when MCSEL is 1.

5.3 Initial Setting of Flash Operation Modes

The option byte (000C2H) is used to set the initial state of flash operation mode and the high-speed on-chip oscillator after a reset is released.

Set an appropriate flash operation mode according to the VDD voltage and the high-speed on-chip oscillator frequency at a reset release.

When a reset is released, the value of CMODE1 and CMODE0 is updated in MODE1 and MODE0 in the flash operation mode select register (FLMODE) and the value of FRQSEL2 to FRQSEL0 is updated in the high-speed on-chip oscillator frequency select register (HOCODIV).

Figure 5 - 5 Format of User option byte (000C2H)

Address: 000C2H

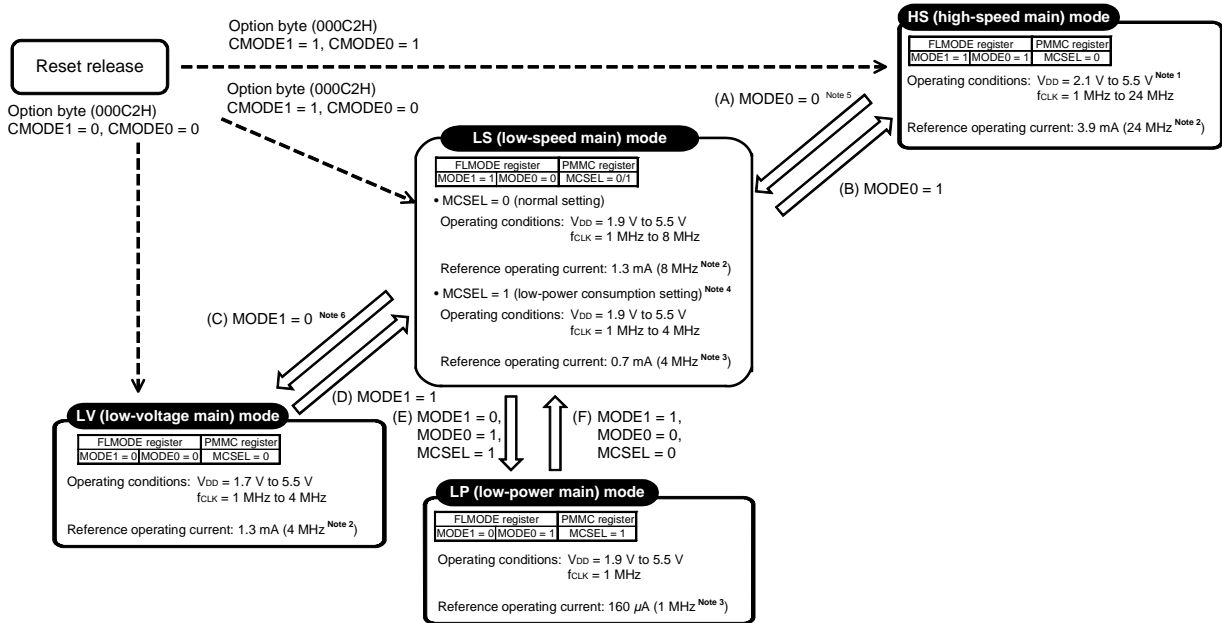
Symbol	7	6	5	4	3	2	1	0
	CMODE1	CMODE0	1	0	FRQSEL3	FRQSEL2	FRQSEL1	FRQSEL0
	CMODE1	CMODE0	Selection of flash operation mode after reset release					
	0	0	LV (low-voltage main) mode					
	1	0	LS (low-speed main) mode					
	1	1	HS (high-speed main) mode					
	Other than above		Setting prohibited					
	FRQSEL3	FRQSEL2	FRQSEL1	FRQSEL0	High-speed on-chip oscillator frequency			
	0	0	0	0	24 MHz			
	1	0	0	1	16 MHz			
	0	0	0	1	12 MHz			
	1	0	1	0	8 MHz			
	0	0	1	0	6 MHz			
	1	0	1	1	4 MHz			
	0	0	1	1	3 MHz			
	1	1	0	0	2 MHz			
	0	1	0	0	1.5 MHz			
	1	1	0	1	1 MHz			
	Other than above				Setting prohibited			

5.4 Transitions between Flash Operation Modes

HS (high-speed main) mode, LS (low-speed main) mode, or LV (low-voltage main) mode can be selected as the flash operation mode immediately after a reset release, by setting CMODE1 and CMODE0 in the option byte (000C2H). The value of CMODE1 and CMODE0 is updated in the MODE1 and MODE0 bits in the flash operation mode select register (FLMODE). After that, the flash operation mode can be changed by changing the value of the FLMODE register during CPU operation.

<R>

Figure 5 - 6 State Transitions between Flash Operation Modes



Note 1. The operating frequency and operating voltage range are as follows.

- 1 MHz \leq $f_{CLK} \leq$ 6 MHz (2.1 V \leq $V_{DD} \leq$ 5.5 V)
- 1 MHz \leq $f_{CLK} \leq$ 12 MHz (2.4 V \leq $V_{DD} \leq$ 5.5 V)
- 1 MHz \leq $f_{CLK} \leq$ 16 MHz (2.5 V \leq $V_{DD} \leq$ 5.5 V)
- 1 MHz \leq $f_{CLK} \leq$ 24 MHz (2.7 V \leq $V_{DD} \leq$ 5.5 V)
- 1 MHz \leq $f_{CLK} \leq$ 32 MHz (2.8 V \leq $V_{DD} \leq$ 5.5 V)

Note 2. Current when the high-speed on-chip oscillator operates.

Note 3. Current when the middle-speed on-chip oscillator operates.

Note 4. Transitions between flash operation modes or transition to the STOP mode cannot be made when MCSEL = 1 (low-power consumption setting). When changing the flash operation mode or making transition to the STOP mode, be sure to set MCSEL = 0 (normal setting) before changing the mode.

Note 5. When CMODE1 and CMODE0 of the option byte (000C2H) are set to 1, operation is not guaranteed if a reset is generated while the operating voltage is 2.4 V or lower after entry to the LS (low-speed main) mode.

Note 6. When CMODE1 and CMODE0 of the option byte (000C2H) are set to 1 and 0 respectively, operation is not guaranteed if a reset is generated while the operating voltage is 1.9 V or lower after entry to the LV (low-voltage main) mode.

Note 7. Selecting the LV (low-voltage main) mode while the battery backup function is operating ($VBATEN = 1$) is prohibited.

<R>

Caution When a reset is applied while the MCU operates, operation always starts in the flash operation mode set by the option byte after a reset release. Therefore, make sure that operation does not start outside the operating voltage range when a reset is released by setting the LVD detection voltage to at least the operating voltage range of the flash operation mode set in the option byte.

5.5 Details of Flash Operation Modes

5.5.1 Details of HS (high-speed main) mode

HS (high-speed main) mode is suitable for applications that require CPU high-speed processing.

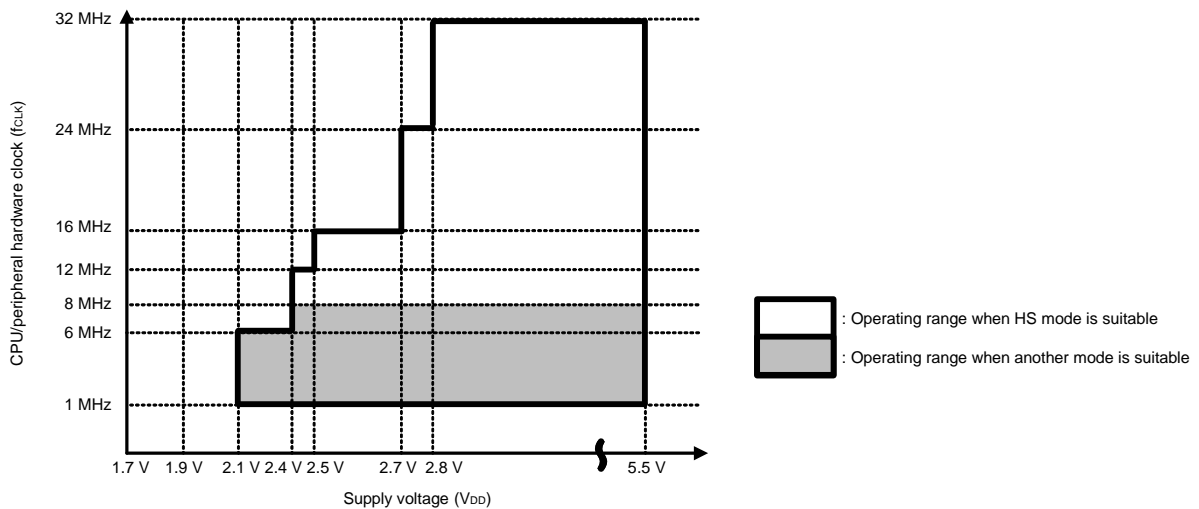
HS mode can be operated immediately after a reset release. Also, this mode can be entered from LS (low-speed main) mode. When entering HS mode, make sure that the supply voltage is $2.4\text{ V} \leq V_{DD} \leq 5.5\text{ V}$ in LS mode.

Operating in HS mode is suitable when the power supply voltage and operating frequency meet any of the following conditions.

- <R> • $2.4\text{ V} \leq V_{DD} \leq 5.5\text{ V}$ and the operating frequency is $8\text{ MHz} < f_{CLK} \leq 12\text{ MHz}$
- <R> • $2.5\text{ V} \leq V_{DD} \leq 5.5\text{ V}$ and the operating frequency is $8\text{ MHz} < f_{CLK} \leq 16\text{ MHz}$
- <R> • $2.7\text{ V} \leq V_{DD} \leq 5.5\text{ V}$ and the operating frequency is $8\text{ MHz} < f_{CLK} \leq 24\text{ MHz}$
- <R> • $2.8\text{ V} \leq V_{DD} \leq 5.5\text{ V}$ and the operating frequency is $8\text{ MHz} < f_{CLK} \leq 32\text{ MHz}$

When 8 MHz or lower is used for operation, another mode can be used as the suitable flash operation mode.

Figure 5 - 7 Operating Range in HS Mode



5.5.2 Details of LS (low-speed main) mode

LS (low-speed main) mode supports both CPU processing capacity and operating voltage performance, suitable for applications that require low-power consumption at 1 to 8 MHz.

LS mode can be operated immediately after a reset release. Also, this mode can be entered from HS (high-speed main) mode, LV (low-voltage main) mode, or LP (low-power main) mode. When entering from HS mode to LS mode, make sure that the operating frequency is $1 \text{ MHz} \leq f_{\text{CLK}} \leq 8 \text{ MHz}$.

In LS mode, low-power consumption can be set by the MCSEL bit in the regulator mode control register (PMMC). When setting low-power consumption, set the MCSEL bit to 1 while the operating frequency is $1 \text{ MHz} \leq f_{\text{CLK}} \leq 4 \text{ MHz}$.

The suitable operating range in LS mode is when the supply voltage is $1.9 \text{ V} \leq V_{\text{DD}} \leq 5.5 \text{ V}$ and the operating frequency is $4 \text{ MHz} < f_{\text{CLK}} \leq 8 \text{ MHz}$ if $\text{MCSEL} = 0$, and when the supply voltage is $1.9 \text{ V} \leq V_{\text{DD}} \leq 5.5 \text{ V}$ and the operating frequency is $1 \text{ MHz} < f_{\text{CLK}} \leq 4 \text{ MHz}$ if $\text{MCSEL} = 1$.

Figure 5 - 8 Operating Range in LS Mode (MCSEL = 0)

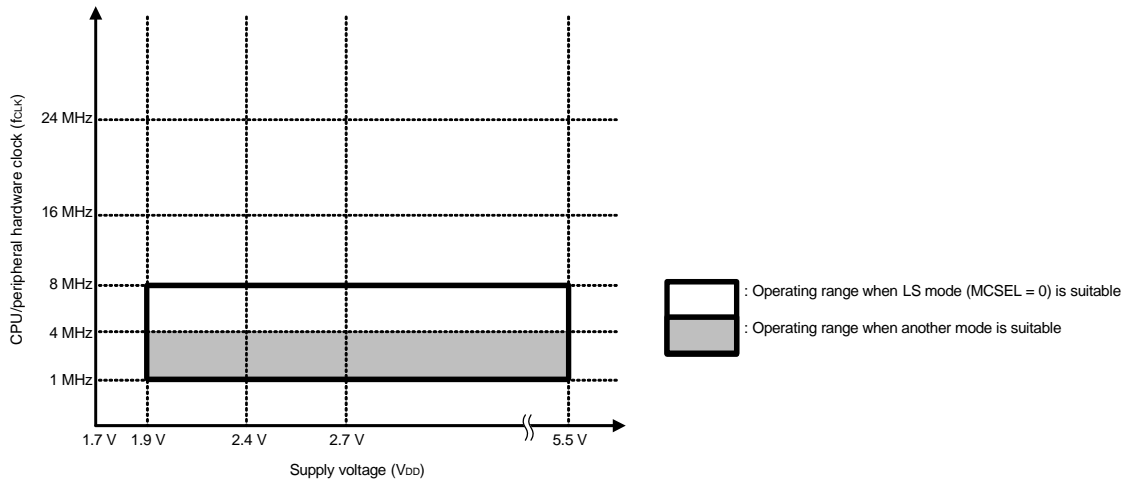
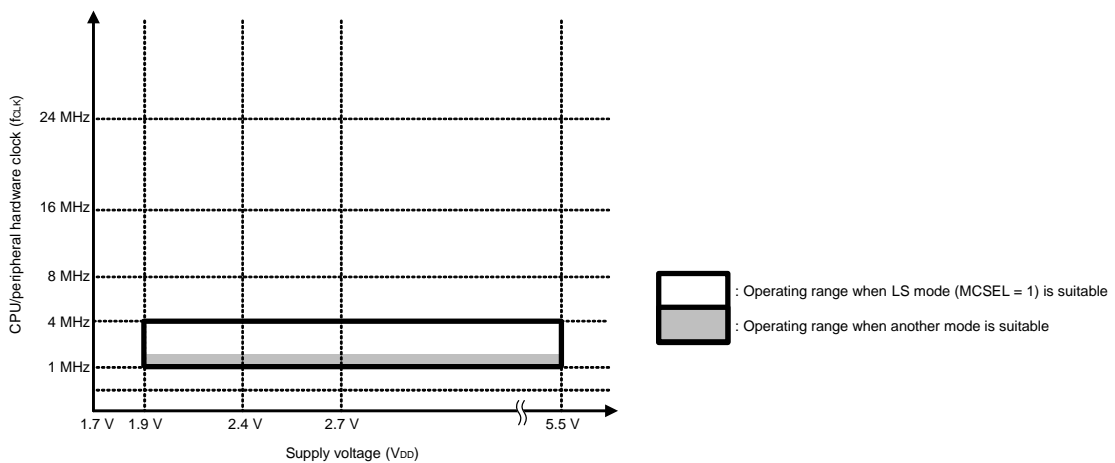


Figure 5 - 9 Operating Range in LS Mode (MCSEL = 1)



Caution When entering another flash operation mode, make sure that $\text{MCSEL} = 0$.

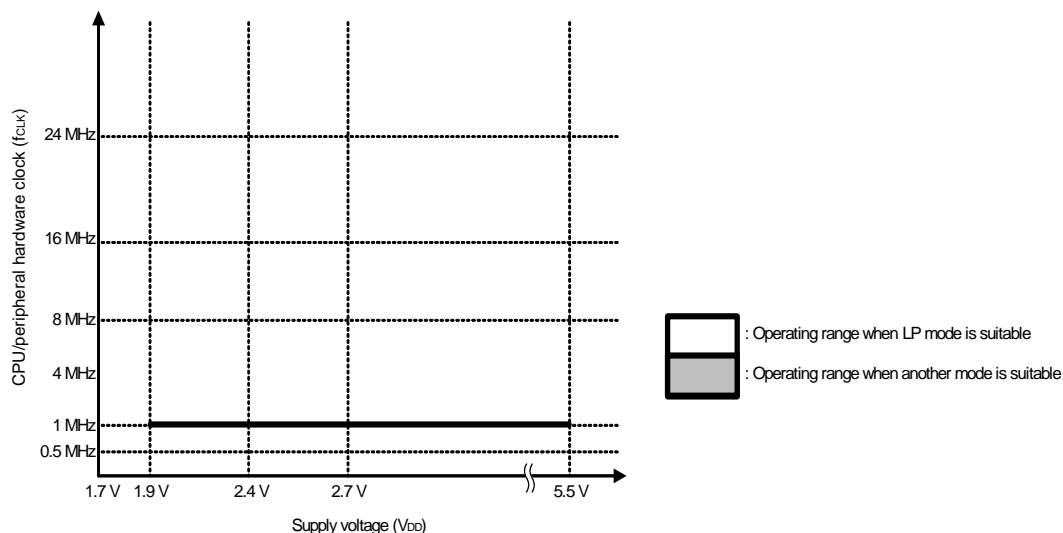
5.5.3 Details of LP (low-power main) mode

LP (low-power main) mode can be use to operate the CPU on low power at a 1-MHz frequency.

LP mode can be entered from LS (low-speed main) mode. When entering from LS mode to LP mode, make sure the operating frequency is $f_{CLK} = 1 \text{ MHz}$. After the mode is entered, set the MCSEL bit in the regulator mode control register to 1.

The suitable operating range in LP mode is when the supply voltage is $1.9 \text{ V} \leq V_{DD} \leq 5.5 \text{ V}$ and the operating frequency is 1 MHz.

Figure 5 - 10 Operating Range in LP Mode



Caution 1. When entering LS (low-speed main) mode, make sure that MCSEL = 0.

Caution 2. The 24-bit $\Delta\Sigma$ A/D converter cannot be used in LP (low-power main) mode or LV (low-voltage main) mode.

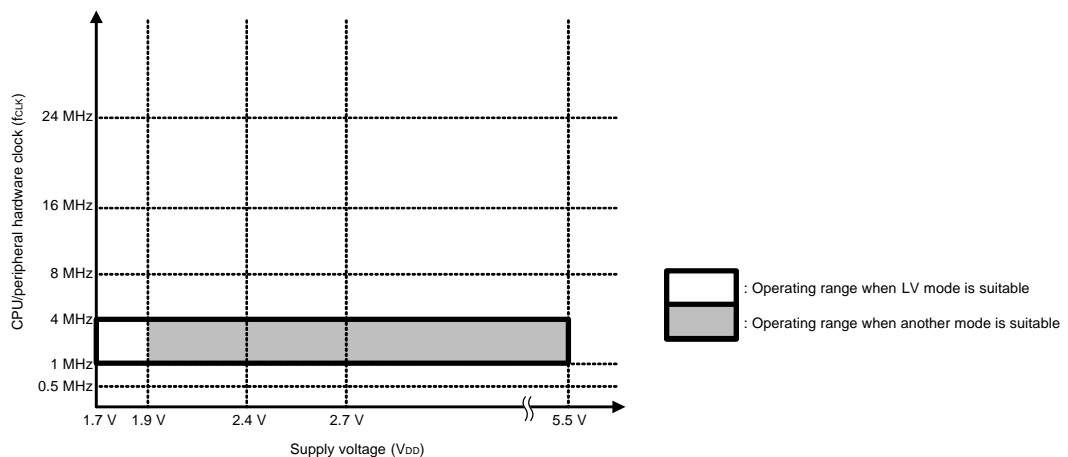
5.5.4 Details on LV (low-voltage main) mode

LV (low-voltage main) mode is suitable for applications that require operation at 1.9 V or lower.

LV mode can be operated immediately after a reset release. Also, this mode can be entered from LS (low-speed main) mode. When entering from LS mode to LV mode, make sure that the operating frequency is $1 \text{ MHz} \leq \text{fCLK} \leq 4 \text{ MHz}$.

The suitable operating range in LV mode is when the supply voltage is $1.7 \text{ V} \leq V_{DD} < 1.9 \text{ V}$. When a supply voltage of $1.9 \text{ V} \leq V_{DD} \leq 5.5 \text{ V}$ is used for operation, another mode can be used as the suitable flash operation mode.

Figure 5 - 11 Operating Range in LV Mode



Caution 1. The middle-speed on-chip oscillator cannot be used in LV (low-voltage main) mode. When entering LV mode, first switch the operating clock to an oscillator other than the middle-speed on-chip oscillator, and then enter LV mode.

Caution 2. Selecting the LV (low-voltage main) mode while the battery backup function is operating (VBATEN = 1) is prohibited.

Caution 3. The 24-bit $\Delta\Sigma$ A/D converter cannot be used in LP (low-power main) mode or LV (low-voltage main) mode.

CHAPTER 6 CLOCK GENERATOR

6.1 Functions of Clock Generator

The clock generator generates the clock to be supplied to the CPU and peripheral hardware.

The following six kinds of system clocks and clock oscillators are selectable.

(1) Main system clock

<1> X1 oscillator

This circuit oscillates a clock of $f_x = 1$ to 20 MHz^{Note} by connecting a resonator to X1 pin and X2 pin. Oscillation can be stopped by executing the STOP instruction or setting of the MSTOP bit (bit 7 of the clock operation status control register (CSC)).

Note When the high-speed system clock (f_{MX}) is supplied as the operating clock for the 24-bit $\Delta\Sigma$ A/D converter, only the 12-MHz crystal resonator can be used.

<2> High-speed on-chip oscillator

The frequency at which to oscillate can be selected from among $f_{IH} = 24, 12, 6, 3,$ or 1.5 MHz (when the FRQSEL3 bit is set to 0) or $f_{IH} = 16, 8, 4, 2,$ or 1 MHz (when the FRQSEL bit is set to 1) by using the option byte (000C2H). After a reset release, the CPU always starts operating with this high-speed on-chip oscillator clock. Oscillation can be stopped by executing the STOP instruction or setting of the HIOSTOP bit (bit 0 of the CSC register).

The frequency specified by using an option byte can be changed by using the high-speed on-chip oscillator frequency select register (HOCODIV). For details about the frequency, see **Figure 6 - 14 Format of High-speed on-chip oscillator frequency select register (HOCODIV)**.

The frequencies that can be specified for the high-speed on-chip oscillator by using the option byte and the high-speed on-chip oscillator frequency select register (HOCODIV) are shown below.

Power Supply Voltage	Oscillation Frequency (MHz)									
	1	1.5	2	3	4	6	8	12	16	24
$2.7\text{ V} \leq V_{DD}^{\text{Note}} \leq 5.5\text{ V}$	√	√	√	√	√	√	√	√	√	√
$2.5\text{ V} \leq V_{DD}^{\text{Note}} \leq 5.5\text{ V}$	√	√	√	√	√	√	√	√	√	—
$2.4\text{ V} \leq V_{DD}^{\text{Note}} \leq 5.5\text{ V}$	√	√	√	√	√	√	√	√	—	—
$1.9\text{ V} \leq V_{DD}^{\text{Note}} \leq 5.5\text{ V}$	√	√	√	√	√	√	√	—	—	—
$1.7\text{ V} \leq V_{DD}^{\text{Note}} \leq 5.5\text{ V}$	√	√	√	√	√	—	—	—	—	—

Note This indicates the power supply voltage (that on the V_{DD} or V_{BAT} pin) selected by the battery back-up function.

<3> Middle-speed on-chip oscillator

The frequency at which to oscillate can be selected from among $f_{IM} = 4, 2, 1$ MHz (TYP.) by setting of the MOCODIV bit (bits 0, 1 of the MOCODIV register). Oscillation can be stopped by executing the STOP instruction or clearing of the MIOEN bit (bit 1 of the CSC register).

<4> PLL oscillator ^{Note 1}

Selecting the PLL clock by setting the main clock control register (MCKC) and setting the PLL control register (DSCCTL) causes the PLL to oscillate and produce a 32-MHz (f_{PLL}) clock signal.

<R>

An external main system clock ($f_{EX} = 1$ to 20 MHz^{Note 2}) can also be supplied from the EXCLK/X2/P122 pin. An external main system clock input can be disabled by executing the STOP instruction or setting of the MSTOP bit.

As the main system clock, a high-speed system clock (X1 clock or external main system clock), high-speed on-chip oscillator clock, middle-speed on-chip oscillator clock, or PLL clock ^{Note 1} can be selected.

<R>

The available frequency range of the main system clock varies depending on the power supply voltage V_{DD} . The operation voltage mode of the flash memory must be set with CMODE0 and CMODE1 of the option byte (000C2H) (see **CHAPTER 35 OPTION BYTE**).

<R>

Note 1. R5F10NPJ, R5F10NMJ, R5F10NPG only

Note 2. When the high-speed system clock (f_{MX}) is supplied as the operating clock for the 24-bit $\Delta\Sigma$ A/D converter, supply a 12-MHz signal as the external main system clock (f_{EX}).

(2) Subsystem clock

<1> XT1 clock oscillator

This circuit oscillates a clock of $f_{XT} = 32.768$ kHz by connecting a 32.768 kHz resonator to XT1 pin and XT2 pin. Oscillation can be stopped by setting the XTSTOP bit (bit 6 of the clock operation status control register (CSC)).

An external subsystem clock ($f_{EXS} = 32.768$ kHz) can also be supplied from the EXCLKS/XT2/P124 pin. An external subsystem clock input can be disabled by the setting of the XTSTOP bit.

<2> Low-speed on-chip oscillator

This circuit oscillates a clock of $f_{IL} = 15$ kHz (TYP.).

The low-speed on-chip oscillator clock can be used as the CPU clock. The following peripheral hardware is driven by the low-speed on-chip oscillator clock.

- Watchdog timer
- 12-bit interval timer
- 8-bit interval timer
- Frequency measurement circuit
- Oscillation stop detection circuit
- LCD controller/driver

This clock operates when any bit among bit 4 (WDTON) of the option byte (000C0H), bit 4 (WUTMMCK0) of the subsystem clock supply option control register (OSMC), or bit 0 of the subsystem clock select register (CKSEL) is set to 1 (including multiple bits).

However, when $WDTON = 1$, $WUTMMCK0 = 0$, $SELLOSC = 0$, and bit 0 (WDSTBYON) of the option byte (000C0H) is 0, oscillation of the low-speed on-chip oscillator stops if the HALT or STOP instruction is executed.

Remark	f_X :	X1 clock oscillation frequency
	f_{IH} :	High-speed on-chip oscillator clock frequency (24 MHz max.)
	f_{IM} :	Middle-speed on-chip oscillator clock frequency
	f_{EX} :	External main system clock frequency
	f_{XT} :	XT1 clock oscillation frequency
	f_{EXS} :	External subsystem clock frequency
	f_{IL} :	Low-speed on-chip oscillator frequency
	f_{PLL} :	PLL clock frequency

6.2 Configuration of Clock Generator

The clock generator includes the following hardware.

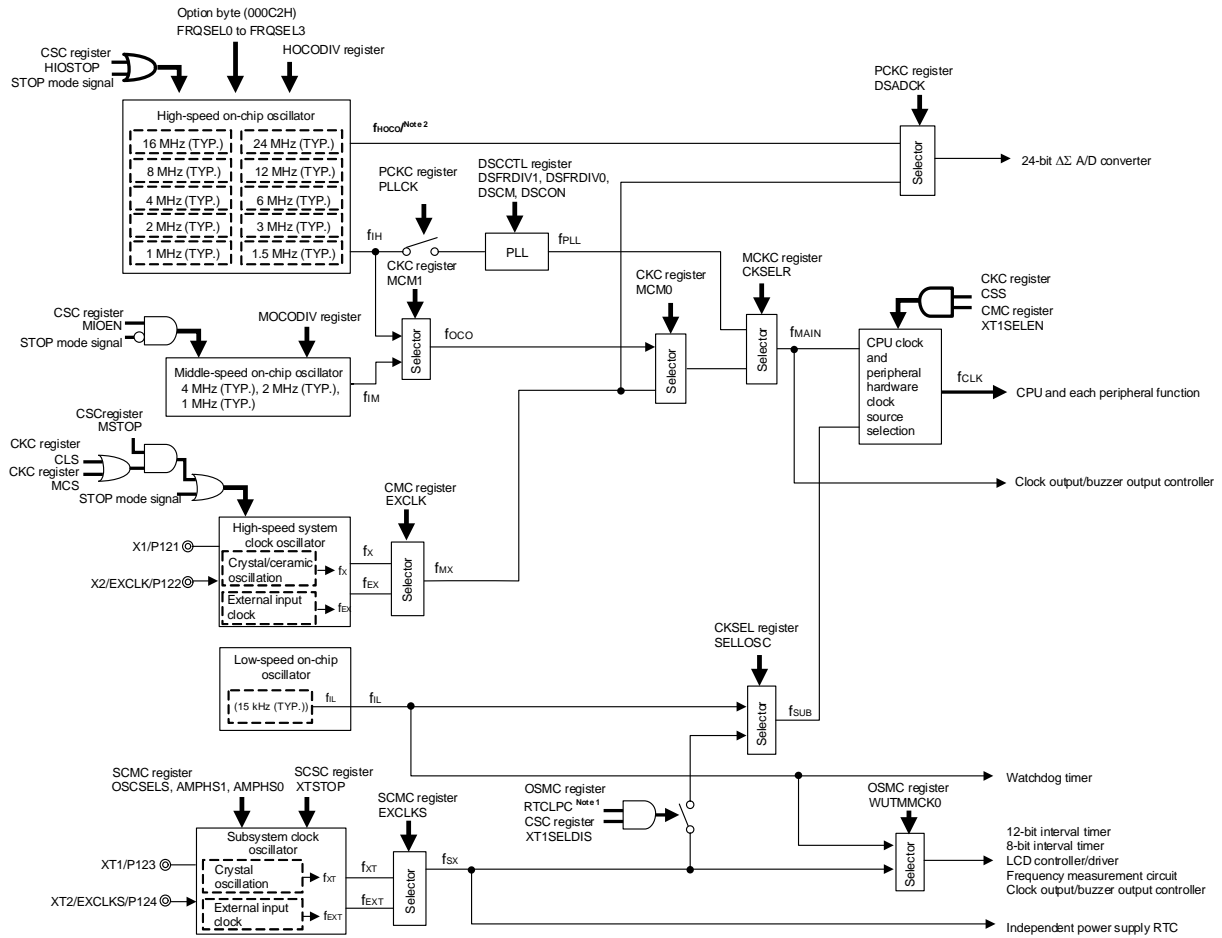
Table 6 - 1 Configuration of Clock Generator

Item	Configuration
Control registers	Clock operation mode control register (CMC) System clock control register (CKC) Clock operation status control register (CSC) Oscillation stabilization time counter status register (OSTC) Oscillation stabilization time select register (OSTS) Peripheral enable registers 0, 1, 2 (PER0, PER1, PER2) Subsystem clock supply option control register (OSMC) High-speed on-chip oscillator frequency select register (HOCODIV) Subsystem clock select register (CKSEL) Middle-speed on-chip oscillator frequency select register (MOCODIV) Frequency measurement clock select register (FMCKS) Peripheral clock control register (PCKC) PLL control register (DSCCTL) ^{Note} Main clock control register (MCKC) ^{Note} Sub clock operation mode control register (SCMC) Sub clock operation status control register (SCSC)
Oscillators	X1 oscillator XT1 oscillator High-speed on-chip oscillator Middle-speed on-chip oscillator Low-speed on-chip oscillator PLL oscillator ^{Note}

Note R5F10NPJ, R5F10NMJ, R5F10NPG only

<R>

Figure 6 - 1 Block Diagram of Clock Generator



Note 1. Setting the RTCLPC bit to 1 during a period in the STOP mode or in the HALT mode while the CPU is being driven by the subsystem clock (f_{SUB}) stops supply of the clock signal.

Note 2. To supply the high-speed on-chip oscillator clock as the operating clock for the 24-bit $\Delta\Sigma$ A/D converter, set the FRQSEL3 bit to 0 ($f_{HOCO} = 24$ MHz). $f_{HOCO}/2 = 12$ MHz is supplied regardless of the frequency setting of the high-speed on-chip oscillator clock (f_{IH}).

- Remark**
- f_X : X1 clock oscillation frequency
 - f_{IH} : High-speed on-chip oscillator clock frequency (24 MHz max.)
 - f_{IM} : Middle-speed on-chip oscillator clock frequency (4 MHz max.)
 - f_{EX} : External main system clock frequency
 - f_{MX} : High-speed system clock frequency
 - f_{MAIN} : Main system clock frequency
 - f_{XT} : XT1 clock oscillation frequency
 - f_{XS} : External subsystem clock frequency
 - f_{SX} : Sub clock
 - f_{SUB} : Subsystem clock frequency
 - f_{CLK} : CPU/peripheral hardware clock frequency
 - f_L : Low-speed on-chip oscillator clock frequency
 - f_{OCO} : Main on-chip oscillator clock frequency (f_{IH} or f_{IM})
 - f_{PLL} : PLL clock frequency

6.3 Registers Controlling Clock Generator

The following registers are used to control the clock generator.

- Clock operation mode control register (CMC)
- System clock control register (CKC)
- Clock operation status control register (CSC)
- Sub clock operation mode control register (SCMC)
- Sub clock operation status control register (SCSC)
- Oscillation stabilization time counter status register (OSTC)
- Oscillation stabilization time select register (OSTS)
- Peripheral enable registers 0, 1, 2 (PER0, PER1, PER2)
- Subsystem clock supply option control register (OSMC)
- High-speed on-chip oscillator frequency select register (HOCODIV)
- Subsystem clock select register (CKSEL)
- Middle-speed on-chip oscillator frequency select register (MOCODIV)
- Frequency measurement clock select register (FMCKS)
- PLL control register (DSCCTL)
- Main clock control register (MCKC)
- Peripheral clock control register (PCKC)

Caution Which registers and bits are included depends on the product. Be sure to set registers and bits that are not mounted in a product to their initial values.

6.3.1 Clock operation mode control register (CMC)

This register is used to set the operating mode of the X1/P121 and X2/EXCLK/P122 pins, to select the gain of the X1 oscillator, and to permit or prohibit selection of the XT1 oscillation clock or external subsystem clock.

The CMC register can be written only once by an 8-bit memory manipulation instruction after release from the reset state. This register can be read by an 8-bit memory manipulation instruction.

Generation of reset signals other than an RTC power-on reset clears this register to 00H.

Figure 6 - 2 Format of Clock operation mode control register (CMC)

Address: FFFA0H After reset: 00H R/W

Symbol 7 6 5 4 3 2 1 0

CMC	EXCLK	OSCSEL	0	XT1SELEN	0	0	0	AMPH
-----	-------	--------	---	----------	---	---	---	------

EXCLK	OSCSEL	High-speed system clock pin operation mode	X1/P121 pin	X2/EXCLK/P122 pin
0	0	Input port mode	Input port	
0	1	X1 oscillation mode	Crystal/ceramic resonator connection	
1	0	Input port mode	Input port	
1	1	External clock input mode	Input port	External clock input

XT1SELEN	Permits or prohibits selection of the XT1 oscillation clock (f_{XT}) or external subsystem clock (f_{EXS}) as the CPU/peripheral hardware clock (f_{CLK}) Notes 1, 2, 3
0	Prohibited (switching the clock by setting the CSS bit in the CKC register is disabled).
1	Permitted (switching the clock by setting the CSS bit in the CKC register is enabled).

AMPH	Control of X1 clock oscillation frequency
0	$1 \text{ MHz} \leq f_x \leq 10 \text{ MHz}$
1	$10 \text{ MHz} < f_x \leq 20 \text{ MHz}$

Note 1. This bit only permits switching the clock by setting the CSS bit in the CKC register. Simply setting this bit does not change the CPU/peripheral hardware clock (f_{CLK}).

Note 2. Setting this bit is not required if the low-speed on-chip oscillator clock (f_{IL}) is selected as the CPU/peripheral hardware clock (f_{CLK}).

Note 3. Be sure to write the same value as that of the OSCSELS bit in the SCMC register.

Caution 1. The CMC register can be written only once after reset release, by an 8-bit memory manipulation instruction. When using the CMC register with its initial value (00H), be sure to set the register to 00H after a reset ends in order to prevent malfunction due to a program loop. Such a malfunction becomes unrecoverable when a value other than 00H is mistakenly written.

Caution 2. After reset release, set the CMC register before X1 or XT1 oscillation is started as set by the clock operation status control register (CSC) or subsystem clock operation status control register (SCMC).

Caution 3. Be sure to set the AMPH bit to 1 if the X1 clock oscillation frequency exceeds 10 MHz.

Caution 4. Specify the settings for the AMPH bit while f_{IH} is selected as f_{CLK} after a reset ends (before f_{CLK} is switched to f_{MX} or f_{SUB}).

Caution 5. Although the maximum system clock frequency is 32 MHz, the maximum frequency of the X1 oscillator is 20 MHz.

Remark f_x : X1 clock frequency

6.3.2 System clock control register (CKC)

This register is used to select a CPU/peripheral hardware clock and a main system clock. The CKC register can be set by a 1-bit or an 8-bit memory manipulation instruction. Generation of reset signals other than an RTC power-on reset clears this register to 00H.

Figure 6 - 3 Format of System clock control register (CKC)

Address: FFFA4H After reset: 00H R/W^{Note 1}

Symbol <7> <6> <5> <4> 3 2 <1> <0>

CKC	CLS	CSS	MCS	MCM0	0	0	MCS1	MCM1
-----	-----	-----	-----	------	---	---	------	------

CLS	Status of CPU/peripheral hardware clock (fCLK)
0	Main system clock (fMAIN)
1	Subsystem clock (fSUB)

CSS	Selection of CPU/peripheral hardware clock (fCLK)
0	Main system clock (fMAIN)
1	Subsystem clock (fSUB)

MCS	Status of Main system clock (fMAIN)
0	Main on-chip oscillator clock (fOCO)
1	High-speed system clock (fMX)

MCM0 ^{Note 2}	Main system clock (fMAIN) operation control
0	Selects the main on-chip oscillator clock (fOCO) as the main system clock (fMAIN)
1	Selects the high-speed system clock (fMX) as the main system clock (fMAIN)

MCS1	Status of Main on-chip oscillator clock (fOCO)
0	High-speed on-chip oscillator clock
1	Middle-speed on-chip oscillator clock

MCM1 ^{Note 2}	Main on-chip oscillator clock (fOCO) operation control
0	High-speed on-chip oscillator clock
1	Middle-speed on-chip oscillator clock

Note 1. Bits 7, 5, and 1 are read-only.

Note 2. Changing the value of the MCM0 and MCM1 bits is prohibited while the CSS bit is set to 1.

Remark f_{IH}: High-speed on-chip oscillator clock frequency (24 MHz max.)
 f_{MX}: High-speed system clock frequency
 f_{MAIN}: Main system clock frequency
 f_{SUB}: Subsystem clock frequency
 f_{OCO}: Main on-chip oscillator clock frequency (f_{IH} or f_{IM})

- Caution 1.** Be sure to set bits 2 and 3 of the CKC register to 0.
- Caution 2.** The clock set by the CSS bit is supplied to the CPU and peripheral hardware. If the CPU clock is changed, therefore, the clock supplied to peripheral hardware (except the independent power supply RTC, 12-bit interval timer, clock output/buzzer output, LCD controller/driver, 8-bit interval timer, frequency measurement circuit, oscillation stop detection circuit, and watchdog timer) is also changed at the same time. Consequently, stop each peripheral function when changing the CPU/peripheral hardware clock.
- Caution 3.** If the subsystem clock is used as the peripheral hardware clock, the operations of the A/D converter and IICA are not guaranteed. For the operating characteristics of the peripheral hardware, refer to the chapters describing the various peripheral hardware as well as CHAPTER 41 ELECTRICAL SPECIFICATIONS.

6.3.3 Clock operation status control register (CSC)

This register is used to control the operations of the high-speed system clock, high-speed on-chip oscillator clock, middle-speed on-chip oscillator clock, and subsystem clock (except the low-speed on-chip oscillator clock).

The CSC register can be set by a 1-bit or an 8-bit memory manipulation instruction.

Generation of reset signals other than an RTC power-on reset sets this register to C0H.

Figure 6 - 4 Format of Clock operation status control register (CSC)

Address: FFFA1H After reset: C0H R/W

Symbol <7> <6> 5 4 3 2 <1> <0>

CSC	MSTOP	XT1SELDIS	0	0	0	0	MIOEN	HIOSTOP
-----	-------	-----------	---	---	---	---	-------	---------

MSTOP	High-speed system clock operation control		
	X1 oscillation mode	External clock input mode	Input port mode
0	X1 oscillator operating	External clock from EXCLK pin is valid	Input port
1	X1 oscillator stopped	External clock from EXCLK pin is invalid	

XT1SELDIS	Control supply of the sub clock (f_{SX}) ^{Note 3} as the CPU/peripheral hardware clock (f_{CLK}) ^{Notes 1, 2}
0	Enables clock supply.
1	Stops clock supply.

MIOEN	Middle-speed on-chip oscillator clock operation control
0	Middle-speed on-chip oscillator stopped
1	Middle-speed on-chip oscillator operating

HIOSTOP	High-speed on-chip oscillator clock operation control
0	High-speed on-chip oscillator operating
1	High-speed on-chip oscillator stopped

Note 1. This bit only controls supply of the sub clock (f_{SX}). It does not control oscillation of the XT1 oscillator.

Note 2. Be sure to write 0 to this bit when the XT1 oscillation clock (f_{XT}) or external subsystem clock (f_{EXS}) is to be used as the CPU/peripheral hardware clock (f_{CLK}).

Note 3. This does not include supply of the clock signal to the independent power supply RTC, frequency measurement circuit, 12-bit interval timer, 8-bit interval timer, clock output/buzzer output, and LCD controller/driver.

Caution 1. After reset release, set the clock operation mode control register (CMC) before setting the CSC register.

Caution 2. Set the oscillation stabilization time select register (OSTS) before setting the MSTOP bit to 0 after releasing reset. Note that if the OSTS register is being used with its default settings, the OSTS register is not required to be set here.

Caution 3. To start X1 oscillation as set by the MSTOP bit, check the oscillation stabilization time of the X1 clock by using the oscillation stabilization time counter status register (OSTC).

Caution 4. Do not stop the clock selected for the CPU/peripheral hardware clock (f_{CLK}) with the OSC register.

Caution 5. The setting of the flags of the register to stop clock oscillation (invalidate the external clock input) and the condition before clock oscillation is to be stopped are as Table 6 - 2.

Before stopping the clock, check the preconditions for stopping the clock.

<R>

<R>

Table 6 - 2 Stopping Clock Method

Clock	Condition Before Stopping Clock (Invalidating External Clock Input)	Flag Settings of CSC or SCSC Register
X1 clock	CPU and peripheral hardware clocks operate with a clock other than the high-speed system clock. (CLS = 0 and MCS = 0, or CLS = 1)	MSTOP = 1
External main system clock		
XT1 clock	CPU and peripheral hardware clocks operate with a clock other than the subsystem clock. (CLS = 0)	XTSTOP = 1
External subsystem clock		
High-speed on-chip oscillator clock	CPU and peripheral hardware clocks operate with a clock other than the high-speed on-chip oscillator clock (CLS = 0 and MCS = 1, or CLS = 1) or CLS = 0, MCS = 0, and MCS1 = 1	HIOSTOP = 1

6.3.4 Sub clock operation mode control register (SCMC)

This register is used to set the operating mode of the XT1/P123 and XT2/EXCLKS/P124 pins, and to select the gain of the oscillator.

After release from an RTC power-on reset or a reset from any other source, the SCMC register can be written only once by an 8-bit memory manipulation instruction. This register can be read by an 8-bit memory manipulation instruction.

Generation of the RTC power-on reset signal clears this register to 00H. This register is not reset by other reset sources (including the power-on reset of the internal V_{DD} power supply).

Figure 6 - 5 Format of Sub clock operation mode control register (SCMC)

Address: F0384H After reset: 00H R/W

Symbol	7	6	5	4	3	2	1	0
SCMC	0	0	EXCLKS	OSCSELS	0	AMPHS1	AMPHS0	0

EXCLKS	OSCSELS	Subsystem clock pin operation mode	XT1/P123 pin	XT2/EXCLKS/P124 pin
0	0	Input port mode	Input port	
0	1	XT1 oscillation mode	Crystal oscillator connection	
1	0	Input port mode	Input port	
1	1	External clock input mode	Input port	External clock input

AMPHS1	AMPHS0	XT1 oscillator oscillation mode selection
0	0	Low-power consumption oscillation (default)
0	1	Normal oscillation
1	0	Ultra-low power consumption oscillation
1	1	Setting prohibited

Note The EXCLKS, OSCSELS, AMPHS1, and AMPHS0 bits are only initialized by an RTC power-on reset; they retain their values following a reset due to another source (including the power-on reset of the internal V_{DD} power supply).

Caution 1. After the CPU is released from the reset state, the SCMC register can be written only once by an 8-bit memory manipulation instruction. When using the SCMC register with its initial value (00H), be sure to set the register to 00H after a reset ends in order to prevent malfunction due to a program loop.

Caution 2. After the CPU is released from the reset state, set the SCMC register before XT1 oscillation is started as set by the sub clock operation status control register (SCSC).

Caution 3. Specify the settings for the AMPHS1 and AMPHS0 bits while f_{IH} is selected as f_{CLK} after a reset ends (before f_{CLK} is switched to f_{MX}).

Caution 4. Count the f_{XT} oscillation stabilization time by using software.

Caution 5. After the CPU is released from the reset state following writing to the SCMC register and then a reset other than an RTC power-on reset, set the same value as the value before the reset to prevent incorrect operation in the case of an endless loop or runaway execution.

Caution 6. The XT1 oscillator is a circuit with low amplification in order to achieve low-power consumption. Note the following points when designing the circuit.

- Pins and circuit boards include parasitic capacitance. Therefore, perform oscillation evaluation using a circuit board to be actually used and confirm that there are no problems.
- When using the ultra-low power consumption oscillation (AMPHS1, AMPHS0 = 1, 0) as the mode of the XT1 oscillator, evaluate the resonators described in 6.7 Resonator and Oscillator Constants.
- Make the wiring between the XT1 and XT2 pins and the resonators as short as possible, and minimize the parasitic capacitance and wiring resistance. Note this particularly when the ultra-low

power consumption oscillation (AMPHS1, AMPHS0 = 1, 0) is selected.

- Configure the circuit of the circuit board, using material with little parasitic capacitance and wiring resistance.
- Place a ground pattern that has the same potential as Vss as much as possible near the XT1 oscillator.
- Be sure that the signal lines between the XT1 and XT2 pins, and the resonators do not cross with the other signal lines. Do not route the wiring near a signal line through which a high fluctuating current flows.
- The impedance between the XT1 and XT2 pins may drop and oscillation may be disturbed due to moisture absorption of the circuit board in a high-humidity environment or dew condensation on the board. When using the circuit board in such an environment, take measures to damp-proof the circuit board, such as by coating.
- When coating the circuit board, use material that does not cause capacitance or leakage between the XT1 and XT2 pins.

Caution 7. Be sure to clear bits 7, 6, 3, and 0 to 0.

6.3.5 Sub clock operation status control register (SCSC)

This register is used to control the operation of the sub clock.

The SCSC register can be set by a 1-bit or an 8-bit memory manipulation instruction.

Generation of the RTC power-on reset signal sets this register to 40H.

Figure 6 - 6 Format of Sub clock operation status control register (SCSC)

Address: F0386H	After reset: 40H	R/W						
Symbol	7	<6>	5	4	3	2	1	0
SCSC	0	XTSTOP	0	0	0	0	0	0
XTSTOP Note	Control of XT1 oscillator operation							
0	XT1 oscillation mode: XT1 oscillator operating External clock input mode: External clock from EXCLKS pin is valid. Input port mode: Input port							
1	XT1 oscillation mode: XT1 oscillator stopped External clock input mode: External clock from EXCLKS pin is invalid. Input port mode: Input port							

Note The XTSTOP bit is only initialized by an RTC power-on reset; it retains its value following a reset due to another source (including the power-on reset of the internal V_{DD} power supply).

Caution 1. When starting XT1 oscillation by setting the XTSTOP bit, use software to wait for oscillation of the sub clock to become stable.

Caution 2. Be sure to clear the bits 7 and 5 to 0 to 0.

6.3.6 Oscillation stabilization time counter status register (OSTC)

This is the register that indicates the count status of the X1 clock oscillation stabilization time counter.

The X1 clock oscillation stabilization time can be checked in the following case,

- If the X1 clock starts oscillation while the high-speed on-chip oscillator clock or subsystem clock is being used as the CPU clock.
- If the STOP mode is entered and then released while the high-speed on-chip oscillator clock is being used as the CPU clock with the X1 clock oscillating.

The OSTC register can be read by a 1-bit or an 8-bit memory manipulation instruction.

The generation of reset signal, the STOP instruction and MSTOP (bit 7 of clock operation status control register (CSC)) = 1 clear the OSTC register to 00H.

Remark The oscillation stabilization time counter starts counting in the following cases.

- When oscillation of the X1 clock starts (EXCLK, OSCSEL = 0, 1 → MSTOP = 0)
- When the STOP mode is released

Figure 6 - 7 Format of Oscillation stabilization time counter status register (OSTC)

Address: FFFA2H After reset: 00H R

Symbol 7 6 5 4 3 2 1 0

OSTC	MOST8	MOST9	MOST10	MOST11	MOST13	MOST15	MOST17	MOST18
------	-------	-------	--------	--------	--------	--------	--------	--------

MOST8	MOST9	MOST10	MOST11	MOST13	MOST15	MOST17	MOST18	Oscillation stabilization time status		
								fx = 10 MHz	fx = 20 MHz	
0	0	0	0	0	0	0	0	2 ⁸ /fx max.	25.6 μs max.	12.8 μs max.
1	0	0	0	0	0	0	0	2 ⁸ /fx min.	25.6 μs min.	12.8 μs min.
1	1	0	0	0	0	0	0	2 ⁹ /fx min.	51.2 μs min.	25.6 μs min.
1	1	1	0	0	0	0	0	2 ¹⁰ /fx min.	102 μs min.	51.2 μs min.
1	1	1	1	0	0	0	0	2 ¹¹ /fx min.	204 μs min.	102 μs min.
1	1	1	1	1	0	0	0	2 ¹³ /fx min.	819 μs min.	409 μs min.
1	1	1	1	1	1	0	0	2 ¹⁵ /fx min.	3.27 ms min.	1.63 ms min.
1	1	1	1	1	1	1	0	2 ¹⁷ /fx min.	13.1 ms min.	6.55 ms min.
1	1	1	1	1	1	1	1	2 ¹⁸ /fx min.	26.2 ms min.	13.1 ms min.

Caution 1. After the above time has elapsed, the bits are set to 1 in order from the MOST8 bit and remain 1.

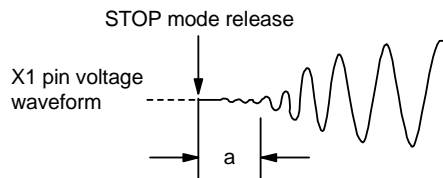
Caution 2. The oscillation stabilization time counter counts up to the oscillation stabilization time set by the oscillation stabilization time select register (OSTS).

In the following cases, set the oscillation stabilization time of the OSTS register to the value greater than the count value which is to be checked by the OSTC register.

- If the X1 clock starts oscillation while the high-speed on-chip oscillator clock or subsystem clock is being used as the CPU clock.
- If the STOP mode is entered and then released while the high-speed on-chip oscillator clock is being used as the CPU clock with the X1 clock oscillating.

(Note, therefore, that only the status up to the oscillation stabilization time set by the OSTS register is set to the OSTC register after the STOP mode is released.)

Caution 3. The X1 clock oscillation stabilization wait time does not include the time until clock oscillation starts (“a” below).



Remark fx: X1 clock oscillation frequency

6.3.7 Oscillation stabilization time select register (OSTS)

This register is used to select the X1 clock oscillation stabilization wait time.

When the X1 clock is made to oscillate by clearing the MSTOP bit to start the X1 oscillation circuit operating, actual operation is automatically delayed for the time set in the OSTS register.

When switching the CPU clock from the high-speed on-chip oscillator clock or the subsystem clock to the X1 clock, and when using the high-speed on-chip oscillator clock for switching the X1 clock from the oscillating state to STOP mode, use the oscillation stabilization time counter status register (OSTC) to confirm that the desired oscillation stabilization time has elapsed after release from the STOP mode. That is, use the OSTC register to check that the oscillation stabilization time corresponding to its setting has been reached.

The OSTS register can be set by an 8-bit memory manipulation instruction.

Reset signal generation sets the OSTS register to 07H.

Figure 6 - 8 Format of Oscillation stabilization time select register (OSTS)

Address: FFFA3H After reset: 07H R/W

Symbol	7	6	5	4	3	2	1	0
OSTS	0	0	0	0	0	OSTS2	OSTS1	OSTS0

OSTS2	OSTS1	OSTS0	Oscillation stabilization time selection	
			$f_x = 10 \text{ MHz}$	$f_x = 20 \text{ MHz}$
0	0	0	$2^9/f_x$	25.6 μs
0	0	1	$2^9/f_x$	51.2 μs
0	1	0	$2^{10}/f_x$	102 μs
0	1	1	$2^{11}/f_x$	204 μs
1	0	0	$2^{13}/f_x$	819 μs
1	0	1	$2^{15}/f_x$	3.27 ms
1	1	0	$2^{17}/f_x$	13.1 ms
1	1	1	$2^{18}/f_x$	26.2 ms

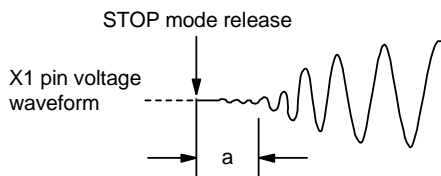
Caution 1. Change the setting of the OSTS register before setting the MSTOP bit of the clock operation status control register (CSC) to 0.

Caution 2. The oscillation stabilization time counter counts up to the oscillation stabilization time set by the OSTS register.

In the following cases, set the oscillation stabilization time of the OSTS register to the value greater than the count value which is to be checked by the OSTC register after the oscillation starts.

- If the X1 clock starts oscillation while the high-speed on-chip oscillator clock or subsystem clock is being used as the CPU clock.
- If the STOP mode is entered and then released while the high-speed on-chip oscillator clock is being used as the CPU clock with the X1 clock oscillating. (Note, therefore, that only the status up to the oscillation stabilization time set by the OSTS register is set to the OSTC register after the STOP mode is released.)

Caution 3. The X1 clock oscillation stabilization wait time does not include the time until clock oscillation starts (“a” below).



Remark f_x : X1 clock oscillation frequency

6.3.8 Subsystem clock select register (CKSEL)

The CKSEL register is used to select the sub clock or low-speed on-chip oscillator clock as the subsystem clock. The CKSEL register can be set by a 1-bit or an 8-bit memory manipulation instruction. Reset signal generation sets this register to 00H.

Figure 6 - 9 Format of Subsystem clock select register (CKSEL)

Address: FFFA7H After reset: 00H R/W

Symbol	7	6	5	4	3	2	1	<0>
CKSEL	0	0	0	0	0	0	0	SELLOSC

SELLOSC	Selection of subsystem clock (f_{SUB})
0	Sub clock (f_{SX})
1	Low-speed on-chip oscillator clock (f_{IL}) ^{Note}

Note Do not set SELLOSC to 1 when the sub clock (f_{SX}) operates.

Caution When changing SELLOSC, be sure to set CSS to 0 (f_{MAIN} selected) and change the value of SELLOSC while CLS is 0.

6.3.9 Peripheral enable registers 0, 1, 2 (PER0, PER1, PER2)

These registers are used to enable or disable supplying the clock to the peripheral hardware. Clock supply to the hardware that is not used is also stopped so as to decrease the power consumption and noise.

To use the peripheral functions below, which are controlled by these registers, set (1) the bit corresponding to each function before specifying the initial settings of the peripheral functions.

- Timer array unit
- Serial array unit 0
- Serial array unit 1
- Serial interface IICA0
- 10-bit A/D converter
- IrDA
- 24-bit $\Delta\Sigma$ A/D converter
- DTC
- Frequency measurement circuit
- Independent power supply real-time clock
- 32-bit multiplier and accumulator
- Oscillation stop detection circuit
- 12-bit interval timer

The PER0, PER1, and PER2 registers can be set by a 1-bit or an 8-bit memory manipulation instruction. Reset signal generation clears these registers to 00H.

Figure 6 - 10 Format of Peripheral enable register 0 (PER0)

Address: F00F0H After reset: 00H R/W

Symbol 7 <6> <5> <4> <3> <2> 1 <0>

PER0	0	IRDAEN	ADCEN	IICA0EN	SAU1EN	SAU0EN	0	TAU0EN
------	---	--------	-------	---------	--------	--------	---	--------

IRDAEN	Control of IrDA input clock supply	
0	Stops input clock supply. • SFR used by IrDA cannot be written. The read value is 00H. However, the SFR is not initialized. <i>Note 1</i>	
1	Enables input clock supply. • SFR used by IrDA can be read and written.	

ADCEN	Control of A/D converter input clock supply	
0	Stops input clock supply. • SFR used by the A/D converter cannot be written. The read value is 00H. However, the SFR is not initialized. <i>Note 2</i>	
1	Enables input clock supply. • SFR used by the A/D converter can be read and written.	

IICA0EN	Control of serial interface IICA0 input clock supply	
0	Stops input clock supply. • SFR used by the serial interface IICA0 cannot be written. The read value is 00H. However, the SFR is not initialized. <i>Note 3</i>	
1	Enables input clock supply. • SFR used by the serial interface IICA0 can be read and written.	

SAU1EN	Control of serial array unit 1 input clock supply	
0	Stops input clock supply. • SFR used by the serial array unit 1 cannot be written. The read value is 00H. However, the SFR is not initialized. <i>Note 4</i>	
1	Enables input clock supply. • SFR used by the serial array unit 1 can be read and written.	

SAU0EN	Control of serial array unit 0 input clock supply	
0	Stops input clock supply. • SFR used by the serial array unit 0 cannot be written. The read value is 00H. However, the SFR is not initialized. <i>Note 5</i>	
1	Enables input clock supply. • SFR used by the serial array unit 0 can be read and written.	

TAU0EN	Control of timer array unit 0 input clock supply	
0	Stops input clock supply. • SFR used by the timer array unit 0 cannot be written. The read value is 00H. However, the SFR is not initialized. <i>Note 6</i>	
1	Enables input clock supply. • SFR used by the timer array unit 0 can be read and written.	

- Note 1.** To initialize the IrDA and the SFR used by the IrDA, use bit 6 (IRDARES) of PRR0.
- Note 2.** To initialize the A/D converter and the SFR used by the A/D converter, use bit 5 (ADCRES) of PRR0.
- Note 3.** To initialize the serial interface IICA0 and the SFR used by the serial interface IICA0, use bit 4 (IICA0RES) of PRR0.
- Note 4.** To initialize the serial array unit 1 and the SFR used by the serial array unit 1, use bit 3 (SAU1RES) of PRR0.
- Note 5.** To initialize the serial array unit 0 and the SFR used by the serial array unit 0, use bit 2 (SAU0RES) of PRR0.
- Note 6.** To initialize the timer array unit 0 and the SFR used by the timer array unit 0, use bit 0 (TAU0RES) of PRR0.
- Caution 1.** Be sure to clear the following bits to 0.
Bits 1 and 7
- Caution 2.** Do not change the target bit in the PER0 register while operation of each peripheral function is enabled. Change the setting specified by PER0 while operation of each peripheral function assigned to PER0 is stopped.

Figure 6 - 11 Format of Peripheral enable register 1 (PER1)

Address: F00FAH After reset: 00H R/W

Symbol 7 <6> 5 4 <3> 2 1 <0>

PER1	0	FMCEN	0	0	DTCEN	0	0	DSADCEN
------	---	-------	---	---	-------	---	---	---------

FMCEN	Control of frequency measurement circuit input clock supply
0	Stops input clock supply. • SFR used by the frequency measurement circuit cannot be written. The read value is 00H. • The frequency measurement circuit is in the reset state.
1	Enables input clock supply. • SFR used by the frequency measurement circuit can be read and written.

DTCEN	Control of DTC input clock supply
0	Stops input clock supply. • DTC cannot run.
1	Enables input clock supply. • DTC can run.

DSADCEN	Control of 24-bit $\Delta\Sigma$ A/D converter input clock supply
0	Stops input clock supply. • SFR used by the 24-bit $\Delta\Sigma$ A/D converter cannot be written. The read value is 00H. However, the SFR is not initialized. <i>Note</i>
1	Enables input clock supply. • SFR used by the 24-bit $\Delta\Sigma$ A/D converter can be read and written.

Note To initialize the 24-bit $\Delta\Sigma$ A/D converter and the SFR used by the 24-bit $\Delta\Sigma$ A/D converter, use bit 0 (DSADRES) of PRR1.

Caution 1. Be sure to clear the following bits to 0.

Bits 1, 2, 4, 5 and 7

Caution 2. Do not change the target bit in the PER1 register while operation of each peripheral function is enabled. Change the setting specified by PER1 while operation of each peripheral function assigned to PER1 is stopped.

Figure 6 - 12 Format of Peripheral enable register 2 (PER2)

Address: F00FCH After reset: 00H R/W

Symbol <7> <6> 5 4 3 <2> 1 <0>

PER2	TMKAEN	OSDCEN	0	0	0	MACEN	0	VRTCEN
------	--------	--------	---	---	---	-------	---	--------

TMKAEN	Control of 12-bit interval timer input clock supply
0	Stops input clock supply. • SFR used by the 12-bit interval timer cannot be written. The read value is 00H. However, the SFR is not initialized. <i>Note 1</i>
1	Enables input clock supply. • SFR used by the 12-bit interval timer can be read and written.

OSDCEN	Control of oscillation stop detection circuit input clock supply
0	Stops input clock supply. • SFR used by the oscillation stop detection circuit cannot be written. The read value is 00H. However, the SFR is not initialized. <i>Note 2.</i>
1	Enables input clock supply. • SFR used by the oscillation stop detection circuit can be read and written.

MACEN	Control of 32-bit multiplier and accumulator input clock supply
0	Stops input clock supply. • SFR used by the 32-bit multiplier and accumulator cannot be written. The read value is 00H. However, the SFR is not initialized. <i>Note 3</i>
1	Enables input clock supply. • SFR used by the 32-bit multiplier and accumulator can be read and written.

VRTCEN	Control of independent power supply RTC input clock supply
0	Stops input clock supply. • SFR used by the independent power supply RTC cannot be written. The read value is 00H. The sub clock (f_{sx}) clock can drive counting by the independent power supply RTC.
1	Enables input clock supply. • SFR used by the independent power supply RTC can be read and written. <i>Note 4</i>

Note 1. To initialize the 12-bit interval timer and the SFR used by the 12-bit interval timer, use bit 7 (TMKARES) of PRR2.

Note 2. To initialize the oscillation stop detection circuit and the SFR used by the oscillation stop detection circuit, use bit 6 (OSDCRES) of PRR2.

Note 3. To initialize the 32-bit multiplier and accumulator and the SFR used by the 32-bit multiplier and accumulator, use bit 2 (MACRES) of PRR2.

Note 4. Set the VRTCEN bit to 0 except during reading or writing of the SFRs of the independent power supply RTC.

Caution 1. Be sure to clear the following bits to 0.
Bits 1 and 3 to 5

Caution 2. Do not change the target bit in the PER2 register while operation of each peripheral function is enabled. Change the setting specified by PER2 while operation of each peripheral function assigned to PER2 is stopped.

6.3.10 Subsystem clock supply option control register (OSMC)

This register is used to reduce power consumption by stopping unnecessary clock functions.

<R> If the RTCLPC bit is set to 1, power consumption can be reduced, because clock supply to the peripheral functions, except the independent power supply RTC, 12-bit interval timer, 8-bit interval timer, clock output/buzzer output controller, LCD controller/driver, oscillation stop detection circuit, and frequency measurement circuit is stopped in STOP mode or HALT mode while sub clock (f_{sx}) is selected as CPU clock.

In addition, the OSMC register can be used to select the operating clock of the 12-bit interval timer, 8-bit interval timer, clock output/buzzer output controller, LCD controller/driver, and frequency measurement circuit.

<R> The OSMC register can be set by an 8-bit memory manipulation instruction or a 1-bit memory manipulation instruction.

Reset signal generation clears this register to 00H.

Figure 6 - 13 Format of Subsystem clock supply option control register (OSMC)

Address: F00F3H After reset: 00H R/W ^{Note 1}

Symbol <7> 6 5 <4> 3 2 1 0

OSMC	RTCLPC	0	0	WUTMMCK0	0	0	0	0
------	--------	---	---	----------	---	---	---	---

RTCLPC ^{Note 4}	Setting in STOP mode or HALT mode while sub clock (f_{sx}) is selected as CPU clock
0	Enables supply of sub clock (f_{sx}) to peripheral functions (See Tables 26 - 1 to 26 - 3 for peripheral functions whose operations are enabled.)
1	Stops supply of sub clock (f_{sx}) to peripheral functions other than the independent power supply RTC, 12-bit interval timer, 8-bit interval timer, clock output/buzzer output controller, LCD controller/driver, oscillation stop detection circuit, and frequency measurement circuit.

WUTMMCK0	Selection of the operating clock for the 12-bit interval timer, 8-bit interval timer, LCD controller/driver, and frequency measurement circuit	Selection of the count operation/stop trigger clock for the frequency measurement circuit	Selection of the output clock for the clock output/buzzer output controller
0	Sub clock (f_{sx})	Sub clock (f_{sx}) selected	Sub clock (f_{sx})
1	Low-speed on-chip oscillator clock (f_{il}) ^{Notes 2, 3, 6, 7}	Low-speed on-chip oscillator clock (f_{il}) selected ^{Note 6}	Clock output is prohibited. ^{Note 5}

Note 1. Be sure to set bits 0 to 3, 5, and 6 to 0.

Note 2. Do not set the WUTMMCK0 bit to 1 while the sub clock (f_{sx}) is oscillating.

Note 3. Switching between the sub clock (f_{sx}) and the low-speed on-chip oscillator clock (f_{il}) can be enabled by the WUTMMCK0 bit only when all of the 12-bit interval timer, 8-bit interval timer, clock output/buzzer output controller, LCD controller/driver, and frequency measurement circuit are stopped.

Note 4. When the sub clock (f_{sx}) is selected (SELLOSC = 0) by bit 0 (SELLOSC) of the CKSEL register and RTCLPC is set to 1, the subsystem clock (f_{SUB}) is stopped. However, when the low-speed on-chip oscillator clock is selected (SELLOSC = 1) and RTCLPC is set to 1, the subsystem clock (f_{SUB}) is not stopped.

Note 5. When the WUTMMCK0 bit is set to 1, clock output from the PCLBUZn pin is prohibited.

Note 6. When the WUTMMCK0 bit is set to 1, the low-speed on-chip oscillator clock (f_{il}) oscillates.

Note 7. When the WUTMMCK0 bit is set to 1, internal voltage boosting cannot be used for the LCD drive voltage generator of the LCD controller/driver.

6.3.11 High-speed on-chip oscillator frequency select register (HOCODIV)

The frequency of the high-speed on-chip oscillator which is set by an option byte (000C2H) can be changed by using high-speed on-chip oscillator frequency select register (HOCODIV). However, the selectable frequency depends on the FRQSEL3 bit of the option byte (000C2H).

The HOCODIV register can be set by an 8-bit memory manipulation instruction.

Reset signal generation clears this register to the value set by FRQSEL2 to FRQSEL0 of the option byte (000C2H).

Figure 6 - 14 Format of High-speed on-chip oscillator frequency select register (HOCODIV)

Address: F00A8H After reset: the value set by FRQSEL2 to FRQSEL0 of the option byte (000C2H) R/W

Symbol	7	6	5	4	3	2	1	0
HOCODIV	0	0	0	0	0	HOCODIV2	HOCODIV1	HOCODIV0

HOCODIV2	HOCODIV1	HOCODIV0	Selection of high-speed on-chip oscillator clock frequency	
			FRQSEL3 = 0	FRQSEL3 = 1 ^{Note 2}
0	0	0	$f_{IH} = 24 \text{ MHz}$ ^{Note 1}	Setting prohibited ^{Note 1}
0	0	1	$f_{IH} = 12 \text{ MHz}$	$f_{IH} = 16 \text{ MHz}$ ^{Note 2}
0	1	0	$f_{IH} = 6 \text{ MHz}$	$f_{IH} = 8 \text{ MHz}$ ^{Note 2}
0	1	1	$f_{IH} = 3 \text{ MHz}$	$f_{IH} = 4 \text{ MHz}$ ^{Note 2}
1	0	0	$f_{IH} = 1.5 \text{ MHz}$	$f_{IH} = 2 \text{ MHz}$ ^{Note 2}
1	0	1	Setting prohibited	$f_{IH} = 1 \text{ MHz}$ ^{Note 2}
Other than above			Setting prohibited	

Note 1. When 32 MHz is selected for the CPU/peripheral hardware clock (f_{CLK}), set the high-speed on-chip oscillator clock (f_{IH}) to 24 MHz and select the PLL clock (32 MHz).

Note 2. When the high-speed on-chip oscillator clock (f_{IH}) is selected as the operating clock for the 24-bit $\Delta\Sigma$ A/D converter (the DSADCK bit in the PCKC register is set to 0), the 24-bit $\Delta\Sigma$ A/D converter cannot be used.

Caution 1. Set the HOCODIV register within the operable voltage range of the flash operation mode set in the option byte (000C2H) before and after the frequency change.

Option Byte (000C2H) Value		Flash Operation Mode	Operating Frequency Range	Operating Voltage Range
CMODE1	CMODE0			
0	1	LP (low-power main) mode	1 MHz	1.9 to 5.5 V
0	0	LV (low-voltage main) mode	1 to 4 MHz	1.7 to 5.5 V
1	0	LS (low-speed main) mode	1 to 8 MHz	1.9 to 5.5 V
1	1	HS (high-speed main) mode	1 to 12 MHz	2.4 to 5.5 V
			1 to 16 MHz	2.5 to 5.5 V
			1 to 24 MHz	2.7 to 5.5 V
			1 to 32 MHz	2.8 to 5.5 V
Other than above		Setting prohibited		

Caution 2. Set the HOCODIV register with the high-speed on-chip oscillator clock (f_{IH}) selected as the CPU/peripheral hardware clock (f_{CLK}).

Caution 3. After the frequency is changed with the HOCODIV register, the frequency is switched after the following transition time has elapsed.

- Operation for up to three clocks at the pre-change frequency
- CPU/peripheral hardware clock wait at the post-change frequency for up to three clocks

6.3.12 Middle-speed on-chip oscillator frequency select register (MOCODIV)

The MOCODIV register is used to select the division ratio of the middle-speed on-chip oscillator.

The MOCODIV register can be set by an 8-bit memory manipulation instruction.

Reset signal generation clears this register to 00H.

Figure 6 - 15 Format of Middle-speed on-chip oscillator frequency select register (MOCODIV)

Address: F00F2H After reset: 00H R/W

Symbol <7> 6 5 <4> <3> 2 1 0

MOCODIV	0	0	0	0	0	0	MOCODIV1	MOCODIV0
---------	---	---	---	---	---	---	----------	----------

MOCODIV1	MOCODIV0	Selection of middle-speed on-chip oscillator clock frequency
0	0	4 MHz
0	1	2 MHz
1	0	1 MHz
Other than above		Setting prohibited

6.3.13 Frequency measurement clock select register (FMCKS)

The FMCKS register is used to select the operating clock and frequency count clock to be input to the frequency measurement circuit.

The FMCKS register can be used by a 1-bit or an 8-bit memory manipulation instruction.

Reset signal generation clears the FMCKS register to 00H.

Figure 6 - 16 Format of Frequency measurement clock select register (FMCKS)

Address: F007AH After reset: 00H R/W

Symbol 7 6 5 4 3 2 1 0

FMCKS	0	0	0	0	0	0	FMCKSEL1	FMCKSEL0
-------	---	---	---	---	---	---	----------	----------

FMCKSEL1	FMCKSEL0	Selection of frequency count clock
0	0	fmx selected
0	1	fim selected
1	x	fiH selected

6.3.14 PLL control register (DSCCTL)

This register is used to control operation of the PLL oscillator.

To select 32 MHz for the CPU/peripheral hardware clock (f_{CLK}) while the high-speed on-chip oscillator clock (f_{IH}) is selected as the operating clock for the 24-bit $\Delta\Sigma$ A/D converter (the DSADCK bit in the PCKC register is set to 0), divide the high-speed on-chip oscillator clock ($f_{IH} = 24$ MHz) by 6 to obtain the 4-MHz PLL reference clock. After that, select multiplication by 16 and division by 2 for the PLL (multiplication by 8) to obtain a 32-MHz clock signal from the PLL (f_{PLL}).

The DSCCTL register can be set by a 1-bit or an 8-bit memory manipulation instruction.

Reset signal generation clears this register to 00H.

Figure 6 - 17 Format of PLL control register (DSCCTL)

Address: F02E5H	After reset: 00H	R/W						
Symbol	7	6	5	4	3	2	1	0
DSCCTL	0	0	0	0	DSFRDIV1	DSFRDIV0	DSCM	DSCON
	DSFRDIV1		DSFRDIV0		Control over frequency division of the PLL reference clock <small>Notes 3, 4</small>			
	1		1		Frequency division by 6 ($f_{IH}/6$)			
	Other than above		Setting prohibited					
	DSCM				Selection of multiplication by the PLL <small>Note 1</small>			
	1				Multiplication by 16 and division by 2 (multiplication by 8)			
	Other than above				Setting prohibited			
	DSCON				Control of PLL oscillation and output <small>Note 5</small>			
	0				PLL stops			
	1				PLL oscillates and the result is output <small>Note 2</small>			

Note 1. The multiplier in parentheses “()” is because of division by 2 at the last stage of the PLL oscillator.

Note 2. After the PLL starts operation, at least 40 μ s of waiting for lock-up is required for the frequency to become stable.

Note 3. Do not change the division setting of the PLL reference clock while the PLL is operating. Stop the PLL before changing the setting.

Note 4. The only signal used as the PLL reference clock is f_{IH} , which runs at 24 MHz.

Note 5. When making a transition to the STOP mode, switch to the high-speed on-chip oscillator clock ($f_{IH} = 24$ MHz) and stop the PLL.

Caution Be sure to clear bits 4 to 7 to 0.

6.3.15 Main clock control register (MCKC)

This register is used to control the operation of the main clock.

The MCKC register can be set by a 1-bit or an 8-bit memory manipulation instruction.

Reset signal generation clears this register to 00H.

Figure 6 - 18 Format of Main clock control register (MCKC)

<R>

Address: F02E6H After reset: 00H R/W^{Note 1}

Symbol 7 6 5 4 3 2 1 0

MCKC	CKSTR	0	0	0	0	0	0	0	CKSELR
------	-------	---	---	---	---	---	---	---	--------

<R>

CKSTR	State of switching the main system clock (f_{MAIN})
0	On-chip oscillator clock (f_{OCO})/high-speed system clock (f_{MX}) ^{Note 2}
1	PLL clock (f_{PLL})

<R>

<R>

CKSELR	Selection of the main system clock (f_{MAIN})
0	On-chip oscillator clock (f_{OCO})/high-speed system clock (f_{MX}) ^{Note 2}
1	PLL clock (f_{PLL}) ^{Note 3}

<R>

<R>

Note 1. Bit 7 is Read only.

<R>

Note 2. Select with the bit 4 (MCM0) of the system clock control register (CKC).

Note 3. The high-speed on-chip oscillator clock must not be stopped while the PLL is selected.

Caution Be sure to clear bits 1 to 6 to 0.

<R>

Remark Because the MCM0 bit is given priority in the case of the conflict between MCM0 and CKSELR bits, the main system clock is selected.

6.3.16 Peripheral clock control register (PCKC)

This register is used to select the peripheral clock (operating clock for the 24-bit $\Delta\Sigma$ A/D converter or operating clock for the PLL).

When this is used as the operating clock for the 24-bit $\Delta\Sigma$ A/D converter, only the 12-MHz crystal resonator can be used as the high-speed system clock (f_{MX}).

The PCKC register can be set by a 1-bit or an 8-bit memory manipulation instruction.

Reset signal generation clears this register to 00H.

Figure 6 - 19 Format of Peripheral clock control register (PCKC)

Address:F0098H	After reset: 00H	R/W						
Symbol	7	6	5	4	3	2	<1>	<0>
PCKC	0	0	0	0	0	0	PLLCK	DSADCK
PLLCK	Control of operating clock supplied to the PLL							
0	Stops supply of the high-speed on-chip oscillator clock (f_{IH}).							
1	Enables supply of the high-speed on-chip oscillator clock (f_{IH}).							
DSADCK	Selection of operating clock for the 24-bit $\Delta\Sigma$ A/D converter							
0	Enables supply of the high-speed on-chip oscillator clock (f_{IH}) ^{Notes 2, 3} (stops supply of f_{MX}).							
1	Enables supply of the high-speed system clock (f_{MX}). ^{Note 1}							

Note 1. Only the 12-MHz crystal resonator can be used as the high-speed system clock (f_{MX}).

Note 2. When the high-speed on-chip oscillator clock (f_{IH}) is to be selected, set f_{IH} to 24, 12, 6, 3, or 1.5 MHz (FRQSEL3 = 0).

Note 3. Even when the PLL clock (f_{PLL}) is selected as the CPU/peripheral hardware clock (f_{CLK}), the high-speed oscillator clock ($f_{IH} = 24$ MHz) is supplied as the operating clock for the 24-bit $\Delta\Sigma$ A/D converter.

6.4 System Clock Oscillator

6.4.1 X1 oscillator

The X1 oscillator oscillates with a crystal resonator or ceramic resonator (1 to 20 MHz) connected to the X1 and X2 pins.

An external clock can also be input. In this case, input the clock signal to the EXCLK pin.

To use the X1 oscillator, set bits 7 and 6 (EXCLK, OSCSEL) of the clock operation mode control register (CMC) as follows.

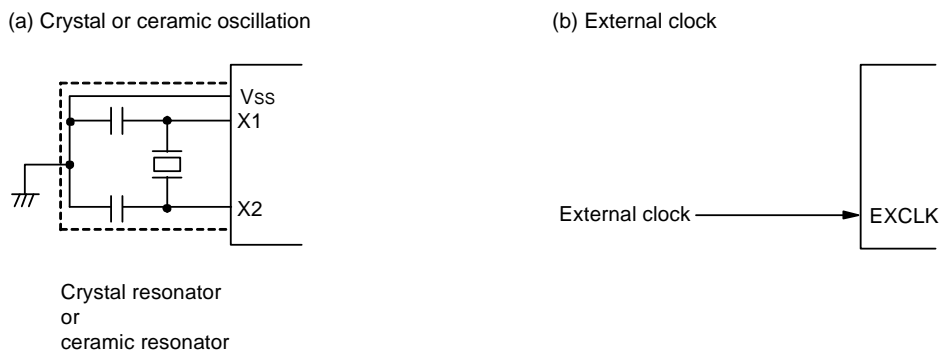
- Crystal or ceramic oscillation: EXCLK, OSCSEL = 0, 1
- External clock input: EXCLK, OSCSEL = 1, 1

When the X1 oscillator is not used, set the input port mode (EXCLK, OSCSEL = 0, 0).

When the pins are not used as input port pins, either, see **Table 2 - 3 Connection of Unused Pins**.

Figure 6 - 20 shows an example of the external circuit of the X1 oscillator.

Figure 6 - 20 Example of External Circuit of X1 Oscillator



Caution is listed on the next page.

6.4.2 XT1 oscillator

The XT1 oscillator oscillates with a crystal resonator (32.768 kHz (TYP.)) connected to the XT1 and XT2 pins.

To use the XT1 oscillator, after turning on the power supply to the VRRTC pin and release from the RTC power-on reset, set both bit 4 (OSCSELS) of the sub clock operation mode control register (SCMC) and bit 4 (XT1SELEN) of the clock operation mode control register (CMC) to 1.

An external clock can also be input. In this case, input the clock signal to the EXCLKS pin.

To use the XT1 oscillator, after turning on the power supply to the VRRTC pin and release from the RTC power-on reset, set bits 5 and 4 (EXCLKS, OSCSELS) of the sub clock operation mode control register (SCMC) and bit 4 (XT1SELEN) of the clock operation mode control register (CMC) as follows.

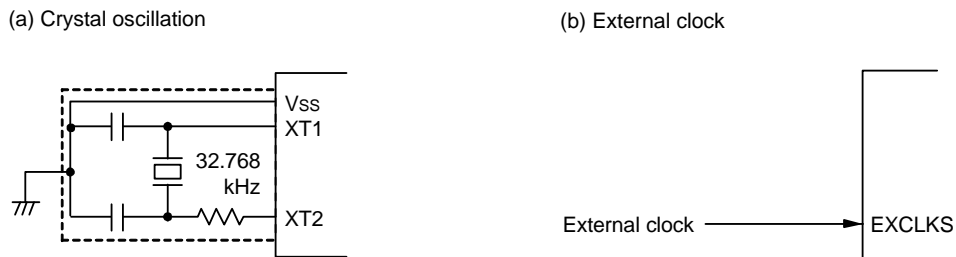
- Crystal oscillation: EXCLKS, OSCSELS = 0, 1, XT1SELEN = 1
- External clock input: EXCLKS, OSCSELS = 1, 1, XT1SELEN = 1

When the XT1 oscillator is not used, set the input port mode (EXCLKS, OSCSELS = 0, 0).

When the pins are not used as input port pins, either, see **Table 2 - 3 Connection of Unused Pins**.

Figure 6 - 21 shows an example of the external circuit of the XT1 oscillator.

Figure 6 - 21 Example of External Circuit of XT1 Oscillator



Caution When using the X1 oscillator and XT1 oscillator, wire as follows in the area enclosed by the broken lines in the Figures 6 - 20 and 6 - 21 to avoid an adverse effect from wiring capacitance.

- Keep the wiring length as short as possible.
- Do not cross the wiring with the other signal lines. Do not route the wiring near a signal line through which a high fluctuating current flows.
- Always make the ground point of the oscillator capacitor the same potential as Vss. Do not ground the capacitor to a ground pattern through which a high current flows.
- Do not fetch signals from the oscillator.

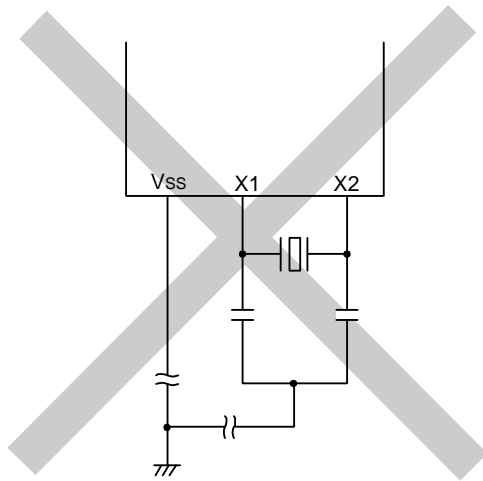
The XT1 oscillator is a circuit with low amplification in order to achieve low-power consumption. Note the following points when designing the circuit.

- Pins and circuit boards include parasitic capacitance. Therefore, perform oscillation evaluation using a circuit board to be actually used and confirm that there are no problems.
- When using the ultra-low power consumption oscillation (AMPHS1, AMPHS0 = 1, 0) as the mode of the XT1 oscillator, evaluate the resonators described in 6.7 Resonator and Oscillator Constants.
- Make the wiring between the XT1 and XT2 pins and the resonators as short as possible, and minimize the parasitic capacitance and wiring resistance. Note this particularly when the ultra-low power consumption oscillation (AMPHS1, AMPHS0 = 1, 0) is selected.
- Configure the circuit of the circuit board, using material with little wiring resistance.
- Place a ground pattern that has the same potential as Vss as much as possible near the XT1 oscillator.
- Be sure that the signal lines between the XT1 and XT2 pins, and the resonators do not cross with the other signal lines. Do not route the wiring near a signal line through which a high fluctuating current flows.
- The impedance between the XT1 and XT2 pins may drop and oscillation may be disturbed due to moisture absorption of the circuit board in a high-humidity environment or dew condensation on the board. When using the circuit board in such an environment, take measures to damp-proof the circuit board, such as by coating.
- When coating the circuit board, use material that does not cause capacitance or leakage between the XT1 and XT2 pins.

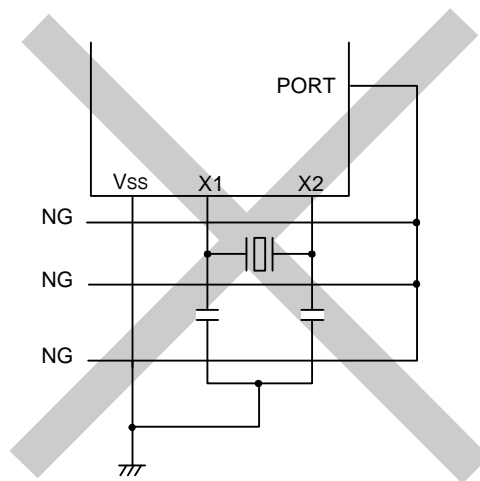
Figure 6 - 22 shows examples of incorrect resonator connection.

Figure 6 - 22 Examples of Incorrect Resonator Connection (1/2)

(a) Too long wiring

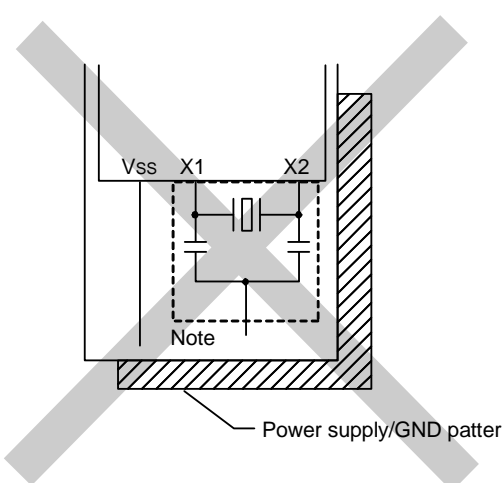
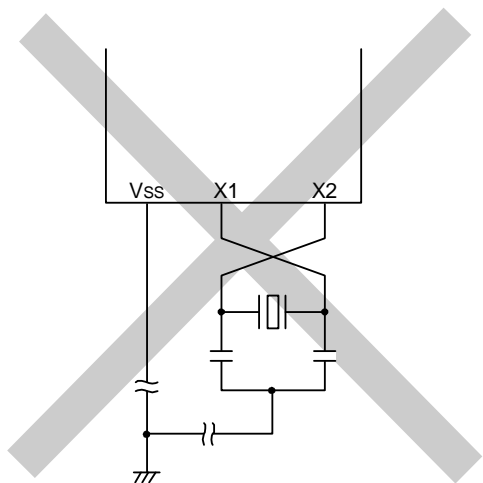


(b) Crossed signal line



(c) The X1 and X2 signal line wires cross.

(d) A power supply/GND pattern exists under the X1 and X2 wires.

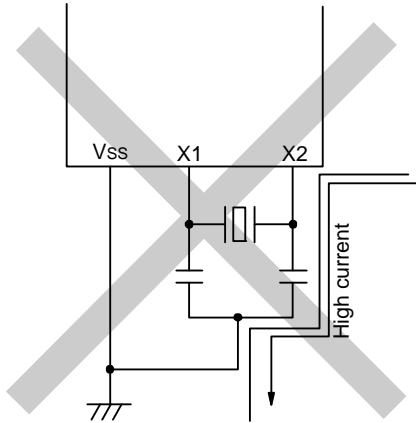


Note Do not place a power supply/GND pattern under the wiring section (section indicated by a broken line in the figure) of the X1 and X2 pins and the resonators in a multi-layer board or double-sided board.
Do not configure a layout that will cause capacitance elements and affect the oscillation characteristics.

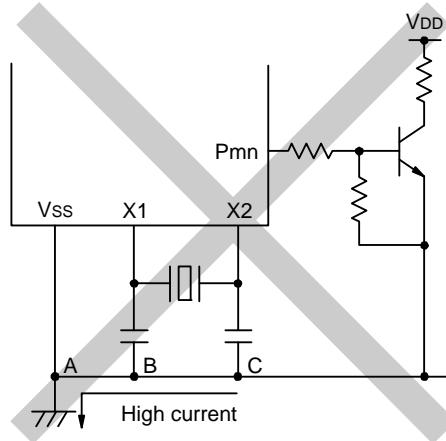
Remark When using the subsystem clock, replace X1 and X2 with XT1 and XT2, respectively. Also, insert resistors in series on the XT2 side.

Figure 6 - 22 Examples of Incorrect Resonator Connection (2/2)

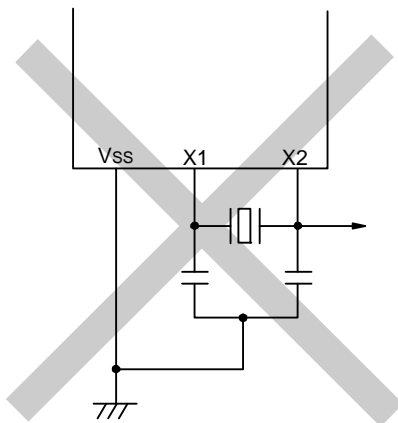
(e) Wiring near high alternating current



(f) Current flowing through ground line of oscillator
(potential at points A, B, and C fluctuates)



(g) Signals are fetched



Caution When X2 and XT1 are wired in parallel, the crosstalk noise of X2 may increase with XT1, resulting in malfunctioning.

Remark When using the subsystem clock, replace X1 and X2 with XT1 and XT2, respectively. Also, insert resistors in series on the XT2 side.

6.4.3 High-speed on-chip oscillator

The high-speed on-chip oscillator is incorporated in the RL78/I1C. The frequency can be selected from among 24, 16, 12, 8, 6, 4, 3, 2, 1.5, or 1 MHz by using the option byte (000C2H). Oscillation can be controlled by bit 0 (HIOSTOP) of the clock operation status control register (CSC).

The high-speed on-chip oscillator automatically starts oscillating after reset release.

6.4.4 Middle-speed on-chip oscillator

The middle-speed on-chip oscillator is incorporated in the RL78/I1C. Oscillation can be controlled by bit 1 (MIOEN) of the clock operation status control register (CSC).

6.4.5 Low-speed on-chip oscillator

The low-speed on-chip oscillator is incorporated in the RL78/I1C.

The low-speed on-chip oscillator operates when one or more of bit 4 (WDTON) of the option byte (000C0H), bit 4 (WUTMMCK0) of the subsystem clock supply option control register (OSMC), and bit 0 of the subsystem clock select register (CKSEL) are 1.

The low-speed on-chip oscillator continues oscillation under any condition other than when the watchdog time is stopped and WUTMMCK0 = 0. Note that only when the watchdog timer is operating and the WUTMMCK0 bit is 0, and SELLOSC = 0, the low-speed on-chip oscillator stops oscillation while WDSTBYON = 0 in HALT, STOP, or SNOOZE mode. The low-speed on-chip oscillator clock does not stop even if a program runs out of control when the watchdog timer operates.

6.4.6 Phase-locked loop (PLL)

The RL78/I1C incorporates a PLL circuit.

The high-speed on-chip oscillator clock (f_{IH} = 24 MHz) is divided by 6 to obtain the 4-MHz PLL reference clock and then multiplied by 16 and divided by 2 (multiplied by 8) to obtain a 32-MHz clock signal from the PLL (f_{PLL}). Operation is controlled by bit 0 (DSCON) in the PLL control register (DSCCTL).

Caution When making a transition to the STOP mode, switch to the high-speed on-chip oscillator clock and stop the PLL. Do not stop the high-speed on-chip oscillator clock while the PLL is in use.

6.5 Clock Generator Operation

The clock generator generates the following clocks and controls the operation modes of the CPU, such as standby mode (see **Figure 6 - 1**).

CPU/peripheral hardware clock f_{CLK}

(1) Main system clock f_{MAIN}

(1-1) High-speed system clock f_{MX}

- X1 clock f_X
- External main system clock f_{EX}

(1-2) Main on-chip oscillator clock f_{OCO}

- High-speed on-chip oscillator clock f_{IH}
- Middle-speed on-chip oscillator clock f_{IM}

(1-3) PLL clock f_{PLL}

(2) Subsystem clock f_{SUB}

(2-1) Sub clock f_{SX}

- XT1 clock f_{XT}
- External subsystem clock f_{XS}

(2-2) Low-speed on-chip oscillator clock f_{IL}

Clock for the peripheral hardware

(1) Clock for the watchdog timer

- Low-speed on-chip oscillator clock f_{IL}

(2) Clock for the independent power supply RTC

- Sub clock f_{SX}

(3) Clock for the 12-bit interval timer, 8-bit interval timer, LCD controller/driver, oscillation stop detection circuit, frequency measurement circuit, and clock output/buzzer output controller

- Sub clock f_{SX}
- Low-speed on-chip oscillator clock f_{IL}

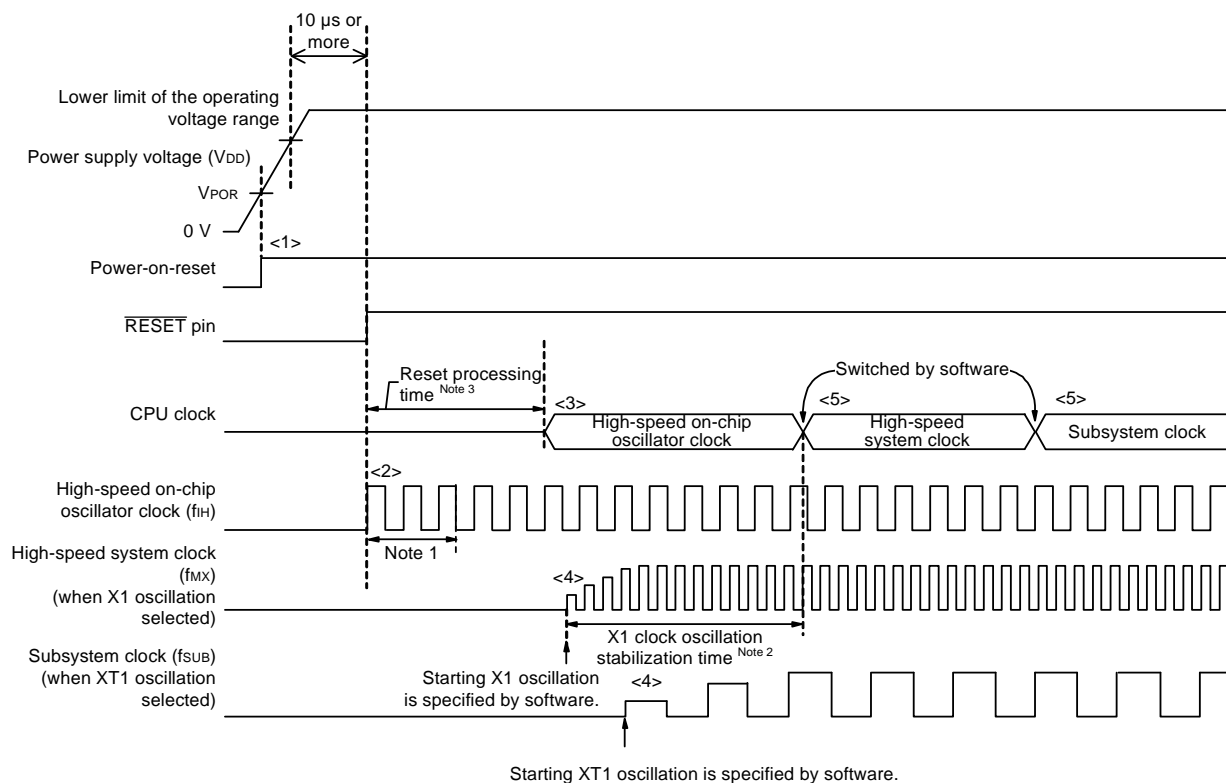
(4) Operating clock for the 24-bit $\Delta\Sigma$ A/D converter

- High-speed on-chip oscillator clock f_{IH}
- High-speed system clock f_{MX}

The CPU starts operation when the high-speed on-chip oscillator starts outputting after a reset release in the RL78/I1C.

When the power supply voltage is turned on, the clock generator operation is shown in Figure 6 - 23.

Figure 6 - 23 Clock Generator Operation When Power Supply Voltage Is Turned On



- <1> When the power is turned on, an internal reset signal is generated by the power-on-reset (POR) circuit. Note that the reset state is maintained after a reset by the voltage detection circuit or an external reset until the voltage reaches the range of operating voltage described in **41.4 AC Characteristics** (the above figure is an example when the external reset is in use).
- <2> When the reset is released, the high-speed on-chip oscillator automatically starts oscillation.
- <3> The CPU starts operation on the high-speed on-chip oscillator clock after waiting for the voltage to stabilize and a reset processing have been performed after reset release.
- <4> Set the start of oscillation of the X1 or XT1 clock via software (see **6.6.2 Example of setting X1 oscillation clock** and **6.6.3 Example of setting XT1 oscillation clock**).
- <5> When switching the CPU clock to the X1 or XT1 clock, wait for the clock oscillation to stabilize, and then set switching via software (see **6.6.2 Example of setting X1 oscillation clock** and **6.6.3 Example of setting XT1 oscillation clock**).

- Note 1.** The internal reset processing time includes the oscillation accuracy stabilization time of the high-speed on chip oscillator clock.
- Note 2.** When releasing a reset, confirm the oscillation stabilization time for the X1 clock using the oscillation stabilization time counter status register (OSTC).
- Note 3.** For the reset processing time, see **CHAPTER 28 POWER-ON-RESET CIRCUIT**.
- Note 4.** The subsystem clock must be set after turning on the power supply to the VRTC pin and release from the RTC power-on reset.

Caution It is not necessary to wait for the oscillation stabilization time when an external clock input from the EXCLK pin is used.

6.6 Controlling Clock

6.6.1 Example of setting high-speed on-chip oscillator

After a reset release, the CPU/peripheral hardware clock (fCLK) always starts operating with the high-speed on-chip oscillator clock. The frequency of the high-speed on-chip oscillator can be selected from 24, 16, 12, 8, 6, 4, 3, 2, 1.5, and 1 MHz by using FRQSEL0 to FRQSEL3 of the option byte (000C2H). In addition, Oscillation can be changed by the high-speed on-chip oscillator frequency select register (HOCODIV).

[Option byte setting]

Address: 000C2H

Option byte (000C2H)	7	6	5	4	3	2	1	0
	CMODE1 0/1	CMODE0 0/1	1	1	FRQSEL3 0/1	FRQSEL2 0/1	FRQSEL1 0/1	FRQSEL0 0/1

CMODE1	CMODE0	Setting of flash operation mode	
0	0	LV (low-voltage main) mode	V _{DD} = 1.7 V to 5.5 V @ 1 MHz to 4 MHz
1	0	LS (low-speed main) mode	V _{DD} = 1.9 V to 5.5 V @ 1 MHz to 8 MHz
1	1	HS (high-speed main) mode	V _{DD} = 2.1 V to 5.5 V @ 1 MHz to 6 MHz V _{DD} = 2.4 V to 5.5 V @ 1 MHz to 12 MHz V _{DD} = 2.5 V to 5.5 V @ 1 MHz to 16 MHz V _{DD} = 2.7 V to 5.5 V @ 1 MHz to 24 MHz V _{DD} = 2.8 V to 5.5 V @ 1 MHz to 32 MHz
Other than above		Setting prohibited	

FRQSEL3	FRQSEL2	FRQSEL1	FRQSEL0	Frequency of the high-speed on-chip oscillator
				f _{IH}
0	0	0	0	24 MHz
1	0	0	1	16 MHz
0	0	0	1	12 MHz
1	0	1	0	8 MHz
0	0	1	0	6 MHz
1	0	1	1	4 MHz
0	0	1	1	3 MHz
1	1	0	0	2 MHz
0	1	0	0	1.5 MHz
1	1	0	1	1 MHz
Other than above				Setting prohibited

[High-speed on-chip oscillator frequency select register (HOCODIV) setting]

Address: F00A8H

Symbol	7	6	5	4	3	2	1	0
HOCODIV	0	0	0	0	0	HOCODIV2	HOCODIV1	HOCODIV0

HOCODIV2	HOCODIV1	HOCODIV0	Selection of high-speed on-chip oscillator clock frequency	
			FRQSEL3 = 0	FRQSEL3 = 1 ^{Note 2}
0	0	0	$f_{IH} = 24 \text{ MHz}$ ^{Note 1}	Setting prohibited ^{Note 1}
0	0	1	$f_{IH} = 12 \text{ MHz}$	$f_{IH} = 16 \text{ MHz}$ ^{Note 2}
0	1	0	$f_{IH} = 6 \text{ MHz}$	$f_{IH} = 8 \text{ MHz}$ ^{Note 2}
0	1	1	$f_{IH} = 3 \text{ MHz}$	$f_{IH} = 4 \text{ MHz}$ ^{Note 2}
1	0	0	$f_{IH} = 1.5 \text{ MHz}$	$f_{IH} = 2 \text{ MHz}$ ^{Note 2}
1	0	1	Setting prohibited	$f_{IH} = 1 \text{ MHz}$ ^{Note 2}
Other than above			Setting prohibited	

Note 1. When 32 MHz is selected for the CPU/peripheral hardware clock (f_{CLK}), set the high-speed on-chip oscillator clock (f_{IH}) to 24 MHz and select the PLL clock (32 MHz).

Note 2. When the high-speed on-chip oscillator clock (f_{IH}) is selected as the operating clock for the 24-bit $\Delta\Sigma$ A/D converter (the DSADCK bit in the PCKC register is set to 0), the 24-bit $\Delta\Sigma$ A/D converter cannot be used.

6.6.2 Example of setting X1 oscillation clock

After a reset release, the CPU/peripheral hardware clock (fCLK) always starts operating with the high-speed on-chip oscillator clock. To subsequently change the clock to the X1 oscillation clock, set the oscillator and start oscillation by using the oscillation stabilization time select register (OSTS), clock operation mode control register (CMC), and clock operation status control register (CSC) and wait for oscillation to stabilize by using the oscillation stabilization time counter status register (OSTC). After the oscillation stabilizes, set the X1 oscillation clock to fCLK by using the system clock control register (CKC).

[Register settings] Set the register in the order of <1> to <5> below.

- <1> Set (1) the OSCSEL bit of the CMC register, except for the cases where the fx is equal to or more than 10 MHz, in such cases set (1) the AMPH bit, to operate the X1 oscillator.

	7	6	5	4	3	2	1	0
CMC	EXCLK 0	OSCSEL 1	0	XT1SELEN 0	0	0	0	AMPH 0/1

- <2> Using the OSTS register, select the oscillation stabilization time of the X1 oscillator at releasing of the STOP mode.

Example: Setting values when a wait of at least 102 μ s is set based on a 10 MHz resonator.

	7	6	5	4	3	2	1	0
OSTS	0	0	0	0	0	OSTS2 0	OSTS1 1	OSTS0 0

- <3> Clear (0) the MSTOP bit of the CSC register to start oscillating the X1 oscillator.

	7	6	5	4	3	2	1	0
CSC	MSTOP 0	XT1SELDIS 1	0	0	0	0	MIOEN 0	HIOSTOP 0

- <4> Use the OSTC register to wait for oscillation of the X1 oscillator to stabilize.

Example: Wait until the bits reach the following values when a wait of at least 102 μ s is set based on a 10 MHz resonator.

	7	6	5	4	3	2	1	0
OSTC	MOST8 1	MOST9 1	MOST10 1	MOST11 0	MOST13 0	MOST15 0	MOST17 0	MOST18 0

- <5> Use the MCM0 bit of the CKC register to specify the X1 oscillation clock as the CPU/peripheral hardware clock.

	7	6	5	4	3	2	1	0
CKC	CLS 0	CSS 0	MCS 0	MCM0 1	0	0	MCS1 0	MCM1 0

<R>

Caution Set the HOCODIV register within the operable voltage range of the flash operation mode set in the option byte (000C2H) before and after the frequency change.

Option Byte (000C2H) Value		Flash Operation Mode	Operating Frequency Range	Operating Voltage Range
CMODE1	CMODE0			
0	1	LP (low-power main) mode	1 MHz	1.9 to 5.5 V
0	0	LV (low-voltage main) mode	1 to 4 MHz	1.7 to 5.5 V
1	0	LS (low-speed main) mode	1 to 8 MHz	1.9 to 5.5 V
1	1	HS (high-speed main) mode	1 to 12 MHz	2.4 to 5.5 V
			1 to 16 MHz	2.5 to 5.5 V
			1 to 24 MHz	2.7 to 5.5 V
			1 to 32 MHz	2.8 to 5.5 V
Other than above		Setting prohibited		

6.6.3 Example of setting XT1 oscillation clock

After release from the reset state (except that following the RTC power-on reset), the high-speed on-chip oscillator clock is always the initial CPU/peripheral hardware clock (f_{CLK}).

After turning on the power supply to the VRTC pin and release from the RTC power-on reset, the XT1 oscillator and RTC circuit can operate.

To subsequently change the CPU/peripheral hardware clock (f_{CLK}) to the XT1 oscillation clock, set the oscillator and start oscillation by using the subsystem clock supply option control register (OSMC), sub clock operation mode control register (SCMC), clock operation mode control register (CMC), clock operation status control register (CSC), and sub clock operation status control register (SCSC), set the XT1 oscillation clock to f_{CLK} by using the system clock control register (CKC).

[Register settings] Set the register in the order of <1> to <10> below.

- <1> Turn on the power supply to the VRTC pin, and release the RTC power-on reset.
- <2> To operate the frequency measurement circuit, 12-bit interval timer, 8-bit interval timer, clock output/buzzer output, oscillation stop detection circuit, and LCD controller/driver with the sub-system clock (ultra-low current consumption) in STOP mode or in HALT mode while CPU is operating with the sub-system clock, set the RTCLPC bit to 1.

	7	6	5	4	3	2	1	0
OSMC	RTCLPC 0/1	0	0	WUTMMCK0 0	0	0	0	0

- <3> Set (1) the VRTCEN bit in the PER2 register to permit access to the SFRs in the VRTC power-supply domain.
- <4> Set the EXCLKS, OSCSELS, AMPHS1, and AMPHS0 bits in the SCMC register, and set the XT1 oscillation mode and the gain for the XT1 oscillator.

	7	6	5	4	3	2	1	0
SCMC	0	0	EXCLKS 0	OSCSELS 1	0	AMPHS1 0/1	AMPHS0 0/1	0

AMPHS0 and AMPHS1 bits: These bits are used to specify the oscillation mode of the XT1 oscillator.

- <5> Clear (0) the XTSTOP bit of the SCSC register to start oscillation of the XT1 oscillator.

	7	6	5	4	3	2	1	0
SCSC	0	XTSTOP 0	0	0	0	0	0	0

- <6> Set (1) the XT1SELEN bit in the CMC register to permit selection of the XT1 clock as the CPU clock.
- <7> Use the timer function or another function to wait for oscillation of the XT1 oscillation clock to stabilize by using software.

- <8> Clear (0) the XT1SELDIS bit of the CSC register to permit selection of the XT1 clock as the CPU/peripheral hardware clock.
- <9> Use the CSS bit of the CKC register to specify the XT1 oscillation clock as the CPU/peripheral hardware clock

	7	6	5	4	3	2	1	0
CKC	CLS 0	CSS 1	MCS 0	MCM0 0	0	0	MCS1 0	MCM1 0

- <10> After completion of setting the SFRs in the VRTC power-supply domain, clear (0) the VRTCEN bit in the PER2 register to prohibit access to SFRs in the VRTC power-supply domain.

Caution Once the settings in steps <4>, <5>, and <7> are made, the values are retained except in case of an RTC power-on reset, so making the settings again will not be necessary unless this occurs.

Caution

6.6.4 Procedure for settings when the XT1 oscillator is not to be used as the CPU/peripheral hardware clock

[Register settings] Set the register in the order of <1> to <4> below.

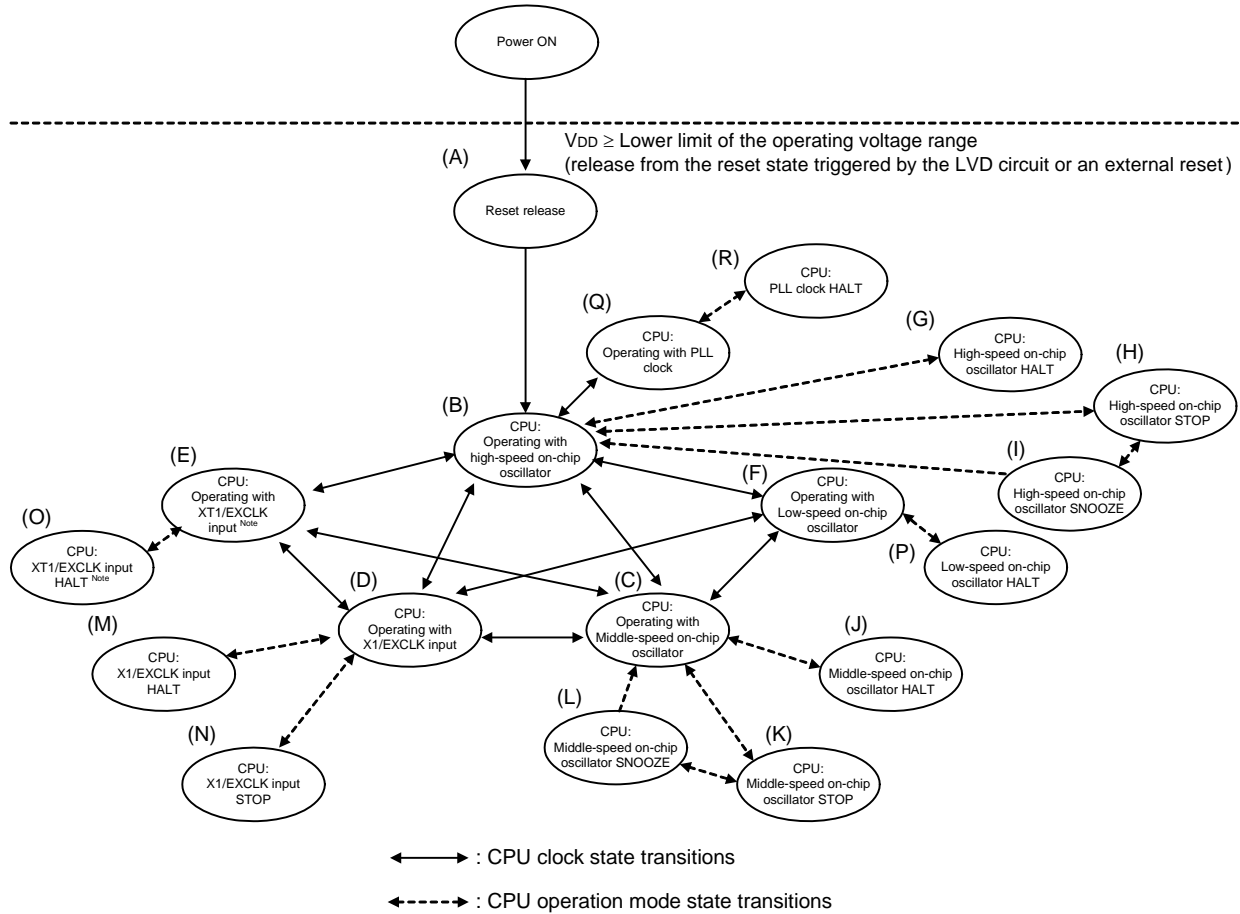
- <1> Turn on the power supply to the VRTC pin, and release the RTC power-on reset.
- <2> Set the EXCLKS, OSCSELS, AMPHS1, and AMPHS0 bits in the SCMC register, and set the XT1 oscillation mode and the gain for the XT1 oscillator. When the XT1 clock is not to be used, set the SCMC register to 00H and set the XT1/P123 and XT2/EXCLKS/P124 pins to the input port mode.
- <3> Clear (0) the XT1SELEN bit of the CMC register to prohibit selection of the XT1 clock as the CPU clock.
- <4> Set (1) the XT1SELDIS bit of the CSC register to prohibit selection of the XT1 clock as the CPU/peripheral hardware clock.

Caution Once the settings in step <2> are made, the values are retained except in case of an RTC power-on reset, so making the settings again will not be necessary unless this occurs.

6.6.5 CPU clock status transition diagram

Figure 6 - 24 shows the CPU clock status transition diagram of this product.

Figure 6 - 24 CPU Clock Status Transition Diagram



<R> **Note** Operation is possible after release from RTC power-on-reset.

Table 6 - 3 shows show transition of the CPU clock and examples of setting the SFR registers.

Table 6 - 3 CPU Clock Transition and SFR Register Setting Examples (1/5)

(1) CPU operating with high-speed on-chip oscillator clock (B) after reset release (A)

Target state transition: (A) → (B)

Clock After Change	SFR Register Setting
High-speed on-chip oscillator clock	SFR registers do not have to be set (default status after reset release).

(2) Changing to high-speed on-chip oscillator clock operation (B)

Target state transition: (C) → (B), (D) → (B), (E) → (B), (F) → (B)

(Setting sequence of SFR registers)

Setting Flag of SFR Register Clock After Change	CSC Register	Waiting for Oscillation Stabilization	CKC Register		
	HIOSTOP		CSS	MCM0	MCM1
High-speed on-chip oscillator clock	0	65 μs	0	0	0

Unnecessary if the CPU is operating with the high-speed on-chip oscillator clock

Target state transition: (Q) → (B)

(Setting sequence of SFR registers)

Setting Flag of SFR Register Clock After Change	MCKC Register	Waiting for the clocks to be switched	DSCCTL Register	PCKC Register
	CKSELR		DSCON	PLLCK
High-speed on-chip oscillator	0	Confirm that the CKSTR in the MCKC register is set to 0.	0	0

(3) Changing to middle-speed on-chip oscillator clock operation (C)

Target state transition: (B) → (C), (D) → (C), (E) → (C), (F) → (C)

(Setting sequence of SFR registers)

Setting Flag of SFR Register Clock After Change	CSC Register	Waiting for Oscillation Stabilization	CKC Register		
	MIOEN		CSS	MCM0	MCM1
Middle-speed on-chip oscillator clock	1	4 μs	0	0	1

Unnecessary if the CPU is operating with the middle-speed on-chip oscillator clock

Remark (A) to (R) in table 6 - 3 correspond to (A) to (R) in Figure 6 - 24.

Table 6 - 3 CPU Clock Transition and SFR Register Setting Examples (2/5)

- (4) Changing to PLL clock operation (Q)
Target state transition: (B) → (Q)

(Setting sequence of SFR registers)

Setting Flag of SFR Register Clock After Change	DSCCTL Register			PCKC Register	DSCCTL Register
	DSFRDIV1	DSFRDIV0	DSCM	PLLCK	DSCON
PLL clock	1	1	1	1	1

Waiting time for lock-up	MCKC Register	Waiting for the clocks to be switched
	CKSELR	
40 μs	1	Confirm that the CKSTR in the MCKC register is set to 1.

Caution 24 MHz must be selected as the frequency of the high-speed on-chip oscillator clock (f_H).

Remark (A) to (R) in table 6 - 3 correspond to (A) to (R) in Figure 6 - 24.

Table 6 - 3 CPU Clock Transition and SFR Register Setting Examples (3/5)

(5) Changing the CPU to high-speed system clock operation (D)

Target state transition: (B) → (D), (C) → (D), (E) → (D), (F) → (D)

(Setting sequence of SFR registers)

Setting Flag of SFR Register Clock After Change	CMC Register ^{Note 1}			OSTS Register	CSC Register MSTOP	OSTC Register	CKC Register	
	EXCLK	OSCSEL	AMPH				CSS	MCM0
Changing to X1 clock: $1 \text{ MHz} \leq f_x \leq 10 \text{ MHz}$	0	1	0	Note 2	0	Must be checked	0	1
Changing to X1 clock: $10 \text{ MHz} < f_x \leq 20 \text{ MHz}$	0	1	1	Note 2	0	Must be checked	0	1
Changing to external main clock	1	1	x	Note 2	0	Need not be checked	0	1

Unnecessary if these registers are already set
 Unnecessary if the CPU is operating with the high-speed system clock

Note 1. The clock operation mode control register (CMC) can be changed only once after reset release. This setting is not necessary if it has already been set.

Note 2. Set the oscillation stabilization time as follows.

- Desired the oscillation stabilization time counter status register (OSTC) oscillation stabilization time ≤ Oscillation stabilization time set by the oscillation stabilization time select register (OSTS)

Caution Set the clock after the supply voltage has reached the operable voltage of the clock to be set (see CHAPTER 41 ELECTRICAL SPECIFICATIONS).

Remark (A) to (R) in table 6 - 3 correspond to (A) to (R) in Figure 6 - 24.

Table 6 - 3 CPU Clock Transition and SFR Register Setting Examples (4/5)

- (6) Changing the CPU to subsystem clock operation (E)
 Target state transition: (B) → (E), (C) → (E), (D) → (E)

(Setting sequence of SFR registers)

Setting Flag of SFR Register	PER2 Register	SCMC Register ^{Note}			
	VRTCEN	EXCLKS	OSCSELS	AMPHS1	AMPHS0
Clock After Change					
Changing to XT1 clock	1	0	1	0/1	0/1
Changing to external sub clock	1	1	1	x	x

Unnecessary if these registers are already set

SCSC Register	CMC Register	Waiting for Oscillation Stabilization	CSC Register	CKC Register	PER2 Register
XTSTOP	XT1SELEN		XT1SELDIS	CSS	VRTCEN
0	1	Necessary	0	1	0
x	1	Necessary	0	1	0

Unnecessary if the CPU is operating with the subsystem clock

Note After release from the reset state, the sub clock operation mode control register (SCMC) can be written only once by an 8-bit memory manipulation instruction.

Operation is possible after turning on the power supply to the VRTC pin and release from the RTC power-on reset.

- (7) Changing to low-speed on-chip oscillator clock operation (F)
 Target state transition: (B) → (F), (C) → (F), (D) → (F)

(Setting sequence of SFR registers)

Setting Flag of SFR Register	CKSEL	Oscillation accuracy stabilization time	CKC Register
	SELLOSC		CSS
Clock After Change			
Changing to low-speed on-chip oscillator	1	210 μs	1

Unnecessary if the CPU is operating with the low-speed on-chip oscillator clock

Remark 1. x: don't care

Remark 2. (A) to (R) in table 6 - 3 correspond to (A) to (R) in Figure 6 - 24.

Table 6 - 3 CPU Clock Transition and SFR Register Setting Examples (5/5)

- (8) Changing from CPU operation mode (B), (C), (D), (E), (F) and (Q) to HALT mode (G), (J), (M), (O), (P) and (R)
 Target state transition: (B) → (G), (C) → (J), (D) → (M), (E) → (O), (F) → (P), (Q) → (R)

Mode After Change	Setting
HALT mode	Executing HALT instruction

- (9) Changing from CPU operation mode (B), (C), and (D) to STOP mode (H), (K), and (N)
 Target state transition: (B) → (H), (C) → (K), (D) → (N)

(Setting sequence) →

Mode After Change	Setting		
STOP mode	Stopping peripheral functions that cannot operate in STOP mode	Sets the OSTS register	Executing STOP instruction

Settings are unnecessary if the CPU does not enter STOP mode while it is operating with the high-speed system clock

- (10) Changing from STOP mode (H) and (K), to SNOOZE mode (I) and (L)

For details about the setting for switching from the STOP mode to the SNOOZE mode, see **15.8 SNOOZE Mode Function**, **18.5.7 SNOOZE mode function**, and **18.6.3 SNOOZE mode function**.

Remark (A) to (R) in table 6 - 3 correspond to (A) to (R) in Figure 6 - 24.

6.6.6 Condition before changing CPU clock and processing after changing CPU clock

Condition before changing the CPU clock and processing after changing the CPU clock are shown below.

Table 6 - 4 Changing CPU Clock (1/6)

CPU Clock		Condition Before Change	Processing After Change			
Before Change	After Change					
<R>	High-speed on-chip oscillator clock	Middle-speed on-chip oscillator clock	Oscillation of middle-speed on-chip oscillator • MIOEN = 1 Operating current can be reduced by stopping the high-speed on-chip oscillator (HIOSTOP = 1) after checking that the CPU clock has been switched to the clock after transition.			
		X1 clock		Stabilization of X1 oscillation • OSCSEL = 1, EXCLK = 0, MSTOP = 0 • After elapse of oscillation stabilization time		
		External main system clock		Enabling input of external clock from the EXCLK pin • OSCSEL = 1, EXCLK = 1, MSTOP = 0		
		PLL clock	Oscillation of the high-speed on-chip oscillator with f_{IH} at 24 MHz and supply as the operating clock for the PLL • FRQSEL3 to FRQSEL0 = 0000B • HIOSTOP = 0 • PLLCK = 1 Stabilization of PLL oscillation • DSFRDIV1 = 1, DSFRDIV0 = 1, DSCM = 1, DSCON = 1 • After waiting time for lock-up (40 μ s) elapses	-		
	<R>	Middle-speed on-chip oscillator clock	XT1 clock	Stabilization of XT1 oscillation • OSCSELS = 1, EXCLKS = 0, XTSTOP = 0 • After elapse of oscillation stabilization time Operating current can be reduced by stopping the high-speed on-chip oscillator (HIOSTOP = 1) after checking that the CPU clock has been switched to the clock after transition.		
			External subsystem clock		Enabling input of external clock from the EXCLKS pin • OSCSELS = 1, EXCLKS = 1, XTSTOP = 0	
			Low-speed on-chip oscillator clock		Selection of low-speed on-chip oscillator • SELLOSC = 1	
<R>	Middle-speed on-chip oscillator clock	High-speed on-chip oscillator clock	Oscillation of high-speed on-chip oscillator HIOSTOP = 0	Operating current can be reduced by stopping the middle-speed on-chip oscillator (MIOEN = 0) after checking that the CPU clock has been switched to the clock after transition.		
		X1 clock	Stabilization of X1 oscillation • OSCSEL = 1, EXCLK = 0, MSTOP = 0 • After elapse of oscillation stabilization time			
		PLL clock	Setting prohibited (switch to the high-speed on-chip oscillator clock first, and then switch to the PLL clock)	-		
		<R>	Middle-speed on-chip oscillator clock	External main system clock	Enabling input of external clock from the EXCLK pin OSCSEL = 1, EXCLK = 1, MSTOP = 0	Operating current can be reduced by stopping the middle-speed on-chip oscillator (MIOEN = 0) after checking that the CPU clock has been switched to the clock after transition.
				XT1 clock	Stabilization of XT1 oscillation • OSCSELS = 1, EXCLKS = 0, XTSTOP = 0 After elapse of oscillation stabilization time	
				External subsystem clock	Enabling input of external clock from the EXCLKS pin • OSCSELS = 1, EXCLKS = 1, XTSTOP = 0	
				Low-speed on-chip oscillator clock	Selection of low-speed on-chip oscillator • SELLOSC = 1	

Table 6 - 4 Changing CPU Clock (2/6)

CPU Clock		Condition Before Change	Processing After Change
Before Change	After Change		
<R> PLL clock	High-speed on-chip oscillator clock	Oscillation of the high-speed on-chip oscillator clock and selection of the high-speed on-chip oscillator as the main system clock • HIOSTOP = 0, MCS = 0, MCS1 = 0	Operating current can be reduced by stopping the PLL (DSCON = 0) after checking that the CPU clock has been switched to the clock after transition. • DSCON = 0 • PLLCK = 0
	Middle-speed on-chip oscillator clock	Transition not possible	-
	X1 clock	Transition not possible	-
	External main system clock	Transition not possible	-
	XT1 clock	Transition not possible	-
	External subsystem clock	Transition not possible	-
	Low-speed on-chip oscillator clock	Transition not possible	-

Table 6 - 4 Changing CPU Clock (3/6)

CPU Clock		Condition Before Change	Processing After Change
Before Change	After Change		
<R>	X1 clock	Enabling oscillation of high-speed on-chip oscillator • HIOSTOP = 0 • After elapse of oscillation stabilization time	X1 oscillation can be stopped (MSTOP = 1) after checking that the CPU clock has been switched to the clock after transition.
	Middle-speed on-chip oscillator clock	Oscillation of middle-speed on-chip oscillator • MIOEN = 1	
	External main system clock	Transition not possible	—
	PLL clock	Setting prohibited (switch to the high-speed on-chip oscillator clock first, and then switch to the PLL clock)	—
<R>	XT1 clock	Stabilization of XT1 oscillation • OSCSELS = 1, EXCLKS = 0, XTSTOP = 0 • After elapse of oscillation stabilization time	X1 oscillation can be stopped (MSTOP = 1) after checking that the CPU clock has been switched to the clock after transition.
	External subsystem clock	Enabling input of external clock from the EXCLKS pin • OSCSELS = 1, EXCLKS = 1, XTSTOP = 0	
	Low-speed on-chip oscillator clock	Stopped XT1 oscillation Selection of low-speed on-chip oscillator • SELLOSC = 1	
<R>	External main system clock	Enabling oscillation of high-speed on-chip oscillator • HIOSTOP = 0 • After elapse of oscillation stabilization time	External main system clock input can be disabled (MSTOP = 1) after checking that the CPU clock has been switched to the clock after transition.
	Middle-speed on-chip oscillator clock	Oscillation of middle-speed on-chip oscillator • MIOEN = 1	
	PLL clock	Setting prohibited (switch to the high-speed on-chip oscillator clock first, and then switch to the PLL clock)	—
	X1 clock	Transition not possible	—
<R>	XT1 clock	Stabilization of XT1 oscillation • OSCSELS = 1, EXCLKS = 0, XTSTOP = 0 • After elapse of oscillation stabilization time	External main system clock input can be disabled (MSTOP = 1) after checking that the CPU clock has been switched to the clock after transition.
	External subsystem clock	Enabling input of external clock from the EXCLKS pin • OSCSELS = 1, EXCLKS = 1, XTSTOP = 0	
	Low-speed on-chip oscillator clock	Stopped XT1 oscillation Selection of low-speed on-chip oscillator • SELLOSC = 1	

Table 6 - 4 Changing CPU Clock (4/6)

<R>

<R>

CPU Clock		Condition Before Change	Processing After Change
Before Change	After Change		
XT1 clock	High-speed on-chip oscillator clock	Oscillation of high-speed on-chip oscillator and selection of high-speed on-chip oscillator clock as main system clock • HIOSTOP = 0, MCS = 0, MCS1 = 0	XT1 oscillation can be stopped (XTSTOP = 1) after checking that the CPU clock has been switched to the clock after transition.
	Middle-speed on-chip oscillator clock	Oscillation of middle-speed on-chip oscillator and selection of middle-speed on-chip oscillator clock as main system clock • MIOEN = 1, MCS = 0, MCS1 = 1	
	PLL clock	Setting prohibited (switch to the high-speed on-chip oscillator clock first, and then switch to the PLL clock)	—
X1 clock	X1 clock	Stabilization of X1 oscillation and selection of high-speed system clock as main system clock • OSCSEL = 1, EXCLK = 0, MSTOP = 0 • After elapse of oscillation stabilization time • MCS = 1	XT1 oscillation can be stopped (XTSTOP = 1) after checking that the CPU clock has been switched to the clock after transition.
	External main system clock	Enabling input of external clock from the EXCLK pin and selection of high-speed system clock as main system clock • OSCSEL = 1, EXCLK = 1, MSTOP = 0 • MCS = 1	
	External subsystem clock	Transition not possible	—
	Low-speed on-chip oscillator clock	Transition not possible	—

Table 6 - 4 Changing CPU Clock (5/6)

<R>

<R>

CPU Clock		Condition Before Change	Processing After Change
Before Change	After Change		
External subsystem clock	High-speed on-chip oscillator clock	Oscillation of high-speed on-chip oscillator and selection of high-speed on-chip oscillator clock as main system clock • HIOSTOP = 0, MCS = 0, MCS1 = 0	External subsystem clock input can be disabled (XTSTOP = 1) after checking that the CPU clock has been switched to the clock after transition.
	Middle-speed on-chip oscillator clock	Oscillation of middle-speed on-chip oscillator and selection of middle-speed on-chip oscillator clock • MIOEN = 1, MCS = 0, MCS1 = 1	
	PLL clock	Setting prohibited (switch to the high-speed on-chip oscillator clock first, and then switch to the PLL clock)	—
External subsystem clock	X1 clock	Stabilization of X1 oscillation and selection of high-speed system clock as main system clock • OSCSEL = 1, EXCLK = 0, MSTOP = 0 • After elapse of oscillation stabilization time • MCS = 1	External subsystem clock input can be disabled (XTSTOP = 1) after checking that the CPU clock has been switched to the clock after transition.
	External main system clock	Enabling input of external clock from the EXCLK pin and selection of high-speed system clock as main system clock • OSCSEL = 1, EXCLK = 1, MSTOP = 0 • MCS = 1	
	XT1 clock	Transition not possible	—
	External subsystem clock	Transition not possible	

Table 6 - 4 Changing CPU Clock (6/6)

CPU Clock		Condition Before Change	Processing After Change
Before Change	After Change		
Low-speed on-chip oscillator clock	High-speed on-chip oscillator clock	Oscillation of high-speed on-chip oscillator and selection of high-speed on-chip oscillator clock as main system clock • HIOSTOP = 0, MCS = 0, MCS1 = 0	—
	Middle-speed on-chip oscillator clock	Oscillation of middle-speed on-chip oscillator and selection of middle-speed on-chip oscillator clock • MIOEN = 1, MCS = 0, MCS1 = 1	
	PLL clock	Setting prohibited (switch to the high-speed on-chip oscillator clock first, and then switch to the PLL clock)	
	X1 clock	Stabilization of X1 oscillation and selection of high-speed system clock as main system clock • OSCSEL = 1, EXCLK = 0, MSTOP = 0 • After elapse of oscillation stabilization time • MCS = 1	
	External main system clock	Enabling input of external clock from the EXCLK pin and selection of high-speed system clock as main system clock • OSCSEL = 1, EXCLK = 1, MSTOP = 0 • MCS = 1	
	XT1 clock	Transition not possible	
	Low-speed on-chip oscillator clock	Transition not possible	

6.6.7 Time required for switchover of CPU clock and main system clock

By setting bits 0, 4, 6 (MCM0, MCM1, CSS) of the system clock control register (CKC), the CPU clock can be switched (between the main system clock and the subsystem clock), main system clock can be switched (between the on-chip oscillator clock and the high-speed system clock), and on-chip oscillator clock can be switched (between the high-speed on-chip oscillator clock and the middle-speed on-chip oscillator clock).

The actual switchover operation is not performed immediately after rewriting to the CKC register; operation continues on the pre-switchover clock for several clocks (see **Tables 6 - 5 to 6 - 8**).

Whether the CPU is operating on the main system clock or the subsystem clock can be ascertained using bit 7 (CLS) of the CKC register. Whether the main system clock is operating on the high-speed system clock or main on-chip oscillator clock or PLL clock can be ascertained using bit 5 (MCS) of the CKC register. Whether the main system clock is operating on the high-speed on-chip oscillator clock or PLL clock can be ascertained using bit 7 (CKSTR) of the MCKC register. Whether the main on-chip oscillator clock is operating on the high-speed on-chip oscillator clock or middle-speed on-chip oscillator clock can be ascertained using bit 1 (MCS1) of the CKC register.

When the CPU clock is switched, the peripheral hardware clock is also switched.

Table 6 - 5 Maximum Time Required for Main System Clock Switchover

Clock A	Switching directions	Clock B	Remark
foco	↔	f _{MX}	See Table 6 - 6
f _{IH}	↔	f _{IM}	See Table 6 - 7
f _{MAIN}	↔	f _{SUB}	See Table 6 - 8

Table 6 - 6 Maximum Number of Clocks Required for foco ↔ f_{MX}

Set Value Before Switchover		Set Value After Switchover	
MCM0		MCM0	
		0 (f _{MAIN} = foco)	1 (f _{MAIN} = f _{MX})
0 (f _{MAIN} = foco)	f _{MX} ≥ foco	/	
	f _{MX} < foco		
1 (f _{MAIN} = f _{MX})	f _{MX} ≥ foco	2 f _{MX} /foco clocks	
	f _{MX} < foco	2 clocks	

Table 6 - 7 Maximum Number of Clocks Required for f_{IH} ↔ f_{IM}

Set Value Before Switchover		Set Value After Switchover	
MCM1		MCM1	
		0 (f _{MAIN} = f _{IH})	1 (f _{MAIN} = f _{IM})
0 (f _{MAIN} = f _{IH})	f _{IM} ≥ f _{IH}	/	
	f _{IM} < f _{IH}		
1 (f _{MAIN} = f _{IM})	f _{IM} ≥ f _{IH}	2 f _{IM} /f _{IH} clocks	
	f _{IM} < f _{IH}	2 clocks	

Table 6 - 8 Maximum Number of Clocks Required for fMAIN ↔ fSUB

Set Value Before Switchover	Set Value After Switchover	
CSS	CSS	
	0 (fCLK = fMAIN)	1 (fCLK = fSUB)
0 (fCLK = fMAIN)		1 + 2 fMAIN/fSUB clock
1 (fCLK = fSUB)	3 clock	

Remark 1. The number of clocks listed in Tables 6 - 6 to 6 - 8 is the number of CPU clocks before switchover.

Remark 2. Calculate the number of clocks in Tables 6 - 6 to 6 - 8 by rounding up the number after the decimal position.

Example When switching the main system clock from the high-speed on-chip oscillator clock (8 MHz) to the high-speed system clock (@ oscillation with f_H = 8 MHz, f_M = 10 MHz)

$$1 + f_H/f_M = 1 + 8/10 = 1 + 0.8 = 1.8 \rightarrow 2 \text{ clocks}$$

6.6.8 Conditions before clock oscillation is stopped

The following lists the register flag settings for stopping the clock oscillation (disabling external clock input) and conditions before the clock oscillation is stopped.

Before stopping the clock, check the preconditions for stopping the clock.

Table 6 - 9 Conditions Before the Clock Oscillation Is Stopped and Flag Settings

Clock	Conditions Before Clock Oscillation Is Stopped (External Clock Input Disabled)	Flag Settings of SFR Register
High-speed on-chip oscillator clock	MCS1 = 1, MCS = 1 or CLS = 1 (The CPU is operating on a clock other than the high-speed on-chip oscillator clock or PLL clock.)	HIOSTOP = 1
Middle-speed on-chip oscillator clock	MCS1 = 0, MCS = 1 or CLS = 1 (The CPU is operating on a clock other than the middle-speed on-chip oscillator clock.)	MIOEN = 0
PLL clock	CKSTR = 0 (The CPU is operating on a clock other than the PLL clock.)	DSCON = 0
X1 clock	MCS = 0 or CLS = 1	MSTOP = 1
External main system clock	(The CPU is operating on a clock other than the high-speed system clock.)	
XT1 clock	CLS = 0	XTSTOP = 1
External subsystem clock	(The CPU is operating on a clock other than the subsystem clock.)	XT1SELEN = 0 XT1SELDIS = 1
Low-speed on-chip oscillator clock	CLS = 0 (The CPU is operating on a clock other than the low-speed on-chip oscillator clock.)	SELLOSC = 0

6.7 Resonator and Oscillator Constants

For the resonators for which operation has been verified and their oscillator constants, see the target product page on the Renesas Web site.

Caution 1. The constants for these oscillator circuits are reference values based on specific environments set up for evaluation by the manufacturers. For actual applications, request evaluation by the manufacturer of the oscillator circuit mounted on a board. Furthermore, if you are switching from a different product to this microcontroller, and whenever you change the board, again request evaluation by the manufacturer of the oscillator circuit mounted on the new board.

Caution 2. The oscillation voltage and oscillation frequency only indicate the oscillator characteristic. Use the RL78 microcontroller so that the internal operation conditions are within the specifications of the DC and AC characteristics.

Figure 6 - 25 Example of External Circuit



CHAPTER 7 HIGH-SPEED ON-CHIP OSCILLATOR CLOCK FREQUENCY CORRECTION FUNCTION

7.1 High-speed On-chip Oscillator Clock Frequency Correction Function

Using the subsystem clock f_{SUB} (32.768 kHz) as a reference, the frequency of high-speed on-chip oscillator is measured, and the accuracy of the high-speed on-chip oscillator clock (f_{IH}) frequency is corrected in real time.

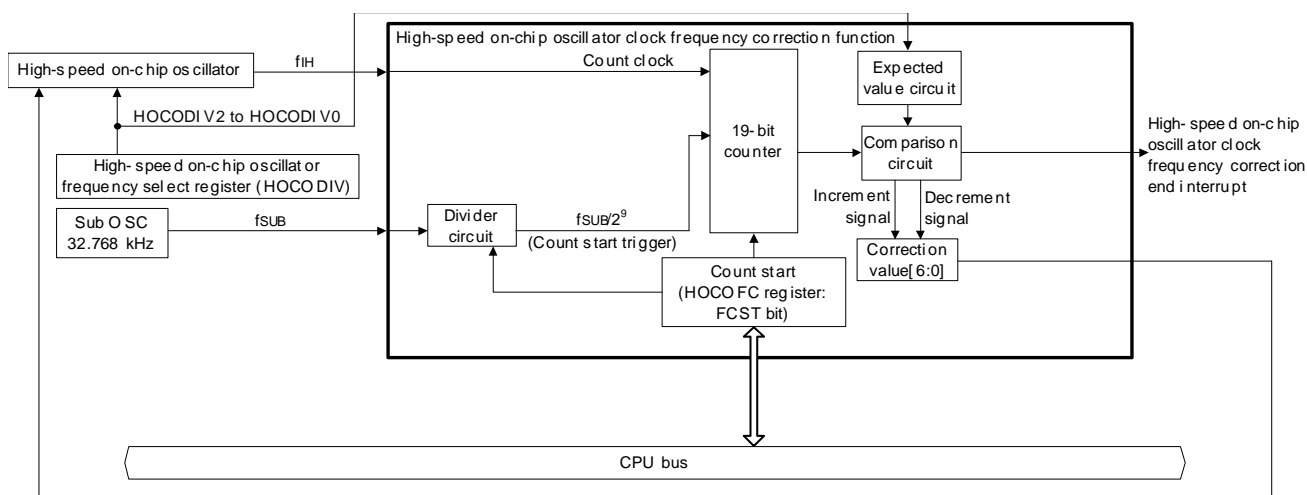
Table 7-1 lists the operation specifications of high-speed on-chip oscillator clock frequency correction function and Figure 7-1 shows the block diagram of high-speed on-chip oscillator clock frequency correction function.

Table 7-1. Operation Specifications of High-speed On-chip Oscillator Clock Frequency Correction Function

Item	Description
Reference clock	• $f_{SUB}/2^9$ (subsystem clock: 32.768 kHz)
Clock to be corrected	• f_{IH} (high-speed on-chip oscillator clock)
Operating modes	<ul style="list-style-type: none"> • Continuous operating mode The high-speed on-chip oscillator clock frequency is corrected continuously. • Intermittent operating mode The high-speed on-chip oscillator clock frequency is corrected intermittently using a timer interrupt, etc.
Clock accuracy correction function	• Correction time: Correction cycle (31.2 ms) \times (number of corrections - 0.5) ^{Note}
Interrupt	• Output when high-speed on-chip oscillator clock frequency correction is completed (while interrupt output is enabled).

Note Correction time: Varies depending on the number of corrections.
 Correction cycle: Total time of the frequency measurement phase and the frequency correction phase
 Number of corrections: The number of repeated correction cycles until the frequency is adjusted to the expected value range.

<R> Figure 7-1. Block Diagram of High-speed On-chip Oscillator Clock Frequency Correction Function



- Cautions 1.** A subsystem clock is necessary to use the high-speed on-chip oscillator clock frequency correction function. Connect a sub clock oscillator to XT1 and XT2.
- 2.** Use this function as necessary to select a high-speed on-chip oscillator as the operating clock when using a 24 bit $\Delta\Sigma$ type A/D converter.

7.2 Register

Table 7-2 lists the register used for the high-speed on-chip oscillator clock frequency correction function.

Table 7-2. Register for High-speed On-chip Oscillator Clock Frequency Correction Function

Item	Configuration
Control registers	High-speed on-chip oscillator clock frequency correction control register (HOCOFC)

7.2.1 High-speed on-chip oscillator clock frequency correction control register (HOCOFC)

This register is used to control the high-speed on-chip oscillator clock frequency correction function.

The HOCOFC register can be set by an 8-bit memory manipulation instruction.

Reset signal generation clears this register to 00H.

Figure 7-2. Format of High-Speed On-Chip Oscillator Clock Frequency Correction Control Register (HOCOFC)

Address: F02D8H After reset: 00H R/W

Symbol	7	6	5	4	3	2	1	0
HOCOFC	FCMD	FCIE	0	0	0	0	0	FCST

FCMD ^{Note 1}	High-speed on-chip oscillator clock frequency correction function operating mode
0	Continuous operating mode
1	Intermittent operating mode

FCIE	Control of high-speed on-chip oscillator clock frequency correction end interrupt
0	No interrupt is generated when high-speed on-chip oscillator clock frequency correction is completed
1	An interrupt is generated when high-speed on-chip oscillator clock frequency correction is completed

FCST ^{Note 2}	High-speed on-chip oscillator clock frequency correction circuit operation control/status
0	High-speed on-chip oscillator clock frequency correction circuit stops operating/frequency correction is completed
1	High-speed on-chip oscillator clock frequency correction circuit starts operating/frequency correction is operating
In continuous operating mode, operation is stopped by writing 0 to this bit by software. In intermittent operating mode, the FCST bit is cleared by hardware after correction is completed.	

Notes 1. Do not rewrite the FCMD bit when the FCST bit is 1.

- When writing 1 to the FCST bit, confirm that the FCST bit is 0 before writing 1 to FCST. However, when writing 1 to the FCST bit immediately after intermittent operation is completed (an interrupt is generated when high-speed on-chip oscillator clock frequency correction is completed), wait for at least one f_{IH} cycle to elapse after the high-speed on-chip oscillator clock frequency correction end interrupt is generated because clearing by hardware has priority.

After writing 0 (high-speed on-chip oscillator clock frequency correction circuit stops operating) to the FCST bit, do not write 1 (high-speed on-chip oscillator clock frequency correction circuit starts operating) to the FCST bit for two f_{IH} cycles.

Caution Be sure to clear bits 5 to 1 to “0”.

7.3 Operation

7.3.1 Operation overview

In high-speed on-chip oscillator clock frequency correction, a correction cycle is generated using the subsystem clock (f_{SUB}) as a reference, the frequency of the high-speed on-chip oscillator is measured, and the accuracy of the high-speed on-chip oscillator clock frequency is corrected in real time. In clock correction, operations of the frequency measurement and frequency correction phases are repeated. In the frequency measurement phase, correction is calculated. In the frequency correction phase, the output of the correction value that reflects the correction calculation result is retained.

Table 7-3 lists the high-speed on-chip oscillator input frequency and correction cycle and Figure 7-3 shows the operation timing (details) of high-speed on-chip oscillator clock frequency correction.

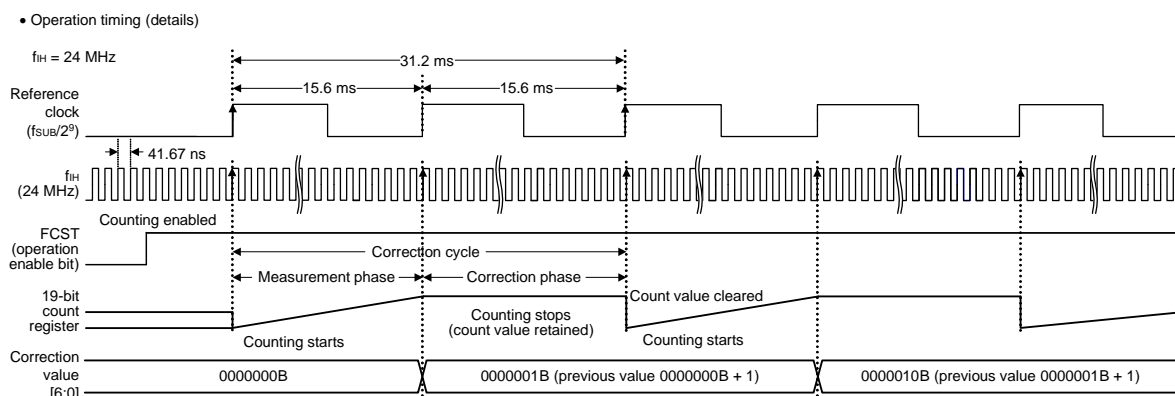
Table 7-3. High-Speed On-Chip Oscillator Input Frequency and Correction Cycle

f_{IH} (MHz)	FRQSEL3, HOCODIV2 to HOCODIV0 ^{Note} (HOCODIV Register)	Correction Cycle (ms)
24	0000	31.2 (frequency measurement phase + frequency correction phase)
12	0001	
6	0010	
3	0011	
1.5	0100	
16	1001	
8	1010	
4	1011	
2	1100	
1	1101	
Other than above	Setting prohibited	

Note Be sure to change the high-speed on-chip oscillator frequency select register (HOCODIV) only when the high-speed on-chip oscillator clock frequency correction function is not used.

The frequency measurement phase period for the correction cycle is counted using the high-speed on-chip oscillator clock, and the high-speed on-chip oscillator frequency is corrected depending on the count result and whether it is greater or smaller than the expected value.

Figure 7-3. Operation Timing (Details) of High-speed On-chip Oscillator Clock Frequency Correction



Remark Basic operation is the same in both continuous and intermittent operating modes. Only the difference between these modes is clearing the FCST bit is controlled by either software or hardware. In addition, the correction value is not cleared until a reset is applied to the system.

(1) Continuous operating mode

In continuous operating mode, the high-speed on-chip oscillator clock frequency is corrected continuously. This mode is selected by setting the FCMD bit in the HOCOFC register to 0.

Operation of high-speed on-chip oscillator clock frequency correction is started by setting the FCST bit in the HOCOFC register to 1. Similarly, operation of high-speed on-chip oscillator clock frequency correction is stopped by setting the FCST bit in the HOCOFC register to 0.

When operation of high-speed on-chip oscillator clock frequency correction is started, frequency counting starts at the rising edge of the reference clock ($f_{SUB}/2^9$) and stops at the next rising edge of the reference clock ($f_{SUB}/2^9$) in the frequency measurement phase.

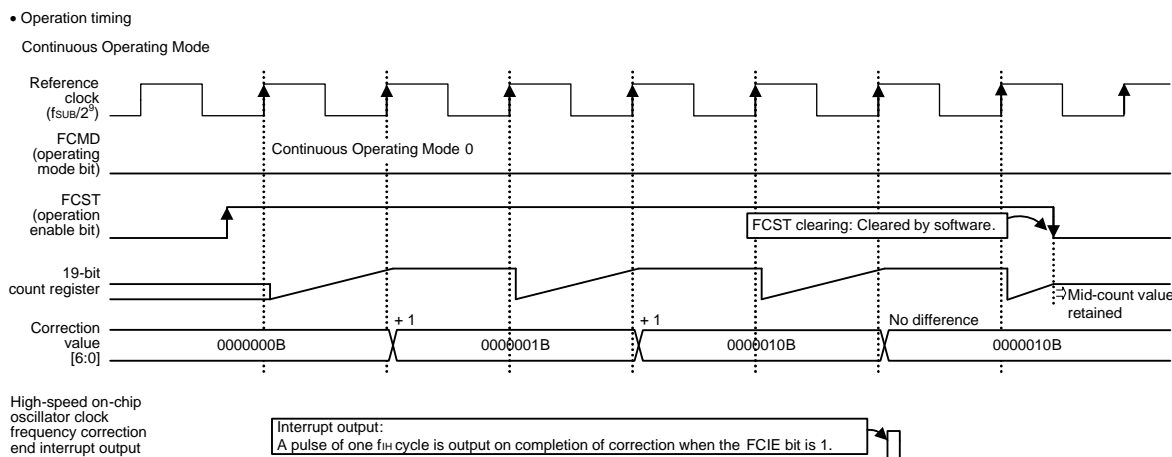
Next, the count value and the expected value are compared, and the correction value is adjusted as follows in the frequency correction phase:

- When the count value is greater than the expected value: Correction value – 1
- When the count value is smaller than the expected value: Correction value + 1
- When the count value is in the range of the expected value: The correction value is retained (high-speed on-chip oscillator clock frequency correction is completed)

When the FCIE bit in the HOCOFC register is set to 1, a high-speed on-chip oscillator clock frequency correction end interrupt is output every time high-speed on-chip oscillator clock frequency correction is completed. In continuous operating mode, the frequency measurement phase and the frequency correction phase are repeated until the high-speed on-chip oscillator clock frequency correction function is stopped.

Figure 7-4 shows the continuous operating mode timing.

Figure 7-4. Continuous Operating Mode Timing



(2) Intermittent operating mode

In intermittent operating mode, the high-speed on-chip oscillator clock frequency is corrected intermittently using a timer interrupt, etc. This mode is selected by setting the FCMD bit in the HOCOFC register to 1.

Operation of high-speed on-chip oscillator clock frequency correction is started by setting the FCST bit in the HOCOFC register to 1.

When operation of high-speed on-chip oscillator clock frequency correction is started, frequency counting starts at the rising edge of the reference clock ($f_{SUB}/2^9$) and stops at the next rising edge of the reference clock ($f_{SUB}/2^9$) in the frequency measurement phase.

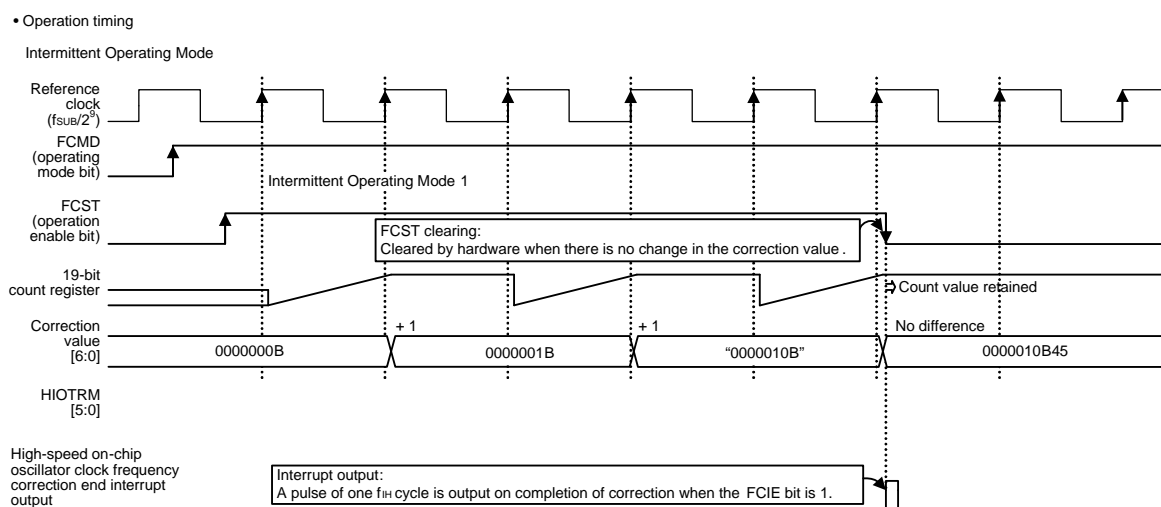
Next, the count value and the expected value are compared, and the correction value is adjusted as follows in the frequency correction phase:

- When the count value is greater than the expected value: Correction value – 1
- When the count value is smaller than the expected value: Correction value + 1
- When the count value is in the range of the expected value: The correction value is retained and the FCST bit is cleared (high-speed on-chip oscillator clock frequency correction is completed)

While the FCIE bit in the HOCOFC register is set to 1, a high-speed on-chip oscillator clock frequency correction end interrupt is output when high-speed on-chip oscillator clock frequency correction is completed. In intermittent operating mode, the frequency measurement phase and the frequency correction phase are repeated, and high-speed on-chip oscillator clock frequency correction operation is stopped after high-speed on-chip oscillator clock frequency correction is completed.

Figure 7-5 shows the intermittent operating mode timing.

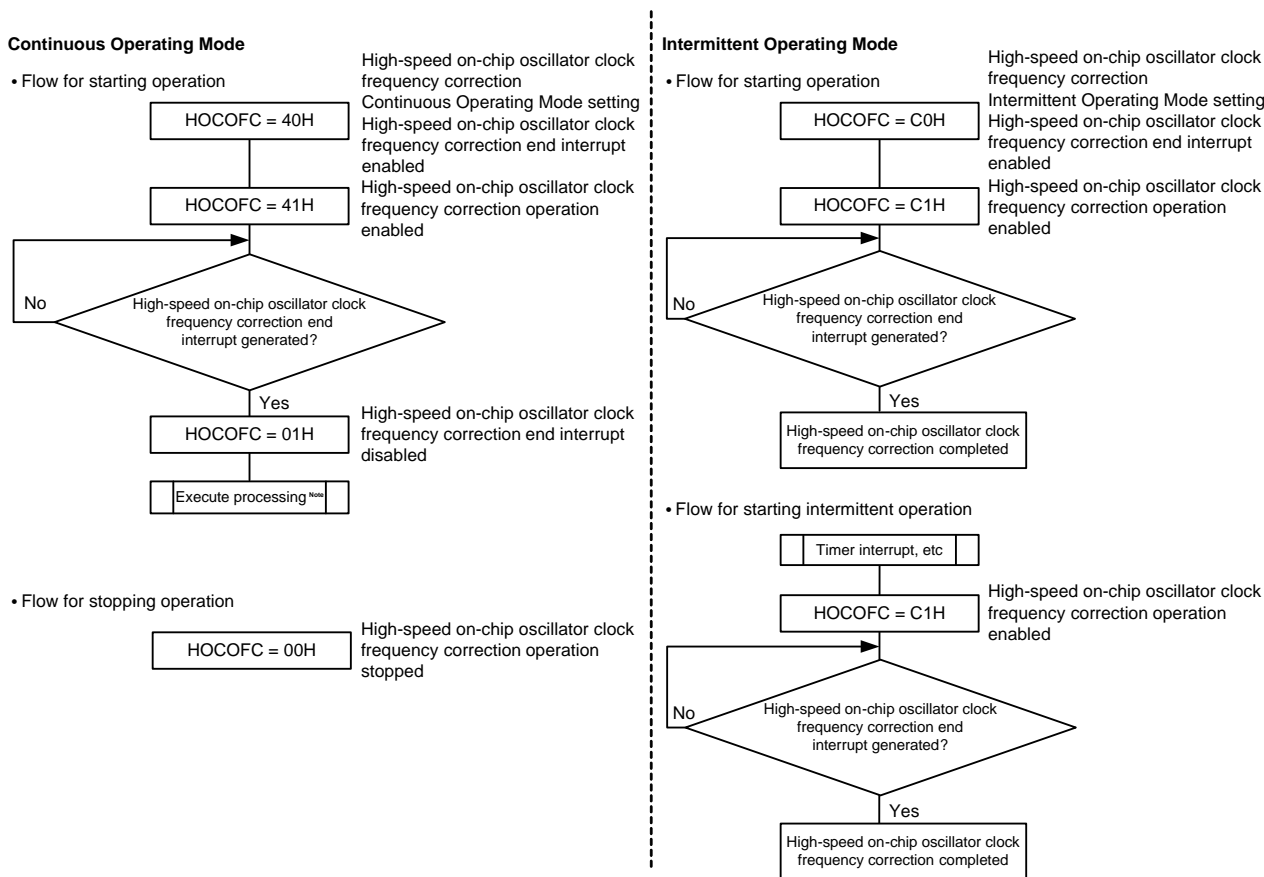
Figure 7-5. Intermittent Operating Mode Timing



7.3.2 Operation procedure

The following shows the flow for starting and stopping operation when the high-speed on-chip oscillator clock frequency correction function is used.

Figure 7-6. Example of Procedure for Setting Operating Mode



Note The high speed on-chip oscillator clock frequency correction is repeated until the high speed on-chip oscillator clock frequency correction function is stopped.

7.4 Usage Notes

7.4.1 SFR access

When writing 1 to FCST to control the FCST bit in intermittent operating mode, confirm that the FCST bit is 0 before writing 1 to the FCST bit. However, when writing 1 to the FCST bit immediately after intermittent operation is completed, wait for at least one f_{IH} cycle after a high-speed on-chip oscillator clock frequency correction end interrupt is generated because clearing by hardware has priority.

7.4.2 Operation during standby state

Be sure to stop operation of high-speed on-chip oscillator clock frequency correction before executing the STOP instruction.

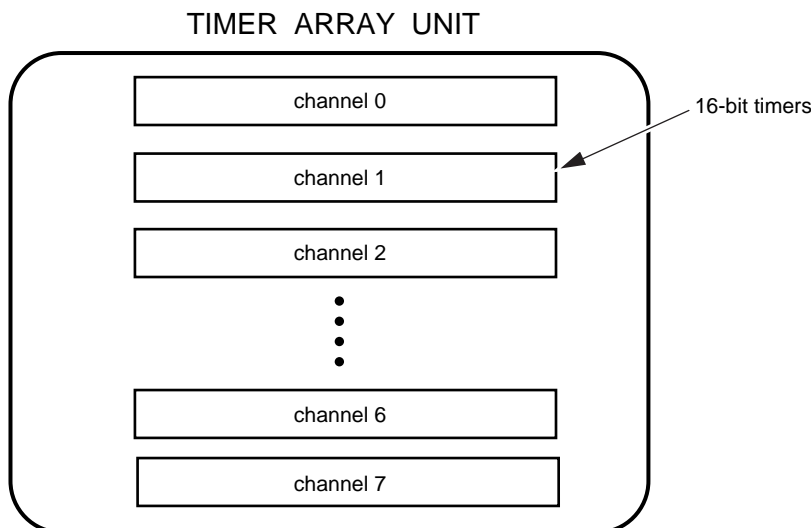
7.4.3 Changing high-speed on-chip oscillator frequency select register (HOCODIV)

Be sure to change the high-speed on-chip oscillator frequency select register (HOCODIV) only when the high-speed on-chip oscillator clock frequency correction function is not used.

CHAPTER 8 TIMER ARRAY UNIT

The timer array unit has eight 16-bit timers.

Each 16-bit timer is called a channel and can be used as an independent timer. In addition, two or more “channels” can be used to create a high-accuracy timer.



For details about each function, see the table below.

Independent Channel Operation Function	Simultaneous Channel Operation Function
<ul style="list-style-type: none"> • Interval timer (→ see 8.8.1) • Square wave output (→ see 8.8.1) • External event counter (→ see 8.8.2) • Input pulse interval measurement (→ see 8.8.3) • Measurement of high-/low-level width of input signal (→ see 8.8.4) • Delay counter (→ see 8.8.5) 	<ul style="list-style-type: none"> • One-shot pulse output(→ see 8.9.1) • PWM output(→ see 8.9.2) • Multiple PWM output(→ see 8.9.3)

It is possible to use the 16-bit timer of channels 1 and 3 as two 8-bit timers (higher and lower). The functions that can use channels 1 and 3 as 8-bit timers are as follows:

- Interval timer (upper or lower 8-bit timer)/square wave output (lower 8-bit timer only)
- External event counter (lower 8-bit timer only)
- Delay counter (lower 8-bit timer only)

Channel 7 can be used to realize LIN-bus communication operating in combination with UART0 of the serial array unit.

8.1 Functions of Timer Array Unit

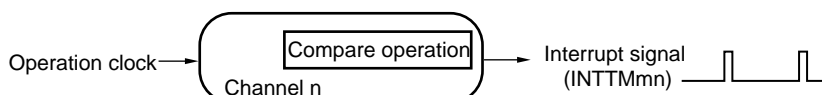
Timer array unit has the following functions.

8.1.1 Independent channel operation function

By operating a channel independently, it can be used for the following purposes without being affected by the operation mode of other channels.

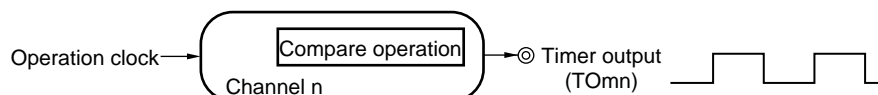
(1) Interval timer

Each timer of a unit can be used as a reference timer that generates an interrupt (INTTMmn) at fixed intervals.



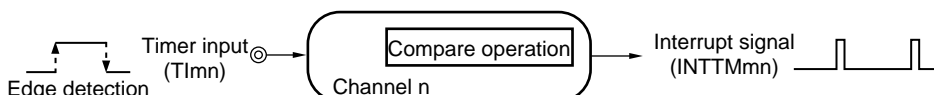
(2) Square wave output

A toggle operation is performed each time INTTMmn interrupt is generated and a square wave with a duty factor of 50% is output from a timer output pin (TOMn).



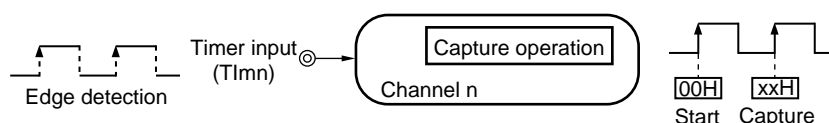
(3) External event counter

Each timer of a unit can be used as an event counter that generates an interrupt when the number of the valid edges of a signal input to the timer input pin (TImn) has reached a specific value.



(4) Input pulse interval measurement

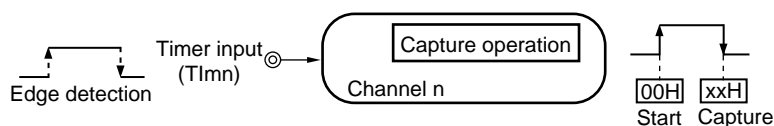
Counting is started by the valid edge of a pulse signal input to a timer input pin (TImn). The count value of the timer is captured at the valid edge of the next pulse. In this way, the interval of the input pulse can be measured.



(Remark is listed on the next page.)

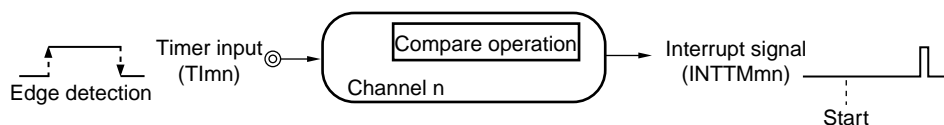
(5) Measurement of high-/low-level width of input signal

Counting is started by a single edge of the signal input to the timer input pin (TImn), and the count value is captured at the other edge. In this way, the high-level or low-level width of the input signal can be measured.



(6) Delay counter

Counting is started at the valid edge of the signal input to the timer input pin (TImn), and an interrupt is generated after any delay period.



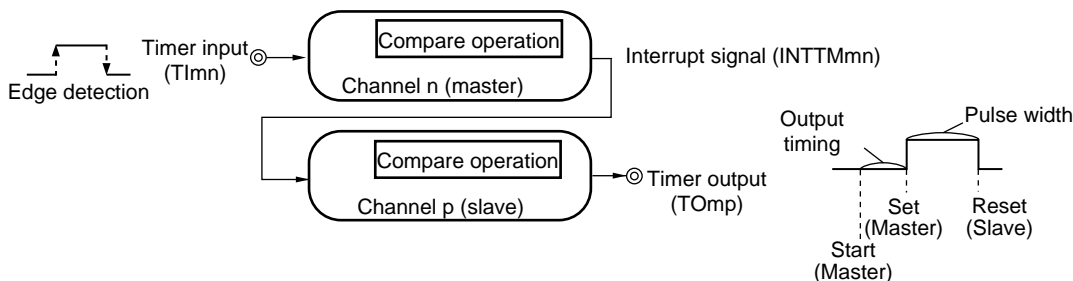
Remark m: Unit number (m = 0), n: Channel number (n = 0 to 7)

8.1.2 Simultaneous channel operation function

By using the combination of a master channel (a reference timer mainly controlling the cycle) and slave channels (timers operating according to the master channel), channels can be used for the following purposes.

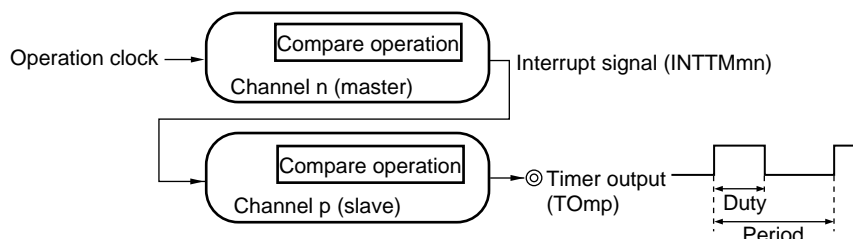
(1) One-shot pulse output

Two channels are used as a set to generate a one-shot pulse with a specified output timing and a specified pulse width.



(2) PWM (Pulse Width Modulation) output

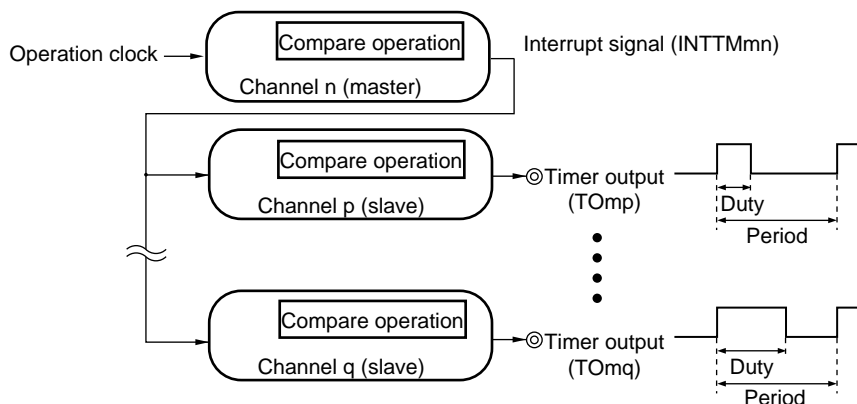
Two channels are used as a set to generate a pulse with a specified period and a specified duty factor.



(Caution and Remark are listed on the next page.)

(3) Multiple PWM (Pulse Width Modulation) output

By extending the PWM function and using one master channel and two or more slave channels, up to seven types of PWM signals that have a specific period and a specified duty factor can be generated.



Caution For details about the rules of simultaneous channel operation function, see 8.4.1 Basic rules of simultaneous channel operation function.

Remark m: Unit number (m = 0), n: Channel number (n = 0 to 7),
 p, q: Slave channel number (n < p < q ≤ 7)

8.1.3 8-bit timer operation function (channels 1 and 3 only)

The 8-bit timer operation function makes it possible to use a 16-bit timer channel in a configuration consisting of two 8-bit timer channels. This function can only be used for channels 1 and 3.

Caution There are several rules for using 8-bit timer operation function.
 For details, see 8.4.2 Basic rules of 8-bit timer operation function (channels 1 and 3 only).

8.1.4 LIN-bus supporting function (channel 7 only)

Timer array unit is used to check whether signals received in LIN-bus communication match the LIN-bus communication format.

(1) Detection of wakeup signal

The timer starts counting at the falling edge of a signal input to the serial data input pin (RxD0) of UART0 and the count value of the timer is captured at the rising edge. In this way, a low-level width can be measured. If the low-level width is greater than a specific value, it is recognized as a wakeup signal.

(2) Detection of break field

The timer starts counting at the falling edge of a signal input to the serial data input pin (RxD0) of UART0 after a wakeup signal is detected, and the count value of the timer is captured at the rising edge. In this way, a low-level width is measured. If the low-level width is greater than a specific value, it is recognized as a break field.

(3) Measurement of pulse width of sync field

After a break field is detected, the low-level width and high-level width of the signal input to the serial data input pin (RxD0) of UART0 are measured. From the bit interval of the sync field measured in this way, a baud rate is calculated.

Remark For details about setting up the operations used to implement the LIN-bus, see **8.3.14 Input switch control register (ISC)** and **8.8.4 Operation as input signal high-/low-level width measurement**.

8.2 Configuration of Timer Array Unit

Timer array unit includes the following hardware.

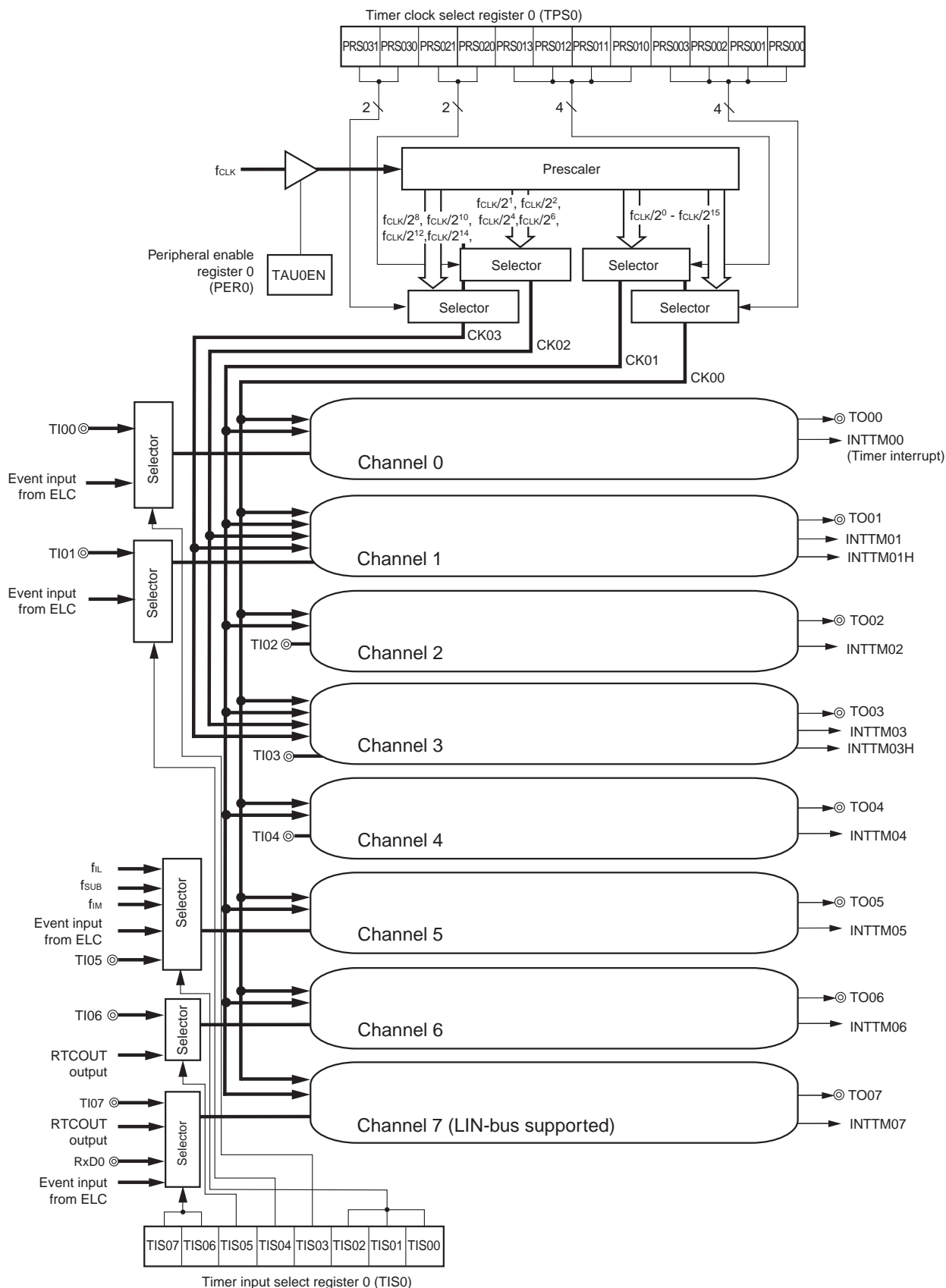
Table 8-1. Configuration of Timer Array Unit

Item	Configuration
Timer/counter	Timer count register mn (TCRmn)
Register	Timer data register mn (TDRmn)
Timer input	TI00 to TI07, RxD0 pin (for LIN-bus)
Timer output	TO00 to TO07 pins, output controller
Control registers	<p><Registers of unit setting block></p> <ul style="list-style-type: none"> • Peripheral enable register 0 (PER0) • Peripheral reset control register 0 (PRR0) • Timer clock select register m (TPSm) • Timer channel enable status register m (TEm) • Timer channel start register m (TSM) • Timer channel stop register m (TTm) • Timer input select register 0 (TIS0) • Timer output enable register m (TOEm) • Timer output register m (TOm) • Timer output level register m (TOLm) • Timer output mode register m (TOMm) <p><Registers of each channel></p> <ul style="list-style-type: none"> • Timer mode register mn (TMRmn) • Timer status register mn (TSRmn) • Input switch control register (ISC) • Noise filter enable register 1 (NFEN1) • Port mode registers (PM0, PM3, PM4, PM6, PM12) • Port registers (P0, P3, P4, P6, P12)

Remark m: Unit number (m = 0), n: Channel number (n = 0 to 7)

Figure 8-1 shows the block diagrams of the timer array unit.

Figure 8-1. Entire Configuration of Timer Array Unit



Remark f_{SUB} : Subsystem clock frequency
 f_{IL} : Low-speed on-chip oscillator clock frequency
 f_{IM} : Medium-speed on-chip oscillator clock frequency

Figure 8-2. Internal Block Diagram of Channel 0 of Timer Array Unit

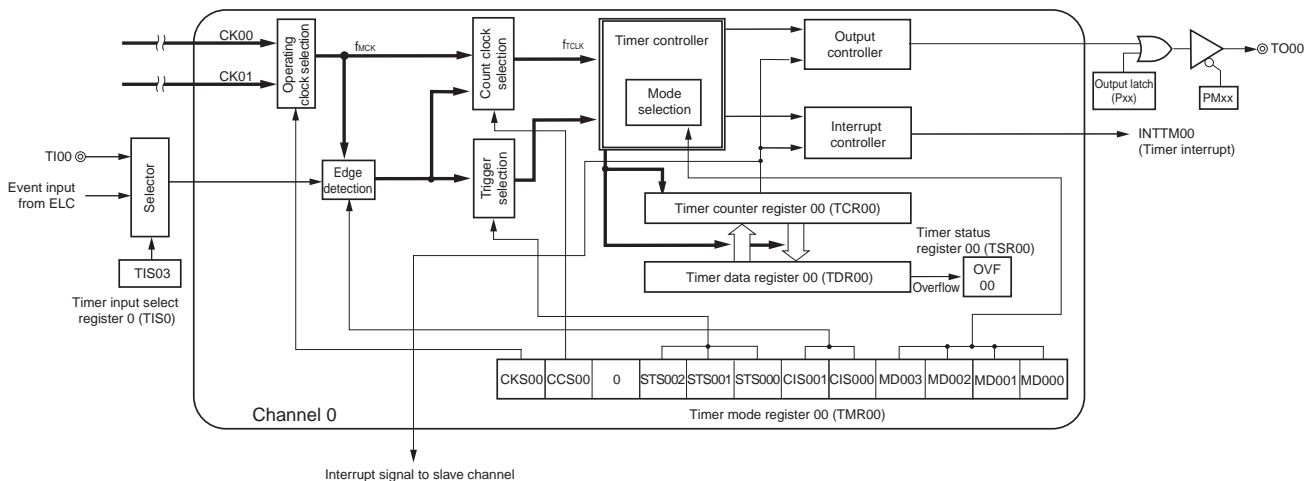
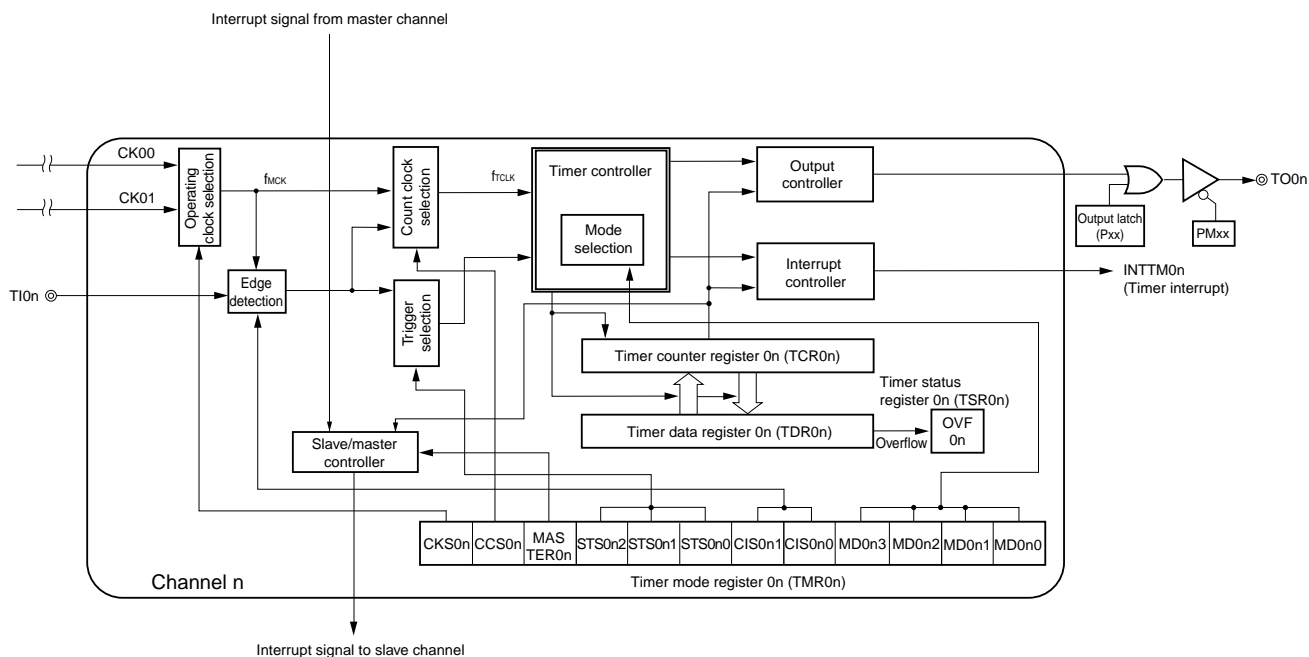


Figure 8-3. Internal Block Diagram of Channels 2, 4 of Timer Array Unit



Remark n = 2, 4

Figure 8-4. Internal Block Diagram of Channel 1 of Timer Array Unit

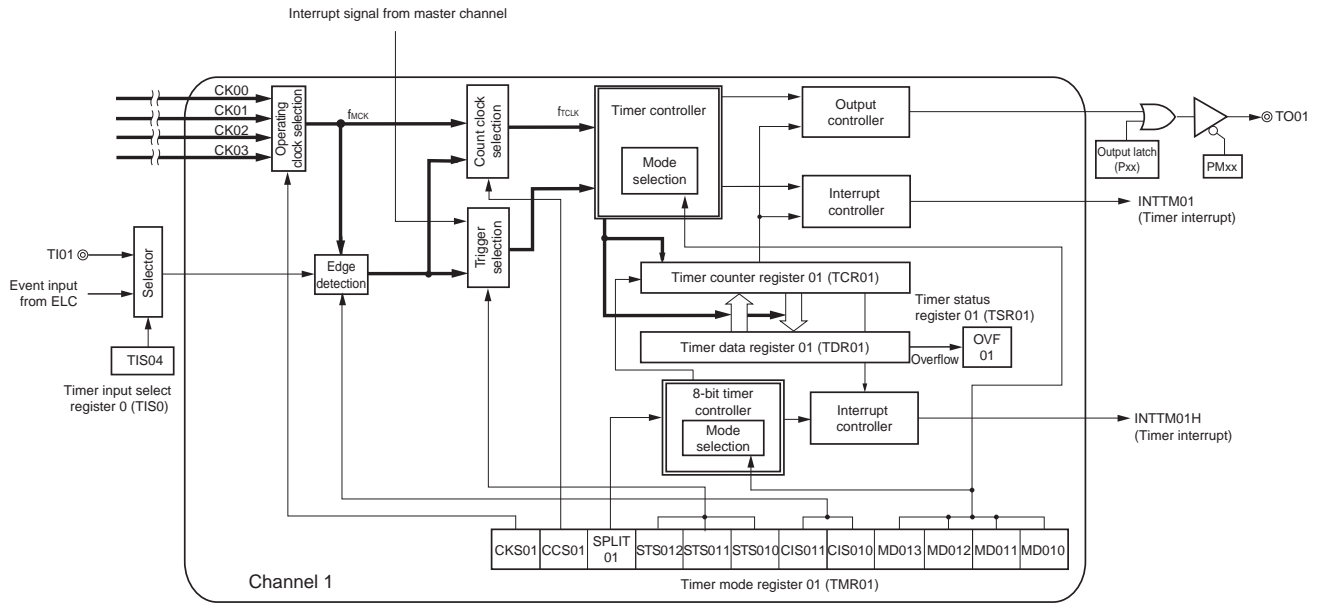


Figure 8-5. Internal Block Diagram of Channel 3 of Timer Array Unit

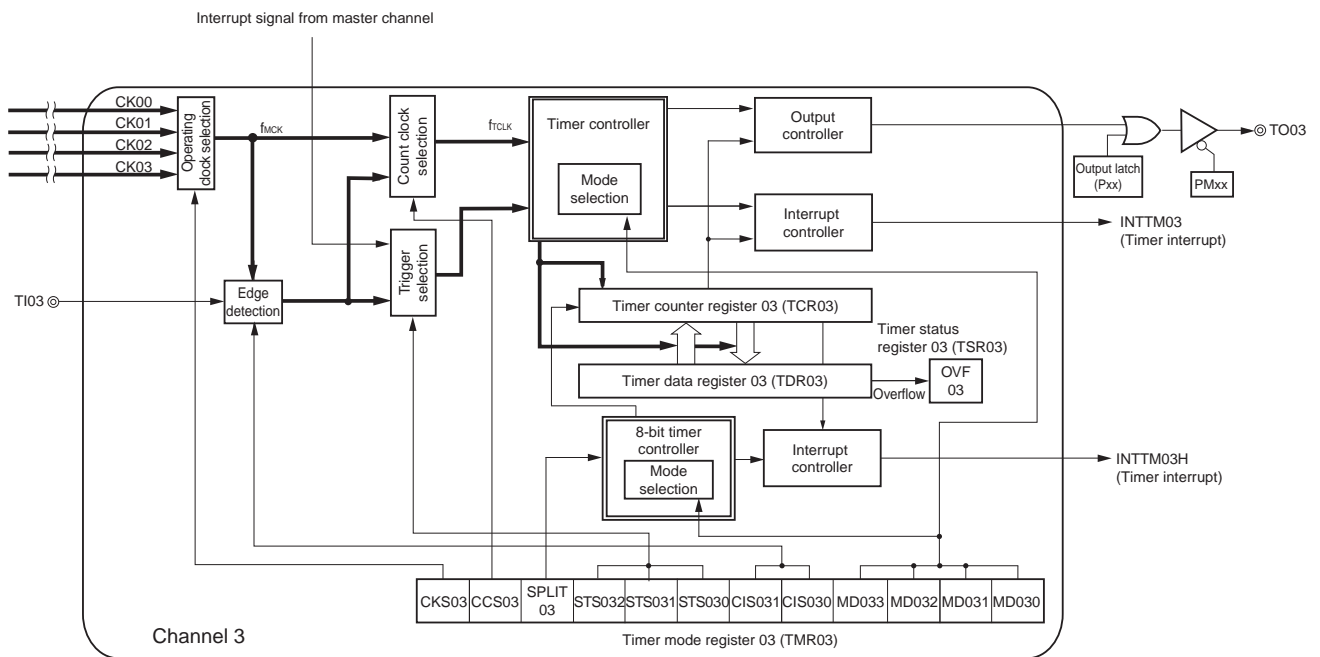


Figure 8-6. Internal Block Diagram of Channel 5 of Timer Array Unit

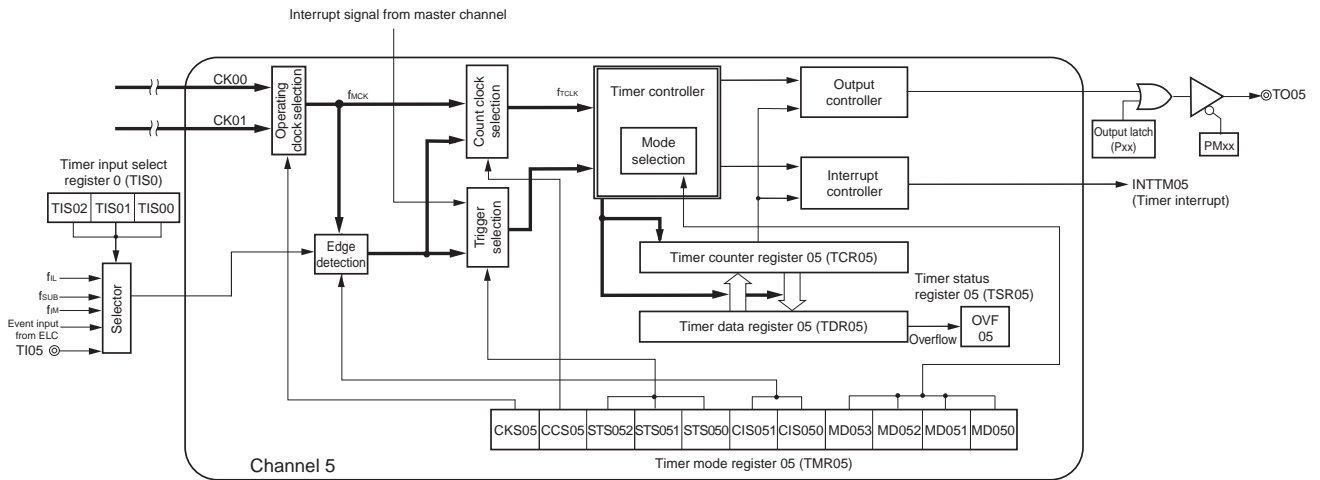


Figure 8-7. Internal Block Diagram of Channel 6 of Timer Array Unit

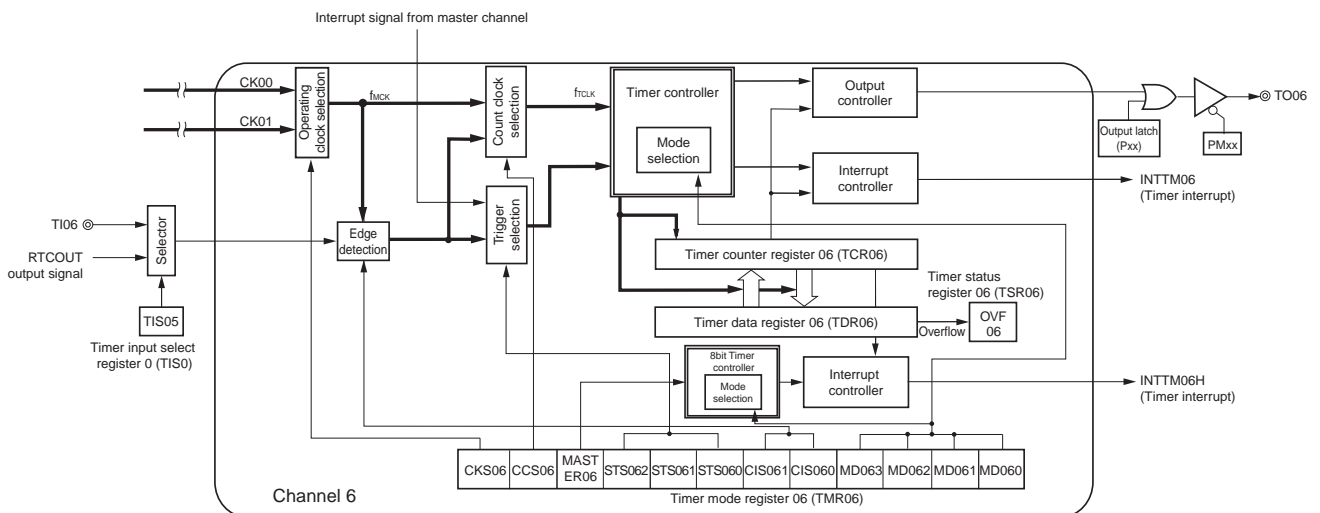
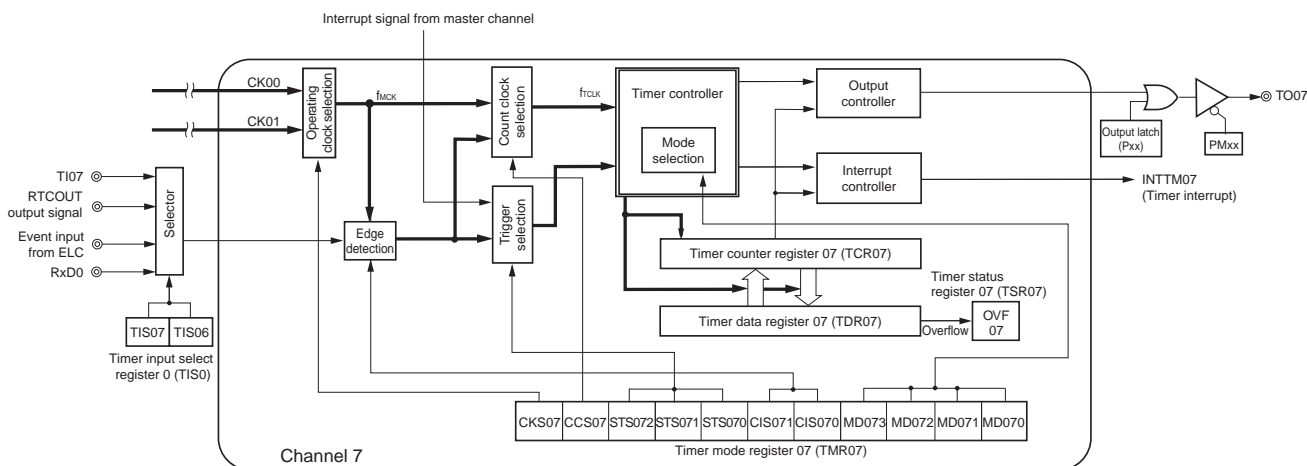


Figure 8-8. Internal Block Diagram of Channel 7 of Timer Array Unit



8.2.1 Timer count register mn (TCRmn)

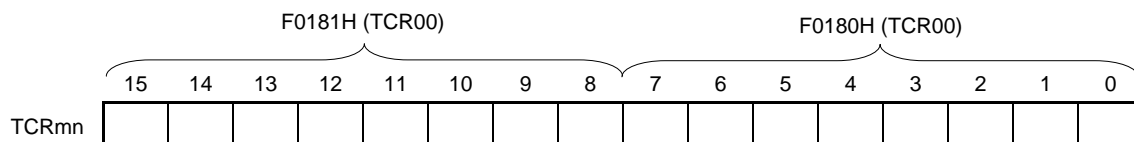
The TCRmn register is a 16-bit read-only register and is used to count clocks.

The value of this counter is incremented or decremented in synchronization with the rising edge of a count clock.

Whether the counter is incremented or decremented depends on the operation mode that is selected by the MDmn3 to MDmn0 bits of timer mode register mn (TMRmn) (see 8.3.4 Timer mode register mn (TMRmn)).

Figure 8-9. Format of Timer Count Register mn (TCRmn)

Address: F0180H, F0181H (TCR00) to F018EH, F018FH (TCR07) After reset: FFFFH R



Remark m: Unit number (m = 0), n: Channel number (n = 0 to 7)

The count value can be read by reading timer count register mn (TCRmn).

The count value is set to FFFFH in the following cases.

- When the reset signal is generated
- When the TAUmEN bit of peripheral enable register 0 (PER0) is cleared
- When counting of the slave channel has been completed in the PWM output mode
- When counting of the slave channel has been completed in the delay count mode
- When counting of the master/slave channel has been completed in the one-shot pulse output mode
- When counting of the slave channel has been completed in the multiple PWM output mode

The count value is cleared to 0000H in the following cases.

- When the start trigger is input in the capture mode
- When capturing has been completed in the capture mode

Caution The count value is not captured to timer data register mn (TDRmn) even when the TCRmn register is read.

The TCRmn register read value differs as follows according to operation mode changes and the operating status.

Table 8-2. Timer Count Register mn (TCRmn) Read Value in Various Operation Modes

Operation Mode	Count Mode	Timer count register mn (TCRmn) Read Value ^{Note}			
		Value if the operation mode was changed after releasing reset	Value if the count operation was paused (TTmn = 1)	Value if the operation mode was changed after count operation paused (TTmn = 1)	Value when waiting for a start trigger after one count
Interval timer mode	Count down	FFFFH	Value if stop	Undefined	–
Capture mode	Count up	0000H	Value if stop	Undefined	–
Event counter mode	Count down	FFFFH	Value if stop	Undefined	–
One-count mode	Count down	FFFFH	Value if stop	Undefined	FFFFH
Capture & one-count mode	Count up	0000H	Value if stop	Undefined	Capture value of TDRmn register + 1

Note This indicates the value read from the TCRmn register when channel n has stopped operating as a timer (TEmn = 0) and has been enabled to operate as a counter (TSmn = 1). The read value is held in the TCRmn register until the count operation starts.

Remark m: Unit number (m = 0), n: Channel number (n = 0 to 7)

8.2.2 Timer data register mn (TDRmn)

This is a 16-bit register from which a capture function and a compare function can be selected.

The capture or compare function can be switched by selecting an operation mode by using the MDmn3 to MDmn0 bits of timer mode register mn (TMRmn).

The value of the TDRmn register can be changed at any time.

This register can be read or written in 16-bit units.

In addition, for the TDRm1 and TDRm3 registers, while in the 8-bit timer mode (when the SPLIT bits of timer mode registers m1 and m3 (TMRm1, TMRm3) are 1), it is possible to rewrite the data in 8-bit units, with TDRm1H and TDRm3H used as the higher 8 bits, and TDRm1L and TDRm3L used as the lower 8 bits.

Reset signal generation clears this register to 0000H.

Figure 8-10. Format of Timer Data Register mn (TDRmn) (n = 0, 2, 4 to 7)

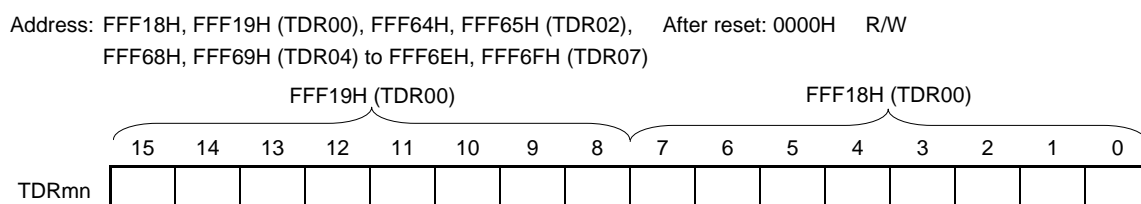
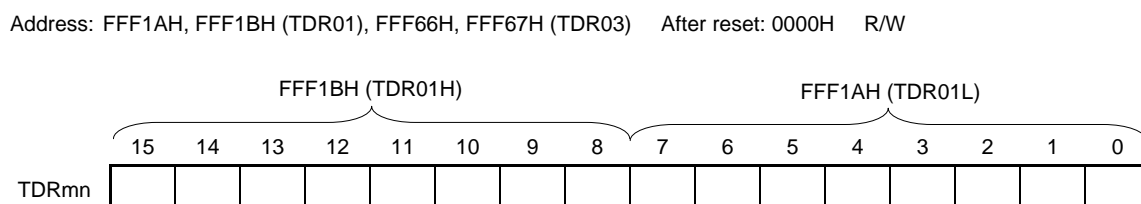


Figure 8-11. Format of Timer Data Register mn (TDRmn) (n = 1, 3)



(i) When timer data register mn (TDRmn) is used as compare register

Counting down is started from the value set to the TDRmn register. When the count value reaches 0000H, an interrupt signal (INTTMmn) is generated. The TDRmn register holds its value until it is rewritten.

Caution The TDRmn register does not perform a capture operation even if a capture trigger is input, when it is set to the compare function.

(ii) When timer data register mn (TDRmn) is used as capture register

The count value of timer count register mn (TCRmn) is captured to the TDRmn register when the capture trigger is input.

A valid edge of the TImn pin can be selected as the capture trigger. This selection is made by timer mode register mn (TMRmn).

Remark m: Unit number (m = 0), n: Channel number (n = 0 to 7)

8.3 Registers Controlling Timer Array Unit

Timer array unit is controlled by the following registers.

- Peripheral enable register 0 (PER0)
- Peripheral reset control register 0 (PRR0)
- Timer clock select register m (TPSm)
- Timer mode register mn (TMRmn)
- Timer status register mn (TSRmn)
- Timer channel enable status register m (TEm)
- Timer channel start register m (TSm)
- Timer channel stop register m (TTm)
- Timer input select register 0 (TIS0)
- Timer output enable register m (TOEm)
- Timer output register m (TOm)
- Timer output level register m (TOLm)
- Timer output mode register m (TOMm)
- Input switch control register (ISC)
- Noise filter enable register 1 (NFEN1)
- Port mode registers (PM0, PM3, PM4, PM6, PM12)
- Port registers (P0, P3, P4, P6, P12)

Remark m: Unit number (m = 0), n: Channel number (n = 0 to 7)

8.3.1 Peripheral enable register 0 (PER0)

This registers is used to enable or disable supplying the clock to the peripheral hardware. Clock supply to a hardware macro that is not used is stopped in order to reduce the power consumption and noise.

When the timer array unit is used, be sure to set bit 0 (TAU0EN) of this register to 1.

The PER0 register can be set by a 1-bit or 8-bit memory manipulation instruction.

Reset signal generation clears this register to 00H.

Figure 8-12. Format of Peripheral Enable Register 0 (PER0)

Address: F00F0H After reset: 00H R/W

Symbol	7	<6>	<5>	<4>	<3>	<2>	1	<0>
PER0	0	IRDAEN	ADCEN	IICA0EN	SAU1EN	SAU0EN	0	TAU0EN

TAU0EN	Control of timer array unit 0 input clock supply
0	Stops input clock supply. <ul style="list-style-type: none"> SFR used by the timer array unit 0 cannot be written. The read value is 00H. However, the SFR is not initialized.^{Note}
1	Enables input clock supply. <ul style="list-style-type: none"> SFR used by the timer array unit 0 can be read and written.

Note To initialize the timer array unit 0 and the SFR used by the timer array unit 0, use bit 0 (TAU0RES) of PRR0.

Cautions 1. When setting the timer array unit, be sure to set the following registers first while the TAUmEN bit is set to 1. If TAUmEN = 0, writing to the registers which control the timer array unit is ignored. (except for the timer input select register 0 (TIS0), input switch control register (ISC), noise filter enable register 1 (NFEN1), port mode registers 0, 3, 4, 6, 12 (PM0, PM3, PM4, PM6, PM12), and port registers 0, 3, 4, 6, 12 (P0, P3, P4, P6, P12)).

- Timer clock select register m (TPSm)
- Timer mode register mn (TMRmn)
- Timer status register mn (TSRmn)
- Timer channel enable status register m (TEm)
- Timer channel start register m (TSM)
- Timer channel stop register m (TTm)
- Timer output enable register m (TOEm)
- Timer output register m (TOM)
- Timer output level register m (TOLm)
- Timer output mode register m (TOMm)

2. Be sure to clear bits 7 and 1 to “0”.

8.3.2 Peripheral reset control register 0 (PRR0)

The PRR0 register is used to control resetting of the on-chip peripheral hardware.

Each bit in this register controls resetting and release of the reset state of the corresponding on-chip peripheral hardware.

When the timer array unit is reset, be sure to set bit 0 (TAU0RES) of this register to 1.

The PRR0 register can be set by a 1-bit or 8-bit memory manipulation instruction.

Reset signal generation clears this register to 00H.

Figure 8-13. Format of Peripheral reset control register 0 (PRR0)

Address: F00F1H After reset: 00H R/W

Symbol	7	<6>	<5>	<4>	<3>	<2>	1	<0>
PRR0	0	IRDARES	ADCRES	IICA0RES	SAU1RES	SAU0RES	0	TAU0RES

TAU0RES	Control of timer array unit 0 reset
0	Releases the timer array unit 0 from the reset state.
1	The timer array unit 0 is in the reset state.

8.3.3 Timer clock select register m (TPSm)

The TPSm register is a 16-bit register that is used to select two types or four types of operation clocks (CKm0, CKm1, CKm2, CKm3) that are commonly supplied to each channel. CKm0 is selected by using bits 3 to 0 of the TPSm register, and CKm1 is selected by using bits 7 to 4 of the TPSm register. In addition, only for channels 1 and 3, CKm2 and CKm3 can be also selected. CKm2 is selected by using bits 9 and 8 of the TPSm register, and CKm3 is selected by using bits 13 and 12 of the TPSm register.

Rewriting of the TPSm register during timer operation is possible only in the following cases.

If the PRSm00 to PRSm03 bits can be rewritten (n = 0 to 7):

All channels for which CKm0 is selected as the operation clock (CKSmn1, CKSmn0 = 0, 0) are stopped (TEmn = 0).

If the PRSm10 to PRSm13 bits can be rewritten (n = 0 to 7):

All channels for which CKm2 is selected as the operation clock (CKSmn1, CKSmn0 = 0, 1) are stopped (TEmn = 0).

If the PRSm20 and PRSm21 bits can be rewritten (n = 1, 3):

All channels for which CKm1 is selected as the operation clock (CKSmn1, CKSmn0 = 1, 0) are stopped (TEmn = 0).

If the PRSm30 and PRSm31 bits can be rewritten (n = 1, 3):

All channels for which CKm3 is selected as the operation clock (CKSmn1, CKSmn0 = 1, 1) are stopped (TEmn = 0).

The TPSm register can be set by a 16-bit memory manipulation instruction.

Reset signal generation clears this register to 0000H.

Figure 8-14. Format of Timer Clock Select register m (TPSm) (1/2)

Address: F01B6H, F01B7H After reset: 0000H R/W

Symbol	15	14	13	12	11	10	9	8	7	6	5	4	3	2	1	0
TPSm	0	0	PRS m31	PRS m30	0	0	PRS m21	PRS m20	PRS m13	PRS m12	PRS m11	PRS m10	PRS m03	PRS m02	PRS m01	PRS m00

PRS mk3	PRS mk2	PRS mk1	PRS mk0	Selection of operation clock (CKmk) ^{Note} (= 0, 1)	Selection of operation clock (CKmk) ^{Note} (= 0, 1)				
					f _{CLK} = 4 MHz	f _{CLK} = 8 MHz	f _{CLK} = 12 MHz	f _{CLK} = 20 MHz	f _{CLK} = 24 MHz
0	0	0	0	f _{CLK}	4 MHz	8 MHz	12 MHz	20 MHz	24 MHz
0	0	0	1	f _{CLK} /2	2 MHz	4 MHz	6 MHz	10 MHz	12 MHz
0	0	1	0	f _{CLK} /2 ²	1 MHz	2 MHz	3 MHz	5 MHz	6 MHz
0	0	1	1	f _{CLK} /2 ³	500 kHz	1 MHz	1.5 MHz	2.5 MHz	3 MHz
0	1	0	0	f _{CLK} /2 ⁴	250 kHz	500 kHz	750 kHz	1.25 MHz	1.5 MHz
0	1	0	1	f _{CLK} /2 ⁵	125 kHz	250 kHz	375 kHz	625 kHz	750 kHz
0	1	1	0	f _{CLK} /2 ⁶	62.5 kHz	125 kHz	188 kHz	313 kHz	375 kHz
0	1	1	1	f _{CLK} /2 ⁷	31.3 kHz	62.5 kHz	93.8 kHz	156 kHz	188 kHz
1	0	0	0	f _{CLK} /2 ⁸	15.6 kHz	31.3 kHz	46.9 kHz	78.1 kHz	93.8 kHz
1	0	0	1	f _{CLK} /2 ⁹	7.81 kHz	15.6 kHz	23.4 kHz	39.1 kHz	46.9 kHz
1	0	1	0	f _{CLK} /2 ¹⁰	3.91 kHz	7.81 kHz	11.7 kHz	19.5 kHz	23.4 kHz
1	0	1	1	f _{CLK} /2 ¹¹	1.95 kHz	3.91 kHz	5.86 kHz	9.76 kHz	11.7 kHz
1	1	0	0	f _{CLK} /2 ¹²	976 Hz	1.95 kHz	2.93 kHz	4.88 kHz	5.86 kHz
1	1	0	1	f _{CLK} /2 ¹³	488 Hz	976 Hz	1.46 kHz	2.44 kHz	2.93 kHz
1	1	1	0	f _{CLK} /2 ¹⁴	244 Hz	488 Hz	732 Hz	1.22 kHz	1.46 kHz
1	1	1	1	f _{CLK} /2 ¹⁵	122 Hz	244 Hz	366 Hz	610 Hz	732 Hz

Note When changing the clock selected for f_{CLK} (by changing the system clock control register (CKC) value), stop timer array unit (TTm = 00FFH).

- Cautions 1.** Be sure to clear bits 15, 14, 11, and 10 to “0”.
- 2.** If f_{CLK} (undivided) is selected as the operation clock (CKmk) and TDRnm is set to 0000H (n = 0, m = 0 to 7), interrupt requests output from timer array units cannot be used.

- Remarks 1.** f_{CLK}: CPU/peripheral hardware clock frequency
- 2.** The above f_{CLK}/2ⁱ is not a signal which is simply divided f_{CLK} by 2ⁱ, but a signal which becomes high level for one period of f_{CLK} from its rising edge (r = 1 to 15). For details, see 8.5.1 Count clock (f_{rCLK}).

Figure 8-14. Format of Timer Clock Select register m (TPSm) (2/2)

Address: F01B6H, F01B7H After reset: 0000H R/W

Symbol	15	14	13	12	11	10	9	8	7	6	5	4	3	2	1	0
TPSm	0	0	PRS m31	PRS m30	0	0	PRS m21	PRS m20	PRS m13	PRS m12	PRS m11	PRS m10	PRS m03	PRS m02	PRS m01	PRS m00

PRS m21	PRS m20	Selection of operation clock (CKm2) ^{Note}					
		$f_{CLK} = 4 \text{ MHz}$	$f_{CLK} = 8 \text{ MHz}$	$f_{CLK} = 12 \text{ MHz}$	$f_{CLK} = 20 \text{ MHz}$	$f_{CLK} = 24 \text{ MHz}$	
0	0	$f_{CLK}/2$	2 MHz	4 MHz	6 MHz	10 MHz	12 MHz
0	1	$f_{CLK}/2^2$	1 MHz	2 MHz	3 MHz	5 MHz	6 MHz
1	0	$f_{CLK}/2^4$	250 kHz	500 kHz	750 kHz	1.25 MHz	1.5 MHz
1	1	$f_{CLK}/2^6$	62.5 kHz	125 kHz	188 kHz	313 kHz	375 kHz

PRS m31	PRS m30	Selection of operation clock (CKm3) ^{Note}					
		$f_{CLK} = 4 \text{ MHz}$	$f_{CLK} = 8 \text{ MHz}$	$f_{CLK} = 12 \text{ MHz}$	$f_{CLK} = 20 \text{ MHz}$	$f_{CLK} = 24 \text{ MHz}$	
0	0	$f_{CLK}/2^8$	15.6 kHz	31.3 kHz	46.9 kHz	78.1 kHz	93.8 kHz
0	1	$f_{CLK}/2^{10}$	3.91 kHz	7.81 kHz	11.7 kHz	19.5 kHz	23.4 kHz
1	0	$f_{CLK}/2^{12}$	976 Hz	1.95 kHz	2.93 kHz	4.88 kHz	5.86 kHz
1	1	$f_{CLK}/2^{14}$	244 Hz	488 Hz	732 Hz	1.22 kHz	1.46 kHz

Note When changing the clock selected for f_{CLK} (by changing the system clock control register (CKC) value), stop timer array unit (TTm = 00FFH).

The timer array unit must also be stopped if the operating clock (f_{MCK}) specified by using the CKSmn0, and CKSmn1 bits or the valid edge of the signal input from the TImn pin is selected as the count clock (f_{TCLK}).

Caution Be sure to clear bits 15, 14, 11, 10 to “0”.

By using channels 1 and 3 in the 8-bit timer mode and specifying CKm2 or CKm3 as the operation clock, the interval times shown in Table 8-3 can be achieved by using the interval timer function.

Table 8-3. Interval Times Available for Operation Clock CKSm2 or CKSm3

Clock		Interval time ^{Note} ($f_{CLK} = 20 \text{ MHz}$)			
		16 μs	160 μs	1.6 ms	16 ms
CKm2	$f_{CLK}/2$	√	–	–	–
	$f_{CLK}/2^2$	√	–	–	–
	$f_{CLK}/2^4$	√	√	–	–
	$f_{CLK}/2^6$	√	√	–	–
CKm3	$f_{CLK}/2^8$	–	√	√	–
	$f_{CLK}/2^{10}$	–	√	√	–
	$f_{CLK}/2^{12}$	–	–	√	√
	$f_{CLK}/2^{14}$	–	–	√	√

Note The margin is within 5 %.

- Remarks 1.** f_{CLK} : CPU/peripheral hardware clock frequency
2. For details of a signal of $f_{CLK}/2^i$ selected with the TPSm register, see **8.5.1 Count clock (f_{TCLK})**.

8.3.4 Timer mode register mn (TMRmn)

The TMRmn register sets an operation mode of channel n. This register is used to select the operation clock (f_{MCK}), select the count clock, select the master/slave, select the 16 or 8-bit timer (only for channels 1 and 3), specify the start trigger and capture trigger, select the valid edge of the timer input, and specify the operation mode (interval, capture, event counter, one-count, or capture and one-count).

Rewriting the TMRmn register is prohibited when the register is in operation (when $TE_{mn} = 1$). However, bits 7 and 6 (CIS_{mn1} , CIS_{mn0}) can be rewritten even while the register is operating with some functions (when $TE_{mn} = 1$) (for details, see **8.8 Independent Channel Operation Function of Timer Array Unit** and **8.9 Simultaneous Channel Operation Function of Timer Array Unit**).

The TMRmn register can be set by a 16-bit memory manipulation instruction.
Reset signal generation clears this register to 0000H.

Caution The bits mounted depend on the channels in the bit 11 of TMRmn register.

TMRm2, TMRm4, TMRm6: MASTERmn bit (n = 2, 4, 6)

TMRm1, TMRm3: SPLITmn bit (n = 1, 3)

TMRm0, TMRm5, TMRm7: Fixed to 0

Figure 8-15. Format of Timer Mode Register mn (TMRmn) (1/4)

Address: F0190H, F0191H (TMR00) to F019EH, F019FH (TMR07) After reset: 0000H R/W

Symbol	15	14	13	12	11	10	9	8	7	6	5	4	3	2	1	0
TMRmn (n = 2, 4, 6)	CKS mn1	CKS mn0	0	CCS mn	MAST ERmn	STS mn2	STS mn1	STS mn0	CIS mn1	CIS mn0	0	0	MD mn3	MD mn2	MD mn1	MD mn0

Symbol	15	14	13	12	11	10	9	8	7	6	5	4	3	2	1	0
TMRmn (n = 1, 3)	CKS mn1	CKS mn0	0	CCS mn	SPLIT mn	STS mn2	STS mn1	STS mn0	CIS mn1	CIS mn0	0	0	MD mn3	MD mn2	MD mn1	MD mn0

Symbol	15	14	13	12	11	10	9	8	7	6	5	4	3	2	1	0
TMRmn (n = 0, 5, 7)	CKS mn1	CKS mn0	0	CCS mn	0 ^{Note}	STS mn2	STS mn1	STS mn0	CIS mn1	CIS mn0	0	0	MD mn3	MD mn2	MD mn1	MD mn0

CKS mn1	CKS mn0	Selection of operation clock (f _{MCK}) of channel n
0	0	Operation clock CKm0 set by timer clock select register m (TPSm)
0	1	Operation clock CKm2 set by timer clock select register m (TPSm)
1	0	Operation clock CKm1 set by timer clock select register m (TPSm)
1	1	Operation clock CKm3 set by timer clock select register m (TPSm)
Operation clock (f _{MCK}) is used by the edge detector. A count clock (f _{TCLK}) and a sampling clock are generated depending on the setting of the CCSmn bit.		
The operation clocks CKm2 and CKm3 can only be selected for channels 1 and 3.		

CCS mn	Selection of count clock (f _{TCLK}) of channel n
0	Operation clock (f _{MCK}) specified by the CKSmn0 and CKSmn1 bits
1	Valid edge of input signal input from the TImn pin In channels 0, 1, 5, 6, and 7, valid edge of input signal selected by TIS0
Count clock (f _{TCLK}) is used for the counter, output controller, and interrupt controller.	

<R>

Note Bit 11 is fixed at 0 of read only, write is ignored.

Cautions 1. Be sure to clear bits 13, 5, and 4 to “0”.

2. The timer array unit must be stopped (TTm = 00FFH) if the clock selected for f_{TCLK} is changed (by changing the value of the system clock control register (CKC)), even if the operating clock specified by using the CKSmn0 and CKSmn1 bits (f_{MCK}) or the valid edge of the signal input from the TImn pin is selected as the count clock (f_{TCLK}).

Remark m: Unit number (m = 0), n: Channel number (n = 0 to 7)

Figure 8-15. Format of Timer Mode Register mn (TMRmn) (2/4)

Address: F0190H, F0191H (TMR00) to F019EH, F019FH (TMR07) After reset: 0000H R/W

Symbol	15	14	13	12	11	10	9	8	7	6	5	4	3	2	1	0
TMRmn (n = 2, 4, 6)	CKS mn1	CKS mn0	0	CCS mn	MAST ERmn	STS mn2	STS mn1	STS mn0	CIS mn1	CIS mn0	0	0	MD mn3	MD mn2	MD mn1	MD mn0

Symbol	15	14	13	12	11	10	9	8	7	6	5	4	3	2	1	0
TMRmn (n = 1, 3)	CKS mn1	CKS mn0	0	CCS mn	SPLIT mn	STS mn2	STS mn1	STS mn0	CIS mn1	CIS mn0	0	0	MD mn3	MD mn2	MD mn1	MD mn0

Symbol	15	14	13	12	11	10	9	8	7	6	5	4	3	2	1	0
TMRmn (n = 0, 5, 7)	CKS mn1	CKS mn0	0	CCS mn	0 ^{Note}	STS mn2	STS mn1	STS mn0	CIS mn1	CIS mn0	0	0	MD mn3	MD mn2	MD mn1	MD mn0

(Bit 11 of TMRmn (n = 2, 4, 6))

MAS TER mn	Selection of independent channel operation or simultaneous channel operation (slave or master) of channel n
0	Operates in independent channel operation function or as slave channel in simultaneous channel operation function.
1	Operates as master channel in simultaneous channel operation function.
<p>Only the channel 2, 4, 6 can be set as a master channel (MASTERmn = 1). Be sure to use channel 0, 5, 7 are fixed to 0 (Regardless of the bit setting, channel 0 operates as master, because it is the highest channel). Clear the MASTERmn bit to 0 for a channel that is used with the independent channel operation function.</p>	

(Bit 11 of TMRmn (n = 1, 3))

SPLI Tmn	Selection of 8 or 16-bit timer operation of channels 1 and 3
0	Operates as 16-bit timer. (Operates in independent channel operation function or as slave channel in simultaneous channel operation function.)
1	Operates as 8-bit timer.

STS mn2	STS mn1	STS mn0	Setting of start trigger or capture trigger of channel n
0	0	0	Only software trigger start is valid (other trigger sources are unselected).
0	0	1	Valid edge of the TImn pin input is used as both the start trigger and capture trigger.
0	1	0	Both the edges of the TImn pin input are used as a start trigger and a capture trigger.
1	0	0	Interrupt signal of the master channel is used (when the channel is used as a slave channel with the simultaneous channel operation function).
Other than above			Setting prohibited

Note Bit 11 is fixed at 0 of read only, write is ignored.

Remark m: Unit number (m = 0), n: Channel number (n = 0 to 7)

Figure 8-15. Format of Timer Mode Register mn (TMRmn) (3/4)

Address: F0190H, F0191H (TMR00) to F019EH, F019FH (TMR07) After reset: 0000H R/W

Symbol	15	14	13	12	11	10	9	8	7	6	5	4	3	2	1	0
TMRmn (n = 2, 4, 6)	CKS mn1	CKS mn0	0	CCS mn	MAST ERmn	STS mn2	STS mn1	STS mn0	CIS mn1	CIS mn0	0	0	MD mn3	MD mn2	MD mn1	MD mn0

Symbol	15	14	13	12	11	10	9	8	7	6	5	4	3	2	1	0
TMRmn (n = 1, 3)	CKS mn1	CKS mn0	0	CCS mn	SPLIT mn	STS mn2	STS mn1	STS mn0	CIS mn1	CIS mn0	0	0	MD mn3	MD mn2	MD mn1	MD mn0

Symbol	15	14	13	12	11	10	9	8	7	6	5	4	3	2	1	0
TMRmn (n = 0, 5, 7)	CKS mn1	CKS mn0	0	CCS mn	0 ^{Note}	STS mn2	STS mn1	STS mn0	CIS mn1	CIS mn0	0	0	MD mn3	MD mn2	MD mn1	MD mn0

CIS mn1	CIS mn0	Selection of TImn pin input valid edge
0	0	Falling edge
0	1	Rising edge
1	0	Both edges (when low-level width is measured) Start trigger: Falling edge, Capture trigger: Rising edge
1	1	Both edges (when high-level width is measured) Start trigger: Rising edge, Capture trigger: Falling edge
If both the edges are specified when the value of the STSmn2 to STSmn0 bits is other than 010B, set the CISmn1 to CISmn0 bits to 10B.		

Note Bit 11 is fixed at 0 of read only, write is ignored.

Remark m: Unit number (m = 0), n: Channel number (n = 0 to 7)

Figure 8-15. Format of Timer Mode Register mn (TMRmn) (4/4)

Address: F0190H, F0191H (TMR00) to F019EH, F019FH (TMR07) After reset: 0000H R/W

Symbol	15	14	13	12	11	10	9	8	7	6	5	4	3	2	1	0
TMRmn (n = 2, 4, 6)	CKS mn1	CKS mn0	0	CCS mn	MAST ERmn	STS mn2	STS mn1	STS mn0	CIS mn1	CIS mn0	0	0	MD mn3	MD mn2	MD mn1	MD mn0

Symbol	15	14	13	12	11	10	9	8	7	6	5	4	3	2	1	0
TMRmn (n = 1, 3)	CKS mn1	CKS mn0	0	CCS mn	SPLIT mn	STS mn2	STS mn1	STS mn0	CIS mn1	CIS mn0	0	0	MD mn3	MD mn2	MD mn1	MD mn0

Symbol	15	14	13	12	11	10	9	8	7	6	5	4	3	2	1	0
TMRmn (n = 0, 5, 7)	CKS mn1	CKS mn0	0	CCS mn	0 ^{Note 1}	STS mn2	STS mn1	STS mn0	CIS mn1	CIS mn0	0	0	MD mn3	MD mn2	MD mn1	MD mn0

MD mn3	MD mn2	MD mn1	Operation mode of channel n	Corresponding function	Count operation of TCR
0	0	0	Interval timer mode	Interval timer/Square wave output/PWM output (master)	Counting down
0	1	0	Capture mode	Input pulse interval measurement	Counting up
0	1	1	Event counter mode	External event counter	Counting down
1	0	0	One-count mode	Delay counter/One-shot pulse output/PWM output (slave)	Counting down
1	1	0	Capture & one-count mode	Measurement of high-/low-level width of input signal	Counting up
Other than above			Setting prohibited		

The operation of each mode varies depending on MDmn0 bit (see the table below).

Operation mode (Value set by the MDmn3 to MDmn1 bits (see table above))	MD mn0	Setting of starting counting and interrupt
<ul style="list-style-type: none"> Interval timer mode (0, 0, 0) Capture mode (0, 1, 0) 	0	Timer interrupt is not generated when counting is started (timer output does not change, either).
	1	Timer interrupt is generated when counting is started (timer output also changes).
<ul style="list-style-type: none"> Event counter mode (0, 1, 1) 	0	Timer interrupt is not generated when counting is started (timer output does not change, either).
<ul style="list-style-type: none"> One-count mode^{Note 2} (1, 0, 0) 	0	Start trigger is invalid during counting operation. At that time, interrupt is not generated.
	1	Start trigger is valid during counting operation ^{Note 3} . At that time, interrupt is not generated.
<ul style="list-style-type: none"> Capture & one-count mode (1, 1, 0) 	0	Timer interrupt is not generated when counting is started (timer output does not change, either). Start trigger is invalid during counting operation. At that time interrupt is not generated.

(Notes and Remark are listed on the next page.)

- Notes**
1. Bit 11 is fixed at 0 of read only, write is ignored.
 2. In one-count mode, interrupt output (INTTMmn) when starting a count operation and TOMn output are not controlled.
 3. If the start trigger (TSMn = 1) is issued during operation, the counter is initialized, and recounting is started (does not occur the interrupt request).

Remark m: Unit number (m = 0), n: Channel number (n = 0 to 7)

8.3.5 Timer status register mn (TSRmn)

The TSRmn register indicates the overflow status of the counter of channel n.

The TSRmn register is valid only in the capture mode (MDmn3 to MDmn1 = 010B) and capture & one-count mode (MDmn3 to MDmn1 = 110B). See **Table 8-4** for the operation of the OVF bit in each operation mode and set/clear conditions.

The TSRmn register can be read by a 16-bit memory manipulation instruction.

The lower 8 bits of the TSRmn register can be set with an 8-bit memory manipulation instruction with TSRmnL.

Reset signal generation clears this register to 0000H.

Figure 8-16. Format of Timer Status Register mn (TSRmn)

Address: F01A0H, F01A1H (TSR00) to F01AEH, F01AFH (TSR07) After reset: 0000H R

Symbol	15	14	13	12	11	10	9	8	7	6	5	4	3	2	1	0
TSRmn	0	0	0	0	0	0	0	0	0	0	0	0	0	0	0	OVF

OVF	Counter overflow status of channel n
0	Overflow does not occur.
1	Overflow occurs.
When OVF = 1, this flag is cleared (OVF = 0) when the next value is captured without overflow.	

Remark m: Unit number (m = 0), n: Channel number (n = 0 to 7)

Table 8-4. OVF Bit Operation and Set/Clear Conditions in Each Operation Mode

Timer Operation Mode	OVF Bit	Set/clear Conditions
<ul style="list-style-type: none"> • Capture mode • Capture & one-count mode 	clear	When no overflow has occurred upon capturing
	set	When an overflow has occurred upon capturing
<ul style="list-style-type: none"> • Interval timer mode • Event counter mode • One-count mode 	clear	- (Use prohibited)
	set	

Remark The OVF bit does not change immediately after the counter has overflowed, but changes upon the subsequent capture.

8.3.6 Timer channel enable status register m (TE_m)

The TE_m register is used to enable or stop the timer operation of each channel.

Each bit of the TE_m register corresponds to each bit of the timer channel start register m (T_{Sm}) and the timer channel stop register m (T_{Tm}). When a bit of the T_{Sm} register is set to 1, the corresponding bit of this register is set to 1. When a bit of the T_{Tm} register is set to 1, the corresponding bit of this register is cleared to 0.

The TE_m register can be read by a 16-bit memory manipulation instruction.

The lower 8 bits of the TE_m register can be set with a 1-bit or 8-bit memory manipulation instruction with TE_{mL}.

Reset signal generation clears this register to 0000H.

Figure 8-17. Format of Timer Channel Enable Status register m (TE_m)

Address: F01B0H, F01B1H After reset: 0000H R

Symbol	15	14	13	12	11	10	9	8	7	6	5	4	3	2	1	0
TE _m	0	0	0	0	TEH _m 3	0	TEH _m 1	0	TE _m 7	TE _m 6	TE _m 5	TE _m 4	TE _m 3	TE _m 2	TE _m 1	TE _m 0

TEH 03	Indication of whether operation of the higher 8-bit timer is enabled or stopped when channel 3 is in the 8-bit timer mode
0	Operation is stopped.
1	Operation is enabled.

TEH 01	Indication of whether operation of the higher 8-bit timer is enabled or stopped when channel 1 is in the 8-bit timer mode
0	Operation is stopped.
1	Operation is enabled.

TE _m _n	Indication of operation enable/stop status of channel n
0	Operation is stopped.
1	Operation is enabled.
This bit displays whether operation of the lower 8-bit timer for TE _m 1 and TE _m 3 is enabled or stopped when channel 1 or 3 is in the 8-bit timer mode.	

Remark m: Unit number (m = 0), n: Channel number (n = 0 to 7)

8.3.7 Timer channel start register m (TSm)

The TSm register is a trigger register that is used to initialize timer count register mn (TCRmn) and start the counting operation of each channel.

When a bit of this register is set to 1, the corresponding bit of timer channel enable status register m (TEm) is set to 1. The TSmn, TSHm1, TSHm3 bits are immediately cleared when operation is enabled (TEmn, TEHm1, TEHm3 = 1), because they are trigger bits.

The TSm register can be set by a 16-bit memory manipulation instruction.

The lower 8 bits of the TSm register can be set with a 1-bit or 8-bit memory manipulation instruction with TSmL.

Reset signal generation clears this register to 0000H.

Figure 8-18. Format of Timer Channel Start register m (TSm)

Address: F01B2H, F01B3H After reset: 0000H R/W

Symbol	15	14	13	12	11	10	9	8	7	6	5	4	3	2	1	0
TSm	0	0	0	0	TSHm 3	0	TSHm 1	0	TSm 7	TSm 6	TSm 5	TSm 4	TSm 3	TSm 2	TSm 1	TSm 0

TSHm3	Trigger to enable operation (start operation) of the higher 8-bit timer when channel 3 is in the 8-bit timer mode
0	No trigger operation
1	The TEHm3 bit is set to 1 and the count operation becomes enabled. The TCRm3 register count operation start in the interval timer mode in the count operation enabled state (see Table 8-5 in 8.5.2 Start timing of counter).

TSHm1	Trigger to enable operation (start operation) of the higher 8-bit timer when channel 1 is in the 8-bit timer mode
0	No trigger operation
1	The TEHm1 bit is set to 1 and the count operation becomes enabled. The TCRm1 register count operation start in the interval timer mode in the count operation enabled state (see Table 8-5 in 8.5.2 Start timing of counter).

TSmn	Operation enable (start) trigger of channel n
0	No trigger operation
1	The TEMn bit is set to 1 and the count operation becomes enabled. The TCRmn register count operation start in the count operation enabled state varies depending on each operation mode (see Table 8-5 in 8.5.2 Start timing of counter). This bit is the trigger to enable operation (start operation) of the lower 8-bit timer for TSm1 and TSm3 when channel 1 or 3 is in the 8-bit timer mode.

- Cautions**
1. Be sure to clear bits 15 to 12, 10, 8 to "0"
 2. When switching from a function that does not use TImn pin input to one that does, the following wait period is required from when timer mode register mn (TMRmn) is set until the TSmn (TSHm1, TSHm3) bit is set to 1.
 When the TImn pin noise filter is enabled (TNFENm = 1): Four cycles of the operation clock (f_{MCK})
 When the TImn pin noise filter is disabled (TNFENm = 0): Two cycles of the operation clock (f_{MCK})

- Remarks**
1. When the TSm register is read, 0 is always read.
 2. m: Unit number (m = 0), n: Channel number (n = 0 to 7)

8.3.8 Timer channel stop register m (TTm)

The TTm register is a trigger register that is used to stop the counting operation of each channel.

When a bit of this register is set to 1, the corresponding bit of timer channel enable status register m (TEm) is cleared to 0. The TTmn, TTHm1, TTHm3 bits are immediately cleared when operation is stopped (TEmn, TTHm1, TTHm3 = 0), because they are trigger bits.

The TTm register can be set by a 16-bit memory manipulation instruction.

The lower 8 bits of the TTm register can be set with a 1-bit or 8-bit memory manipulation instruction with TTmL.

Reset signal generation clears this register to 0000H.

Figure 8-19. Format of Timer Channel Stop register m (TTm)

Address: F01B4H, F01B5H After reset: 0000H R/W

Symbol	15	14	13	12	11	10	9	8	7	6	5	4	3	2	1	0
TTm	0	0	0	0	TTHm 3	0	TTHm 1	0	TTm 7	TTm 6	TTm 5	TTm 4	TTm 3	TTm 2	TTm 1	TTm 0

TTHm3	Trigger to stop operation of the higher 8-bit timer when channel 3 is in the 8-bit timer mode
0	No trigger operation
1	TEHm3 bit is cleared to 0 and the count operation is stopped.

TTHm1	Trigger to stop operation of the higher 8-bit timer when channel 1 is in the 8-bit timer mode
0	No trigger operation
1	TEHm1 bit is cleared to 0 and the count operation is stopped.

TTm n	Operation stop trigger of channel n
0	No trigger operation
1	TEmn bit clear to 0, to be count operation stop enable status. This bit is the trigger to stop operation of the lower 8-bit timer for TTm1 and TTm3 when channel 1 or 3 is in the 8-bit timer mode.

Caution Be sure to clear bits 15 to 12, 10, 8 of the TTm register to “0”.

- Remarks 1.** When the TTm register is read, 0 is always read.
2. m: Unit number (m = 0),n: Channel number (n = 0 to 7)

8.3.9 Timer input select register 0 (TIS0)

The TIS0 register is used to select the channel 0, 1, 5, 6, 7 timer input.

The TIS0 register can be set by an 8-bit memory manipulation instruction.

Reset signal generation clears this register to 00H.

Figure 8-20. Format of Timer Input Select register 0 (TIS0)

Address: F0074H After reset: 00H R/W

Symbol	7	6	5	4	3	2	1	0
TIS0	TIS07	TIS06	TIS05	TIS04	TIS03	TIS02	TIS01	TIS00

TIS07	TIS06	Selection of timer input used with channel 7
0	0	Input signal of timer input pin (TI07)
0	1	RTCOUT output signal ^{Note}
1	0	RXDo input pin
1	1	Event input signal from ELC

TIS05	Selection of timer input used with channel 6
0	Input signal of timer input pin (TI06)
0	RTCOUT output signal ^{Note}

TIS04	Selection of timer input used with channel 1
0	Input signal of timer input pin (TI01)
1	Event input signal from ELC

TIS03	Selection of timer input used with channel 0
0	Input signal of timer input pin (TI00)
1	Event input signal from ELC

TIS02	TIS01	TIS00	Selection of timer input used with channel 5
0	0	0	Input signal of timer input pin (TI05)
0	0	1	Event input signal from ELC
0	1	0	Input signal of timer input pin (TI05)
0	1	1	Medium-speed on-chip oscillator clock (f _M)
1	0	0	Low-speed on-chip oscillator clock (f _L)
1	0	1	Subsystem clock (f _{SUB})
Other than above			Setting prohibited

Note When the RTCOUT output signal is selected, be sure to select it as an input source for both of channel 6 and 7.

Caution High-level width, low-level width of timer input is selected, will require more than 1/f_{MCK} +10 ns. Therefore, when selecting f_{SUB} to f_{CLK} (CSS bit of CKC register = 1), can not TIS02 bit set to 1.

8.3.10 Timer output enable register m (TOEm)

The TOEm register is used to enable or disable timer output of each channel.

Channel n for which timer output has been enabled becomes unable to rewrite the value of the TOMn bit of timer output register m (TOM) described later by software, and the value reflecting the setting of the timer output function through the count operation is output from the timer output pin (TOMn).

The TOEm register can be set by a 16-bit memory manipulation instruction.

The lower 8 bits of the TOEm register can be set with a 1-bit or 8-bit memory manipulation instruction with TOEmL.

Reset signal generation clears this register to 0000H.

Figure 8-21. Format of Timer Output Enable register m (TOEm)

Address: F01BAH, F01BBH After reset: 0000H R/W

Symbol	15	14	13	12	11	10	9	8	7	6	5	4	3	2	1	0
TOEm	0	0	0	0	0	0	0	0	TOE m7	TOE m6	TOE m5	TOE m4	TOE m3	TOE m2	TOE m1	TOE m0

TOE mn	Timer output enable/disable of channel n
0	Disable output of timer. Without reflecting on TOMn bit timer operation, to fixed the output. Writing to the TOMn bit is enabled and the level set in the TOMn bit is output from the TOMn pin.
1	Enable output of timer. Reflected in the TOMn bit timer operation, to generate the output waveform. Writing to the TOMn bit is disabled (writing is ignored).

Caution Be sure to clear bits 15 to 8 to “0”.

Remark m: Unit number (m = 0), n: Channel number (n = 0 to 7)

8.3.11 Timer output register m (TOM)

The TOM register is a buffer register of timer output of each channel.

The value of each bit in this register is output from the timer output pin (TOMn) of each channel.

The TOMn bit of this register can be rewritten by software only when timer output is disabled (TOEmn = 0). When timer output is enabled (TOEmn = 1), rewriting this register by software is ignored, and the value is changed only by the timer operation.

To use the P43/TI00/TO00, P41/TI01/TO01, P07/TI02/TO02, P06/TI03/TO03, P05/TI04/TO04, P04/TI05/TO05, P03/TI06/TO06, or P02/TI07/TO07 pin as a port function pin, set the corresponding TOMn bit to "0".

The TOM register can be set by a 16-bit memory manipulation instruction.

The lower 8 bits of the TOM register can be set with an 8-bit memory manipulation instruction with TOML.

Reset signal generation clears this register to 0000H.

Figure 8-22. Format of Timer Output register m (TOM)

Address: F01B8H, F01B9H After reset: 0000H R/W

Symbol	15	14	13	12	11	10	9	8	7	6	5	4	3	2	1	0
TOM	0	0	0	0	0	0	0	0	TOM 7	TOM 6	TOM 5	TOM 4	TOM 3	TOM 2	TOM 1	TOM 0

TOM n	Timer output of channel n
0	Timer output value is "0".
1	Timer output value is "1".

Caution Be sure to clear bits 15 to 8 to "0".

Remark m: Unit number (m = 0), n: Channel number (n = 0 to 7)

8.3.12 Timer output level register m (TOLm)

The TOLm register is a register that controls the timer output level of each channel.

The setting of the inverted output of channel n by this register is reflected at the timing of set or reset of the timer output signal while the timer output is enabled (TOEmn = 1) in the Slave channel output mode (TOMmn = 1). In the master channel output mode (TOMmn = 0), this register setting is invalid.

The TOLm register can be set by a 16-bit memory manipulation instruction.

The lower 8 bits of the TOLm register can be set with an 8-bit memory manipulation instruction with TOLmL.

Reset signal generation clears this register to 0000H.

Figure 8-23. Format of Timer Output Level register m (TOLm)

Address: F01BCH, F01BDH After reset: 0000H R/W

Symbol	15	14	13	12	11	10	9	8	7	6	5	4	3	2	1	0
TOLm	0	0	0	0	0	0	0	0	TOL m7	TOL m6	TOL m5	TOL m4	TOL m3	TOL m2	TOL m1	0

TOL mn	Control of timer output level of channel n														
0	Positive logic output (active-high)														
1	Negative logic output (active-low)														

Caution Be sure to clear bits 15 to 8, and 0 to “0”.

- Remarks 1.** If the value of this register is rewritten during timer operation, the timer output logic is inverted when the timer output signal changes next, instead of immediately after the register value is rewritten.
- 2.** m: Unit number (m = 0), n: Channel number (n = 0 to 7)

8.3.13 Timer output mode register m (TOMm)

The TOMm register is used to control the timer output mode of each channel.

When a channel is used for the independent channel operation function, set the corresponding bit of the channel to be used to 0.

When a channel is used for the simultaneous channel operation function (PWM output, one-shot pulse output, or multiple PWM output), set the corresponding bit of the master channel to 0 and the corresponding bit of the slave channel to 1.

The setting of each channel n by this register is reflected at the timing when the timer output signal is set or reset while the timer output is enabled (TOEmn = 1).

The TOMm register can be set by a 16-bit memory manipulation instruction.

The lower 8 bits of the TOMm register can be set with an 8-bit memory manipulation instruction with TOMmL.

Reset signal generation clears this register to 0000H.

Figure 8-24. Format of Timer Output Mode register m (TOMm)

Address: F01BEH, F01BFH After reset: 0000H R/W

Symbol	15	14	13	12	11	10	9	8	7	6	5	4	3	2	1	0
TOMm	0	0	0	0	0	0	0	0	TOM m7	TOM m6	TOM m5	TOM m4	TOM m3	TOM m2	TOM m1	0

TOM mn	Control of timer output mode of channel n
0	Master channel output mode (to produce toggle output by timer interrupt request signal (INTTMmn))
1	Slave channel output mode (output is set by the timer interrupt request signal (INTTMmn) of the master channel, and reset by the timer interrupt request signal (INTTM0p) of the slave channel)

Caution Be sure to clear bits 15 to 8, and 0 to “0”.

Remark m: Unit number (m = 0)
 n: Channel number
 n = 0 to 7 (n = 0, 2, 4, 6 for master channel)
 p: Slave channel number
 n < p ≤ 7
 (For details of the relation between the master channel and slave channel, see **8.4.1 Basic rules of simultaneous channel operation function.**)

8.3.14 Input switch control register (ISC)

The ISC register is used to select the input signal for an external interrupt (INTP0).

This register can be set by a 1-bit or 8-bit memory manipulation instruction.

Reset signal generation clears this register to 00H.

Figure 8-25. Format of Input Switch Control Register (ISC)

Address: F0073H After reset: 00H R/W

Symbol	7	6	5	4	3	2	1	0
ISC	0	0	0	0	0	0	0	ISC0

ISC0	Switching external interrupt (INTP0) input
0	Uses the input signal of the INTP0 pin as an external interrupt (normal operation).
1	Uses the input signal of the RxD0 pin as an external interrupt (wake-up signal detection).

Caution Be sure to clear bits 7 to 1 to "0".

8.3.15 Noise filter enable register 1 (NFEN1)

The NFEN1 register is used to set whether the noise filter can be used for the timer input signal to each channel.

Enable the noise filter by setting the corresponding bits to 1 on the pins in need of noise removal.

When the noise filter is enabled, after synchronization with the operating clock (f_{MCK}) for the target channel, whether the signal keeps the same value for two clock cycles is detected. When the noise filter is disabled, the input signal is only synchronized with the operating clock (f_{MCK}) for the target channel^{Note}.

The NFEN1 register can be set by a 1-bit or 8-bit memory manipulation instruction.

Reset signal generation clears this register to 00H.

Note For details, see **8.5.1 (2) When valid edge of input signal via the TImn pin is selected (CCS_{mn} = 1)**, **8.5.2 Start timing of counter**, and **8.7 Timer Input (TImn) Control**.

Figure 8-26. Format of Noise Filter Enable Register 1 (NFEN1)

Address: F0071H After reset: 00H R/W

Symbol	7	6	5	4	3	2	1	0
NFEN1	TNFEN07	TNFEN06	TNFEN05	TNFEN04	TNFEN03	TNFEN02	TNFEN01	TNFEN00

TNFEN07	Enable/disable using noise filter of TI07 pin or RxD0 pin input signal ^{Note}
0	Noise filter OFF
1	Noise filter ON

TNFEN06	Enable/disable using noise filter of TI06 pin input signal
0	Noise filter OFF
1	Noise filter ON

TNFEN05	Enable/disable using noise filter of TI05 pin input signal
0	Noise filter OFF
1	Noise filter ON

TNFEN04	Enable/disable using noise filter of TI04 pin input signal
0	Noise filter OFF
1	Noise filter ON

TNFEN03	Enable/disable using noise filter of TI03 pin input signal
0	Noise filter OFF
1	Noise filter ON

TNFEN02	Enable/disable using noise filter of TI02 pin input signal
0	Noise filter OFF
1	Noise filter ON

TNFEN01	Enable/disable using noise filter of TI01 pin input signal
0	Noise filter OFF
1	Noise filter ON

TNFEN00	Enable/disable using noise filter of TI00 pin input signal
0	Noise filter OFF
1	Noise filter ON

- Note** The applicable pin can be switched by setting the ISC1 bit of the ISC register.
- ISC1 = 0: Whether or not to use the noise filter of the TI07 pin can be selected.
 - ISC1 = 1: Whether or not to use the noise filter of the RxD0 pin can be selected.

8.3.16 Registers controlling port functions of pins to be used for timer I/O

Using port pins for the timer array unit functions requires setting of the registers that control the port functions multiplexed on the target pins (port mode register (PMxx) and port register (Pxx)). For details, see **4.3.1 Port mode registers (PMxx)** and **4.3.2 Port registers (Pxx)**.

The port mode register (PMxx) and port register (Pxx) to be set depend on the product. For details, see **4.5 Register Settings When Using Alternate Function**.

When using the ports (such as P43/TI00/TO00) to be shared with the timer output pin for timer output, set the port mode register (PMxx) bit and port register (Pxx) bit corresponding to each port to 0.

Example: When using P43/ TO00 for timer output

Set the PM43 bit of port mode register 4 to 0.

Set the P43 bit of port register 4 to 0.

When using the ports (such as P43/TI00) to be shared with the timer input pin for timer input, set the port mode register (PMxx) bit corresponding to each port to 1. At this time, the port register (Pxx) bit may be 0 or 1.

Example: When using P43/TO00 for timer input

Set the PM43 bit of port mode register 4 to 1.

Set the P43 bit of port register 4 to 0 or 1.

Remarks 1. In case of 80-pin product, in order to use a port that is shared with segment output for timer I/O function, be sure to set the corresponding bits of LCD port function register 4 (PFSEG4) bits PFSEG32 to PFSEG37 to "0".

In case of 64-pin product, in order to use a port that is shared with segment output for timer I/O function, be sure to set the corresponding bits of LCD port function register 3 (PFSEG3) bits PFSEG25 to PFSEG24 to "0".

2. When using the P125/(TI05)/(TO05)/V_{L3} pin for timer I/O, be sure to clear the ISCVL3 bit of the LCD Input switch control register (ISCLCD) to "0".
3. When using the P126/(TI04)/(TO04)/CAPL and P127/(TI03)/(TO03)/CAPH pins for timer I/O, be sure to clear the ISCCAP bit of the LCD Input switch control register (ISCLCD) to "1".

8.4 Basic Rules of Timer Array Unit

8.4.1 Basic rules of simultaneous channel operation function

When simultaneously using multiple channels, namely, a combination of a master channel (a reference timer mainly counting the cycle) and slave channels (timers operating according to the master channel), the following rules apply.

- (1) Only an even channel (channel 0, 2, 4, etc.) can be set as a master channel.
- (2) Any channel, except channel 0, can be set as a slave channel.
- (3) The slave channel must be lower than the master channel.

Example: If channel 2 is set as a master channel, channel 3 or those that follow (channels 3, 4, 5, etc.) can be set as a slave channel.

- (4) Two or more slave channels can be set for one master channel.
- (5) When two or more master channels are to be used, slave channels with a master channel between them may not be set.

Example: If channels 0 and 4 are set as master channels, channels 1 to 3 can be set as the slave channels of master channel 0. Channels 5 to 7 cannot be set as the slave channels of master channel 0.

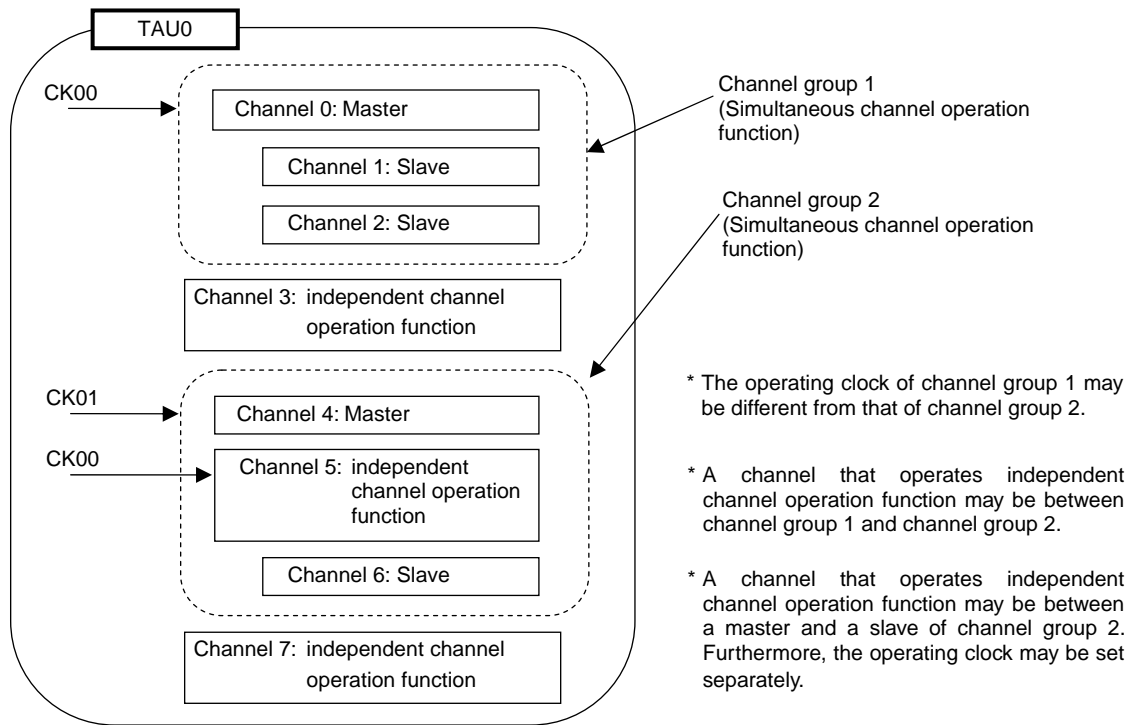
- (6) The operating clock for a slave channel in combination with a master channel must be the same as that of the master channel. The CKSmn0, CKSmn1 bits (bit 15, 14 of timer mode register mn (TMRmn)) of the slave channel that operates in combination with the master channel must be the same value as that of the master channel.
- (7) A master channel can transmit INTTMmn (interrupt), start software trigger, and count clock to the lower channels.
- (8) A slave channel can use INTTMmn (interrupt), a start software trigger, or the count clock of the master channel as a source clock, but cannot transmit its own INTTMmn (interrupt), start software trigger, or count clock to channels with lower channel numbers.
- (9) A master channel cannot use INTTMmn (interrupt), a start software trigger, or the count clock from the other higher master channel as a source clock.
- (10) To simultaneously start channels that operate in combination, the channel start trigger bit (TSmn) of the channels in combination must be set at the same time.
- (11) During the counting operation, a TSmn bit of a master channel or TSmn bits of all channels which are operating simultaneously can be set. It cannot be applied to TSmn bits of slave channels alone.
- (12) To stop the channels in combination simultaneously, the channel stop trigger bit (TTmn) of the channels in combination must be set at the same time.
- (13) CKm2/CKm3 cannot be selected while channels are operating simultaneously, because the operating clocks of master channels and slave channels have to be synchronized.
- (14) Timer mode register m0 (TMRm0) has no master bit (it is fixed as "0"). However, as channel 0 is the highest channel, it can be used as a master channel during simultaneous operation.

The rules of the simultaneous channel operation function are applied in a channel group (a master channel and slave channels forming one simultaneous channel operation function).

If two or more channel groups that do not operate in combination are specified, the basic rules of the simultaneous channel operation function in **8.4.1 Basic rules of simultaneous channel operation function** do not apply to the channel groups.

Remark m: Unit number (m = 0), n: Channel number (n = 0 to 7)

Example



8.4.2 Basic rules of 8-bit timer operation function (channels 1 and 3 only)

The 8-bit timer operation function makes it possible to use a 16-bit timer channel in a configuration consisting of two 8-bit timer channels.

This function can only be used for channels 1 and 3, and there are several rules for using it.

The basic rules for this function are as follows:

- (1) The 8-bit timer operation function applies only to channels 1 and 3.
- (2) When using 8-bit timers, set the SPLIT bit of timer mode register mn (TMRmn) to 1.
- (3) The higher 8 bits can be operated as the interval timer function.
- (4) At the start of operation, the higher 8 bits output INTTm1H/INTTm3H (an interrupt) (which is the same operation performed when MDmn0 is set to 1).
- (5) The operation clock of the higher 8 bits is selected according to the CKSmn1 and CKSmn0 bits of the lower-bit TMRmn register.
- (6) For the higher 8 bits, the TSHm1/TSHm3 bit is manipulated to start channel operation and the TTHm1/TTHm3 bit is manipulated to stop channel operation. The channel status can be checked using the TEHm1/TEHm3 bit.
- (7) The lower 8 bits operate according to the TMRmn register settings. The following three functions support operation of the lower 8 bits:
 - Interval timer function
 - External event counter function
 - Delay count function
- (8) For the lower 8 bits, the TSm1/TSm3 bit is manipulated to start channel operation and the TTm1/TTm3 bit is manipulated to stop channel operation. The channel status can be checked using the TEM1/TEm3 bit.
- (9) During 16-bit operation, manipulating the TSHm1, TSHm3, TTHm1, and TTHm3 bits is invalid. The TSm1, TSm3, TTm1, and TTm3 bits are manipulated to operate channels 1 and 3. The TEHm3 and TEHm1 bits are not changed.
- (10) For the 8-bit timer function, the simultaneous operation functions (one-shot pulse, PWM, and multiple PWM) cannot be used.

Remark m: Unit number (m = 0), n: Channel number (n = 1, 3)

8.5 Operation of Counter

8.5.1 Count clock (f_{TCLK})

The count clock (f_{TCLK}) of the timer array unit can be selected between following by CCS_{mn} bit of timer mode register mn (TMR_{mn}).

- Operation clock (f_{MCK}) specified by the CKS_{mn0} and CKS_{mn1} bits
- Valid edge of input signal input from the TImn pin

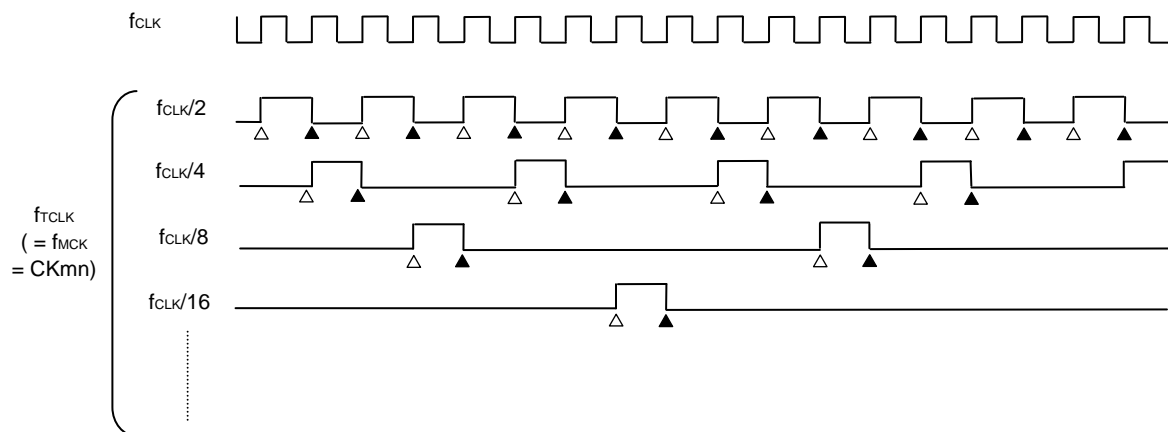
Because the timer array unit is designed to operate in synchronization with f_{CLK}, the timings of the count clock (f_{TCLK}) are shown below.

(1) When operation clock (f_{MCK}) specified by the CKS_{mn0} and CKS_{mn1} bits is selected (CCS_{mn} = 0)

The count clock (f_{TCLK}) is between f_{CLK} to f_{CLK} / 2¹⁵ by setting of timer clock select register m (TPS_m). When a divided f_{CLK} is selected, however, the clock selected in TPS_m register, but a signal which becomes high level for one period of f_{CLK} from its rising edge. When a f_{CLK} is selected, fixed to high level

Counting of timer count register mn (TCR_{mn}) delayed by one period of f_{CLK} from rising edge of the count clock, because of synchronization with f_{CLK}. But, this is described as “counting at rising edge of the count clock”, as a matter of convenience.

Figure 8-27. Timing of f_{CLK} and count clock (f_{TCLK}) (When CCS_{mn} = 0)



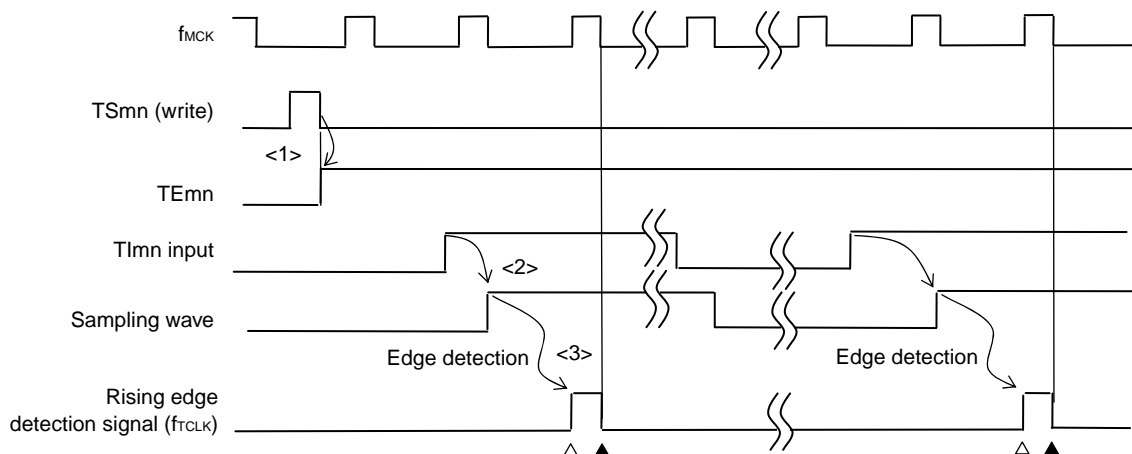
- Remarks 1.** Δ : Rising edge of the count clock
 ▲ : Synchronization, increment/decrement of counter
- 2.** f_{CLK}: CPU/peripheral hardware clock

(2) When valid edge of input signal via the TImn pin is selected (CCSmn = 1)

The count clock (f_{TCLK}) becomes the signal that detects valid edge of input signal via the TImn pin and synchronizes next rising f_{MCK} . The count clock (f_{TCLK}) is delayed for 1 to 2 period of f_{MCK} from the input signal via the TImn pin (when a noise filter is used, the delay becomes 3 to 4 clock).

Counting of timer count register mn (TCRmn) delayed by one period of f_{CLK} from rising edge of the count clock, because of synchronization with f_{CLK} . But, this is described as “counting at valid edge of input signal via the TImn pin”, as a matter of convenience.

Figure 8-28. Timing of f_{CLK} and count clock (f_{TCLK}) (When CCSmn = 1, noise filter unused)



- <1> Setting TSmn bit to 1 enables the timer to be started and to become wait state for valid edge of input signal via the TImn pin.
- <2> The rise of input signal via the TImn pin is sampled by f_{MCK} .
- <3> The edge is detected by the rising of the sampled signal and the detection signal (count clock) is output.

- Remarks 1.** ▲ : Rising edge of the count clock
 ▲ : Synchronization, increment/decrement of counter
2. f_{CLK} : CPU/peripheral hardware clock
 f_{MCK} : Operation clock of channel n
 3. The waveform of the TImn pin input signal, which is used for input pulse interval measurement, input signal of high/low width measurement, the delay counter, and one-shot pulse output, is the same as that shown in above figure.

8.5.2 Start timing of counter

Timer count register mn (TCRmn) becomes enabled to operation by setting of TSmn bit of timer channel start register m (TSm).

Operations from count operation enabled state to timer count Register mn (TCRmn) count start is shown in Table 8-5.

Table 8-5. Operations from Count Operation Enabled State to Timer Count Register mn (TCRmn) Count Start

Timer Operation Mode	Operation When TSmn = 1 Is Set
<ul style="list-style-type: none"> Interval timer mode 	<p>No operation is carried out from start trigger detection (TSmn=1) until count clock generation.</p> <p>The first count clock loads the value of the TDRmn register to the TCRmn register and the subsequent count clock performs count down operation (see 8.5.3 (1) Operation of interval timer mode).</p>
<ul style="list-style-type: none"> Event counter mode 	<p>Writing 1 to the TSmn bit loads the value of the TDRmn register to the TCRmn register.</p> <p>If detect edge of Timn input. The subsequent count clock performs count down operation (see 8.5.3 (2) Operation of event counter mode).</p>
<ul style="list-style-type: none"> Capture mode 	<p>No operation is carried out from start trigger detection (TSmn = 1) until count clock generation.</p> <p>The first count clock loads 0000H to the TCRmn register and the subsequent count clock performs count up operation (see 8.5.3 (3) Operation of capture mode (input pulse interval measurement)).</p>
<ul style="list-style-type: none"> One-count mode 	<p>The waiting-for-start-trigger state is entered by writing 1 to the TSmn bit while the timer is stopped (TEmn = 0).</p> <p>No operation is carried out from start trigger detection until count clock generation.</p> <p>The first count clock loads the value of the TDRmn register to the TCRmn register and the subsequent count clock performs count down operation (see 8.5.3 (4) Operation of one-count mode).</p>
<ul style="list-style-type: none"> Capture & one-count mode 	<p>The waiting-for-start-trigger state is entered by writing 1 to the TSmn bit while the timer is stopped (TEmn = 0).</p> <p>No operation is carried out from start trigger detection until count clock generation.</p> <p>The first count clock loads 0000H to the TCRmn register and the subsequent count clock performs count up operation (see 8.5.3 (5) Operation of capture & one-count mode (high-level width measurement)).</p>

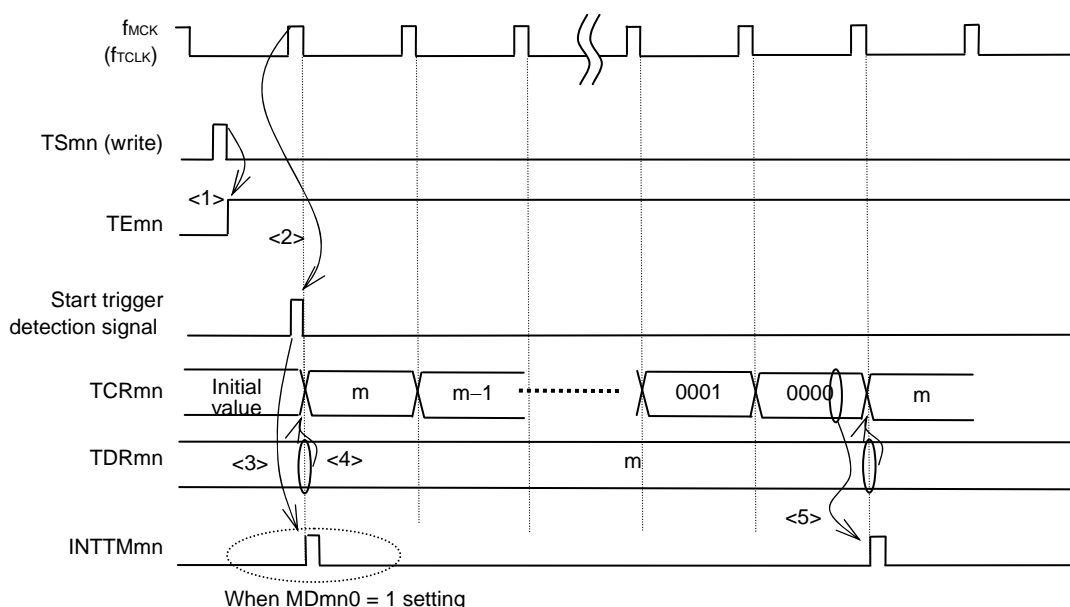
8.5.3 Operation of counter

The counter operation in each mode is explained.

(1) Operation of interval timer mode

- <1> Operation is enabled ($TE_{mn} = 1$) by writing 1 to the TS_{mn} bit. Timer count register mn (TCR_{mn}) holds the initial value until count clock generation.
- <2> A start trigger is generated at the first count clock after operation is enabled.
- <3> When the MD_{mn0} bit is set to 1, $INTT_{mn}$ is generated by the start trigger.
- <4> By the first count clock after the operation enable, the value of timer data register mn (TDR_{mn}) is loaded to the TCR_{mn} register and counting starts in the interval timer mode.
- <5> When the TCR_{mn} register counts down and its count value is 0000H, $INTT_{mn}$ is generated and the value of timer data register mn (TDR_{mn}) is loaded to the TCR_{mn} register and counting keeps on.

Figure 8-29. Operation Timing (In Interval Timer Mode)



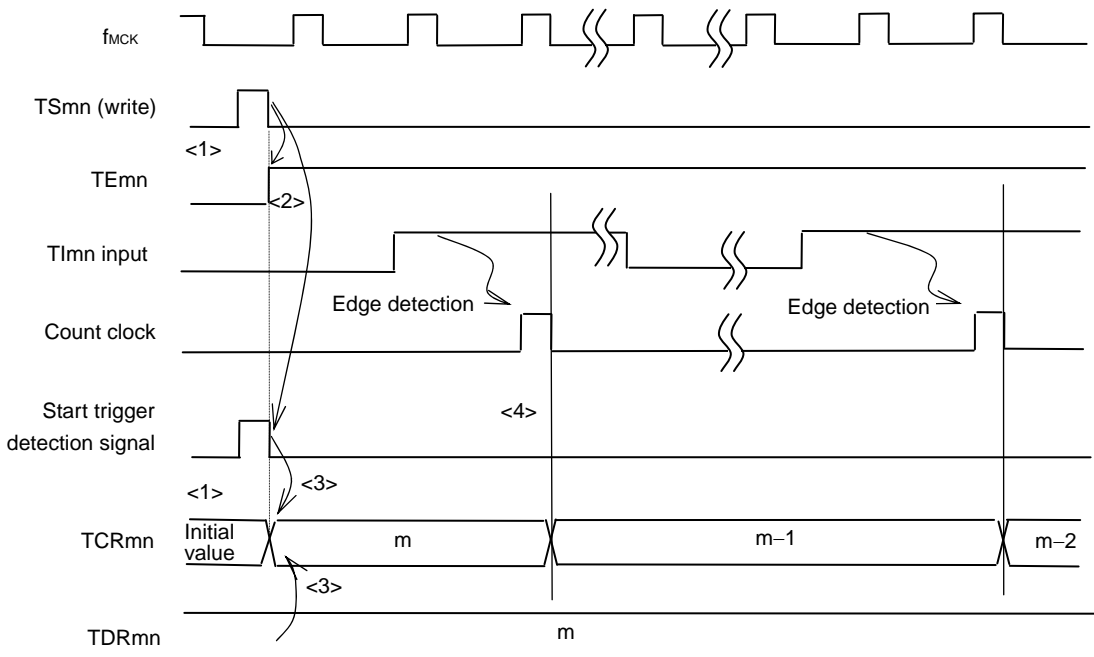
Caution In the first cycle operation of count clock after writing the TS_{mn} bit, an error at a maximum of one clock is generated since count start delays until count clock has been generated. When the information on count start timing is necessary, an interrupt can be generated at count start by setting $MD_{mn0} = 1$.

Remark f_{MCK} , the start trigger detection signal, and $INTT_{mn}$ become active between one clock in synchronization with f_{CLK} .

(2) Operation of event counter mode

- <1> Timer count register mn (TCRmn) holds its initial value while operation is stopped (TEmn = 0).
- <2> Operation is enabled (TEmn = 1) by writing 1 to the TSmn bit.
- <3> As soon as 1 has been written to the TSmn bit and 1 has been set to the TEmn bit, the value of timer data register mn (TDRmn) is loaded to the TCRmn register to start counting.
- <4> After that, the TCRmn register value is counted down according to the count clock of the valid edge of the TImn input .

Figure 8-30. Operation Timing (In Event Counter Mode)

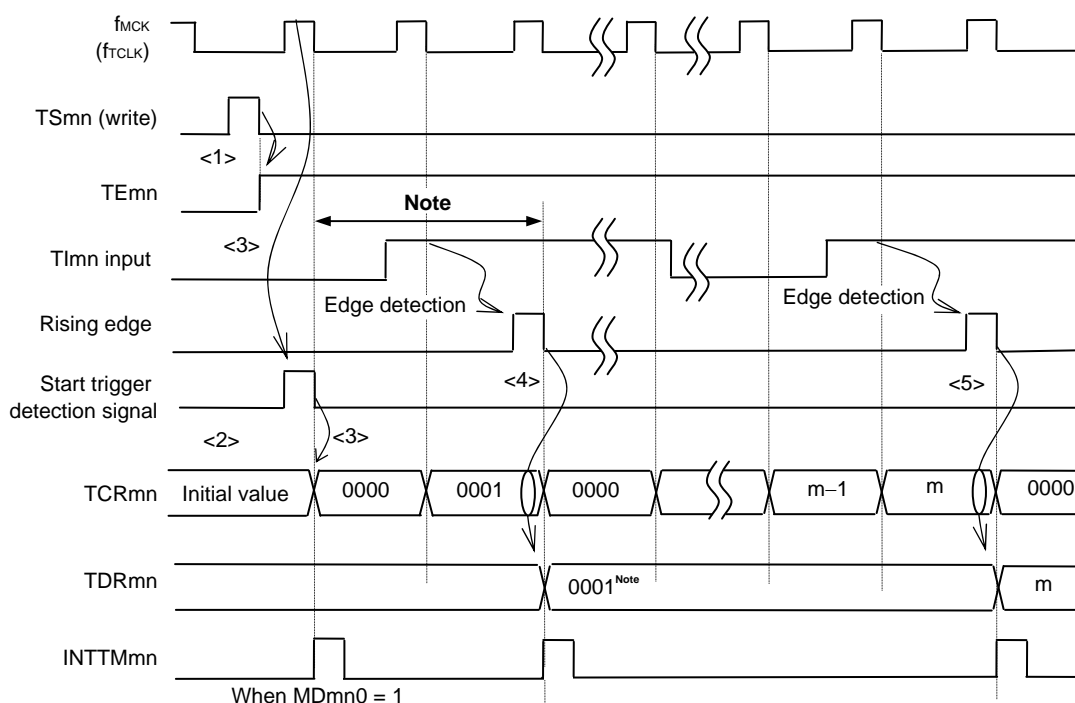


Remark The timing is shown in above figure indicates while the noise filter is not used. By making the noise filter on-state, the edge detection becomes 2 f_{MCK} cycles (it sums up to 3 to 4 cycles) later than the normal cycle of TImn input. The error per one period occurs be the asynchronous between the period of the TImn input and that of the count clock (f_{MCK}).

(3) Operation of capture mode (input pulse interval measurement)

- <1> Operation is enabled ($TE_{mn} = 1$) by writing 1 to the TS_{mn} bit.
- <2> Timer count register mn (TCR_{mn}) holds the initial value until count clock generation.
- <3> A start trigger is generated at the first count clock after operation is enabled. And the value of 0000H is loaded to the TCR_{mn} register and counting starts in the capture mode. (When the MD_{mn0} bit is set to 1, $INTTM_{mn}$ is generated by the start trigger.)
- <4> On detection of the valid edge of the TI_{mn} input, the value of the TCR_{mn} register is captured to timer data register mn (TDR_{mn}) and $INTTM_{mn}$ is generated. However, this capture value is nomenaing. The TCR_{mn} register keeps on counting from 0000H.
- <5> On next detection of the valid edge of the TI_{mn} input, the value of the TCR_{mn} register is captured to timer data register mn (TDR_{mn}) and $INTTM_{mn}$ is generated.

Figure 8-31. Operation Timing (In Capture Mode: Input Pulse Interval Measurement)



Note If a clock has been input to TI_{mn} (the trigger exists) when capturing starts, counting starts when a trigger is detected, even if no edge is detected. Therefore, the first captured value (<4>) does not determine a pulse interval (in the above figure, 0001 just indicates two clock cycles but does not determine the pulse interval) and so the user can ignore it.

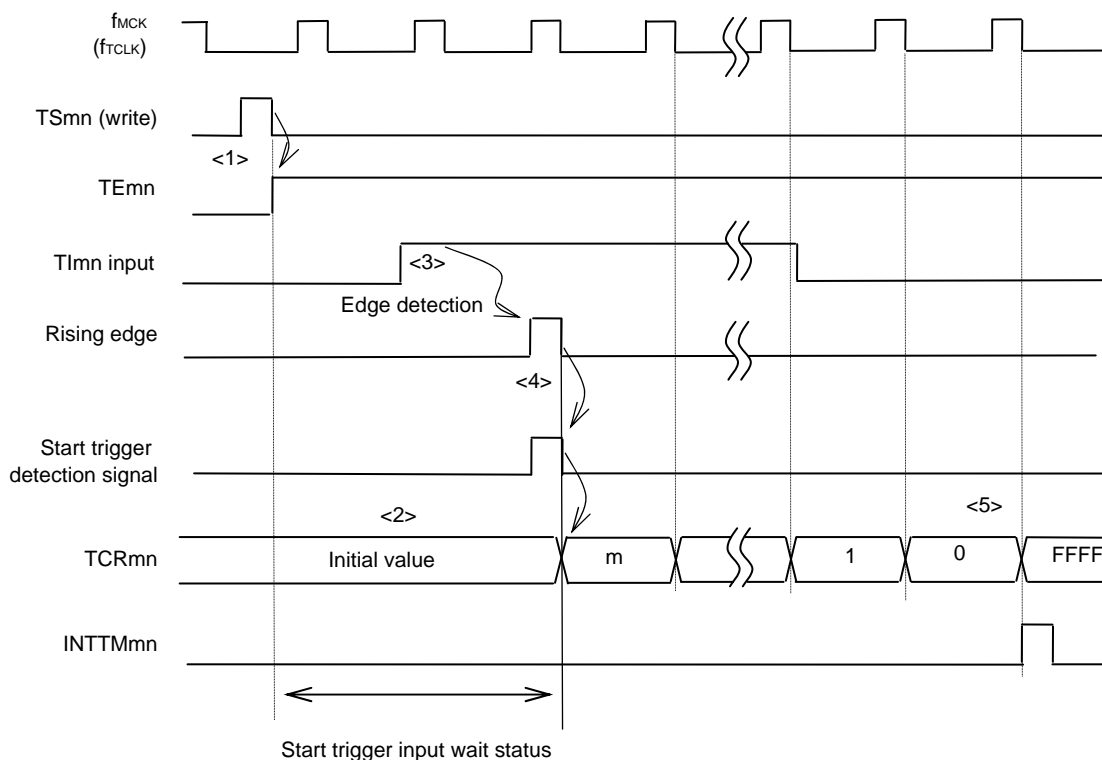
Caution In the first cycle operation of count clock after writing the TS_{mn} bit, an error at a maximum of one clock is generated since count start delays until count clock has been generated. When the information on count start timing is necessary, an interrupt can be generated at count start by setting $MD_{mn0} = 1$.

Remark The timing is shown in above figure indicates while the noise filter is not used. By making the noise filter on-state, the edge detection becomes 2 f_{MCK} cycles (it sums up to 3 to 4 cycles) later than the normal cycle of TI_{mn} input. The error per one cycle occurs because the TI_{mn} input is not synchronous with the count clock (f_{MCK}).

(4) Operation of one-count mode

- <1> Operation is enabled ($TE_{mn} = 1$) by writing 1 to the TS_{mn} bit.
- <2> Timer count register mn (TCR_{mn}) holds the initial value until start trigger generation.
- <3> Rising edge of the TI_{mn} input is detected.
- <4> On start trigger detection, the value of timer data register mn (TDR_{mn}) is loaded to the TCR_{mn} register and count starts.
- <5> When the TCR_{mn} register counts down and its count value is 0000H, $INTTM_{mn}$ is generated and the value of the TCR_{mn} register becomes FFFFH and counting stops

Figure 8-32. Operation Timing (In One-count Mode)

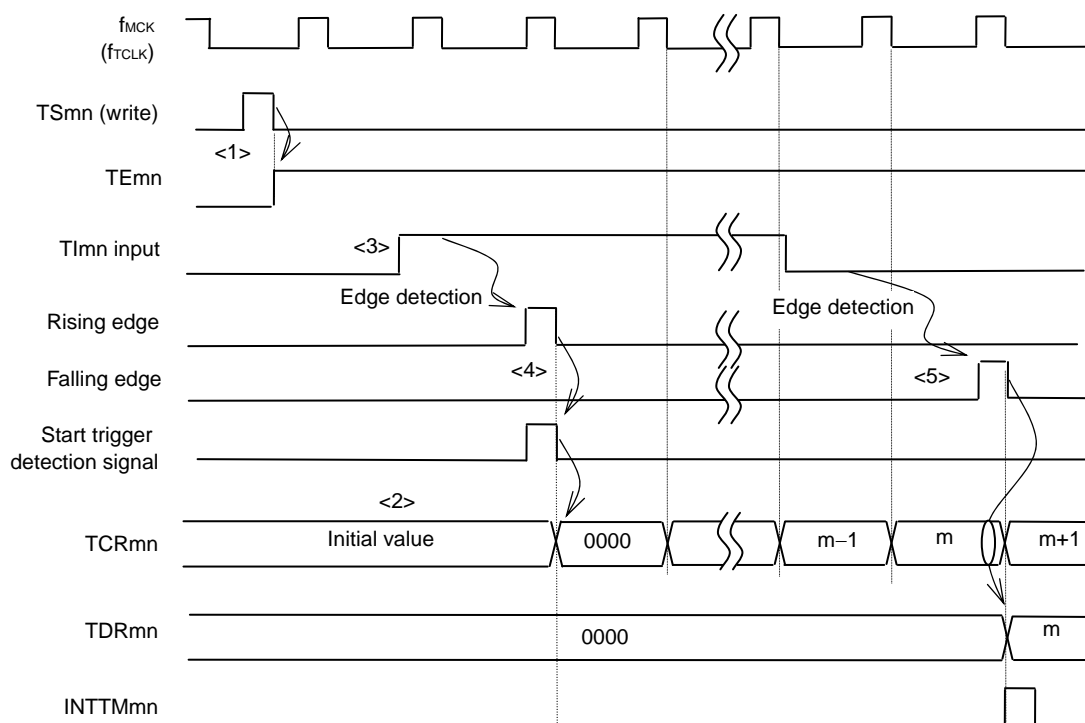


Remark The timing is shown in above figure indicates while the noise filter is not used. By making the noise filter on-state, the edge detection becomes 2 f_{MCK} cycles (it sums up to 3 to 4 cycles) later than the normal cycle of TI_{mn} input. The error per one period occurs be the asynchronous between the period of the TI_{mn} input and that of the count clock (f_{MCK}).

(5) Operation of capture & one-count mode (high-level width measurement)

- <1> Operation is enabled ($TE_{mn} = 1$) by writing 1 to the TS_{mn} bit of timer channel start register m (TS_m).
- <2> Timer count register mn (TCR_{mn}) holds the initial value until start trigger generation.
- <3> Rising edge of the TI_{mn} input is detected.
- <4> On start trigger detection, the value of 0000H is loaded to the TCR_{mn} register and count starts.
- <5> On detection of the falling edge of the TI_{mn} input, the value of the TCR_{mn} register is captured to timer data register mn (TDR_{mn}) and $INTT_{mn}$ is generated.

Figure 8-33. Operation Timing (In Capture & One-count Mode: High-level Width Measurement)

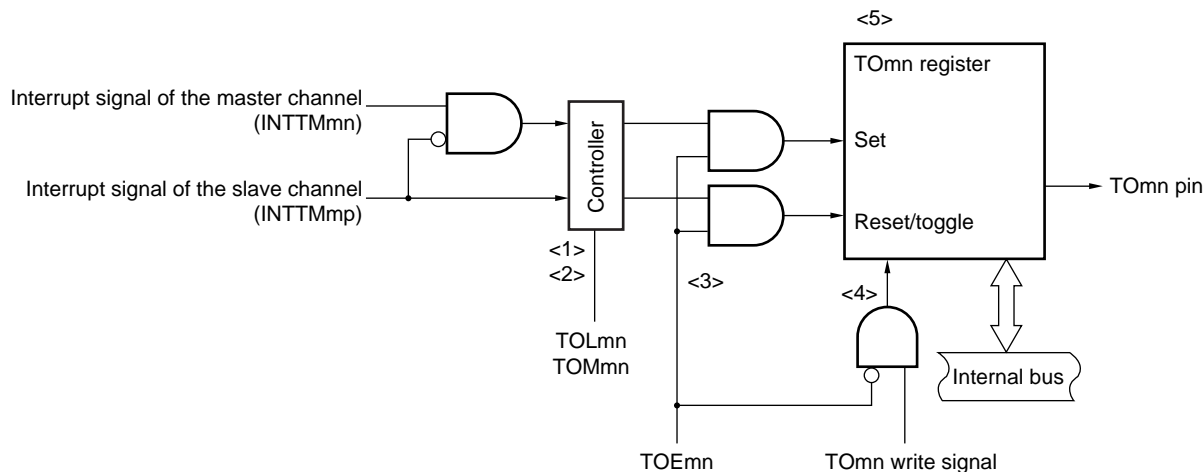


Remark The timing is shown in above figure indicates while the noise filter is not used. By making the noise filter on-state, the edge detection becomes 2 f_{MCK} cycles (it sums up to 3 to 4 cycles) later than the normal cycle of TI_{mn} input. The error per one period occurs be the asynchronous between the period of the TI_{mn} input and that of the count clock (f_{MCK}).

8.6 Channel Output (TOMn Pin) Control

8.6.1 TOMn pin output circuit configuration

Figure 8-34. Output Circuit Configuration



The following describes the TOMn pin output circuit.

- <1> When $TOMmn = 0$ (master channel output mode), the set value of timer output level register m ($TOLm$) is ignored and only $INTTM0p$ (slave channel timer interrupt) is transmitted to timer output register m (TOm).
- <2> When $TOMmn = 1$ (slave channel output mode), both $INTTMmn$ (master channel timer interrupt) and $INTTM0p$ (slave channel timer interrupt) are transmitted to the TOm register.

At this time, the $TOLm$ register becomes valid and the signals are controlled as follows:

- When $TOLmn = 0$: Positive logic output ($INTTMmn \rightarrow \text{set}$, $INTTM0p \rightarrow \text{reset}$)
- When $TOLmn = 1$: Negative logic output ($INTTMmn \rightarrow \text{reset}$, $INTTM0p \rightarrow \text{set}$)

When $INTTMmn$ and $INTTM0p$ are simultaneously generated, (0% output of PWM), $INTTM0p$ (reset signal) takes priority, and $INTTMmn$ (set signal) is masked.

- <3> While timer output is enabled ($TOEmn = 1$), $INTTMmn$ (master channel timer interrupt) and $INTTM0p$ (slave channel timer interrupt) are transmitted to the TOm register. Writing to the TOm register ($TOmn$ write signal) becomes invalid.

When $TOEmn = 1$, the $TOmn$ pin output never changes with signals other than interrupt signals.

To initialize the $TOmn$ pin output level, it is necessary to set timer operation is stoped ($TOEmn = 0$) and to write a value to the TOm register.

- <4> While timer output is disabled ($TOEmn = 0$), writing to the $TOmn$ bit to the target channel ($TOmn$ write signal) becomes valid. When timer output is disabled ($TOEmn = 0$), neither $INTTMmn$ (master channel timer interrupt) nor $INTTM0p$ (slave channel timer interrupt) is transmitted to the TOm register.
- <5> The TOm register can always be read, and the $TOmn$ pin output level can be checked.

Caution Since outputs are N-ch open-drain outputs, an external pull-up resistor is required to use P60, P61, and P62 as channel output.

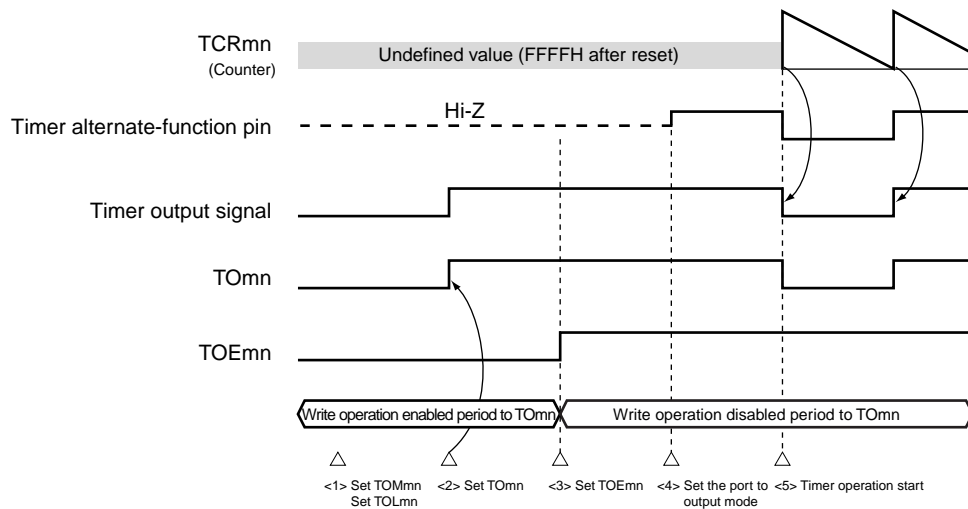
Remark

- m : Unit number ($m = 0$)
- n : Channel number
- $n = 0$ to 7 ($n = 0, 2, 4, 6$ for master channel)
- p : Slave channel number
- $n < p \leq 7$

8.6.2 TOMn pin output setting

The following figure shows the procedure and status transition of the TOMn output pin from initial setting to timer operation start.

Figure 8-35. Status Transition from Timer Output Setting to Operation Start



<1> The operation mode of timer output is set.

- TOMmn bit (0: Master channel output mode, 1: Slave channel output mode)
- TOLmn bit (0: Positive logic output, 1: Negative logic output)

<2> The timer output signal is set to the initial status by setting timer output register m (TOM).

<3> The timer output operation is enabled by writing 1 to the TOEmn bit (writing to the TOM register is disabled).

<4> The port I/O setting is set to output (see **8.3.16 Registers controlling port functions of pins to be used for timer I/O**).

<5> The timer operation is enabled (TSmn = 1).

Remark m: Unit number (m = 0), n: Channel number (n = 0 to 7)

8.6.3 Cautions on channel output operation

(1) Changing values set in the registers TOM, TOEm, and TOLm during timer operation

Since the timer operations (operations of timer count register mn (TCRmn) and timer data register mn (TDRmn)) are independent of the TOMn output circuit and changing the values set in timer output register m (TOM), timer output enable register m (TOEm), and timer output level register m (TOLm) does not affect the timer operation, the values can be changed during timer operation. To output an expected waveform from the TOMn pin by timer operation, however, set the TOM, TOEm, TOLm, and TOMm registers to the values stated in the register setting example of each operation shown by 8.8 and 8.9.

When the values set to the TOEm, and TOMm registers (but not the TOM register) are changed close to the occurrence of the timer interrupt (INTTMmn) of each channel, the waveform output to the TOMn pin might differ, depending on whether the values are changed immediately before or immediately after the timer interrupt (INTTMmn) occurs.

Remark m: Unit number (m = 0), n: Channel number (n = 0 to 7)

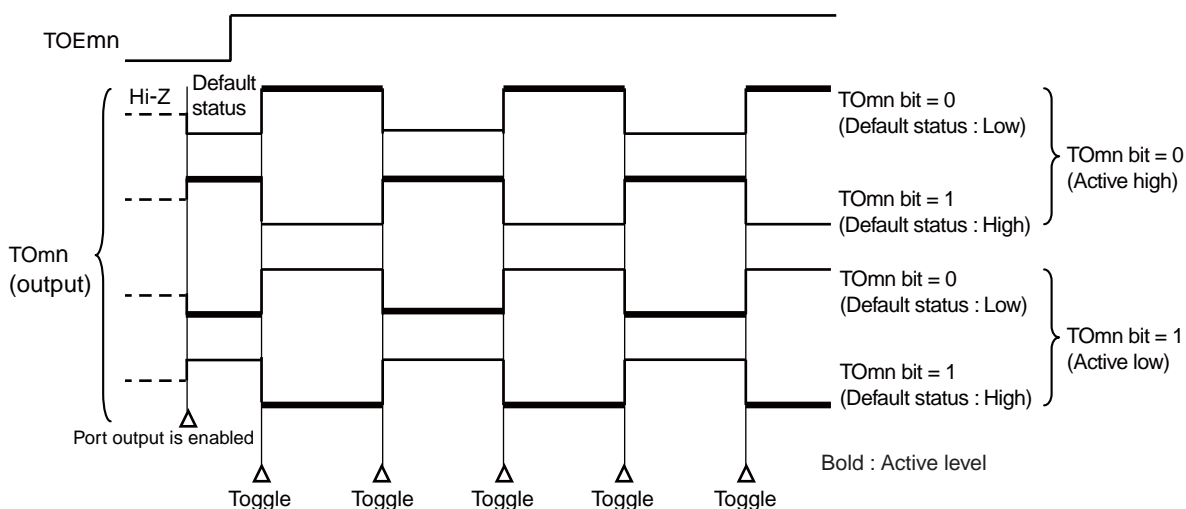
(2) Default level of TOmn pin and output level after timer operation start

The change in the output level of the TOmn pin when timer output register m (TOm) is written while timer output is disabled (TOEmn = 0), the initial level is changed, and then timer output is enabled (TOEmn = 1) before port output is enabled, is shown below.

(a) When operation starts with master channel output mode (TOMmn = 0) setting

The setting of timer output level register m (TOLm) is invalid when master channel output mode (TOMmn = 0). When the timer operation starts after setting the default level, the toggle signal is generated and the output level of the TOmn pin is reversed.

Figure 8-36. TOmn Pin Output Status at Toggle Output (TOMmn = 0)

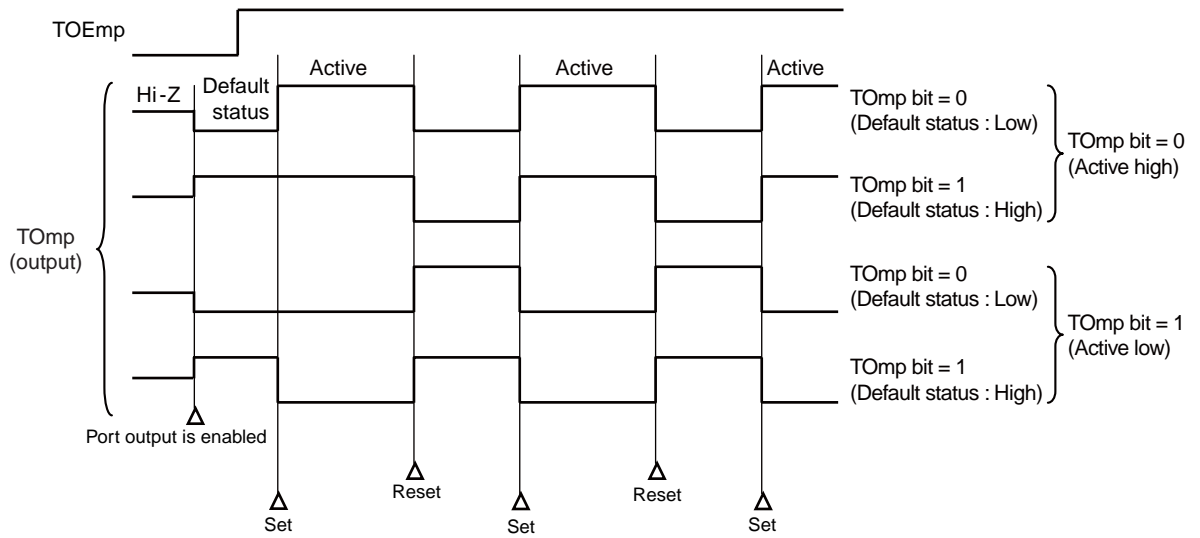


- Remarks 1.** Toggle: Reverse TOmn pin output status
- 2.** m: Unit number (m = 0), n: Channel number (n = 0 to 7)

(b) When operation starts with slave channel output mode (TOMmp = 1) setting (PWM output)

When slave channel output mode (TOMmp = 1), the active level is determined by timer output level register m (TOLm) setting.

Figure 8-37. TOmp Pin Output Status at PWM Output (TOMmp = 1)



Remarks 1. Set: The output signal of the TOmp pin changes from inactive level to active level.

Reset: The output signal of the TOmp pin changes from active level to inactive level.

2. m: Unit number (m = 0), p: Channel number (p = 1 to 7)

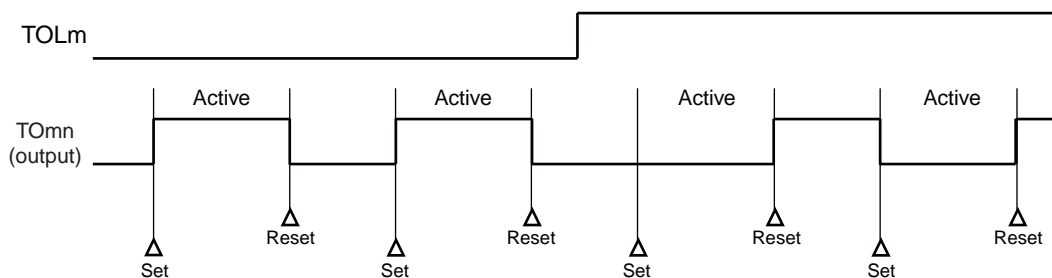
(3) Operation of TOMn pin in slave channel output mode (TOMmn = 1)

(a) When timer output level register m (TOLm) setting has been changed during timer operation

When the TOLm register setting has been changed during timer operation, the setting becomes valid at the generation timing of the TOMn pin change condition. Rewriting the TOLm register does not change the output level of the TOMn pin.

The operation when TOMmn is set to 1 and the value of the TOLm register is changed while the timer is operating (TEMn = 1) is shown below.

Figure 8-38. Operation When TOLm Register Has Been Changed Contents During Timer Operation



- Remarks 1.** Set: The output signal of the TOMn pin changes from inactive level to active level.
 Reset: The output signal of the TOMn pin changes from active level to inactive level.
- 2.** m: Unit number (m = 0), n: Channel number (n = 0 to 7)

(b) Set/reset timing

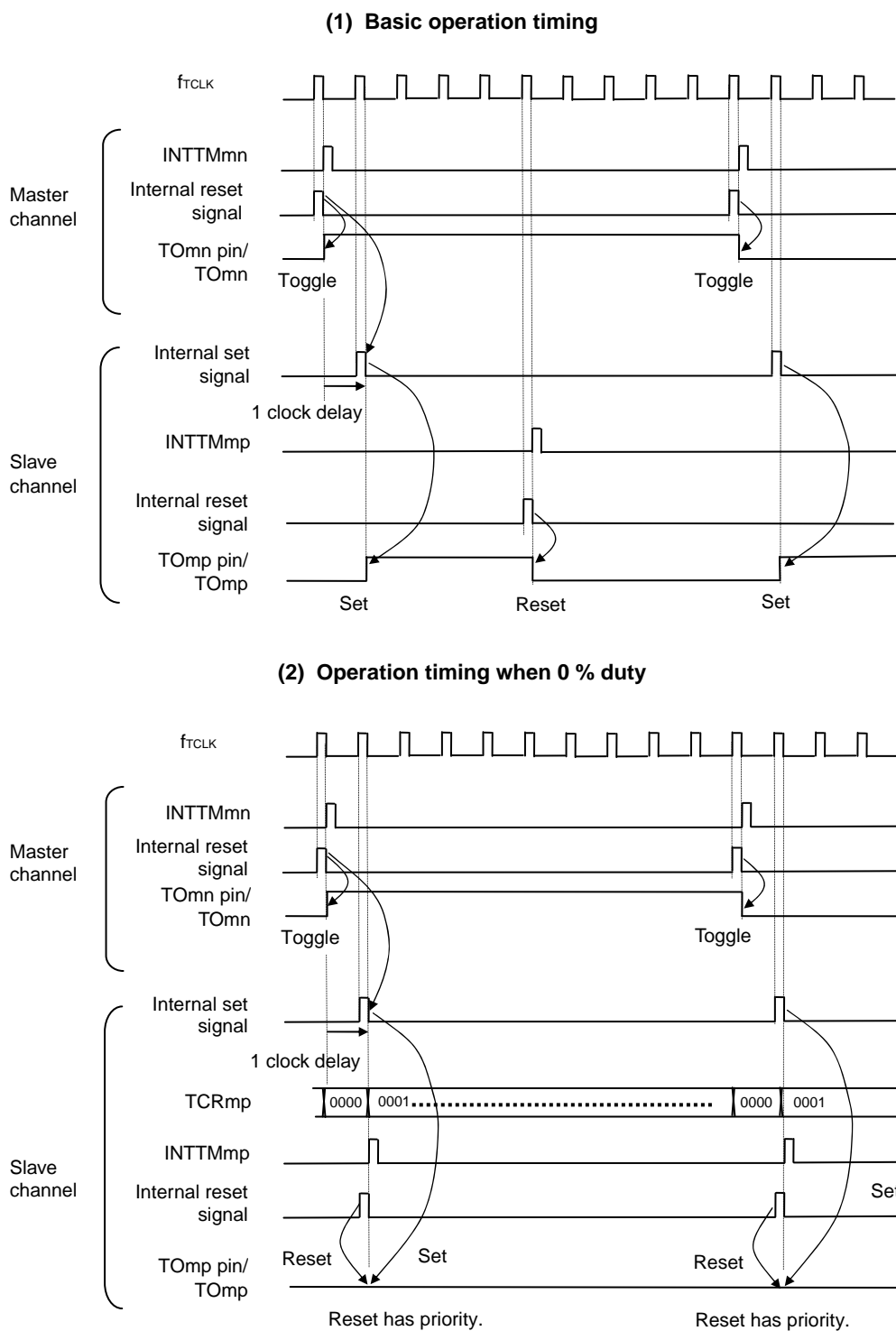
To realize 0%/100% output at PWM output, the TOMn pin/TOMn bit set timing at master channel timer interrupt (INTTMmn) generation is delayed by 1 count clock by the slave channel.

If the set condition and reset condition are generated at the same time, a higher priority is given to the latter.

Figure 8-39 shows the set/reset operating statuses where the master/slave channels are set as follows.

- Master channel: TOEmn = 1, TOMmn = 0, TOLmn = 0
 Slave channel: TOEmp = 1, TOMmp = 1, TOLmp = 0

Figure 8-39. Set/Reset Timing Operating Statuses



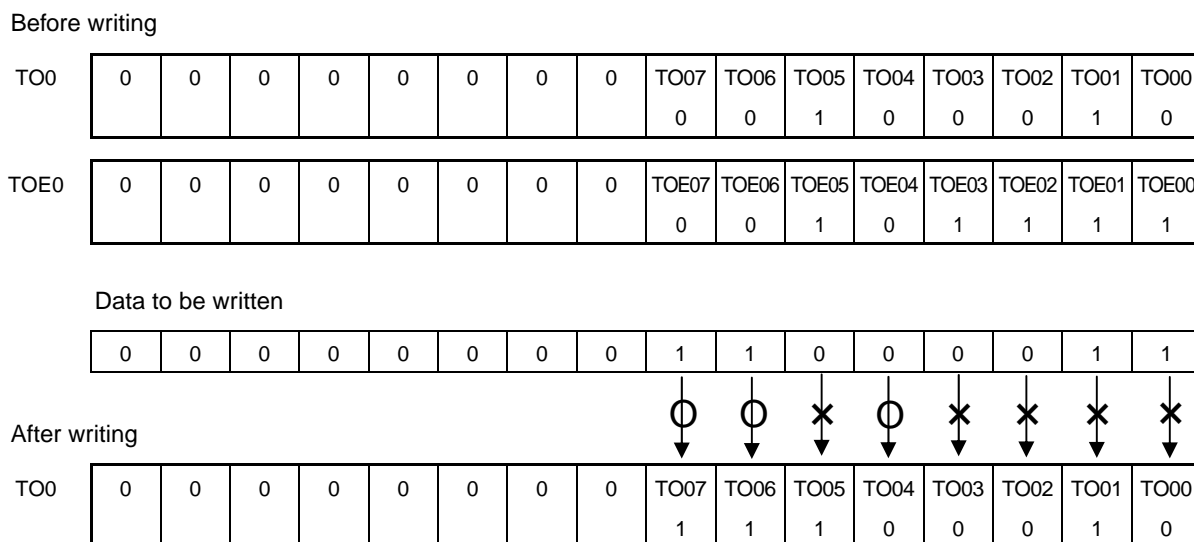
- Remarks 1.** Internal reset signal: TOmn pin reset/toggle signal
 Internal set signal: TOmn pin set signal
- 2.** m: Unit number (m = 0)
 n: Channel number
 n = 0 to 7 (n = 0, 2, 4, 6 for master channel)
 p: Slave channel number
 n < p ≤ 7

8.6.4 Collective manipulation of TO_mn bit

In timer output register m (TO_m), the setting bits for all the channels are located in one register in the same way as timer channel start register m (TS_m). Therefore, the TO_mn bit of all the channels can be manipulated collectively.

Only the desired bits can also be manipulated by enabling writing only to the TO_mn bits (TOE_mn = 0) that correspond to the relevant bits of the channel used to perform output (TO_mn).

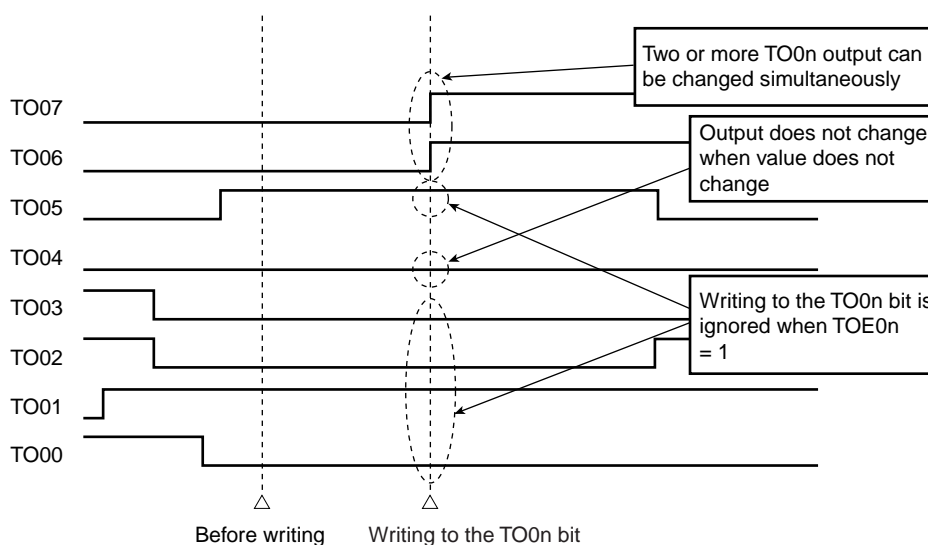
Figure 8-40 Example of TO₀n Bit Collective Manipulation



Writing is done only to the TO_mn bit with TOE_mn = 0, and writing to the TO_mn bit with TOE_mn = 1 is ignored.

TO_mn (channel output) to which TOE_mn = 1 is set is not affected by the write operation. Even if the write operation is done to the TO_mn bit, it is ignored and the output change by timer operation is normally done.

Figure 8-41. TO₀n Pin Statuses by Collective Manipulation of TO₀n Bit



<R>

Remark m: Unit number (m = 0), n: Channel number (n = 0 to 7)

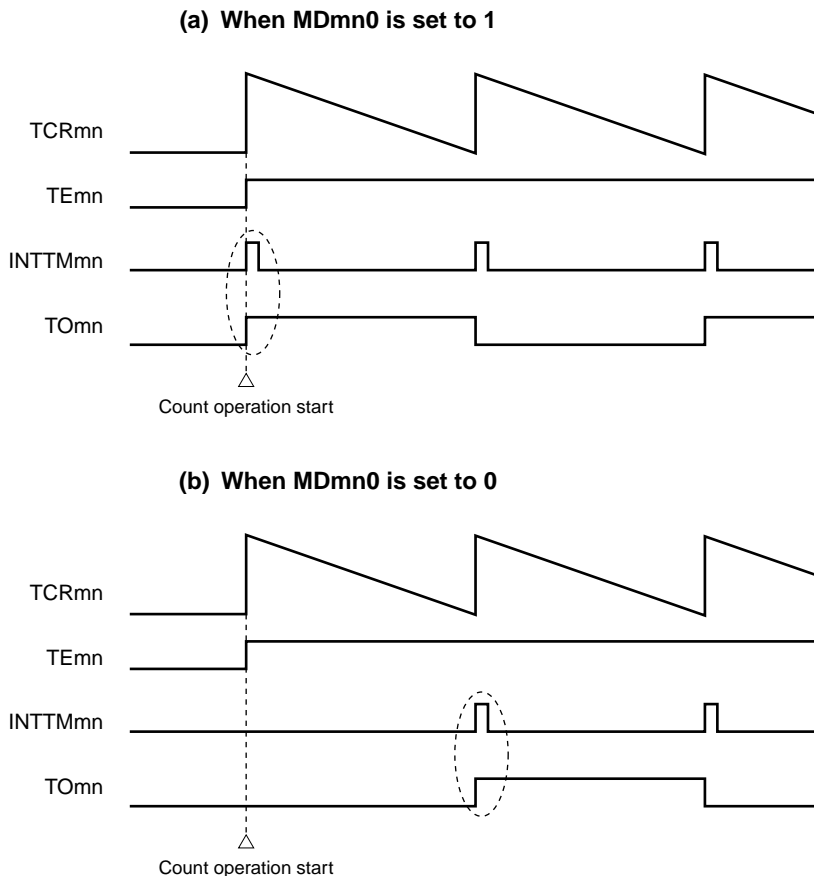
8.6.5 Timer Interrupt and TOMn pin output at operation start

In the interval timer mode or capture mode, the MDmn0 bit in timer mode register mn (TMRmn) sets whether or not to generate a timer interrupt at count start.

When MDmn0 is set to 1, the count operation start timing can be known by the timer interrupt (INTTMmn) generation. In the other modes, neither timer interrupt at count operation start nor TOMn output is controlled.

Figure 8-42 shows operation examples when the interval timer mode (TOEmn = 1, TOMmn = 0) is set.

Figure 8-42. Operation Examples of Timer Interrupt at Count Operation Start and TOMn Output



When MDmn0 is set to 1, a timer interrupt (INTTMmn) is output at count operation start, and TOMn performs a toggle operation.

When MDmn0 is set to 0, a timer interrupt (INTTMmn) is not output at count operation start, and TOMn does not change either. After counting one cycle, INTTMmn is output and TOMn performs a toggle operation.

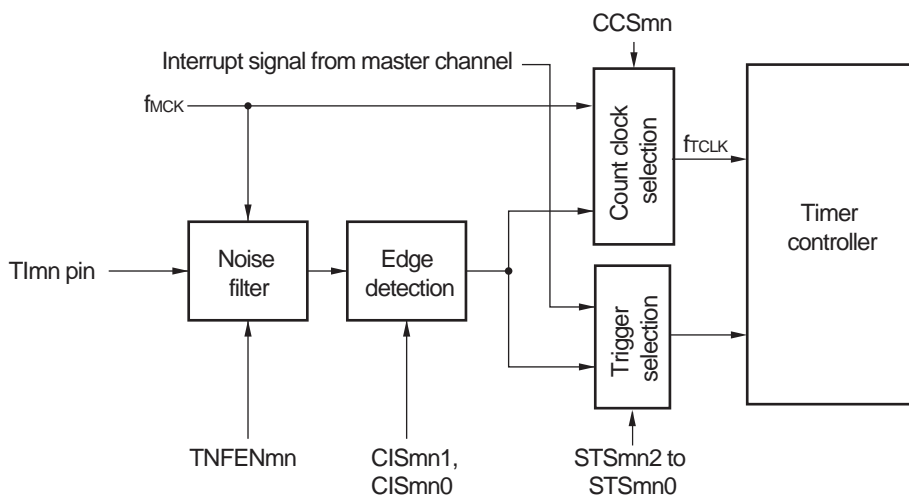
Remark m: Unit number (m = 0), n: Channel number (n = 0 to 7)

8.7 Timer Input (Tl_{mn}) Control

8.7.1 Tl_{mn} input circuit configuration

A signal is input from a timer input pin, goes through a noise filter and an edge detector, and is sent to a timer controller. Enable the noise filter for the pin in need of noise removal. The following shows the configuration of the input circuit.

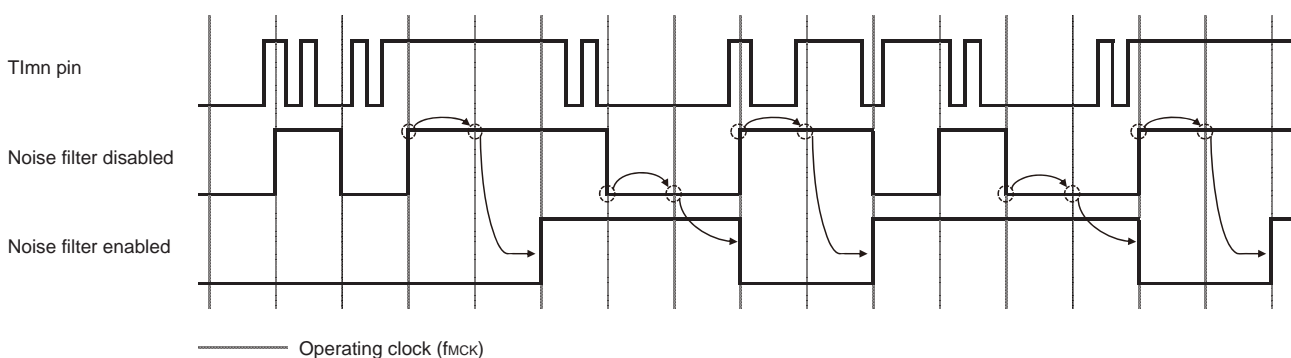
Figure 8-43. Input Circuit Configuration



8.7.2 Noise filter

When the noise filter is disabled, the input signal is only synchronized with the operating clock (f_{MCK}) for channel n . When the noise filter is enabled, after synchronization with the operating clock (f_{MCK}) for channel n , whether the signal keeps the same value for two clock cycles is detected. The following shows differences in waveforms output from the noise filter between when the noise filter is enabled and disabled.

Figure 8-44. Sampling Waveforms through Tl_{mn} Input Pin with Noise Filter Enabled and Disabled



Caution The Tl_{mn} pin input waveform is shown to explain the noise filter ON/OFF operation. For actual operation, refer to the high-level width/low-level width in 41.4 AC Characteristics.

8.7.3 Cautions on channel input operation

When a timer input pin is set as unused, the operating clock is not supplied to the noise filter. Therefore, after settings are made to use the timer input pin, the following wait time is necessary before a trigger is specified to enable operation of the channel corresponding to the timer input pin.

(1) Noise filter is disabled

When bits 12 (CCSmn), 9 (STSmn1), and 8 (STSmn0) in the timer mode register mn (TMRmn) are 0 and then one of them is set to 1, wait for at least two cycles of the operating clock (f_{MCK}), and then set the operation enable trigger bit in the timer channel start register (TSM).

(2) Noise filter is enabled

When bits 12 (CCSmn), 9 (STSmn1), and 8 (STSmn0) in the timer mode register mn (TMRmn) are all 0 and then one of them is set to 1, wait for at least four cycles of the operating clock (f_{MCK}), and then set the operation enable trigger bit in the timer channel start register (TSM).

8.8 Independent Channel Operation Function of Timer Array Unit

8.8.1 Operation as interval timer/square wave output

(1) Interval timer

The timer array unit can be used as a reference timer that generates INTTMmn (timer interrupt) at fixed intervals. The interrupt generation period can be calculated by the following expression.

$$\text{Generation period of INTTMmn (timer interrupt)} = \text{Period of count clock} \times (\text{Set value of TDRmn} + 1)$$

(2) Operation as square wave output

TOMn performs a toggle operation as soon as INTTMmn has been generated, and outputs a square wave with a duty factor of 50%.

The period and frequency for outputting a square wave from TOMn can be calculated by the following expressions.

- $\text{Period of square wave output from TOMn} = \text{Period of count clock} \times (\text{Set value of TDRmn} + 1) \times 2$

- $\text{Frequency of square wave output from TOMn} = \text{Frequency of count clock} / \{(\text{Set value of TDRmn} + 1) \times 2\}$

Timer count register mn (TCRmn) operates as a down counter in the interval timer mode.

The TCRmn register loads the value of timer data register mn (TDRmn) at the first count clock after the channel start trigger bit (TSmn, TSHm1, TSHm3) of timer channel start register m (TSm) is set to 1. If the MDmn0 bit of timer mode register mn (TMRmn) is 0 at this time, INTTMmn is not output and TOMn is not toggled. If the MDmn0 bit of the TMRmn register is 1, INTTMmn is output and TOMn is toggled.

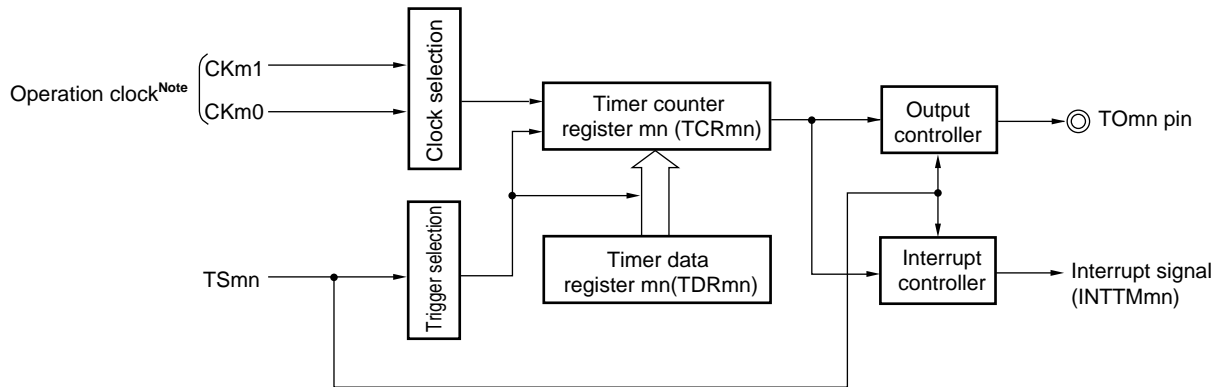
After that, the TCRmn register count down in synchronization with the count clock.

When TCRmn = 0000H, INTTMmn is output and TOMn is toggled at the next count clock. At the same time, the TCRmn register loads the value of the TDRmn register again. After that, the same operation is repeated.

The TDRmn register can be rewritten at any time. The new value of the TDRmn register becomes valid from the next period.

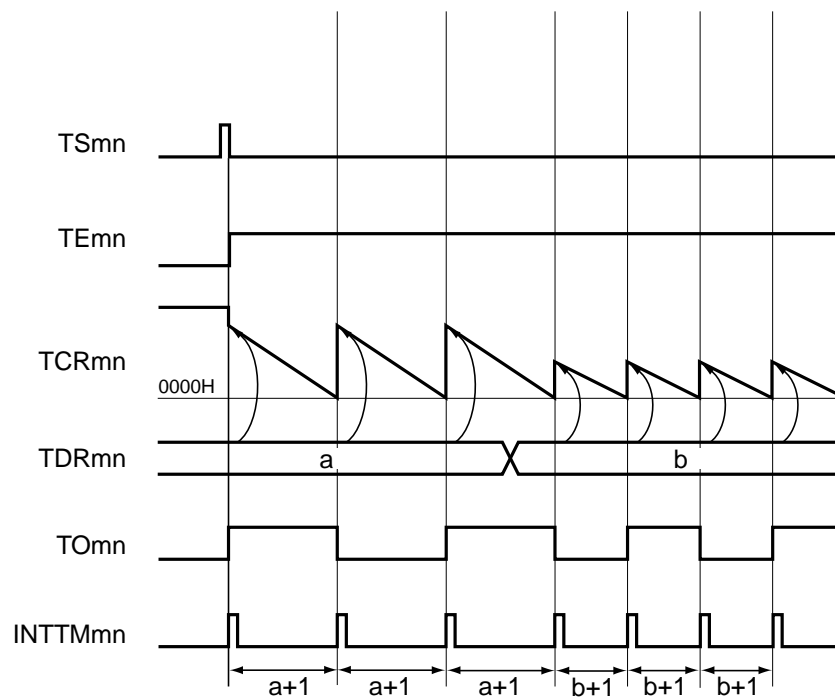
Remark m: Unit number (m = 0), n: Channel number (n = 0 to 7)

Figure 8-45. Block Diagram of Operation as Interval Timer/Square Wave Output



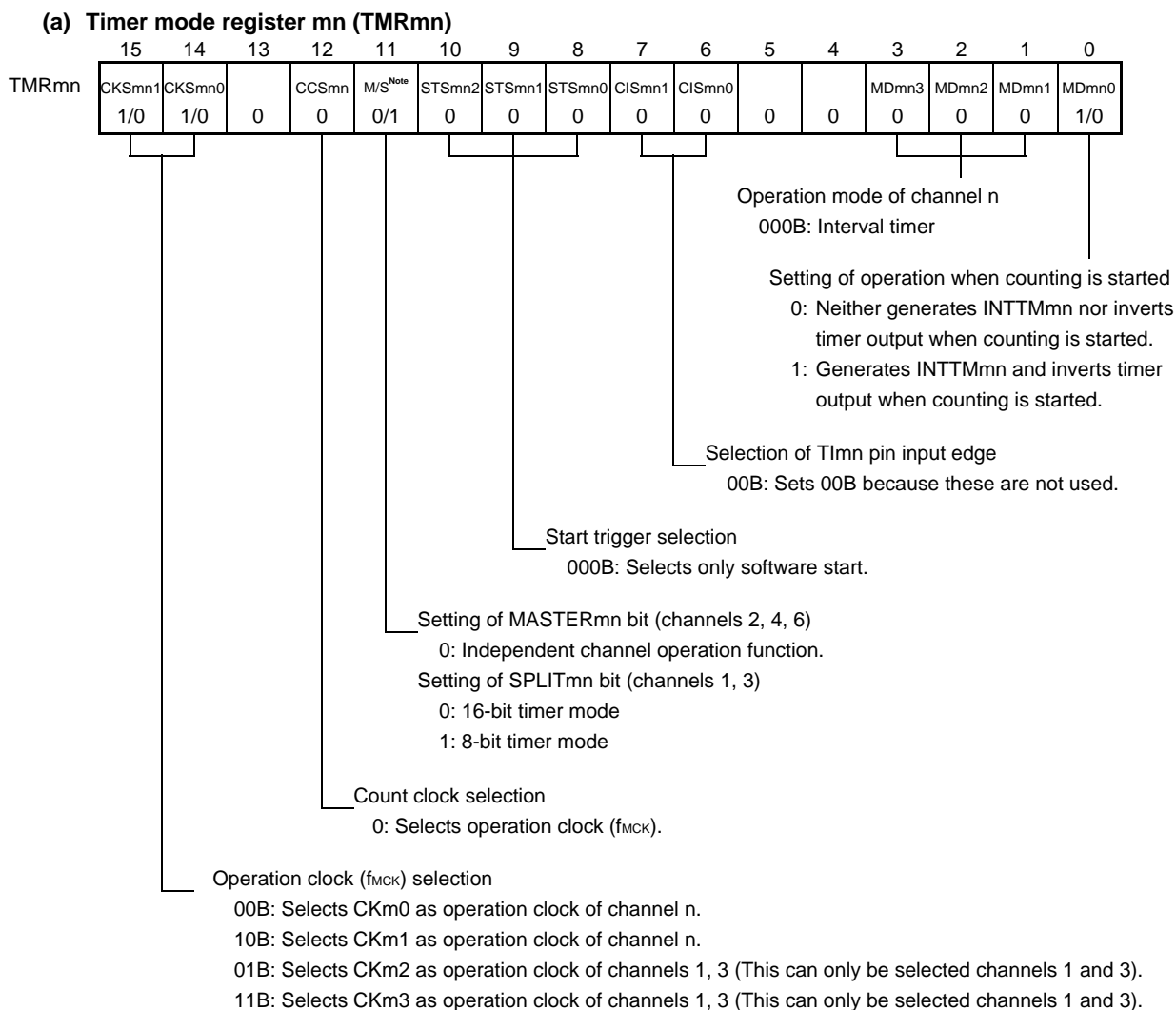
Note When channels 1 and 3, the clock can be selected from CKm0, CKm1, CKm2 and CKm3.

Figure 8-46. Example of Basic Timing of Operation as Interval Timer/Square Wave Output (MDmn0 = 1)

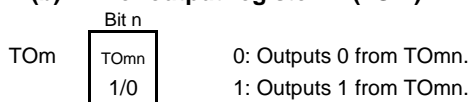


- Remarks**
1. m: Unit number (m = 0), n: Channel number (n = 0 to 7)
 2. TSmn: Bit n of timer channel start register m (TSm)
 - TEmn: Bit n of timer channel enable status register m (TEm)
 - TCRmn: Timer count register mn (TCRmn)
 - TDRmn: Timer data register mn (TDRmn)
 - TOn: TOn pin output signal

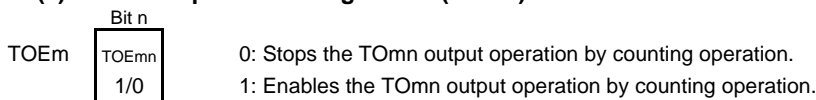
Figure 8-47. Example of Set Contents of Registers During Operation as Interval Timer/Square Wave Output (1/2)



(b) Timer output register m (TOM)



(c) Timer output enable register m (TOEm)



Note TMRm2, TMRm4, TMRm6: MASTERmn bit
 TMRm1, TMRm3: SPLITmn bit
 TMRm0, TMRm5, TMRm7: Fixed to 0

Remark m: Unit number (m = 0), n: Channel number (n = 0 to 7)

Figure 8-47. Example of Set Contents of Registers During Operation as Interval Timer/Square Wave Output (2/2)**(d) Timer output level register m (TOLm)**

TOLm

Bit n
TOLmn
0

 0: Cleared to 0 when TOMmn = 0 (master channel output mode)

(e) Timer output mode register m (TOMm)

TOMm

Bit n
TOMmn
0

 0: Sets master channel output mode.

Remark m: Unit number (m = 0), n: Channel number (n = 0 to 7)

Figure 8-48. Operation Procedure of Interval Timer/Square Wave Output Function (1/2)

	Software Operation	Hardware Status
TAU default setting		Power-off status (Clock supply is stopped and writing to each register is disabled.)
	Sets the TAUmEN bit of peripheral enable register 0 (PER0) to 1.	Power-on status. Each channel stops operating. (Clock supply is started and writing to each register is enabled.)
	Sets timer clock select register m (TPSm). Determines clock frequencies of CKm0 to CKm3.	
Channel default setting	Sets timer mode register mn (TMRmn) (determines operation mode of channel). Sets interval (period) value to timer data register mn (TDRmn).	Channel stops operating. (Clock is supplied and some power is consumed.)
	To use the TOMn output Clears the TOMmn bit of timer output mode register m (TOMm) to 0 (master channel output mode). Clears the TOLmn bit to 0. Sets the TOMn bit and determines default level of the TOMn output.	The TOMn pin goes into Hi-Z output state. The TOMn default setting level is output when the port mode register is in the output mode and the port register is 0.
	Sets the TOEmn bit to 1 and enables operation of TOMn. Clears the port register and port mode register to 0.	TOMn does not change because channel stops operating. The TOMn pin outputs the TOMn set level.
Operation start	(Sets the TOEmn bit to 1 only if using TOMn output and resuming operation.) Sets the TSmn (TSHm1, TSHm3) bit to 1. The TSmn (TSHm1, TSHm3) bit automatically returns to 0 because it is a trigger bit.	TEmn (TEHm1, TEHm3) = 1, and count operation starts. Value of the TDRmn register is loaded to timer count register mn (TCRmn). INTTMmn is generated and TOMn performs toggle operation if the MDmn0 bit of the TMRmn register is 1.
During operation	Set value of the TDRmn register can be changed. The TCRmn register can always be read. The TSRmn register is not used. Set values of the TOM and TOEm registers can be changed. Set values of the TMRmn register, TOMmn, and TOLmn bits cannot be changed.	Counter (TCRmn) counts down. When count value reaches 0000H, the value of the TDRmn register is loaded to the TCRmn register again and the count operation is continued. By detecting TCRmn = 0000H, INTTMmn is generated and TOMn performs toggle operation. After that, the above operation is repeated.
Operation stop	The TTmn (TTHm1, TTHm3) bit is set to 1. The TTmn (TTHm1, TTHm3) bit automatically returns to 0 because it is a trigger bit.	TEmn (TEHm1, TEHm3), and count operation stops. The TCRmn register holds count value and stops. The TOMn output is not initialized but holds current status.
	The TOEmn bit is cleared to 0 and value is set to the TOMn bit.	The TOMn pin outputs the TOMn bit set level.

Operation is resumed.

(Remark is listed on the next page.)

Figure 8-48. Operation Procedure of Interval Timer/Square Wave Output Function (2/2)

	Software Operation	Hardware Status
TAU stop	<p>To hold the TOMn pin output level Clears the TOMn bit to 0 after the value to be held is set to the port register. —————></p> <p>When holding the TOMn pin output level is not necessary Setting not required.</p> <hr style="border-top: 1px dashed black;"/> <p>The TAUmEN bit of the PER0 register is cleared to 0. —></p>	<p>The TOMn pin output level is held by port function.</p> <hr style="border-top: 1px dashed black;"/> <p>Power-off status All circuits are initialized and SFR of each channel is also initialized. (The TOMn bit is cleared to 0 and the TOMn pin is set to port mode.)</p>

Remark m: Unit number (m = 0), n: Channel number (n = 0 to 7)

8.8.2 Operation as external event counter

The timer array unit can be used as an external event counter that counts the number of times the valid input edge (external event) is detected in the TImn pin. When a specified count value is reached, the event counter generates an interrupt. The specified number of counts can be calculated by the following expression.

$$\text{Specified number of counts} = \text{Set value of TDRmn} + 1$$

Timer count register mn (TCRmn) operates as a down counter in the event counter mode.

The TCRmn register loads the value of timer data register mn (TDRmn) by setting any channel start trigger bit (TSMn, TSHm1, TSHm3) of timer channel start register m (TSM) to 1.

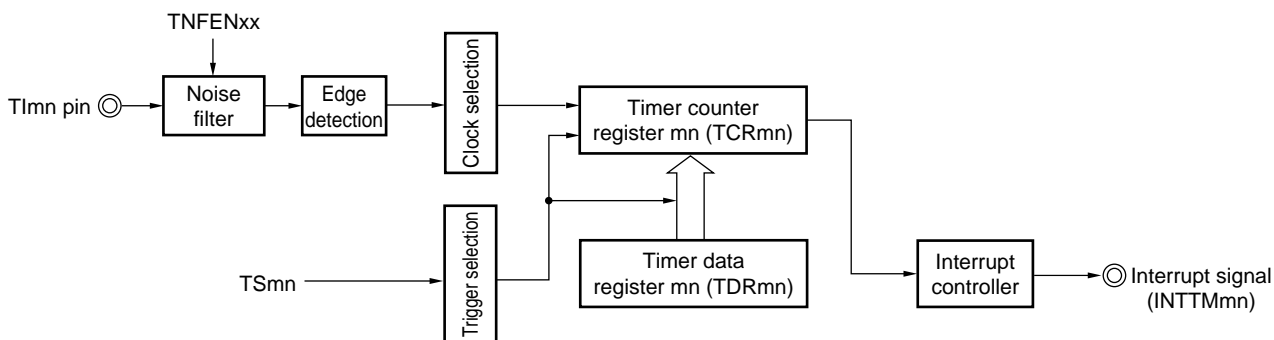
The TCRmn register counts down each time the valid input edge of the TImn pin has been detected. When TCRmn = 0000H, the TCRmn register loads the value of the TDRmn register again, and outputs INTTMmn.

After that, the above operation is repeated.

An irregular waveform that depends on external events is output from the TOmn pin. Stop the output by setting the TOEmn bit of timer output enable register m (TOEm) to 0.

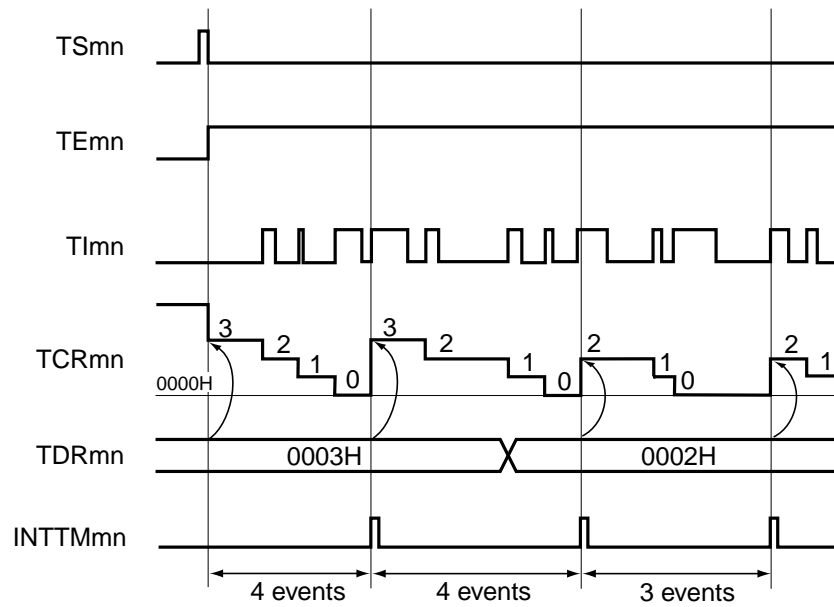
The TDRmn register can be rewritten at any time. The new value of the TDRmn register becomes valid during the next count period.

Figure 8-49. Block Diagram of Operation as External Event Counter



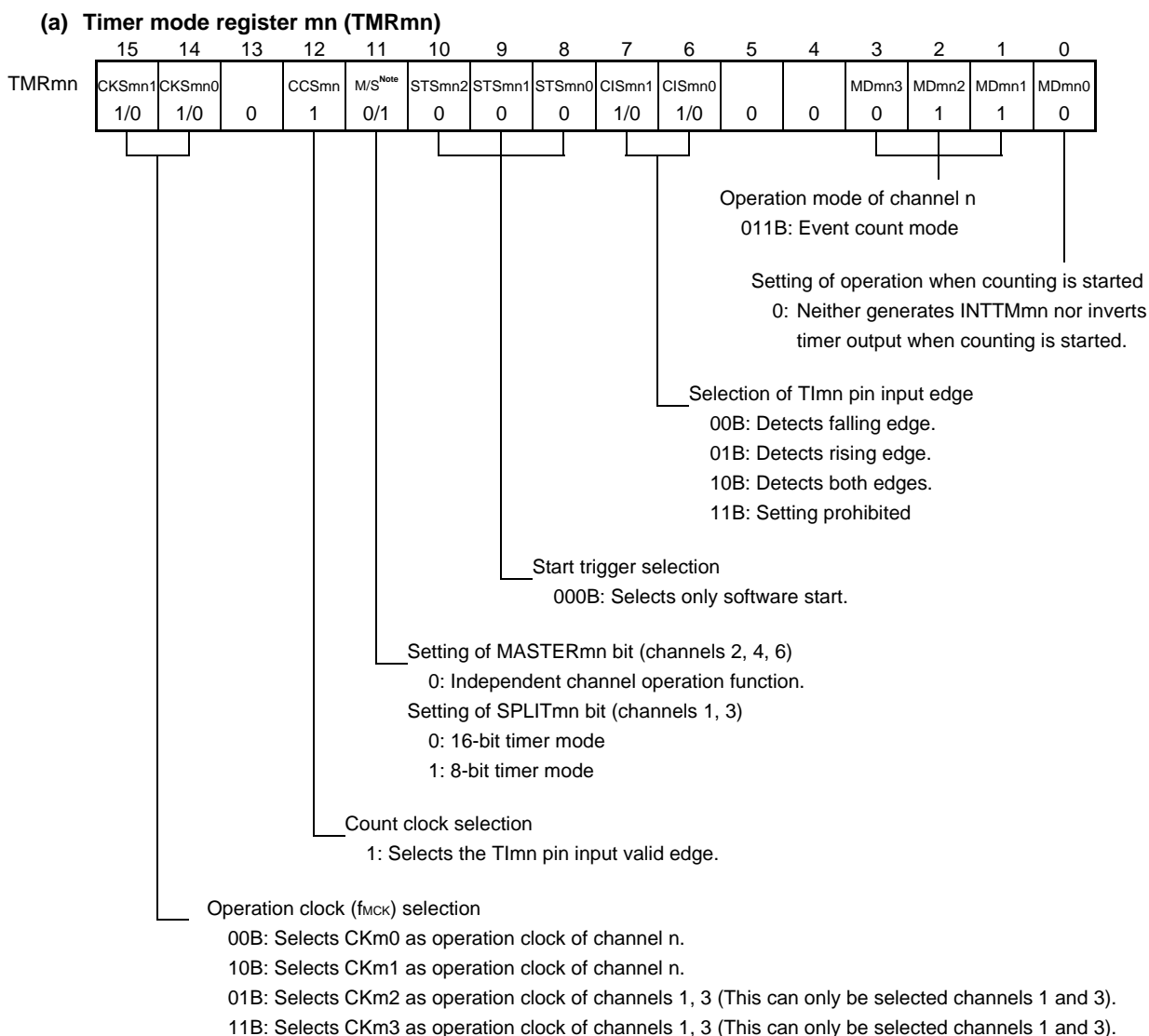
Remark m: Unit number (m = 0), n: Channel number (n = 0 to 7)

Figure 8-50. Example of Basic Timing of Operation as External Event Counter

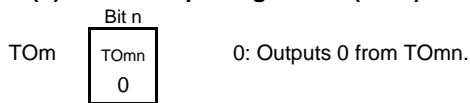


- Remarks**
1. m: Unit number (m = 0), n: Channel number (n = 0 to 7)
 2. TSmn: Bit n of timer channel start register m (TSm)
 - TE_{mn}: Bit n of timer channel enable status register m (TE_m)
 - TI_{mn}: TI_{mn} pin input signal
 - TCR_{mn}: Timer count register mn (TCR_{mn})
 - TDR_{mn}: Timer data register mn (TDR_{mn})

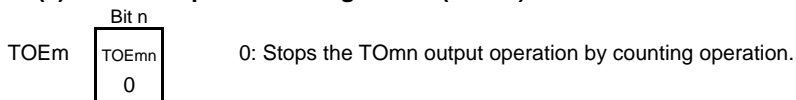
Figure 8-51. Example of Set Contents of Registers in External Event Counter Mode (1/2)



(b) Timer output register m (TOM)



(c) Timer output enable register m (TOEm)



Note TMRm2, TMRm4, TMRm6: MASTERmn bit
 TMRm1, TMRm3: SPLITmn bit
 TMRm0, TMRm5, TMRm7: Fixed to 0

Remark m: Unit number (m = 0), n: Channel number (n = 0 to 7)

Figure 8-51. Example of Set Contents of Registers in External Event Counter Mode (2/2)**(d) Timer output level register m (TOLm)**

TOLm

Bit n
TOLmn
0

 0: Cleared to 0 when TOMmn = 0 (master channel output mode).

(e) Timer output mode register m (TOMm)

TOMm

Bit n
TOMmn
0

 0: Sets master channel output mode.

Remark m: Unit number (m = 0), n: Channel number (n = 0 to 7)

Figure 8-52. Operation Procedure When External Event Counter Function Is Used

	Software Operation	Hardware Status
TAU default setting		Power-off status (Clock supply is stopped and writing to each register is disabled.)
	Sets the TAUmEN bit of peripheral enable register 0 (PER0) to 1.	Power-on status. Each channel stops operating. (Clock supply is started and writing to each register is enabled.)
	Sets timer clock select register m (TPSm). Determines clock frequencies of CKm0 to CKm3.	
Channel default setting	Sets the corresponding bit of the noise filter enable register 1 (NFEN1) to 0 (off) or 1 (on). Sets timer mode register mn (TMRmn) (determines operation mode of channel). Sets number of counts to timer data register mn (TDRmn). Clears the TOEmn bit of timer output enable register m (TOEm) to 0.	Channel stops operating. (Clock is supplied and some power is consumed.)
Operation start	Sets the TSmn bit to 1. The TSmn bit automatically returns to 0 because it is a trigger bit.	TEmn = 1, and count operation starts. Value of the TDRmn register is loaded to timer count register mn (TCRmn) and detection of the TImn pin input edge is awaited.
During operation	Set value of the TDRmn register can be changed. The TCRmn register can always be read. The TSRmn register is not used. Set values of the TMRmn register, TOMmn, TOLmn, TOmn, and TOEmn bits cannot be changed.	Counter (TCRmn) counts down each time input edge of the TImn pin has been detected. When count value reaches 0000H, the value of the TDRmn register is loaded to the TCRmn register again, and the count operation is continued. By detecting TCRmn = 0000H, the INTTMmn output is generated. After that, the above operation is repeated.
Operation stop	The TTmn bit is set to 1. The TTmn bit automatically returns to 0 because it is a trigger bit.	TEmn = 0, and count operation stops. The TCRmn register holds count value and stops.
TAU stop	The TAUmEN bit of the PER0 register is cleared to 0.	Power-off status All circuits are initialized and SFR of each channel is also initialized.

Operation is resumed.

Remark m: Unit number (m = 0), n: Channel number (n = 0 to 7)

8.8.3 Operation as input pulse interval measurement

The count value can be captured at the Tl_{mn} valid edge and the interval of the pulse input to Tl_{mn} can be measured. In addition, the count value can be captured by using software operation (TS_{mn} = 1) as a capture trigger while the TE_{mn} bit is set to 1.

The pulse interval can be calculated by the following expression.

$$\text{Tl}_{mn} \text{ input pulse interval} = \text{Period of count clock} \times ((10000\text{H} \times \text{TSR}_{mn}:\text{OVF}) + (\text{Capture value of TDR}_{mn} + 1))$$

Caution The Tl_{mn} pin input is sampled using the operating clock selected with the CKS_{mn} bit of timer mode register mn (TMR_{mn}), so an error of up to one operating clock cycle occurs.

Timer count register mn (TCR_{mn}) operates as an up counter in the capture mode.

When the channel start trigger bit (TS_{mn}) of timer channel start register m (TS_m) is set to 1, the TCR_{mn} register counts up from 0000H in synchronization with the count clock.

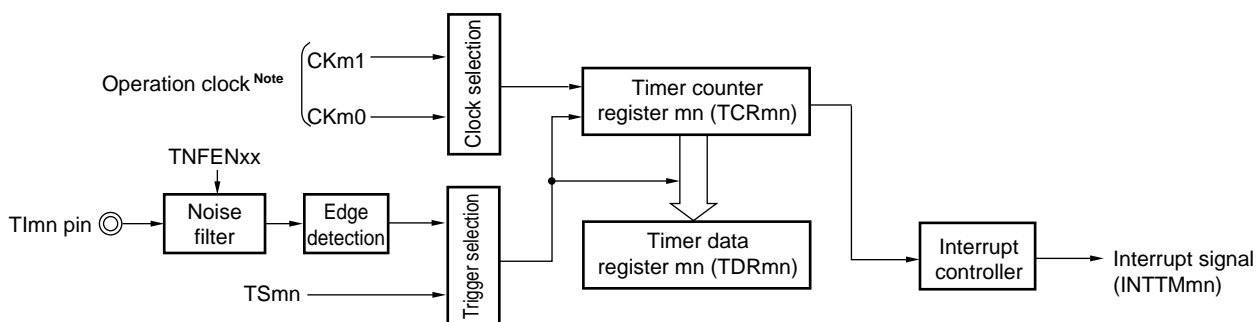
When the Tl_{mn} pin input valid edge is detected, the count value of the TCR_{mn} register is transferred (captured) to timer data register mn (TDR_{mn}) and, at the same time, the TCR_{mn} register is cleared to 0000H, and the INTTM_{mn} is output. If the counter overflows at this time, the OVF bit of timer status register mn (TSR_{mn}) is set to 1. If the counter does not overflow, the OVF bit is cleared. After that, the above operation is repeated.

As soon as the count value has been captured to the TDR_{mn} register, the OVF bit of the TSR_{mn} register is updated depending on whether the counter overflows during the measurement period. Therefore, the overflow status of the captured value can be checked.

If the counter reaches a full count for two or more periods, it is judged to be an overflow occurrence, and the OVF bit of the TSR_{mn} register is set to 1. However, a normal interval value cannot be measured for the OVF bit, if two or more overflows occur.

Set the STS_{mn2} to STS_{mn0} bits of the TMR_{mn} register to 001B to use the valid edges of Tl_{mn} as a start trigger and a capture trigger.

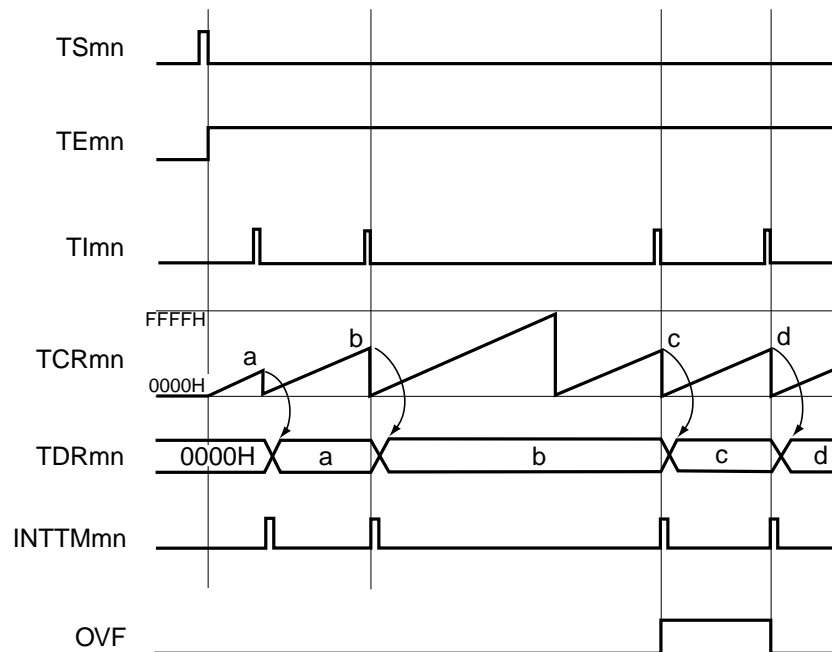
Figure 8-53. Block Diagram of Operation as Input Pulse Interval Measurement



Note When channels 1 and 3, the clock can be selected from CK_{m0}, CK_{m1}, CK_{m2} and CK_{m3}.

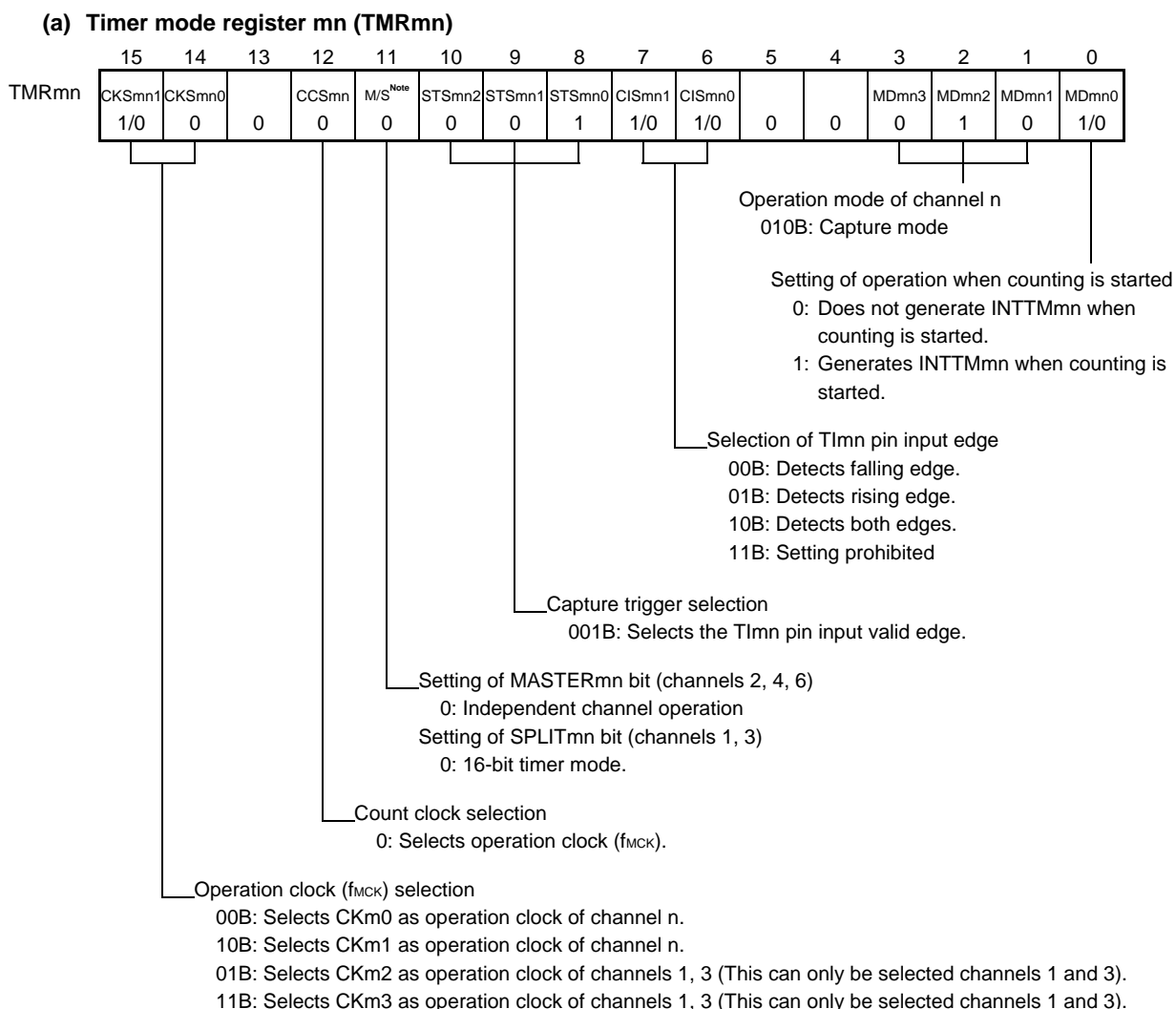
Remark m: Unit number (m = 0), n: Channel number (n = 0 to 7)

Figure 8-54. Example of Basic Timing of Operation as Input Pulse Interval Measurement (MDmn0 = 0)

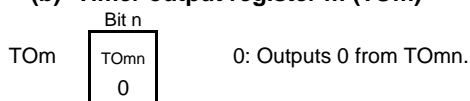


- Remarks**
1. m: Unit number (m = 0), n: Channel number (n = 0 to 7)
 2. TSmn: Bit n of timer channel start register m (TSm)
 TE mn: Bit n of timer channel enable status register m (TEm)
 TImn: TImn pin input signal
 TCRmn: Timer count register mn (TCRmn)
 TDRmn: Timer data register mn (TDRmn)
 OVF: Bit 0 of timer status register mn (TSRmn)

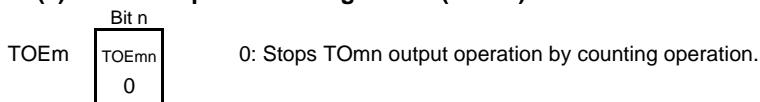
Figure 8-55. Example of Set Contents of Registers to Measure Input Pulse Interval



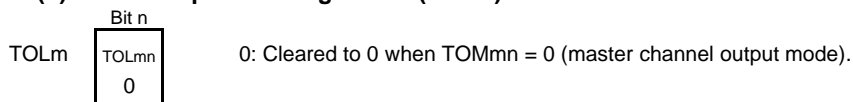
(b) Timer output register m (TOM)



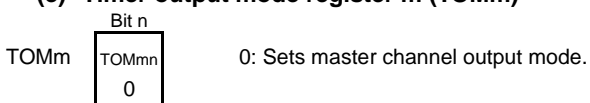
(c) Timer output enable register m (TOEm)



(d) Timer output level register m (TOLm)



(e) Timer output mode register m (TOMm)



Note TMRm2, TMRm4, TMRm6: MASTERmn bit
 TMRm1, TMRm3: SPLITmn bit
 TMRm0, TMRm5, TMRm7: Fixed to 0

Remark m: Unit number (m = 0), n: Channel number (n = 0 to 7)

Figure 8-56. Operation Procedure When Input Pulse Interval Measurement Function Is Used

	Software Operation	Hardware Status
TAU default setting		Power-off status (Clock supply is stopped and writing to each register is disabled.)
	Sets the TAUmEN bit of peripheral enable register 0 (PER0) to 1.	Power-on status. Each channel stops operating. (Clock supply is started and writing to each register is enabled.)
	Sets timer clock select register m (TPSm). Determines clock frequencies of CKm0 to CKm3.	
Channel default setting	Sets the corresponding bit of the noise filter enable register 1 (NFEN1) to 0 (off) or 1 (on). Sets timer mode register mn (TMRmn) (determines operation mode of channel).	Channel stops operating. (Clock is supplied and some power is consumed.)
Operation start	Sets TSmn bit to 1. The TSmn bit automatically returns to 0 because it is a trigger bit.	TEmn = 1, and count operation starts. Timer count register mn (TCRmn) is cleared to 0000H. When the MDmn0 bit of the TMRmn register is 1, INTTMmn is generated.
During operation	Set values of only the CISmn1 and CISmn0 bits of the TMRmn register can be changed. The TDRmn register can always be read. The TCRmn register can always be read. The TSRmn register can always be read. Set values of the TOMmn, TOLmn, TOMn, and TOEmn bits cannot be changed.	Counter (TCRmn) counts up from 0000H. When the TImn pin input valid edge is detected or the TSmn bit is set to 1, the count value is transferred (captured) to timer data register mn (TDRmn). At the same time, the TCRmn register is cleared to 0000H, and the INTTMmn signal is generated. If an overflow occurs at this time, the OVF bit of timer status register mn (TSRmn) is set; if an overflow does not occur, the OVF bit is cleared. After that, the above operation is repeated.
Operation stop	The TTmn bit is set to 1. The TTmn bit automatically returns to 0 because it is a trigger bit.	TEmn = 0, and count operation stops. The TCRmn register holds count value and stops. The OVF bit of the TSRmn register is also held.
TAU stop	The TAUmEN bit of the PER0 register is cleared to 0.	Power-off status All circuits are initialized and SFR of each channel is also initialized.

Operation is resumed.

Remark m: Unit number (m = 0), n: Channel number (n = 0 to 7)

8.8.4 Operation as input signal high-/low-level width measurement

Caution When using a channel to implement the LIN-bus, set bit 1 (ISC1) of the input switch control register (ISC) to 1. In the following descriptions, read TImn as RxD0.

By starting counting at one edge of the TImn pin input and capturing the number of counts at another edge, the signal width (high-level width/low-level width) of TImn can be measured. The signal width of TImn can be calculated by the following expression.

$$\text{Signal width of TImn input} = \text{Period of count clock} \times ((10000\text{H} \times \text{TSRmn: OVF}) + (\text{Capture value of TDRmn} + 1))$$

Caution The TImn pin input is sampled using the operating clock selected with the CKSmn bit of timer mode register mn (TMRmn), so an error equivalent to one operation clock occurs.

Timer count register mn (TCRmn) operates as an up counter in the capture & one-count mode.

When the channel start trigger bit (TSmn) of timer channel start register m (TSM) is set to 1, the TEmn bit is set to 1 and the TImn pin start edge detection wait status is set.

When the TImn pin input start edge (rising edge of the TImn pin input when the high-level width is to be measured) is detected, the counter counts up from 0000H in synchronization with the count clock. When the valid capture edge (falling edge of the TImn pin input when the high-level width is to be measured) is detected later, the count value is transferred to timer data register mn (TDRmn) and, at the same time, INTTMmn is output. If the counter overflows at this time, the OVF bit of timer status register mn (TSRmn) is set to 1. If the counter does not overflow, the OVF bit is cleared. The TCRmn register stops at the value "value transferred to the TDRmn register + 1", and the TImn pin start edge detection wait status is set. After that, the above operation is repeated.

As soon as the count value has been captured to the TDRmn register, the OVF bit of the TSRmn register is updated depending on whether the counter overflows during the measurement period. Therefore, the overflow status of the captured value can be checked.

If the counter reaches a full count for two or more periods, it is judged to be an overflow occurrence, and the OVF bit of the TSRmn register is set to 1. However, a normal interval value cannot be measured for the OVF bit, if two or more overflows occur.

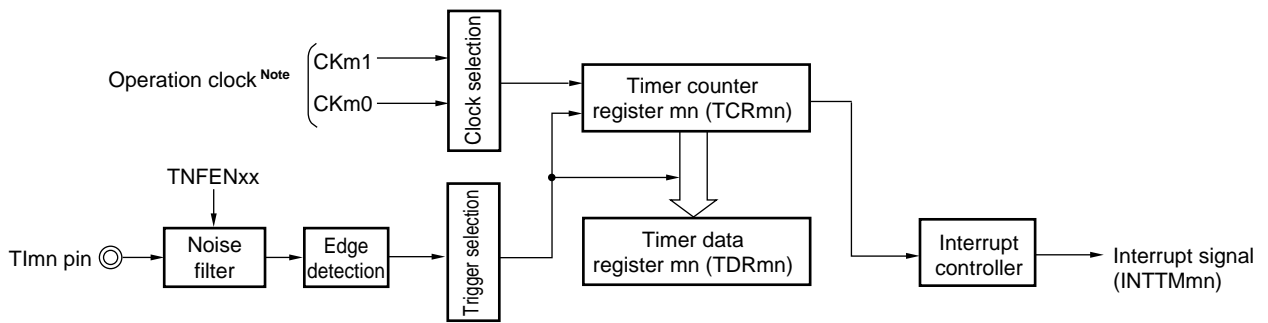
Whether the high-level width or low-level width of the TImn pin is to be measured can be selected by using the CISmn1 and CISmn0 bits of the TMRmn register.

Because this function is used to measure the signal width of the TImn pin input, the TSmn bit cannot be set to 1 while the TEmn bit is 1.

CISmn1, CISmn0 of TMRmn register = 10B: Low-level width is measured.

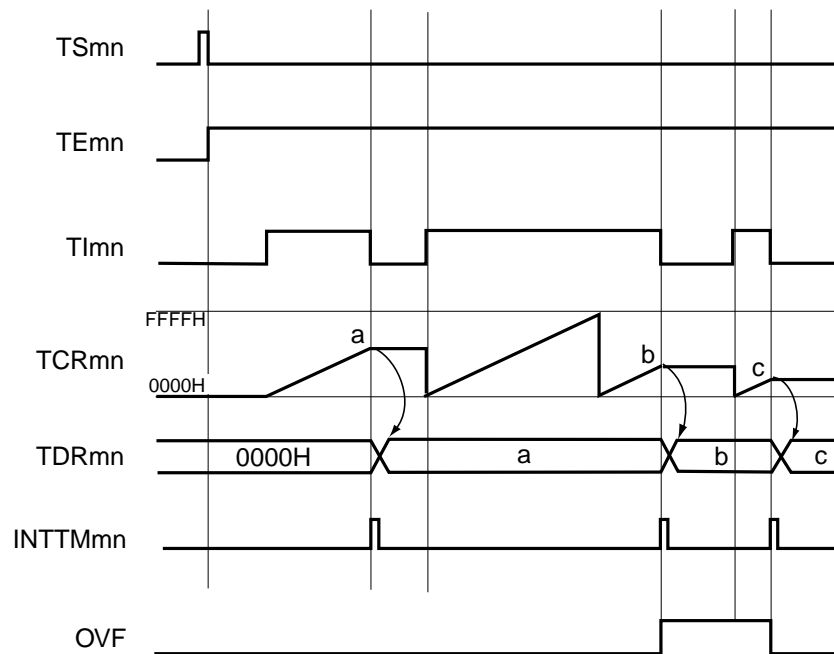
CISmn1, CISmn0 of TMRmn register = 11B: High-level width is measured.

Figure 8-57. Block Diagram of Operation as Input Signal High-/Low-Level Width Measurement



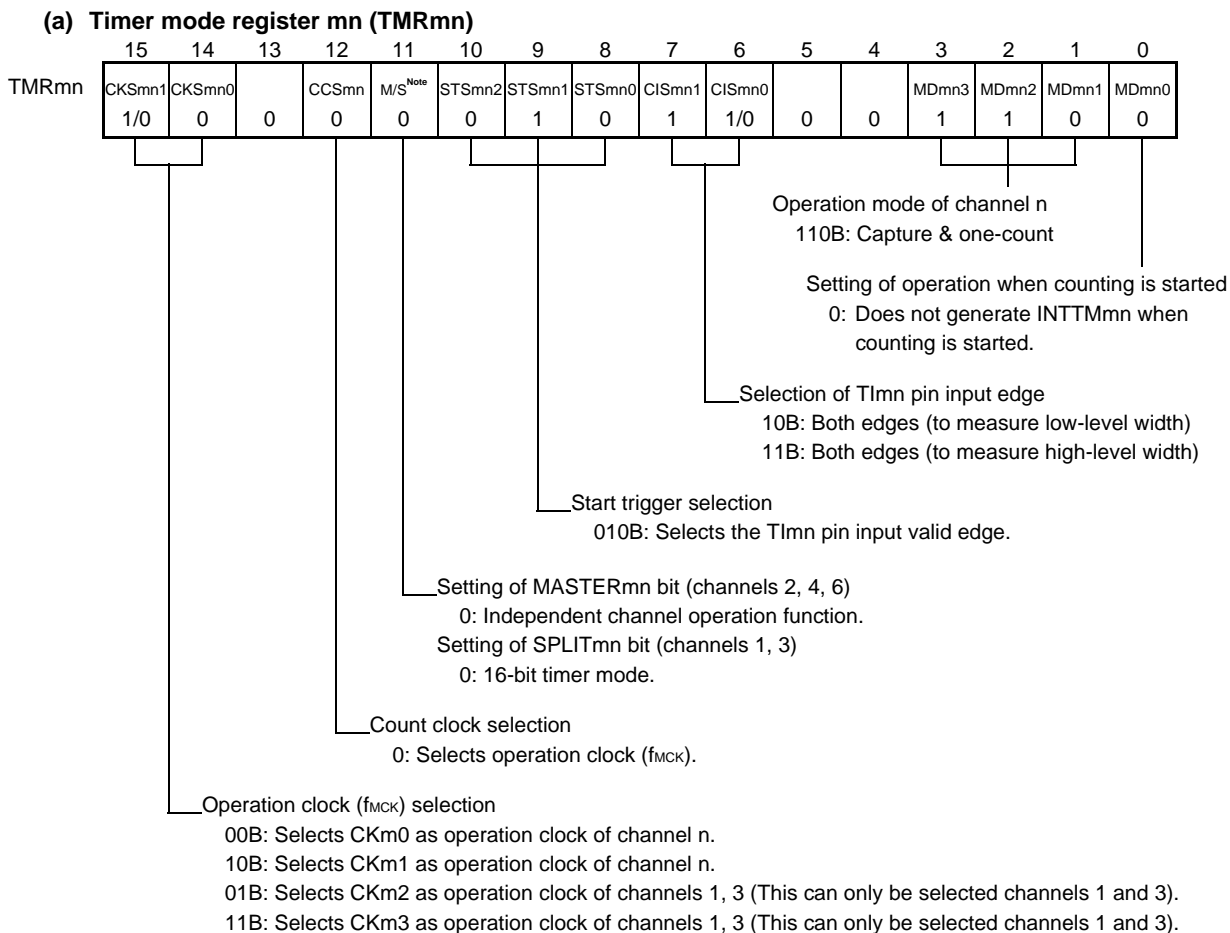
Note For channels 1 and 3, the clock can be selected from CKm0, CKm1, CKm2 and CKm3.

Figure 8-58. Example of Basic Timing of Operation as Input Signal High-/Low-Level Width Measurement

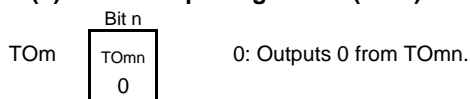


- Remarks**
1. m: Unit number (m = 0), n: Channel number (n = 0 to 7)
 2. TSmn: Bit n of timer channel start register m (TSm)
 - TEmn: Bit n of timer channel enable status register m (TEm)
 - TImn: TImn pin input signal
 - TCRmn: Timer count register mn (TCRmn)
 - TDRmn: Timer data register mn (TDRmn)
 - OVF: Bit 0 of timer status register mn (TSRmn)

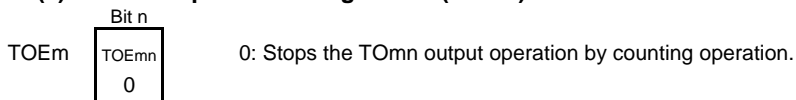
Figure 8-59. Example of Set Contents of Registers to Measure Input Signal High-/Low-Level Width



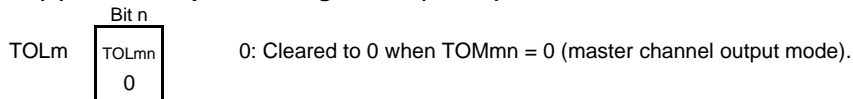
(b) Timer output register m (TOM)



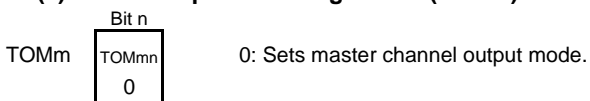
(c) Timer output enable register m (TOEm)



(d) Timer output level register m (TOLm)



(e) Timer output mode register m (TOMm)



Note TMRm2, TMRm4, TMRm6: MASTERmn bit
 TMRm1, TMRm3: SPLITmn bit
 TMRm0, TMRm5, TMRm7: Fixed to 0

Remark m: Unit number (m = 0), n: Channel number (n = 0 to 7)

Figure 8-60. Operation Procedure When Input Signal High-/Low-Level Width Measurement Function Is Used

	Software Operation	Hardware Status
TAU default setting		Power-off status (Clock supply is stopped and writing to each register is disabled.)
	Sets the TAUmEN bit of peripheral enable register 0 (PER0) to 1.	Power-on status. Each channel stops operating. (Clock supply is started and writing to each register is enabled.)
	Sets timer clock select register m (TPSm). Determines clock frequencies of CKm0 to CKm3.	
Channel default setting	Sets the corresponding bit of the noise filter enable register 1 (NFEN1) to 0 (off) or 1 (on). Sets timer mode register mn (TMRmn) (determines operation mode of channel). Clears the TOEmn bit to 0 and stops operation of TOMn.	Channel stops operating. (Clock is supplied and some power is consumed.)
Operation start	Sets the TSmn bit to 1. The TSmn bit automatically returns to 0 because it is a trigger bit.	TEmn = 1, and the TImn pin start edge detection wait status is set.
	Detects the TImn pin input count start valid edge.	Clears timer count register mn (TCRmn) to 0000H and starts counting up.
During operation	Set value of the TDRmn register can be changed. The TCRmn register can always be read. The TSRmn register is not used. Set values of the TMRmn register, TOMmn, TOLmn, TOMn, and TOEmn bits cannot be changed.	When the TImn pin start edge is detected, the counter (TCRmn) counts up from 0000H. If a capture edge of the TImn pin is detected, the count value is transferred to timer data register mn (TDRmn) and INTTMmn is generated. If an overflow occurs at this time, the OVF bit of timer status register mn (TSRmn) is set; if an overflow does not occur, the OVF bit is cleared. The TCRmn register stops the count operation until the next TImn pin start edge is detected.
Operation stop	The TTmn bit is set to 1. The TTmn bit automatically returns to 0 because it is a trigger bit.	TEmn = 0, and count operation stops. The TCRmn register holds count value and stops. The OVF bit of the TSRmn register is also held.
TAU stop	The TAUmEN bit of the PER0 register is cleared to 0.	Power-off status All circuits are initialized and SFR of each channel is also initialized.

Operation is resumed.

Remark m: Unit number (m = 0), n: Channel number (n = 0 to 7)

8.8.5 Operation as delay counter

It is possible to start counting down when the valid edge of the TImn pin input is detected (an external event), and then generate INTTMmn (a timer interrupt) after any specified interval.

It can also generate INTTMmn (timer interrupt) at any interval by making a software set TSmn = 1 and the count down start during the period of TEMn = 1.

The interrupt generation period can be calculated by the following expression.

$$\text{Generation period of INTTMmn (timer interrupt)} = \text{Period of count clock} \times (\text{Set value of TDRmn} + 1)$$

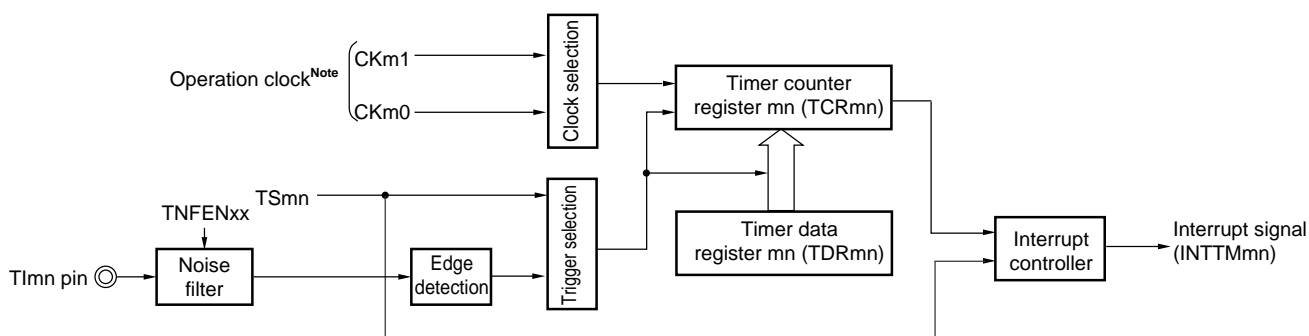
Timer count register mn (TCRmn) operates as a down counter in the one-count mode.

When the channel start trigger bit (TSmn, TSHm1, TSHm3) of timer channel start register m (TSM) is set to 1, the TEMn, TEHm1, TEHm3 bits are set to 1 and the TImn pin input valid edge detection wait status is set.

Timer count register mn (TCRmn) starts operating upon TImn pin input valid edge detection and loads the value of timer data register mn (TDRmn). The TCRmn register counts down from the value of the TDRmn register it has loaded, in synchronization with the count clock. When TCRmn = 0000H, it outputs INTTMmn and stops counting until the next TImn pin input valid edge is detected.

The TDRmn register can be rewritten at any time. The new value of the TDRmn register becomes valid from the next period.

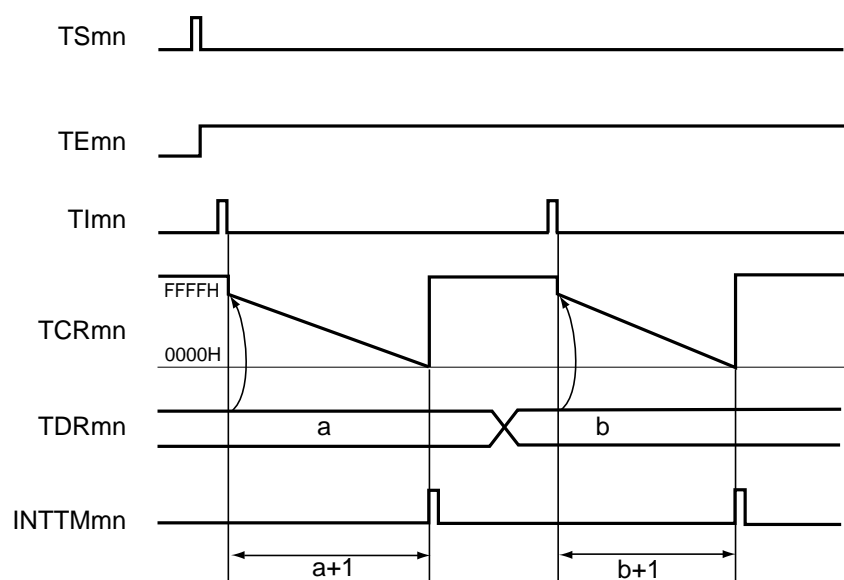
Figure 8-61. Block Diagram of Operation as Delay Counter



Note For using channels 1 and 3, the clock can be selected from CKm0, CKm1, CKm2 and CKm3.

Remark m: Unit number (m = 0), n: Channel number (n = 0 to 7)

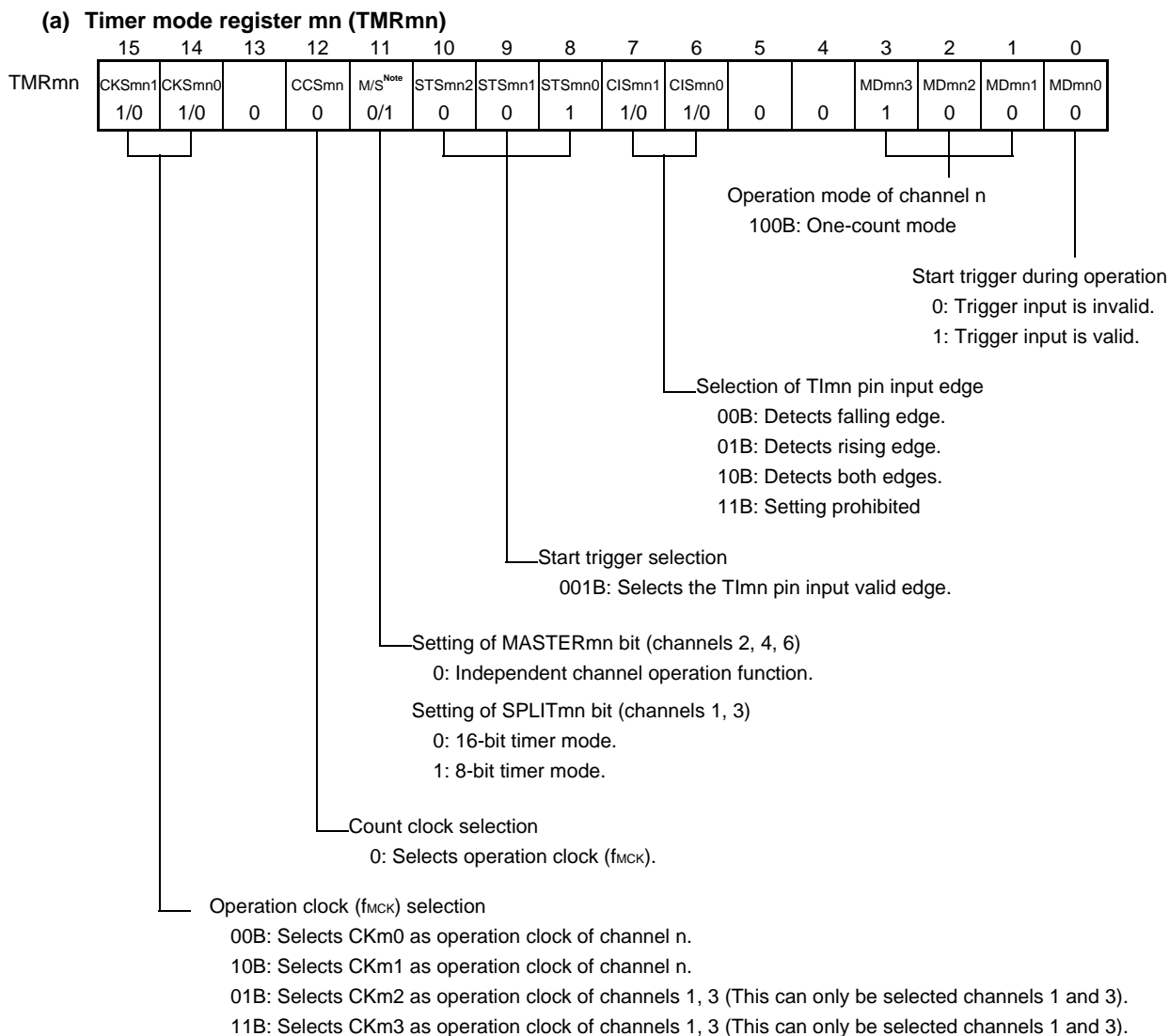
Figure 8-62. Example of Basic Timing of Operation as Delay Counter



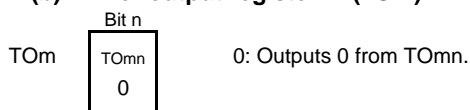
Remarks 1. m: Unit number ($m = 0$), n: Channel number ($n = 0$ to 7)

2. TSmn: Bit n of timer channel start register m (TSm)
- TE mn: Bit n of timer channel enable status register m (TE m)
- TImn: TImn pin input signal
- TCRmn: Timer count register mn (TCRmn)
- TDRmn: Timer data register mn (TDRmn)

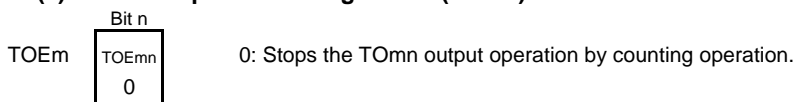
Figure 8-63. Example of Set Contents of Registers to Delay Counter (1/2)



(b) Timer output register m (TOM)



(c) Timer output enable register m (TOEm)



Note TMRm2, TMRm4, TMRm6: MASTERmn bit
 TMRm1, TMRm3: SPLITmn bit
 TMRm0, TMRm5, TMRm7: Fixed to 0

Remark m: Unit number (m = 0), n: Channel number (n = 0 to 7)

Figure 8-63. Example of Set Contents of Registers to Delay Counter (2/2)

(d) Timer output level register m (TOLm)

TOLm

Bit n
TOLmn
0

 0: Cleared to 0 when TOMmn = 0 (master channel output mode).

(e) Timer output mode register m (TOMm)

TOMm

Bit n
TOMmn
0

 0: Sets master channel output mode.

Remark m: Unit number (m = 0), n: Channel number (n = 0 to 7)

Figure 8-64. Operation Procedure When Delay Counter Function Is Used

	Software Operation	Hardware Status
TAU default setting		Power-off status (Clock supply is stopped and writing to each register is disabled.)
	Sets the TAUmEN bit of peripheral enable register 0 (PER0) to 1.	Power-on status. Each channel stops operating. (Clock supply is started and writing to each register is enabled.)
	Sets timer clock select register m (TPSm). Determines clock frequencies of CKm0 to CKm3.	
Channel default setting	Sets the corresponding bit of the noise filter enable register 1 (NFEN1) to 0 (off) or 1 (on). Sets timer mode register mn (TMRmn) (determines operation mode of channel). INTTMmn output delay is set to timer data register mn (TDRmn). Clears the TOEmn bit to 0 and stops operation of TOmn.	Channel stops operating. (Clock is supplied and some power is consumed.)
Operation start	Sets the TSmn bit to 1. The TSmn bit automatically returns to 0 because it is a trigger bit.	TEmn = 1, and the start trigger detection (the valid edge of the TImn pin input is detected or the TSmn bit is set to 1) wait status is set.
	The counter starts counting down by the next start trigger detection. • Detects the TImn pin input valid edge. • Sets the TSmn bit to 1 by the software.	Value of the TDRmn register is loaded to the timer count register mn (TCRmn).
During operation	Set value of the TDRmn register can be changed. The TCRmn register can always be read. The TSRmn register is not used.	The counter (TCRmn) counts down. When the count value of TCRmn reaches 0000H, the INTTMmn output is generated, and the count operation stops until the next start trigger detection (the valid edge of the TImn pin input is detected or the TSmn bit is set to 1).
Operation stop	The TTmn bit is set to 1. The TTmn bit automatically returns to 0 because it is a trigger bit.	TEmn = 0, and count operation stops. The TCRmn register holds count value and stops.
TAU stop	The TAUmEN bit of the PER0 register is cleared to 0.	Power-off status All circuits are initialized and SFR of each channel is also initialized.

Operation is resumed.

Remark m: Unit number (m = 0), n: Channel number (n = 0 to 7)

8.9 Simultaneous Channel Operation Function of Timer Array Unit

8.9.1 Operation as one-shot pulse output function

By using two channels as a set, a one-shot pulse having any delay pulse width can be generated from the signal input to the TImn pin.

The delay time and pulse width can be calculated by the following expressions.

$\text{Delay time} = \{\text{Set value of TDRmn (master)} + 2\} \times \text{Count clock period}$ $\text{Pulse width} = \{\text{Set value of TDRmp (slave)}\} \times \text{Count clock period}$

The master channel operates in the one-count mode and counts the delays. Timer count register mn (TCRmn) of the master channel starts operating upon start trigger detection and loads the value of timer data register mn (TDRmn).

The TCRmn register counts down from the value of the TDRmn register it has loaded, in synchronization with the count clock. When TCRmn = 0000H, it outputs INTTMmn and stops counting until the next start trigger is detected.

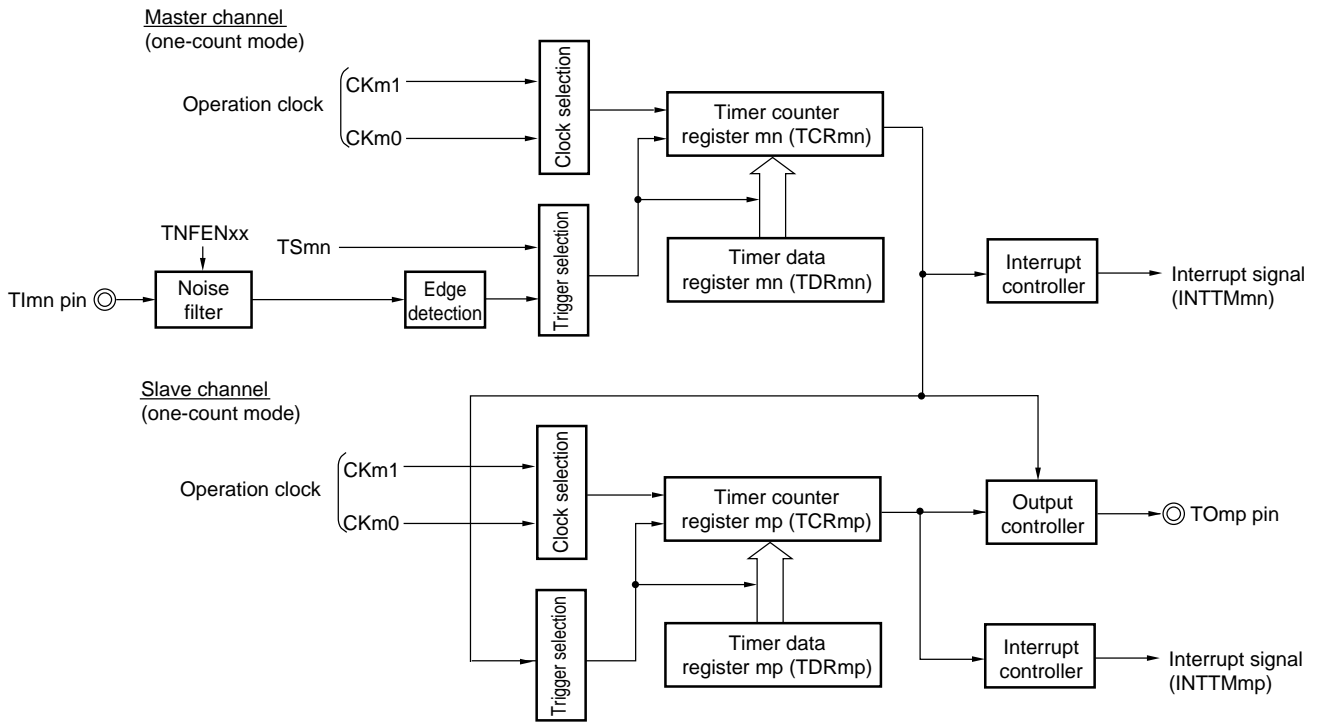
The slave channel operates in the one-count mode and counts the pulse width. The TCRmp register of the slave channel starts operation using INTTMmn of the master channel as a start trigger, and loads the value of the TDRmp register. The TCRmp register counts down from the value of the TDRmp register it has loaded, in synchronization with the count value. When count value = 0000H, it outputs INTTMmp and stops counting until the next start trigger (INTTMmn of the master channel) is detected. The output level of TOmp becomes active one count clock after generation of INTTMmn from the master channel, and inactive when TCRmp = 0000H.

Instead of using the TImn pin input, a one-shot pulse can also be output using the software operation (TSmn = 1) as a start trigger.

<R> **Caution** The timing of loading of timer data register mn (TDRmn) of the master channel is different from that of the TDRmp register of the slave channel. If the TDRmn and TDRmp registers are rewritten during count operation, therefore, an illegal waveform may be output by conflicting with load timing. Rewrite the TDRmn register after INTTMmn is generated and the TDRmp register after INTTMmp is generated.

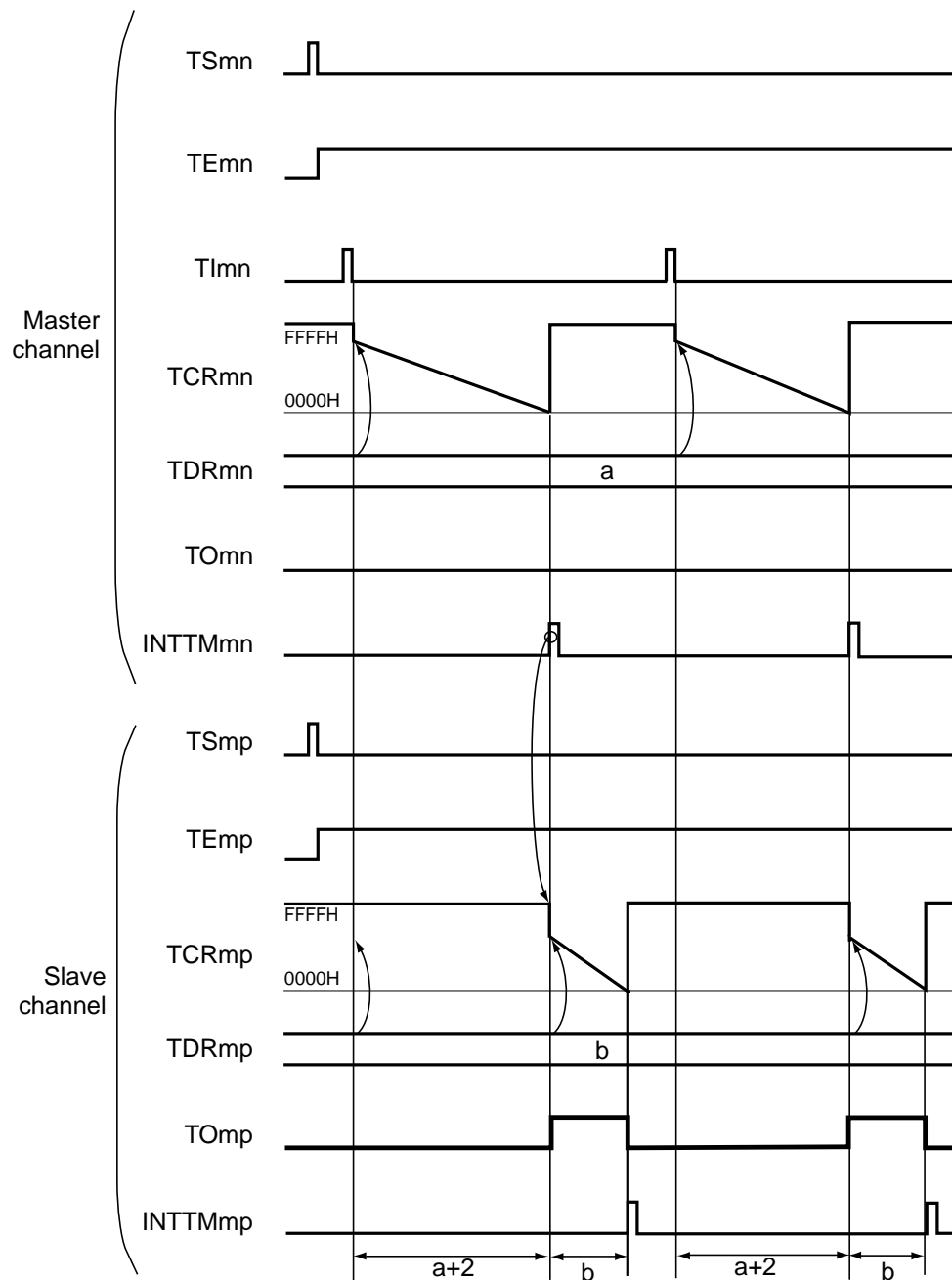
Remark m: Unit number (m = 0), n: Channel number (n = 0, 2, 4, 6)
p: Slave channel number (n < p ≤ 7)

Figure 8-65. Block Diagram of Operation as One-Shot Pulse Output Function



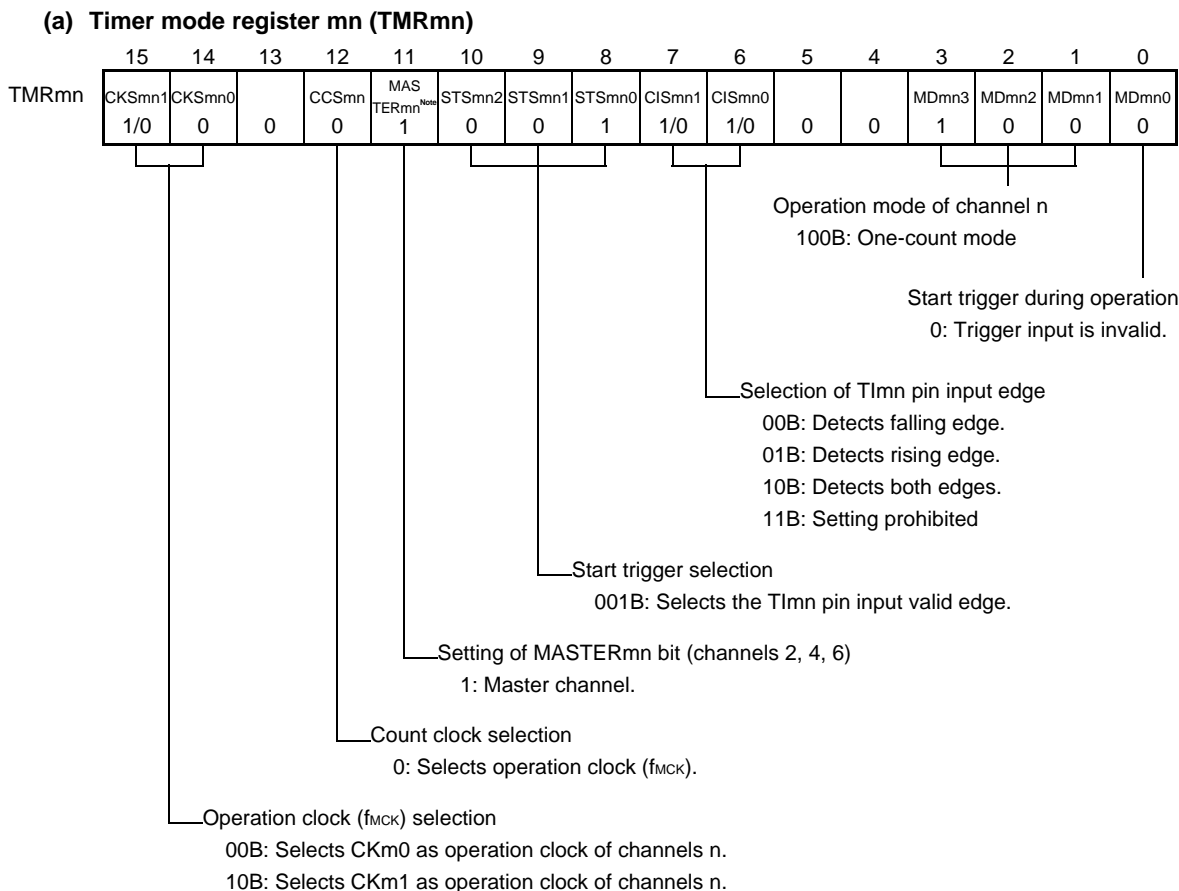
Remark m: Unit number ($m = 0$), n: Channel number ($n = 0, 2, 4, 6$)
 p: Slave channel number ($n < p \leq 7$)

Figure 8-66. Example of Basic Timing of Operation as One-Shot Pulse Output Function

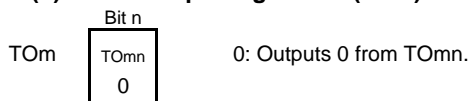


- Remarks**
1. m: Unit number (m = 0), n: Channel number (n = 0, 2, 4, 6)
p: Slave channel number (n < p ≤ 7)
 2. TSmn, TSmp: Bit n, p of timer channel start register m (TSM)
TEmn, TEmp: Bit n, p of timer channel enable status register m (TEM)
TImn, TImp: TImn and TImp pins input signal
TCRmn, TCRmp: Timer count registers mn, mp (TCRmn, TCRmp)
TDRmn, TDRmp: Timer data registers mn, mp (TDRmn, TDRmp)
TOnn, TOmp: TOnn and TOmp pins output signal

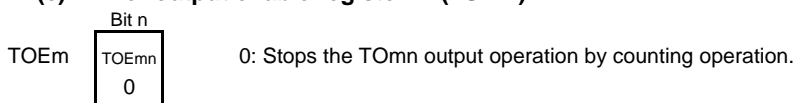
Figure 8-67. Example of Set Contents of Registers When One-Shot Pulse Output Function Is Used (Master Channel)



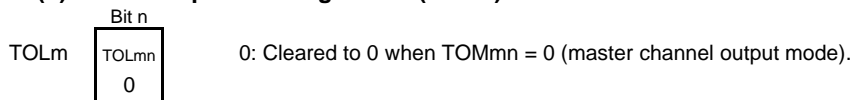
(b) Timer output register m (TOM)



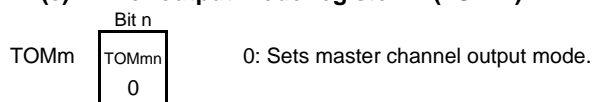
(c) Timer output enable register m (TOEm)



(d) Timer output level register m (TOLm)



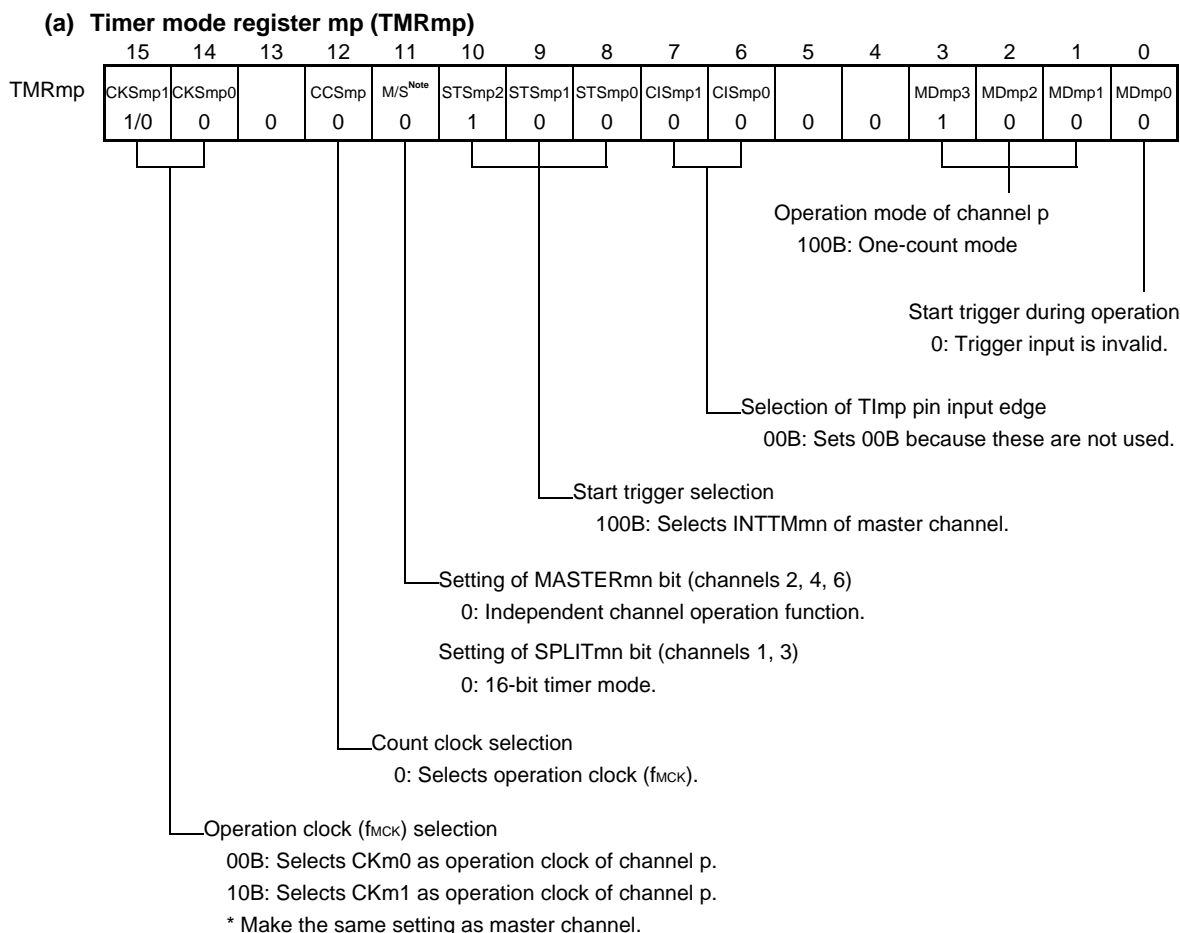
(e) Timer output mode register m (TOMm)



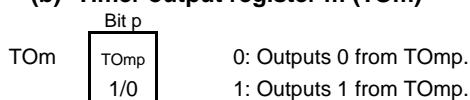
Note TMRm2, TMRm4, TMRm6: MASTERmn = 1
 TMRm0: Fixed to 0

Remark m: Unit number (m = 0), n: Channel number (n = 0, 2, 4, 6)

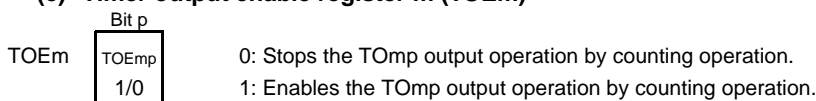
Figure 8-68. Example of Set Contents of Registers When One-Shot Pulse Output Function Is Used (Slave Channel)



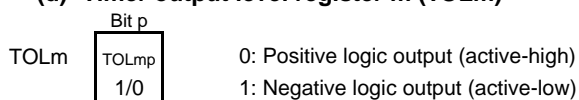
(b) **Timer output register m (TOM)**



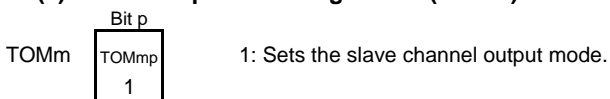
(c) **Timer output enable register m (TOEm)**



(d) **Timer output level register m (TOLm)**



(e) **Timer output mode register m (TOMm)**



Note TMRm2, TMRm4, TMRm6: MASTERmn bit
 TMRm1, TMRm3: SPLITmp bit
 TMRm5, TMRm7: Fixed to 0

Remark m: Unit number (m = 0), n: Channel number (n = 0, 2, 4, 6)
 p: Slave channel number (n < p ≤ 7)

Figure 8-69. Operation Procedure of One-Shot Pulse Output Function (1/2)

	Software Operation	Hardware Status
TAU default setting		Power-off status (Clock supply is stopped and writing to each register is disabled.)
	Sets the TAUmEN bit of peripheral enable registers 0 (PER0) to 1.	Power-on status. Each channel stops operating. (Clock supply is started and writing to each register is enabled.)
	Sets timer clock select register m (TPSm). Determines clock frequencies of CKm0 and CKm1.	
Channel default setting	Sets the corresponding bit of the noise filter enable register 1 (NFEN1) to 1 (on). Sets timer mode register mn, mp (TMRmn, TMRmp) of two channels to be used (determines operation mode of channels). An output delay is set to timer data register mn (TDRmn) of the master channel, and a pulse width is set to the TDRmp register of the slave channel.	Channel stops operating. (Clock is supplied and some power is consumed.)
	Sets slave channel. The TOMmp bit of timer output mode register m (TOMm) is set to 1 (slave channel output mode). Sets the TOLmp bit. Sets the TOmp bit and determines default level of the TOmp output. Sets the TOEmp bit to 1 and enables operation of TOmp. Clears the port register and port mode register to 0.	The TOmp pin goes into Hi-Z output state. The TOmp default setting level is output when the port mode register is in output mode and the port register is 0. TOmp does not change because channel stops operating. The TOmp pin outputs the TOmp set level.

(Remark is listed on the next page.)

Figure 8-69. Operation Procedure of One-Shot Pulse Output Function (2/2)

	Software Operation	Hardware Status
Operation start	<p>Sets the TOEmp bit (slave) to 1 (only when operation is resumed).</p> <p>The TSmn (master) and TSmp (slave) bits of timer channel start register m (TSM) are set to 1 at the same time.</p> <p>The TSmn and TSmp bits automatically return to 0 because they are trigger bits.</p>	<p>The TEMn and TEmP bits are set to 1 and the master channel enters the start trigger detection (the valid edge of the TImn pin input is detected or the TSmn bit of the master channel is set to 1) wait status.</p> <p>Counter stops operating.</p>
	<p>Count operation of the master channel is started by start trigger detection of the master channel.</p> <ul style="list-style-type: none"> • Detects the TImn pin input valid edge. • Sets the TSmn bit of the master channel to 1 by software^{Note}. <p>Note Do not set the TSmn bit of the slave channel to 1.</p>	<p>Master channel starts counting.</p>
During operation	<p>Set values of only the CISmn1 and CISmn0 bits of the TMRmn register can be changed.</p> <p>Set values of the TMRmp, TDRmn, TDRmp registers, TOMmn, TOMmp, TOLmn, and TOLmp bits cannot be changed.</p> <p>The TCRmn and TCRmp registers can always be read.</p> <p>The TSRmn and TSRmp registers are not used.</p> <p>Set values of the TOm and TOEm registers by slave channel can be changed.</p>	<p>Master channel loads the value of the TDRmn register to timer count register mn (TCRmn) by the start trigger detection (the valid edge of the TImn pin input is detected or the TSmn bit of the master channel is set to 1), and the counter starts counting down. When the count value reaches TCRmn = 0000H, the INTTMmn output is generated, and the counter stops until the next start trigger detection.</p> <p>The slave channel, triggered by INTTMmn of the master channel, loads the value of the TDRmp register to the TCRmp register, and the counter starts counting down. The output level of TOmp becomes active one count clock after generation of INTTMmn from the master channel. It becomes inactive when TCRmp = 0000H, and the counting operation is stopped.</p> <p>After that, the above operation is repeated.</p>
Operation stop	<p>The TTmn (master) and TTmp (slave) bits are set to 1 at the same time.</p> <p>The TTmn and TTmp bits automatically return to 0 because they are trigger bits.</p>	<p>TEMn, TEmP = 0, and count operation stops.</p> <p>The TCRmn and TCRmp registers hold count value and stop.</p> <p>The TOmp output is not initialized but holds current status.</p>
	<p>The TOEmp bit of slave channel is cleared to 0 and value is set to the TOmp bit.</p>	<p>The TOmp pin outputs the TOmp set level.</p>
TAU stop	<p>To hold the TOmp pin output level</p> <p>Clears the TOmp bit to 0 after the value to be held is set to the port register.</p> <p>When holding the TOmp pin output level is not necessary</p> <p>Setting not required.</p>	<p>The TOmp pin output level is held by port function.</p>
	<p>The TAUmEN bit of the PER0 register is cleared to 0.</p>	<p>Power-off status</p> <p>All circuits are initialized and SFR of each channel is also initialized.</p> <p>(The TOmp bit is cleared to 0 and the TOmp pin is set to port mode.)</p>

Operation is resumed.

Remark m: Unit number (m = 0), n: Channel number (n = 0, 2, 4, 6)
 p: Slave channel number (n < p ≤ 7)

8.9.2 Operation as PWM function

Two channels can be used as a set to generate a pulse of any period and duty factor.

The period and duty factor of the output pulse can be calculated by the following expressions.

$$\begin{aligned} \text{Pulse period} &= \{\text{Set value of TDRmn (master)} + 1\} \times \text{Count clock period} \\ \text{Duty factor [\%]} &= \{\text{Set value of TDRmp (slave)}\} / \{\text{Set value of TDRmn (master)} + 1\} \times 100 \\ \text{0\% output:} & \quad \text{Set value of TDRmp (slave)} = 0000\text{H} \\ \text{100\% output:} & \quad \text{Set value of TDRmp (slave)} \geq \{\text{Set value of TDRmn (master)} + 1\} \end{aligned}$$

Remark The duty factor exceeds 100% if the set value of TDRmp (slave) > (set value of TDRmn (master) + 1), it summarizes to 100% output.

The master channel operates in the interval timer mode. If the channel start trigger bit (TSmn) of timer channel start register m (TSm) is set to 1, an interrupt (INTTMmn) is output, the value set to timer data register mn (TDRmn) is loaded to timer count register mn (TCRmn), and the counter counts down in synchronization with the count clock. When the counter reaches 0000H, INTTMmn is output, the value of the TDRmn register is loaded again to the TCRmn register, and the counter counts down. This operation is repeated until the channel stop trigger bit (TTmn) of timer channel stop register m (TTm) is set to 1.

If two channels are used to output a PWM waveform, the period until the master channel counts down to 0000H is the PWM output (TOmp) cycle.

The slave channel operates in one-count mode. By using INTTMmn from the master channel as a start trigger, the TCRmp register loads the value of the TDRmp register and the counter counts down to 0000H. When the counter reaches 0000H, it outputs INTTMmp and waits until the next start trigger (INTTMmn from the master channel) is generated.

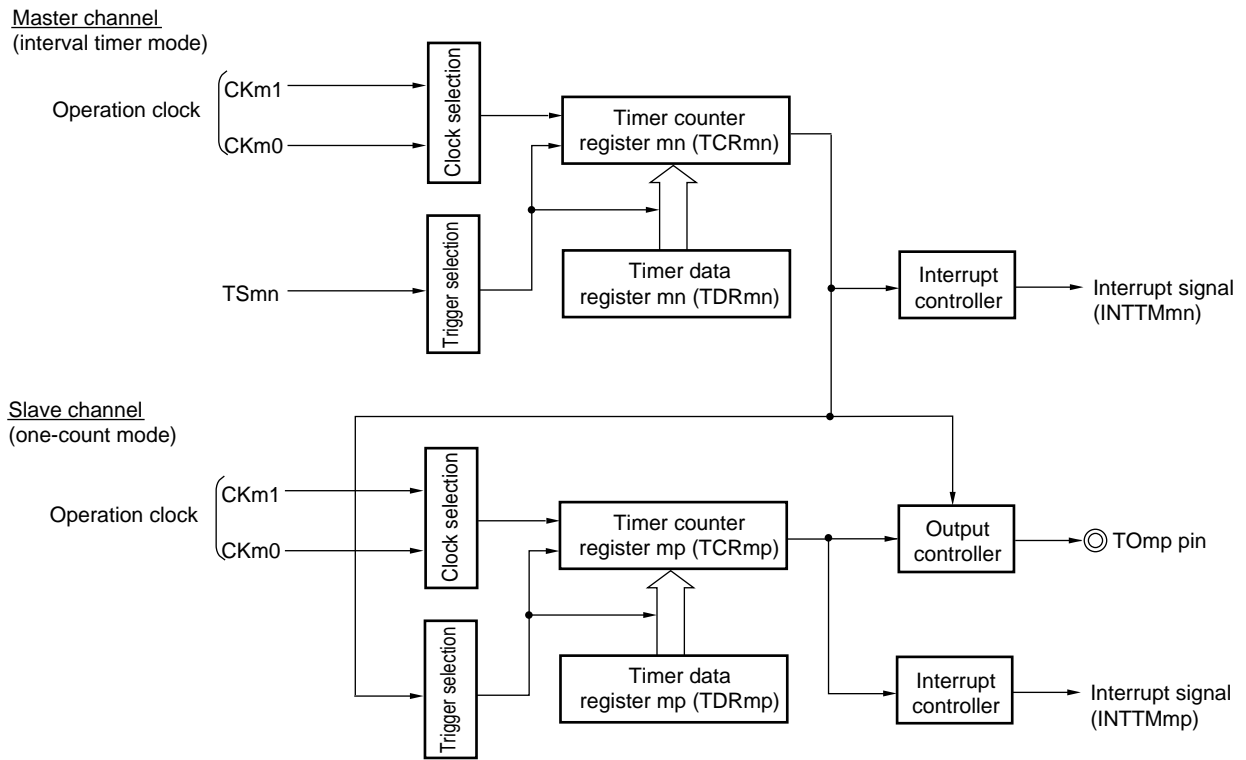
If two channels are used to output a PWM waveform, the period until the slave channel counts down to 0000H is the PWM output (TOmp) duty.

PWM output (TOmp) goes to the active level one clock after the master channel generates INTTMmn and goes to the inactive level when the TCRmp register of the slave channel becomes 0000H.

Caution To rewrite both timer data register mn (TDRmn) of the master channel and the TDRmp register of the slave channel, a write access is necessary two times. The timing at which the values of the TDRmn and TDRmp registers are loaded to the TCRmn and TCRmp registers is upon occurrence of INTTMmn of the master channel. Thus, when rewriting is performed split before and after occurrence of INTTMmn of the master channel, the TOmp pin cannot output the expected waveform. To rewrite both the TDRmn register of the master and the TDRmp register of the slave, therefore, be sure to rewrite both the registers immediately after INTTMmn is generated from the master channel.

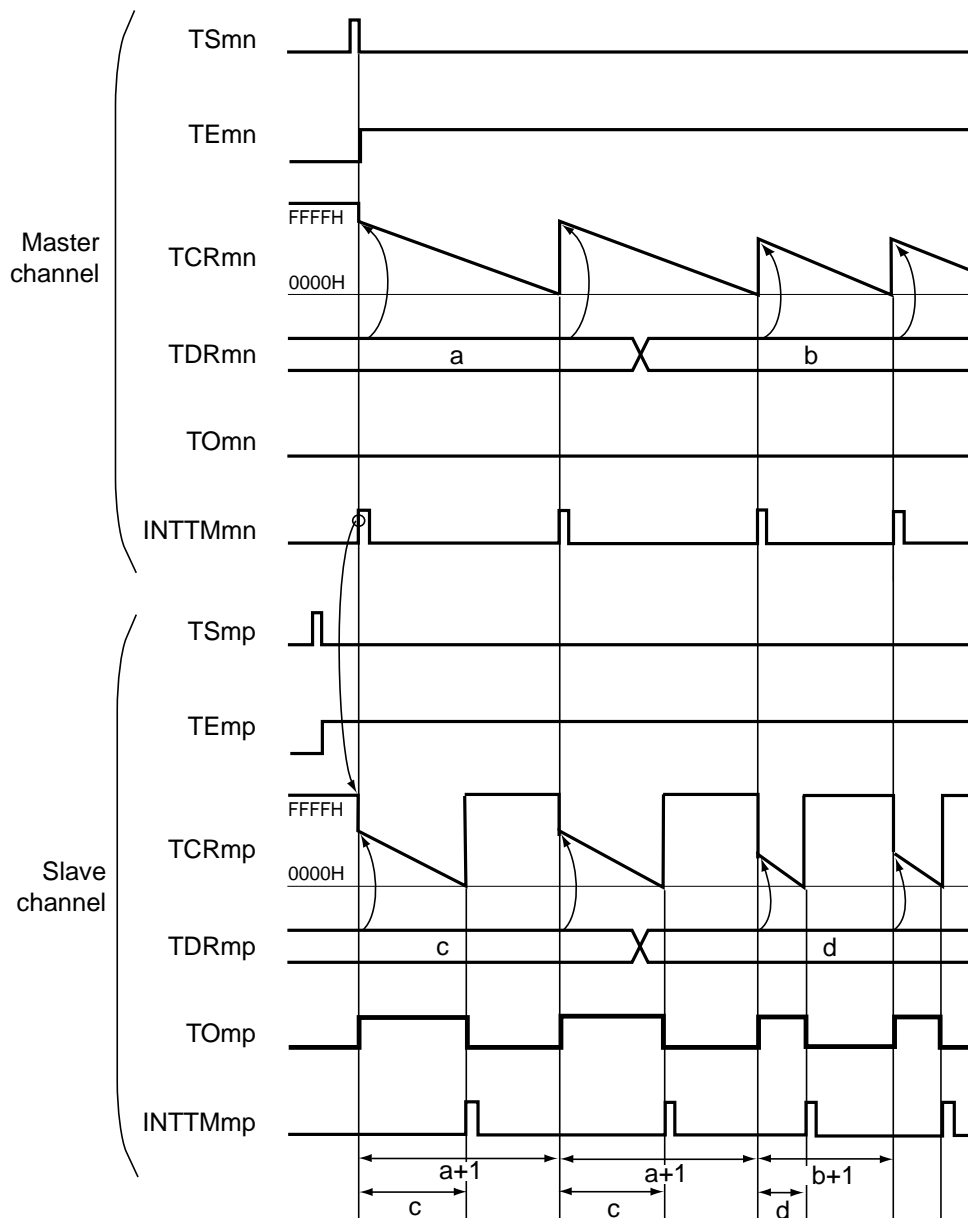
Remark m: Unit number (m = 0), n: Channel number (n = 0, 2, 4, 6)
p: Slave channel number (n < p ≤ 7)

Figure 8-70. Block Diagram of Operation as PWM Function



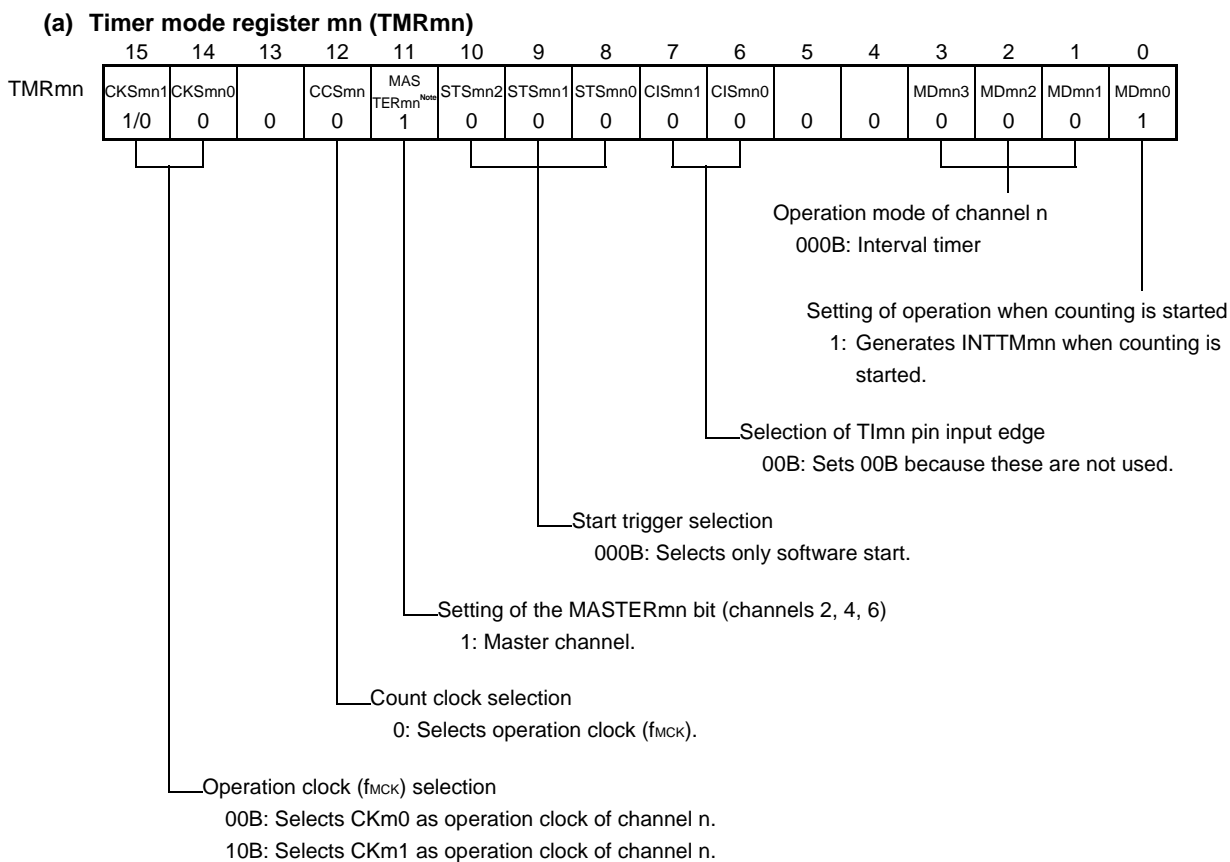
Remark m: Unit number (m = 0), n: Channel number (n = 0, 2, 4, 6)
 p: Slave channel number (n < p ≤ 7)

Figure 8-71. Example of Basic Timing of Operation as PWM Function

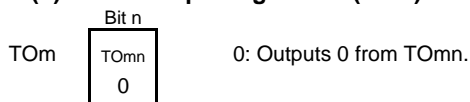


- Remarks 1.** m: Unit number (m = 0), n: Channel number (n = 0, 2, 4, 6)
 p: Slave channel number (n < p ≤ 7)
- 2.** TSmn, TSmp: Bit n, p of timer channel start register m (TSM)
 TEmn, TEmp: Bit n, p of timer channel enable status register m (TEM)
 TCRmn, TCRmp: Timer count registers mn, mp (TCRmn, TCRmp)
 TDRmn, TDRmp: Timer data registers mn, mp (TDRmn, TDRmp)
 TOmn, TOmp: TOmn and TOmp pins output signal

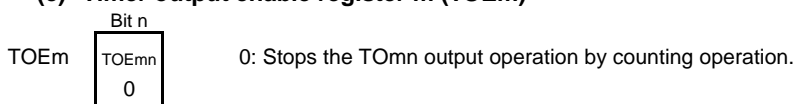
Figure 8-72. Example of Set Contents of Registers When PWM Function (Master Channel) Is Used



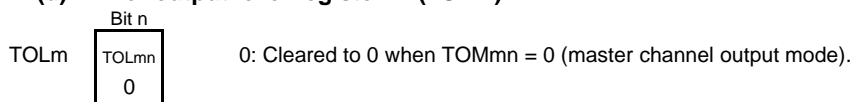
(b) Timer output register m (TOM)



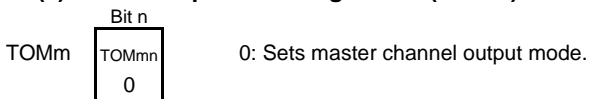
(c) Timer output enable register m (TOEm)



(d) Timer output level register m (TOLm)



(e) Timer output mode register m (TOMm)

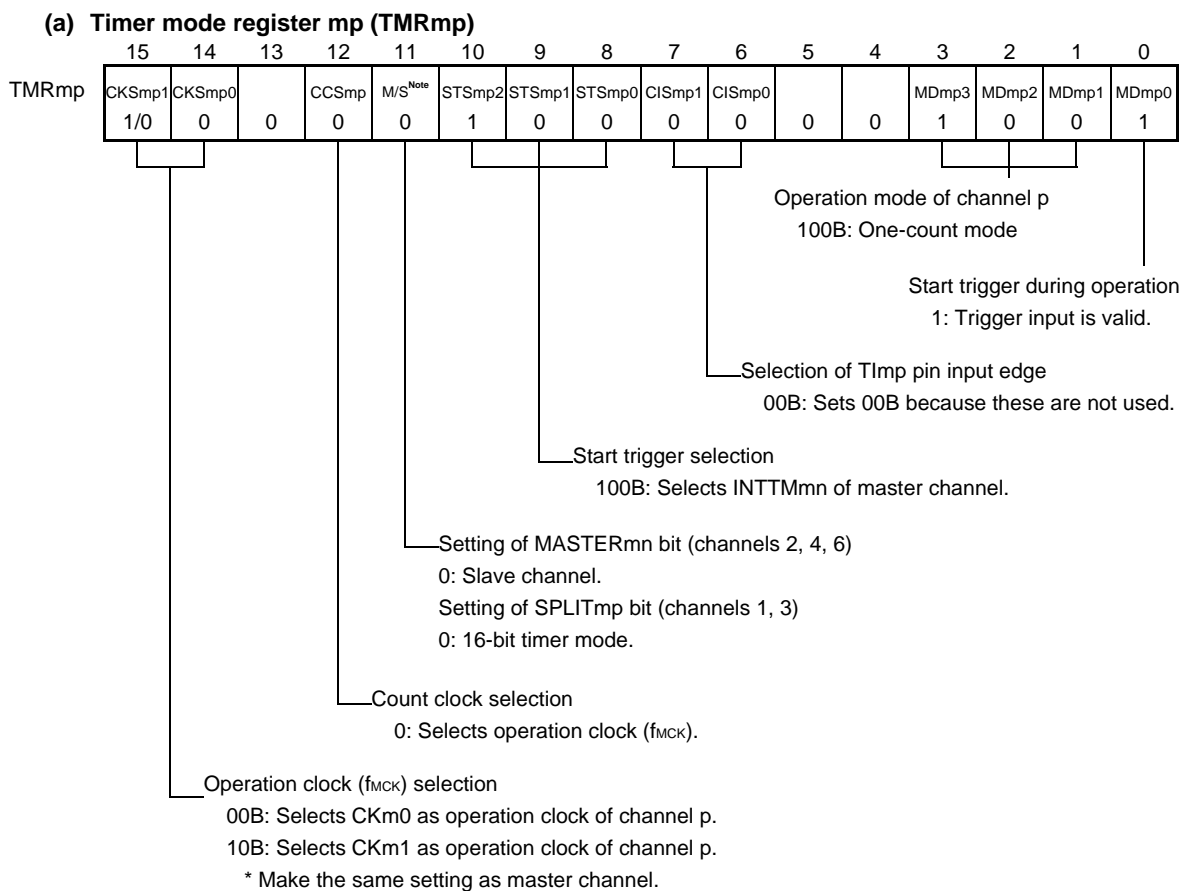


Note TMRm2, TMRm4, TMRm6: MASTERmn = 1

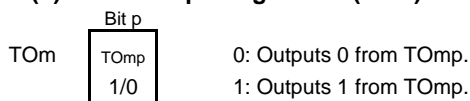
TMRm0: Fixed to 0

Remark m: Unit number (m = 0), n: Channel number (n = 0, 2, 4, 6)

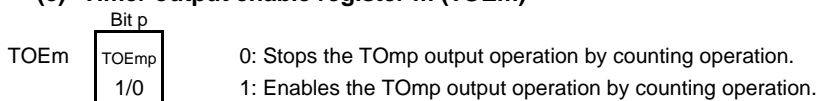
Figure 8-73. Example of Set Contents of Registers When PWM Function (Slave Channel) Is Used



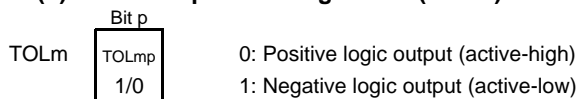
(b) Timer output register m (TOM)



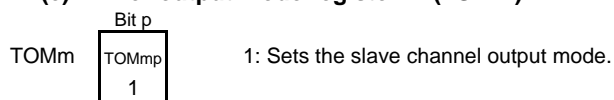
(c) Timer output enable register m (TOEm)



(d) Timer output level register m (TOLm)



(e) Timer output mode register m (TOMm)



Note TMRm2, TMRm4, TMRm6: MASTERmn bit
 TMRm1, TMRm3: SPLITmp bit
 TMRm5, TMRm7: Fixed to 0

Remark m: Unit number (m = 0), n: Channel number (n = 0, 2, 4, 6)
 p: Slave channel number (n < p ≤ 7)

Figure 8-74. Operation Procedure When PWM Function Is Used (1/2)

	Software Operation	Hardware Status
TAU default setting		Stops supply of timer array unit m input clock. (Clock supply is stopped and writing to each register is disabled.)
	Sets the TAUmEN bit of peripheral enable register 0 (PER0) to 1. →	Supplies timer array unit m input clock. Each channel stops operating. (Clock supply is started and writing to each register is enabled.)
	Sets timer clock select register m (TPSm). Determines clock frequencies of CKm0 and CKm1.	
Channel default setting	Sets timer mode registers mn, mp (TMRmn, TMRmp) of two channels to be used (determines operation mode of channels). An interval (period) value is set to timer data register mn (TDRmn) of the master channel, and a duty factor is set to the TDRmp register of the slave channel.	Channel stops operating. (Clock is supplied and some power is consumed.)
	Sets slave channel. The TOMmp bit of timer output mode register m (TOMm) is set to 1 (slave channel output mode). Sets the TOLmp bit. Sets the TOmp bit and determines default level of the TOmp output. →	The TOmp pin goes into Hi-Z output state.
	Sets the TOEmp bit to 1 and enables operation of TOmp. → Clears the port register and port mode register to 0. →	The TOmp default setting level is output when the port mode register is in output mode and the port register is 0. TOmp does not change because channel stops operating. The TOmp pin outputs the TOmp set level.

(Remark is listed on the next page.)

Figure 8-74. Operation Procedure When PWM Function Is Used (2/2)

	Software Operation	Hardware Status
Operation is resumed.	<p>Operation start</p> <p>Sets the TOEmp bit (slave) to 1 (only when operation is resumed).</p> <p>The TSmn (master) and TSmp (slave) bits of timer channel start register m (TSm) are set to 1 at the same time.</p> <p>The TSmn and TSmp bits automatically return to 0 because they are trigger bits.</p>	<p>TEmn = 1, TEm = 1</p> <p>▶ When the master channel starts counting, INTTMmn is generated. Triggered by this interrupt, the slave channel also starts counting.</p>
	<p>During operation</p> <p>Set values of the TMRmn and TMRmp registers, TOMmn, TOMmp, TOLmn, and TOLmp bits cannot be changed.</p> <p>Set values of the TDRmn and TDRmp registers can be changed after INTTMmn of the master channel is generated.</p> <p>The TCRmn and TCRmp registers can always be read.</p> <p>The TSRmn and TSRmp registers are not used.</p>	<p>The counter of the master channel loads the TDRmn register value to timer count register mn (TCRmn), and counts down. When the count value reaches TCRmn = 0000H, INTTMmn output is generated. At the same time, the value of the TDRmn register is loaded to the TCRmn register, and the counter starts counting down again.</p> <p>At the slave channel, the value of the TDRmp register is loaded to the TCRmp register, triggered by INTTMmn of the master channel, and the counter starts counting down. The output level of TOmp becomes active one count clock after generation of the INTTMmn output from the master channel. It becomes inactive when TCRmp = 0000H, and the counting operation is stopped.</p> <p>After that, the above operation is repeated.</p>
	<p>Operation stop</p> <p>The TTmn (master) and TTmp (slave) bits are set to 1 at the same time.</p> <p>The TTmn and TTmp bits automatically return to 0 because they are trigger bits.</p>	<p>TEmn, TEm = 0, and count operation stops.</p> <p>The TCRmn and TCRmp registers hold count value and stop.</p> <p>The TOmp output is not initialized but holds current status.</p>
	<p>The TOEmp bit of slave channel is cleared to 0 and value is set to the TOmp bit.</p>	<p>▶ The TOmp pin outputs the TOmp set level.</p>
<p>TAU stop</p> <p>To hold the TOmp pin output level</p> <p>Clears the TOmp bit to 0 after the value to be held is set to the port register.</p> <p>When holding the TOmp pin output level is not necessary</p> <p>Setting not required.</p>	<p>▶ The TOmp pin output level is held by port function.</p>	
<p>The TAUmEN bit of the PER0 register is cleared to 0.</p>	<p>▶ Power-off status</p> <p>All circuits are initialized and SFR of each channel is also initialized.</p> <p>(The TOmp bit is cleared to 0 and the TOmp pin is set to port mode.)</p>	

Remark m: Unit number (m = 0), n: Channel number (n = 0, 2, 4, 6)
 p: Slave channel number (n < p ≤ 7)

8.9.3 Operation as multiple PWM output function

By extending the PWM function and using multiple slave channels, many PWM waveforms with different duty values can be output.

For example, when using two slave channels, the period and duty factor of an output pulse can be calculated by the following expressions.

$$\begin{aligned} \text{Pulse period} &= \{\text{Set value of TDRmn (master)} + 1\} \times \text{Count clock period} \\ \text{Duty factor 1 [\%]} &= \{\text{Set value of TDRmp (slave 1)}\} / \{\text{Set value of TDRmn (master)} + 1\} \times 100 \\ \text{Duty factor 2 [\%]} &= \{\text{Set value of TDRmq (slave 2)}\} / \{\text{Set value of TDRmn (master)} + 1\} \times 100 \end{aligned}$$

Remark Although the duty factor exceeds 100% if the set value of TDRmp (slave 1) > {set value of TDRmn (master) + 1} or if the {set value of TDRmq (slave 2)} > {set value of TDRmn (master) + 1}, it is summarized into 100% output.

Timer count register mn (TCRmn) of the master channel operates in the interval timer mode and counts the periods.

The TCRmp register of the slave channel 1 operates in one-count mode, counts the duty factor, and outputs a PWM waveform from the TOmp pin. The TCRmp register loads the value of timer data register mp (TDRmp), using INTTMmn of the master channel as a start trigger, and starts counting down. When TCRmp = 0000H, TCRmp outputs INTTMmp and stops counting until the next start trigger (INTTMmn of the master channel) has been input. The output level of TOmp becomes active one count clock after generation of INTTMmn from the master channel, and inactive when TCRmp = 0000H.

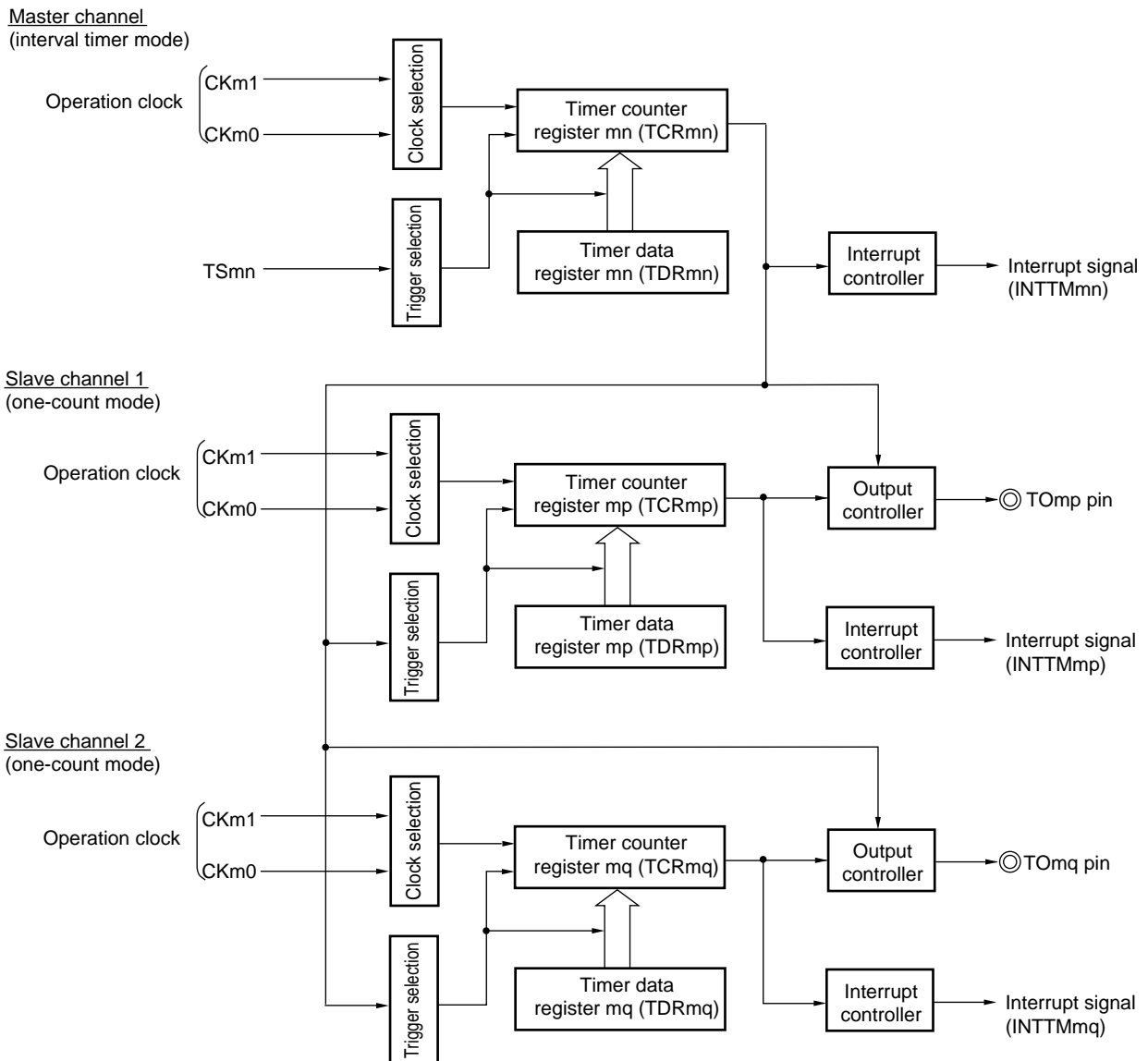
In the same way as the TCRmp register of the slave channel 1, the TCRmq register of the slave channel 2 operates in one-count mode, counts the duty factor, and outputs a PWM waveform from the TOMq pin. The TCRmq register loads the value of the TDRmq register, using INTTMmn of the master channel as a start trigger, and starts counting down. When TCRmq = 0000H, the TCRmq register outputs INTTMmq and stops counting until the next start trigger (INTTMmn of the master channel) has been input. The output level of TOMq becomes active one count clock after generation of INTTMmn from the master channel, and inactive when TCRmq = 0000H.

When channel 0 is used as the master channel as above, up to seven types of PWM signals can be output at the same time.

Caution To rewrite both timer data register mn (TDRmn) of the master channel and the TDRmp register of the slave channel 1, write access is necessary at least twice. Since the values of the TDRmn and TDRmp registers are loaded to the TCRmn and TCRmp registers after INTTMmn is generated from the master channel, if rewriting is performed separately before and after generation of INTTMmn from the master channel, the TOmp pin cannot output the expected waveform. To rewrite both the TDRmn register of the master and the TDRmp register of the slave, be sure to rewrite both the registers immediately after INTTMmn is generated from the master channel (This applies also to the TDRmq register of the slave channel 2).

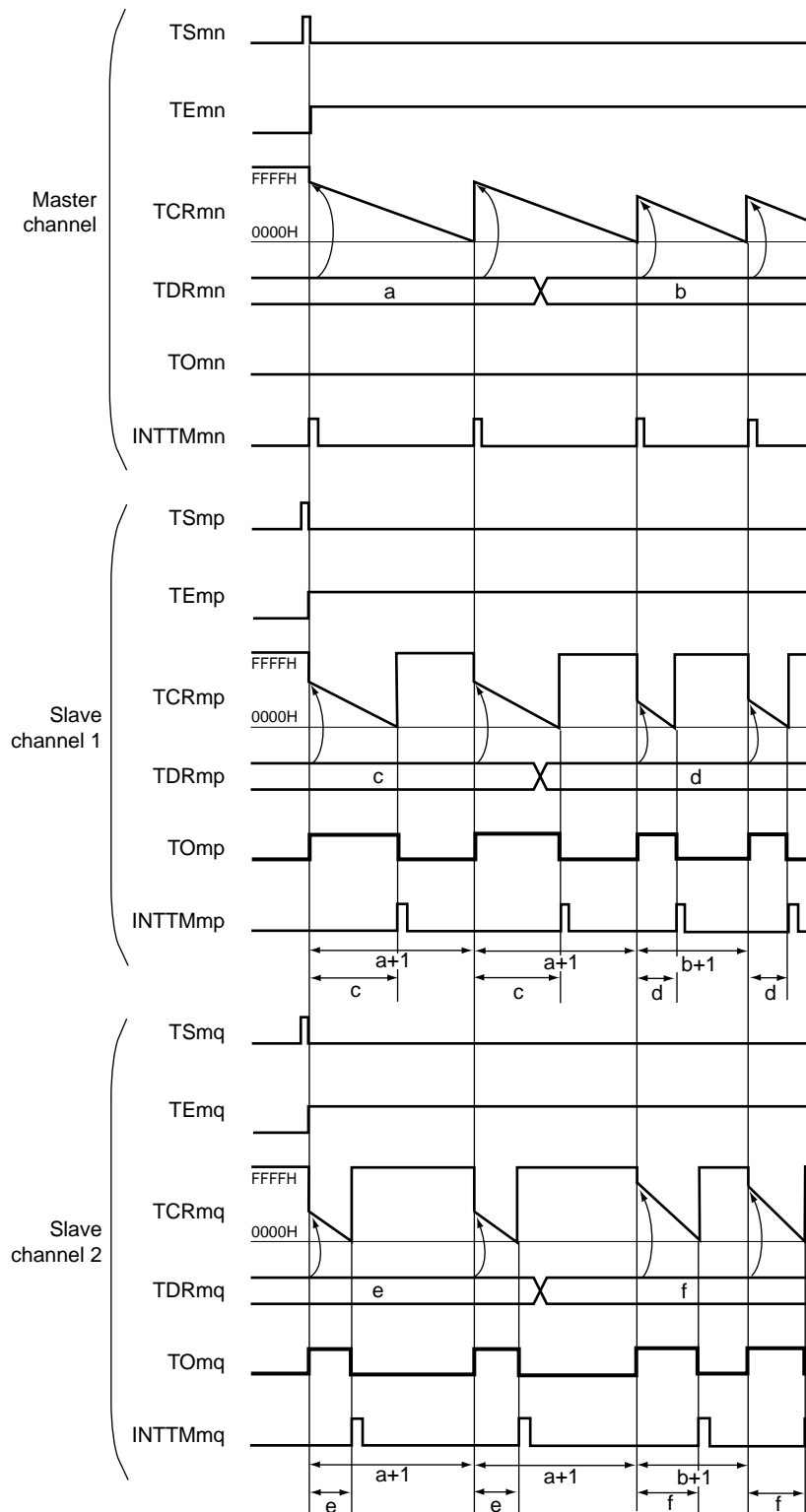
Remark m: Unit number (m = 0), n: Channel number (n = 0, 2, 4)
p: Slave channel number, q: Slave channel number
n < p < q ≤ 7 (Where p and q are integers greater than n)

Figure 8-75. Block Diagram of Operation as Multiple PWM Output Function (Output Two Types of PWMs)



Remark m: Unit number (m = 0), n: Channel number (n = 0, 2, 4)
 p: Slave channel number, q: Slave channel number
 $n < p < q \leq 7$ (Where p and q are integers greater than n)

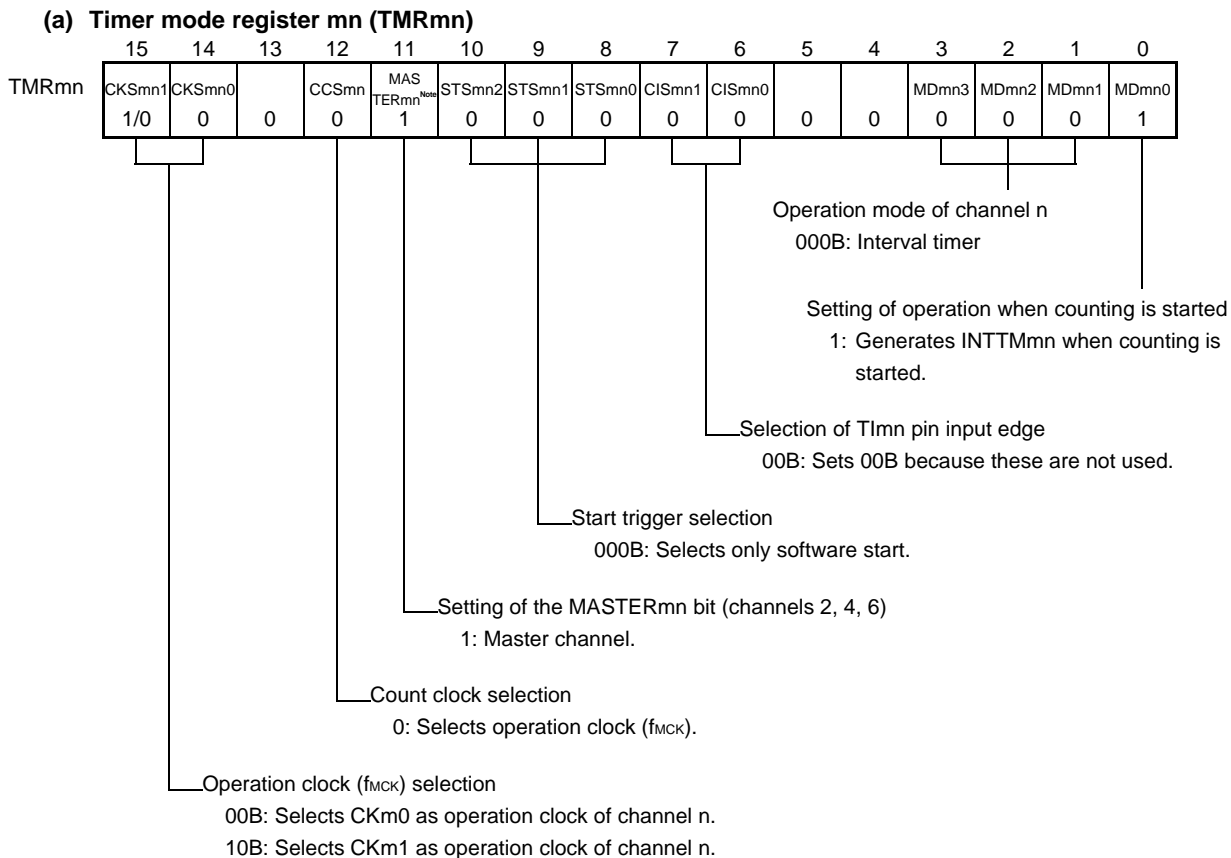
Figure 8-76. Example of Basic Timing of Operation as Multiple PWM Output Function (Output Two Types of PWMs)



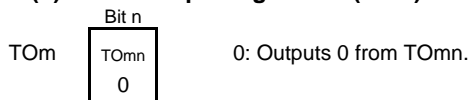
(Remark is listed on the next page.)

- Remarks**
1. m: Unit number (m = 0), n: Channel number (n = 0, 2, 4)
p: Slave channel number, q: Slave channel number
n < p < q ≤ 7 (Where p and q are integers greater than n)
 2. TS_{mn}, TS_{mp}, TS_{mq}: Bit n, p, q of timer channel start register m (TSM)
TE_{mn}, TE_{mp}, TE_{mq}: Bit n, p, q of timer channel enable status register m (TEM)
TCR_{mn}, TCR_{mp}, TCR_{mq}: Timer count registers mn, mp, mq (TCR_{mn}, TCR_{mp}, TCR_{mq})
TDR_{mn}, TDR_{mp}, TDR_{mq}: Timer data registers mn, mp, mq (TDR_{mn}, TDR_{mp}, TDR_{mq})
TOM_n, TOM_p, TOM_q: TOM_n, TOM_p, and TOM_q pins output signal

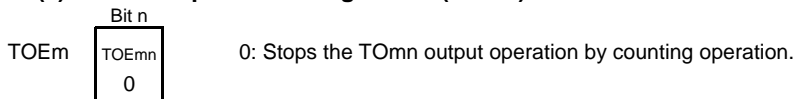
**Figure 8-77. Example of Set Contents of Registers
When Multiple PWM Output Function (Master Channel) Is Used**



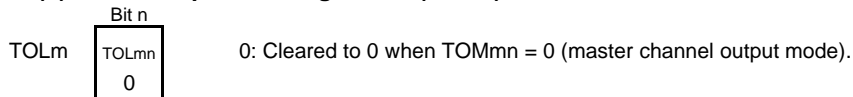
(b) Timer output register m (TOM)



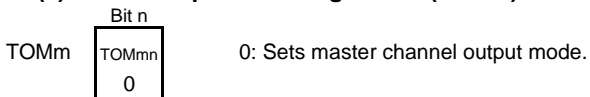
(c) Timer output enable register m (TOEm)



(d) Timer output level register m (TOLm)



(e) Timer output mode register m (TOMm)

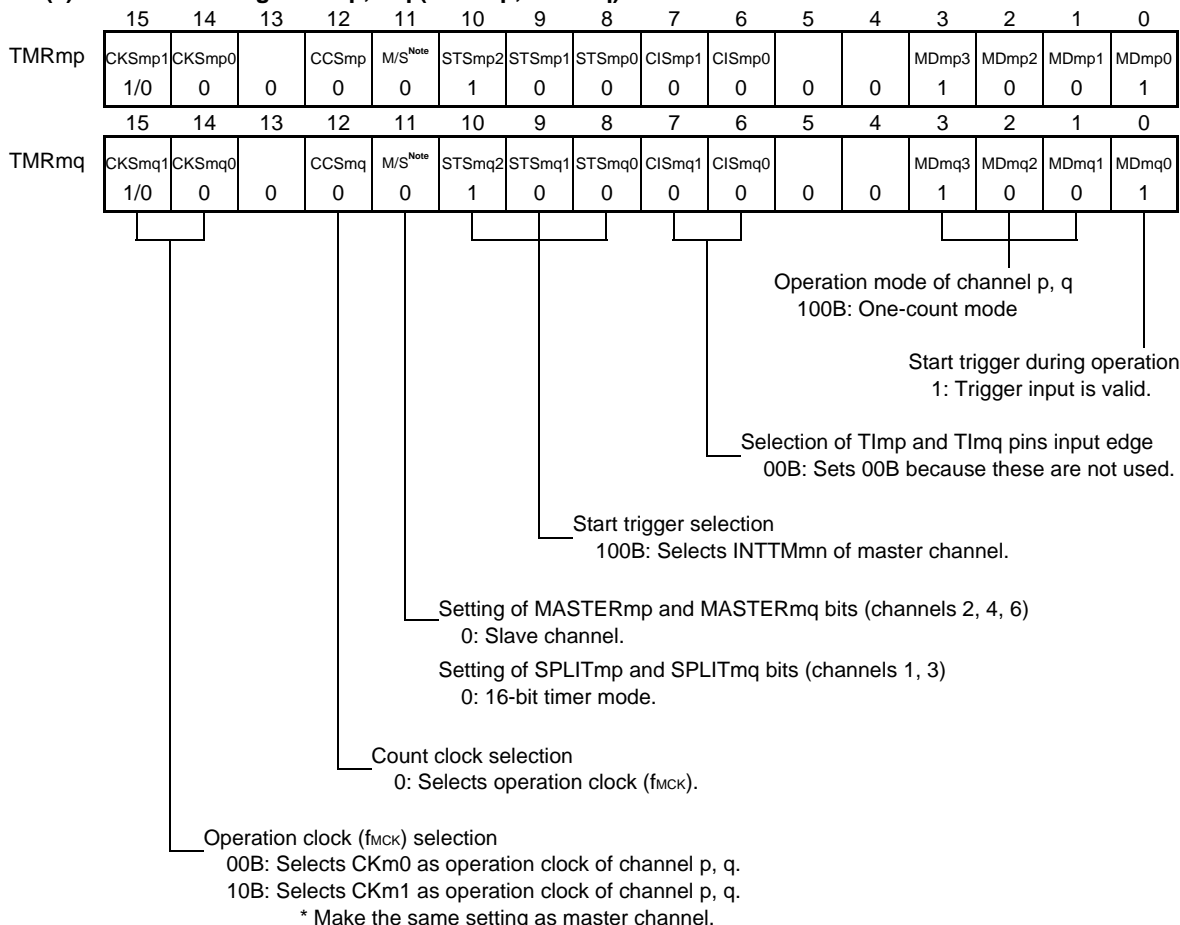


Note TMRm2, TMRm4, TMRm6: MASTERmn = 1
 TMRm0: Fixed to 0

Remark m: Unit number (m = 0), n: Channel number (n = 0, 2, 4)

Figure 8-78. Example of Set Contents of Registers
When Multiple PWM Output Function (Slave Channel) Is Used (Output Two Types of PWMs)

(a) Timer mode register mp, mq (TMRmp, TMRmq)



(b) Timer output register m (TOM)

	Bit q	Bit p	
TOM	TOMq	TOMp	0: Outputs 0 from TOMp or TOMq. 1: Outputs 1 from TOMp or TOMq.
	1/0	1/0	

(c) Timer output enable register m (TOEm)

	Bit q	Bit p	
TOEm	TOEmq	TOEmp	0: Stops the TOMp or TOMq output operation by counting operation. 1: Enables the TOMp or TOMq output operation by counting operation.
	1/0	1/0	

(d) Timer output level register m (TOLm)

	Bit q	Bit p	
TOLm	TOLmq	TOLmp	0: Positive logic output (active-high) 1: Negative logic output (active-low)
	1/0	1/0	

(e) Timer output mode register m (TOMm)

	Bit q	Bit p	
TOMm	TOMmq	TOMmp	1: Sets the slave channel output mode.
	1	1	

Note TMRm2, TMRm4, TMRm6: MASTERmp, MASTERmq bit
 TMRm1, TMRm3: SPLITmp, SPLITmq bit
 TMRm5, TMRm7: Fixed to 0

Remark m: Unit number (m = 0), n: Channel number (n = 0, 2, 4)
 p: Slave channel number, q: Slave channel number
 n < p < q ≤ 7 (Where p and q are integers greater than n)

Figure 8-79. Operation Procedure When Multiple PWM Output Function Is Used (1/2)

	Software Operation	Hardware Status
TAU default setting		Stops supply of timer array unit m input clock. (Clock supply is stopped and writing to each register is disabled.)
	Sets the TAUmEN bit of peripheral enable register 0 (PER0) to 1. →	Supplies timer array unit m input clock. Each channel stops operating. (Clock supply is started and writing to each register is enabled.)
	Sets timer clock select register m (TPSm). Determines clock frequencies of CKm0 and CKm1.	
Channel default setting	Sets timer mode registers mn, mp, mq (TMRmn, TMRmp, TMRmq) of each channel to be used (determines operation mode of channels). An interval (period) value is set to timer data register mn (TDRmn) of the master channel, and a duty factor is set to the TDRmp and TDRmq registers of the slave channels.	Channel stops operating. (Clock is supplied and some power is consumed.)
	Sets slave channels. The TOMmp and TOMmq bits of timer output mode register m (TOMm) are set to 1 (slave channel output mode). Sets the TOLmp and TOLmq bits. Sets the TOmp and TOMq bits and determines default level of the TOmp and TOMq outputs. →	The TOmp and TOMq pins go into Hi-Z output state. The TOmp and TOMq default setting levels are output when the port mode register is in output mode and the port register is 0.
	Sets the TOEmp and TOEmq bits to 1 and enables operation of TOmp and TOMq. →	TOmp and TOMq do not change because channels stop operating.
	Clears the port register and port mode register to 0. →	The TOmp and TOMq pins output the TOmp and TOMq set levels.

(Remark is listed on the next page.)

Figure 8-79. Operation Procedure When Multiple PWM Output Function Is Used (2/2)

	Software Operation	Hardware Status
Operation is resumed.	<p>Operation start</p> <p>(Sets the TOEmp and TOEmq (slave) bits to 1 only when resuming operation.) The TSmn bit (master), and TSmp and TSmq (slave) bits of timer channel start register m (TSM) are set to 1 at the same time. The TSmn, TSmp, and TSmq bits automatically return to 0 because they are trigger bits.</p>	<p>TEmn = 1, TEmq = 1</p> <p>When the master channel starts counting, INTTMmn is generated. Triggered by this interrupt, the slave channel also starts counting.</p>
	<p>During operation</p> <p>Set values of the TMRmn, TMRmp, TMRmq registers, TOMmn, TOMmp, TOMmq, TOLmn, TOLmp, and TOLmq bits cannot be changed. Set values of the TDRmn, TDRmp, and TDRmq registers can be changed after INTTMmn of the master channel is generated. The TCRmn, TCRmp, and TCRmq registers can always be read. The TSRmn, TSRmp, and TSR0q registers are not used.</p>	<p>The counter of the master channel loads the TDRmn register value to timer count register mn (TCRmn) and counts down. When the count value reaches TCRmn = 0000H, INTTMmn output is generated. At the same time, the value of the TDRmn register is loaded to the TCRmn register, and the counter starts counting down again. At the slave channel 1, the values of the TDRmp register are transferred to the TCRmp register, triggered by INTTMmn of the master channel, and the counter starts counting down. The output levels of TOmp become active one count clock after generation of the INTTMmn output from the master channel. It becomes inactive when TCRmp = 0000H, and the counting operation is stopped. At the slave channel 2, the values of the TDRmq register are transferred to TCRmq register, triggered by INTTMmn of the master channel, and the counter starts counting down. The output levels of TOMq become active one count clock after generation of the INTTMmn output from the master channel. It becomes inactive when TCRmq = 0000H, and the counting operation is stopped. After that, the above operation is repeated.</p>
	<p>Operation stop</p> <p>The TTmn bit (master), TTmp, and TTmq (slave) bits are set to 1 at the same time. The TTmn, TTmp, and TTmq bits automatically return to 0 because they are trigger bits.</p>	<p>TEmn, TEmq = 0, and count operation stops. The TCRmn, TCRmp, and TCRmq registers hold count value and stop. The TOmp and TOMq output are not initialized but hold current status.</p>
	<p>The TOEmp and TOEmq bits of slave channels are cleared to 0 and value is set to the TOmp and TOMq bits.</p>	<p>The TOmp and TOMq pins output the TOmp and TOMq set levels.</p>
TAU stop	<p>To hold the TOmp and TOMq pin output levels Clears the TOmp and TOMq bits to 0 after the value to be held is set to the port register. When holding the TOmp and TOMq pin output levels are not necessary Setting not required</p>	<p>The TOmp and TOMq pin output levels are held by port function.</p>
	<p>The TAUmEN bit of the PER0 register is cleared to 0.</p>	<p>Power-off status All circuits are initialized and SFR of each channel is also initialized. (The TOmp and TOMq bits are cleared to 0 and the TOmp and TOMq pins are set to port mode.)</p>

Remark m: Unit number (m = 0), n: Channel number (n = 0, 2, 4)
 p: Slave channel number, q: Slave channel number
 n < p < q ≤ 7 (Where p and q are a consecutive integer greater than n)

8.10 Cautions When Using Timer Array Unit

8.10.1 Cautions when using timer output

Depends on products, a pin is assigned a timer output and other alternate functions. In this case, outputs of the other alternate functions must be set in initial status.

For details, see **4.5 Register Settings When Using Alternate Function**.

(a) Using TO02 to TO07 outputs (80-pin products only)

In addition to clearing the port mode register (the PMxx bit) and the port register (the Pxx bit) to 0, be sure to clear the corresponding bit of LCD port function register 4 (PFSEG37 to PFSEG32) to "0".

(b) Using TO01, TO06 and TO07 outputs (64-pin products only)

In addition to clearing the port mode register (the PMxx bit) and the port register (the Pxx bit) to 0, be sure to clear the corresponding bit of LCD port function register 2 (PFSEG18) and LCD port function register 3 (PFSEG24 to PFSEG25) to "0".

(c) Using TO00 and TO01 outputs assigned to the P43 and P41

So that the alternated PCLBUZ1 and PCLBUZ0 outputs become 0, not only set the port mode register (the PM43 and PM41 bits) and the port register (the P43 and P41 bits) to 0, but also use the bit 7 of the clock output select register n (CKSn) with the same setting as the initial status.

(d) Using TO02 to TO07 outputs assigned to the P07 to P02

So that the alternated P07/SO00/TxD0, P06/SDA00, P05/SCK00/SCL00, P04/TxD1, P03/SDA10 and P02/SCL10 outputs become 1, not only set the port mode register (the PM07 to PM02 bits) and the port register (the P07 to P02 bits) to 0, but also use the serial channel enable status register 0 (SE0), serial output register 0 (SO0), and serial output enable register 0 (SOE0) with the same setting as the initial status.

(e) Using TO06 outputs assigned to the P31

So that the alternated P06/TxD2/IrTxD outputs become 1, not only set the port mode register (the PM06 bit) and the port register (the P06 bit) to 0, but also use the serial channel enable status register 0 (SE0), serial output register 0 (SO0), and serial output enable register 0 (SOE0) with the same setting as the initial status.

CHAPTER 9 Realtime Clock with Independent Power Supply

9.1 Overview

The RTC has two types of counting modes: calendar count mode and binary count mode. They are used by switching the register settings.

For calendar count mode, the RTC has a 100 year calendar from 2000 to 2099 and automatically adjusts dates for leap years.

For binary count mode, the RTC does not count in terms of years, months, dates, day-of-week, hours, or minutes; it counts seconds, and retains the information as a serial value. This mode can be used for calendars other than the Gregorian calendar.

The RTC uses the 128-Hz clock which is acquired by the count source divided by the prescaler as the basic clock. Year, month, date, day-of-week, a.m./p.m. (in 12-hour mode), hour, minute, second, or 32-bit binary is counted in 1/128 second units.

Table 9 - 1 lists the specifications of the RTC, shows a block diagram of the RTC, and Table 9 - 2 shows the pin configuration of the RTC.

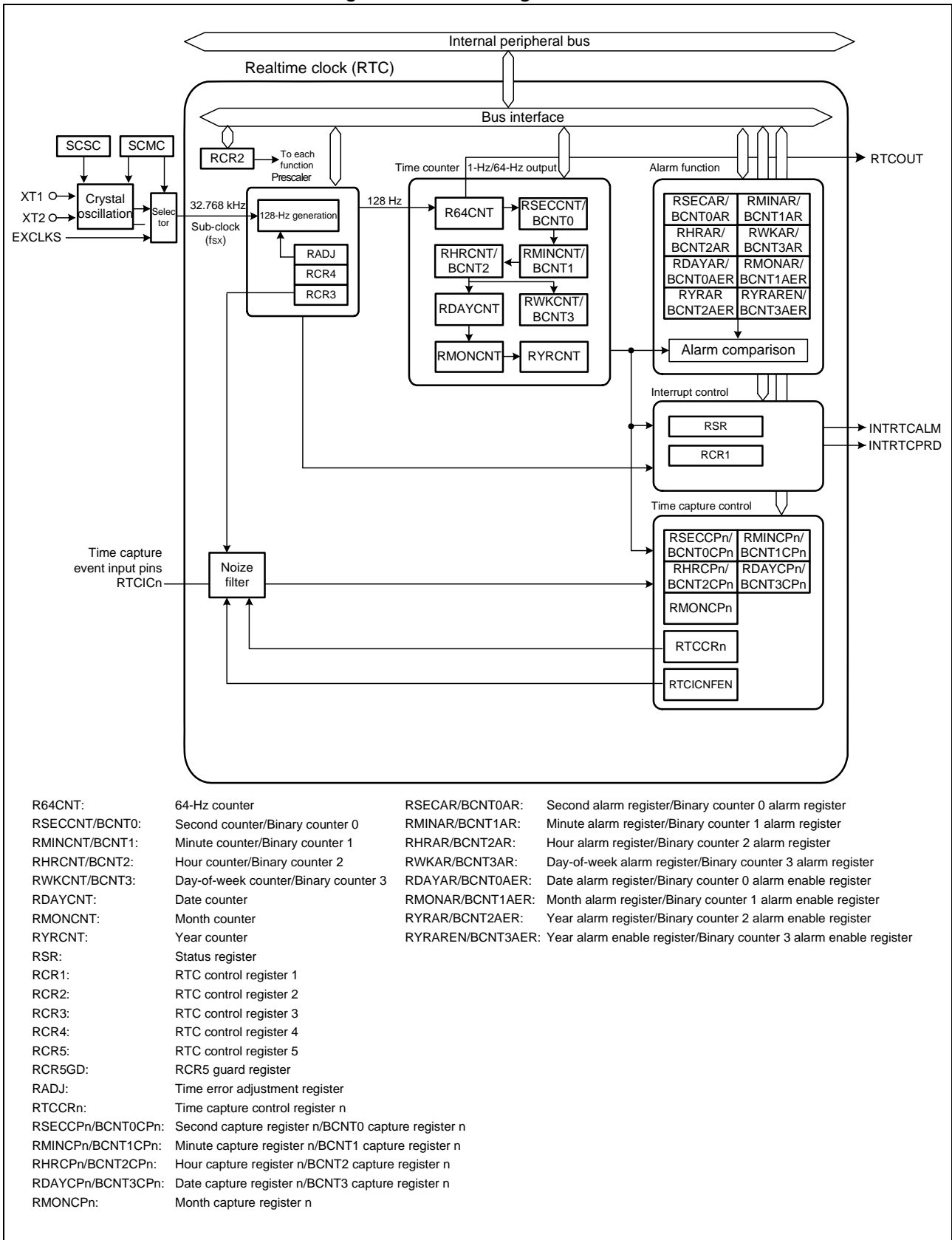
Table 9 - 1 RTC Specifications

Item	Description
Count mode	Calendar count mode/binary count mode
Count source	Sub-clock (fsx)
Clock and calendar functions	<ul style="list-style-type: none"> Calendar count mode <ul style="list-style-type: none"> Year, month, date, day-of-week, hour, minute, second are counted, BCD display 12 hours/24 hours mode switching function 30 seconds adjustment function (a number less than 30 is rounded down to 00 seconds, and 30 seconds or more are rounded up to one minute) Automatic adjustment function for leap years Binary count mode <ul style="list-style-type: none"> Count seconds in 32 bits, binary display Common to both modes <ul style="list-style-type: none"> Start/stop function The sub-second digit is displayed in binary units (1 Hz, 2 Hz, 4 Hz, 8 Hz, 16 Hz, 32 Hz, or 64 Hz). Clock error correction function Clock (1-Hz/64-Hz) output
Interrupts	<ul style="list-style-type: none"> Alarm interrupt (ALM) <ul style="list-style-type: none"> As an alarm interrupt condition, selectable which of the below is compared with: <ul style="list-style-type: none"> Calendar count mode: Year, month, date, day-of-week, hour, minute, or second can be selected Binary count mode: Each bit of the 32-bit binary counter Periodic interrupt (PRD) <ul style="list-style-type: none"> 2 seconds, 1 second, 1/2 second, 1/4 second, 1/8 second, 1/16 second, 1/32 second, 1/64 second, or 1/256 second can be selected as an interrupt period. Recovery from standby mode can be performed by an alarm interrupt or periodic interrupt
Time capture function	<ul style="list-style-type: none"> Times can be captured when the edge of the time capture event input pin is detected. For every event input, month, date, hour, minute, and second are captured or 32-bit binary counter value is captured.
Event link function	Periodic event output

<R>

<R>

Figure 9 - 1 Block Diagram of RTC



- | | | | |
|-------------------|--|-------------------|---|
| R64CNT: | 64-Hz counter | RSECAR/BCNT0AR: | Second alarm register/Binary counter 0 alarm register |
| RSECCNT/BCNT0: | Second counter/Binary counter 0 | RMINAR/BCNT1AR: | Minute alarm register/Binary counter 1 alarm register |
| RMINCNT/BCNT1: | Minute counter/Binary counter 1 | RHRAR/BCNT2AR: | Hour alarm register/Binary counter 2 alarm register |
| RHRCNT/BCNT2: | Hour counter/Binary counter 2 | RWKAR/BCNT3AR: | Day-of-week alarm register/Binary counter 3 alarm register |
| RWKCNT/BCNT3: | Day-of-week counter/Binary counter 3 | RDAYAR/BCNT0AER: | Date alarm register/Binary counter 0 alarm enable register |
| RDAYCNT: | Date counter | RMONAR/BCNT1AER: | Month alarm register/Binary counter 1 alarm enable register |
| RMONCNT: | Month counter | RYRAR/BCNT2AER: | Year alarm register/Binary counter 2 alarm enable register |
| RYRCNT: | Year counter | RYRAREN/BCNT3AER: | Year alarm enable register/Binary counter 3 alarm enable register |
| RSR: | Status register | | |
| RCR1: | RTC control register 1 | | |
| RCR2: | RTC control register 2 | | |
| RCR3: | RTC control register 3 | | |
| RCR4: | RTC control register 4 | | |
| RCR5: | RTC control register 5 | | |
| RCR5GD: | RCR5 guard register | | |
| RADJ: | Time error adjustment register | | |
| RTCCRn: | Time capture control register n | | |
| RSECCPn/BCNT0CPn: | Second capture register n/BCNT0 capture register n | | |
| RMINCPn/BCNT1CPn: | Minute capture register n/BCNT1 capture register n | | |
| RHRCPn/BCNT2CPn: | Hour capture register n/BCNT2 capture register n | | |
| RDAYCPn/BCNT3CPn: | Date capture register n/BCNT3 capture register n | | |
| RMONCPn: | Month capture register n | | |

Remark n = 0 to 2

Table 9 - 2 Pin Configuration of RTC

Pin Name	I/O	Function
XT1	Input	Connecting a 32.768-kHz crystal vibrator.
XT2	Input	
EXCLKS	Input	Connecting a 32.768-kHz external clock input.
RTCOUT	Output	1 or 64-Hz waveform output pin.
RTCIC0	Input	Time capture event input pins
RTCIC1	Input	
RTCIC2	Input	

9.2 Register Descriptions

When writing to or reading from RTC registers, do so in accordance with section 9.6.5, Notes when writing to and reading from registers.

If the value in an RTC register after a reset is given as undefined in the list, it is not initialized by a reset. When RTC enters the reset state or a low power consumption state during counting operations (i.e. while the RCR2.START bit is 1), the year, month, day of the week, date, hours, minutes, seconds, and 64-Hz counters continue to operate. Note that a reset generated during writing to or updating of a register might destroy the register value. In addition, do not allow the chip to enter STOP mode immediately after setting any of these registers. For details, refer to section 9.6.4, Transitions to low power consumption modes after setting registers.

9.2.1 Peripheral enable register 2 (PER2)

This register is used to enable or disable supplying the clock to the peripheral hardware. Clock supply to the hardware that is not used is also stopped so as to decrease the power consumption and noise.

To manipulate of the registers of the independent power supply real-time clock, set (1) the bit 0 (VRTCEN). Other than time when read/write accessing, clear (0) the bit 0 (VRTCEN).

The PER2 register can be set by a 1-bit or an 8-bit memory manipulation instruction.

Reset signal generation clears this register to 00H.

Figure 9 - 2 Format of Peripheral enable register 2 (PER2)

Address: F00FDH After reset: 00H R/W

Symbol	<7>	<6>	5	4	3	<2>	1	<0>
PER2	TMKAEN	OSDCEN	0	0	0	MACEN	0	VRTCEN

VRTCEN	Control of independent power supply RTC input clock supply
0	Stops input clock supply. • SFR used by the independent power supply RTC cannot be written. The read value is 00H. The sub clock (f_{SX}) clock can drive counting by the independent power supply RTC.
1	Enables input clock supply. • SFR used by the independent power supply RTC can be read and written.

Note 1. If the battery back-up function isn't used, leak current may be generated via the VRTC pin when the VDD pin power supply voltage is less than 1.9 V. Therefore, set the VRTCEN bit to 0 except during reading or writing of the SFRs of the independent power supply RTC.

Note 2. If the battery back-up function is used, leak current may be generated via the VRTC pin when the VBAT pin power supply voltage is less than 1.9 V. Therefore, set the VRTCEN bit to 0 except during reading or writing of the SFRs of the independent power supply RTC.

Note 3. When the power of the VRTC pin is not supplied, set the VRTCEN bit to 0.

Caution Be sure to clear the following bits to 0.
Bits 1 and 3 to 5

9.2.2 64-Hz counter (R64CNT)

The R64CNT counter is used in both calendar count mode and in binary count mode.
 The 64-Hz counter (R64CNT) generates the period for a second by counting up periods of the 128-Hz clock.
 The state in the sub-second range can be confirmed by reading this counter.
 This counter is set to 00h by an RTC software reset or executing 30-second adjustment.
 To read this counter, follow the procedure in section 9.3.6, Reading 64-Hz counter and time.

Figure 9 - 3 Format of 64-Hz Counter (R64CNT)

Address: F0581H After reset: Undefined R

Symbol 7 6 5 4 3 2 1 0

R64CNT	0	F1HZ	F2HZ	F4HZ	F8HZ	F16HZ	F32HZ	F64HZ
	F1HZ	1 Hz						
	Indicate the state for 1 Hz of the sub-second digit.							
	F2HZ	2 Hz						
	Indicate the state for 2 Hz of the sub-second digit.							
	F4HZ	4 Hz						
	Indicate the state for 4 Hz of the sub-second digit.							
	F8HZ	8 Hz						
	Indicate the state for 8 Hz of the sub-second digit.							
	F16HZ	16 Hz						
	Indicate the state for 16 Hz of the sub-second digit.							
	F32HZ	32 Hz						
	Indicate the state for 32 Hz of the sub-second digit.							
	F64HZ	64 Hz						
	Indicate the state for 64 Hz of the sub-second digit.							

9.2.3 Second counter (RSECCNT)/binary counter 0 (BCNT0)

(1) In calendar count mode:

The RSECCNT counter is used for setting and counting the BCD-coded second value. It counts carries generated once per second in the 64-Hz counter.

The setting range is decimal 00 to 59. The RTC will not operate normally if any other value is set. Before writing to this register, be sure to stop the count operation through the setting of the START bit in RCR2.

To read this counter, follow the procedure in section 9.3.6, Reading 64-Hz counter and time.

Figure 9 - 4 Format of Second Counter (RSECCNT)

Address: F0583H After reset: Undefined R/W

Symbol	7	6	5	4	3	2	1	0
RSECCNT	0	SEC10			SEC1			
	SEC10		10-Second Count					
	Counts from 0 to 5 for 60-second counting.							
	SEC1		1-Second Count					
	Counts from 0 to 9 every second. When a carry is generated, 1 is added to the tens place.							

(2) In binary count mode:

The BCNT0 counter is a readable/writable 32-bit binary counter b7 to b0.

The 32-bit binary counter performs count operation by a carry generating for each second of the 64-Hz counter.

Before writing to this register, be sure to stop the count operation through the setting of the START bit in RCR2.

To read this counter, follow the procedure in section 9.3.6, Reading 64-Hz counter and time.

Figure 9 - 5 Format of Binary Counter 0 (BCNT0)

Address: F0583H After reset: Undefined

Symbol	7	6	5	4	3	2	1	0
BCNT0	BCNT[7:0]							

9.2.4 Minute counter (RMINCNT)/binary counter 1 (BCNT1)

(1) In calendar count mode:

The RMINCNT counter is used for setting and counting the BCD-coded minute value. It counts carries generated once per minute in the second counter.

A value from 00 through 59 (in BCD) can be specified; if a value outside of this range is specified, the RTC does not operate correctly. Before writing to this register, be sure to stop the count operation through the setting of the START bit in RCR2.

To read this counter, follow the procedure in section 9.3.6, Reading 64-Hz counter and time.

Figure 9 - 6 Format of Minute Counter (RMINCNT)

Address: F0585H After reset: Undefined R/W

Symbol	7	6	5	4	3	2	1	0
RMINCNT	0	MIN10			MIN1			
MIN10	10-Minute Count							
Counts from 0 to 5 for 60-minute counting.								
MIN1	1-Minute Count							
Counts from 0 to 9 every minute. When a carry is generated, 1 is added to the tens place.								

(2) In binary count mode:

The BCNT1 counter is a readable/writable 32-bit binary counter b15 to b8.

The 32-bit binary counter performs count operation by a carry generating for each second of the 64-Hz counter.

Before writing to this register, be sure to stop the count operation through the setting of the START bit in RCR2.

To read this counter, follow the procedure in section 9.3.6, Reading 64-Hz counter and time.

Figure 9 - 7 Format of Binary Counter 1 (BCNT1)

Address: F0585H After reset: Undefined

Symbol	7	6	5	4	3	2	1	0
BCNT1	BCNT[15:8]							

9.2.5 Hour counter (RHRCNT)/binary counter 2 (BCNT2)

(1) In calendar count mode:

The RHRCNT counter is used for setting and counting the BCD-coded hour value. It counts carries generated once per hour in the minute counter.

The specifiable time differs according to the setting in the hours mode bit (RCR2.HR24).

When the RCR2.HR24 bit is 0: From 00 to 11 (in BCD)

When the RCR2.HR24 bit is 1: From 00 to 23 (in BCD)

If a value outside of this range is specified, the RTC does not operate correctly. Before writing to this register, be sure to stop the count operation through the setting of the START bit in RCR2.

The PM bit is only enabled when the RCR2.HR24 bit is 0. Otherwise, the setting in the PM bit has no effect.

To read this counter, follow the procedure in section 9.3.6, Reading 64-Hz counter and time.

Figure 9 - 8 Format of Hour Counter (RHRCNT)

Address: F0587H After reset: Undefined R/W

Symbol 7 6 5 4 3 2 1 0

RHRCNT	0	PM	HR10	HR1
	PM	PM		
	0	a.m.		
	1	p.m.		
Time Counter Setting for a.m./p.m.				
	HR10	10-Hour Count		
Counts from 0 to 2 once per carry from the ones place.				
	HR1	1-Hour Count		
Counts from 0 to 9 once per hour. When a carry is generated, 1 is added to the tens place.				

(2) In binary count mode:

The BCNT2 counter is a readable/writable 32-bit binary counter b23 to b16.

The 32-bit binary counter performs count operation by a carry generating for each second of the 64-Hz counter.

Before writing to this register, be sure to stop the count operation through the setting of the START bit in RCR2.

To read this counter, follow the procedure in section 9.3.6, Reading 64-Hz counter and time.

Figure 9 - 9 Format of Binary Counter 2 (BCNT2)

Address: F0587H After reset: Undefined

Symbol 7 6 5 4 3 2 1 0

BCNT2	BCNT[23:16]							
-------	-------------	--	--	--	--	--	--	--

9.2.6 Day-of-week counter (RWKCNT)/binary counter 3 (BCNT3)

(1) In calendar count mode:

The RWKCNT counter is used for setting and counting in the coded day-of-week value. It counts carries generated once per day in the hour counter.

A value from 0 through 6 can be specified; if a value outside of this range is specified, the RTC does not operate correctly. Before writing to this register, be sure to stop the count operation through the setting of the START bit in RCR2.

To read this counter, follow the procedure in section 9.3.6, Reading 64-Hz counter and time.

Figure 9 - 10 Format of Day-of-Week Counter (RWKCNT)

Address: F0589H After reset: Undefined R/W

Symbol	7	6	5	4	3	2	1	0
RWKCNT	0	0	0	0	0	DAYW		

DAYW2	DAYW1	DAYW0	Day-of-Week Counting
0	0	0	Sunday
0	0	1	Monday
0	1	0	Tuesday
0	1	1	Wednesday
1	0	0	Thursday
1	0	1	Friday
1	1	0	Saturday
1	1	1	Setting Prohibited

(2) In binary count mode:

The BCNT3 counter is a readable/writable 32-bit binary counter b31 to b24.

The 32-bit binary counter performs count operation by a carry generating for each second of the 64-Hz counter.

Before writing to this register, be sure to stop the count operation through the setting of the START bit in RCR2.

To read this counter, follow the procedure in section 9.3.6, Reading 64-Hz counter and time.

Figure 9 - 11 Format of Binary Counter 3 (BCNT3)

Address: F0589H After reset: Undefined

Symbol	7	6	5	4	3	2	1	0
BCNT3	BCNT[31:24]							

9.2.7 Date counter (RDAYCNT)

The RDAYCNT counter is used in calendar count mode.

RDAYCNT is used for setting and counting the BCD-coded date value. It counts carries generated once per day in the hour counter. The count operation depends on the month and whether the year is a leap year.

Leap years are determined according to whether the year counter (RYRCNT) value is divisible by 400, 100, and 4.

A value from 01 through 31 (in BCD) can be specified; if a value outside of this range is specified, the RTC does not operate correctly. (When specifying a value, note that the range of specifiable days depends on the month and whether the year is a leap year.) Before writing to this register, be sure to stop the count operation through the setting of the START bit in RCR2.

To read this counter, follow the procedure in section 9.3.6, Reading 64-Hz counter and time.

Figure 9 - 12 Format of Date Counter (RDAYCNT)

Address: F058BH After reset: Undefined R/W

Symbol	7	6	5	4	3	2	1	0
RDAYCNT	0	0	DATE10		DATE1			
	DATE10		10-Day Count					
	Counts from 0 to 3 once per carry from the ones place.							
	DATE1		1-Day Count					
	Counts from 0 to 9 once per day. When a carry is generated, 1 is added to the tens place.							

9.2.8 Month counter (RMONCNT)

The RMONCNT counter is used in calendar count mode.

RMONCNT is used for setting and counting the BCD-coded month value. It counts carries generated once per month in the date counter.

A value from 01 through 12 (in BCD) can be specified; if a value outside of this range is specified, the RTC does not operate correctly. Before writing to this register, be sure to stop the count operation through the setting of the START bit in RCR2.

To read this counter, follow the procedure in section 9.3.6, Reading 64-Hz counter and time.

Figure 9 - 13 Format of Month Counter (RMONCNT)

Address: F058DH After reset: Undefined R/W

Symbol	7	6	5	4	3	2	1	0
RMONCNT	0	0	0	MON10	MON1			
MON10	10-Month Count							
Counts from 0 to 1 once per carry from the ones place.								
MON1	1-Month Count							
Counts from 0 to 9 once per month. When a carry is generated, 1 is added to the tens place.								

9.2.9 Year counter (RYRCNT)

The RYRCNT counter is used in calendar count mode.

RYRCNT is used for setting and counting the BCD-coded year value. It counts carries generated once per year in the month counter.

A value from 00 through 99 (in BCD) can be specified; if a value outside of this range is specified, the RTC does not operate correctly. Before writing to this register, be sure to stop the count operation through the setting of the START bit in RCR2.

To read this counter, follow the procedure in section 9.3.6, Reading 64-Hz counter and time.

RYRCNT can only be accessed with a 16-bit memory manipulation instruction.

Figure 9 - 14 Format of Year Counter (RYRCNT)

Address: F058EH After reset: Undefined R/W

Symbol	15	14	13	12	11	10	9	8	7	6	5	4	3	2	1	0
RYRCNT	0	0	0	0	0	0	0	0	YR10			YR1				
YR10	10-Year Count															
Counts from 0 to 9 once per carry from ones place.																
YR1	1-Year Count															
Counts from 0 to 9 once per year. When a carry is generated, 1 is added to the tens place.																

9.2.10 Second alarm register (RSECAR)/binary counter 0 alarm register (BCNT0AR)

(1) In calendar count mode:

RSECAR is an alarm register corresponding to the BCD-coded second counter RSECCNT. When the ENB bit is set to 1, the RSECAR value is compared with the RSECCNT value. From among the alarm registers (RSECAR, RMINAR, RHRAR, RWKAR, RDAYAR, RMONAR, and RYRAREN), only those selected with the ENB bits set to 1 are compared with the corresponding counters. When the respective values all match, the alarm flag (AF) of the RTC status register (RSR) is set to 1.

RSECAR values from 00 through 59 (in BCD) can be specified; if a value outside of this range is specified, the RTC does not operate correctly.

This register is set to 00h by an RTC software reset.

Figure 9 - 15 Format of Second Alarm Register (RSECAR)

Address: F0591H After reset: Undefined R/W

Symbol	7	6	5	4	3	2	1	0
RSECAR	ENB	SEC10			SEC1			
	ENB	ENB						
	0	The register value is not compared with the RSECCNT counter value.						
	1	The register value is compared with the RSECCNT counter value.						
	SEC10	10 Seconds						
	Setting value for the tens place of seconds							
	SEC1	1 Seconds						
	Setting value for the ones place of seconds							

(2) In binary count mode:

The BCNT0AR counter is a readable/writable alarm register corresponding to 32-bit binary counter b7 to b0. This register is set to 00h by an RTC software reset.

Figure 9 - 16 Binary Counter 0 Alarm Register (BCNT0AR)

Address: F0591H After reset: Undefined

Symbol	7	6	5	4	3	2	1	0
BCNT0AR	BCNTAR[7:0]							

9.2.11 Minute alarm register (RMINAR)/binary counter 1 alarm register (BCNT1AR)

(1) In calendar count mode:

RMINAR is an alarm register corresponding to the BCD-coded minute counter RMINCNT. When the ENB bit is set to 1, the RMINAR value is compared with the RMINCNT value. From among the alarm registers (RSECAR, RMINAR, RHRAR, RWKAR, RDAYAR, RMONAR, and RYRAREN), only those selected with the ENB bits set to 1 are compared with the corresponding counters. When the respective values all match, the alarm flag (AF) of the RTC status register (RSR) is set to 1.

RMINAR values from 00 through 59 (in BCD) can be specified; if a value outside of this range is specified, the RTC does not operate correctly.

This register is set to 00h by an RTC software reset.

Figure 9 - 17 Format of Minute Alarm Register (RMINAR)

Address: F0593H After reset: Undefined R/W

Symbol 7 6 5 4 3 2 1 0

RMINAR	ENB	MIN10			MIN1		
	ENB	ENB					
	0	The register value is not compared with the RMINCNT counter value.					
	1	The register value is compared with the RMINCNT counter value.					
	MIN10	10 Minutes					
	Setting value for the tens place of minutes						
	MIN1	1 Minute					
	Setting value for the ones place of minutes						

(2) In binary count mode:

The BCNT1AR counter is a readable/writable alarm register corresponding to 32-bit binary counter b15 to b8.

This register is set to 00h by an RTC software reset.

Figure 9 - 18 Format of Binary Counter 1 Alarm Register (BCNT1AR)

Address: F0593H After reset: Undefined

Symbol 7 6 5 4 3 2 1 0

BCNT1AR	BCNTAR[15:8]						
---------	--------------	--	--	--	--	--	--

9.2.12 Hour alarm register (RHRAR)/binary counter 2 alarm register (BCNT2AR)

(1) In calendar count mode:

RHRAR is an alarm register corresponding to the BCD-coded hour counter RHCNT. When the ENB bit is set to 1, the RHRAR value is compared with the RHCNT value. From among the alarm registers (RSECAR, RMINAR, RHRAR, RWKAR, RDAYAR, RMONAR, and RYRAREN), only those selected with the ENB bits set to 1 are compared with the corresponding counters. When the respective values all match, the alarm flag (AF) of the RTC status register (RSR) is set to 1.

The specifiable time differs according to the setting in the hours mode bit (RCR2.HR24).

When the RCR2.HR24 bit is 0: From 00 to 11 (in BCD)

When the RCR2.HR24 bit is 1: From 00 to 23 (in BCD)

If a value outside of this range is specified, the RTC does not operate correctly.

When the RCR2.HR24 bit is 0, be sure to set the PM bit.

When the RCR2.HR24 bit is 1, the setting in the PM bit has no effect.

This register is set to 00h by an RTC software reset.

Figure 9 - 19 Format of Hour Alarm Register (RHRAR)

Address: F0595H After reset: Undefined R/W

Symbol 7 6 5 4 3 2 1 0

RHRAR	ENB	PM	HR10	HR1
	ENB	ENB		
	0	The register value is not compared with the RHCNT counter value.		
	1	The register value is compared with the RHCNT counter value.		
	PM	PM		
	0	a.m.		
	1	p.m.		
	Time Alarm Setting for a.m. or p.m..			
	HR10	10 Hours		
	Setting value for the tens place of hours			
	HR1	1 Hour		
	Setting value for the ones place of hours			

(2) In binary count mode:

The BCNT2AR counter is a readable/writable alarm register corresponding to 32-bit binary counter b23 to b16.

This register is set to 00h by an RTC software reset.

Figure 9 - 20 Format of Binary Counter 2 Alarm Register (BCNT2AR)

Address: F0595H After reset: Undefined

Symbol 7 6 5 4 3 2 1 0

BCNT2AR	BCNTAR[23:16]							
---------	---------------	--	--	--	--	--	--	--

9.2.13 Day-of-week alarm register (RWKAR)/binary counter 3 alarm register (BCNT3AR)

(1) In calendar count mode:

RWKAR is an alarm register corresponding to the coded day-of-week counter RWKCNT. When the ENB bit is set to 1, the RWKAR value is compared with the RWKCNT value. From among the alarm registers (RSECAR, RMINAR, RHRAR, RWKAR, RDAYAR, RMONAR, and RYRAREN), only those selected with the ENB bits set to 1 are compared with the corresponding counters. When the respective values all match, the alarm flag (AF) of the RTC status register (RSR) is set to 1.

RWKAR values from 0 through 6 (in BCD) can be specified; if a value outside of this range is specified, the RTC does not operate correctly.

This register is set to 00h by an RTC software reset.

Figure 9 - 21 Format of Day-of-Week Alarm Register (RWKAR)

Address: F0597H After reset: Undefined R/W

Symbol 7 6 5 4 3 2 1 0

RWKAR	ENB	0	0	0	0	DAYW		
-------	-----	---	---	---	---	------	--	--

ENB	ENB
0	The register value is not compared with the RWKCNT counter value.
1	The register value is compared with the RWKCNT counter value.

DAYW2	DAYW1	DAYW0	Day-of-Week Counting
0	0	0	Sunday
0	0	1	Monday
0	1	0	Tuesday
0	1	1	Wednesday
1	0	0	Thursday
1	0	1	Friday
1	1	0	Saturday
1	1	1	Setting Prohibited

(2) In binary count mode:

The BCNT3AR counter is a readable/writable alarm register corresponding to 32-bit binary counter b31 to b24.

This register is set to 00h by an RTC software reset.

Figure 9 - 22 Format of Binary Counter 3 Alarm Register (BCNT3AR)

Address: F0597H After reset: Undefined

Symbol 7 6 5 4 3 2 1 0

BCNT3AR	BCNTAR[31:24]							
---------	---------------	--	--	--	--	--	--	--

9.2.14 Date alarm register (RDAYAR)/binary counter 0 alarm enable register (BCNT0AER)

(1) In calendar count mode:

RDAYAR is an alarm register corresponding to the BCD-coded date counter RDAYCNT. When the ENB bit is set to 1, the RDAYAR value is compared with the RDAYCNT value. From among the alarm registers (RSECAR, RMINAR, RHRAR, RWKAR, RDAYAR, RMONAR, and RYRAREN), only those selected with the ENB bits set to 1 are compared with the corresponding counters. When the respective values all match, the alarm flag (AF) of the RTC status register (RSR) is set to 1.

RDAYAR values from 01 through 31 (in BCD) can be specified; if a value outside of this range is specified, the RTC does not operate correctly.

This register is set to 00h by an RTC software reset.

Figure 9 - 23 Format of Date Alarm Register (RDAYAR)

Address: F0599H After reset: Undefined R/W

Symbol	7	6	5	4	3	2	1	0
RDAYAR	ENB	0	DATE10			DATE1		
	ENB	ENB						
	0	The register value is not compared with the RDAYCNT counter value.						
	1	The register value is compared with the RDAYCNT counter value.						
	DATE10	10 Days						
	Setting value for the tens place of days							
	DATE1	1 Days						
	Setting value for the ones place of days							

(2) In binary count mode:

The BCNT0AER register is a readable/writable register for setting the alarm enable corresponding to 32-bit binary counter b7 to b0. Among the ENB[31:0] bits, the binary counter (BCNT[31:0]) corresponding to the bits which are set to 1 and the binary alarm register (BCNTAR[31:0]) are compared, and when all match, the alarm flag (AF) of the RTC status register (RSR) is set to 1.

This register is set to 00h by an RTC software reset.

Figure 9 - 24 Format of Binary Counter 0 Alarm Enable Register (BCNT0AER)

Address: F0599H After reset: Undefined

Symbol	7	6	5	4	3	2	1	0
BCNT0AER	ENB[7:0]							

9.2.15 Month alarm register (RMONAR)/binary counter 1 alarm enable register (BCNT1AER)

(1) In calendar count mode:

RMONAR is an alarm register corresponding to the BCD-coded month counter RMONCNT. When the ENB bit is set to 1, the RMONAR value is compared with the RMONCNT value. From among the alarm registers (RSECAR, RMINAR, RHRAR, RWKAR, RDAYAR, RMONAR, and RYRAREN), only those selected with the ENB bits set to 1 are compared with the corresponding counters. When the respective values all match, the alarm flag (AF) of the RTC status register (RSR) is set to 1.

RMONAR values from 01 through 12 (in BCD) can be specified; if a value outside of this range is specified, the RTC does not operate correctly.

This register is set to 00h by an RTC software reset.

Figure 9 - 25 Format of Month Alarm Register (RMONAR)

Address: F059BH After reset: Undefined R/W

Symbol	7	6	5	4	3	2	1	0
RMONAR	ENB	0	0	MON10	MON1			
ENB		ENB						
0		The register value is not compared with the RMONCNT counter value.						
1		The register value is compared with the RMONCNT counter value.						
MON10		10 Months						
Setting value for the ones place of days								
MON1		1 Month						
Setting value for the ones place of days								

(2) In binary count mode:

The BCNT1AER register is a readable/writable register for setting the alarm enable corresponding to 32-bit binary counter b15 to b8. Among the ENB[31:0] bits, the binary counter (BCNT[31:0]) corresponding to the bits which are set to 1 and the binary alarm register (BCNTAR[31:0]) are compared, and when all match, the alarm flag (AF) of the RTC status register (RSR) is set to 1.

This register is set to 00h by an RTC software reset.

Figure 9 - 26 Binary Counter 1 Alarm Enable Register (BCNT1AER)

Address: F059BH After reset: Undefined

Symbol	7	6	5	4	3	2	1	0
BCNT1AER	ENB[15:8]							

9.2.16 Year alarm register (RYRAR)/binary counter 2 alarm enable register (BCNT2AER)

(1) In calendar count mode:

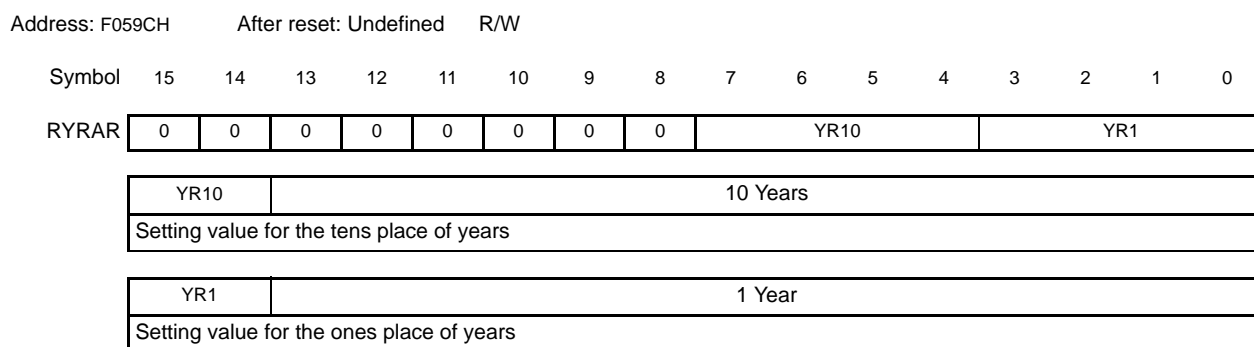
RYRAR is an alarm register corresponding to the BCD-coded year counter RYRCNT. RYRAR values from 00 through 99 (in BCD) can be specified; if a value outside of this range is specified, the RTC does not operate correctly.

This register is set to 0000h by an RTC software reset.

RYRAR can only be accessed with a 16-bit memory manipulation instruction.

<R>

Figure 9 - 27 Format of Year Alarm Register (RYRAR)



(2) In binary count mode:

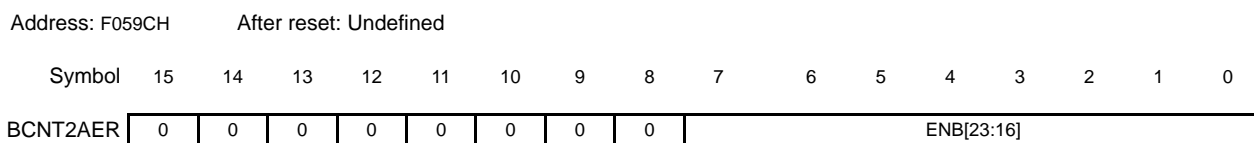
The BCNT2AER register is a readable/writable register for setting the alarm enable corresponding to 32-bit binary counter b23 to b16. Among the ENB[31:0] bits, the binary counter (BCNT[31:0]) corresponding to the bits which are set to 1 and the binary alarm register (BCNTAR[31:0]) are compared, and when all match, the alarm flag (AF) of the RTC status register (RSR) is set to 1.

This register is set to 0000h by an RTC software reset.

BCNT2AER can only be accessed with a 16-bit memory manipulation instruction.

<R>

Figure 9 - 28 Format of Binary Counter 2 Alarm Enable Register (BCNT2AER)



9.2.17 Year alarm enable register (RYRAREN)/binary counter 3 alarm enable register (BCNT3AER)

(1) In calendar count mode:

When the ENB bit in RYRAREN is set to 1, the RYRAR value is compared with the RYRCNT value. From among the alarm registers (RSECAR, RMINAR, RHRAR, RWKAR, RDAYAR, RMONAR, and RYRAREN), only those selected with the ENB bits set to 1 are compared with the corresponding counters. When the respective values all match, the alarm flag (AF) of the RTC status register (RSR) is set to 1.

This register is set to 00h by an RTC software reset.

Figure 9 - 29 Format of Year Alarm Enable Register (RYRAREN)

Address: F059FH After reset: Undefined R/W

Symbol	7	6	5	4	3	2	1	0
RYRAREN	ENB	0	0	0	0	0	0	0
	ENB	ENB						
	0	The register value is not compared with the RYRCNT counter value.						
	1	The register value is compared with the RYRCNT counter value.						

(2) In binary count mode:

The BCNT3AER register is a readable/writable register for setting the alarm enable corresponding to 32-bit binary counter b31 to b24. Among the ENB[31:0] bits, the binary counter (BCNT[31:0]) corresponding to the bits which are set to 1 and the binary alarm register (BCNTAR[31:0]) are compared, and when all match, the alarm flag (AF) of the RTC status register (RSR) is set to 1.

This register is set to 00h by an RTC software reset.

Figure 9 - 30 Format of Binary Counter 3 Alarm Enable Register (BCNT3AER)

Address: F059FH After reset: Undefined

Symbol	7	6	5	4	3	2	1	0
BCNT3AER	ENB[31:24]							

9.2.18 RTC control register 1 (RCR1)

The RCR1 register is used in both calendar count mode and in binary count mode.

Bits AIE, PIE, and PES are updated synchronously with the count source. When the RCR1 register is modified, check that all the bits have been updated before proceeding to the next processing.

Figure 9 - 31 Format of RTC Control Register 1 (RCR1)

Address: F05A3H After reset: Undefined R/W

Symbol	7	6	5	4	3	2	1	0
RCR1	PES			RTCOS		PIE	0	AIE

PES	Periodic Interrupt Select
0110	A periodic interrupt is generated every 1/256 second.
0111	A periodic interrupt is generated every 1/128 second.
1000	A periodic interrupt is generated every 1/64 second.
1001	A periodic interrupt is generated every 1/32 second.
1010	A periodic interrupt is generated every 1/16 second.
1011	A periodic interrupt is generated every 1/8 second.
1100	A periodic interrupt is generated every 1/4 second.
1101	A periodic interrupt is generated every 1/2 second.
1110	A periodic interrupt is generated every 1 second.
1111	A periodic interrupt is generated every 2 seconds.
Other than above	No periodic interrupts are generated.

These bits specify the period for the periodic interrupt. A periodic interrupt is generated with the period specified by these bits.

RTCOS	RTCOUT Output Select
0	RTCOUT outputs 1 Hz.
1	RTCOUT outputs 64 Hz.

This bit selects the RTCOUT output period. The RTCOS bit must be rewritten while count operation is stopped (the RCR2.START bit is 0) and RTCOUT output is disabled (the RCR2.RTCOE bit is 0). When the RTCOUT is output to an external pin, the RCR2.RTCOE bit must be enabled. About I/O ports, refer to **CHAPTER 4 PORT FUNCTIONS**.

PIE	Periodic Interrupt Control
0	A periodic interrupt request is disabled.
1	A periodic interrupt request is enabled.

This bit enables or disabled a periodic interrupt.

AIE	Alarm Interrupt Control
0	An alarm interrupt request is disabled.
1	An alarm interrupt request is enabled.

This bit enables or disables alarm interrupt requests.

Caution Be sure to set the RCKSEL bit to 0.
 This register can only be accessed with an 8-bit memory manipulation instruction.

<R>

9.2.19 RTC control register 2 (RCR2)

(1) In calendar count mode:

The RCR2 register is related to hours mode, automatic adjustment function, enabling the RTCOUT output, 30-second adjustment, RTC software reset, and controlling count operation.

Figure 9 - 32 Format of RTC Control Register 2 (RCR2)(In calendar count mode)

Address: F05A5H After reset: Undefined R/W

Symbol	7	6	5	4	3	2	1	0
RCR2	CNTMD	HR24	AADJP	AADJE	RTCOE	ADJ30	RESET	START
CNTMD	Count Mode Select							
0	The calendar count mode.							
1	The binary count mode.							
This bit specifies whether the RTC count mode is operated in calendar count mode or in binary count mode. When setting the count mode, execute an RTC software reset and start again from the initial settings. This bit is updated synchronously with the count source, and its value is fixed before the RTC software reset is completed. For details on initial settings, refer to section 9.3.1, Outline of initial settings of registers after power on.								
HR24	Hours Mode							
0	The RTC operates in 12-hour mode.							
1	The RTC operates in 24-hour mode.							
This bit specifies whether the RTC will operate in 12- or 24-hour mode. Use the START bit to stop counting by the counters before changing the value of the HR24 bit. Do not stop counting (write 0 to the START bit) and change the value of the HR24 bit at the same time.								
AADJP	Automatic Adjustment Period Select							
0	The RADJ.ADJ[5:0] setting value is adjusted from the count value of the prescaler every minute.							
1	The RADJ.ADJ[5:0] setting value is adjusted from the count value of the prescaler every 10 seconds.							
This bit selects the automatic-adjustment period. Set the plus-minus bits (RADJ.PMADJ) to 00b (adjustment is not performed) before changing the value of the AADJP bit. The AADJP bit is set to 0 by an RTC software reset.								
AADJE	Automatic Adjustment Control							
0	Automatic adjustment is disabled.							
1	Automatic adjustment is enabled.							
This bit controls (enables or disables) automatic adjustment. Set the plus-minus bits (RADJ.PMADJ) to 00b (adjustment is not performed) before changing the value of the AADJE bit. The AADJE bit is set to 0 by an RTC software reset.								
RTCOE	RTCOUT Output Control							
0	RTCOUT output disabled.							
1	RTCOUT output enabled.							
This bit enables output of a 1-Hz/64-Hz clock signal from the RTCOUT pin. Use the START bit to stop counting by the counters before changing the value of the RTCOE bit. Do not stop counting (write 0 to the START bit) and change the value of the RTCOE bit at the same time. When RTCOUT is to be output from an external pin, enable the RTCOE bit and set up the port control for the pin.								

ADJ30	30-Second Adjustment Control
In writing	
0	Writing is invalid.
1	30-second adjustment is executed.
In reading	
0	In normal time operation, or 30-second adjustment has completed.
1	During 30-second adjustment
<p>This bit is for 30-second adjustment.</p> <p>When 1 is written to the ADJ30 bit, the RSECNT value of 30 seconds or less is rounded down to 00 second and the value of 30 seconds or more is rounded up to 1 minute.</p> <p>The 30-second adjustment is performed in synchronization with the count source. When 1 is written to this bit, the ADJ30 bit is automatically set to 0 after the 30-second adjustment is completed. In case when 1 is written to the ADJ30 bit, check that the bit is set to 0, and then make next settings.</p> <p>When the 30-second adjustment is performed, the prescaler and R64CNT are also reset.</p> <p>The ADJ30 bit is set to 0 by an RTC software reset.</p>	

RESET	RTC Software Reset Control
In writing	
0	Writing is invalid.
1	The prescaler and the target registers for RTC software reset ^{Note} are initialized
In reading	
0	In normal time operation, or an RTC software reset has completed.
1	During an RTC software reset
<p>This bit initializes the prescaler and registers to be reset by RTC software.</p> <p>When 1 is written to the RESET bit, the initialization starts in synchronization with the count source. When the initialization is completed, the RESET bit is automatically set to 0.</p> <p>When 1 is written to the RESET bit, check that the bit is set to 0, and then make next settings.</p>	

<R>

START	Prescaler and time counter operation control
0	Prescaler and time counter are stopped.
1	Prescaler and time counter operate normally.
<p>This bit stops or restarts the prescaler or time counter operation.</p> <p>The START bit is updated in synchronization with the next count source. When the START bit is modified, check that the bit has been updated before proceeding to the next processing.</p>	

Note R64CNT, RSECAR/BCNT0AR, RMINAR/BCNT1AR, RHRAR/BCNT2AR, RWKAR/BCNT3AR, RDAYAR/BCNT0AER, RMONAR/BCNT1AER, RYRAR/BCNT2AER, RYRAREN/BCNT3AER, RADJ, RTCCRY, RSECCPy/BCNT0CPy, RMINCPy/BCNT1CPy, RHRCPy/BCNT2CPy, RDAYCPy/BCNT3CPy, RMONCPy, RCR2.ADJ30, RCR2.AADJE, RCR2.AADJP

<R>

Caution This register can only be accessed with an 8-bit memory manipulation instruction.

(2) In binary count mode:

Figure 9 - 33 Format of RTC Control Register 2 (RCR2) (In binary count mode)

Address: F05A5H After reset: Undefined R/W

Symbol	7	6	5	4	3	2	1	0
RCR2	CNTMD	0	AADJP	AADJE	RTCOE	0	RESET	START
CNTMD	Count Mode Select							
0	The calendar count mode.							
1	The binary count mode.							
<p>This bit specifies whether the RTC count mode is operated in calendar count mode or in binary count mode. When setting the count mode, execute an RTC software reset and start again from the initial settings. This bit is updated synchronously with the count source, and its value is fixed before the RTC software reset is completed.</p> <p>For details on initial settings, refer to section 9.3.1, Outline of initial settings of registers after power on.</p>								
AADJP	Automatic Adjustment Period Select							
0	Adds or subtracts the RADJ.ADJ[5:0] bits from the prescaler count value every 32 seconds							
1	Adds or subtracts the RADJ.ADJ[5:0] bits from the prescaler count value every 8 seconds							
<p>This bit selects the automatic-adjustment period. Correction period can be selected from 32 second units or 8 second units in binary count mode. Set the plus-minus bits (RADJ.PMADJ) to 00b (adjustment is not performed) before changing the value of the AADJP bit.</p> <p>The AADJP bit is set to 0 by an RTC software reset.</p>								
AADJE	Automatic Adjustment Control							
0	Automatic adjustment is disabled.							
1	Automatic adjustment is enabled.							
<p>This bit controls (enables or disables) automatic adjustment. Set the plus-minus bits (RADJ.PMADJ) to 00b (adjustment is not performed) before changing the value of the AADJE bit.</p> <p>The AADJE bit is set to 0 by an RTC software reset.</p>								
RTCOE	RTCOUT Output Control							
0	RTCOUT output disabled.							
1	RTCOUT output enabled.							
<p>This bit enables output of a 1-Hz/64-Hz clock signal from the RTCOUT pin. Use the START bit to stop counting by the counters before changing the value of the RTCOE bit. Do not stop counting (write 0 to the START bit) and change the value of the RTCOE bit at the same time.</p> <p>When an RTCOUT signal is to be output from an external pin, enable the port control as well as setting this bit.</p>								

RESET	RTC Software Reset Control
In writing	
0	Writing is invalid.
1	The prescaler and the target registers for RTC software reset ^{Note} are initialized
In reading	
0	In normal time operation, or an RTC software reset has completed.
1	During an RTC software reset
<p>This bit initializes the prescaler and registers to be reset by RTC software.</p> <p>When 1 is written to the RESET bit, the initialization starts in synchronization with the count source. When the initialization is completed, the RESET bit is automatically set to 0.</p> <p>When 1 is written to the RESET bit, check that the bit is set to 0, and then make next settings.</p>	

START	32-bit binary counter, 64-Hz counter, and prescaler operation control
0	The 32-bit binary counter, 64-Hz counter, and prescaler are stopped.
1	The 32-bit binary counter, 64-Hz counter, and prescaler are in normal operation.
<p>This bit stops or restarts the prescaler or counter (clock) operation.</p> <p>The START bit is updated in synchronization with the count source. When the START bit is modified, check that the bit is updated, and then make next settings.</p>	

Note R64CNT, RSECAR/BCNT0AR, RMINAR/BCNT1AR, RHRAR/BCNT2AR, RWKAR/BCNT3AR, RDAYAR/BCNT0AER, RMONAR/BCNT1AER, RYRAR/BCNT2AER, RYRAREN/BCNT3AER, RADJ, RTCCRY, RSECCPY/BCNT0CPy, RMINCPy/BCNT1CPy, RHRCpy/BCNT2CPy, RDAYCPy/BCNT3CPy, RMONCPy, RCR2.ADJ30, RCR2.AADJE, RCR2.AADJP

Caution This register can only be accessed with an 8-bit memory manipulation instruction.

<R>

9.2.20 RTC control register 3 (RCR3)

The RCR3 register is used to select the time capture event input (RTCICn) pins enable/disable.

Figure 9 - 34 Format of RTC Control Register 3 (RCR3)

Address: F05A7H After reset: Undefined R/W

Symbol	7	6	5	4	3	2	1	0
RCR3	0	0	0	0	0	0	0	RTCICEN

RCR3 register	RTCCRn register	Time capture event input (RTCICn) enable/disable
RTCICEN	TCEN	
0	0	RTCICn input is disabled.
0	1	Setting prohibited Note
1	0	RTCICn input is disabled.
1	1	RTCICn input is enabled.

RTCICEN bit (Time capture event input (RTCICn) control bit)
 This bit is used to select the time capture event input (RTCICn) pins enable/disable. When using the time capture event input function, be sure to set the TCEN bit to 1 after setting the RTCICEN bit to 1. When not using the time capture event input function, set the RTCICEN bit to 0. However, the external interrupt function of the RTCICn pin can be used, even when setting the RTCICEN bit to 0.

Note Setting the TCEN bit to 1 is prohibited when setting the RTCICEN to 0. When using the RTCICn pin, be sure to set the TCEN bit to 1 after setting the RTCICEN bit to 1.

Remark n = 0 to 2

Caution Be sure to set bits 7 to 0 to “0”. This register can only be accessed with an 8-bit memory manipulation instruction.

<R>

9.2.21 RTC control register 4 (RCR4)

The RCR4 register is used to select the count source clock. This register is a common function with the calendar count mode and the binary count mode.

When the RCKSEL bit of the RCR4 register is set to "0", the clock performs counting operation with the sub-clock (f_{sx}).

Figure 9 - 35 Format of RTC control register 4 (RCR4)

Address: F05A9H After reset: Undefined R/W

Symbol 7 6 5 4 3 2 1 <0>

RCR4	0	0	0	0	0	0	0	RCKSEL
------	---	---	---	---	---	---	---	--------

RCKSEL	Selection of count source clock
0	Sub-clock (f_{sx})
1	Setting prohibited
Sub-clock (f_{sx}) is selected as the count source. The count source can be selected only once before initial setting of the registers for independent power supply RTC after power-on.	

Caution **Be sure to set the RCKSEL bit to 0. This register can only be accessed with an 8-bit memory manipulation instruction.**

<R>

9.2.22 RTC control register 5 (RCR5)

The RCR5 register is used to select the count source clock. This register is a common function with the calendar count mode and the binary count mode.

Figure 9 - 36 Format of RTC control register 5 (RCR5)

Address: F05B3H After reset: Undefined R/W

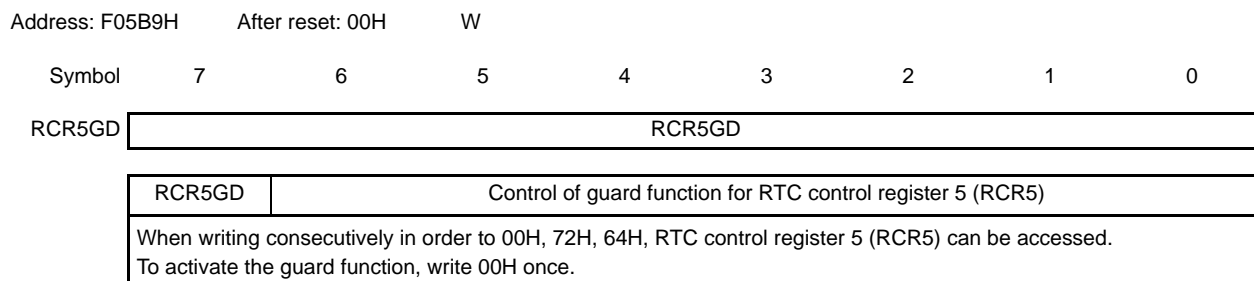
Symbol	7	6	5	4	3	2	1	0
RCR5	0	0	0	0	RCR5[3:0]			
RCR5[3:0]	Selection of realtime clock count source							
0000	Select the sub clock (f_{sx}) as a realtime clock count source							
Other than above	Setting prohibited							
The count source can be selected only once before initial setting of the registers for independent power supply RTC after power-on. This register can be accessed only after register guard release with the RCR5GD register. For details, refer to Figure 9 - 54, Outline of Initial Settings after Power On.								

Caution Be sure to set the RCR5[3:0] bits to 0. This register can only be accessed with an 8-bit memory manipulation instruction.

9.2.23 RCR5 guard register (RCR5GD)

The RCR5GD register is used to control the guard function for RTC control register 5 (RCR5).

Figure 9 - 37 Format of RCR5 guard register 5 (RCR5GD)



Caution This register can only be accessed with an 8-bit memory manipulation instruction.
And, this register is a write-only register. When this register is read, the read value is always 0.

9.2.24 Time error adjustment register (RADJ)

The RADJ register is used both in calendar count mode and in binary count mode.

Adjustment is performed by the addition to or subtraction from the prescaler.

In case when the automatic adjustment enable (RCR2.AADJE) bit is 0, adjustment is performed when writing to the RADJ.

In case when the RCR2.AADJE bit is 1, adjustment is performed in the interval specified by the automatic adjustment period select (RCR2.AADJP) bit.

The current adjustment by software (disabling automatic adjustment) may be invalid if the following adjustment value is specified within 320 cycles of the count source after the register setting. To perform adjustment consecutively, wait for 320 cycles or more of the count source after the register setting and then specify the next adjustment value.

RADJ is updated in synchronization with the count source. When RADJ is modified, check that all the bits have been updated before continuing with further processing.

This register is set to 00h by an RTC software reset.

Figure 9 - 38 Format of Time Error Adjustment Register (RADJ)

Address: F05AFH After reset: Undefined R/W

Symbol 7 6 5 4 3 2 1 0

RADJ	PMADJ		ADJ					
PMADJ	Time Error Adjustment Operation Control							
00	Adjustment is not performed.							
01	Adjustment is performed by the addition to the prescaler.							
10	Adjustment is performed by the subtraction from the prescaler.							
11	Setting prohibited							
These bits select whether the clock is set ahead or back depending on the error-adjustment value set in the ADJ bits.								
ADJ	Time Error Adjustment Value Setting							
These bits specify the adjustment value (the number of sub-clock cycles) from the prescaler.								

9.2.25 Time capture control register y (RTCCRy) (y = 0 to 2)

The RTCCRy register is used both in calendar count mode and in binary count mode.

RTCCR0, RTCCR1, and RTCCR2 control the RTCIC0, RTCIC1, and RTCIC2 pins, respectively.

RTCCRy is updated in synchronization with the count source. When RTCCRy is modified, check that all the bits except for the TCST bit have been updated before continuing with further processing.

This register is set to 00h by an RTC software reset.

Note: When the internal power supply voltage that V_{DD} pin or V_{BAT} pin was chosen by a battery backup function is stopped, the RTC time capture becomes unusable even if the power is supplied from the V_{RTC} pin.

Figure 9 - 39 Format of Time Capture Control Register y (RTCCRy) (y = 0 to 2)

Address: RTCCR0 F05C1H, RTCCR1 F05C3H, RTCCR2 F05C5H After reset: Undefined R/W

Symbol	7	6	5	4	3	2	1	0
RTCCRy	TCEN	0	TCNF	0	TCST	TCCT		

TCEN	Time Capture Event Input Pin Control
0	The RTCICn pin is disabled as the time capture event input.
1	The RTCICn pin is enabled as the time capture event input.
<p>This bit enables or disables the time capture event input pins (RTCIC0, RTCIC1, and RTCIC2). When the sub-clock is selected (RCR4.RSCSRL bit = 0 and RCR3.RTCICEN bit = 0), the time capture event input pins (RTCIC0, RTCIC1, and RTCIC2) are disabled regardless of the value of the TCEN bit. When the functions of the time capture event input pins (RTCIC0, RTCIC1, and RTCIC2) are multiplexed, set the port control and enable this bit. In this case, the port control should be set first. If the TCEN bit is set to 0, set also the TCCT bits to 00b.</p>	

TCNF	Time Capture Noise Filter Control
00	The noise filter is off.
01	Setting prohibited
10	The noise filter is on (count source).
11	The noise filter is on (count source by divided by 32).
<p>These bits control the noise filter of the time capture event input pins (RTCIC0, RTCIC1, and RTCIC2). When the noise filter is on, the count source divided by 1 or 32 is selectable by the combination with the RTCICNFEN register. In this case, when the input level on the time capture event input pin matches three consecutive times at the set sampling period, the input level is determined. Set the TCNF bits while the TCCT bits are 00b (no event is detected). When the noise filter is used, set the TCNF[1:0] bits, wait for three cycles of the specified sampling period, and then set the TCCT bits. Set the TCNF[1:0] bits when the TCEN bit is 1.</p>	

<R>

TCST	Time Capture Status
0	No event is detected.
1	An event is detected.

This bit indicates that an event of the time capture event input pins (RTCIC0, RTCIC1, and RTCIC2) has been detected. When the TCST bit is 0, no event is detected.

When the TCST bit is 1, this bit indicates that an event of the corresponding pin has been detected and the capture register is valid. When multiple events have been detected, the capture time for the first event is retained.

If an event is detected while the count operation is stopped (the RCR2.START bit is 0), the captured value is not guaranteed. In this case, set the TCST bit to 0 for deleting the captured value.

Writing 0 sets the TCST bit to 0. In addition, writing any other value except 0 has no effect.

Set the TCST bit while the TCCT bits are 00b (no event is detected).

The TCST bit is set to 0 in synchronization with the count source. When the TCST bit is set to 0, check that the bit has been updated before continuing with further processing.

TCCT	Time Capture Control
00	No event is detected.
01	Rising edge is detected.
10	Falling edge is detected.
11	Both edges are detected.

These bits control the edge detection of the time capture event input pins (RTCIC0, RTCIC1, and RTCIC2). The detection edge is selectable. The TCCT bits should be set while the TCEN bit is 1.

Note Indicates that an event has been detected. Writing 1 to this bit has no effect. Writing 0 sets this bit to 0.

9.2.26 Second capture register y (RSECCPy) (y = 0 to 2)/BCNT0 capture register y (BCNT0CPy) (y = 0 to 2)

(1) In calendar count mode:

RSECCPy is a read-only register that captures the RSECNT value when a time capture event is detected. The event detection times detected by the RTCIC0, RTCIC1, and RTCIC2 pins are stored in the RSECCP0, RSECCP1, and RSECCP2 registers, respectively.

This register is set to 00h by an RTC software reset.

Before reading from this register, be sure to stop the time capture event detection through the setting of the RTCCRy.TCCT[1:0] bits.

Figure 9 - 40 Format of Second Capture Register y (RSECCPy) (y = 0 to 2)

Address: RSECCP0 F05D3H, RSECCP1 F05E3H, RSECCP2 F05F3H After reset: Undefined R

Symbol	7	6	5	4	3	2	1	0
RSECCPy	0	SEC10			SEC1			
	SEC10		10-Second Capture					
	Capture value for the tens place of seconds							
	SEC1		1-Second Capture					
	Capture value for the ones place of seconds							

(2) In binary count mode:

BCNT0CPy is a read-only register that captures the BCNT0 value when a time capture event is detected.

The event detection times detected by the RTCIC0, RTCIC1, and RTCIC2 pins are stored in the BCNT0CP0, BCNT0CP1, and BCNT0CP2 registers, respectively.

This register is set to 00h by an RTC software reset.

Before reading from this register, be sure to stop the time capture event detection through the setting of the RTCCRy.TCCT[1:0] bits.

Figure 9 - 41 Format of BCNT0 Capture Register y (BCNT0CPy) (y = 0 to 2)

Address: BCNT0CP0 F05D3H, BCNT0CP1 F05E3H, BCNT0CP2 F05F3H After reset: Undefined

Symbol	7	6	5	4	3	2	1	0
BCNT0CPy	BCNTCPy							

9.2.27 Minute capture register y (RMINCPy) (y = 0 to 2)/BCNT1 capture register y (BCNT1CPy) (y = 0 to 2)

(1) In calendar count mode:

RMINCPy is a read-only register that captures the RMINCNT value when a time capture event is detected. The event detection times detected by the RTCIC0, RTCIC1, and RTCIC2 pins are stored in the RMINCP0, RMINCP1, and RMINCP2 registers, respectively.

This register is set to 00h by an RTC software reset.

Before reading from this register, be sure to stop the time capture event detection through the setting of the RTCCRy.TCCT[1:0] bits.

Figure 9 - 42 Format of Minute Capture Register y (RMINCPy) (y = 0 to 2)

Address: RMINCP0 F05D5H, RMINCP1 F05E5H, RMINCP2 F05F5H After reset: Undefined R

Symbol	7	6	5	4	3	2	1	0
RMINCPy	0	MIN10			MIN1			
MIN10	10-Minute Capture							
Capture value for the tens place of minutes								
MIN1	1-Minute Capture							
Capture value for the ones place of minutes								

(2) In binary count mode:

BCNT1CPy is a read-only register that captures the BCNT1 value when a time capture event is detected.

The event detection times detected by the RTCIC0, RTCIC1, and RTCIC2 pins are stored in the BCNT1CP0, BCNT1CP1, and BCNT1CP2 registers, respectively.

This register is set to 00h by an RTC software reset.

Before reading from this register, be sure to stop the time capture event detection through the setting of the RTCCRy.TCCT[1:0] bits.

Figure 9 - 43 Format of BCNT1 Capture Register y (BCNT1CPy) (y = 0 to 2)

Address: BCNT1CP0 F05D5H, BCNT1CP1 F05E5H, BCNT1CP2 F05F5H After reset: Undefined

Symbol	7	6	5	4	3	2	1	0
BCNT1CPy	BCNTCPy							

9.2.28 Hour capture register y (RHRCPy) (y = 0 to 2)/BCNT2 capture register y (BCNT2CPy) (y = 0 to 2)

(1) In calendar count mode:

RHRCPy is a read-only register that captures the RHCNT value when a time capture event is detected.

The event detection times detected by the RTCIC0, RTCIC1, and RTCIC2 pins are stored in the RHRCP0, RHRCP1, and RHRCP2 registers, respectively.

The PM bit is only enabled when the RCR2.HR24 bit is 0 (in 12-hour mode).

This register is set to 00h by an RTC software reset.

Before reading from this register, be sure to stop the time capture event detection through the setting of the RTCCRy.TCCT[1:0] bits.

Figure 9 - 44 Format of Hour Capture Register y (RHRCPy) (y = 0 to 2)

Address: RHRCP0 F05D7H, RHRCP1 F05E7H, RHRCP2 F05F7H After reset: Undefined R

Symbol	7	6	5	4	3	2	1	0
RHRCPy	0	PM	HR10		HR1			
	PM	PM						
	0	a.m.						
	1	p.m.						
	HR10	10-Hour Capture						
	Capture value for the tens place of hours							
	HR1	1-Hour Capture						
	Capture value for the ones place of hours							

(2) In binary count mode:

BCNT2CPy is a read-only register that captures the BCNT2 value when a time capture event is detected.

The event detection times detected by the RTCIC0, RTCIC1, and RTCIC2 pins are stored in the BCNT2CP0, BCNT2CP1, and BCNT2CP2 registers, respectively.

This register is set to 00h by an RTC software reset.

Before reading from this register, be sure to stop the time capture event detection through the setting of the RTCCRy.TCCT[1:0] bits.

Figure 9 - 45 Format of BCNT2 Capture Register y (BCNT2CPy) (y = 0 to 2)

Address: BCNT2CP0 F05D7H, BCNT2CP1 F05E7H, BCNT2CP2 F05F7H After reset: Undefined

Symbol	7	6	5	4	3	2	1	0
BCNT2CPy	BCNTCPy							

9.2.29 Date capture register y (RDAYCPy) (y = 0 to 2)/BCNT3 capture register y (BCNT3CPy) (y = 0 to 2)

(1) In calendar count mode:

RDAYCPy is a read-only register that captures the RDAYCNT value when a time capture event is detected. The event detection times detected by the RTCIC0, RTCIC1, and RTCIC2 pins are stored in the RDAYCP0, RDAYCP1, and RDAYCP2 registers, respectively. This register is set to 00h by an RTC software reset. Before reading from this register, be sure to stop the time capture event detection through the setting of the RTCCRy.TCCT[1:0] bits.

Figure 9 - 46 Format of Date Capture Register y (RDAYCPy) (y = 0 to 2)

Address: RDAYCP0 F05DBH, RDAYCP1 F05EBH, RDAYCP2 F05FBH After reset: Undefined R

Symbol	7	6	5	4	3	2	1	0
RDAYCPy	0	0	DATE10		DATE1			
	DATE10		10-Day Capture					
	Capture value for the tens place of days							
	DATE1		1-Day Capture					
	Capture value for the ones place of days							

(2) In binary count mode:

BCNT3CPy is a read-only register that captures the BCNT3 value when a time capture event is detected. The event detection times detected by the RTCTC0, RTCTC1, and RTCTC2 pins are stored in the BCNT3CP0, BCNT3CP1, and BCNT3CP2 registers, respectively. This register is set to 00h by an RTC software reset. Before reading from this register, be sure to stop the time capture event detection through the setting of the RTCCRy.TCCT[1:0] bits.

Figure 9 - 47 Format of BCNT3 Capture Register y (BCNT3CPy) (y = 0 to 2)

Address: BCNT3CP0 F05DBH, BCNT3CP1 F05EBH, BCNT3CP2 F05FBH After reset: Undefined

Symbol	7	6	5	4	3	2	1	0
BCNT3CPy	BCNTCPy							

9.2.30 Month capture register y (RMONCPy) (y = 0 to 2)

(1) In calendar count mode:

RMONCPy is a read-only register that captures the RMONCNT value when a time capture event is detected. The event detection times detected by the RTCIC0, RTCIC1, and RTCIC2 pins are stored in the RMONCP0, RMONCP1, and RMONCP2 registers, respectively.

This register is set to 00h by an RTC software reset.

Before reading from this register, be sure to stop the time capture event detection through the setting of the RTCCRy.TCCT[1:0] bits.

Figure 9 - 48 Format of Month Capture Register y (RMONCPy) (y = 0 to 2)

Address: RMONCP0 F05DDH, RMONCP1 F05EDH, RMONCP2 F05FDH After reset: Undefined R

Symbol	7	6	5	4	3	2	1	0
RMONCPy	0	0	0	MON10	MON1			
	MON10			10-Month Capture				
	Capture value for the tens place of months							
	MON1			1-Month Capture				
	Capture value for the ones place of months							

9.2.31 RTC status register (RSR)

RSR is a flag register of the periodic interrupt, carry, and alarm. This register is a common function with the calendar count mode and the binary count mode.

Each flag is set to 1 when the prescaler or the clock counter matches each interrupt setting condition. The prescaler, clock counter, and the setting register of each interrupt are not reset, so each flag may be set before it is read.

This register is set to 00h by an RTC software reset.

Figure 9 - 49 Format of RTC Status Register (RSR)

Address:F05A1H After reset: 00H^{Note 1} R/W

Symbol	7	6	5	4	3	2	1	0
RSR	0	0	0	0	0	PF	CF	AF

PF	Periodic interrupt flag
0	No interrupt occurs at a period that is set with RCR1.PES[3:0] bits
1	Interrupt occurs at a period that is set with RCR1.PES[3:0] bits ^{Note 2}
This flag indicates that the interrupt occurs at a period that is set with RCR1.PES[3:0] bits. During PF = 1, the periodic interrupt occurs. <Clear condition> • 0 is written to the PF flag. <Set condition> • Interrupt occurs at a period that is set with RCR1.PES[3:0] bits.	

CF	Carry flag
0	No carry of second counter/binary counter 0, and no carry of the 64 Hz counter when the 64 Hz counter is reading
1	Carry of second counter/binary counter 0, or carry of the 64 Hz counter when the 64 Hz counter is reading
During CF = 1, be sure to read again because the value which is read from the count register is not guaranteed. <Clear conditions> • 0 is written to the CF flag. <Set condition> • Carry of second counter/binary counter 0, or carry of the 64 Hz counter when the 64 Hz counter is reading • 1 is written to the CF flag.	

AF	Alarm flag
0	The counter does not match the alarm registers
1	The counter matches the alarm registers ^{Note 2}
• This bit is set to 1 when the counter matches the alarm time set with the alarm registers (calendar count mode: RSECAR, RMINAR, RHRAR, RWKAR, RDAYAR, RMONAR, RYRAR; binary count mode: BCNT0AR, BCNT1AR, BCNT2AR, BCNT3AR) (only registers that the ENB bit is set to 1). <Clear conditions> • 0 is written to the AF flag. <Set condition> • The counter matches the alarm registers (only registers that the ENB bit is set to 1).	

Note 1. After reset is released, read value may be undefined.

Note 2. Writing "1" to this bit is invalid.

9.2.32 Sub clock operation mode control register (SCMC)

This register is used to set the operating mode of the XT1/P123 and XT2/EXCLKS/P124 pins, and to select the gain of the oscillator.

After release from an RTC power-on reset or a reset from any other source, the SCMC register can be written only once by an 8-bit memory manipulation instruction. This register can be read by an 8-bit memory manipulation instruction.

Generation of the RTC power-on reset signal clears this register to 00H.

Caution The SCMC register is only initialized by an RTC power-on reset; it retains its value following a reset due to another source.

Figure 9 - 50 Format of Sub clock operation mode control register (SCMC)

Address: F0384H After reset: 00H R/W

Symbol	7	6	5	4	3	2	1	0
SCMC	0	0	EXCLKS	OSCSELS	0	AMPHS1	AMPHS0	0

EXCLKS	OSCSELS	Subsystem clock pin operation mode	XT1/P123 pin	XT2/EXCLKS/P124 pin
0	0	Input port mode	Input port	
0	1	XT1 oscillation mode	Crystal oscillator connection	
1	0	Input port mode	Input port	
1	1	External clock input mode	Input port	External clock input

AMPHS1	AMPHS0	XT1 oscillator oscillation mode selection
0	0	Low-power consumption oscillation (default)
0	1	Normal oscillation
1	0	Ultra-low power consumption oscillation
1	1	Setting prohibited

Note The EXCLKS, OSCSELS, AMPHS1, and AMPHS0 bits are only initialized by an RTC power-on reset; they retain their values following a reset due to another source (including the power-on reset of the internal V_{DD} power supply).

Caution 1. After the CPU is released from the reset state, the SCMC register can be written only once by an 8-bit memory manipulation instruction. When using the SCMC register with its initial value (00H), be sure to set the register to 00H after a reset ends in order to prevent malfunction due to a program loop.

Caution 2. After the CPU is released from the reset state, set the SCMC register before XT1 oscillation is started as set by the sub clock operation status control register (SCSC).

Caution 3. Specify the settings for the AMPHS1 and AMPHS0 bits while f_{IH} is selected as f_{CLK} after a reset ends (before f_{CLK} is switched to f_{MX}).

Caution 4. Count the f_{XT} oscillation stabilization time by using software.

Caution 5. After the CPU is released from the reset state following writing to the SCMC register and then a reset other than an RTC power-on reset, set the same value as the value before the reset to prevent incorrect operation in the case of an endless loop or runaway execution.

Caution 6. The XT1 oscillator is a circuit with low amplification in order to achieve low-power consumption. Note the following points when designing the circuit.

- Pins and circuit boards include parasitic capacitance. Therefore, perform oscillation evaluation using a circuit board to be actually used and confirm that there are no problems.
- When using the ultra-low power consumption oscillation (AMPHS1, AMPHS0 = 1, 0) as the mode of

the XT1 oscillator, evaluate the resonators described in 6.7 Resonator and Oscillator Constants.

- Make the wiring between the XT1 and XT2 pins and the resonators as short as possible, and minimize the parasitic capacitance and wiring resistance. Note this particularly when the ultra-low power consumption oscillation (AMPHS1, AMPHS0 = 1, 0) is selected.
- Configure the circuit of the circuit board, using material with little parasitic capacitance and wiring resistance.
- Place a ground pattern that has the same potential as Vss as much as possible near the XT1 oscillator.
- Be sure that the signal lines between the XT1 and XT2 pins, and the resonators do not cross with the other signal lines. Do not route the wiring near a signal line through which a high fluctuating current flows.
- The impedance between the XT1 and XT2 pins may drop and oscillation may be disturbed due to moisture absorption of the circuit board in a high-humidity environment or dew condensation on the board. When using the circuit board in such an environment, take measures to damp-proof the circuit board, such as by coating.
- When coating the circuit board, use material that does not cause capacitance or leakage between the XT1 and XT2 pins.

Caution 7. Be sure to clear bits 7, 6, 3, and 0 to 0.

9.2.33 Sub clock operation status control register (SCSC)

This register is used to control the operation of the sub clock.

The SCSC register can be set by a 1-bit or an 8-bit memory manipulation instruction.

Generation of the RTC power-on reset signal sets this register to 40H.

Caution The SCSC register is only initialized by an RTC power-on reset; it retains its value following a reset due to another source.

Figure 9 - 51 Format of Sub clock operation status control register (SCSC)

Address: F0386H After reset: 40H R/W

Symbol 7 <6> 5 4 3 2 1 0

SCSC	0	XTSTOP	0	0	0	0	0	0
------	---	--------	---	---	---	---	---	---

XTSTOP Note	Control of XT1 oscillator operation
0	XT1 oscillation mode: XT1 oscillator operating External clock input mode: External clock from EXCLKS pin is valid. Input port mode: Input port
1	XT1 oscillation mode: XT1 oscillator stopped External clock input mode: External clock from EXCLKS pin is invalid. Input port mode: Input port

Note The XTSTOP bit is only initialized by an RTC power-on reset; it retains its value following a reset due to another source (including the power-on reset of the internal V_{DD} power supply).

Caution 1. When starting XT1 oscillation by setting the XTSTOP bit, use software to wait for oscillation of the sub clock to become stable.

Caution 2. Be sure to clear the bits 7 and 5 to 0 to 0.

9.2.34 RTC power-on-reset status register (RTCPORSR)

<R>

The RTCPORSR register is used to check the occurrence of an RTC Power-on reset.

Writing 1 to bit 0 (RTCPORF) of the RTCPORSR register enables this function. Writing 0 disables this function.

<R>

Write 1 to the RTCPORF bit in advance to enable checking of the occurrence of an RTC power-on reset.

The RTCPORSR register can be set by an 8-bit memory manipulation instruction.

Generation of the RTC power-on reset signal clears this register to 00H.

Caution. The RTCPORSR register is reset only by an RTC power-on reset; it retains the value when a reset caused by another source occurs.

Figure 9 - 52 Format of RTC power-on-reset status register (RTCPORSR)

Address: F0380H	After reset: 00H	R/W						
Symbol	7	6	5	4	3	2	1	0
RTCPOR SR	0	0	0	0	0	0	0	RTCPORF
	RTCPORF	Checking occurrence of RTC Power-on reset						
	0	RTC power-on reset has occurred.						
	1	No RTC power-on reset has occurred.						

<R>

<R>

<R>

9.2.35 Time capture event input noise filter enable register (RTCICNFEN)

The RTCICNFEN register is used to set the noise filter can be used for the input signal from the RTCICn (n = 0 to 2) pins.

When the noise filter is enabled, after selection of whether RTC count source (f_{XT}) divided by 2^{12} or 2^{13} performed with the operation clock (f_{MCK}) of the target channel, 3-clock match detection is performed.

The RTCICNFEN register can be set by an 8-bit memory manipulation instruction.

Generation of the RTC power-on reset signal clears this register to 00H.

Caution. The RTCICNFEN register is reset only by an RTC power-on reset; it retains the value when a reset caused by another source occurs.

Figure 9 - 53 Format of Time Capture Event Input Noise Filter Enable Register (RTCICNFEN)

Address: F0382H After reset: 00H R/W

Symbol 7 6 5 4 3 2 1 0

RTCICNFEN	0	RTCIC2NF1	RTCIC1NF1	RTCIC0NF1	0	RTCIC2NF0	RTCIC1NF0	RTCIC0NF0
-----------	---	-----------	-----------	-----------	---	-----------	-----------	-----------

RTCIC2NF1	RTCIC2NF0	Use of noise filter of RTCIC2 pin
0	0	Noise filter OFF
0	1	
1	0	Noise filter ON (RTC count source (f_{sx}) divided by $2^{12} = 250$ ms)
1	1	Noise filter ON (RTC count source (f_{sx}) divided by $2^{13} = 500$ ms)

RTCIC1NF1	RTCIC1NF0	Use of noise filter of RTCIC1 pin
0	0	Noise filter OFF
0	1	
1	0	Noise filter ON (RTC count source (f_{sx}) divided by $2^{12} = 250$ ms)
1	1	Noise filter ON (RTC count source (f_{sx}) divided by $2^{13} = 500$ ms)

RTCIC0NF1	RTCIC0NF0	Use of noise filter of RTCIC0 pin
0	0	Noise filter OFF
0	1	
1	0	Noise filter ON (RTC count source (f_{sx}) divided by $2^{12} = 250$ ms)
1	1	Noise filter ON (RTC count source (f_{sx}) divided by $2^{13} = 500$ ms)

Caution 1. Be sure to clear bits 7 and 3 to 0.

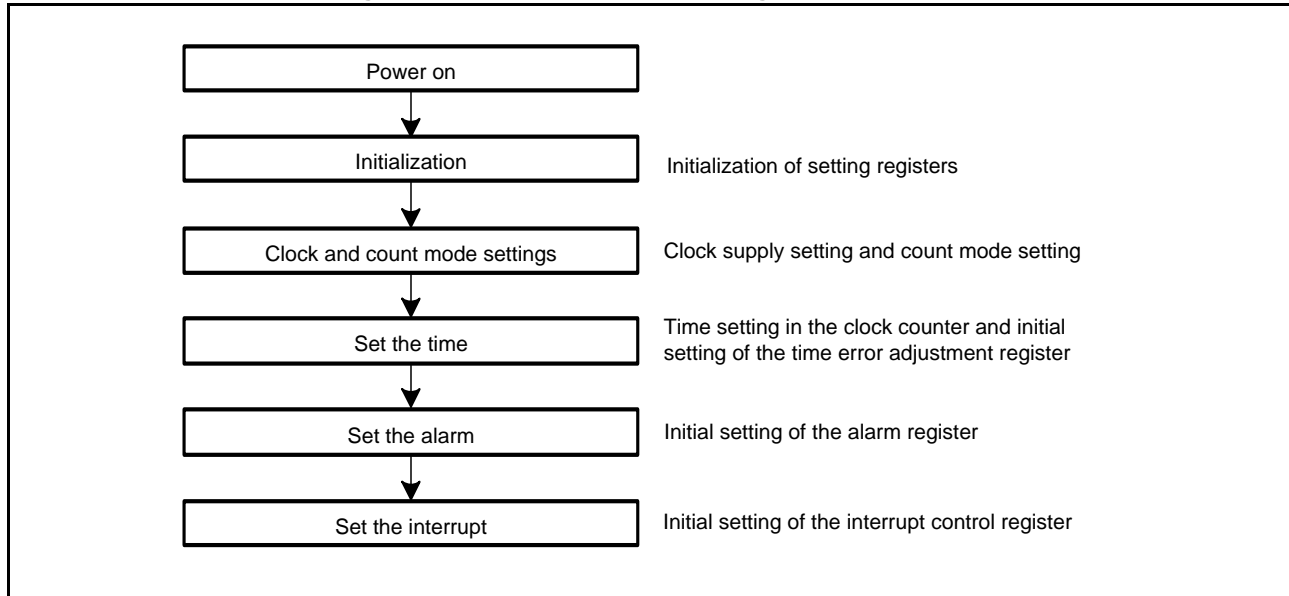
Caution 2. Set the RTCICNFEN register while the TCCT bits are 00b (no event is detected). When the noise filter is used, set the RTCICNFEN register, wait for three cycles of the specified sampling period, and then set the TCCT bits. Set the RTCICNFEN register when the TCEN bit is 1.

9.3 Operation

9.3.1 Outline of initial settings of registers after power on

After the power is turned on, the initial settings for the clock setting, count mode setting, time error adjustment, time setting, alarm, interrupt, and time capture control register should be performed.

Figure 9 - 54 Outline of Initial Settings after Power On



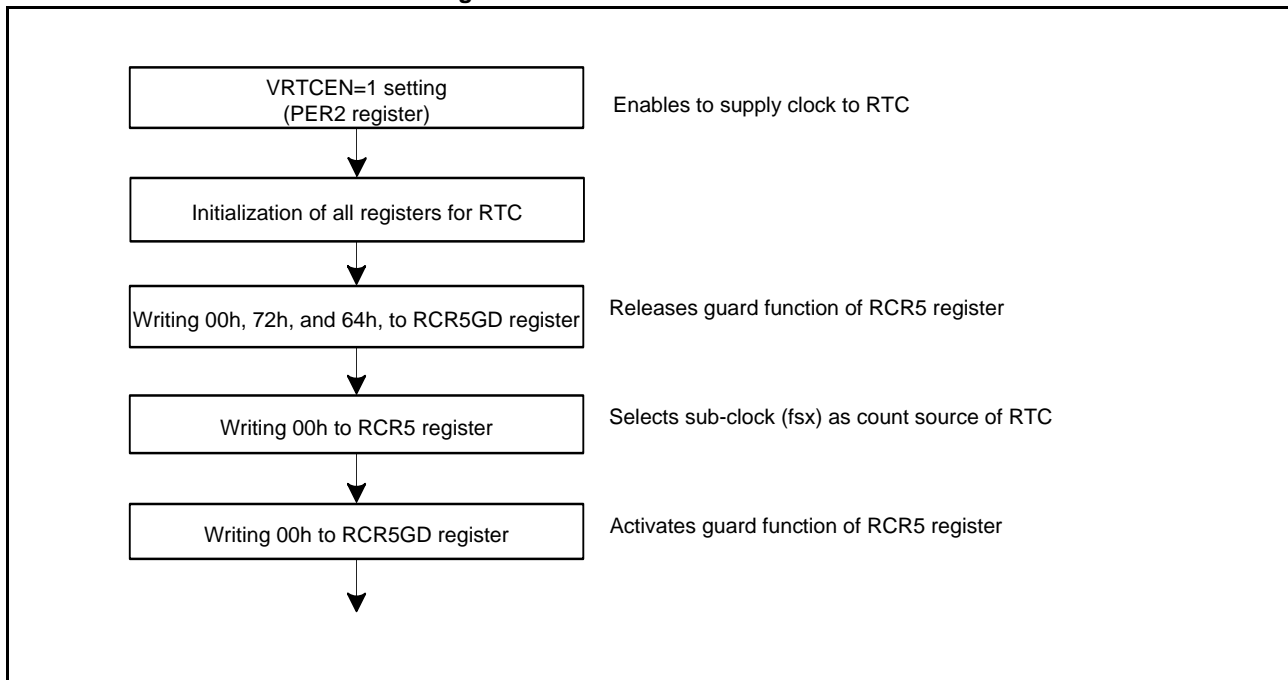
Remark The minimum operating voltage of V_{DD} is 1.7 V or 1.9 V, although the minimum operating voltage of V_{RTC} is 1.6 V.

<R>

9.3.2 Initialization procedure

Figure 9 - 55 shows an initialization procedure.

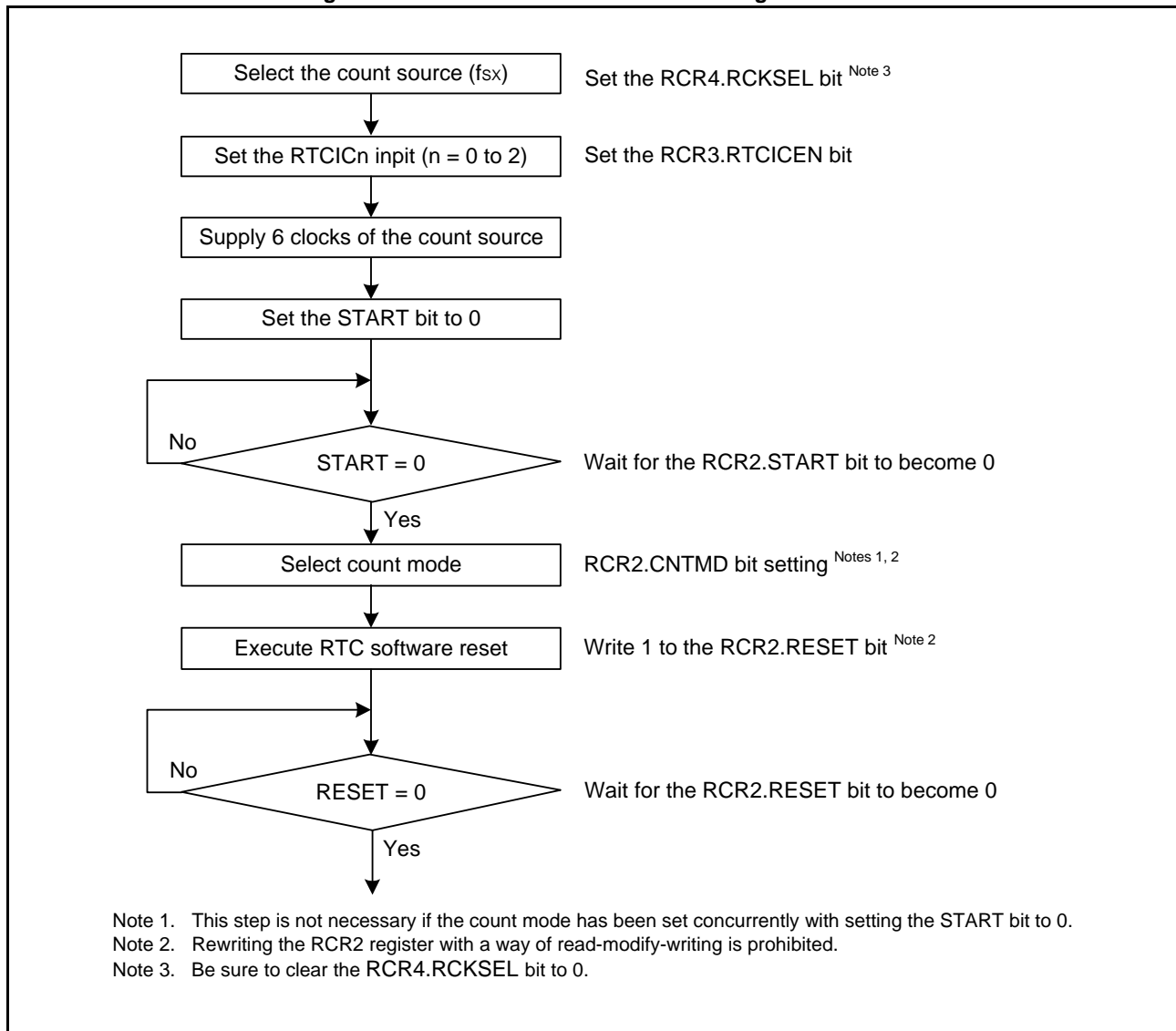
Figure 9 - 55 Initialization Procedure



9.3.3 Clock and count mode setting procedure

Figure 9 - 56 shows how to set the clock and the count mode.

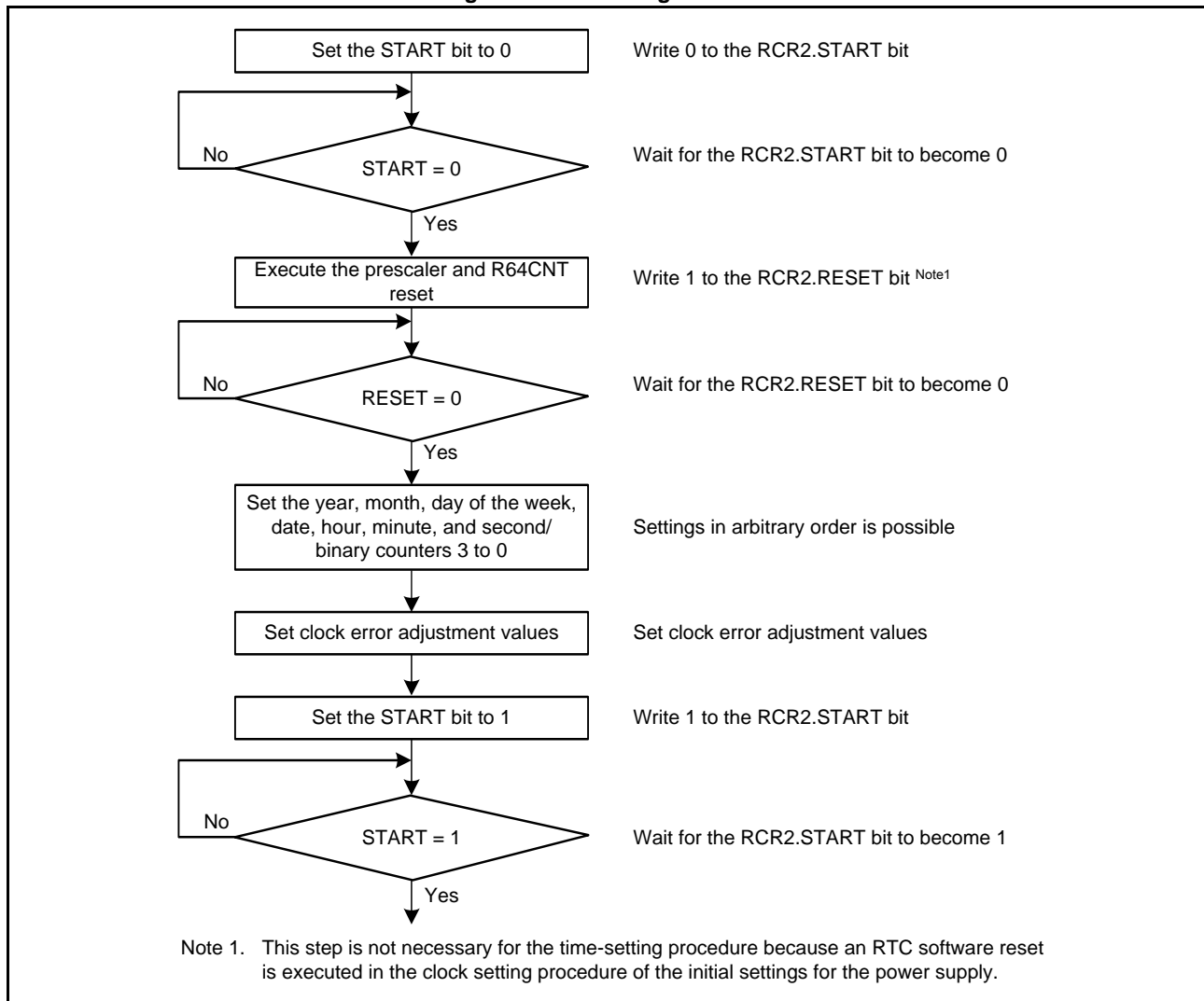
Figure 9 - 56 Clock and Count Mode Setting Procedure



9.3.4 Setting the time procedure

Figure 9 - 57 shows how to set the time.

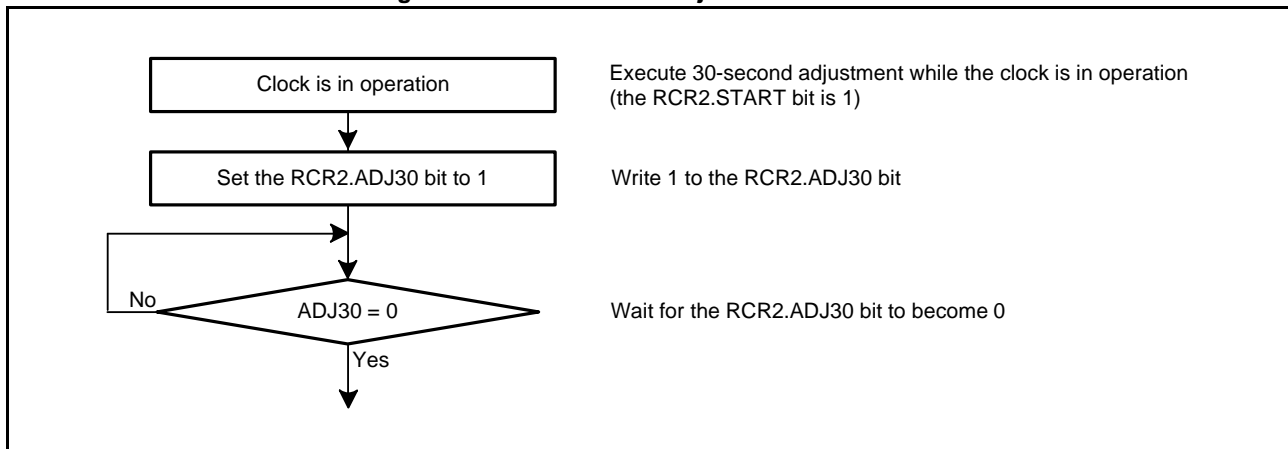
Figure 9 - 57 Setting the Time



9.3.5 30-second adjustment procedure

Figure 9 - 58 shows how to execute 30-second adjustment.

Figure 9 - 58 30-Second Adjustment Procedure

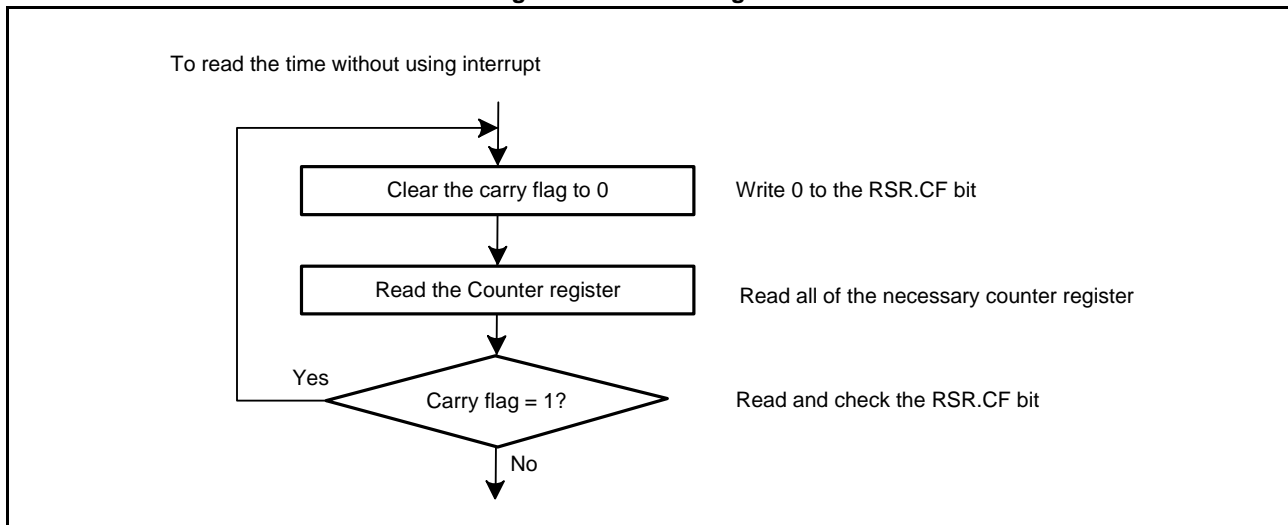


9.3.6 Reading 64-Hz counter and time

Figure 9 - 59 shows how to read the 64-Hz counter and time.

<R>

Figure 9 - 59 Reading Time

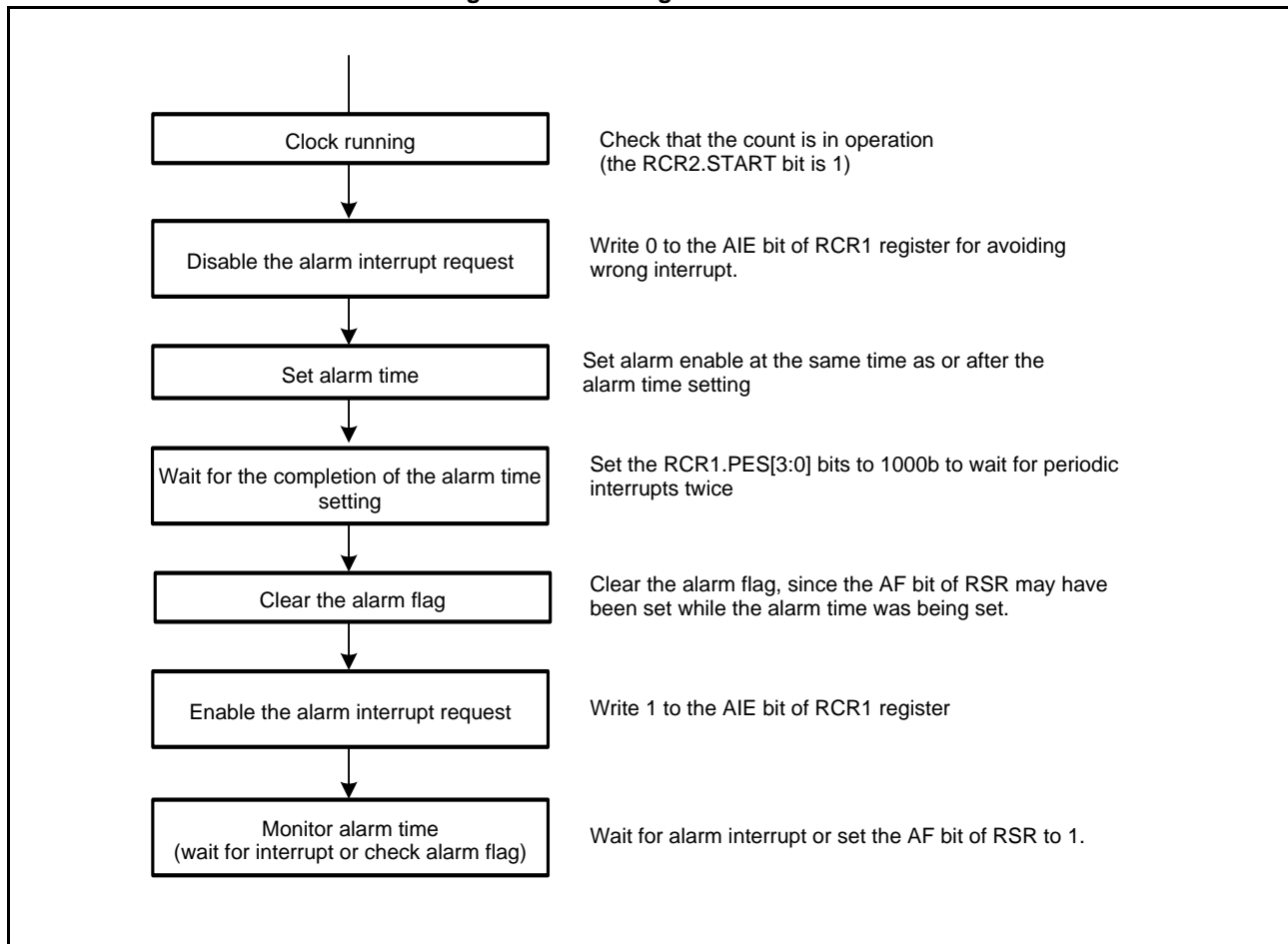


If a carry occurs while the 64-Hz counter and time are being read, the correct time will not be obtained, so they must be read again. The procedure for reading the time without using interrupts is shown in Figure 9 - 59.

9.3.7 Alarm function

Figure 9 - 60 shows how to use the alarm function.

Figure 9 - 60 Using Alarm Function



In calendar count mode, an alarm can be generated by any one of year, month, date, day-of-week, hour, minute or second, or any combination of those. Write 1 to the ENB bit in the alarm registers involved in the alarm setting, and set the alarm time in the lower bits. Write 0 to the ENB bit in registers not involved in the alarm setting.

In binary count mode, an alarm can be generated in any bit combination of 32 bits. Write 1 to the ENB bit of the alarm enable register corresponding to the target bit of the alarm, and set the alarm time to the alarm register. For bits that are not target of the alarm, write 0 to the ENB bit of the alarm enable register.

When the counter and the alarm time match, the alarm flag (AF) of the RTC status register (RSR) is set to 1. Alarm detection can be confirmed by reading this bit, but an interrupt should be used in most cases. If 1 has been set in the interrupt request enable bit corresponding to the ALM interrupt, an alarm interrupt is generated in the event of alarm, enabling the alarm to be detected.

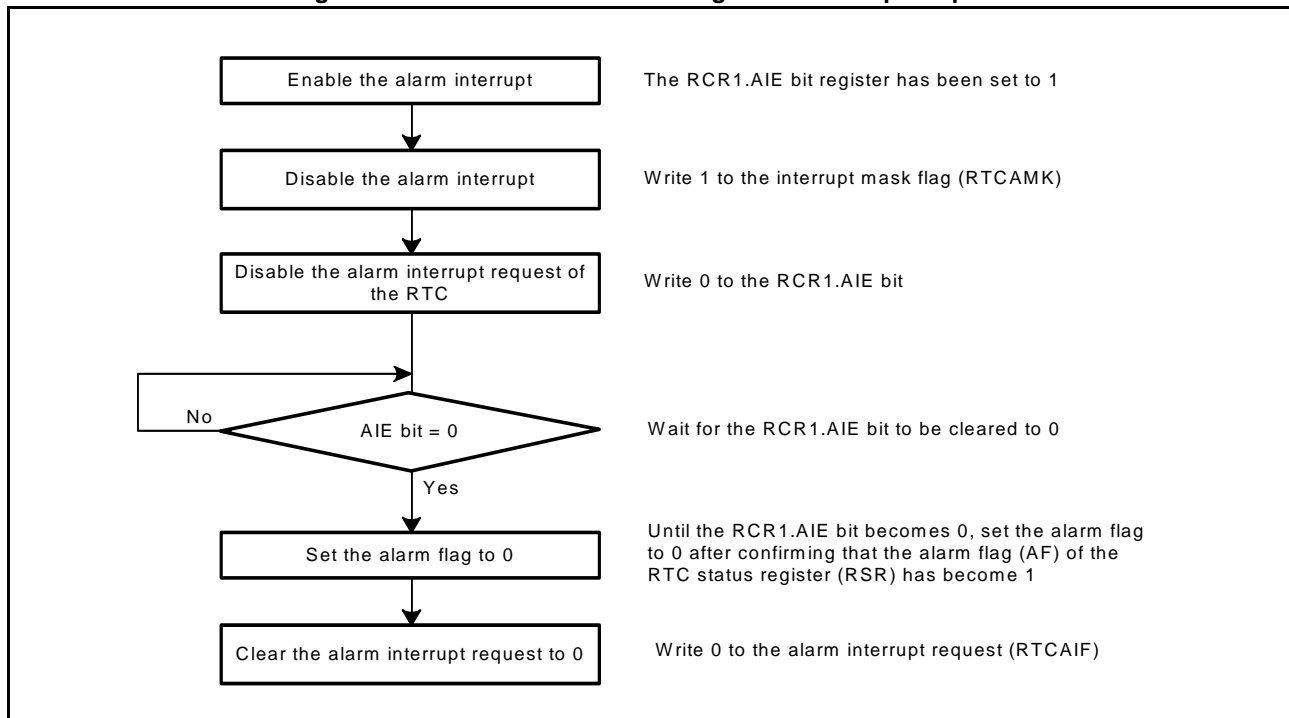
Writing 0 clear the alarm flag (AF) of the RTC status register (RSR).

When the counter and the alarm time match in a low power consumption state, the MCU returns from the low power consumption state.

9.3.8 Procedure for disabling alarm interrupt

Figure 9 - 61 shows the procedure for disabling the enabled alarm interrupt request.

Figure 9 - 61 Procedure for Disabling Alarm Interrupt Request



9.3.9 Time error adjustment function

The time error adjustment function is used to correct errors (running fast or slow) in the time due to the precision of oscillation by the sub-clock. Since 32,768 cycles of the sub-clock constitute 1 second of operation when the sub-clock is selected, the clock runs fast if the sub-clock frequency is high and slow if the sub-clock frequency is low. This function can be used to correct errors due to the clock running fast or slow.

Two types of time error adjustment functions are provided: automatic adjustment and adjustment by software. Use the RCR2.AADJE bit to select automatic adjustment or adjustment by software.

9.3.9.1 Automatic adjustment

Enable automatic adjustment by setting the RCR2.AADJE bit to 1.

Automatic adjustment is the addition or subtraction of the value counted by the prescaler to or from the value in the RADJ register every time the adjustment period selected by the RCR2.AADJE bit elapses.

Examples are shown below.

[Example 1] Sub-clock running at 32.769 kHz

Adjustment procedure:

When the sub-clock is running at 32.769 kHz, 1 second elapses every 32,769 clock cycles. The RTC is meant to run at 32,768 clock cycles, so the clock runs fast by one clock cycle every second. The time on the clock is fast by 60 clock cycles per minute, so adjustment can take the form of setting the clock back by 60 cycles every minute.

Register settings: (when RCR2.CNTMD = 0)

- RCR2.AADJP = 0 (adjustment every minute)
- RADJ.PMADJ[1:0] = 10b (adjustment is performed by the subtraction from the prescaler.)
- RADJ.ADJ[5:0] = 60 (3Ch)

[Example 2] Sub-clock running at 32.766 kHz

Adjustment procedure:

When the sub-clock is running at 32.766 kHz, 1 second elapses every 32,766 clock cycles. The RTC is meant to run at 32,768 clock cycles, so the clock runs slow by two clock cycles every second. The time on the clock is slow by 20 clock cycles every 10 seconds, so adjustment can take the form of setting the clock forward by 20 cycles every 10 seconds.

Register settings: (when RCR2.CNTMD = 0)

- RCR2.AADJP = 1 (adjustment every 10 seconds)
- RADJ.PMADJ[1:0] = 01b (adjustment is performed by the addition to the prescaler.)
- RADJ.ADJ[5:0] = 20 (14h)

[Example 3] Sub-clock running at 32.764 kHz

Adjustment procedure:

At 32.764 kHz, 1 second elapses on 32,764 clock cycles. Since the RTC operates for 32,768 clock cycles as 1 second, the clock is delayed for four clock cycles per second. In 8 seconds, the delay is 32 clock cycles, so correction can be made by proceeding the clock for 32 clock cycles every 8 seconds.

Register settings when the RCR2.CNTMD bit is 1

- RCR2.AADJP = 1 (adjustment every 8 seconds)
- RADJ.PMADJ[1:0] = 01b (adjustment is performed by the addition to the prescaler.)
- RADJ.ADJ[5:0] = 32 (20h)

9.3.9.2 Adjustment by software

Enable adjustment by software by setting the RCR2.AADJE bit to 0.

Adjustment by software is the addition or subtraction of the value counted by the prescaler to or from the value in the RADJ register at the time of execution of an instruction for writing to the RADJ register.

An example is shown below.

[Example 1] Sub-clock running at 32.769 kHz

Adjustment procedure:

When the sub-clock is running at 32.769 kHz, 1 second elapses every 32,769 clock cycles. The RTC is meant to run at 32,768 clock cycles, so the clock runs fast by one clock cycle every second. The time on the clock is fast by one clock cycle per second, so adjustment can take the form of setting the clock back by one cycle every second.

Register settings:

- RADJ.PMADJ[1:0] = 10b (adjustment is performed by the subtraction from the prescaler.)
- RADJ.ADJ[5:0] = 1 (01h)
This is written to the RADJ register once per 1-second interrupt.

9.3.9.3 Procedure for changing the mode of adjustment

When changing the mode of adjustment, change the value of the AADJE bit in RCR2 after setting the RADJ.PMADJ[1:0] bits to 00b (adjustment is not performed).

Changing from adjustment by software to automatic adjustment:

- (1) Set the RADJ.PMADJ[1:0] bits to 00b (adjustment is not performed).
- (2) Set the RCR2.AADJE bit to 1 (automatic adjustment is enabled).
- (3) Use the RCR2.AADJP bit to select the period of adjustment.
- (4) In RADJ, set the PMADJ[1:0] bits for addition or subtraction and the ADJ[5:0] bits to the value for use in time error adjustment.

Changing from adjustment by software to automatic adjustment:

- (1) Set the RADJ.PMADJ[1:0] bits to 00b (adjustment is not performed).
- (2) Set the RCR2.AADJE bit to 0 (adjustment by software is enabled).
- (3) Proceed with adjustment by setting the RADJ.PMADJ[1:0] bits for addition or subtraction and the RADJ.ADJ[5:0] bits to the value for use in time error adjustment at the desired time. After that, the time is adjusted every time a value is written to the RADJ register.

9.3.9.4 Procedure for stopping adjustment

Stop adjustment by setting the RADJ.PMADJ[1:0] bits to 00b (adjustment is not performed).

9.3.9.5 Time capture function

The RTC is capable of storing the month, date, hour, minute and second/binary counters 3 to 0 by detecting an edge of a signal on a time capture event input pin.

A noise filter can also be used on a time capture event input pin. If the noise filter is enabled, the TCST bit is set to 1 when the input level on the pin matches three times.

The noise filter can be switched on or off for each of the time capture event input pins. Operation when the noise filter is off is shown in and operation when the noise filter is on is shown in Figure 9 - 63.

Figure 9 - 62 Timing of a Time capture function Operation (with the Filter Off)

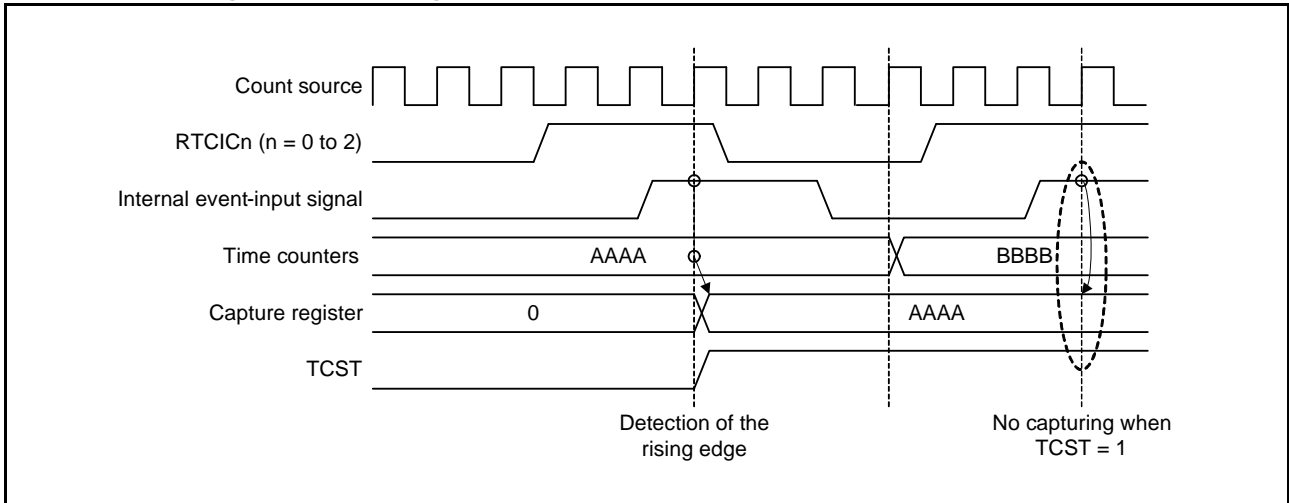
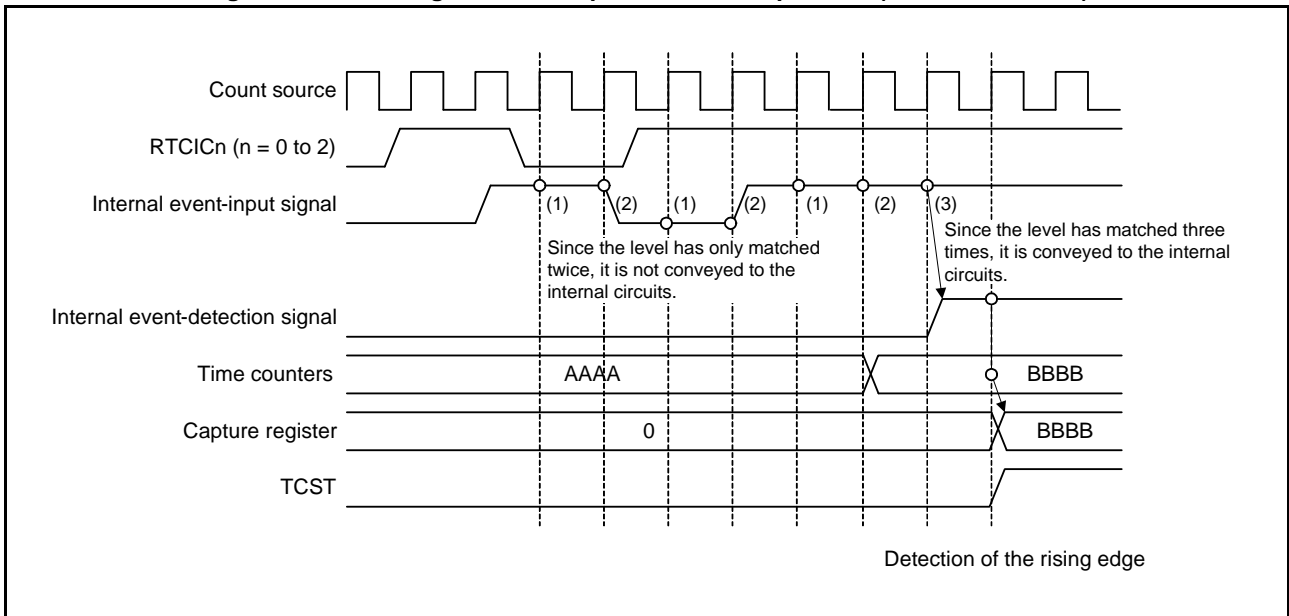


Figure 9 - 63 Timing of a Time capture function Operation (with the Filter On)

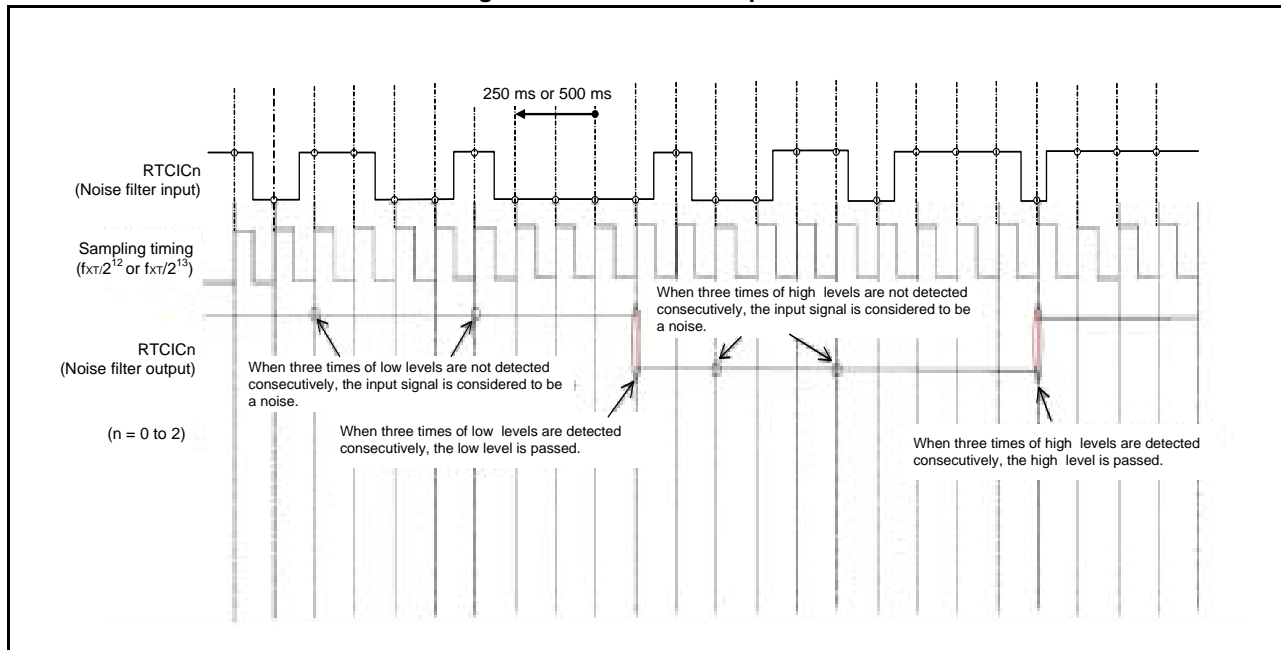


9.3.10 Noize filter operation for RTCICn pin (n = 0 to 2)

The RTCICn pin (n = 0 to 2) can be used as the RTC time capture event input. A noize filter for the RTCICn pin is incorporated to prevent an unnecessary time capturing caused by chattering of the RTCICn pin. A sampling clock is selected with the RTCICnNF0 bit of the RTCICNFEN register. The RTCICn pin input signal is sampled, and it can pass when matching with the detection level three times continuously.

Example of noize filter operation is shown in Figure 9 - 64.

Figure 9 - 64 Noize filter operation



Setting of the noize filter for the RTCICn pin can be selected with two registers (RTCICNFEN and RTCCRn.TCNF1-0). A setting list is shown in the following table.

Table 9 - 3 Noize filter operation for RTCICn pin (n = 0 to 2)

RCR3	RTCCRn		RTCICNFEN		Noize filter setting for RTCICn pin
	TCNF1	TCNF0	RTCICnNF1	RTCICnNF0	
0	0	0	0	x	RTCICn pin input is invalid.
0	0	0	0	x	Noize filter OFF
			1	0	Noize filter ON (RTC count source divided by 2 ¹²)
			1	1	Noize filter ON (RTC count source divided by 2 ¹³)
	1	0	0	0	Noize filter ON (RTC count source)
	1	1	0	0	Noize filter ON (RTC count source divided by 32)
Other than above					Setting prohibited

Remark n = 0 to 2

9.4 Interrupt Sources

There are three interrupt sources in the realtime clock. Table 9 - 4 lists interrupt sources for the RTC.

Table 9 - 4 RTC Interrupt Sources

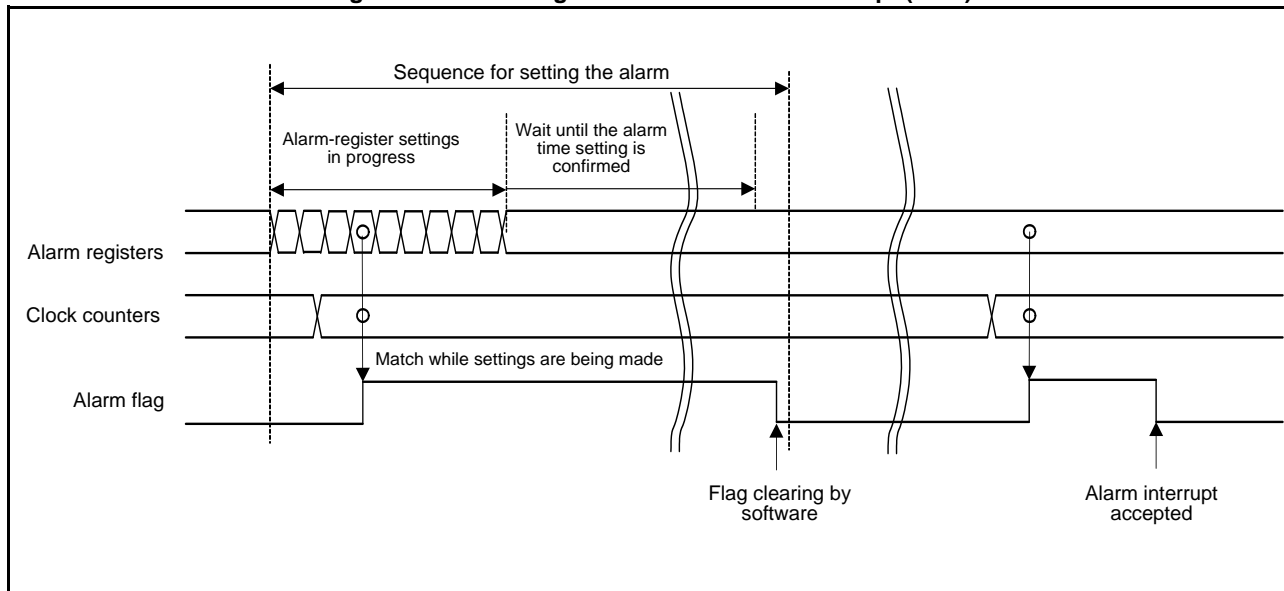
Name	Interrupt Sources
INTRTCALM	Alarm interrupt (ALM)
INTRTCPRD	Periodic interrupt (PRD)

(1) Alarm interrupt (ALM)

This interrupt is generated according to the result of comparison between the alarm registers and realtime clock counters (for details, refer to section 9.3.7, Alarm function).

Since there is a possibility that the interrupt flag may be set to 1 when the settings of the alarm registers match the clock counters, wait for the alarm time settings to be confirmed and clear the alarm flag (AF) of the RTC status register (RSR) to 0 again after modifying values of the alarm registers. Once the interrupt flag for the alarm interrupt has been set to 1 and the state has returned to non-matching of the alarm registers and clock counters, the flag will not be set again until there is a further match or the values of the alarm registers are modified again.

Figure 9 - 65 Timing Chart for the Alarm Interrupt (ALM)



(2) Periodic interrupt (PRD)

This interrupt is generated at intervals of 2 seconds, 1 second, 1/2 second, 1/4 second, 1/8 second, 1/16 second, 1/32 second, 1/64 second, 1/128 second, or 1/256 second. The interrupt interval can be selected through the RCR1.PES[3:0] bits.

9.5 Event Link Output

The RTC outputs the following event signals for the event link controller (ELC), and these can be used to initiate operations by other modules selected in advance.

(1) Periodic event output

The periodic event signal is output at the interval selected from among 1/256, 1/128, 1/64, 1/32, 1/16, 1/8, 1/4, 1/2, 1, and 2 seconds by the setting of the RCR1.PES[3:0] bits.

The event generation period immediately after the event generation is selected is not guaranteed.

Note: If event linking from the RTC is to be used, only make the ELC settings after making the RTC settings (initialization, time settings, etc.). Making the RTC settings after the ELC settings can lead to the output of unexpected event signals.

9.5.1 Interrupt handling and event linking

The RTC has a bit to enable or disable periodic interrupts. An interrupt request signal is output for the CPU when an interrupt source is generated while the corresponding enable bit is enabled.

In contrast, an event link output signal is sent to other modules as an event signal via the ELC when an interrupt source is generated, regardless of the setting of the corresponding interrupt enable bit.

Note: Although alarm and periodic interrupts can still be output during STOP mode, the periodic event signals for the ELC are not output.

<R>

9.6 Usage Notes

9.6.1 Register writing during counting

The following registers should not be written to during counting (while the RCR2.START bit = 1).

RSECCNT/BCNT0, RMINCNT/BCNT1, RHRCNT/BCNT2, RDAYCNT, RWKCNT/BCNT3, RMONCNT, RYRCNT, RCR1.RTCOS, RCR2.RTCOE, RCR2.HR24

The counter must be stopped before writing to any of the above registers.

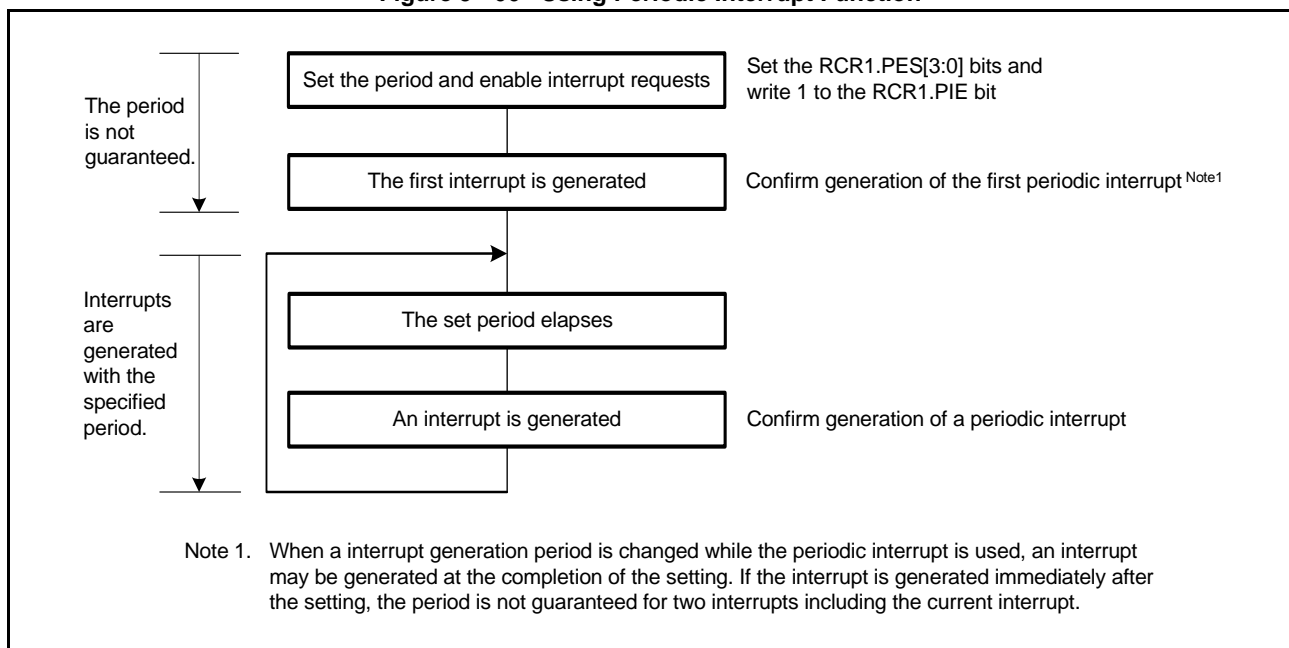
9.6.2 Use of periodic interrupts

The procedure for using periodic interrupts is shown in Figure 9 - 66.

The generation and period of the periodic interrupt can be changed by the setting of the RCR1.PES[3:0] bits. However, since the prescaler, R64CNT, and RSECCNT/BCNT0 are used to generate interrupts, the interrupt period is not guaranteed immediately after setting of the RCR1.PES[3:0] bits.

Furthermore, stopping/restarting or resetting counter operation, reset by RTC software, and the 30-second adjustment by changing the RCR2 value affects the interrupt period. When the time error adjustment function is used, the interrupt generation period after adjustment is added or subtracted according to the adjustment value.

Figure 9 - 66 Using Periodic Interrupt Function



9.6.3 RTCOUT (1-Hz/64-Hz) clock output

Stopping/restarting or resetting counter operation, reset by RTC software, and the 30-second adjustment by changing the RCR2 value affects the period of RTCOUT (1-Hz/64-Hz) output. When the time error adjustment function is used, the period of RTCOUT (1-Hz/64-Hz) output after adjustment is added or subtracted according to the adjustment value.

9.6.4 Transitions to low power consumption modes after setting registers

<R> A transition to a low power consumption state (STOP mode) during writing to or updating of an RTC register might destroy the register's value. After setting a register, confirm that the setting is in place before initiating a transition to a low power consumption state.

9.6.5 Notes when writing to and reading from registers

- When reading a counter register such as the second counter after having written to the counter register, follow the procedure in section 9.3.6, Reading 64-Hz counter and time.
- The value written to the count registers, alarm registers, year alarm enable register, bits RCR2.AADJE, AADJP, and HR24, or RCR3 and RCR4 register are reflected when four read operations are performed after writing.
- The values written to the RCR1.CIE, RTCOS, and RCR2.RTCOE bits can be read immediately after writing.
- To read the value from the timer counter after return from a reset, period in STOP mode, or the battery backup state, wait for 1/128 second while the clock is operating (RCR2.START bit = 1).
- After a reset is generated, write to the RTC register when six cycles of the count source clock have elapsed. When the power supply is stopped from the VRTC pin, setting an RTC related register is prohibited.

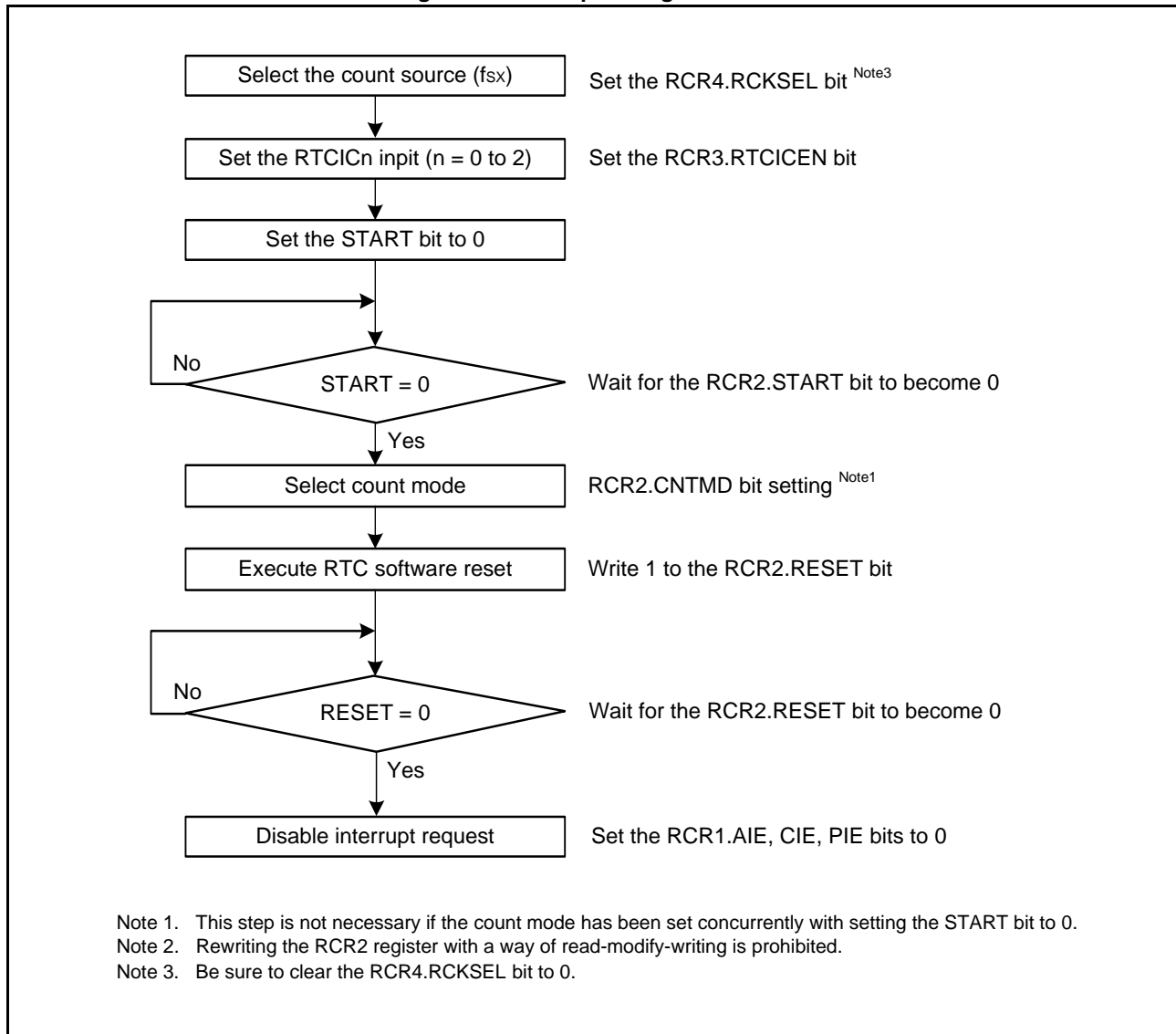
9.6.6 Changing the count mode

<R> When changing the count mode (calendar/binary), set the RCR2.START bit to 0, stop counting operation, then start again from the initial setting. For details on initial setting, refer to section 9.3.1, Outline of initial settings of registers after power on.

9.6.7 Stop procedure

The realtime clock with independent power supply of RL78/I1C is operating from the product power-on. When it is not used, stop it according to following procedure shown in Figure 9 - 67.

Figure 9 - 67 Stop Setting Procedure



9.6.8 Caution of shortwave detection function

When supply voltage from the V_{DD} or V_{BAT} type supply voltage pins is shut off, the shortwave detection (RTCICn) function cannot be used.

CHAPTER 10 FREQUENCY MEASURE CIRCUIT

10.1 Frequency Measurement Circuit

The frequency measurement circuit is used to measure the frequency of the sub clock (fsx) or low-speed on-chip oscillator clock (fil), by inputting the high-accuracy reference clock externally.

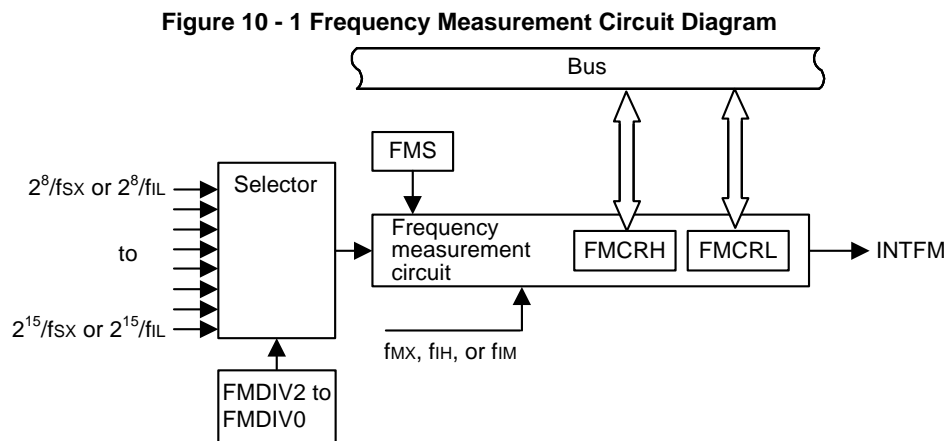
10.2 Configuration of Frequency Measurement Circuit

The frequency measurement circuit includes the following hardware.

Table 10 - 1 Configuration of Frequency Measurement Circuit

Item	Configuration
Counter	Counter (32-bit)
Control registers	Peripheral enable register 1 (PER1)
	Subsystem clock supply option control register (OSMC)
	Frequency measurement count register L (FMCRL)
	Frequency measurement count register H (FMCRH)
	Frequency measurement control register (FMCTL)
	Frequency measurement clock select register (FMCKS)

Figure 10 - 1 shows the Frequency Measurement Circuit Diagram.



10.3 Registers Controlling Frequency Measurement Circuit

The frequency measurement circuit is controlled by the following registers.

- Peripheral enable register 1 (PER1)
- Subsystem clock supply option control register (OSMC)
- Frequency measurement count register L (FMCRL)
- Frequency measurement count register H (FMCRH)
- Frequency measurement control register (FMCTL)
- Frequency measurement clock select register (FMCKS)

10.3.1 Peripheral enable register 1 (PER1)

This register is used to enable or disable supplying the clock to the register used for the frequency measurement circuit. Clock supply to a hardware macro that is not used is stopped in order to reduce the power consumption and noise.

Of the registers that are used to control the frequency measurement circuit can be set by setting bit 6 (FMCEN) of this register to 1.

The PER1 register can be set by a 1-bit or 8-bit memory manipulation instruction.

Reset signal generation clears this register to 00H.

Figure 10 - 2 Format of Peripheral enable register 1 (PER1)

Address: F00FAH After reset: 00H R/W

Symbol	7	<6>	5	4	<3>	2	1	<0>
PER1	0	FMCEN	0	0	DTCEN	0	0	DSADCEN

FMCEN	Control of frequency measurement circuit input clock supply
0	Stops input clock supply. • SFR used by the frequency measurement circuit cannot be written. The read value is 00H. • The frequency measurement circuit and SFR are in the reset state.
1	Enables input clock supply. • SFR used by the frequency measurement circuit can be read and written.

Caution 1. Be sure to clear the following bits to 0.

Bits 7, 5, 4, 2, and 1

Caution 2. Do not change the target bit in the PER1 register while operation of each peripheral function is enabled. Change the setting specified by PER1 while operation of each peripheral function assigned to PER1 is stopped.

10.3.2 Subsystem clock supply option control register (OSMC)

This register is used to reduce power consumption by stopping unnecessary clock functions.

If the RTCLPC bit is set to 1, power consumption can be reduced, because clock supply to the peripheral functions, except the independent power supply RTC, 12-bit interval timer, 8-bit interval timer, clock output/buzzer output controller, LCD controller/driver, oscillation stop detection circuit, and frequency measurement circuit is stopped in STOP mode or HALT mode while sub clock (f_{sx}) is selected as CPU clock.

In addition, the OSMC register can be used to select the operating clock of the 12-bit interval timer, 8-bit interval timer, clock output/buzzer output controller, LCD controller/driver, and frequency measurement circuit.

The OSMC register can be set by a 1-bit or 8-bit memory manipulation instruction.

Reset signal generation clears this register to 00H.

Figure 10 - 3 Format of Subsystem clock supply option control register (OSMC)

Address: F00F3H After reset: 00H R/W Note 1

Symbol <7> 6 5 <4> 3 2 1 0

OSMC	RTCLPC	0	0	WUTMMCK0	0	0	0	0
------	--------	---	---	----------	---	---	---	---

WUTMMCK0	Selection of the operating clock for the 12-bit interval timer, 8-bit interval timer, LCD controller/driver, and frequency measurement circuit	Selection of the count operation/stop trigger clock for the frequency measurement circuit	Selection of the output clock for the clock output/buzzer output controller
0	Sub clock (f_{sx})	Sub clock (f_{sx}) selected	Sub clock (f_{sx})
1	Low-speed on-chip oscillator clock (f_{iL}) Notes 2, 3, 5, 6	Low-speed on-chip oscillator clock (f_{iL}) selected Note 5	Clock output is prohibited. Note 4

- Note 1.** Be sure to clear bits 6, 5, and 3 to 0 to 0.
- Note 2.** Do not set the WUTMMCK0 bit to 1 while the sub clock (f_{sx}) is oscillating.
- Note 3.** Switching between the sub clock (f_{sx}) and the low-speed on-chip oscillator clock (f_{iL}) can be enabled by the WUTMMCK0 bit only when all of the 12-bit interval timer, 8-bit interval timer, clock output/buzzer output controller, LCD controller/driver, and frequency measurement circuit are stopped.
- Note 4.** When the WUTMMCK0 bit is set to 1, clock output from the PCLBUZn pin is prohibited.
- Note 5.** When the WUTMMCK0 bit is set to 1, the low-speed on-chip oscillator clock (f_{iL}) oscillates.
- Note 6.** When the WUTMMCK0 bit is set to 1, internal voltage boosting cannot be used for the LCD drive voltage generator of the LCD controller/driver.

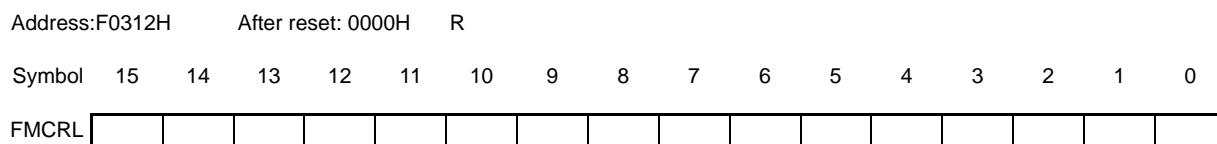
10.3.3 Frequency measurement count register L (FMCRL)

This register represents the lower 16 bits of the frequency measurement count register (FMCRL) in the frequency measurement circuit.

The FMCRL register can be read by a 16-bit memory manipulation instruction.

Reset signal generation clears the FMCRL register to 0000H.

Figure 10 - 4 Format of Frequency measurement count register L (FMCRL)



Caution 1. Do not read the value of FMCRL when FMS = 1.

Caution 2. Read the value of FMCRL after the frequency measurement complete interrupt is generated.

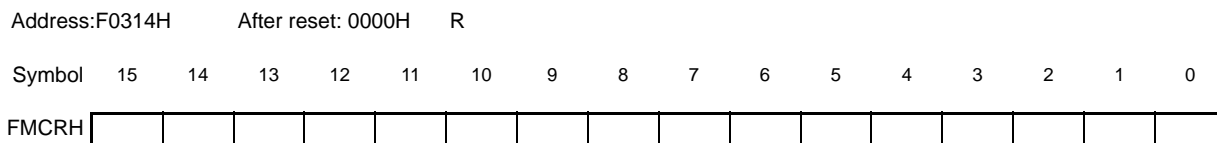
10.3.4 Frequency measurement count register H (FMCRH)

This register represents the upper 16 bits of the frequency measurement count register (FMCRH) in the frequency measurement circuit.

The FMCRH register can be read by a 16-bit memory manipulation instruction.

Reset signal generation clears the FMCRH register to 0000H.

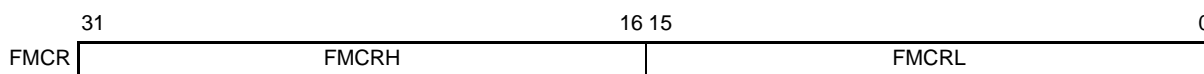
Figure 10 - 5 Format of Frequency measurement count register H (FMCRH)



Caution 1. Do not read the value of FMCRH when FMS = 1.

Caution 2. Read the value of FMCRH after the frequency measurement complete interrupt is generated.

Figure 10 - 6 Frequency Measurement Count Register (FMCRH, FMCRL)



10.3.5 Frequency measurement control register (FMCTL)

The FMCTL register is used to set the operation of the frequency measurement circuit. This register is used to start operation and set the period of frequency measurement.

The FMCTL register can be set by a 1-bit or 8-bit memory manipulation instruction.

Reset signal generation clears the FMCTL register to 00H.

Figure 10 - 7 Format of Frequency measurement control register (FMCTL)

Address:F0316H After reset: 00H R/W

Symbol <7> 6 5 4 3 2 1 0

FMCTL	FMS	0	0	0	0	FMDIV2	FMDIV1	FMDIV0
-------	-----	---	---	---	---	--------	--------	--------

FMS	Frequency measurement circuit operation enable
0	Stops the frequency measurement circuit.
1	Operates the frequency measurement circuit. Starts counting on the rising edge of the operating clock and stops counting on the next rising edge of the operating clock.

FMDIV2	FMDIV1	FMDIV0	Frequency measurement period setting
0	0	0	$2^8/f_{sx}$ or $2^8/f_{iL}$ (7.8125 ms)
0	0	1	$2^9/f_{sx}$ or $2^9/f_{iL}$ (15.625 ms)
0	1	0	$2^{10}/f_{sx}$ or $2^{10}/f_{iL}$ (31.25 ms)
0	1	1	$2^{11}/f_{sx}$ or $2^{11}/f_{iL}$ (62.5 ms)
1	0	0	$2^{12}/f_{sx}$ or $2^{12}/f_{iL}$ (0.125 s)
1	0	1	$2^{13}/f_{sx}$ or $2^{13}/f_{iL}$ (0.25 s)
1	1	0	$2^{14}/f_{sx}$ or $2^{14}/f_{iL}$ (0.5 s)
1	1	1	$2^{15}/f_{sx}$ or $2^{15}/f_{iL}$ (1s)

Caution Do not read the value of the FMDIV2 to FMDIV0 bits when FMS = 1.

Remark The frequency measurement resolution can be calculated by the formula below.

- Frequency measurement resolution = $10^6 / (\text{frequency measurement period} \times \text{reference clock frequency } (f_{mx}) \text{ [Hz]})$ [ppm]

Example 1) When FMDIV2 to FMDIV0 = 000B and f_{mx} = 20 MHz, measurement resolution = 6.4 ppm

Example 2) When FMDIV2 to FMDIV0 = 111B and f_{mx} = 1 MHz, measurement resolution = 1 ppm

10.3.6 Frequency measurement clock select register (FMCKS)

The FMCKS register is used to select the operating clock and frequency count clock to be input to the frequency measurement circuit.

The FMCKS register can be used by a 1-bit or 8-bit memory manipulation instruction.

Reset signal generation clears the FMCKS register to 00H.

Figure 10 - 8 Format of Frequency measurement clock select register (FMCKS)

Address: F007AH After reset: 00H R/W

Symbol 7 6 5 4 3 2 1 0

FMCKS	0	0	0	0	0	0	FMCKSEL1	FMCKSEL0
-------	---	---	---	---	---	---	----------	----------

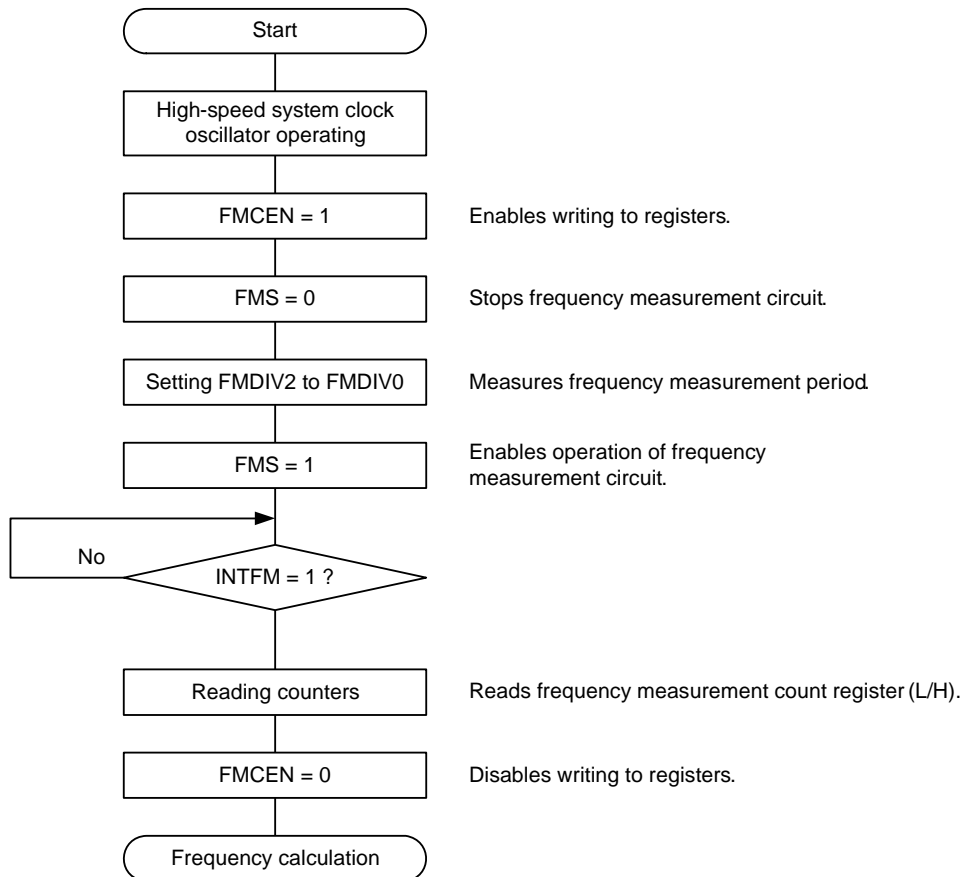
FMCKSEL1	FMCKSEL0	Selection of frequency count clock
0	0	fmx selected
0	1	fim selected
1	x	fiH selected

10.4 Frequency Measurement Circuit Operation

10.4.1 Setting frequency measurement circuit

Set frequency measurement circuit after setting 0 to FMS first.

Figure 10 - 9 Procedure for Setting Frequency Measurement Circuit Using Reference Clock



Caution After the frequency measurement count register (L/H) is read, be sure to set FMCEN to 0.

The fsx or fIL oscillation frequency is calculated by using the following expression.

$$\text{fsx or fIL oscillation frequency} = \frac{\text{Reference clock frequency [Hz]} \times \text{operation trigger division ratio}}{\text{Frequency measurement count register value (FMCR)}} \text{ [Hz]}$$

For example, when the frequency is measured under the following conditions

- Count clock frequency: f_{MX} = 10 MHz
- Frequency measurement period setting register: FMDIV2 to FMDIV0 = 111B (operation trigger division ratio: 2¹⁵)

and the measurement result is as follows,

- Frequency measurement count register: FMCR = 10000160D

the fsx or fIL oscillation frequency is obtained as below.

$$\text{fsx or fIL oscillation frequency} = \frac{(10 \times 10^6) \times 2^{15}}{10000160} = 32767.47572 \text{ [Hz]}$$

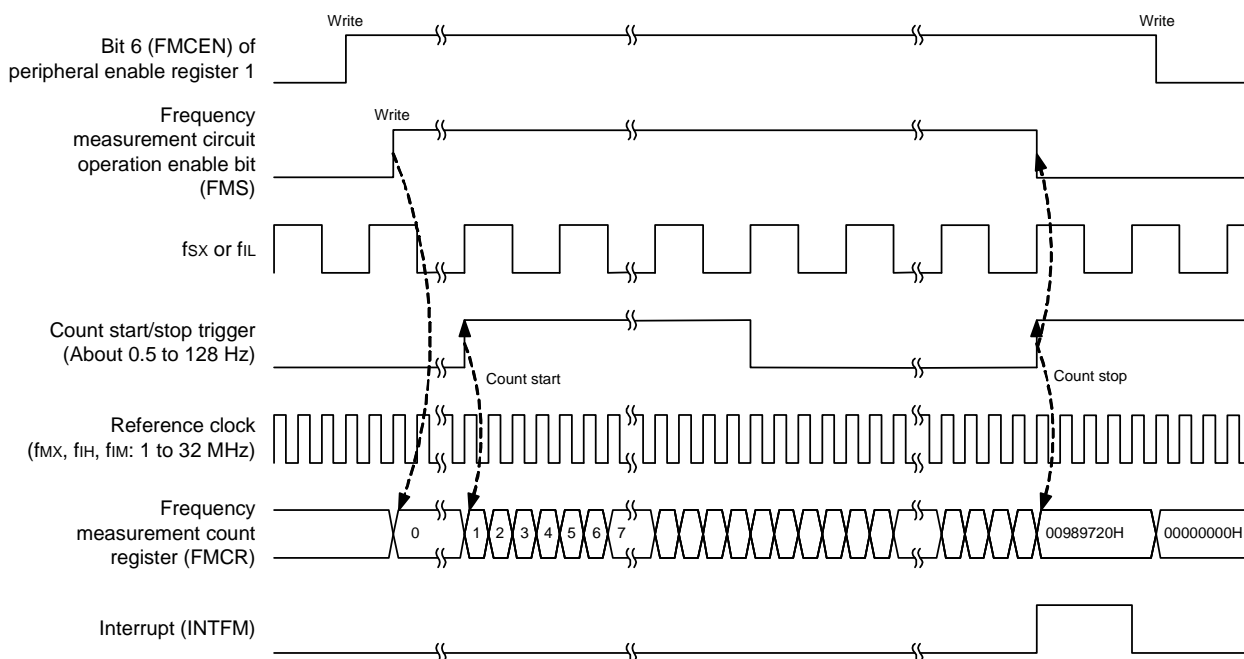
10.4.2 Frequency measurement circuit operation timing

The operation timing of the frequency measurement circuit is shown in Figure 10 - 10.

After the frequency measurement circuit operation enable bit (FMS) is set to 1, counting is started by the count start trigger set with the frequency measurement period setting bits (FMDIV2 to FMDIV0) and stopped by the next trigger. After counting is stopped, the count value is retained, and the frequency measurement circuit operation enable bit (FMS) is reset to 0. An interrupt is also generated for one clock of fs_x or fi_L . After the operation of the frequency measurement circuit is completed (FMS = 0) and the frequency measurement count register (L/H) is read, be sure to set bit 6 (FMCEN) of peripheral enable register 1 to 0.

<R>

Figure 10 - 10 Frequency Measurement Circuit Operation Timing



CHAPTER 11 12-BIT INTERVAL TIMER

11.1 Functions of 12-bit Interval Timer

An interrupt (INTIT) is generated at any previously specified time interval. It can be utilized for wakeup from STOP mode and triggering an A/D converter's SNOOZE mode.

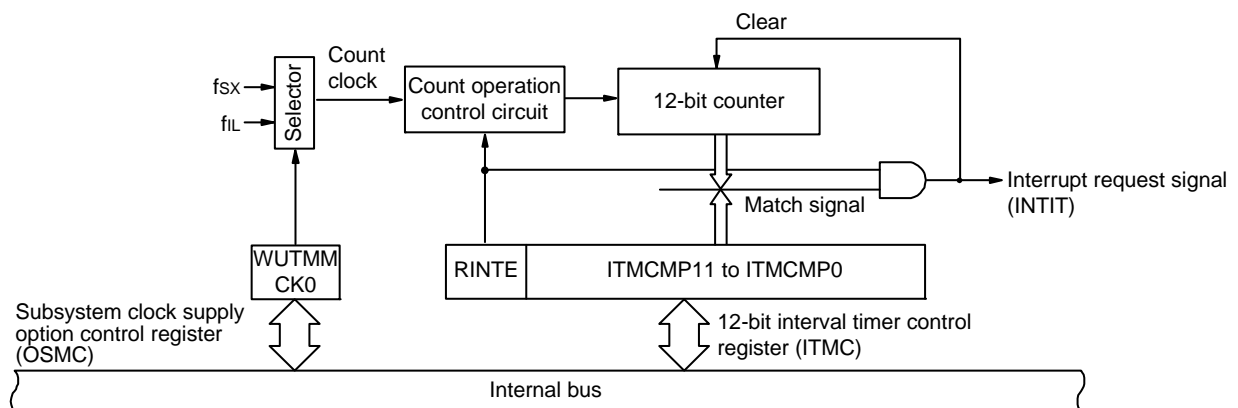
11.2 Configuration of 12-bit Interval Timer

The 12-bit interval timer includes the following hardware.

Table 11 - 1 Configuration of 12-bit Interval Timer

Item	Configuration
Counter	12-bit counter
Control registers	Peripheral enable register 2 (PER2)
	Peripheral reset control register 2 (PRR2)
	Subsystem clock supply option control register (OSMC)
	12-bit interval timer control register (ITMC)

Figure 11 - 1 Block Diagram of 12-bit Interval Timer



11.3 Registers Controlling 12-bit Interval Timer

The 12-bit interval timer is controlled by the following registers.

- Peripheral enable register 2 (PER2)
- Peripheral reset control register 2 (PRR2)
- Subsystem clock supply option control register (OSMC)
- 12-bit interval timer control register (ITMC)

11.3.1 Peripheral enable register 2 (PER2)

This register is used to enable or disable supplying the clock to the peripheral hardware. Clock supply to a hardware macro that is not used is stopped in order to reduce the power consumption and noise.

When the 12-bit interval timer is used, be sure to set bit 7 (TMKAEN) of this register to 1.

The PER2 register can be set by a 1-bit or 8-bit memory manipulation instruction.

Reset signal generation clears this register to 00H.

Figure 11 - 2 Format of Peripheral enable register 2 (PER2)

Address: F00FCH After reset: 00H R/W

Symbol <7> <6> 5 4 3 <2> 1 <0>

PER2	TMKAEN	OSDCEN	0	0	0	MACEN	0	VRTCEN
------	--------	--------	---	---	---	-------	---	--------

TMKAEN	Control of 12-bit interval timer input clock supply
0	Stops input clock supply. • SFR used by the 12-bit interval timer cannot be written. The read value is 00H. However, the SFR is not initialized. <i>Note</i>
1	Enables input clock supply. • SFR used by the 12-bit interval timer can be read and written.

Note To initialize the 12-bit interval timer and the SFR used by the 12-bit interval timer, use bit 7 (TMKARES) of PRR2.

Caution 1. Be sure to clear the following bits to 0.
Bits 5 to 3 and 1

Caution 2. Do not change the target bit in the PER2 register while operation of each peripheral function is enabled. Change the setting specified by PER2 while operation of each peripheral function assigned to PER2 is stopped (except for FMCEN).

11.3.2 Peripheral reset control register 2 (PRR2)

This register is used for individual reset control of each peripheral hardware.
 This MCU controls reset and reset release of each peripheral hardware supported by the PRR2 register.
 To reset the 12-bit interval timer, be sure to set bit 7 (TMKARES) to 1.
 The PRR2 register can be set by a 1-bit or 8-bit memory manipulation instruction.
 Reset signal generation clears this register to 00H.

Figure 11 - 3 Format of Peripheral reset control register 2 (PRR2)

Address: F00FDH	After reset: 00H	R/W						
Symbol	<7>	<6>	5	4	3	<2>	1	0
PRR2	TMKARES	OSDCRES	0	0	0	MACRES	0	0
TMKARES	Reset control of 12-bit interval timer							
0	12-bit interval timer reset release							
1	12-bit interval timer reset state							

11.3.3 Subsystem clock supply option control register (OSMC)

The WUTMMCK0 bit can be used to select the 12-bit interval timer operation clock.

The OSMC register can be set by an 8-bit memory manipulation instruction.

Reset signal generation clears this register to 00H.

Figure 11 - 4 Format of Subsystem clock supply option control register (OSMC)

Address: F00F3H After reset: 00H R/W Note 1

Symbol <7> 6 5 <4> 3 2 1 0

OSMC	RTCLPC	0	0	WUTMMCK0	0	0	0	0
------	--------	---	---	----------	---	---	---	---

WUTMMCK0	Selection of the operating clock for the 12-bit interval timer, 8-bit interval timer, LCD controller/driver, and frequency measurement circuit	Selection of the count operation/stop trigger clock for the frequency measurement circuit	Selection of the output clock for the clock output/buzzer output controller
0	Sub clock (f _{sx})	Sub clock (f _{sx}) selected	Sub clock (f _{sx})
1	Low-speed on-chip oscillator clock (f _{IL}) Notes 2, 3, 5, 6	Low-speed on-chip oscillator clock (f _{IL}) selected Note 5	Clock output is prohibited. Note 4

Note 1. Be sure to clear bits 6, 5, and 3 to 0 to 0.

Note 2. Do not set the WUTMMCK0 bit to 1 while the sub clock (f_{sx}) is oscillating.

Note 3. Switching between the sub clock (f_{sx}) and the low-speed on-chip oscillator clock (f_{IL}) can be enabled by the WUTMMCK0 bit only when all of the 12-bit interval timer, 8-bit interval timer, clock output/buzzer output controller, LCD controller/driver, and frequency measurement circuit are stopped.

Note 4. When the WUTMMCK0 bit is set to 1, clock output from the PCLBUZn pin is prohibited.

Note 5. When the WUTMMCK0 bit is set to 1, the low-speed on-chip oscillator clock (f_{IL}) oscillates.

Note 6. When the WUTMMCK0 bit is set to 1, internal voltage boosting cannot be used for the LCD drive voltage generator of the LCD controller/driver.

11.3.4 12-bit interval timer control register (ITMC)

This register is used to set up the starting and stopping of the 12-bit interval timer operation and to specify the timer compare value.

The ITMC register can be set by a 16-bit memory manipulation instruction.

Reset signal generation clears this register to 0FFFH.

Figure 11 - 5 Format of 12-bit interval timer control register (ITMC)

Address: FFF90H After reset: 0FFFH R/W

Symbol 15 14 13 12 11 to 0

ITMC	RINTE	0	0	0	ITCMP11 to ITCMP0
RINTE	12-bit interval timer operation control				
0	Count operation stopped (count clear)				
1	Count operation started				
ITCMP11 to ITCMP0	Specification of the 12-bit interval timer compare value				
001H	These bits generate a fixed-cycle interrupt (count clock cycles x (ITCMP setting + 1)).				
•					
•					
FFFH					
000H	Setting prohibit				
Example interrupt cycles when 001H or FFFH is specified for ITCMP11 to ITCMP0 <ul style="list-style-type: none"> ITCMP11 to ITCMP0 = 001H, count clock: when $f_{SUB} = 32.768 \text{ kHz}$ $1/32.768 \text{ [kHz]} \times (1 + 1) = 0.06103515625 \text{ [ms]} \cong 61.03 \text{ [}\mu\text{s]}$ ITCMP11 to ITCMP0 = FFFH, count clock: when $f_{SUB} = 32.768 \text{ kHz}$ $1/32.768 \text{ [kHz]} \times (4095 + 1) = 125 \text{ [ms]}$ 					

<R>

- Caution 1.** Before changing the RINTE bit from 1 to 0, use the interrupt mask flag register to disable the INTIT interrupt servicing. When the operation starts (from 0 to 1) again, clear the TMKAIF flag, and then enable the interrupt servicing.
- Caution 2.** The value read from the RINTE bit is applied one count clock cycle after setting the RINTE bit.
- Caution 3.** When setting the RINTE bit after returned from standby mode and entering standby mode again, confirm that the written value of the RINTE bit is reflected, or wait that more than one clock of the count clock has elapsed after returned from standby mode. Then enter standby mode.
- Caution 4.** Only change the setting of the ITCMP11 to ITCMP0 bits when RINTE = 0.
 However, it is possible to change the settings of the ITCMP11 to ITCMP0 bits at the same time as when changing RINTE from 0 to 1 or 1 to 0.

11.4 12-bit Interval Timer Operation

11.4.1 12-bit interval timer operation timing

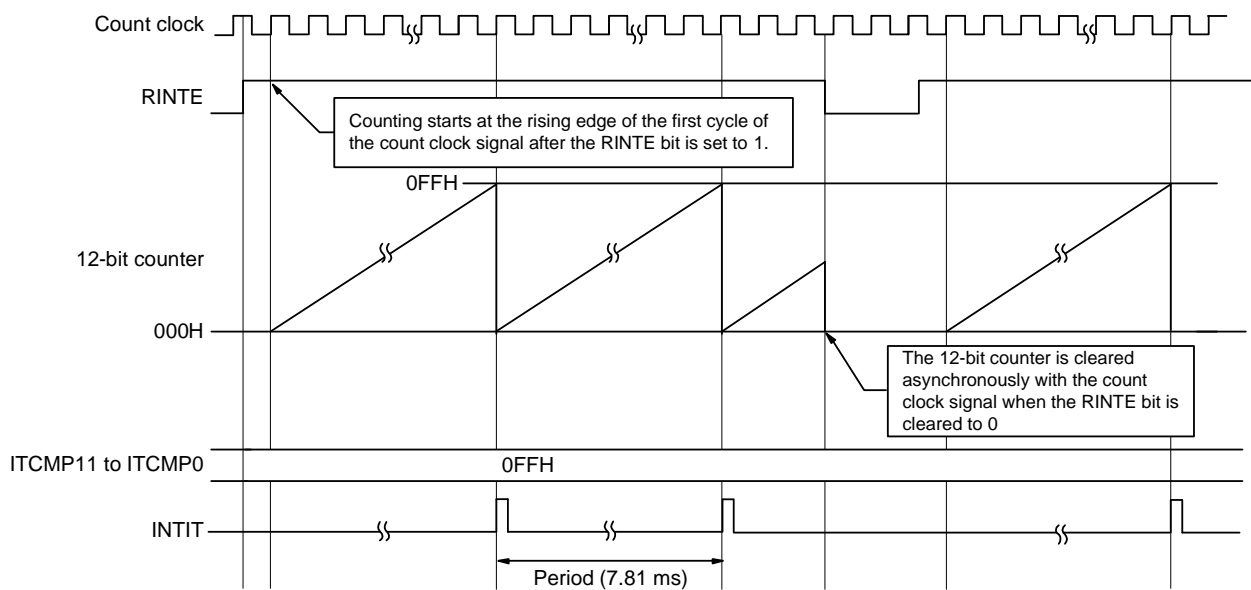
The count value specified for the ITCMP11 to ITCMP0 bits is used as an interval to operate an 12-bit interval timer that repeatedly generates interrupt requests (INTIT).

When the RINTE bit is set to 1, the 12-bit counter starts counting.

When the 12-bit counter value matches the value specified for the ITCMP11 to ITCMP0 bits, the 12-bit counter value is cleared to 0, counting continues, and an interrupt request signal (INTIT) is generated at the same time.

The basic operation of the 12-bit interval timer is as follows.

Figure 11 - 6 12-bit Interval Timer Operation Timing (ITCMP11 to ITCMP0 = 0FFH, count clock: $f_{sub} = 32.768$ kHz)



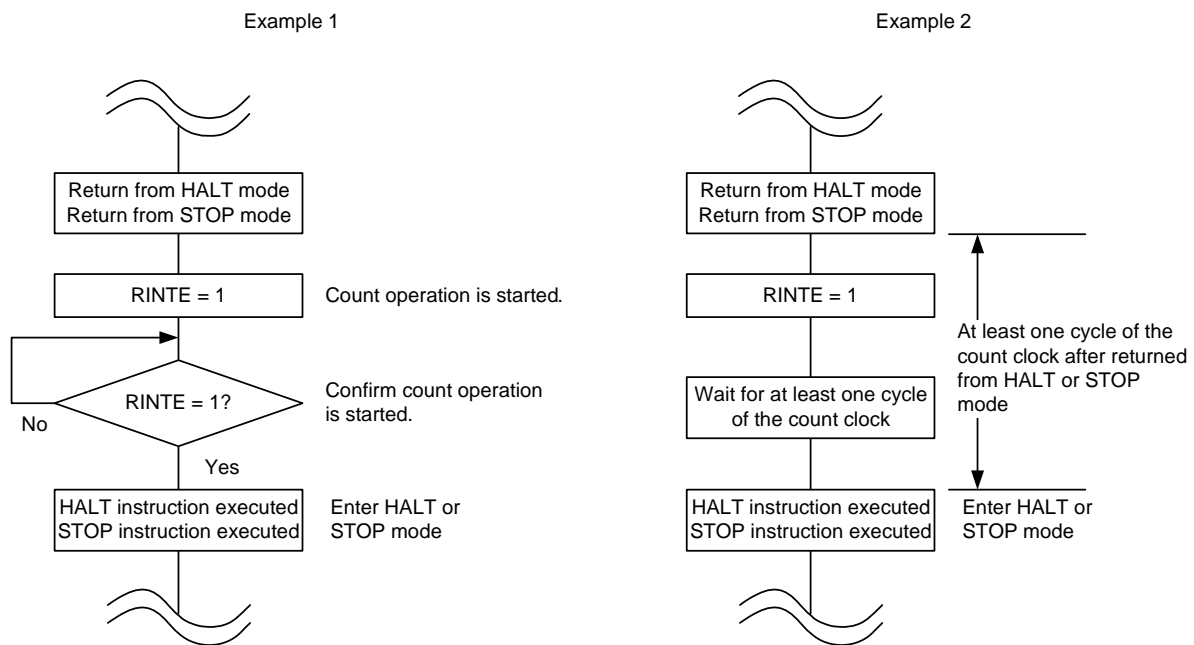
11.4.2 Start of count operation and re-enter to HALT/STOP mode after returned from HALT/STOP mode

When setting the RINTE bit after returned from HALT or STOP mode and entering HALT or STOP mode again, write 1 to the RINTE bit, and confirm the written value of the RINTE bit is reflected or wait for at least one cycle of the count clock.

Then, enter HALT or STOP mode.

- After setting RINTE to 1, confirm by polling that the RINTE bit has become 1, and then enter HALT or STOP mode (see **Example 1** in **Figure 11 - 7**).
- After setting RINTE to 1, wait for at least one cycle of the count clock and then enter HALT or STOP mode (see **Example 2** in **Figure 11 - 7**).

Figure 11 - 7 Procedure of entering to HALT or STOP mode after setting RINTE to 1



CHAPTER 12 8-BIT INTERVAL TIMER

The 8-bit interval timer has two 8-bit timers (channel 0 and channel 1) which operate independently. These timers can be connected to operate as a 16-bit timer.

The 8-bit interval timer contains two units, 8-bit interval timer_0 and 8-bit interval timer_1, which have the same function. This chapter describes these units as the 8-bit interval timer unless there are differences among them.

12.1 Overview

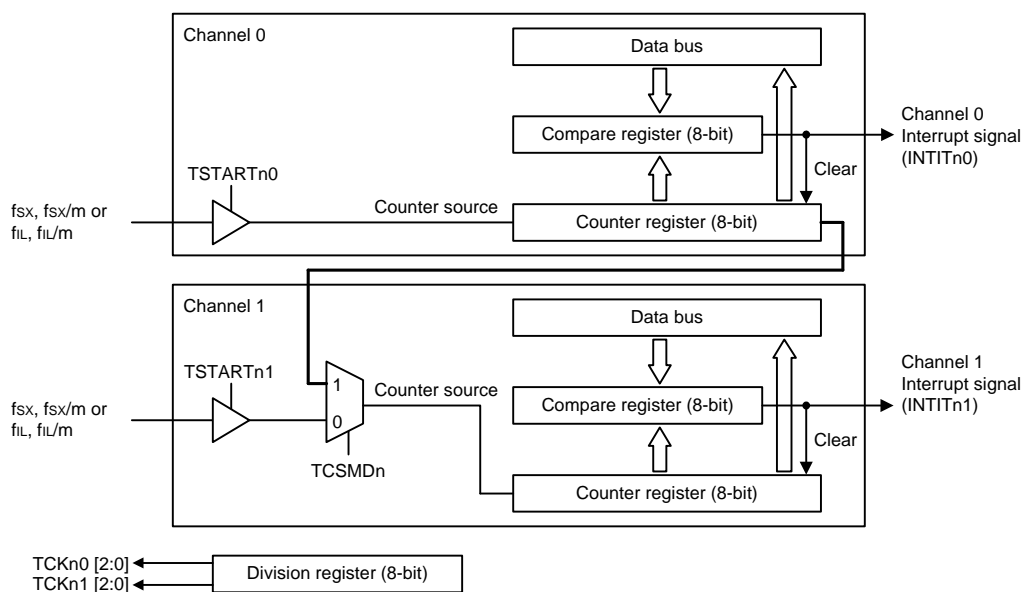
The 8-bit interval timer is an 8-bit timer that operates using the fsx or fil clock that is asynchronous with the CPU.

Table 12 - 1 lists the 8-Bit Interval Timer Specifications and Figure 12 - 1 shows the 8-Bit Interval Timer Block Diagram.

Table 12 - 1 8-Bit Interval Timer Specifications

Item	Description
Count source (operating clock)	<ul style="list-style-type: none"> • fsx, fsx/2, fsx/4, fsx/8, fsx/16, fsx/32, fsx/64, fsx/128 • fil, fil/2, fil/4, fil/8, fil/16, fil/32, fil/64, fil/128
Operating mode	<ul style="list-style-type: none"> • 8-bit counter mode Channel 0 and channel 1 operate independently as an 8-bit counter • 16-bit counter mode Channel 0 and channel 1 are connected to operate as a 16-bit counter
Interrupt	<ul style="list-style-type: none"> • Output when the counter matches the compare value

Figure 12 - 1 8-Bit Interval Timer Block Diagram



TSTARTni (i = 0, 1), TCSMDn, TCLKENn: Bits in TRTCRn register

TCKni [2:0]: Bit in TRTMDn register

Remark m = 2, 4, 8, 16, 32, 64, 128
n = 0, 1

12.2 I/O Pins

The 8-bit interval timer does not have an I/O pin.

12.3 Registers

Table 12 - 2 lists the 8-Bit Interval Timer Register Configuration.

Table 12 - 2 Registers

Item	Configuration
Control registers	8-bit interval timer counter register 00 (TRT00) Note 1
	8-bit interval timer counter register 01 (TRT01) Note 1
	8-bit interval timer counter register 0 (TRT0) Note 2
	8-bit interval timer compare register 00 (TRTCMP00) Note 1
	8-bit interval timer compare register 01 (TRTCMP01) Note 1
	8-bit interval timer compare register 0 (TRTCMP0) Note 2
	8-bit interval timer control register 0 (TRTCR0)
	8-bit interval timer division register 0 (TRTMD0)
	8-bit interval timer counter register 10 (TRT10) Note 1
	8-bit interval timer counter register 11 (TRT11) Note 1
	8-bit interval timer counter register 1 (TRT1) Note 2
	8-bit interval timer compare register 10 (TRTCMP10) Note 1
	8-bit interval timer compare register 11 (TRTCMP11) Note 1
	8-bit interval timer compare register 1 (TRTCMP1) Note 2
	8-bit interval timer control register 1 (TRTCR1)
	8-bit interval timer division register 1 (TRTMD1)

Note 1. Can be accessed only when the TCSMDn bit in the TRTCRn register = 0.

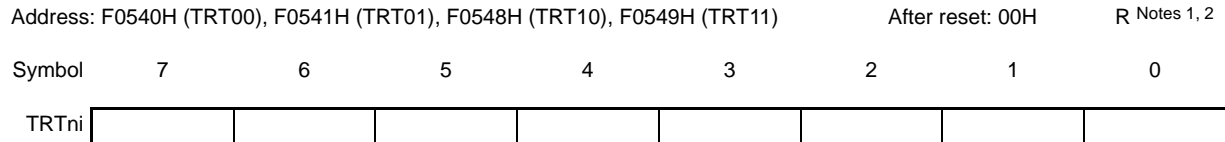
Note 2. Can be accessed only when the TCSMDn bit in the TRTCRn register = 1.

Remark n = 0, 1

12.3.1 8-bit interval timer counter register ni (TRTni) (n = 0, 1, i = 0, 1)

This is the 8-bit interval timer counter register. It is used as a counter that counts up based on the count clock. The TRTni register can be set by an 8-bit memory manipulation instruction. Reset signal generation clears this register to 00H.

Figure 12 - 2 Format of 8-bit interval timer counter register ni (TRTni)

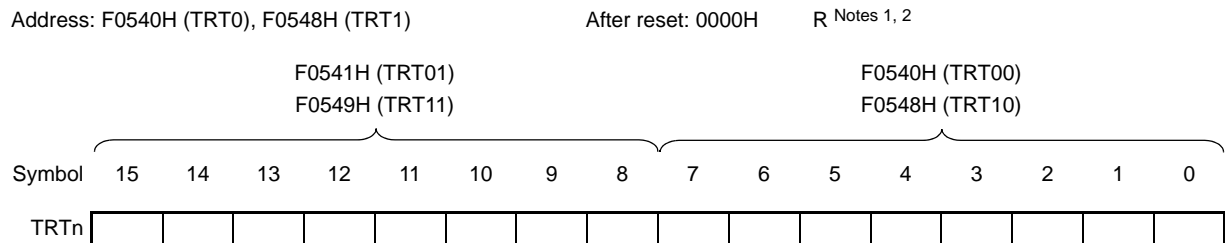


- Note 1.** The TRTni register is set to 00H two cycles of the count clock after the compare register TRTCMPni is write-accessed. Refer to **12.4.4 Timing for updating compare register values**.
- Note 2.** Can be accessed only when the mode select bit (TCSMDn) in the 8-bit interval timer control register n (TRTCRn) is 0.

12.3.2 8-bit interval timer counter register n (TRTn) (n = 0, 1)

This is a 16-bit counter register when the 8-bit interval timer is used in 16-bit interval timer mode. The TRTn register can be set by a 16-bit memory manipulation instruction. Reset signal generation sets this register to 0000H.

Figure 12 - 3 Format of 8-bit interval timer counter register n (TRTn)

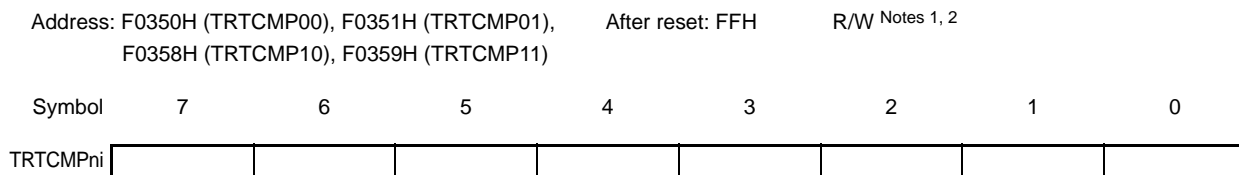


- Note 1.** The TRTn register is set to 0000H two cycles of the count clock after the compare register TRTCMPn is write-accessed. Refer to **12.4.4 Timing for updating compare register values**.
- Note 2.** Can be accessed only when the mode select bit (TCSMDn) in the 8-bit interval timer control register n (TRTCRn) is 0.

12.3.3 8-bit interval timer compare register ni (TRTCMPni) (n = 0, 1, i = 0, 1)

This is the 8-bit interval timer compare value register.
 The TRTCMPni register can be set by an 8-bit memory manipulation instruction.
 Reset signal generation sets this register to FFH.
 The setting range is 01H to FFH ^{Note 1}.
 This register is used to store the compare value of registers TRTn0 and TRTn1 (counters).
 Write-access clears the count value (TRTn0, TRTn1) to 00H.
 Refer to **12.4.4 Timing for updating compare register values** for the timing of rewriting the compare value.

Figure 12 - 4 Format of 8-bit interval timer compare register ni (TRTCMPni)



- Note 1.** The TRTCMPni register must not be set to 00H.
- Note 2.** Can be accessed only when the mode select bit (TCSMDn) in the 8-bit interval timer control register n (TRTCRn) is 0.

12.3.4 8-bit interval timer compare register n (TRTCMPn) (n = 0, 1)

This is a compare value register when the 8-bit interval timer is used in 16-bit interval timer mode.
 The TRTCMPn register can be set by a 16-bit memory manipulation instruction.
 Reset signal generation sets this register to FFFFH.
 The setting is 0001H to FFFFH ^{Note 1}.
 This register is used to store the compare value of the TRTn register (counter).
 Write-access clears the count value (TRTn) to 0000H.
 Refer to **12.4.4 Timing for updating compare register values** for the timing of rewriting the compare value.

Figure 12 - 5 Format of 8-bit interval timer compare register n (TRTCMPn)



- Note 1.** The TRTCMPn register must not be set to 0000H.
- Note 2.** Can be accessed only when the mode select bit (TCSMDn) in the 8-bit interval timer control register n (TRTCRn) is 1.

12.3.5 8-bit interval timer control register n (TRTCRn) (n = 0, 1)

This register is used to start and stop counting by the 8-bit interval timer and to switch between using the 8-bit interval timer as an 8-bit counter or a 16-bit counter.

The TRTCRn register can be set by a 1-bit or 8-bit manipulation instruction.

Reset signal generation resets this register to 00H.

Figure 12 - 6 Format of 8-bit interval timer control register n (TRTCRn)

Address: F0352H (TRTCR0), F035AH (TRTCR1)	After reset: 00H	R/W Note 3						
Symbol	7	6	5	4	3	<2>	1	<0>
TRTCRn	TCSMDn	0	0	TCLKENn	0	TSTARTn1	0	TSTARTn0
TCSMDn	Mode select							
0	Operates as 8-bit counter							
1	Operates as 16-bit counter (channel 0 and channel 1 are connected)							
Refer to 12.4 Operation for details.								
TCLKENn	8-bit interval timer clock enable Note 1							
0	Clock is stopped							
1	Clock is supplied							
TSTARTn1	8-bit interval timer 1 count start Notes 1, 2							
0	Count stops							
1	Count starts							
In 8-bit interval timer mode, writing 1 to the TSTARTn1 bit starts the TRTn1 count and writing 0 stops the count. In 16-bit interval timer mode, this bit is invalid because it is not used. Refer to 12.4 Operation for details.								
TSTARTn0	8-bit interval timer 0 count start Notes 1, 2							
0	Count stops							
1	Count starts							
In 8-bit interval timer mode, writing 1 to the TSTARTn0 bit starts the TRTn0 count and writing 0 stops the count. In 16-bit interval timer mode, writing 1 to the TSTARTn0 bit starts the TRTn count and writing 0 stops the count. Refer to 12.4 Operation for details.								

Note 1. Be sure to set the TCLKENn bit to 1 before setting the 8-bit interval timer. To stop the clock, set TSTARTn0 and TSTARTn1 to 0 and then set the TCLKENn bit to 0 after one or more cycles of the operating clock (fsx or fil) have elapsed. Refer to **12.5.3 8-bit interval timer setting procedure** for details.

Note 2. Refer to **12.5.1 Changing settings of operating mode** for the notes on using bits TSTARTn0, TSTARTn1, and TCSMDn.

Note 3. Bits 6, 5, 3, and 1 are read-only. When writing, write 0. When reading, 0 is read.

12.3.6 8-bit interval timer division register n (TRTMDn) (n = 0, 1)

This register is used to select the division ratio of the count source used by the 8-bit interval timer.

The TRTMDn register can be set by an 8-bit memory manipulation instruction.

Reset signal generation sets this register to 00H.

Figure 12 - 7 Format of 8-bit interval timer division register n (TRTMDn)

Address: F0353H (TRTMD0), F035BH (TRTMD1)	After reset: 00H	R/W Note 4						
Symbol	7	6	5	4	3	2	1	0
TRTMDn	—	TCKn1			—	TCKn0		
TCKn1			8-bit interval timer 1 division select Notes 1, 2, 3					
Bit 6	Bit 5	Bit 4						
0	0	0	fsx or fil					
0	0	1	fsx/2 or fil/2					
0	1	0	fsx/4 or fil/4					
0	1	1	fsx/8 or fil/8					
1	0	0	fsx/16 or fil/16					
1	0	1	fsx/32 or fil/32					
1	1	0	fsx/64 or fil/64					
1	1	1	fsx/128 or fil/128					
In 8-bit interval timer mode, TRTn1 counts using the count source set in TCKn1.								
In 16-bit interval timer mode, set these bits to 000 because they are not used. Refer to 12.4 Operation for details.								
TCKn0			8-bit interval timer 0 division select Notes 1, 2, 3					
Bit 2	Bit 1	Bit 0						
0	0	0	fsx or fil					
0	0	1	fsx/2 or fil/2					
0	1	0	fsx/4 or fil/4					
0	1	1	fsx/8 or fil/8					
1	0	0	fsx/16 or fil/16					
1	0	1	fsx/32 or fil/32					
1	1	0	fsx/64 or fil/64					
1	1	1	fsx/128 or fil/128					
In 8-bit interval timer mode, TRTn0 counts using the count source set in TCKn0.								
In 16-bit interval timer mode, TRTn counts using the count source set in TCKn0. Refer to 12.4 Operation for details.								

Note 1. Do not switch the count source during count operation. When switching the count source, set these bits while the TSTARTn bit in the TRTCRn register is 0 (count stops).

Note 2. Set TCKni of the unused channel to 000B.

Note 3. Be sure to set the TCKni (i = 0, 1) bit before setting the TRTCMPni register.

Note 4. Bits 7 and 3 are read-only. When writing, write 0. When reading, 0 is read.

12.4 Operation

12.4.1 Count mode

The following two modes are supported: 8-bit counter mode and 16-bit counter mode. Table 12 - 3 lists the Registers and Settings Used in 8-Bit Counter Mode and Table 12 - 4 lists the Registers and Settings Used in 16-Bit Counter Mode.

Table 12 - 3 Registers and Settings Used in 8-Bit Counter Mode

Register Name (Symbol)	Bit	Function
8-bit interval timer counter register n0 (TRTn0)	b7 to b0	8-bit counter of channel 0. The count value can be read.
8-bit interval timer counter register n1 (TRTn1)	b7 to b0	8-bit counter of channel 1. The count value can be read.
8-bit interval timer compare register n0 (TRTCMPn0)	b7 to b0	8-bit compare value of channel 0. Set the compare value.
8-bit interval timer compare register n1 (TRTCMPn1)	b7 to b0	8-bit compare value of channel 1. Set the compare value.
8-bit interval timer control register n (TRTCRn)	TSTARTn0	Select whether to start/stop the count of channel 0.
	TSTARTn1	Select whether to start/stop the count of channel 1.
	TCLKENn	Set to 1.
	TCSMDn	Set to 0.
8-bit interval timer division register n (TRTMDn)	TCKn0	Select the count clock of channel 0.
	TCKn1	Select the count clock of channel 1.

Remark n = 0, 1

Table 12 - 4 Registers and Settings Used in 16-Bit Counter Mode

Register Name (Symbol)	Bit	Function
8-bit interval timer counter register n (TRTn)	b15 to b0	16-bit counter. The count value can be read.
8-bit interval timer compare register n (TRTCMPn)	b15 to b0	16-bit compare value. Set the compare value.
8-bit interval timer control register n (TRTCRn)	TSTARTn0	Select whether to control starting/stopping the count.
	TSTARTn1	Set to 0.
	TCLKENn	Set to 1.
	TCSMDn	Set to 1.
8-bit interval timer division register n (TRTMDn)	TCKn0	Select the count clock.
	TCKn1	Set to 000B.

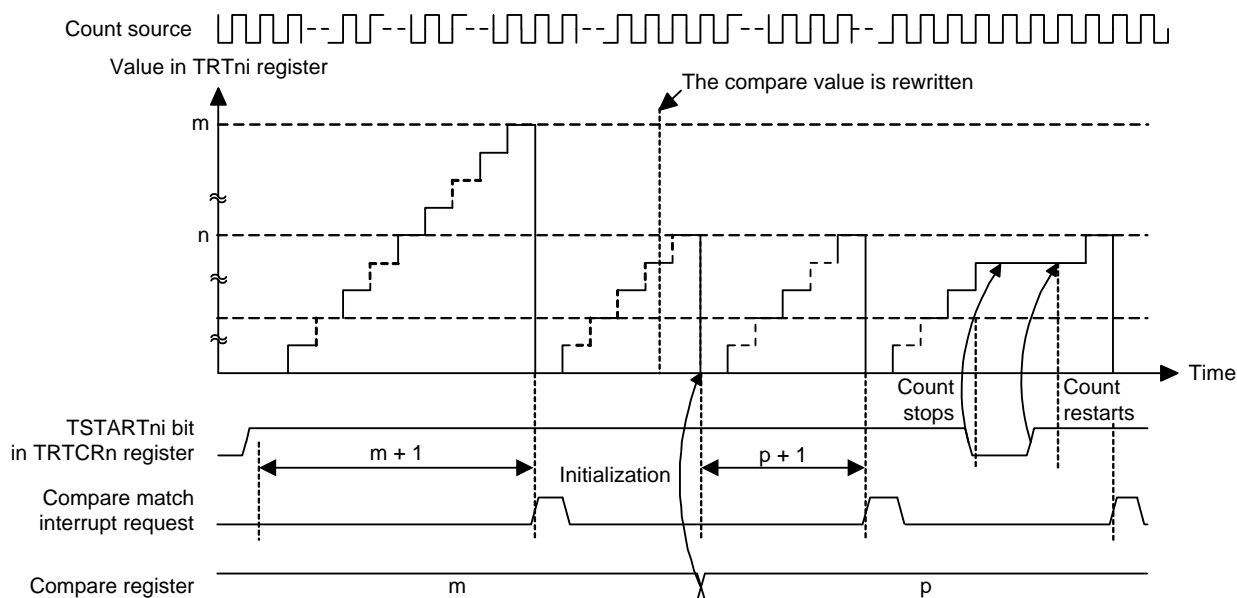
Remark n = 0, 1

12.4.2 Timer operation

The counter is incremented by the count source selected by the TCKni (n = 0, 1, i = 0, 1) bit in the division register (TRTMDn). The count value is decremented each time the count source is input. After the count value is set to the compare value, the value is compared and matched when the next count source is input, and then an interrupt is generated. The interrupt request is output with a single pulse that is synchronized with the count source. Note that the interrupt request continues to be generated when the TSTARTni bit in the TRTCRn register is set to 0 and counting is stopped at 00h.

When operation is stopped, the counter continues retaining the count value immediately before operation is stopped. To clear the count value, set the compare value in the TRTCMPni register again. After the TRTCMPni register is written, the count value is cleared after two cycles of the count source.

Figure 12 - 8 Example of Timer Operation



Remark n = 0, 1 i = 0, 1 m, p: Values set in TRTCMPni register

However, the initial 00H count interval when starting count varies as follows according to the timing 1 is written in the TSTARTni (i = 0, 1) bit of the TRTCR register.

- When the count source (fsx or fil) is selected
 - Maximum: Two cycles of the count source
 - Minimum: One cycle of the count source
- When the count source (fsx/2^m or fil/2^m) is selected
 - Maximum: One cycle of the count source
 - Minimum: One cycle of the selected clock (fsx or fil)

When the count value matches the compare value, the count value is cleared by the next count source. When the compare value in the TRTCMPnI register is rewritten, the count value is also cleared two cycles of the count source after writing.

Table 12 - 5 lists the Interrupt Sources in 8-Bit/16-Bit Count Mode.

Table 12 - 5 Interrupt Sources in 8-Bit/16-Bit Count Mode

Interrupt Name	8-Bit Count Mode Source	16-Bit Count Mode Source
INTITn0	Rising edge of the next count source after compare match of channel 0	Rising edge of the next count source after compare match
INTITn1	Rising edge of the next count source after compare match of channel 1	Not generated

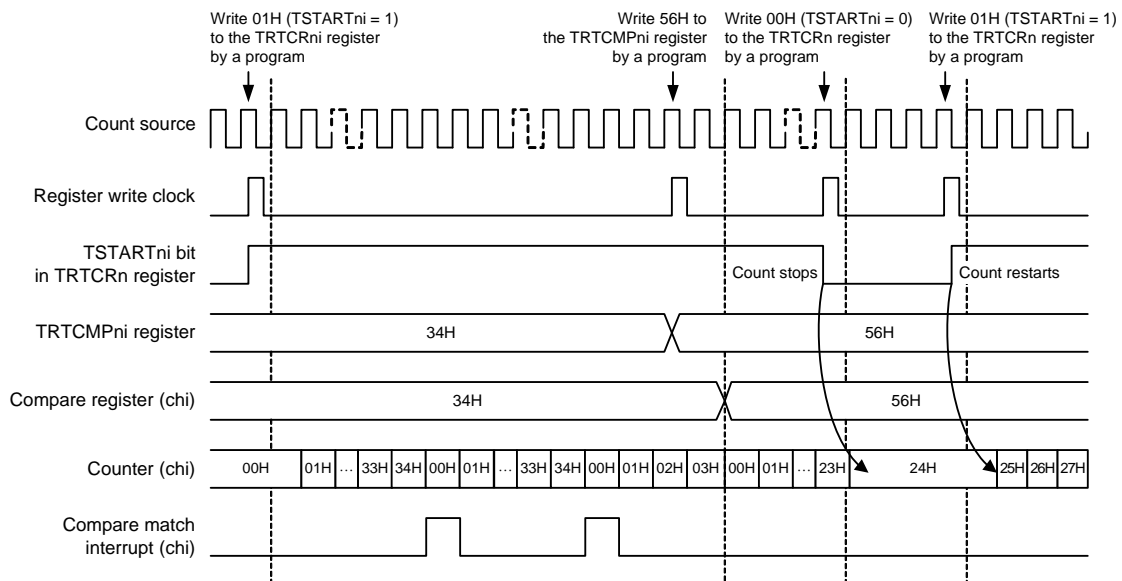
Remark n = 0, 1

12.4.3 Start/stop timing

12.4.3.1 When count source (fsx) is selected

After 1 is written to the TSTARTni (n = 0, 1, i = 0, 1) bit in the TRTCRn register, the count is started by the next sub clock (fsx), and then the counter is incremented from 00H to 01H by the next count source (fsx). Likewise, after 0 is written to the TSTARTni bit, the count is stopped after the counter is incremented by the sub clock (fsx). Figure 12 - 9 shows the timing for starting/stopping count operation, and Figure 12 - 10 shows the timing of count stop → compare setting (count clearing) → count start. Figure 12 - 9 and Figure 12 - 10 show the update timing in 8-bit counter mode, but operation is performed at the same timing even in 16-bit counter mode.

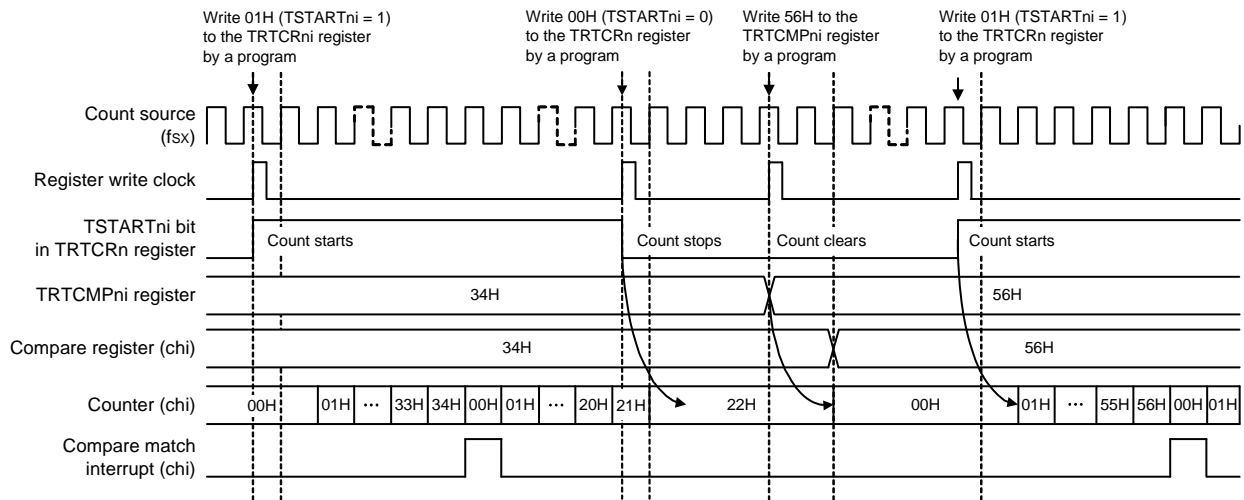
Figure 12 - 9 Example of Count Start/Stop Operation (fsx Selected)



The TCSMDn bit in the TRTCRn register is set to 0 (8-bit counter operation)

Remark n = 0, 1 i = 0, 1

Figure 12 - 10 Example of Count Stop → Count Clearing → Count Start Operation (fsx Selected)



The TCSMDn bit in the TRTCRn register is set to 0 (8-bit counter operation)

Remark n = 0, 1 i = 0, 1

12.4.3.2 When count source ($fsx/2^m$) is selected

After 1 is written to the TSTARTni ($n = 0, 1, i = 0, 1$) bit in the TRTCRn register, the count is started with the next sub clock (fsx), and then the counter is incremented from 00H to 01H by the next count source ($fsx/2^m$). Likewise, after 0 is written to the TSTARTni bit, the count is stopped with the sub clock (fsx).

However, the first period to count 00H when the timer starts counting is shorter than one cycle of the count source as below, depending on the timing for writing to the TSTARTni bit and the timing of the next count source.

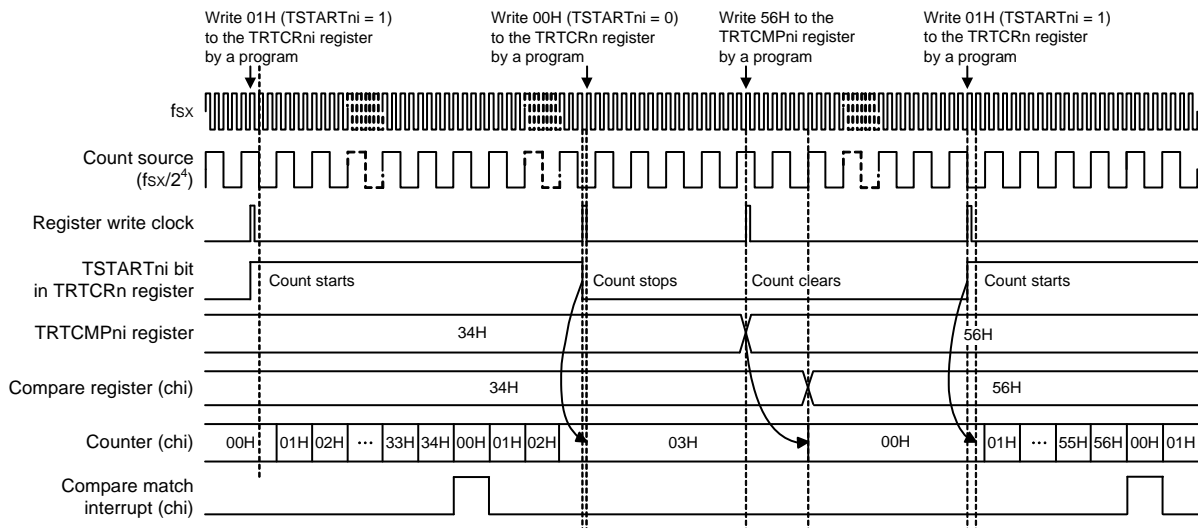
Minimum: One cycle of the sub clock (fsx)

Maximum: One cycle of the count source

Figure 12 - 11 shows the timing for starting/stopping count operation, and Figure 12- 12 shows the timing of count stop → compare setting (count clearing) → count start. Figure 12 - 11 and Figure 12 - 12 show the update timing in

8-bit counter mode, but operation is performed at the same timing even in 16-bit counter mode.

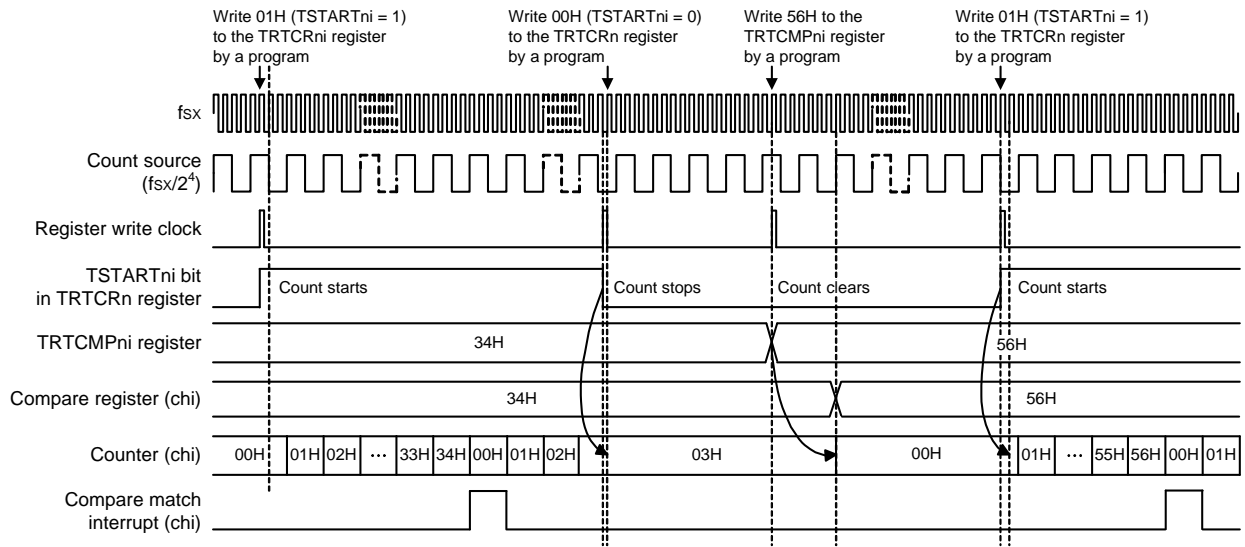
Figure 12 - 11 Example of Count Start/Stop Operation ($fsx/2^m$ Selected)



The TCSMDn bit in the TRTCRn register is set to 0 (8-bit counter operation)

Remark n = 0, 1 i = 0, 1

Figure 12 - 12 Example of Count Stop → Count Clearing → Count Start Operation (fsx/2^m Selected)



The TCSDn bit in the TRTCRn register is set to 0 (8-bit counter operation)

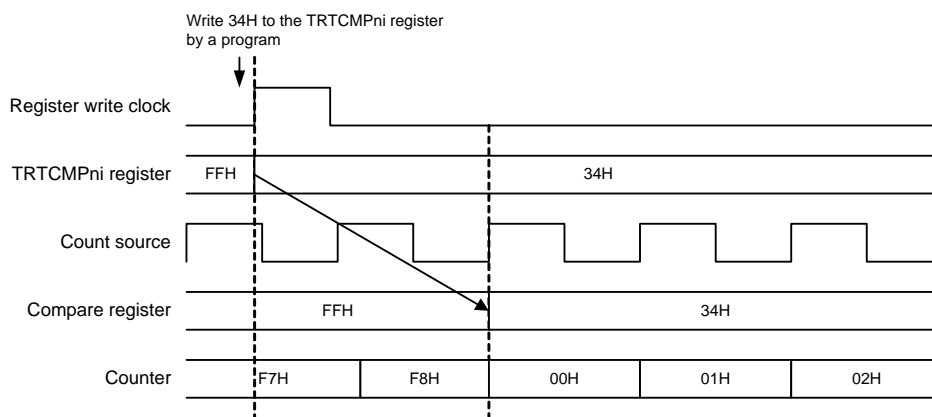
Remark n = 0, 1 i = 0, 1

12.4.4 Timing for updating compare register values

The timing for updating the value of the TRTCMPn_i (n = 0, 1, i = 0, 1) register is the same, regardless of the value of the TSTARTn_i bit in the TRTCRn register. After TRTCMPn_i is write-accessed, the value is stored in the compare register after two cycles of the count source. When stored in the compare register, the count value is cleared and set (8-bit count mode: 00H, 16-bit count mode: 0000H).

Figure 12 - 13 shows the timing of rewrite operation. This figure shows the update timing in 8-bit count mode, but operation is performed at the same timing in 16-bit count mode.

Figure 12 - 13 Timing of Compare Value Rewrite Operation



Remark n = 0, 1 i = 0, 1

12.5 Notes on 8-Bit Interval Timer

12.5.1 Changing settings of operating mode

The settings of bits TCSMDn and TCKni ($n = 0, 1, i = 0, 1$) must be changed while the TSTARTni bit in the TRTCRn register is 0 (count stops). After the value of the TSTARTni bit is rewritten from 1 to 0 (count stops), allow at least one cycle of fsx or fil to elapse before accessing the registers (TRTCRn and TRTMDn) associated with the 8-bit interval timer.

12.5.2 Accessing compare registers

Do not write to the same compare registers (TRTCMPn0, TRTCMPn1, and TRTCMPn) successively. When writing successively, allow at least two cycles of the count source between writes.

Writing to the compare register (TRTCMPn0, TRTCMPn1, TRTCMPn) must proceed while the source to drive counting is made to oscillate by setting the 8-bit interval timer clock enable bit (TCLKENn) to 1.

12.5.3 8-bit interval timer setting procedure

To supply the clock, set the 8-bit interval timer clock enable bit (TCLKENn) in the 8-bit interval timer control register (TRTCRn) to 1 and then set the TSTARTni bit. Do not set bits TCLKENn and TSTARTni at the same time.

To stop the clock, set TSTARTni to 0 and then allow at least one cycle of fsx or fil to elapse before setting the TCLKENn bit to 0.

CHAPTER 13 CLOCK OUTPUT/BUZZER OUTPUT CONTROLLER

13.1 Functions of Clock Output/Buzzer Output Controller

The clock output controller is intended for clock output for supply to peripheral ICs.

Buzzer output is a function to output a square wave of buzzer frequency.

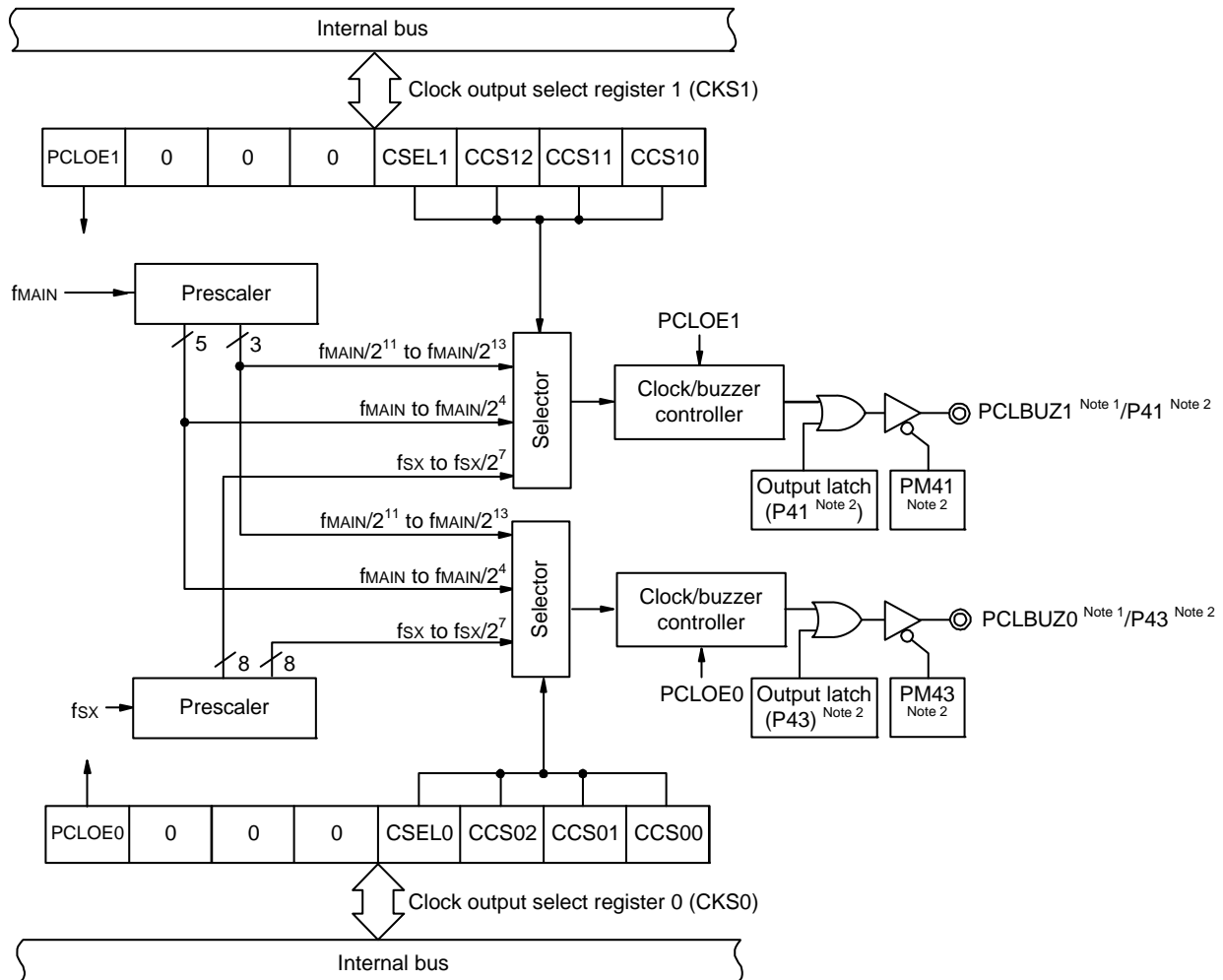
One pin can be used to output a clock or buzzer sound.

The PCLBUZn pin outputs a clock selected by clock output select register n (CKSn).

Figure 13 - 1 shows the block diagram of clock output/buzzer output controller.

Remark n = 0, 1

Figure 13 - 1 Block Diagram of Clock Output/Buzzer Output Controller



Note 1. For output frequencies available from PCLBUZ0 and PCLBUZ1, refer to **41.4 AC Characteristics**.

Note 2. The port mode register (PMxx) and port register (Pxx) to be set depend on the product and the setting of the peripheral I/O redirection register 0 (PIOR0).

For details, see **4.5 Register Settings When Using Alternate Function**.

13.2 Configuration of Clock Output/Buzzer Output Controller

The clock output/buzzer output controller includes the following hardware.

Table 13 - 1 Configuration of Clock Output/Buzzer Output Controller

Item	Configuration
Control registers	Clock output select registers n (CKSn) Subsystem clock supply option control register (OSMC) Port mode registers 3, 4 (PM3, PM4) Port registers 3, 4 (P3, P4)

13.3 Registers Controlling Clock Output/Buzzer Output Controller

The following register is used to control the clock output/buzzer output controller.

- Clock output select registers n (CKSn)
- Subsystem clock supply option control register (OSMC)
- Port mode registers 3, 4 (PM3, PM4)
- Port registers 3, 4 (P3, P4)

13.3.1 Clock output select registers n (CKSn)

This register set output enable/disable for clock output or for the buzzer frequency output pin (PCLBUZn), and set the output clock.

Select the clock to be output from the PCLBUZn pin by using the CKSn register.

The CKSn register is set by a 1-bit or 8-bit memory manipulation instruction.

Reset signal generation clears this register to 00H.

Figure 13 - 2 Format of Clock output select registers n (CKSn)

Address: FFFA5H (CKS0), FFFA6H (CKS1) After reset: 00H R/W

Symbol <7> 6 5 4 3 2 1 0

CKSn	PCLOEn	0	0	0	CSELn	CCSn2	CCSn1	CCSn0
------	--------	---	---	---	-------	-------	-------	-------

PCLOEn	PCLBUZn pin output enable/disable specification
0	Output disable (default)
1	Output enable

CSELn	CCSn2	CCSn1	CCSn0	PCLBUZn pin output clock selection				
				f _{MAIN} = 5 MHz	f _{MAIN} = 10 MHz	f _{MAIN} = 20 MHz	f _{MAIN} = 24 MHz	
0	0	0	0	f _{MAIN}	5 MHz	10 MHz Note	Setting prohibited Note	Setting prohibited Note
0	0	0	1	f _{MAIN} /2	2.5 MHz	5 MHz	10 MHz Note	Setting prohibited Note
0	0	1	0	f _{MAIN} /2 ²	1.25 MHz	2.5 MHz	5 MHz	6 MHz
0	0	1	1	f _{MAIN} /2 ³	625 kHz	1.25 MHz	2.5 MHz	3 MHz
0	1	0	0	f _{MAIN} /2 ⁴	312.5 kHz	625 kHz	1.25 MHz	1.5 MHz
0	1	0	1	f _{MAIN} /2 ¹¹	2.44 kHz	4.88 kHz	9.77 kHz	11.7 kHz
0	1	1	0	f _{MAIN} /2 ¹²	1.22 kHz	2.44 kHz	4.88 kHz	5.86 kHz
0	1	1	1	f _{MAIN} /2 ¹³	610 Hz	1.22 kHz	2.44 kHz	2.93 kHz
1	0	0	0	fsx	32.768 kHz			
1	0	0	1	fsx/2	16.384 kHz			
1	0	1	0	fsx/2 ²	8.192 kHz			
1	0	1	1	fsx/2 ³	4.096 kHz			
1	1	0	0	fsx/2 ⁴	2.048 kHz			
1	1	0	1	fsx/2 ⁵	1.024 kHz			
1	1	1	0	fsx/2 ⁶	512 Hz			
1	1	1	1	fsx/2 ⁷	256 Hz			

Note Use the output clock within a range of 16 MHz. See 41.4 AC Characteristics for details.

Caution Change the output clock after disabling clock output (PCLOEn = 0).

Remark 1. n = 0, 1

Remark 2. f_{MAIN}: Main system clock frequency

fsx: Sub clock

13.3.2 Registers controlling port functions of pins to be used for clock or buzzer output

Using a port pin for clock or buzzer output requires setting of the registers that control the port functions multiplexed on the target pin (port mode register (PMxx), port register (Pxx)). For details, see **4.3.1 Port mode registers (PMxx)** and **4.3.2 Port registers (Pxx)**.

Specifically, using a port pin with a multiplexed clock or buzzer output function (e.g. P43/TI00/TO00/PCLBUZ0, P41/INTP6/TI01/TO01/PCLBUZ1) for clock or buzzer output, requires setting the corresponding bits in the port mode register (PMxx) and port register (Pxx) to 0.

Example: When P43/TI00/TO00/PCLBUZ0 is to be used for clock or buzzer output

- Set the PM43 bit of port mode register 4 to 0.
- Set the P43 bit of port register 4 to 0.
- Make the setting for channel 0 of the timer array unit to not be in use.

13.4 Operations of Clock Output/Buzzer Output Controller

One pin can be used to output a clock or buzzer sound.

The PCLBUZ0 pin outputs a clock/buzzer selected by clock output select register 0 (CKS0).

The PCLBUZ1 pin outputs a clock/buzzer selected by clock output select register 1 (CKS1).

13.4.1 Operation as output pin

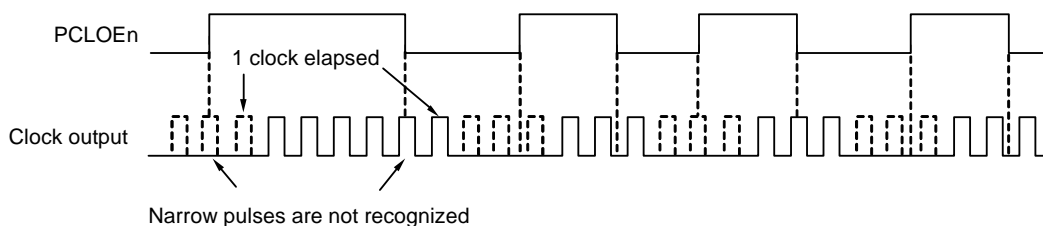
The PCLBUZn pin is output as the following procedures.

- <1> Set 0 in the bit of the port mode register (PMxx) and port register (Px) which correspond to the port which has a pin used as the PCLBUZ0 pin.
- <2> Select the output frequency with bits 0 to 3 (CCSn0 to CCSn2, CSELn) of the clock output select register (CKSn) of the PCLBUZn pin (output in disabled status).
- <3> Set bit 7 (PCLOEn) of the CKSn register to 1 to enable clock/buzzer output.

Remark 1. The controller used for outputting the clock starts or stops outputting the clock one clock after enabling or disabling clock output (PCLOEn bit) is switched. At this time, pulses with a narrow width are not output. Figure 13 - 3 shows enabling or stopping output using the PCLOEn bit and the timing of outputting the clock.

Remark 2. n = 0, 1

Figure 13 - 3 Timing of Outputting Clock from PCLBUZn Pin



13.5 Cautions of clock output/buzzer output controller

- When the main system clock is selected for the PCLBUZn output (CSELn = 0), if STOP mode is entered within 1.5 clock cycles output from the PCLBUZn pin after the output is disabled (PCLOEn = 0), the PCLBUZn output width becomes shorter.
- Setting the WUTMMCK0 bit in the subsystem clock supply option control register (OSMC) to 1 disables operation of the clock output/buzzer output controller.

<R>

CHAPTER 14 WATCHDOG TIMER

14.1 Functions of Watchdog Timer

The counting operation of the watchdog timer is set by the option byte (000C0H).

The watchdog timer operates on the low-speed on-chip oscillator clock (f_{IL}).

The watchdog timer is used to detect an inadvertent program loop. If a program loop is detected, an internal reset signal is generated.

Program loop is detected in the following cases.

- If the watchdog timer counter overflows
- If a 1-bit manipulation instruction is executed on the watchdog timer enable register (WDTE)
- If data other than "ACH" is written to the WDTE register
- If data is written to the WDTE register during a window close period

When a reset occurs due to the watchdog timer, bit 4 (WDTRF) of the reset control flag register (RESF) is set to 1.

For details of the RESF register, see **CHAPTER 27 RESET FUNCTION**.

When $75\% + 1/2 f_{IL}$ of the overflow time is reached, an interval interrupt can be generated.

14.2 Configuration of Watchdog Timer

The watchdog timer includes the following hardware.

Table 14 - 1 Configuration of Watchdog Timer

Item	Configuration
Counter	Internal counter (17 bits)
Control register	Watchdog timer enable register (WDTE)

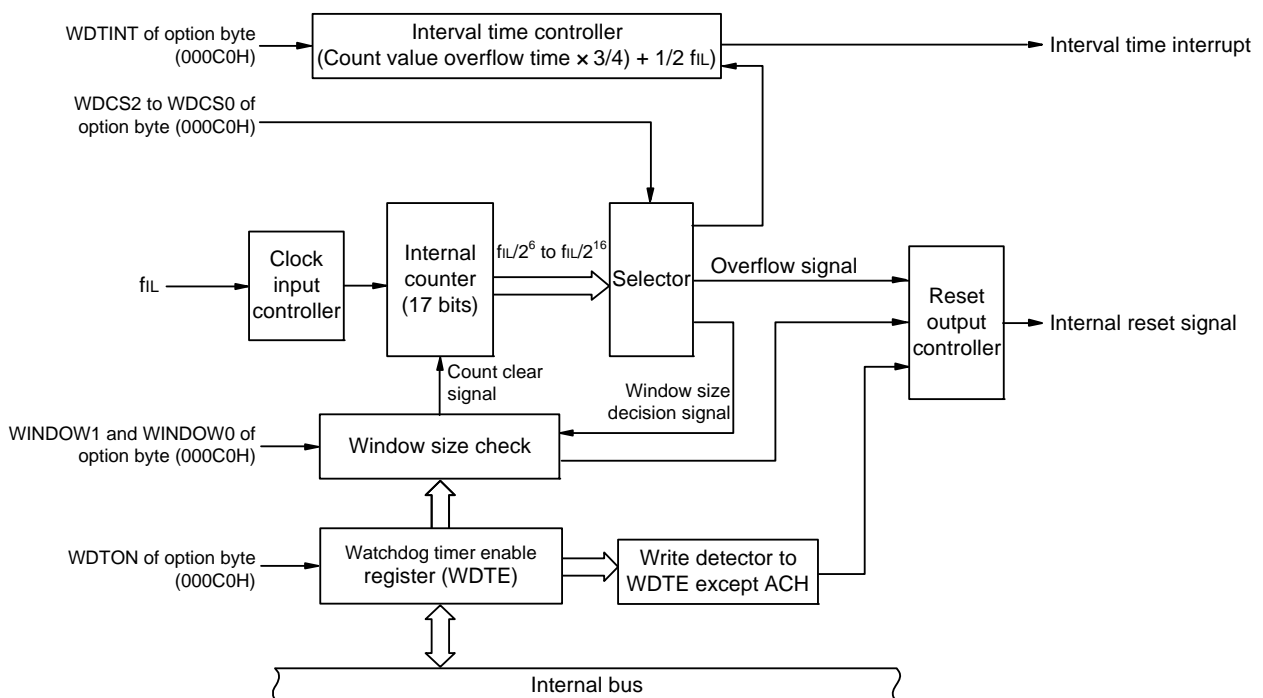
How the counter operation is controlled, overflow time, window open period, and interval interrupt are set by the option byte.

Table 14 - 2 Setting of Option Bytes and Watchdog Timer

Setting of Watchdog Timer	Option Byte (000C0H)
Watchdog timer interval interrupt	Bit 7 (WDTINT)
Window open period	Bits 6 and 5 (WINDOW1, WINDOW0)
Controlling counter operation of watchdog timer	Bit 4 (WDTON)
Overflow time of watchdog timer	Bits 3 to 1 (WDCS2 to WDCS0)
Controlling counter operation of watchdog timer (in HALT/STOP mode)	Bit 0 (WDSTBYON)

Remark For the option byte, see **CHAPTER 35 OPTION BYTE**.

Figure 14 - 1 Block Diagram of Watchdog Timer



Remark filL: Low-speed on-chip oscillator clock

14.3 Register Controlling Watchdog Timer

The watchdog timer is controlled by the watchdog timer enable register (WDTE).

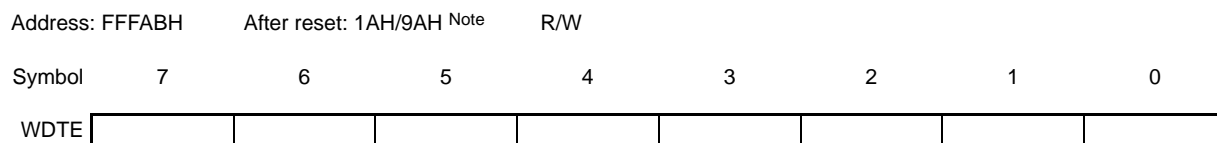
14.3.1 Watchdog timer enable register (WDTE)

Writing "ACH" to the WDTE register clears the watchdog timer counter and starts counting again.

This register can be set by an 8-bit memory manipulation instruction.

Reset signal generation sets this register to 9AH or 1AH ^{Note}.

Figure 14 - 2 Format of Watchdog timer enable register (WDTE)



Note The WDTE register reset value differs depending on the WDTON bit setting value of the option byte (000C0H). To operate watchdog timer, set the WDTON bit to 1.

WDTON Bit Setting Value	WDTE Register Reset Value
0 (watchdog timer count operation disabled)	1AH
1 (watchdog timer count operation enabled)	9AH

Caution 1. If a value other than "ACH" is written to the WDTE register, an internal reset signal is generated.

Caution 2. If a 1-bit memory manipulation instruction is executed for the WDTE register, an internal reset signal is generated.

Caution 3. The value read from the WDTE register is 9AH/1AH (this differs from the written value (ACH)).

14.4 Operation of Watchdog Timer

14.4.1 Controlling operation of watchdog timer

- When the watchdog timer is used, its operation is specified by the option byte (000C0H).
 - Enable counting operation of the watchdog timer by setting bit 4 (WDTON) of the option byte (000C0H) to 1 (the counter starts operating after a reset release) (for details, see **CHAPTER 35 OPTION BYTE**).

WDTON	Watchdog Timer Counter
0	Counter operation disabled (counting stopped after reset)
1	Counter operation enabled (counting started after reset)

- Set an overflow time by using bits 3 to 1 (WDCS2 to WDCS0) of the option byte (000C0H) (for details, see **14.4.2 Setting overflow time of watchdog timer** and **CHAPTER 35 OPTION BYTE**).
 - Set a window open period by using bits 6 and 5 (WINDOW1 and WINDOW0) of the option byte (000C0H) (for details, see **14.4.3 Setting window open period of watchdog timer** and **CHAPTER 35 OPTION BYTE**).
- After a reset release, the watchdog timer starts counting.
 - By writing "ACH" to the watchdog timer enable register (WDTE) after the watchdog timer starts counting and before the overflow time set by the option byte, the watchdog timer is cleared and starts counting again.
 - After that, write the WDTE register the second time or later after a reset release during the window open period. If the WDTE register is written during a window close period, an internal reset signal is generated.
 - If the overflow time expires without "ACH" written to the WDTE register, an internal reset signal is generated.
An internal reset signal is generated in the following cases.

- If a 1-bit manipulation instruction is executed on the WDTE register
- If data other than "ACH" is written to the WDTE register

Caution 1. When data is written to the watchdog timer enable register (WDTE) for the first time after reset release, the watchdog timer is cleared in any timing regardless of the window open time, as long as the register is written before the overflow time, and the watchdog timer starts counting again.

Caution 2. After "ACH" is written to the WDTE register, an error of up to 2 clocks (f_{IL}) may occur before the watchdog timer is cleared.

Caution 3. The watchdog timer can be cleared immediately before the count value overflows.

Caution 4. The operation of the watchdog timer in the HALT and STOP modes differs as follows depending on the set value of bit 0 (WDSTBYON) of the option byte (000C0H).

	WDSTBYON = 0	WDSTBYON = 1
In HALT mode	Watchdog timer operation stops.	Watchdog timer operation continues.
In STOP mode		
In SNOOZE mode		

If WDSTBYON = 0, the watchdog timer resumes counting after the HALT or STOP mode is released. At this time, the counter is cleared to 0 and counting starts.

When operating with the X1 oscillation clock after releasing the STOP mode, the CPU starts operating after the oscillation stabilization time has elapsed.

Therefore, if the period between the STOP mode release and the watchdog timer overflow is short, an overflow occurs during the oscillation stabilization time, causing a reset.

Consequently, set the overflow time in consideration of the oscillation stabilization time when operating with the X1 oscillation clock and when the watchdog timer is to be cleared after the STOP mode release by an interval interrupt.

14.4.2 Setting overflow time of watchdog timer

Set the overflow time of the watchdog timer by using bits 3 to 1 (WDCS2 to WDCS0) of the option byte (000C0H).

If an overflow occurs, an internal reset signal is generated. The present count is cleared and the watchdog timer starts counting again by writing "ACH" to the watchdog timer enable register (WDTE) during the window open period before the overflow time.

The following overflow times can be set.

Table 14 - 3 Setting of Overflow Time of Watchdog Timer

WDCS2	WDCS1	WDCS0	Overflow Time of Watchdog Timer (f _{IL} = 17.25 kHz (MAX.))
0	0	0	2 ⁶ /f _{IL} (3.71 ms)
0	0	1	2 ⁷ /f _{IL} (7.42 ms)
0	1	0	2 ⁸ /f _{IL} (14.84 ms)
0	1	1	2 ⁹ /f _{IL} (29.68 ms)
1	0	0	2 ¹¹ /f _{IL} (118.72 ms)
1	0	1	2 ¹³ /f _{IL} (474.89 ms)
1	1	0	2 ¹⁴ /f _{IL} (949.79 ms)
1	1	1	2 ¹⁶ /f _{IL} (3799.18 ms)

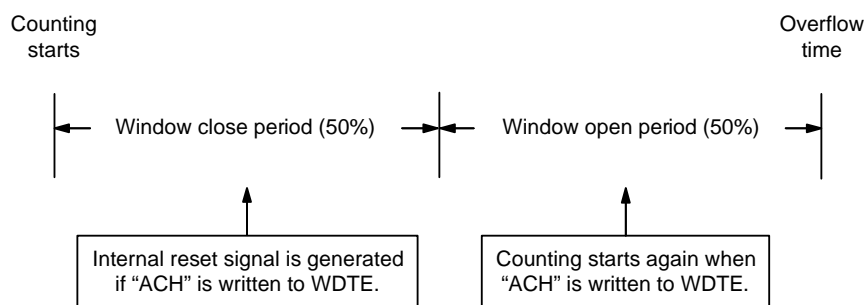
Remark f_{IL}: Low-speed on-chip oscillator clock frequency

14.4.3 Setting window open period of watchdog timer

Set the window open period of the watchdog timer by using bits 6 and 5 (WINDOW1, WINDOW0) of the option byte (000C0H). The outline of the window is as follows.

- If “ACH” is written to the watchdog timer enable register (WDTE) during the window open period, the watchdog timer is cleared and starts counting again.
- Even if “ACH” is written to the WDTE register during the window close period, an abnormality is detected and an internal reset signal is generated.

Example: If the window open period is 50%



Caution When data is written to the WDTE register for the first time after reset release, the watchdog timer is cleared in any timing regardless of the window open time, as long as the register is written before the overflow time, and the watchdog timer starts counting again.

The window open period can be set is as follows.

Table 14 - 4 Setting Window Open Period of Watchdog Timer

WINDOW1	WINDOW0	Window Open Period of Watchdog Timer
0	0	Setting prohibited
0	1	50%
1	0	75%
1	1	100%

Caution When bit 0 (WDSTBYON) of the option byte (000C0H) = 0, the window open period is 100% regardless of the values of the WINDOW1 and WINDOW0 bits.

Remark If the overflow time is set to $2^9/f_{IL}$, the window close time and open time are as follows.

	Setting of Window Open Period		
	50%	75%	100%
Window close time	0 to 20.08 ms	0 to 10.04 ms	None
Window open time	20.08 to 29.68 ms	10.04 to 29.68 ms	0 to 29.68 ms

<When window open period is 50%>

- Overflow time:
 $2^9/f_{IL} \text{ (MAX.)} = 2^9/17.25 \text{ kHz (MAX.)} = 29.68 \text{ ms}$
- Window close time:
 $0 \text{ to } 2^9/f_{IL} \text{ (MIN.)} \times (1 - 0.5) = 0 \text{ to } 2^9/12.75 \text{ kHz} \times 0.5 = 0 \text{ to } 20.08 \text{ ms}$
- Window open time:
 $2^9/f_{IL} \text{ (MIN.)} \times (1 - 0.5) \text{ to } 2^9/f_{IL} \text{ (MAX.)} = 2^9/12.75 \text{ kHz} \times 0.5 \text{ to } 2^9/17.25 \text{ kHz} = 20.08 \text{ to } 29.68 \text{ ms}$

14.4.4 Setting watchdog timer interval interrupt

Setting bit 7 (WDTINT) of an option byte (000C0H) can generate an interval interrupt (INTWDTI) when 75% + 1/2 f_{IL} of the overflow time is reached.

Table 14 - 5 Setting of Watchdog Timer Interval Interrupt

WDTINT	Use of Watchdog Timer Interval Interrupt
0	Interval interrupt is not used.
1	Interval interrupt is generated when 75% + 1/2 f_{IL} of overflow time is reached.

Caution When operating with the X1 oscillation clock after releasing the STOP mode, the CPU starts operating after the oscillation stabilization time has elapsed. Therefore, if the period between the STOP mode release and the watchdog timer overflow is short, an overflow occurs during the oscillation stabilization time, causing a reset. Consequently, set the overflow time in consideration of the oscillation stabilization time when operating with the X1 oscillation clock and when the watchdog timer is to be cleared after the STOP mode release by an interval interrupt.

Remark The watchdog timer continues counting even after INTWDTI is generated (until ACH is written to the watchdog timer enable register (WDTE)). If ACH is not written to the WDTE register before the overflow time, an internal reset signal is generated.

CHAPTER 15 A/D CONVERTER

The number of analog input channels of the A/D converter differs, depending on the product.

	64, 80-pin	100-pin
Analog input channels	4 ch (ANI0 to ANI3)	6 ch (ANI0 to ANI5)

15.1 Function of A/D Converter

The A/D converter is used to convert analog input signals into digital values, and is configured to control analog inputs, including up to 6 channels of A/D converter analog inputs (ANI0 to ANI5). 10-bit or 8-bit resolution can be selected by the ADTYP bit of the A/D converter mode register 2 (ADM2).

The A/D converter has the following function.

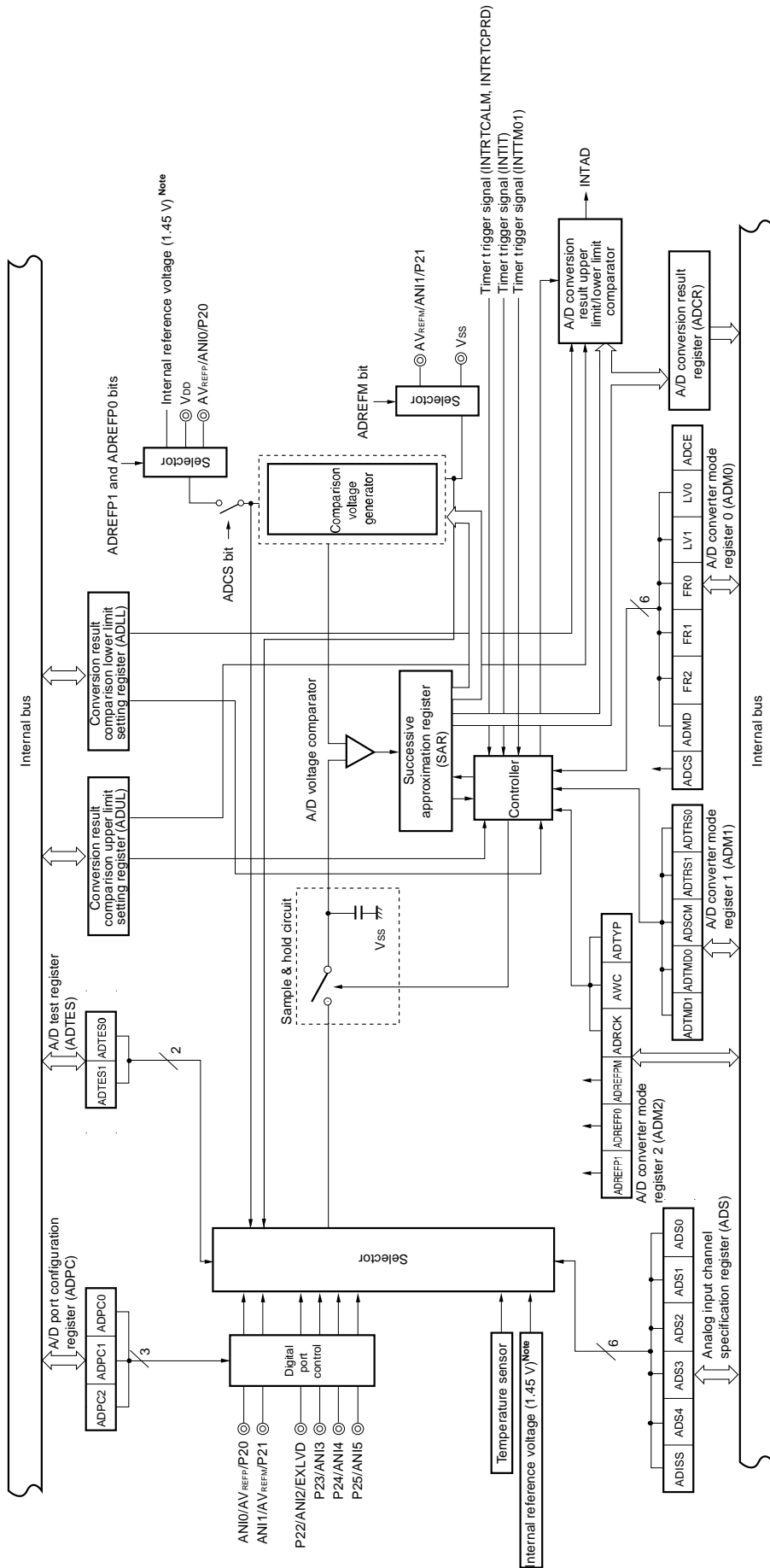
- **10-bit/8-bit resolution A/D conversion**

10-bit or 8-bit resolution A/D conversion is carried out repeatedly for one analog input channel selected from ANI0 to ANI5. Each time an A/D conversion operation ends, an interrupt request (INTAD) is generated (when in the select mode).

Various A/D conversion modes can be specified by using the mode combinations below.

Trigger mode	Software trigger	Conversion is started by software.
	Hardware trigger no-wait mode	Conversion is started by detecting a hardware trigger.
	Hardware trigger wait mode	The power is turned on by detecting a hardware trigger while the system is off and in the conversion standby state, and conversion is then started automatically after the stabilization wait time passes. When using the SNOOZE mode function, specify the hardware trigger wait mode.
Channel selection mode	Select mode	A/D conversion is performed on the analog input of one selected channel.
	Scan mode	A/D conversion is performed on the analog input of four channels in order. Four consecutive channels can be selected from ANI0 to ANI5 as analog input channels.
Conversion operation mode	One-shot conversion mode	A/D conversion is performed on the selected channel once.
	Sequential conversion mode	A/D conversion is sequentially performed on the selected channels until it is stopped by software.
Operation voltage mode	Standard 1 or standard 2 mode	Conversion is done in the operation voltage range of $2.7\text{ V} \leq V_{DD} \leq 5.5\text{ V}$.
	Low voltage 1 or low voltage 2 mode	Conversion is done in the operation voltage range of $1.9\text{ V} \leq V_{DD} \leq 5.5\text{ V}$. Select this mode for conversion at a low voltage. Because the operation voltage is low, it is internally boosted during conversion.
Sampling time selection	Sampling clock cycles: $7 f_{AD}$	The sampling time in standard 1 or low voltage 1 mode is seven cycles of the conversion clock (f_{AD}). Select this mode when the output impedance of the analog input source is high and the sampling time should be long.
	Sampling clock cycles: $5 f_{AD}$	The sampling time in standard 2 or low voltage 2 mode is five cycles of the conversion clock (f_{AD}). Select this mode when enough sampling time is ensured (for example, when the output impedance of the analog input source is low).

<R> Figure 15-1. Block Diagram of A/D Converter



Remark Analog input pin for figure 15-1 when a 100-pin product is used.
Note When using an internal reference voltage, it must be used in HS mode.
 The minimum operating voltage in HS mode is 2.4 V.
 Use an external reference voltage if you need to operate at 2.4 V or less.

15.2 Configuration of A/D Converter

The A/D converter includes the following hardware.

(1) ANI0 to ANI5 pins

These are the analog input pins of the 6 channels of the A/D converter. They input analog signals to be converted into digital signals. Pins other than the one selected as the analog input pin can be used as I/O port pins.

(2) Sample & hold circuit

The sample & hold circuit samples each of the analog input voltages sequentially sent from the input circuit, and sends them to the A/D voltage comparator. This circuit also holds the sampled analog input voltage during A/D conversion.

(3) A/D voltage comparator

This A/D voltage comparator compares the voltage generated from the voltage tap of the comparison voltage generator with the analog input voltage. If the analog input voltage is found to be greater than the reference voltage ($1/2 AV_{REF}$) as a result of the comparison, the most significant bit (MSB) of the successive approximation register (SAR) is set. If the analog input voltage is less than the reference voltage ($1/2 AV_{REF}$), the MSB bit of the SAR is reset.

After that, bit 8 of the SAR register is automatically set, and the next comparison is made. The voltage tap of the comparison voltage generator is selected by the value of bit 9, to which the result has been already set.

Bit 9 = 0: ($1/4 AV_{REF}$)

Bit 9 = 1: ($3/4 AV_{REF}$)

The voltage tap of the comparison voltage generator and the analog input voltage are compared and bit 8 of the SAR register is manipulated according to the result of the comparison.

Analog input voltage \geq Voltage tap of comparison voltage generator: Bit 8 = 1

Analog input voltage \leq Voltage tap of comparison voltage generator: Bit 8 = 0

Comparison is continued like this to bit 0 of the SAR register.

When performing A/D conversion at a resolution of 8 bits, the comparison continues until bit 2 of the SAR register.

Remark AV_{REF} : The + side reference voltage of the A/D converter. This can be selected from AV_{REFP} , the internal reference voltage (1.45 V), and V_{DD} .

(4) Comparison voltage generator

The comparison voltage generator generates the comparison voltage input from an analog input pin.

(5) Successive approximation register (SAR)

The SAR register is a register that sets voltage tap data whose values from the comparison voltage generator match the voltage values of the analog input pins, 1 bit at a time starting from the most significant bit (MSB).

If data is set in the SAR register all the way to the least significant bit (LSB) (end of A/D conversion), the contents of the SAR register (conversion results) are held in the A/D conversion result register (ADCR). When all the specified A/D conversion operations have ended, an A/D conversion end interrupt request signal (INTAD) is generated.

(6) 10-bit A/D conversion result register (ADCR)

The A/D conversion result is loaded from the successive approximation register to this register each time A/D conversion is completed, and the ADCR register holds the A/D conversion result in its higher 10 bits (the lower 6 bits are fixed to 0).

(7) 8-bit A/D conversion result register (ADCRH)

The A/D conversion result is loaded from the successive approximation register to this register each time A/D conversion is completed, and the ADCRH register stores the higher 8 bits of the A/D conversion result.

(8) Controller

This circuit controls the conversion time of an input analog signal that is to be converted into a digital signal, as well as starting and stopping of the conversion operation. When A/D conversion has been completed, this controller generates INTAD through the A/D conversion result upper limit/lower limit comparator.

(9) AV_{REFP} pin

This pin inputs an external reference voltage (AV_{REFP}).

If using AV_{REFP} as the + side reference voltage of the A/D converter, set the ADREFP1 and ADREFP0 bits of A/D converter mode register 2 (ADM2) to 0 and 1, respectively.

The analog signals input to ANI2 to ANI5 are converted to digital signals based on the voltage applied between AV_{REFP} and the – side reference voltage (AV_{REFM}/V_{SS}).

In addition to AV_{REFP}, it is possible to select V_{DD} or the internal reference voltage (1.45 V) as the + side reference voltage of the A/D converter.

(10) AV_{REFM} pin

This pin inputs an external reference voltage (AV_{REFM}). If using AV_{REFM} as the – side reference voltage of the A/D converter, set the ADREFM bit of the ADM2 register to 1.

In addition to AV_{REFM}, it is possible to select V_{SS} as the – side reference voltage of the A/D converter.

15.3 Registers Controlling A/D Converter

The A/D converter is controlled by the following registers.

- Peripheral enable register 0 (PER0)
- Peripheral reset control register 0 (PRR0)
- A/D converter mode register 0 (ADM0)
- A/D converter mode register 1 (ADM1)
- A/D converter mode register 2 (ADM2)
- 10-bit A/D conversion result register (ADCR)
- 8-bit A/D conversion result register (ADCRH)
- Analog input channel specification register (ADS)
- Conversion result comparison upper limit setting register (ADUL)
- Conversion result comparison lower limit setting register (ADLL)
- A/D test register (ADTES)
- A/D port configuration register (ADPC)
- Port mode register 2 (PM2)

15.3.1 Peripheral enable register 0 (PER0)

This register is used to enable or disable supplying the clock to the peripheral hardware. Clock supply to a hardware macro that is not used is stopped in order to reduce the power consumption and noise.

When the A/D converter is used, be sure to set bit 5 (ADCEN) of this register to 1.

The PER0 register can be set by a 1-bit or 8-bit memory manipulation instruction.

Reset signal generation clears this register to 00H.

Figure 15-2. Format of Peripheral Enable Register 0 (PER0)

Address: F00F0H After reset: 00H R/W

Symbol	7	<6>	<5>	<4>	<3>	<2>	1	<0>
PER0	0	IRDAEN	ADCEN	IICA0EN	SAU1EN	SAU0EN	0	TAU0EN

ADCEN	Control of A/D converter input clock supply
0	Stops input clock supply. <ul style="list-style-type: none"> SFR used by the A/D converter cannot be written. The read value is 00H. However, the SFR is not initialized.^{Note}
1	Enables input clock supply. <ul style="list-style-type: none"> SFR used by the A/D converter can be read and written.

Note To initialize the A/D converter and the SFR used by the A/D converter, use bit 5 (ADCRES) of PRR0.

Cautions 1. When setting the A/D converter, be sure to set the following registers first while the ADCEN bit is set to 1. If ADCEN = 0, writing to the control registers of A/D converter is ignored. (except for port mode register 2 (PM2) and A/D port configuration register (ADPC)).

- A/D converter mode register 0 (ADM0)
- A/D converter mode register 1 (ADM1)
- A/D converter mode register 2 (ADM2)
- 10-bit A/D conversion result register (ADCR)
- 8-bit A/D conversion result register (ADCRH)
- Analog input channel specification register (ADS)
- Conversion result comparison upper limit setting register (ADUL)
- Conversion result comparison lower limit setting register (ADLL)
- A/D test register (ADTES).

2. Be sure to clear bits 7 and 1 to 0.

15.3.2 Peripheral reset control register 0 (PRR0)

The PRR0 register is used to control resetting of the on-chip peripheral modules.

Each bit in this register controls resetting and release of the reset state of the corresponding on-chip peripheral module.

To reset the A/D converter, be sure to set bit 5 (ADCRES) to 1.

The PRR0 register can be set by a 1-bit or an 8-bit memory manipulation instruction.

Reset signal generation clears this register to 00H.

Figure 15-3. Format of Peripheral reset control Register 0 (PRR0)

Address: F00F1H After reset: 00H R/W

Symbol	7	<6>	<5>	<4>	<3>	<2>	1	<0>
PRR0	0	IRDARES	ADCRES	IICA0RES	SAU1RES	SAU0RES	0	TAU0RES

<R>	ADCRES	Control resetting of the A/D converter and temperature sensor 2
<R>	0	Releases the A/D converter and temperature sensor 2 from the reset state.
<R>	1	The A/D converter and temperature sensor 2 are in the reset state.

15.3.3 A/D converter mode register 0 (ADM0)

This register sets the conversion time for analog input to be A/D converted, and starts/stops conversion. The ADM0 register can be set by a 1-bit or 8-bit memory manipulation instruction. Reset signal generation clears this register to 00H.

Figure 15-4. Format of A/D Converter Mode Register 0 (ADM0)

Address: FFF30H After reset: 00H R/W

Symbol	<7>	6	5	4	3	2	1	<0>
ADM0	ADCS	ADMD	FR2 ^{Note 1}	FR1 ^{Note 1}	FR0 ^{Note 1}	LV1 ^{Note 1}	LV0 ^{Note 1}	ADCE

ADCS	A/D conversion operation control
0	Stops conversion operation [When read] Conversion stopped/standby status
1	Enables conversion operation [When read] While in the software trigger mode: Conversion operation status While in the hardware trigger wait mode: A/D power supply stabilization wait status + conversion operation status

ADMD	Specification of the A/D conversion channel selection mode
0	Select mode
1	Scan mode

ADCE	A/D voltage comparator operation control ^{Note 2}
0	Stops A/D voltage comparator operation
1	Enables A/D voltage comparator operation

- Notes**
- For details of the FR2 to FR0, LV1, LV0 bits, and A/D conversion, see **Table 15-3 A/D Conversion Time Selection**.
 - While in the software trigger mode or hardware trigger no-wait mode, the operation of the A/D voltage comparator is controlled by the ADCS and ADCE bits, and it takes 1 μ s from the start of operation for the operation to stabilize. Therefore, when the ADCS bit is set to 1 after 1 μ s or more has elapsed from the time ADCE bit is set to 1, the conversion result at that time has priority over the first conversion result. Otherwise, ignore data of the first conversion.

- Cautions**
- Change the ADMD, FR2 to FR0, LV1, LV0, and ADCE bits while conversion is stopped (ADCS = 0, ADCE = 0).
 - Do not set ADCS = 1 and ADCE = 0.
 - Do not change the ADCE and ADCS bits from 0 to 1 at the same time by using an 8-bit manipulation instruction. Be sure to set these bits in the order described in 15.7 A/D Converter Setup Flowchart.

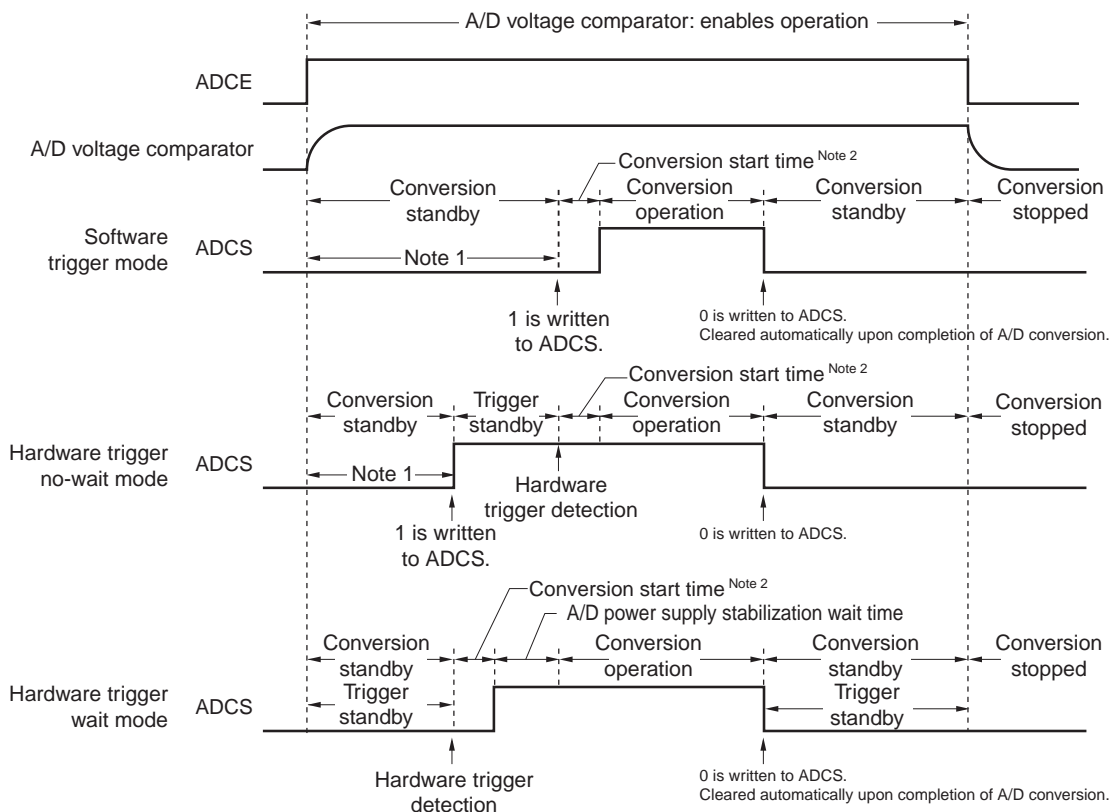
Table 15-1. Settings of ADCS and ADCE Bits

ADCS	ADCE	A/D Conversion Operation
0	0	Conversion stopped state
0	1	Conversion standby state
1	0	Setting prohibited
1	1	Conversion-in-progress state

Table 15-2. Setting and Clearing Conditions for ADCS Bit

A/D Conversion Mode			Set Conditions	Clear Conditions
Software trigger	Select mode	Sequential conversion mode	When 1 is written to ADCS	When 0 is written to ADCS
		One-shot conversion mode		<ul style="list-style-type: none"> When 0 is written to ADCS The bit is automatically cleared to 0 when A/D conversion ends.
	Scan mode	Sequential conversion mode		When 0 is written to ADCS
		One-shot conversion mode		<ul style="list-style-type: none"> When 0 is written to ADCS The bit is automatically cleared to 0 when conversion ends on the specified four channels.
Hardware trigger no-wait mode	Select mode	Sequential conversion mode		When 0 is written to ADCS
		One-shot conversion mode		When 0 is written to ADCS
	Scan mode	Sequential conversion mode		When 0 is written to ADCS
		One-shot conversion mode		When 0 is written to ADCS
Hardware trigger wait mode	Select mode	Sequential conversion mode	When a hardware trigger is input	When 0 is written to ADCS
		One-shot conversion mode		<ul style="list-style-type: none"> When 0 is written to ADCS The bit is automatically cleared to 0 when A/D conversion ends.
	Scan mode	Sequential conversion mode		When 0 is written to ADCS
		One-shot conversion mode		<ul style="list-style-type: none"> When 0 is written to ADCS The bit is automatically cleared to 0 when conversion ends on the specified four channels.

Figure 15-5. Timing Chart When A/D Voltage Comparator Is Used



<R>

- Notes 1.** While in the software trigger mode or hardware trigger no-wait mode, the time from the rising of the ADCE bit to the falling of the ADCS bit must be 1 μ s or longer to stabilize the internal circuit.
- 2.** In starting conversion, the longer will take up to following time

ADM0			Conversion Clock (f_{AD})	Conversion Start Time (Number of f_{CLK} Clock)	
FR2	FR1	FR0		Software Trigger Mode/ Hardware Trigger No-wait Mode	Hardware Trigger Wait Mode
0	0	0	$f_{CLK}/64$	63	1
0	0	1	$f_{CLK}/32$	31	
0	1	0	$f_{CLK}/16$	15	
0	1	1	$f_{CLK}/8$	7	
1	0	0	$f_{CLK}/6$	5	
1	0	1	$f_{CLK}/5$	4	
1	1	0	$f_{CLK}/4$	3	
1	1	1	$f_{CLK}/2$	1	

However, for the second and subsequent conversion in sequential conversion mode, the conversion start time and stabilization wait time for A/D power supply do not occur after a hardware trigger is detected.

- Cautions 1.** If using the hardware trigger wait mode, setting the ADCS bit to 1 is prohibited (but the bit is automatically switched to 1 when the hardware trigger signal is detected). However, it is possible to clear the ADCS bit to 0 to specify the A/D conversion standby status.
- 2.** While in the one-shot conversion mode of the hardware trigger no-wait mode, the ADCS flag is not automatically cleared to 0 when A/D conversion ends. Instead, 1 is retained.

- Cautions**
3. Only rewrite the value of the ADCE bit when ADCS = 0 (while in the conversion stopped/conversion standby status).
 4. To complete A/D conversion, specify at least the following time as the hardware trigger interval:
Hardware trigger no wait mode: $2 f_{\text{CLK}}$ clock + conversion start time + A/D conversion time
Hardware trigger wait mode: $2 f_{\text{CLK}}$ clock + conversion start time + A/D power supply stabilization wait time + A/D conversion time

Remark f_{CLK} : CPU/peripheral hardware clock frequency

Table 15-3. A/D Conversion Time Selection (1/4)

(1) When there is no A/D power supply stabilization wait time
 Normal mode 1, 2 (software trigger mode/hardware trigger no-wait mode)

A/D Converter Mode Register 0 (ADM0)					Mode	Conversion Clock (f _{AD})	Number of Conversion Clock ^{Note}	Conversion Time	Conversion Time Selection at 10-Bit Resolution						
FR2	FR1	FR0	LV1	LV0					2.7 V ≤ V _{DD} ≤ 5.5 V						
									f _{CLK} = 1 MHz	f _{CLK} = 4 MHz	f _{CLK} = 8 MHz	f _{CLK} = 16 MHz	f _{CLK} = 24 MHz		
0	0	0	0	0	Normal 1	f _{CLK} /64	19 f _{AD} (number of sampling clock: 7 f _{AD})	1216/f _{CLK}	Setting prohibited	Setting prohibited	Setting prohibited	Setting prohibited			
0	0	1				f _{CLK} /32		608/f _{CLK}				38 μs	25.3333 μs		
0	1	0				f _{CLK} /16		304/f _{CLK}				38 μs	19 μs	12.6667 μs	
0	1	1				f _{CLK} /8		152/f _{CLK}				38 μs	19 μs	9.5 μs	6.3333 μs
1	0	0				f _{CLK} /6		114/f _{CLK}				28.5 μs	14.25 μs	7.125 μs	4.75 μs
1	0	1				f _{CLK} /5		95/f _{CLK}				23.75 μs	11.875 μs	5.938 μs	3.9583 μs
1	1	0				f _{CLK} /4		76/f _{CLK}				19 μs	9.5 μs	4.75 μs	3.1667 μs
1	1	1				f _{CLK} /2		38/f _{CLK}	38 μs	9.5 μs	4.75 μs	2.375 μs	Setting prohibited		
0	0	0	0	1	Normal 2	f _{CLK} /64	17 f _{AD} (number of sampling clock: 5 f _{AD})	1088/f _{CLK}	Setting prohibited	Setting prohibited	Setting prohibited	Setting prohibited			
0	0	1				f _{CLK} /32		544/f _{CLK}				34 μs	22.6667 μs		
0	1	0				f _{CLK} /16		272/f _{CLK}				34 μs	17 μs	11.3333 μs	
0	1	1				f _{CLK} /8		136/f _{CLK}				34 μs	17 μs	8.5 μs	5.6667 μs
1	0	0				f _{CLK} /6		102/f _{CLK}				25.5 μs	12.75 μs	6.375 μs	4.25 μs
1	0	1				f _{CLK} /5		85/f _{CLK}				21.25 μs	10.625 μs	5.3125 μs	3.5417 μs
1	1	0				f _{CLK} /4		68/f _{CLK}				17 μs	8.5 μs	4.25 μs	2.8333 μs
1	1	1				f _{CLK} /2		34/f _{CLK}	34 μs	8.5 μs	4.25 μs	2.125 μs	Setting prohibited		

Note These are the numbers of clock cycles when conversion is with 10-bit resolution. When eight-bit resolution is selected, the values are shorter by two cycles of the conversion clock (f_{AD}).

- Cautions**
1. The A/D conversion time must also be within the relevant range of conversion time (t_{CONV}) described in 41.6.1 A/D converter characteristics.
 2. Rewriting the FR2 to FR0, LV1, and LV0 bits to other than the same data while conversion is stopped (ADCS = 0, ADCE = 0).
 3. The above conversion time does not include conversion start time. Conversion start time add in the first conversion. Select conversion time, taking clock frequency errors into consideration.

Remark f_{CLK}: CPU/peripheral hardware clock frequency

Table 15-3. A/D Conversion Time Selection (2/4)

(2) When there is no A/D power supply stabilization wait time
 Low-voltage mode 1, 2 (software trigger mode/hardware trigger no-wait mode)

A/D Converter Mode Register 0 (ADM0)					Mode	Conversion Clock (f _{AD})	Number of Conversion Clock ^{Note 1}	Conversion Time	Conversion Time Selection at 10-Bit Resolution				
FR2	FR1	FR0	LV1	LV0					1.9 V ≤ V _{DD} ≤ 5.5 V			Note 2	Note 3
									f _{CLK} = 1 MHz	f _{CLK} = 4 MHz	f _{CLK} = 8 MHz	f _{CLK} = 16 MHz	f _{CLK} = 24 MHz
0	0	0	1	0	Low-voltage 1	f _{CLK} /64	19 f _{AD} (number of sampling clock: 7 f _{AD})	1216/f _{CLK}	Setting prohibited	Setting prohibited	Setting prohibited	Setting prohibited	
0	0	1						608/f _{CLK}				38 μs	25.3333 μs
0	1	0						304/f _{CLK}				38 μs	12.6667 μs
0	1	1						152/f _{CLK}				38 μs	6.3333 μs
1	0	0						114/f _{CLK}				28.5 μs	4.75 μs
1	0	1						95/f _{CLK}				23.75 μs	3.9587 μs
1	1	0						76/f _{CLK}				19 μs	3.1667 μs
1	1	1						38/f _{CLK}	38 μs	Setting prohibited			
0	0	0	1	1	Low-voltage 2	f _{CLK} /64	17 f _{AD} (number of sampling clock: 5 f _{AD})	1088/f _{CLK}	Setting prohibited	Setting prohibited	Setting prohibited	Setting prohibited	
0	0	1						544/f _{CLK}				34 μs	22.6667 μs
0	1	0						272/f _{CLK}				34 μs	11.3333 μs
0	1	1						136/f _{CLK}				34 μs	5.6667 μs
1	0	0						102/f _{CLK}				25.5 μs	4.25 μs
1	0	1						85/f _{CLK}				21.25 μs	3.5417 μs
1	1	0						68/f _{CLK}				17 μs	2.8333 μs
1	1	1						34/f _{CLK}	34 μs	Setting prohibited			

Notes 1. These are the numbers of clock cycles when conversion is with 10-bit resolution. When eight-bit resolution is selected, the values are shorter by two cycles of the conversion clock (f_{AD}).

- 2. 2.4 V ≤ V_{DD} ≤ 5.5 V
- 3. 2.7 V ≤ V_{DD} ≤ 5.5 V

Cautions 1. The A/D conversion time must also be within the relevant range of conversion time (t_{CONV}) described in 41.6.1 A/D converter characteristics.

- 2. Rewriting the FR2 to FR0, LV1, and LV0 bits to other than the same data while conversion is stopped (ADCS = 0, ADCE = 0).
- 3. The above conversion time does not include conversion start time. Conversion start time add in the first conversion. Select conversion time, taking clock frequency errors into consideration.

Remark f_{CLK}: CPU/peripheral hardware clock frequency

Table 15-3. A/D Conversion Time Selection (3/4)

(3) When there is A/D power supply stabilization wait time
 Normal mode 1, 2 (hardware trigger wait mode^{Note 1})

A/D Converter Mode Register 0 (ADM0)					Mode	Conversion Clock (f _{AD})	Number of A/D Power Supply Stabilization Wait Clock	Number of Conversion Clock ^{Note 2}	A/D Power Supply Stabilization Wait Clock + Conversion Time	A/D Power Supply Stabilization Wait Clock + Conversion Time at 10-Bit Resolution					
FR2	FR1	FR0	LV1	LV0						2.7 V ≤ V _{DD} ≤ 5.5 V					
										f _{CLK} = 1 MHz	f _{CLK} = 4 MHz	f _{CLK} = 8 MHz	f _{CLK} = 16 MHz	f _{CLK} = 24 MHz	
0	0	0	0	0	Normal 1	f _{CLK} /64	8 f _{AD}	19 f _{AD} (number of sampling clock: 7 f _{AD})	1728/f _{CLK}	Setting	Setting	Setting	Setting prohibited		
0	0	1				f _{CLK} /32			864/f _{CLK}	prohibited	prohibited	prohibited	54 μs	36 μs	
0	1	0				f _{CLK} /16			432/f _{CLK}			54 μs	27 μs	18 μs	
0	1	1				f _{CLK} /8			216/f _{CLK}			54 μs	27 μs	13.5 μs	9 μs
1	0	0				f _{CLK} /6			162/f _{CLK}			40.5 μs	20.25 μs	10.125 μs	6.75 μs
1	0	1				f _{CLK} /5			135/f _{CLK}			33.75 μs	16.875 μs	8.4375 μs	5.625 μs
1	1	0				f _{CLK} /4			108/f _{CLK}			27 μs	13.5 μs	6.75 μs	4.5 μs
1	1	1				f _{CLK} /2			54/f _{CLK}		54 μs	13.5 μs	6.75 μs	3.375 μs	Setting prohibited
0	0	0	0	1	Normal 2	f _{CLK} /64	8 f _{AD}	17 f _{AD} (number of sampling clock: 5 f _{AD})	1600/f _{CLK}	Setting	Setting	Setting	Setting prohibited		
0	0	1				f _{CLK} /32			800/f _{CLK}	prohibited	prohibited	prohibited	50 μs	33.333 μs	
0	1	0				f _{CLK} /16			400/f _{CLK}			50 μs	25 μs	16.667 μs	
0	1	1				f _{CLK} /8			200/f _{CLK}			50 μs	25 μs	12.5 μs	8.333 μs
1	0	0				f _{CLK} /6			150/f _{CLK}			37.5 μs	18.75 μs	9.375 μs	6.25 μs
1	0	1				f _{CLK} /5			125/f _{CLK}			31.25 μs	15.625 μs	7.8125 μs	5.208 μs
1	1	0				f _{CLK} /4			100/f _{CLK}			25 μs	12.5 μs	6.25 μs	4.166 μs
1	1	1				f _{CLK} /2			50/f _{CLK}		50 μs	12.5 μs	6.25 μs	3.125 μs	Setting prohibited

Notes 1. For the second and subsequent conversion in sequential conversion mode, the conversion start time and stabilization wait time for A/D power supply do not occur after a hardware trigger is detected (see **Table 15-3 (1/4)**).

2. These are the numbers of clock cycles when conversion is with 10-bit resolution. When eight-bit resolution is selected, the values are shorter by two cycles of the conversion clock (f_{AD}).

Cautions 1. The A/D conversion time must also be within the relevant range of conversion time (t_{CONV}) described in 41.6.1 A/D converter characteristics. Note that the conversion time (t_{CONV}) does not include the A/D power supply stabilization wait time.

- 2.** Rewriting the FR2 to FR0, LV1, and LV0 bits to other than the same data while conversion is stopped (ADCS = 0, ADCE = 0).
- 3.** The above conversion time does not include conversion start time. Conversion start time add in the first conversion. Select conversion time, taking clock frequency errors into consideration.
- 4.** When hardware trigger wait mode, specify the conversion time, including the A/D power supply stabilization wait time from the hardware trigger detection.

Remark f_{CLK}: CPU/peripheral hardware clock frequency

Table 15-3. A/D Conversion Time Selection (4/4)

(4) When there is A/D power supply stabilization wait time
 Low-voltage mode 1, 2 (hardware trigger wait mode^{Note 1})

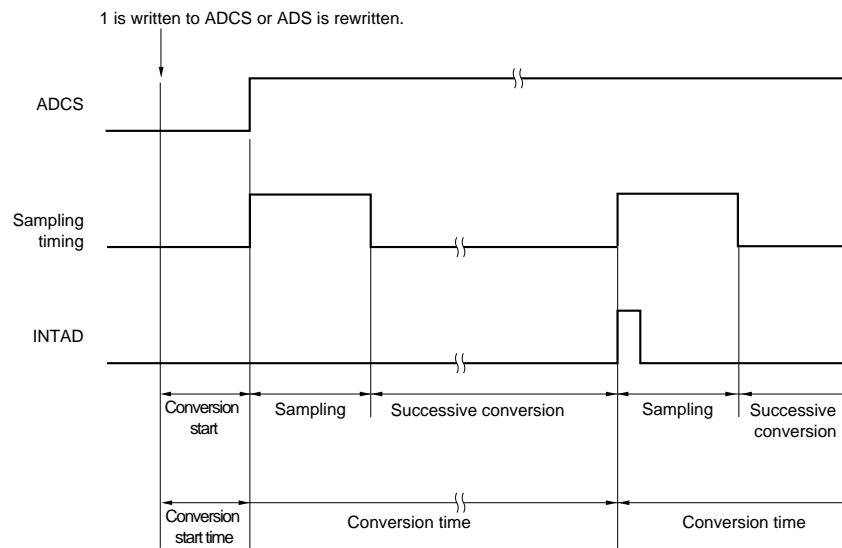
A/D Converter Mode Register 0 (ADM0)					Mode	Conversion Clock (f _{AD})	Number of A/D power supply Stabilization Wait Cock	Number of Conversion Clock ^{Note 2}	A/D power Supply Stabilization Wait Cock + Conversion Time	A/D Power Supply Stabilization Wait Cock + Conversion Time at 10-Bit Resolution				
FR2	FR1	FR0	LV1	LV0						1.9 V ≤ V _{DD} ≤ 5.5 V			Note 3	Note 4
										f _{CLK} = 1 MHz	f _{CLK} = 4 MHz	f _{CLK} = 8 MHz	f _{CLK} = 16 MHz	f _{CLK} = 24 MHz
0	0	0	1	0	Low-voltage 1	f _{CLK} /64	2 f _{AD}	19 f _{AD} (number of sampling clock: 7 f _{AD})	1344/f _{CLK}	Setting	Setting	Setting	Setting prohibited	
0	0	1	f _{CLK} /32	672/f _{CLK}		prohibited			prohibited	prohibited	42 μs	28 μs		
0	1	0	f _{CLK} /16	336/f _{CLK}						42 μs	21 μs	14 μs		
0	1	1	f _{CLK} /8	168/f _{CLK}						42 μs	21 μs	10.5 μs	7 μs	
1	0	0	f _{CLK} /6	126/f _{CLK}						31.25 μs	15.75 μs	7.875 μs	5.25 μs	
1	0	1	f _{CLK} /5	105/f _{CLK}						26.25 μs	13.125 μs	6.5625 μs	4.375 μs	
1	1	0	f _{CLK} /4	84/f _{CLK}						21 μs	10.5 μs	5.25 μs	3.5 μs	
1	1	1	f _{CLK} /2	42/f _{CLK}						42 μs	10.5 μs	5.25 μs	2.625 μs	Setting prohibited
0	0	0	1	1	Low-voltage 2	f _{CLK} /64	2 f _{AD}	17 f _{AD} (number of sampling clock: 5 f _{AD})	1216/f _{CLK}	Setting	Setting	Setting	Setting prohibited	
0	0	1	f _{CLK} /32	608/f _{CLK}		prohibited			prohibited	prohibited	38 μs	25.3333 μs		
0	1	0	f _{CLK} /16	304/f _{CLK}						38 μs	19 μs	12.6667 μs		
0	1	1	f _{CLK} /8	152/f _{CLK}						38 μs	19 μs	9.5 μs	6.3333 μs	
1	0	0	f _{CLK} /6	114/f _{CLK}						28.5 μs	14.25 μs	7.125 μs	4.75 μs	
1	0	1	f _{CLK} /5	95/f _{CLK}						23.75 μs	11.875 μs	5.938 μs	3.9583 μs	
1	1	0	f _{CLK} /4	76/f _{CLK}						19 μs	9.5 μs	4.75 μs	3.1667 μs	
1	1	1	f _{CLK} /2	38/f _{CLK}						38 μs	9.5 μs	4.75 μs	2.375 μs	Setting prohibited

- Notes 1.** For the second and subsequent conversion in sequential conversion mode, the conversion start time and stabilization wait time for A/D power supply do not occur after a hardware trigger is detected (see **Table 15-3 (2/4)**).
- 2.** These are the numbers of clock cycles when conversion is with 10-bit resolution. When eight-bit resolution is selected, the values are shorter by two cycles of the conversion clock (f_{AD}).
- 3.** 2.4 V ≤ V_{DD} ≤ 5.5 V
- 4.** 2.7 V ≤ V_{DD} ≤ 5.5 V

- Cautions 1.** The A/D conversion time must also be within the relevant range of conversion time (t_{CONV}) described in 41.6.1 A/D converter characteristics. Note that the conversion time (t_{CONV}) does not include the A/D power supply stabilization wait time.
- 2.** Rewriting the FR2 to FR0, LV1, and LV0 bits to other than the same data while conversion is stopped (ADCS = 0, ADCE = 0).
- 3.** The above conversion time does not include conversion start time. Conversion start time add in the first conversion. Select conversion time, taking clock frequency errors into consideration.
- 4.** When hardware trigger wait mode, specify the conversion time, including the A/D power supply stabilization wait time from the hardware trigger detection.

Remark f_{CLK}: CPU/peripheral hardware clock frequency

Figure 15-6. A/D Converter Sampling and A/D Conversion Timing (Example for Software Trigger Mode)



15.3.4 A/D converter mode register 1 (ADM1)

This register is used to specify the A/D conversion trigger, conversion mode, and hardware trigger signal.

The ADM1 register can be set by a 1-bit or 8-bit memory manipulation instruction.

Reset signal generation clears this register to 00H.

Figure 15-7. Format of A/D Converter Mode Register 1 (ADM1)

Address: FFF32H After reset: 00H R/W

Symbol	7	6	5	4	3	2	1	0
ADM1	ADTMD1	ADTMD0	ADSCM	0	0	0	ADTRS1	ADTRS0

ADTMD1	ADTMD0	Selection of the A/D conversion trigger mode
0	×	Software trigger mode
1	0	Hardware trigger no-wait mode
1	1	Hardware trigger wait mode

ADSCM	Specification of the A/D conversion mode
0	Sequential conversion mode
1	One-shot conversion mode

ADTRS1	ADTRS0	Selection of the hardware trigger signal
0	0	End of timer channel 01 count or capture interrupt signal (INTTM01)
0	1	Event signal selected by ELC
1	0	Independent power supply RTC alarm interrupt signal (INTRTCALM), independent power supply RTC fixed-cycle interrupt signal (INTRTCPRD)
1	1	12-bit interval timer interrupt signal (INTIT)

<R>

- Cautions**
1. Rewrite the value of the ADM1 register while conversion is stopped (ADCS = 0, ADCE = 0).
 2. To complete A/D conversion, specify at least the following time as the hardware trigger interval:
Hardware trigger no wait mode: 2 f_{CLK} clock + conversion start time + A/D conversion time
Hardware trigger wait mode: 2 f_{CLK} clock + conversion start time + A/D power supply stabilization wait time + A/D conversion time
 3. In modes other than SNOOZE mode, input of the next INTRTCALM/INTRTCPRD or INTIT will not be recognized as a valid hardware trigger for up to four f_{CLK} cycles after the first INTRTCALM/INTRTCPRD or INTIT is input.

<R>

- Remarks**
1. ×: don't care
 2. f_{CLK}: CPU/peripheral hardware clock frequency

15.3.5 A/D converter mode register 2 (ADM2)

This register is used to select the + side or – side reference voltage of the A/D converter, check the upper limit and lower limit A/D conversion result values, select the resolution, and specify whether to use the SNOOZE mode.

The ADM2 register can be set by a 1-bit or 8-bit memory manipulation instruction.

Reset signal generation clears this register to 00H.

Figure 15-8. Format of A/D Converter Mode Register 2 (ADM2) (1/2)

Address: F0010H After reset: 00H R/W

Symbol	7	6	5	4	<3>	<2>	1	<0>
ADM2	ADREFP1	ADREFP0	ADREFM	0	ADRCK	AWC	0	ADTYP

ADREFP1	ADREFP0	Selection of the + side reference voltage of the A/D converter
0	0	Supplied from V _{DD} ^{Note 2}
0	1	Supplied from P20/AV _{REFP} /ANI0
1	0	Supplied from the internal reference voltage (1.45 V) ^{Note 1}
1	1	Setting prohibited

- When ADREFP1 or ADREFP0 bit is rewritten, this must be configured in accordance with the following procedures.
 - Set ADCE = 0
 - Change the values of ADREFP1 and ADREFP0
 - Reference voltage stabilization wait time (A)
 - Set ADCE = 1
 - Reference voltage stabilization wait time (B)
 When ADREFP1 and ADREFP0 are set to 1 and 0, the setting is changed to A = 5 μs, B = 1 μs.
 When ADREFP1 and ADREFP0 are set to 0 and 0 or 0 and 1, A needs no wait and B = 1 μs.
 After (5) stabilization time, start the A/D conversion.
- When ADREFP1 and ADREFP0 are set to 1 and 0, respectively, A/D conversion cannot be performed on the temperature sensor output voltage and internal reference voltage (1.45 V).
 Be sure to perform A/D conversion while ADISS = 0.

ADREFM	Selection of the – side reference voltage source of the A/D converter
0	Supplied from V _{SS}
1	Supplied from P21/AV _{REFM} /ANI1

- Notes**
- This setting can be used only in HS (high-speed main) mode.
 When using a temperature sensor, be sure to use an internal reference voltage.
 - When using reference voltage (+) = V_{DD}, take into account the voltage drop due to the effect of the power switching circuit of the battery backup function and use the A/D conversion result. In addition, enter HALT mode during A/D conversion and set V_{DD} port to input.

- Cautions**
- Only rewrite the value of the ADM2 register while conversion is stopped (ADCS = 0, ADCE = 0).
 - Do not set the ADREFP1 bit to 1 when shifting to STOP mode, or to HALT mode while the CPU is operating on the subsystem clock. When the internal reference voltage is selected (ADREFP1, ADREFP0 = 1, 0), the A/D converter reference voltage current (I_{ADREF}) indicated in 41.3.2 Supply current characteristics will be added.
 - When using AV_{REFP} and AV_{REFM}, specify ANI0 and ANI1 as the analog input channels and specify input mode by using the port mode register.

Figure 15-8. Format of A/D Converter Mode Register 2 (ADM2) (2/2)

Address: F0010H After reset: 00H R/W

Symbol	7	6	5	4	<3>	<2>	1	<0>
ADM2	ADREFP1	ADREFP0	ADREFM	0	ADRCK	AWC	0	ADTYP

ADRCK	Checking the upper limit and lower limit conversion result values
0	The interrupt signal (INTAD) is output when the ADLL register \leq the ADCR register \leq the ADUL register (AREA 1).
1	The interrupt signal (INTAD) is output when the ADCR register < the ADLL register (AREA 2) or the ADUL register < the ADCR register (AREA 3).
Figure 15-9 shows the generation range of the interrupt signal (INTAD) for AREA 1 to AREA 3.	

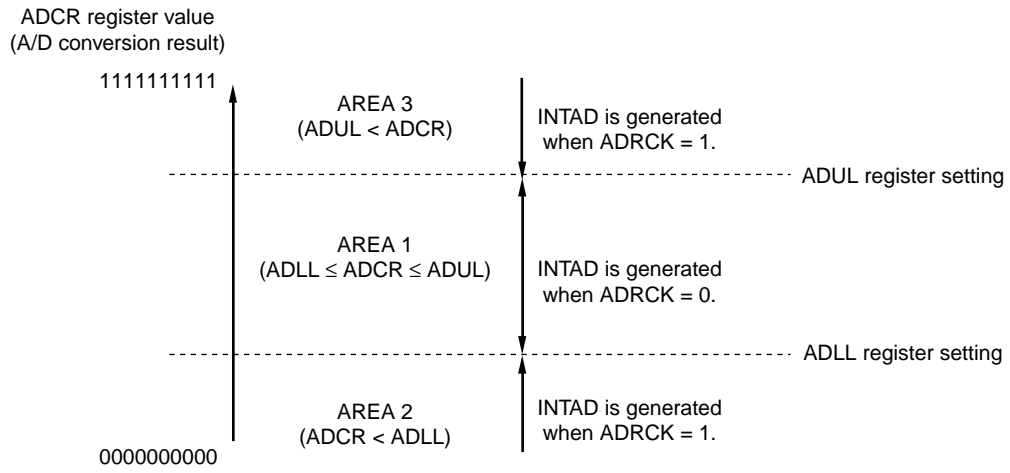
AWC	Specification of the SNOOZE mode
0	Do not use the SNOOZE mode function.
1	Use the SNOOZE mode function.
<p>When there is a hardware trigger signal in the STOP mode, the STOP mode is exited, and A/D conversion is performed without operating the CPU (the SNOOZE mode).</p> <ul style="list-style-type: none"> The SNOOZE mode function can only be specified when the high-speed on-chip oscillator clock is selected for the CPU/peripheral hardware clock (f_{CLK}). If any other clock is selected, specifying this mode is prohibited. Using the SNOOZE mode function in the software trigger mode or hardware trigger no-wait mode is prohibited. Using the SNOOZE mode function in the sequential conversion mode is prohibited. When using the SNOOZE mode function, specify a hardware trigger interval of at least "shift time to SNOOZE mode^{Note} + conversion start time + A/D power supply stabilization wait time + A/D conversion time + 2 f_{CLK} clock" Even when using SNOOZE mode, be sure to set the AWC bit to 0 in normal operation and change it to 1 just before shifting to STOP mode. <p>Also, be sure to change the AWC bit to 0 after returning from STOP mode to normal operation. If the AWC bit is left set to 1, A/D conversion will not start normally in spite of the subsequent SNOOZE or normal operation.</p>	

ADTYP	Selection of the A/D conversion resolution
0	10-bit resolution
1	8-bit resolution

Note Refer to "Transition time from STOP mode to SNOOZE mode" in **26.3.3 SNOOZE mode**

Caution Only rewrite the value of the ADM2 register while conversion is stopped (ADCS = 0, ADCE = 0).

Figure 15-9. ADRCK Bit Interrupt Signal Generation Range



Remark If INTAD does not occur, the A/D conversion result is not stored in the ADCR or ADCRH register.

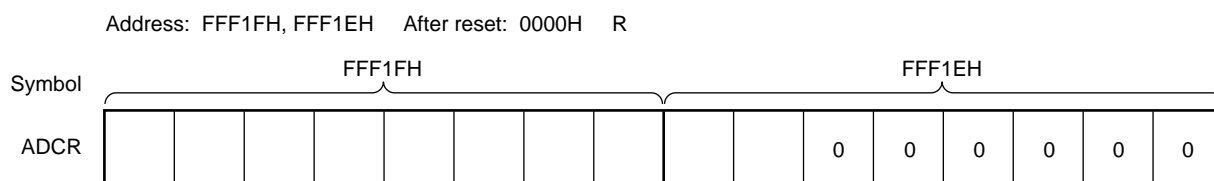
15.3.6 10-bit A/D conversion result register (ADCR)

This register is a 16-bit register that stores the A/D conversion result. The lower 6 bits are fixed to 0. Each time A/D conversion ends, the conversion result is loaded from the successive approximation register (SAR). The higher 8 bits of the conversion result are stored in FFF1FH and the lower 2 bits are stored in the higher 2 bits of FFF1EH^{Note}.

The ADCR register can be read by a 16-bit memory manipulation instruction.
Reset signal generation clears this register to 0000H.

Note If the A/D conversion result is outside the range specified by using the A/D conversion comparison function (the value specified by the ADRCK bit of the ADM2 register and ADUL/ADLL registers; see Figure 15-9), the result is not stored.

Figure 15-10. Format of 10-bit A/D Conversion Result Register (ADCR)



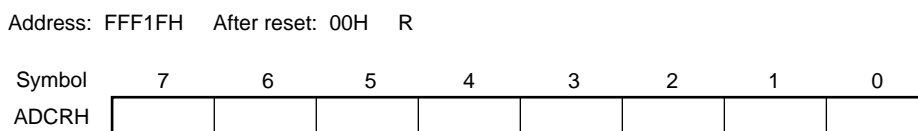
- Cautions**
1. When 8-bit resolution A/D conversion is selected (when the ADTYP bit of A/D converter mode register 2 (ADM2) is 1) and the ADCR register is read, 0 is read from the lower two bits (bits 7 and 6 of the ADCR register).
 2. When the ADCR register is accessed in 16-bit units, the higher 10 bits of the conversion result are read in order starting at bit 15 of the ADCR register.

15.3.7 8-bit A/D conversion result register (ADCRH)

This register is an 8-bit register that stores the A/D conversion result. The higher 8 bits of 10-bit resolution are stored^{Note}. The ADCRH register can be read by an 8-bit memory manipulation instruction.
Reset signal generation clears this register to 00H.

Note If the A/D conversion result is outside the range specified by using the A/D conversion comparison function (the value specified by the ADRCK bit of the ADM2 register and ADUL/ADLL registers; see Figure 15-9), the result is not stored.

Figure 15-11. Format of 8-bit A/D Conversion Result Register (ADCRH)



Caution When writing to the A/D converter mode register 0 (ADM0), analog input channel specification register (ADS), and A/D port configuration register (ADPC), the contents of the ADCRH register may become undefined. Read the conversion result following conversion completion before writing to the ADM0, ADS, and ADPC registers. Using timing other than the above may cause an incorrect conversion result to be read.

15.3.8 Analog input channel specification register (ADS)

This register specifies the input channel of the analog voltage to be A/D converted.
 The ADS register can be set by a 1-bit or 8-bit memory manipulation instruction.
 Reset signal generation clears this register to 00H.

Figure 15-12. Format of Analog Input Channel Specification Register (ADS)

Address: FFF31H After reset: 00H R/W

Symbol	7	6	5	4	3	2	1	0
ADS	ADISS	0	0	ADS4	ADS3	ADS2	ADS1	ADS0

○ Select mode (ADMD = 0)

ADISS	ADS4	ADS3	ADS2	ADS1	ADS0	Analog input channel	Input source
0	0	0	0	0	0	ANI0	P20/ANI0/AV _{REFP} pin
0	0	0	0	0	1	ANI1	P21/ANI1/AV _{REFM} pin
0	0	0	0	1	0	ANI2	P22/ANI2/EXLVD pin
0	0	0	0	1	1	ANI3	P23/ANI3 pin
0	0	0	1	0	0	ANI4	P24/ANI4 pin
0	0	0	1	0	1	ANI5	P25/ANI5 pin
0	1	1	1	0	1	–	Temperature sensor output voltage ^{Note}
1	0	0	0	0	1	–	Internal reference voltage (1.45 V) ^{Note}
Other than above						Setting prohibited	

○ Scan mode (ADMD = 1)

ADS4	ADS3	ADS2	ADS1	ADS0	Analog input channel			
					Scan 0	Scan 1	Scan 2	Scan 3
0	0	0	0	0	ANI0	ANI1	ANI2	ANI3
0	0	0	0	1	ANI1	ANI2	ANI3	ANI4
0	0	0	1	0	ANI2	ANI3	ANI4	ANI5
Other than above					Setting prohibited			

Note This setting can be used only in HS (high-speed main) mode.
 When using a temperature sensor, be sure to use an internal reference voltage.

- Cautions**
1. Be sure to clear bits 5 and 6 to 0.
 2. Set a channel to be set the analog input by ADPC register in the input mode by using port mode register 2 (PM2).
 3. Do not set the pin that is set by the A/D port configuration register (ADPC) as digital I/O by the ADS register.
 4. Rewrite the value of the ADISS bit while conversion is stopped (ADCS = 0, ADCE = 0).
 5. If using AV_{REFP} as the + side reference voltage of the A/D converter, do not select ANI0 as an A/D conversion channel.
 6. If using AV_{REFM} as the – side reference voltage of the A/D converter, do not select ANI1 as an A/D conversion channel.

- Cautions**
7. If ADISS is set to 1, the internal reference voltage (1.45 V) cannot be used for the + side reference voltage. After the ADISS bit is set to 1, the initial conversion result cannot be used. For the setting flow, see 15.7.4 Setup when temperature sensor output voltage/internal reference voltage is selected.
 8. Do not set the ADISS bit to 1 when shifting to STOP mode, or to HALT mode while the CPU is operating on the subsystem clock. Also, if the ADREFP1 bit is set to 1, the A/D converter reference voltage current (I_{ADREF}) indicated in 41.3.2 Supply current characteristics will be added to the current consumption when shifting to HALT mode while the CPU is operating on the main system clock.
 9. Ignore the conversion result if the corresponding ANI pin does not exist in the product used.

15.3.9 Conversion result comparison upper limit setting register (ADUL)

This register is used to specify the setting for checking the upper limit of the A/D conversion results.

The A/D conversion results and ADUL register value are compared, and interrupt signal (INTAD) generation is controlled in the range specified for the ADRCK bit of A/D converter mode register 2 (ADM2) (shown in **Figure 15-9**).

The ADUL register can be set by an 8-bit memory manipulation instruction.

Reset signal generation sets this register to FFH.

Figure 15-13. Format of Conversion Result Comparison Upper Limit Setting Register (ADUL)

Address: F0011H After reset: FFH R/W

Symbol	7	6	5	4	3	2	1	0
ADUL	ADUL7	ADUL6	ADUL5	ADUL4	ADUL3	ADUL2	ADUL1	ADUL0

15.3.10 Conversion result comparison lower limit setting register (ADLL)

This register is used to specify the setting for checking the lower limit of the A/D conversion results.

The A/D conversion results and ADLL register value are compared, and interrupt signal (INTAD) generation is controlled in the range specified for the ADRCK bit of A/D converter mode register 2 (ADM2) (shown in **Figure 15-9**).

The ADLL register can be set by an 8-bit memory manipulation instruction.

Reset signal generation clears this register to 00H.

Figure 15-14. Format of Conversion Result Comparison Lower Limit Setting Register (ADLL)

Address: F0012H After reset: 00H R/W

Symbol	7	6	5	4	3	2	1	0
ADLL	ADLL7	ADLL6	ADLL5	ADLL4	ADLL3	ADLL2	ADLL1	ADLL0

- Cautions**
1. When 10-bit resolution A/D conversion is selected, the higher eight bits of the 10-bit A/D conversion result register (ADCR) are compared with the values in the ADUL and ADLL registers.
 2. Only write new values to the ADUL and ADLL registers while conversion is stopped (ADCS = 0, ADCE = 0).
 3. The setting of the ADUL registers must be greater than that of the ADLL register.

15.3.11 A/D test register (ADTES)

This register is used to select the + side reference voltage or – side reference voltage of the A/D converter, or the analog input channel (ANlxx) as the target for A/D conversion. When using this register to test the converter, set as follows.

- For zero-scale measurement, select the – side reference voltage as the target for conversion.
- For full-scale measurement, select the + side reference voltage as the target for conversion.

The ADTES register can be set by an 8-bit memory manipulation instruction.

Reset signal generation clears this register to 00H.

Figure 15-15. Format of A/D Test Register (ADTES)

Address: F0013H After reset: 00H R/W

Symbol	7	6	5	4	3	2	1	0
ADTES	0	0	0	0	0	0	ADTES1	ADTES0

ADTES1	ADTES0	A/D conversion target
0	0	ANlxx/temperature sensor output voltage ^{Note} /internal reference voltage (1.45 V) ^{Note} (This is specified using the analog input channel specification register (ADS).)
1	0	The – side reference voltage (selected by the ADREFM bit of the ADM2 register)
1	1	The + side reference voltage (selected by the ADREFP1 or ADREFP0 bit of the ADM2 register)
Other than above		Setting prohibited

Note The temperature sensor output voltage and internal reference voltage (1.45 V) can be selected only in the HS (high-speed main) mode.

Caution For details of the A/D test function, see CHAPTER 32 SAFETY FUNCTIONS.

15.3.12 Registers controlling port function of analog input pins

Set up the registers for controlling the functions of the ports shared with the analog input pins of the A/D converter (port mode registers (PMxx) and A/D port configuration register (ADPC)).

For details, see 4.3.1 Port mode registers (PMxx) and 4.3.6 A/D port configuration register (ADPC).

When using the ANI0 to ANI5 pins for analog input of the A/D converter, set the port mode register (PMxx) bit corresponding to each port to 1 and select analog input through the A/D port configuration register (ADPC).

15.4 A/D Converter Conversion Operations

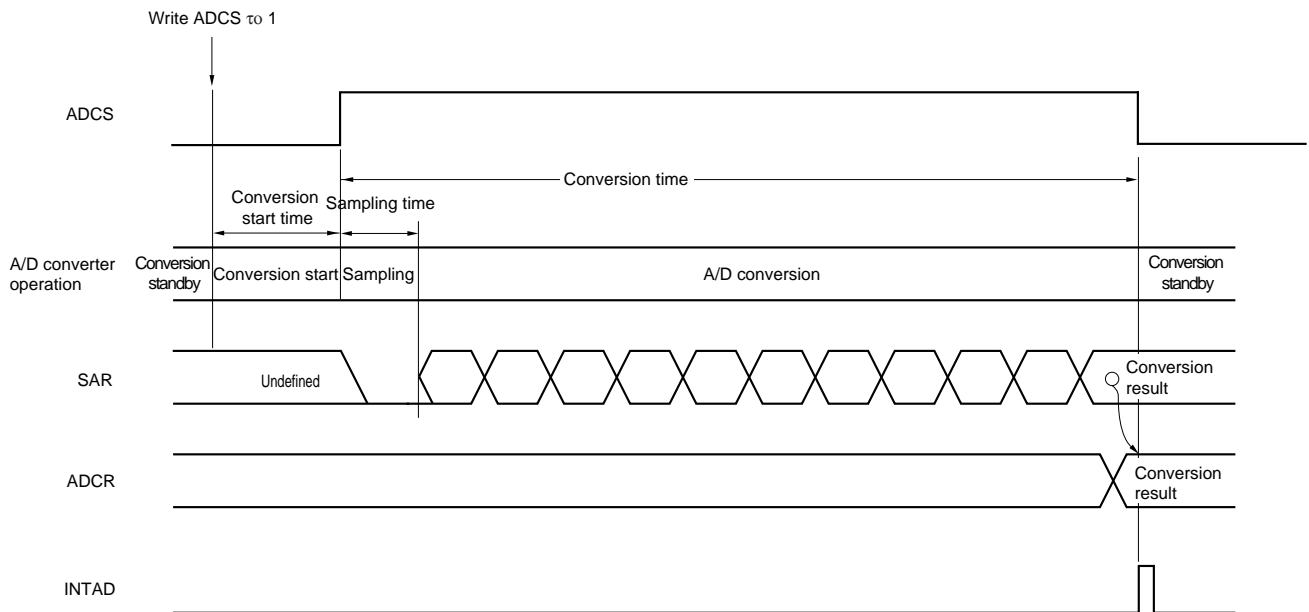
The A/D converter conversion operations are described below.

- <1> The voltage input to the selected analog input channel is sampled by the sample & hold circuit.
- <2> When sampling has been done for a certain time, the sample & hold circuit is placed in the hold state and the sampled voltage is held until the A/D conversion operation has ended.
- <3> Bit 9 of the successive approximation register (SAR) is set. The series resistor string voltage tap is set to $(1/2) AV_{REF}$ by the tap selector.
- <4> The voltage difference between the series resistor string voltage tap and sampled voltage is compared by the voltage comparator. If the analog input is greater than $(1/2) AV_{REF}$, the MSB bit of the SAR register remains set to 1. If the analog input is smaller than $(1/2) AV_{REF}$, the MSB bit is reset to 0.
- <5> Next, bit 8 of the SAR register is automatically set to 1, and the operation proceeds to the next comparison. The series resistor string voltage tap is selected according to the preset value of bit 9, as described below.
 - Bit 9 = 1: $(3/4) AV_{REF}$
 - Bit 9 = 0: $(1/4) AV_{REF}$
 The voltage tap and sampled voltage are compared and bit 8 of the SAR register is manipulated as follows.
 - Sampled voltage \geq Voltage tap: Bit 8 = 1
 - Sampled voltage $<$ Voltage tap: Bit 8 = 0
- <6> Comparison is continued in this way up to bit 0 of the SAR register.
- <7> Upon completion of the comparison of 10 bits, an effective digital result value remains in the SAR register, and the result value is transferred to the A/D conversion result register (ADCR, ADCRH) and then latched^{Note 1}. At the same time, the A/D conversion end interrupt request (INTAD) can also be generated^{Note 1}.
- <8> Repeat steps <1> to <7>, until the ADCS bit is cleared to 0^{Note 2}.
To stop the A/D converter, clear the ADCS bit to 0.

- Notes**
1. If the A/D conversion result is outside the A/D conversion result range specified by the ADRCK bit and the ADUL and ADLL registers (see **Figure 15-9**), the A/D conversion result interrupt request signal is not generated and no A/D conversion results are stored in the ADCR and ADCRH registers.
 2. While in the sequential conversion mode, the ADCS flag is not automatically cleared to 0. This flag is not automatically cleared to 0 while in the one-shot conversion mode of the hardware trigger no-wait mode, either. Instead, 1 is retained.

- Remarks**
1. Two types of the A/D conversion result registers are available.
 - ADCR register (16 bits): Store 10-bit A/D conversion value
 - ADCRH register (8 bits): Store 8-bit A/D conversion value
 2. AV_{REF} : The + side reference voltage of the A/D converter. This can be selected from AV_{REFP} , the internal reference voltage (1.45 V), and V_{DD} .

Figure 15-16. Conversion Operation of A/D Converter (Software Trigger Mode)



In one-shot conversion mode, the ADCS bit is automatically cleared to 0 after completion of A/D conversion.

In sequential conversion mode, A/D conversion operations proceed continuously until the software clears bit 7 (ADCS) of the A/D converter mode register 0 (ADM0) to 0.

When the value of the analog input channel specification register (ADS) is rewritten or overwritten during conversion, the current A/D conversion is interrupted, and A/D conversion is performed on the analog input newly specified in the ADS register. The partially converted data is discarded.

Reset signal generation clears the A/D conversion result register (ADCR, ADCRH) to 0000H or 00H.

15.5 Input Voltage and Conversion Results

The relationship between the analog input voltage input to the analog input pins (ANI0 to ANI5) and the theoretical A/D conversion result (stored in the 10-bit A/D conversion result register (ADCR)) is shown by the following expression.

$$SAR = INT \left(\frac{V_{AIN}}{AV_{REF}} \times 1024 + 0.5 \right)$$

$$ADCR = SAR \times 64$$

or

$$\left(\frac{ADCR}{64} - 0.5 \right) \times \frac{AV_{REF}}{1024} \leq V_{AIN} < \left(\frac{ADCR}{64} + 0.5 \right) \times \frac{AV_{REF}}{1024}$$

where, INT(): Function which returns integer part of value in parentheses

V_{AIN}: Analog input voltage

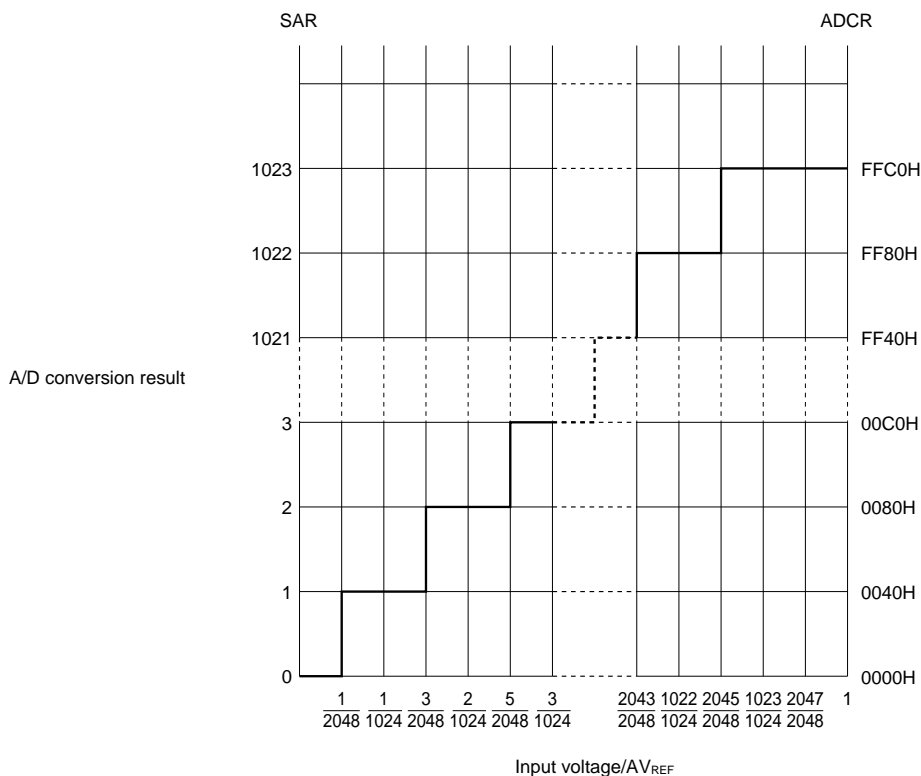
AV_{REF}: AV_{REF} pin voltage

ADCR: A/D conversion result register (ADCR) value

SAR: Successive approximation register

Figure 15-17 shows the relationship between the analog input voltage and the A/D conversion result.

Figure 15-17. Relationship Between Analog Input Voltage and A/D Conversion Result



Remark AV_{REF}: The + side reference voltage of the A/D converter. This can be selected from AV_{REFP}, the internal reference voltage (1.45 V), and V_{DD}.

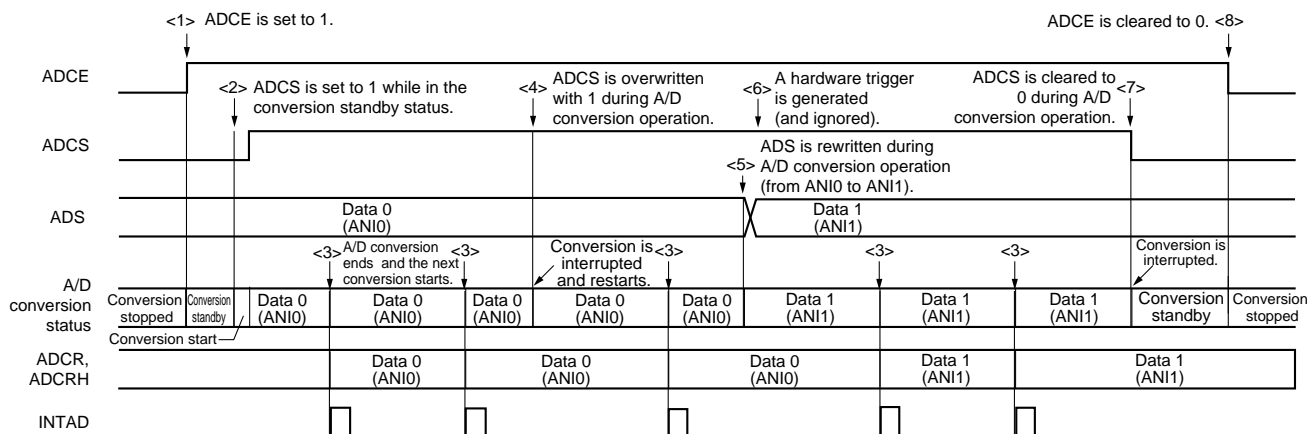
15.6 A/D Converter Operation Modes

The operation of each A/D converter mode is described below. In addition, the procedure for specifying each mode is described in 15.7 A/D Converter Setup Flowchart.

15.6.1 Software trigger mode (select mode, sequential conversion mode)

- <1> In the stop status, the ADCE bit of A/D converter mode register 0 (ADM0) is set to 1, and the system enters the A/D conversion standby status.
- <2> After the software counts up to the stabilization wait time (1 μ S), the ADCS bit of the ADM0 register is set to 1 to perform the A/D conversion of the analog input specified by the analog input channel specification register (ADS).
- <3> When A/D conversion ends, the conversion result is stored in the A/D conversion result register (ADCR, ADCRH), and the A/D conversion end interrupt request signal (INTAD) is generated. After A/D conversion ends, the next A/D conversion immediately starts.
- <4> When ADCS is overwritten with 1 during conversion operation, the current A/D conversion is interrupted, and conversion restarts. The partially converted data is discarded.
- <5> When the value of the ADS register is rewritten or overwritten during conversion operation, the current A/D conversion is interrupted, and A/D conversion is performed on the analog input respecified by the ADS register. The partially converted data is discarded.
- <6> Even if a hardware trigger is input during conversion operation, A/D conversion does not start.
- <7> When ADCS is cleared to 0 during conversion operation, the current A/D conversion is interrupted, and the system enters the A/D conversion standby status.
- <8> When ADCE is cleared to 0 while in the A/D conversion standby status, the A/D converter enters the stop status. When ADCE = 0, specifying 1 for ADCS is ignored and A/D conversion does not start.

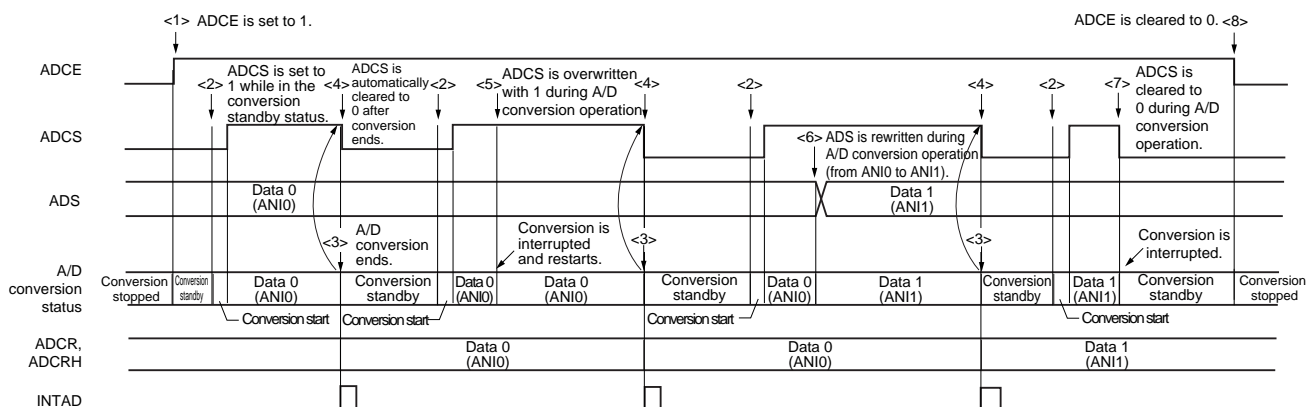
Figure 15-18. Example of Software Trigger Mode (Select Mode, Sequential Conversion Mode) Operation Timing



15.6.2 Software trigger mode (select mode, one-shot conversion mode)

- <1> In the stop status, the ADCE bit of A/D converter mode register 0 (ADM0) is set to 1, and the system enters the A/D conversion standby status.
- <2> After the software counts up to the stabilization wait time (1 μ s), the ADCS bit of the ADM0 register is set to 1 to perform the A/D conversion of the analog input specified by the analog input channel specification register (ADS).
- <3> When A/D conversion ends, the conversion result is stored in the A/D conversion result register (ADCR, ADCRH), and the A/D conversion end interrupt request signal (INTAD) is generated.
- <4> After A/D conversion ends, the ADCS bit is automatically cleared to 0, and the system enters the A/D conversion standby status.
- <5> When ADCS is overwritten with 1 during conversion operation, the current A/D conversion is interrupted, and conversion restarts. The partially converted data is discarded.
- <6> When the value of the ADS register is rewritten or overwritten during conversion operation, the current A/D conversion is interrupted, and A/D conversion is performed on the analog input respecified by the ADS register. The partially converted data is discarded.
- <7> When ADCS is cleared to 0 during conversion operation, the current A/D conversion is interrupted, and the system enters the A/D conversion standby status.
- <8> When ADCE is cleared to 0 while in the A/D conversion standby status, the A/D converter enters the stop status. When ADCE = 0, specifying 1 for ADCS is ignored and A/D conversion does not start. In addition, A/D conversion does not start even if a hardware trigger is input while in the A/D conversion standby status.

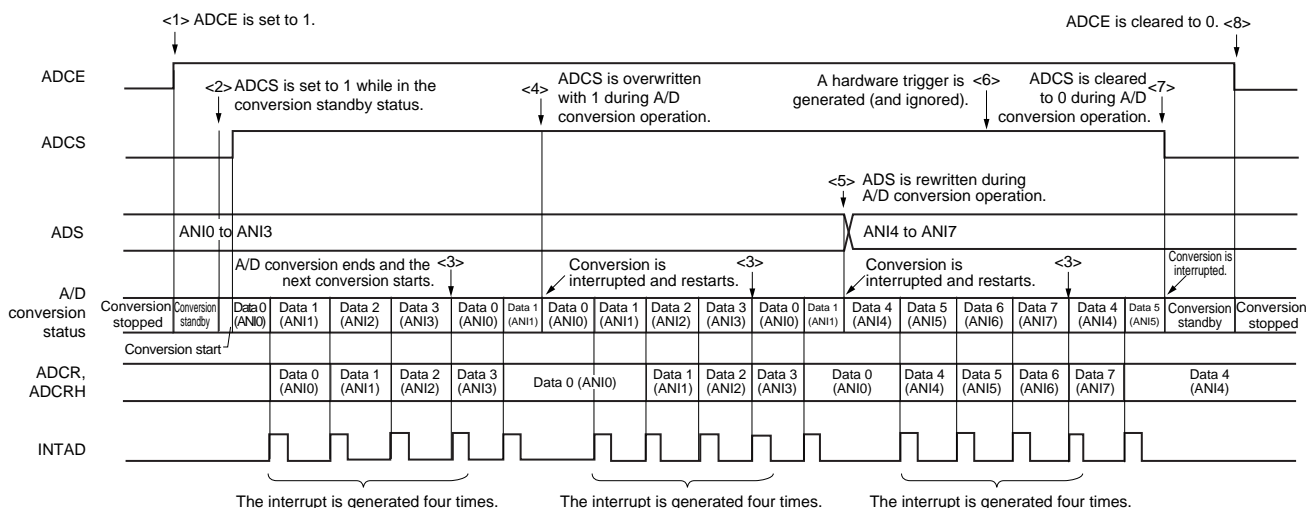
Figure 15-19. Example of Software Trigger Mode (Select Mode, One-shot Conversion Mode) Operation Timing



15.6.3 Software trigger mode (scan mode, sequential conversion mode)

- <1> In the stop status, the ADCE bit of A/D converter mode register 0 (ADM0) is set to 1, and the system enters the A/D conversion standby status.
- <2> After the software counts up to the stabilization wait time (1 μ s), the ADCS bit of the ADM0 register is set to 1 to perform A/D conversion on the four analog input channels specified by scan 0 to scan 3, which are specified by the analog input channel specification register (ADS). A/D conversion is performed on the analog input channels in order, starting with that specified by scan 0.
- <3> A/D conversion is sequentially performed on the four analog input channels, the conversion results are stored in the A/D conversion result register (ADCR, ADCRH) each time conversion ends, and the A/D conversion end interrupt request signal (INTAD) is generated. After A/D conversion of the four channels ends, the A/D conversion of the channel following the specified channel automatically starts (until all four channels are finished).
- <4> When ADCS is overwritten with 1 during conversion operation, the current A/D conversion is interrupted, and conversion restarts at the first channel. The partially converted data is discarded.
- <5> When the value of the ADS register is rewritten or overwritten during conversion operation, the current A/D conversion is interrupted, and A/D conversion is performed on the first channel respecified by the ADS register. The partially converted data is discarded.
- <6> Even if a hardware trigger is input during conversion operation, A/D conversion does not start.
- <7> When ADCS is cleared to 0 during conversion operation, the current A/D conversion is interrupted, and the system enters the A/D conversion standby status.
- <8> When ADCE is cleared to 0 while in the A/D conversion standby status, the A/D converter enters the stop status. When ADCE = 0, specifying 1 for ADCS is ignored and A/D conversion does not start.

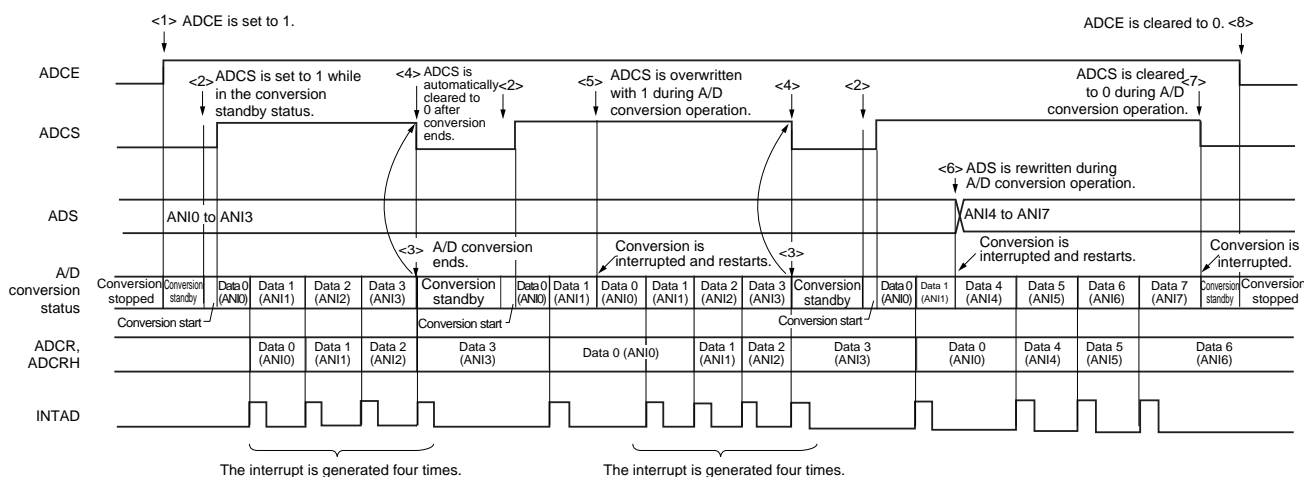
Figure 15-20. Example of Software Trigger Mode (Scan Mode, Sequential Conversion Mode) Operation Timing



15.6.4 Software trigger mode (scan mode, one-shot conversion mode)

- <1> In the stop status, the ADCE bit of A/D converter mode register 0 (ADM0) is set to 1, and the system enters the A/D conversion standby status.
- <2> After the software counts up to the stabilization wait time (1 μ s), the ADCS bit of the ADM0 register is set to 1 to perform A/D conversion on the four analog input channels specified by scan 0 to scan 3, which are specified by the analog input channel specification register (ADS). A/D conversion is performed on the analog input channels in order, starting with that specified by scan 0.
- <3> A/D conversion is sequentially performed on the four analog input channels, the conversion results are stored in the A/D conversion result register (ADCR, ADCRH) each time conversion ends, and the A/D conversion end interrupt request signal (INTAD) is generated.
- <4> After A/D conversion of the four channels ends, the ADCS bit is automatically cleared to 0, and the system enters the A/D conversion standby status.
- <5> When ADCS is overwritten with 1 during conversion operation, the current A/D conversion is interrupted, and conversion restarts at the first channel. The partially converted data is discarded.
- <6> When the value of the ADS register is rewritten or overwritten during conversion operation, the current A/D conversion is interrupted, and A/D conversion is performed on the first channel respecified by the ADS register. The partially converted data is discarded.
- <7> When ADCS is cleared to 0 during conversion operation, the current A/D conversion is interrupted, and the system enters the A/D conversion standby status.
- <8> When ADCE is cleared to 0 while in the A/D conversion standby status, the A/D converter enters the stop status. When ADCE = 0, specifying 1 for ADCS is ignored and A/D conversion does not start. In addition, A/D conversion does not start even if a hardware trigger is input while in the A/D conversion standby status.

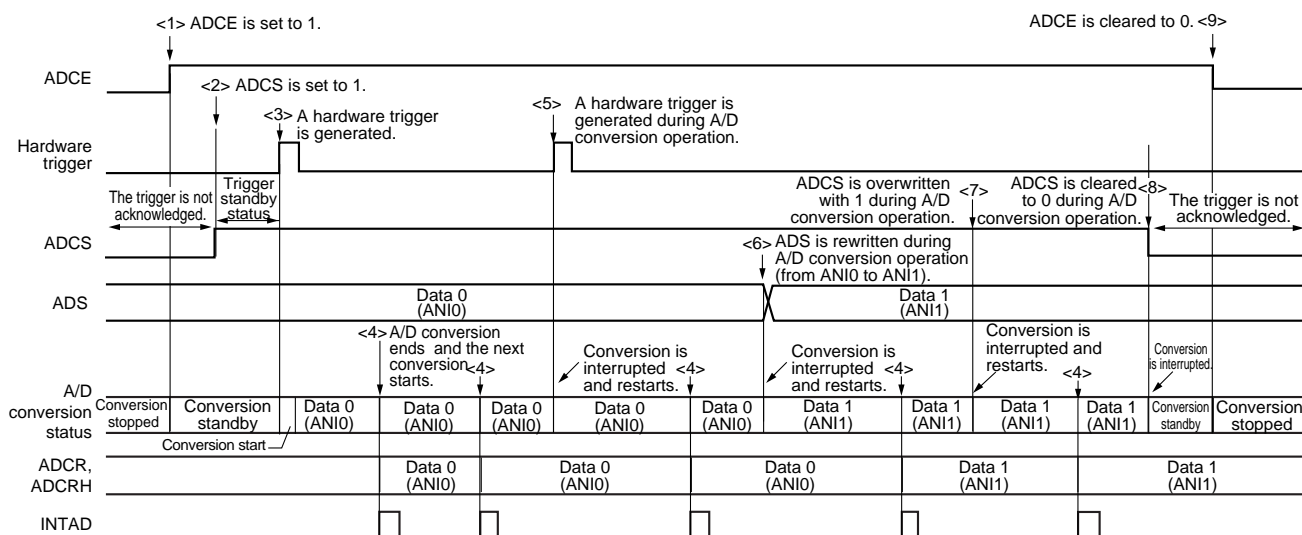
Figure 15-21. Example of Software Trigger Mode (Scan Mode, One-shot Conversion Mode) Operation Timing



15.6.5 Hardware trigger no-wait mode (select mode, sequential conversion mode)

- <1> In the stop status, the ADCE bit of A/D converter mode register 0 (ADM0) is set to 1, and the system enters the A/D conversion standby status.
- <2> After the software counts up to the stabilization wait time (1 μ s), the ADCS bit of the ADM0 register is set to 1 to place the system in the hardware trigger standby status (and conversion does not start at this stage). Note that, while in this status, A/D conversion does not start even if ADCS is set to 1.
- <3> If a hardware trigger is input while ADCS = 1, A/D conversion is performed on the analog input specified by the analog input channel specification register (ADS).
- <4> When A/D conversion ends, the conversion result is stored in the A/D conversion result register (ADCR, ADCRH), and the A/D conversion end interrupt request signal (INTAD) is generated. After A/D conversion ends, the next A/D conversion immediately starts.
- <5> If a hardware trigger is input during conversion operation, the current A/D conversion is interrupted, and conversion restarts. The partially converted data is discarded.
- <6> When the value of the ADS register is rewritten or overwritten during conversion operation, the current A/D conversion is interrupted, and A/D conversion is performed on the analog input respecified by the ADS register. The partially converted data is discarded.
- <7> When ADCS is overwritten with 1 during conversion operation, the current A/D conversion is interrupted, and conversion restarts. The partially converted data is discarded.
- <8> When ADCS is cleared to 0 during conversion operation, the current A/D conversion is interrupted, and the system enters the A/D conversion standby status. However, the A/D converter does not stop in this status.
- <9> When ADCE is cleared to 0 while in the A/D conversion standby status, the A/D converter enters the stop status. When ADCS = 0, inputting a hardware trigger is ignored and A/D conversion does not start.

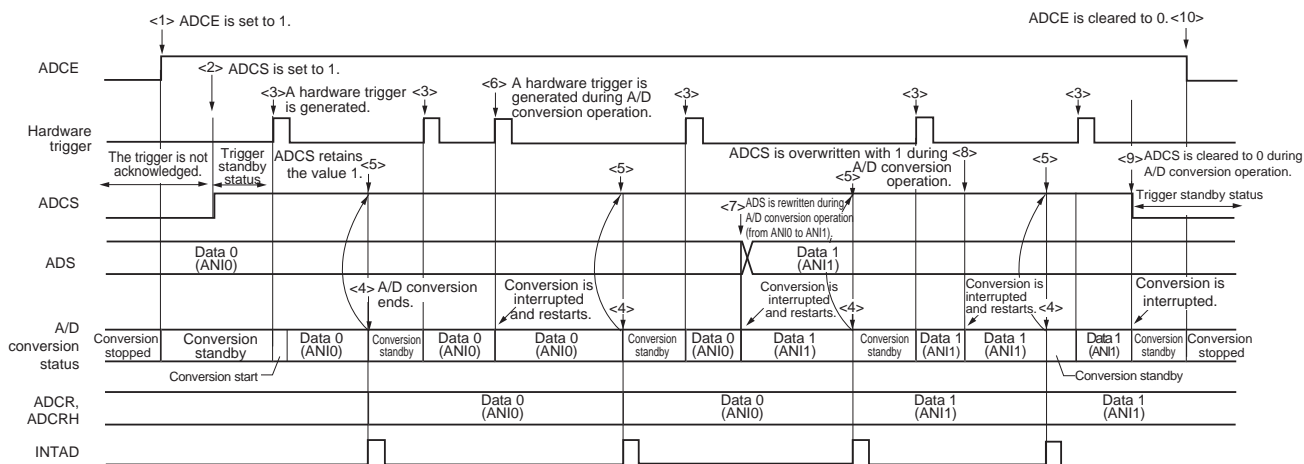
Figure 15-22. Example of Hardware Trigger No-wait Mode (Select Mode, Sequential Conversion Mode) Operation Timing



15.6.6 Hardware trigger no-wait mode (select mode, one-shot conversion mode)

- <1> In the stop status, the ADCE bit of A/D converter mode register 0 (ADM0) is set to 1, and the system enters the A/D conversion standby status.
- <2> After the software counts up to the stabilization wait time (1 μ s), the ADCS bit of the ADM0 register is set to 1 to place the system in the hardware trigger standby status (and conversion does not start at this stage). Note that, while in this status, A/D conversion does not start even if ADCS is set to 1.
- <3> If a hardware trigger is input while ADCS = 1, A/D conversion is performed on the analog input specified by the analog input channel specification register (ADS).
- <4> When A/D conversion ends, the conversion result is stored in the A/D conversion result register (ADCR, ADCRH), and the A/D conversion end interrupt request signal (INTAD) is generated.
- <5> After A/D conversion ends, the ADCS bit remains set to 1, and the system enters the A/D conversion standby status.
- <6> If a hardware trigger is input during conversion operation, the current A/D conversion is interrupted, and conversion restarts. The partially converted data is discarded.
- <7> When the value of the ADS register is rewritten or overwritten during conversion operation, the current A/D conversion is interrupted, and A/D conversion is performed on the analog input respecified by the ADS register. The partially converted data is discarded.
- <8> When ADCS is overwritten with 1 during conversion operation, the current A/D conversion is interrupted, and conversion restarts. The partially converted data is discarded.
- <9> When ADCS is cleared to 0 during conversion operation, the current A/D conversion is interrupted, and the system enters the A/D conversion standby status. However, the A/D converter does not stop in this status.
- <10> When ADCE is cleared to 0 while in the A/D conversion standby status, the A/D converter enters the stop status. When ADCS = 0, inputting a hardware trigger is ignored and A/D conversion does not start.

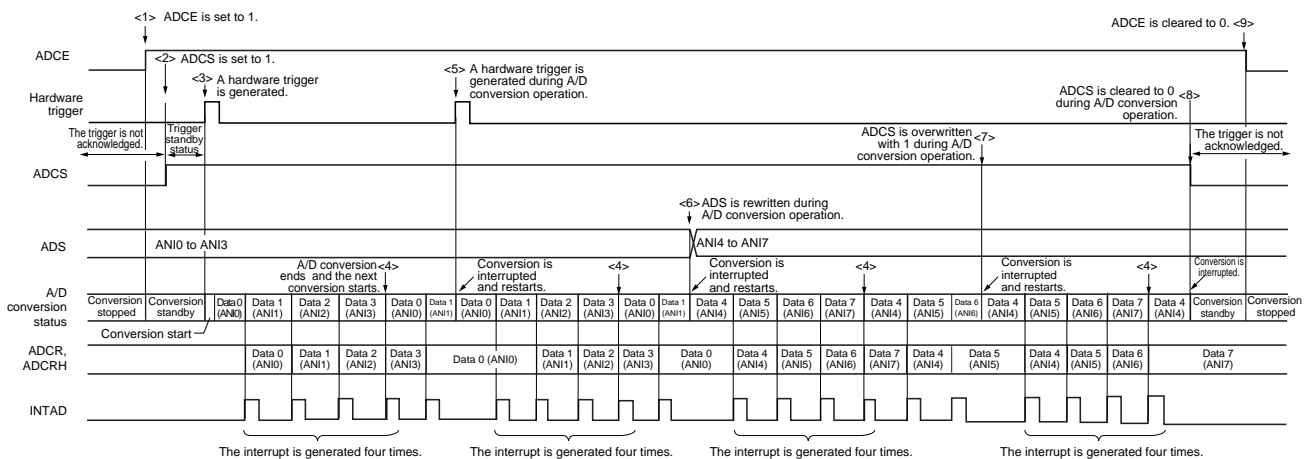
Figure 15-23. Example of Hardware Trigger No-wait Mode (Select Mode, One-shot Conversion Mode) Operation Timing



15.6.7 Hardware trigger no-wait mode (scan mode, sequential conversion mode)

- <1> In the stop status, the ADCE bit of A/D converter mode register 0 (ADM0) is set to 1, and the system enters the A/D conversion standby status.
- <2> After the software counts up to the stabilization wait time (1 μ s), the ADCS bit of the ADM0 register is set to 1 to place the system in the hardware trigger standby status (and conversion does not start at this stage). Note that, while in this status, A/D conversion does not start even if ADCS is set to 1.
- <3> If a hardware trigger is input while ADCS = 1, A/D conversion is performed on the four analog input channels specified by scan 0 to scan 3, which are specified by the analog input channel specification register (ADS). A/D conversion is performed on the analog input channels in order, starting with that specified by scan 0.
- <4> A/D conversion is sequentially performed on the four analog input channels, the conversion results are stored in the A/D conversion result register (ADCR, ADCRH) each time conversion ends, and the A/D conversion end interrupt request signal (INTAD) is generated. After A/D conversion of the four channels ends, the A/D conversion of the channel following the specified channel automatically starts.
- <5> If a hardware trigger is input during conversion operation, the current A/D conversion is interrupted, and conversion restarts at the first channel. The partially converted data is discarded.
- <6> When the value of the ADS register is rewritten or overwritten during conversion operation, the current A/D conversion is interrupted, and A/D conversion is performed on the first channel respecified by the ADS register. The partially converted data is discarded.
- <7> When ADCS is overwritten with 1 during conversion operation, the current A/D conversion is interrupted, and conversion restarts. The partially converted data is discarded.
- <8> When ADCS is cleared to 0 during conversion operation, the current A/D conversion is interrupted, and the system enters the A/D conversion standby status. However, the A/D converter does not stop in this status.
- <9> When ADCE is cleared to 0 while in the A/D conversion standby status, the A/D converter enters the stop status. When ADCE = 0, specifying 1 for ADCS is ignored and A/D conversion does not start.

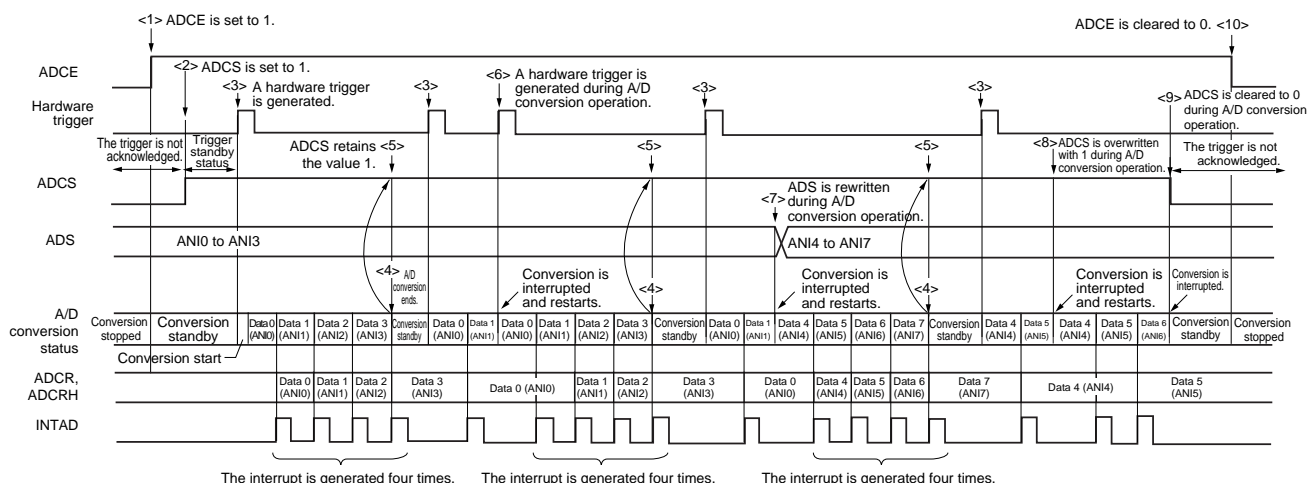
Figure 15-24. Example of Hardware Trigger No-wait Mode (Scan Mode, Sequential Conversion Mode) Operation Timing



15.6.8 Hardware trigger no-wait mode (scan mode, one-shot conversion mode)

- <1> In the stop status, the ADCE bit of A/D converter mode register 0 (ADM0) is set to 1, and the system enters the A/D conversion standby status.
- <2> After the software counts up to the stabilization wait time (1 μ s), the ADCS bit of the ADM0 register is set to 1 to place the system in the hardware trigger standby status (and conversion does not start at this stage). Note that, while in this status, A/D conversion does not start even if ADCS is set to 1.
- <3> If a hardware trigger is input while ADCS = 1, A/D conversion is performed on the four analog input channels specified by scan 0 to scan 3, which are specified by the analog input channel specification register (ADS). A/D conversion is performed on the analog input channels in order, starting with that specified by scan 0.
- <4> A/D conversion is sequentially performed on the four analog input channels, the conversion results are stored in the A/D conversion result register (ADCR, ADCRH) each time conversion ends, and the A/D conversion end interrupt request signal (INTAD) is generated.
- <5> After A/D conversion of the four channels ends, the ADCS bit remains set to 1, and the system enters the A/D conversion standby status.
- <6> If a hardware trigger is input during conversion operation, the current A/D conversion is interrupted, and conversion restarts at the first channel. The partially converted data is discarded.
- <7> When the value of the ADS register is rewritten or overwritten during conversion operation, the current A/D conversion is interrupted, and A/D conversion is performed on the first channel respecified by the ADS register. The partially converted data is discarded.
- <8> When ADCS is overwritten with 1 during conversion operation, the current A/D conversion is interrupted, and conversion restarts at the first channel. The partially converted data is discarded.
- <9> When ADCS is cleared to 0 during conversion operation, the current A/D conversion is interrupted, and the system enters the A/D conversion standby status. However, the A/D converter does not stop in this status.
- <10> When ADCE is cleared to 0 while in the A/D conversion standby status, the A/D converter enters the stop status. When ADCS = 0, inputting a hardware trigger is ignored and A/D conversion does not start.

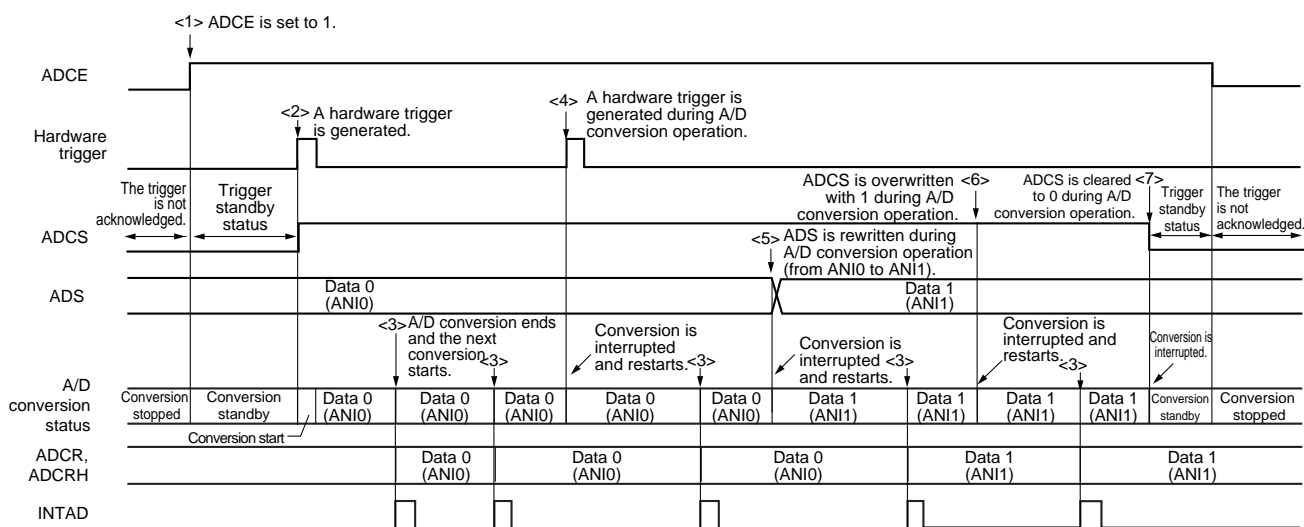
Figure 15-25. Example of Hardware Trigger No-wait Mode (Scan Mode, One-shot Conversion Mode) Operation Timing



15.6.9 Hardware trigger wait mode (select mode, sequential conversion mode)

- <1> In the stop status, the ADCE bit of A/D converter mode register 0 (ADM0) is set to 1, and the system enters the hardware trigger standby status.
- <2> If a hardware trigger is input while in the hardware trigger standby status, A/D conversion is performed on the analog input specified by the analog input channel specification register (ADS). The ADCS bit of the ADM0 register is automatically set to 1 according to the hardware trigger input.
- <3> When A/D conversion ends, the conversion result is stored in the A/D conversion result register (ADCR, ADCRH), and the A/D conversion end interrupt request signal (INTAD) is generated. After A/D conversion ends, the next A/D conversion immediately starts. (At this time, no hardware trigger is necessary.)
- <4> If a hardware trigger is input during conversion operation, the current A/D conversion is interrupted, and conversion restarts. The partially converted data is discarded.
- <5> When the value of the ADS register is rewritten or overwritten during conversion operation, the current A/D conversion is interrupted, and A/D conversion is performed on the analog input respecified by the ADS register. The partially converted data is discarded.
- <6> When ADCS is overwritten with 1 during conversion operation, the current A/D conversion is interrupted, and conversion restarts. The partially converted data is discarded.
- <7> When ADCS is cleared to 0 during conversion operation, the current A/D conversion is interrupted, the system enters the hardware trigger standby status, and the A/D converter enters the stop status. When ADCE = 0, inputting a hardware trigger is ignored and A/D conversion does not start.

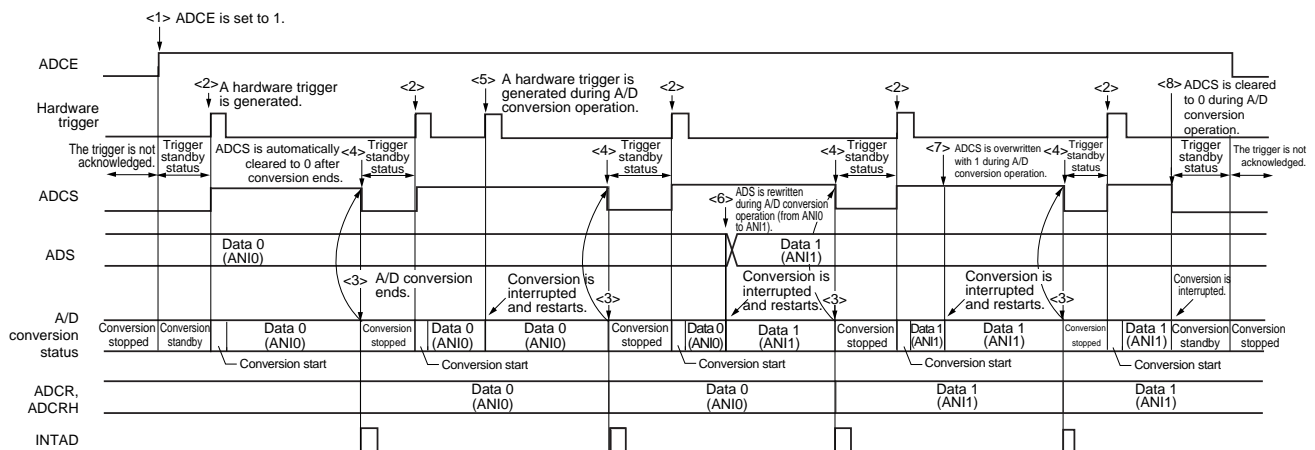
Figure 15-26. Example of Hardware Trigger Wait Mode (Select Mode, Sequential Conversion Mode) Operation Timing



15.6.10 Hardware trigger wait mode (select mode, one-shot conversion mode)

- <1> In the stop status, the ADCE bit of A/D converter mode register 0 (ADM0) is set to 1, and the system enters the hardware trigger standby status.
- <2> If a hardware trigger is input while in the hardware trigger standby status, A/D conversion is performed on the analog input specified by the analog input channel specification register (ADS). The ADCS bit of the ADM0 register is automatically set to 1 according to the hardware trigger input.
- <3> When A/D conversion ends, the conversion result is stored in the A/D conversion result register (ADCR, ADCRH), and the A/D conversion end interrupt request signal (INTAD) is generated.
- <4> After A/D conversion ends, the ADCS bit is automatically cleared to 0, and the A/D converter enters the stop status.
- <5> If a hardware trigger is input during conversion operation, the current A/D conversion is interrupted, and conversion restarts. The partially converted data is discarded.
- <6> When the value of the ADS register is rewritten or overwritten during conversion operation, the current A/D conversion is interrupted, and A/D conversion is performed on the analog input respecified by the ADS register. The partially converted data is discarded.
- <7> When ADCS is overwritten with 1 during conversion operation, the current A/D conversion is interrupted, and conversion restarts. The partially converted data is initialized.
- <8> When ADCS is cleared to 0 during conversion operation, the current A/D conversion is interrupted, the system enters the hardware trigger standby status, and the A/D converter enters the stop status. When ADCE = 0, inputting a hardware trigger is ignored and A/D conversion does not start.

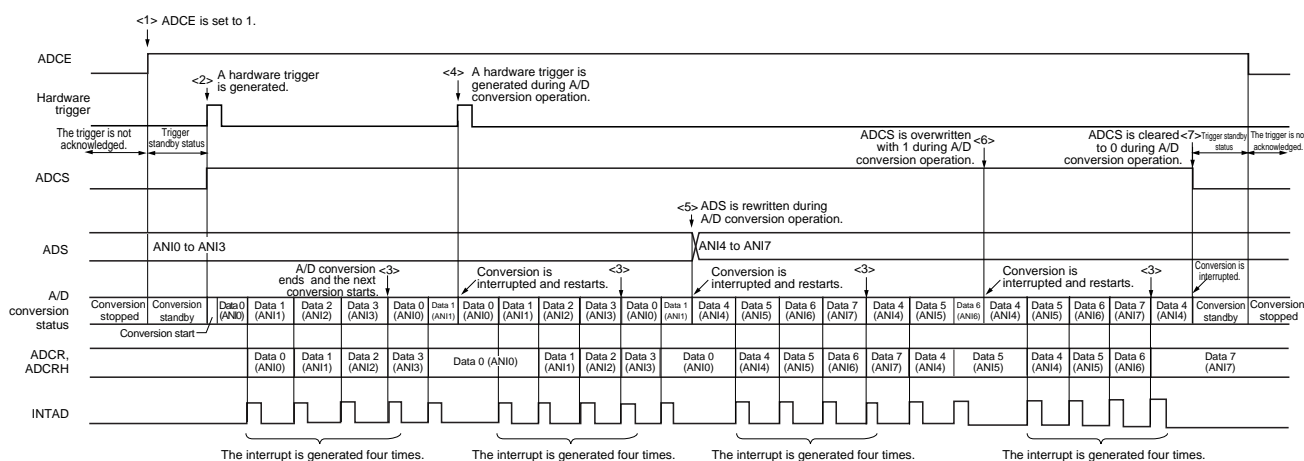
Figure 15-27. Example of Hardware Trigger Wait Mode (Select Mode, One-shot Conversion Mode) Operation Timing



15.6.11 Hardware trigger wait mode (scan mode, sequential conversion mode)

- <1> In the stop status, the ADCE bit of A/D converter mode register 0 (ADM0) is set to 1, and the system enters the A/D conversion standby status.
- <2> If a hardware trigger is input while in the hardware trigger standby status, A/D conversion is performed on the four analog input channels specified by scan 0 to scan 3, which are specified by the analog input channel specification register (ADS). The ADCS bit of the ADM0 register is automatically set to 1 according to the hardware trigger input. A/D conversion is performed on the analog input channels in order, starting with that specified by scan 0.
- <3> A/D conversion is sequentially performed on the four analog input channels, the conversion results are stored in the A/D conversion result register (ADCR, ADCRH) each time conversion ends, and the A/D conversion end interrupt request signal (INTAD) is generated. After A/D conversion of the four channels ends, the A/D conversion of the channel following the specified channel automatically starts.
- <4> If a hardware trigger is input during conversion operation, the current A/D conversion is interrupted, and conversion restarts at the first channel. The partially converted data is discarded.
- <5> When the value of the ADS register is rewritten or overwritten during conversion operation, the current A/D conversion is interrupted, and A/D conversion is performed on the first channel respecified by the ADS register. The partially converted data is discarded.
- <6> When ADCS is overwritten with 1 during conversion operation, the current A/D conversion is interrupted, and conversion restarts. The partially converted data is discarded.
- <7> When ADCS is cleared to 0 during conversion operation, the current A/D conversion is interrupted, the system enters the hardware trigger standby status, and the A/D converter enters the stop status. When ADCE = 0, inputting a hardware trigger is ignored and A/D conversion does not start.

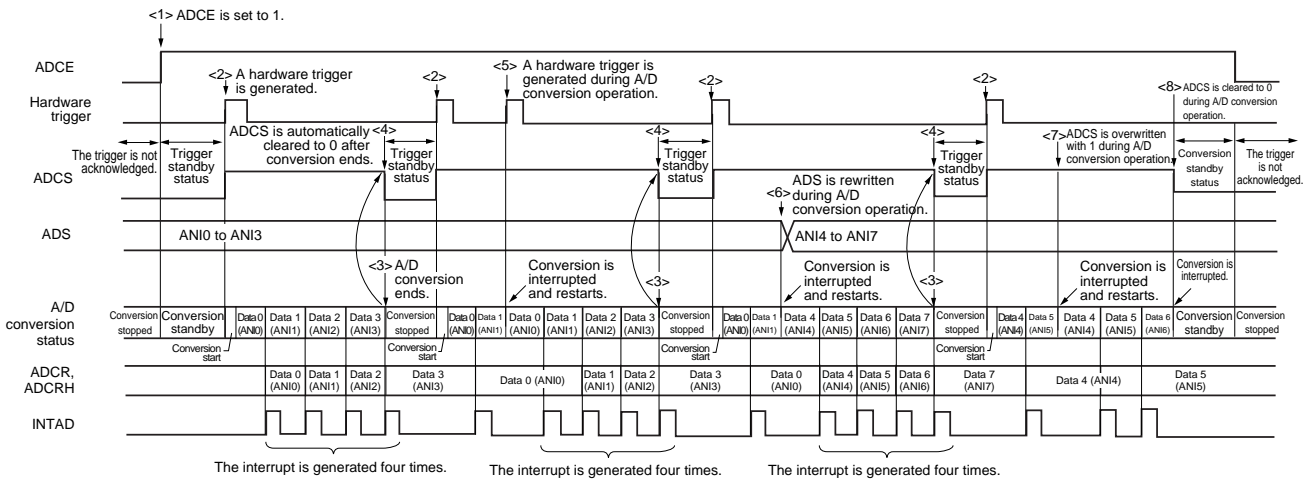
Figure 15-28. Example of Hardware Trigger Wait Mode (Scan Mode, Sequential Conversion Mode) Operation Timing



15.6.12 Hardware trigger wait mode (scan mode, one-shot conversion mode)

- <1> In the stop status, the ADCE bit of A/D converter mode register 0 (ADM0) is set to 1, and the system enters the A/D conversion standby status.
- <2> If a hardware trigger is input while in the hardware trigger standby status, A/D conversion is performed on the four analog input channels specified by scan 0 to scan 3, which are specified by the analog input channel specification register (ADS). The ADCS bit of the ADM0 register is automatically set to 1 according to the hardware trigger input. A/D conversion is performed on the analog input channels in order, starting with that specified by scan 0.
- <3> A/D conversion is sequentially performed on the four analog input channels, the conversion results are stored in the A/D conversion result register (ADCR, ADCRH) each time conversion ends, and the A/D conversion end interrupt request signal (INTAD) is generated.
- <4> After A/D conversion ends, the ADCS bit is automatically cleared to 0, and the A/D converter enters the stop status.
- <5> If a hardware trigger is input during conversion operation, the current A/D conversion is interrupted, and conversion restarts at the first channel. The partially converted data is discarded.
- <6> When the value of the ADS register is rewritten or overwritten during conversion operation, the current A/D conversion is interrupted, and A/D conversion is performed on the first channel respecified by the ADS register. The partially converted data is discarded.
- <7> When ADCS is overwritten with 1 during conversion operation, the current A/D conversion is interrupted, and conversion restarts. The partially converted data is discarded.
- <8> When ADCS is cleared to 0 during conversion operation, the current A/D conversion is interrupted, the system enters the hardware trigger standby status, and the A/D converter enters the stop status. When ADCE = 0, inputting a hardware trigger is ignored and A/D conversion does not start.

Figure 15-29. Example of Hardware Trigger Wait Mode (Scan Mode, One-shot Conversion Mode) Operation Timing

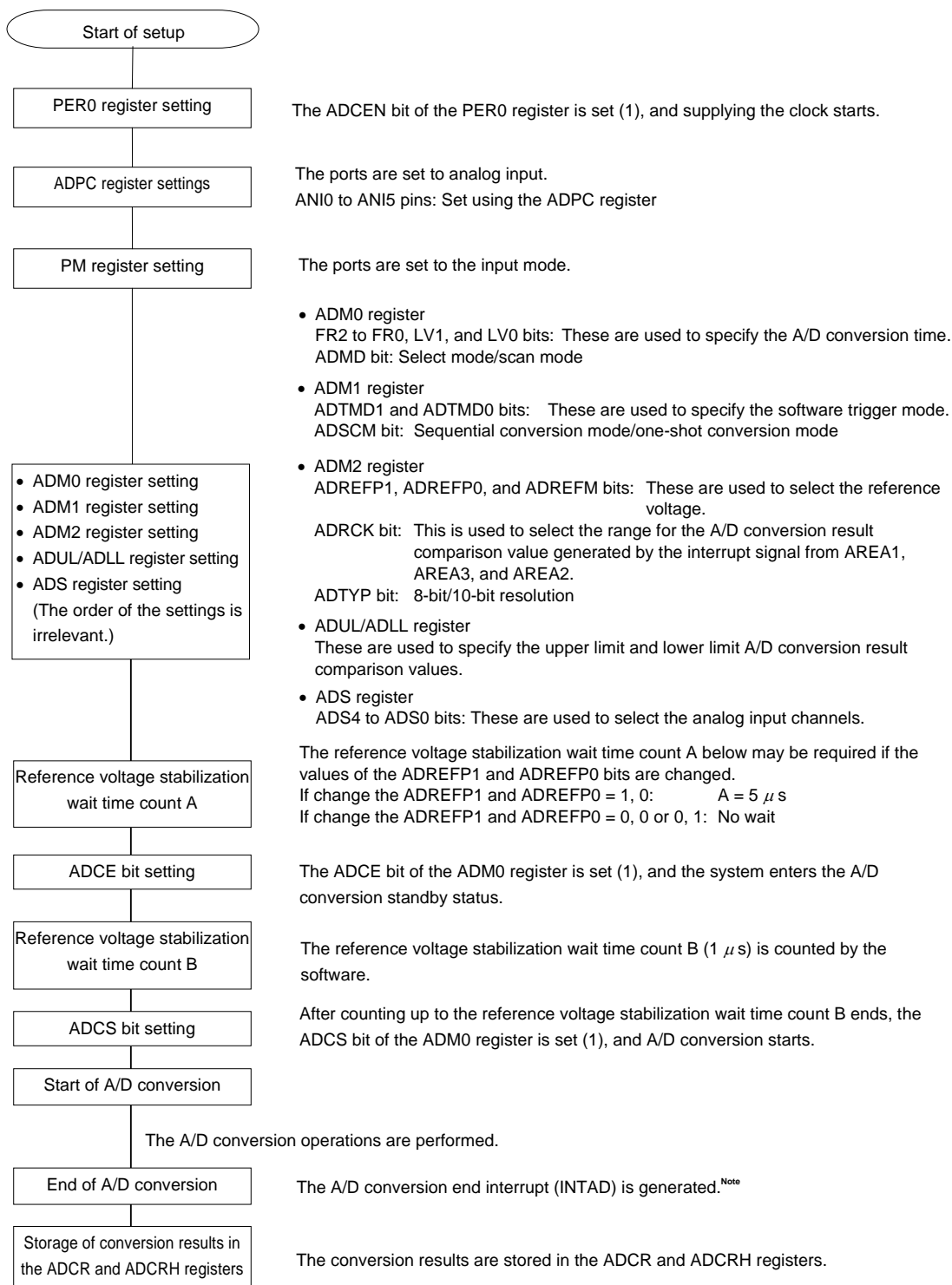


15.7 A/D Converter Setup Flowchart

The A/D converter setup flowchart in each operation mode is described below.

15.7.1 Setting up software trigger mode

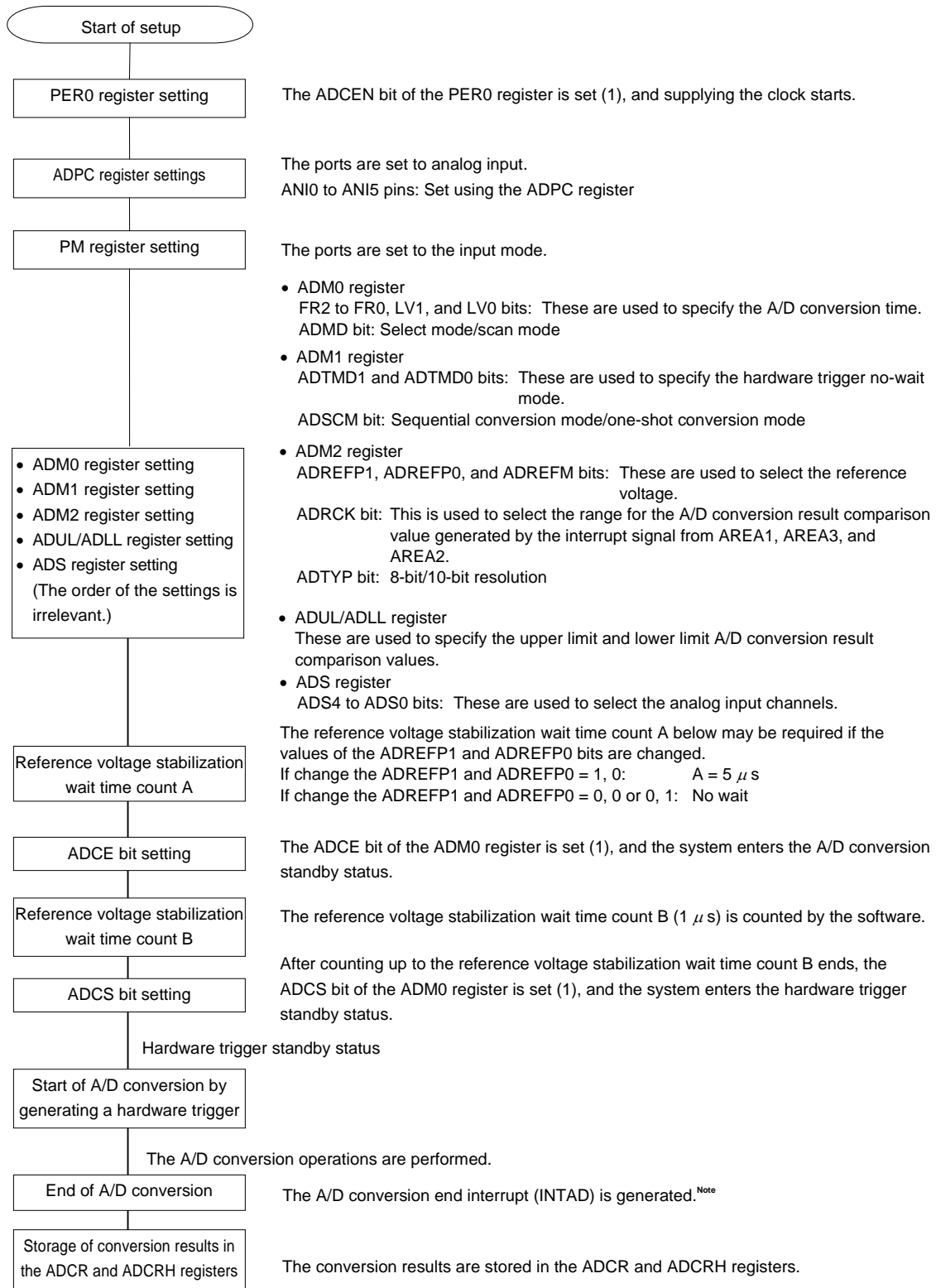
Figure 15-30. Setting up Software Trigger Mode



Note Depending on the settings of the ADRCK bit and ADUL/ADLL register, there is a possibility of no interrupt signal being generated. In this case, the results are not stored in the ADCR, ADCRH registers.

15.7.2 Setting up hardware trigger no-wait mode

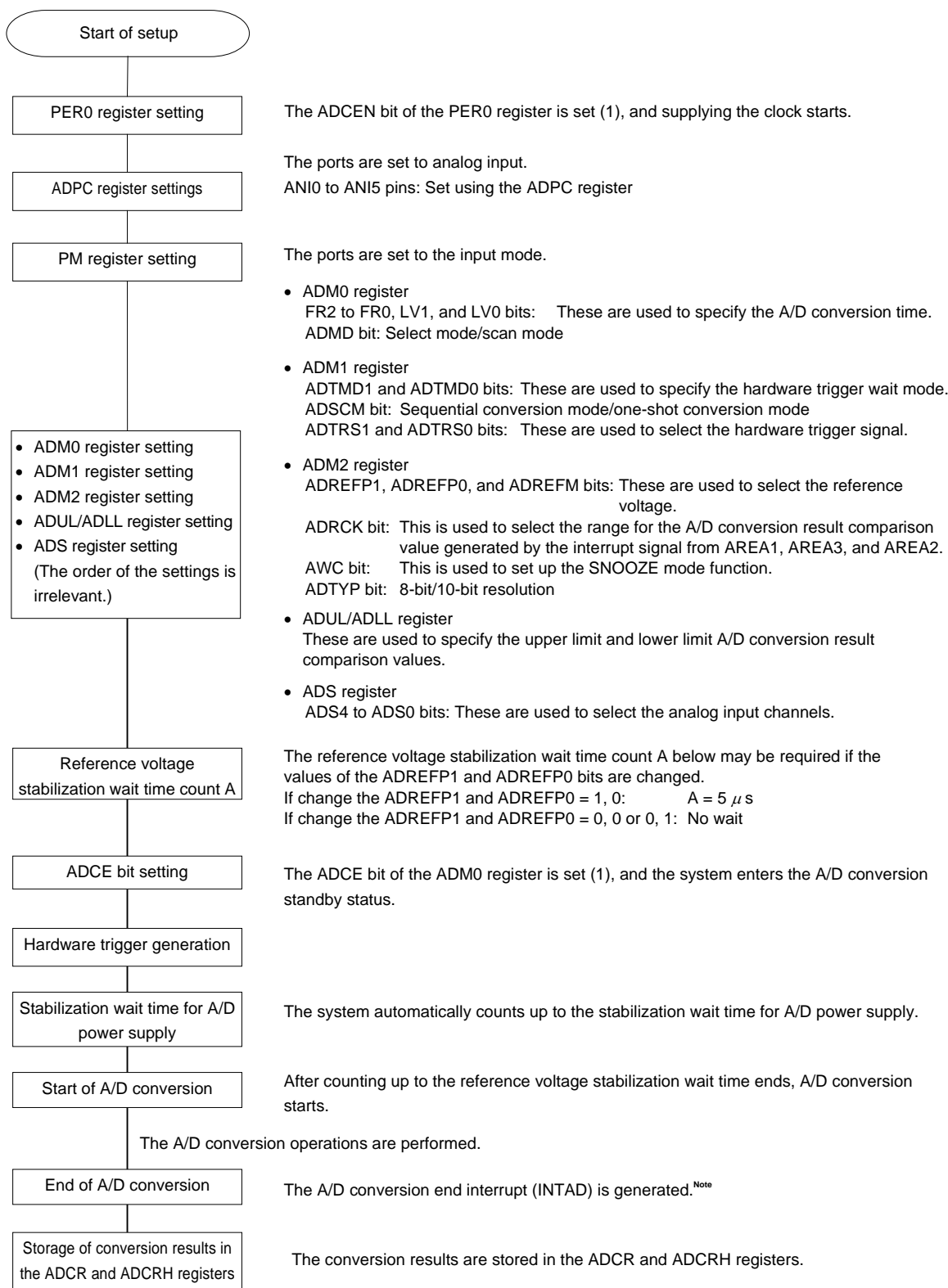
Figure 15-31. Setting up Hardware Trigger No-wait Mode



Note Depending on the settings of the ADRCK bit and ADUL/ADLL register, there is a possibility of no interrupt signal being generated. In this case, the results are not stored in the ADCR, ADCRH registers.

15.7.3 Setting up hardware trigger wait mode

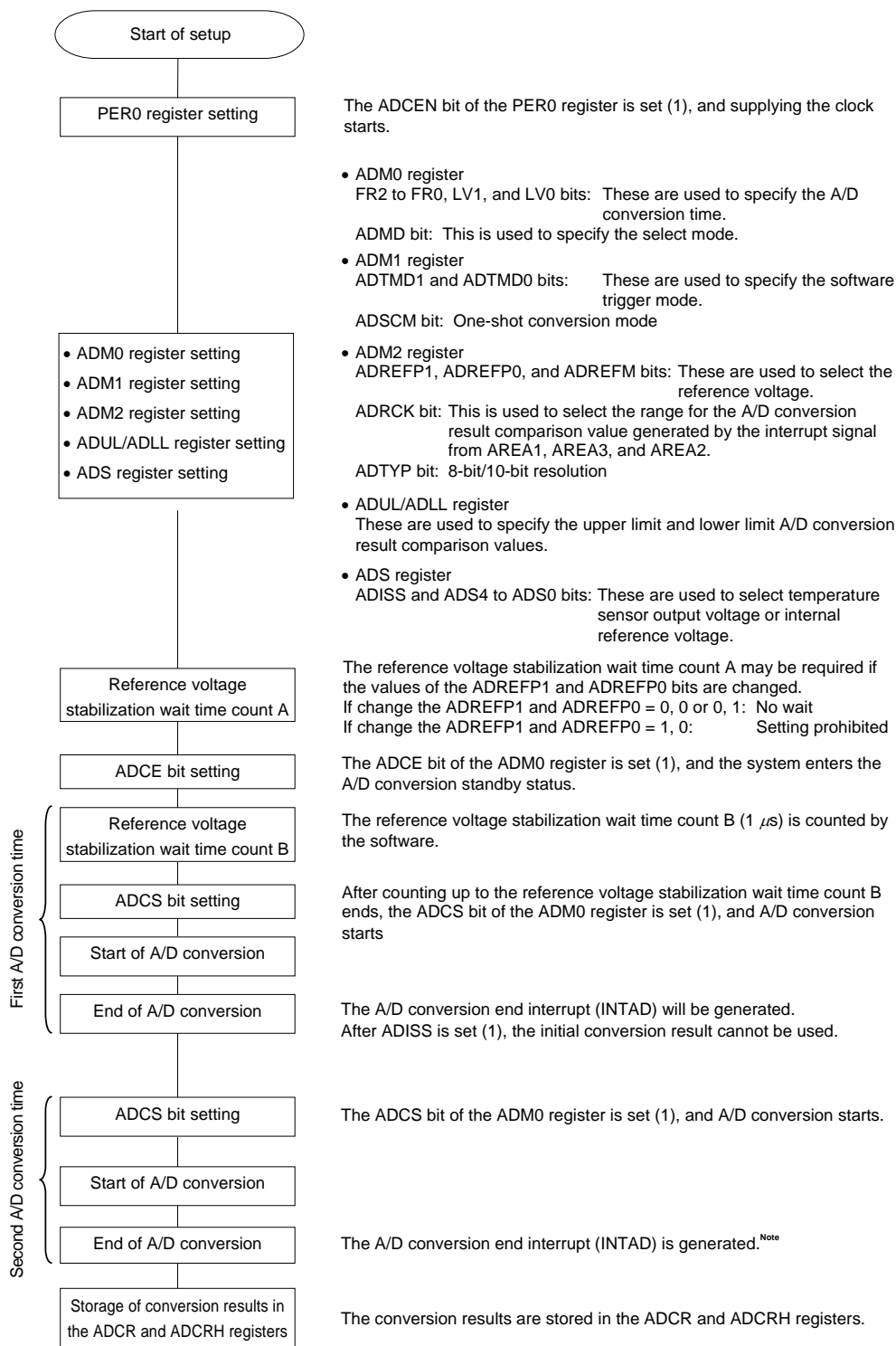
Figure 15-32. Setting up Hardware Trigger Wait Mode



Note Depending on the settings of the ADRCK bit and ADUL/ADLL register, there is a possibility of no interrupt signal being generated. In this case, the results are not stored in the ADCR, ADCRH registers.

15.7.4 Setup when temperature sensor output voltage/internal reference voltage is selected (example for software trigger mode and one-shot conversion mode)

Figure 15-33. Setup When Temperature Sensor Output Voltage/Internal Reference Voltage Is Selected

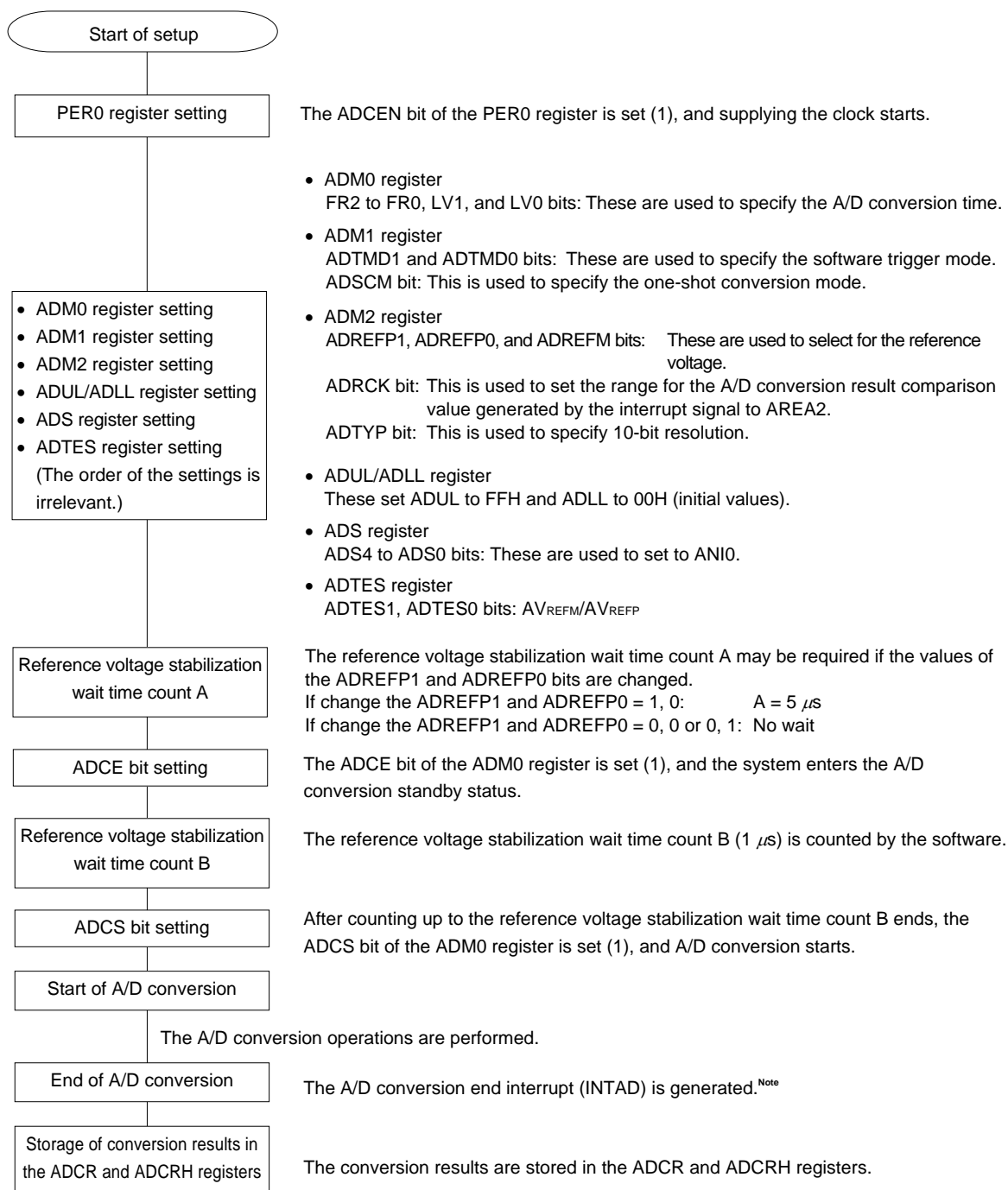


Note Depending on the settings of the ADRCK bit and ADUL/ADLL register, there is a possibility of no interrupt signal being generated. In this case, the results are not stored in the ADCR and ADCRH registers.

Caution This setting can be used only in HS (high-speed main) mode.

15.7.5 Setting up test mode

Figure 15-34. Setting up Test Mode



Note Depending on the settings of the ADRCK bit and ADUL/ADLL register, there is a possibility of no interrupt signal being generated. In this case, the results are not stored in the ADCR, ADCRH registers.

Caution For the procedure for testing the A/D converter, see 32.3.8 A/D test function.

15.8 SNOOZE Mode Function

In the SNOOZE mode, A/D conversion is triggered by inputting a hardware trigger in the STOP mode. Normally, A/D conversion is stopped while in the STOP mode, but, by using the SNOOZE mode, A/D conversion can be performed without operating the CPU. This is effective for reducing the operation current.

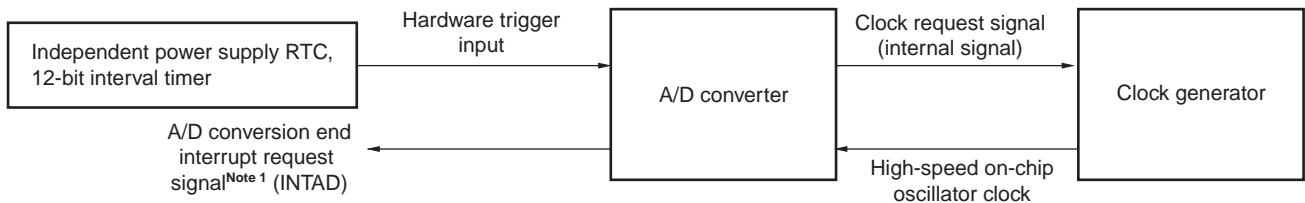
If the A/D conversion result range is specified using the ADUL and ADLL registers, A/D conversion results can be judged at a certain interval of time in SNOOZE mode. Using this function enables power supply voltage monitoring and input key judgment based on A/D inputs.

In the SNOOZE mode, only the following conversion modes can be used:

- Hardware trigger wait mode (select mode, one-shot conversion mode)
- Hardware trigger wait mode (scan mode, one-shot conversion mode)

<R> **Caution** That the SNOOZE mode can only be specified when the high-speed on-chip oscillator clock (f_{IH}) or the medium-speed on-chip oscillator clock (f_{IM}) is selected for f_{CLK} .

Figure 15-35. Block Diagram When Using SNOOZE Mode Function



When using the SNOOZE mode function, the initial setting of each register is specified before switching to the STOP mode (for details about these settings, see **15.7.3 Setting up hardware trigger wait mode**^{Note 2}). Just before move to STOP mode, bit 2 (AWC) of A/D converter mode register 2 (ADM2) is set to 1. After the initial settings are specified, bit 0 (ADCE) of A/D converter mode register 0 (ADM0) is set to 1.

If a hardware trigger is input after switching to the STOP mode, the high-speed on-chip oscillator clock is supplied to the A/D converter. After supplying this clock, the system automatically counts up to the A/D power supply stabilization wait time, and then A/D conversion starts.

The SNOOZE mode operation after A/D conversion ends differs depending on whether an interrupt signal is generated^{Note 1}.

- Notes**
1. Depending on the setting of the A/D conversion result comparison function (ADRCK bit, ADUL/ADLL register), there is a possibility of no interrupt signal being generated.
 2. Be sure to set the ADM1 register to E2H or E3H.

<R> **Remark** The hardware trigger is INTRTCALM/INTRTCPRD or INTIT.
Specify the hardware trigger by using the A/D Converter Mode Register 1 (ADM1).

(1) If an interrupt is generated after A/D conversion ends

If the A/D conversion result value is inside the range of values specified by the A/D conversion result comparison function (which is set up by using the ADRCK bit and ADUL/ADLL register), the A/D conversion end interrupt request signal (INTAD) is generated.

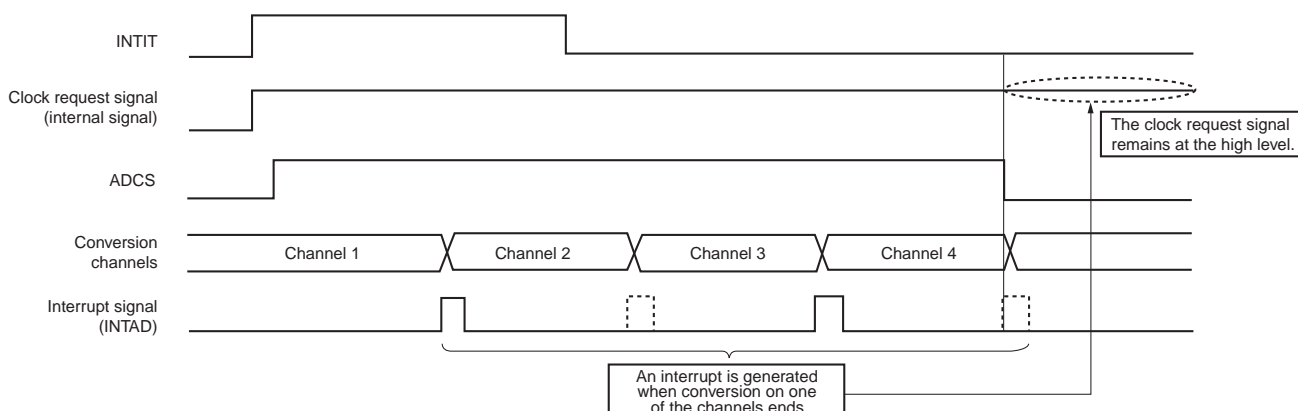
- While in the select mode

When A/D conversion ends and an A/D conversion end interrupt request signal (INTAD) is generated, the A/D converter returns to normal operation mode from SNOOZE mode. At this time, be sure to clear bit 2 (AWC = 0: SNOOZE mode release) of the A/D converter mode register 2 (ADM2). If the AWC bit is left set to 1, A/D conversion will not start normally in the subsequent SNOOZE or normal operation mode.

- While in the scan mode

If even one A/D conversion end interrupt request signal (INTAD) is generated during A/D conversion of the four channels, the clock request signal remains at the high level, and the A/D converter switches from the SNOOZE mode to the normal operation mode. At this time, be sure to clear bit 2 (AWC = 0: SNOOZE mode release) of A/D converter mode register 2 (ADM2) to 0. If the AWC bit is left set to 1, A/D conversion will not start normally in the subsequent SNOOZE or normal operation mode.

Figure 15-36. Operation Example When Interrupt Is Generated After A/D Conversion Ends (While in Scan Mode)



(2) If no interrupt is generated after A/D conversion ends

If the A/D conversion result value is outside the range of values specified by the A/D conversion result comparison function (which is set up by using the ADRCK bit and ADUL/ADLL register), the A/D conversion end interrupt request signal (INTAD) is not generated.

- While in the select mode

If the A/D conversion end interrupt request signal (INTAD) is not generated after A/D conversion ends, the clock request signal (an internal signal) is automatically set to the low level, and supplying the high-speed on-chip oscillator clock stops. If a hardware trigger is input later, A/D conversion work is again performed in the SNOOZE mode.

- While in the scan mode

If the A/D conversion end interrupt request signal (INTAD) is not generated even once during A/D conversion of the four channels, the clock request signal (an internal signal) is automatically set to the low level after A/D conversion of the four channels ends, and supplying the high-speed on-chip oscillator clock stops. If a hardware trigger is input later, A/D conversion work is again performed in the SNOOZE mode.

Figure 15-37. Operation Example When No Interrupt Is Generated After A/D Conversion Ends (While in Scan Mode)

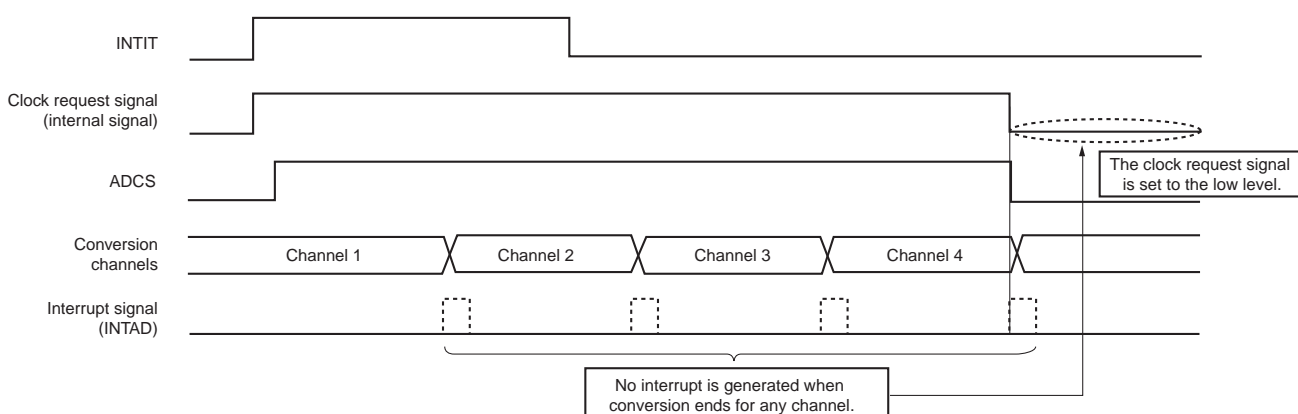
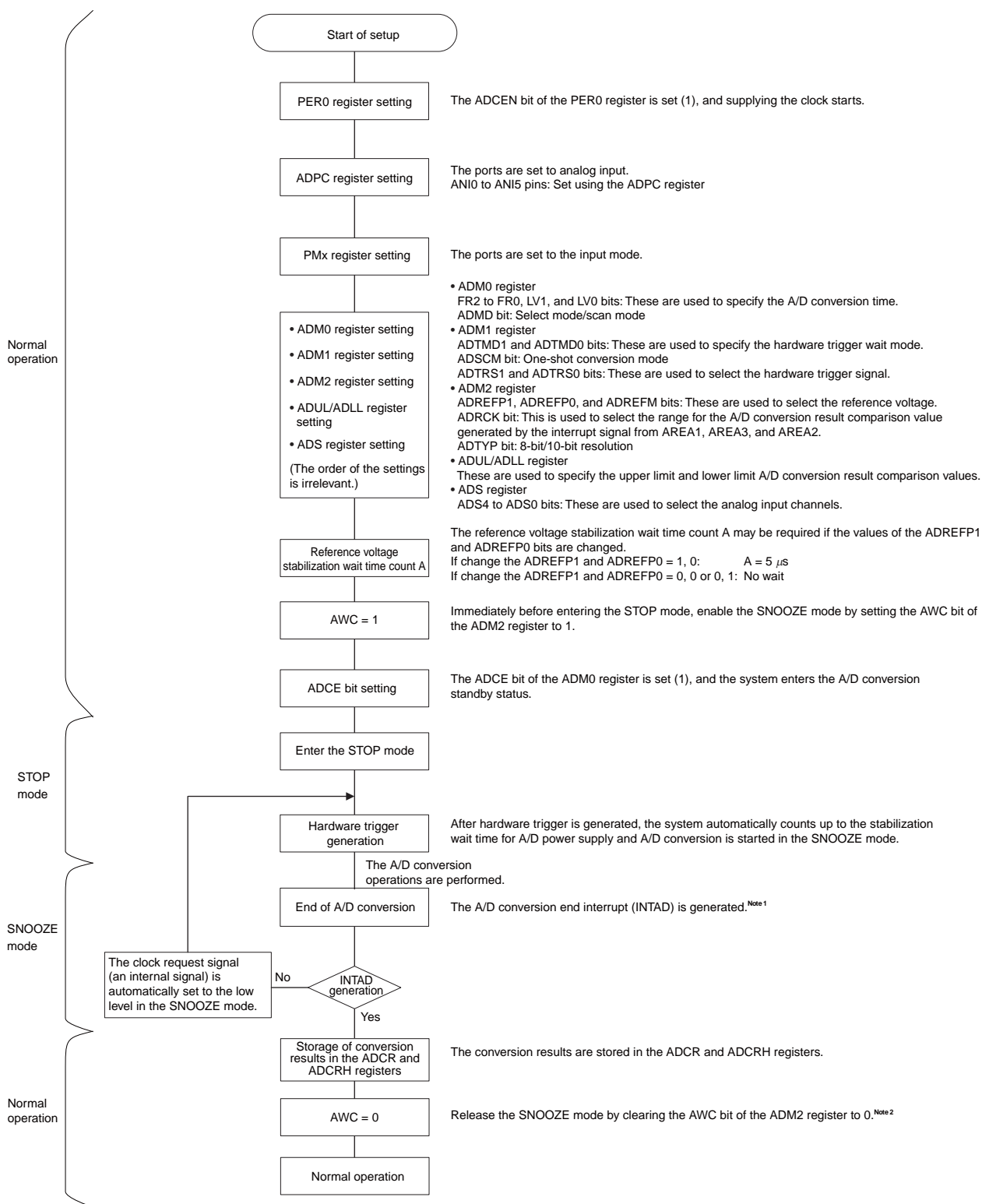


Figure 15-38. Flowchart for Setting up SNOOZE Mode



- Notes**
1. If the A/D conversion end interrupt request signal (INTAD) is not generated by setting ADRCK bit and ADUL/ADLL register, the result is not stored in the ADCR and ADCRH registers. The system enters the STOP mode again. If a hardware trigger is input later, A/D conversion operation is again performed in the SNOOZE mode.
 2. If the AWC bit is left set to 1, A/D conversion will not start normally in spite of the subsequent SNOOZE or normal operation mode. Be sure to clear the AWC bit to 0.

15.9 How to Read A/D Converter Characteristics Table

Here, special terms unique to the A/D converter are explained.

(1) Resolution

This is the minimum analog input voltage that can be identified. That is, the percentage of the analog input voltage per bit of digital output is called 1LSB (Least Significant Bit). The percentage of 1LSB with respect to the full scale is expressed by %FSR (Full Scale Range).

1LSB is as follows when the resolution is 10 bits.

$$1\text{LSB} = 1/2^{10} = 1/1024$$

$$= 0.098\%\text{FSR}$$

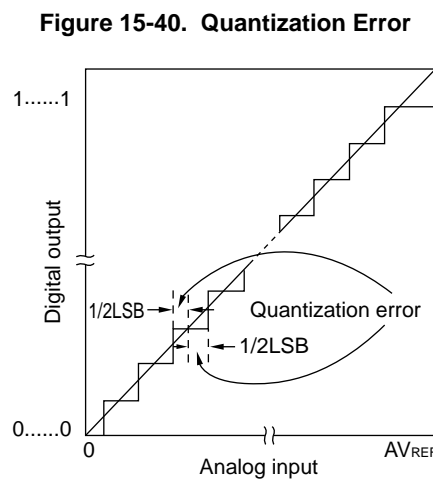
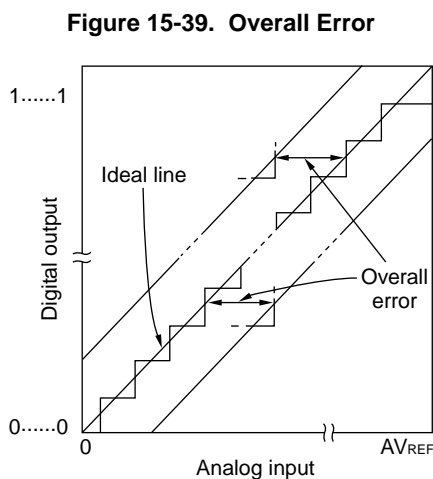
Accuracy has no relation to resolution, but is determined by overall error.

(2) Overall error

This shows the maximum error value between the actual measured value and the theoretical value. Zero-scale error, full-scale error, integral linearity error, and differential linearity errors that are combinations of these express the overall error. Note that the quantization error is not included in the overall error in the characteristics table.

(3) Quantization error

When analog values are converted to digital values, a $\pm 1/2\text{LSB}$ error naturally occurs. In an A/D converter, an analog input voltage in a range of $\pm 1/2\text{LSB}$ is converted to the same digital code, so a quantization error cannot be avoided. Note that the quantization error is not included in the overall error, zero-scale error, full-scale error, integral linearity error, and differential linearity error in the characteristics table.



(4) Zero-scale error

This shows the difference between the actual measurement value of the analog input voltage and the theoretical value (1/2LSB) when the digital output changes from 0.....000 to 0.....001. If the actual measurement value is greater than the theoretical value, it shows the difference between the actual measurement value of the analog input voltage and the theoretical value (3/2LSB) when the digital output changes from 0.....001 to 0.....010.

(5) Full-scale error

This shows the difference between the actual measurement value of the analog input voltage and the theoretical value (Full-scale – 3/2LSB) when the digital output changes from 1.....110 to 1.....111.

(6) Integral linearity error

This shows the degree to which the conversion characteristics deviate from the ideal linear relationship. It expresses the maximum value of the difference between the actual measurement value and the ideal straight line when the zero-scale error and full-scale error are 0.

(7) Differential linearity error

While the ideal width of code output is 1LSB, this indicates the difference between the actual measurement value and the ideal value.

Figure 15-41. Zero-Scale Error

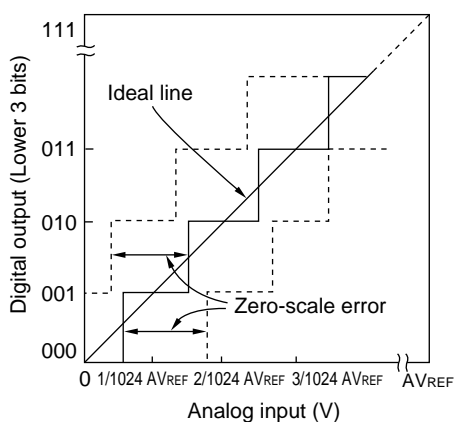


Figure 15-42. Full-Scale Error

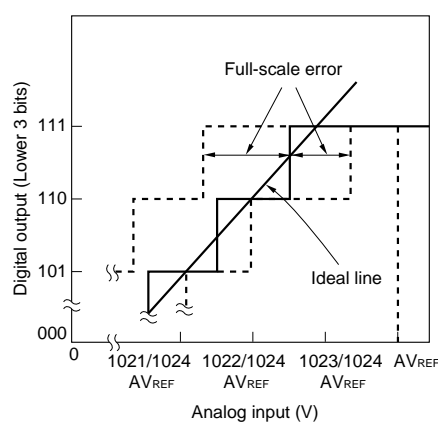


Figure 15-43. Integral Linearity Error

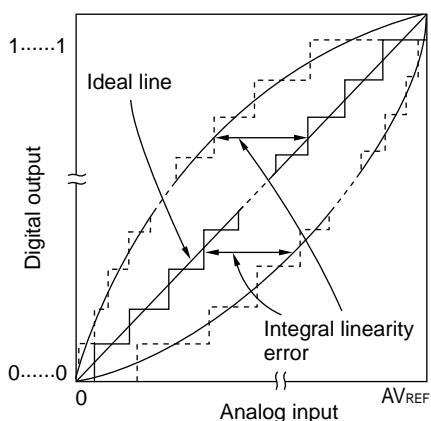
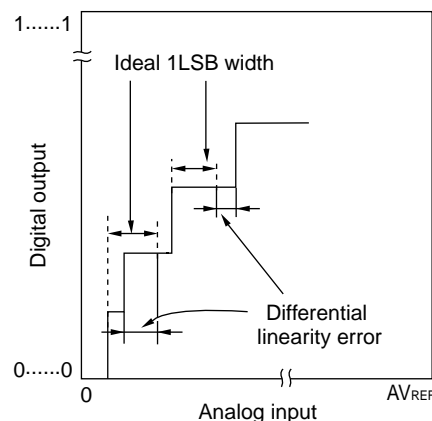


Figure 15-44. Differential Linearity Error

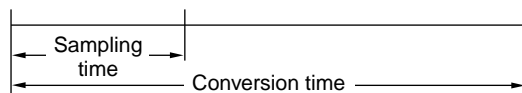


(8) Conversion time

This expresses the time from the start of sampling to when the digital output is obtained. The sampling time is included in the conversion time in the characteristics table.

(9) Sampling time

This is the time the analog switch is turned on for the analog voltage to be sampled by the sample & hold circuit.



15.10 Cautions for A/D Converter

(1) Operating current in STOP mode

Shift to STOP mode after stopping the A/D converter (by setting bit 7 (ADCS) of A/D converter mode register 0 (ADM0) to 0). The operating current can be reduced by setting bit 0 (ADCE) of the ADM0 register to 0 at the same time.

To restart from the standby status, clear bit 0 (ADIF) of interrupt request flag register 1H (IF1H) to 0 and start operation.

(2) Input range of ANI0 to ANI5 pins

Observe the rated range of the ANI0 to ANI5 pins input voltage. If a voltage exceeding V_{DD} and AV_{REFP} or below V_{SS} and AV_{REFM} (even in the range of absolute maximum ratings) is input to an analog input channel, the converted value of that channel becomes undefined. In addition, the converted values of the other channels may also be affected.

When internal reference voltage (1.45 V) is selected reference voltage for the + side of the A/D converter, do not input voltage exceeding internal reference voltage (1.45 V) to a pin selected by the ADS register. However, it is no problem that a voltage exceeding the internal reference voltage (1.45 V) is input to a pin not selected by the ADS register.

Caution Internal reference voltage (1.45 V) can be used only in HS (high-speed main) mode.

(3) Conflicting operations

<1> Conflict between the A/D conversion result register (ADCR, ADCRH) write and the ADCR or ADCRH register read by instruction upon the end of conversion

The ADCR or ADCRH register read has priority. After the read operation, the new conversion result is written to the ADCR or ADCRH registers.

<2> Conflict between the ADCR or ADCRH register write and the A/D converter mode register 0 (ADM0) write, the analog input channel specification register (ADS), or A/D port configuration register (ADPC) write upon the end of conversion

The ADM0, ADS, or ADPC registers write has priority. The ADCR or ADCRH register write is not performed, nor is the conversion end interrupt signal (INTAD) generated.

(4) Noise countermeasures

To maintain the 10-bit resolution, attention must be paid to noise input to the AV_{REFP} , V_{DD} , ANI0 to ANI5 pins.

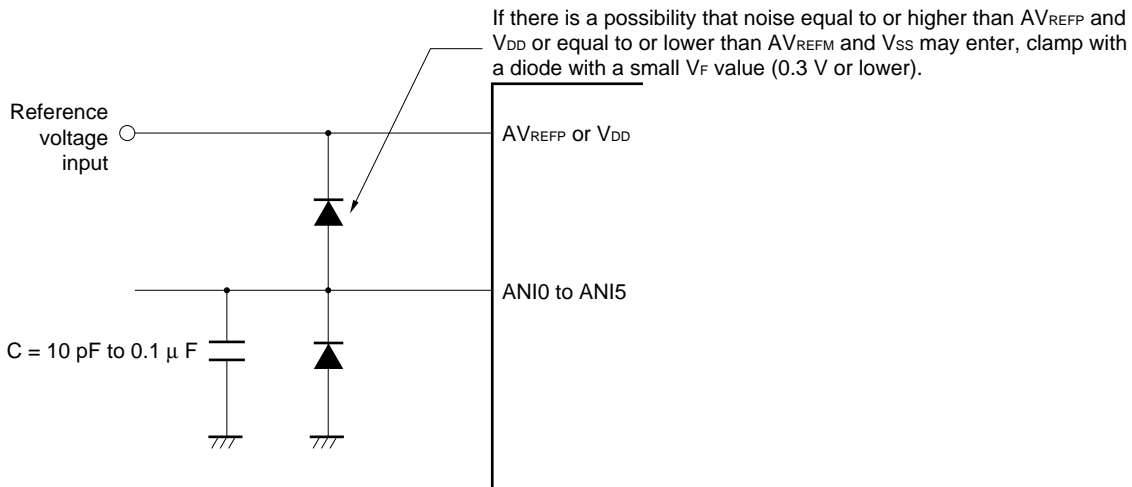
<1> Connect a capacitor with a low equivalent resistance and a good frequency response (capacitance of about 0.01 μ F) via the shortest possible run of relatively thick wiring to the power supply.

<2> The higher the output impedance of the analog input source, the greater the influence. To reduce the noise, connecting an external capacitor as shown in Figure 15-45 is recommended.

<3> Do not switch these pins with other pins during conversion.

<4> The accuracy is improved if the HALT mode is set immediately after the start of conversion.

Figure 15-45. Analog Input Pin Connection



(5) Analog input (ANIn) pins

- <1> The analog input pins (ANI0 to ANI5) are also used as input port pins (P20 to P25).
When A/D conversion is performed with any of the ANI0 to ANI5 pins selected, do not change to output value P20 to P25 while conversion is in progress; otherwise the conversion resolution may be degraded.
- <2> If a pin adjacent to a pin that is being A/D converted is used as a digital I/O port pin, the A/D conversion result might differ from the expected value due to a coupling noise. Be sure to avoid the input or output of digital signals and signals with similarly sharp transitions during A/D conversion.

(6) Input impedance of analog input (ANIn) pins

This A/D converter charges a sampling capacitor for sampling during sampling time.

Therefore, only a leakage current flows when sampling is not in progress, and a current that charges the capacitor flows during sampling. Consequently, the input impedance fluctuates depending on whether sampling is in progress, and on the other states.

To make sure that sampling is effective, however, we recommend using the converter with analog input sources that have output impedances no greater than 1 k Ω . If a source has a higher output impedance, lengthen the sampling time or connect a larger capacitor (with a value of about 0.1 μ F) to the pin from among ANI0 to ANI5 which the source is connected (see **Figure 15-45**). The sampling capacitor may be being charged while the setting of the ADCS bit is 0 and immediately after sampling is restarted and so is not defined at these times. Accordingly, the state of conversion is undefined after charging starts in the next round of conversion after the value of the ADCS bit has been 1 or when conversion is repeated. Thus, to secure full charging regardless of the size of fluctuations in the analog signal, ensure that the output impedances of the sources of analog inputs are low or secure sufficient time for the completion of conversion.

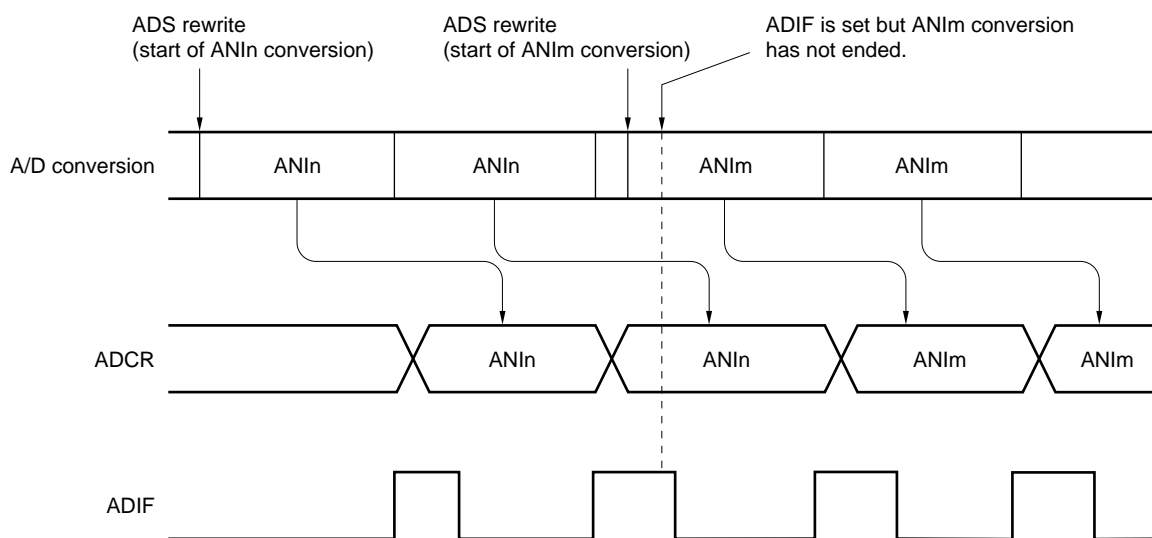
(7) Interrupt request flag (ADIF)

The interrupt request flag (ADIF) is not cleared even if the analog input channel specification register (ADS) is changed.

Therefore, if an analog input pin is changed during A/D conversion, the A/D conversion result and ADIF flag for the pre-change analog input may be set just before the ADS register rewrite. Caution is therefore required since, at this time, when ADIF flag is read immediately after the ADS register rewrite, ADIF flag is set despite the fact A/D conversion for the post-change analog input has not ended.

When A/D conversion is stopped and then resumed, clear ADIF flag before the A/D conversion operation is resumed.

Figure 15-46. Timing of A/D Conversion End Interrupt Request Generation



(8) Conversion results just after A/D conversion start

While in the software trigger mode or hardware trigger no-wait mode, the first A/D conversion value immediately after A/D conversion starts may not fall within the rating range if the ADCS bit is set to 1 within 1 μ s after the ADCE bit was set to 1. Take measures such as polling the A/D conversion end interrupt request (INTAD) and removing the first conversion result.

(9) A/D conversion result register (ADCR, ADCRH) read operation

When a write operation is performed to A/D converter mode register 0 (ADM0), analog input channel specification register (ADS), and A/D port configuration register (ADPC), the contents of the ADCR and ADCRH registers may become undefined. Read the conversion result following conversion completion before writing to the ADM0, ADS, or ADPC register. Using a timing other than the above may cause an incorrect conversion result to be read.

(10) Internal equivalent circuit

The equivalent circuit of the analog input block is shown below.

Figure 15-47. Internal Equivalent Circuit of ANIn Pin

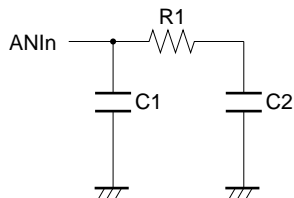


Table 15-4. Resistance and Capacitance Values of Equivalent Circuit (Reference Values)

AV_{REFP}, V_{DD}	ANIn Pins	R1 [k Ω]	C1 [pF]	C2 [pF]
$3.6\text{ V} \leq V_{DD} \leq 5.5\text{ V}$	ANI0 to ANI5	14	8	2.5
$2.7\text{ V} \leq V_{DD} \leq 3.6\text{ V}$	ANI0 to ANI5	39	8	2.5
$1.9\text{ V} \leq V_{DD} < 2.7\text{ V}$	ANI0 to ANI5	231	8	2.5

Remark The resistance and capacitance values shown in Table 15-4 are not guaranteed values.

(11) Starting the A/D converter

Start the A/D converter after the AV_{REFP} and V_{DD} voltages stabilize.

CHAPTER 16 TEMPERATURE SENSOR 2

16.1 Functions of Temperature Sensor

The RL78/I1C has an on-chip temperature sensor. Temperature can be measured by measuring the output voltage from the temperature sensor using the 10-bit A/D converter. The mode of the temperature sensor can be switched to one of the following three modes by setting the temperature control register.

- High-temperature range mode: Mode 1, 0 °C to 90 °C (Output Image Diagram Mode 1)
 - Normal-temperature range mode: Mode 2, -20 °C to 70 °C (Output Image Diagram Mode 2)
 - Low-temperature range mode: Mode 3, -40 °C to 50 °C (Output Image Diagram Mode 3)
- Temperature sensor may be used in HS (high-speed main) mode.

Figure 16-1 shows a block diagram of temperature sensor.

Figure 16-1. Block Diagram

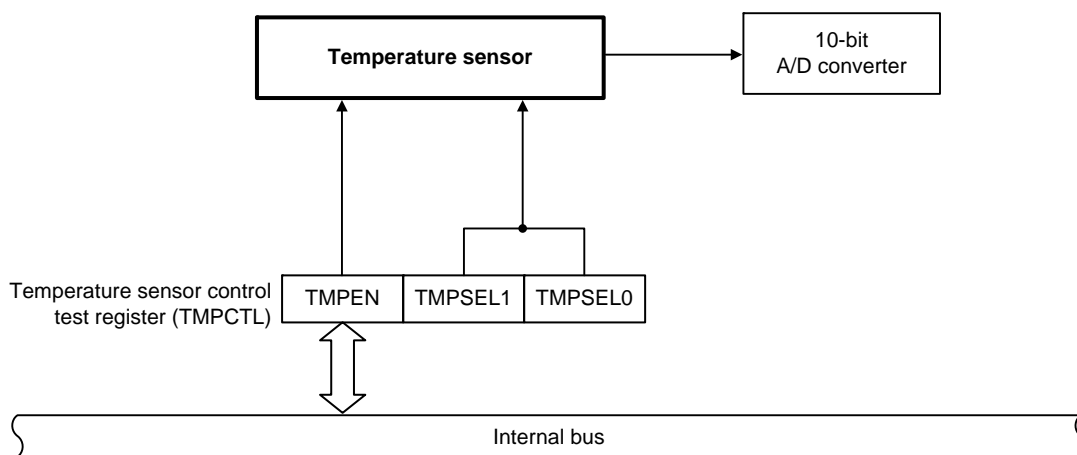
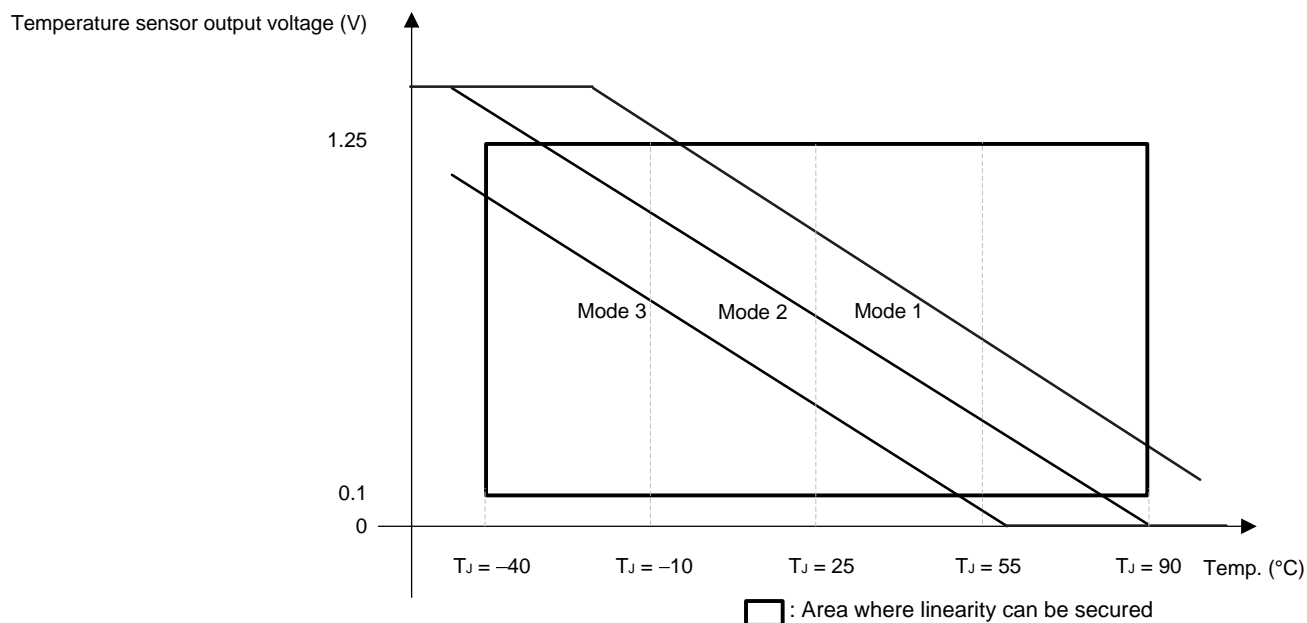


Figure 16-2. Output Image Diagram



16.2 Registers

Table 16-1 shows the register used for the temperature sensor.

Table 16-1. Register

Item	Configuration
Control registers	Temperature sensor control test register (TMPCTL) Peripheral enable register 0 (PER0) Peripheral reset control register 0 (PRR0)

16.2.1 Peripheral enable register 0 (PER0)

The PER0 register is used to enable or disable supplying the clock to the peripheral hardware. Clock supply to a hardware macro that is not used is stopped in order to reduce the power consumption and noise.

When the temperature sensor 2 is used, be sure to set bit 5 (ADCEN) of this register to 1.

The PER0 register can be set by a 1-bit or an 8-bit memory manipulation instruction.

Reset signal generation clears this register to 00H.

Figure 16-3. Format of Peripheral enable register 0 (PER0)

Address: F00F0H After reset: 00H R/W

Symbol	7	<6>	<5>	<4>	<3>	<2>	1	<0>
PER0	0	IRDAEN	ADCEN	IICA0EN	SAU1EN	SAU0EN	0	TAU0EN

ADCEN	Control of input clock supply to A/D converter and temperature sensor 2
0	Stops input clock supply. • SFR used by the A/D converter and temperature sensor 2 cannot be written. The read value is 00H. However, the SFR is not initialized. ^{Note}
1	Enables input clock supply. • SFR used by the A/D converter and temperature sensor 2 can be read and written.

Note To initialize the A/D converter and the SFR used by the A/D converter and temperature sensor 2, use bit 5 (ADCRES) of PRR0.

16.2.2 Temperature sensor control test register (TMPCTL)

The TMPCTL register is used to stop or start operation of the temperature sensor, and select the mode of the temperature sensor.

The TMPCTL register can be set by a 1-bit or 8-bit memory manipulation instruction.
Reset generation clears this register to 00H.

Figure 16-4. Format of Temperature sensor control test register (TMPCTL)

Address: F03B0H After reset: 00H R/W

Symbol	<7>	6	5	4	3	2	1	0
TMPCTL	TMPEN ^{Note 1}	0	0	0	0	0	TMPSEL1 ^{Note 2}	TMPSEL0 ^{Note 2}

TMPEN	Temperature sensor operation control
0	Temperature sensor stops operation
1	Temperature sensor starts operation

<R>
<R>

TMPSEL1	TMPSEL0	Temperature sensor operation selection
0	0	Normal-temperature range (Mode 2)
0	1	High-temperature range (Mode 1)
1	0	Low-temperature range (Mode 3)
Other than above		Setting prohibited

- Notes**
1. After setting the TMPEN bit to 1, a 50 μ s operation stabilization wait time is necessary.
 2. After changing bits TMPSEL1-TMPSEL0, a 15 μ s mode switch stabilization wait time is necessary.

- Cautions**
1. Be sure to clear bits 6 to 2 to "0".
 2. When using a temperature sensor, use a 10-bit A/D converter at internal reference voltage. If you select V_{DD} as reference voltage, operation will not be normal.

16.2.3 Peripheral reset control register 0 (PRR0)

The PRR0 register is used to control resetting of the on-chip peripheral modules.
Each bit in this register controls resetting and release of the reset state of the corresponding on-chip peripheral module.
To reset the temperature sensor, be sure to set bit 5 (ADCRES) to 1.
The PRR0 register can be set by a 1-bit or an 8-bit memory manipulation instruction.
Reset signal generation clears this register to 00H.

Figure 16-5. Format of Peripheral reset control register 0 (PRR0)

Address: F00F1H After reset: 00H R/W

Symbol	7	<6>	<5>	<4>	<3>	<2>	1	<0>
PRR0	0	IRDARES	ADCRES	IICA0RES	SAU1RES	SAU0RES	0	TAU0RES

<R>

ADCRES	Control resetting of the A/D converter and temperature sensor 2
0	Releases the A/D converter and temperature sensor 2 from the reset state.
1	The A/D converter and temperature sensor 2 are in the reset state.

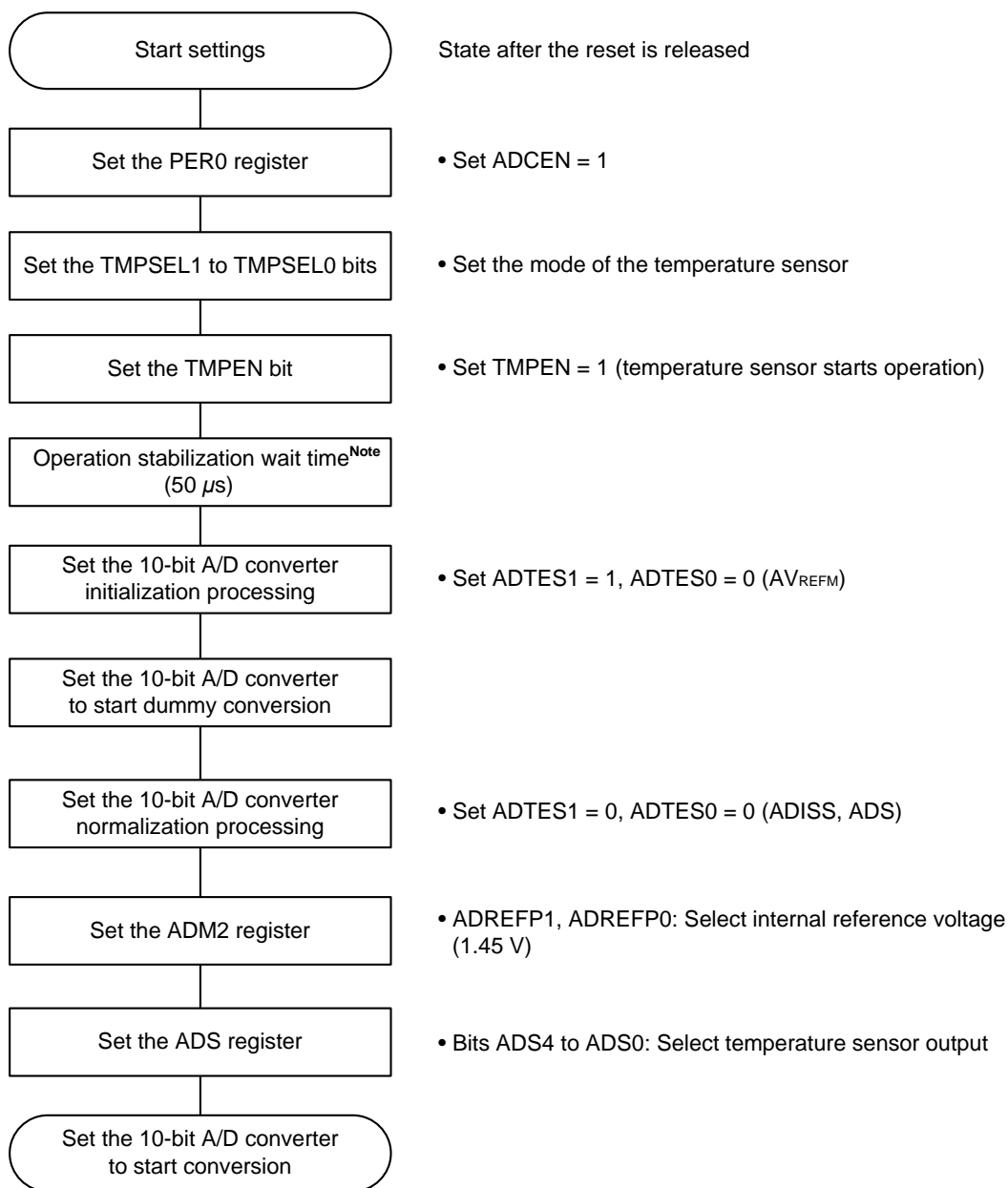
16.3 Setting Procedures

The procedures for setting the temperature sensor are shown below.

16.3.1 Starting operation of the temperature sensor

Figure 16-6 shows the setting flowchart when starting operation of temperature sensor.

Figure 16-6. Setting Flowchart When Starting Operation of Temperature Sensor



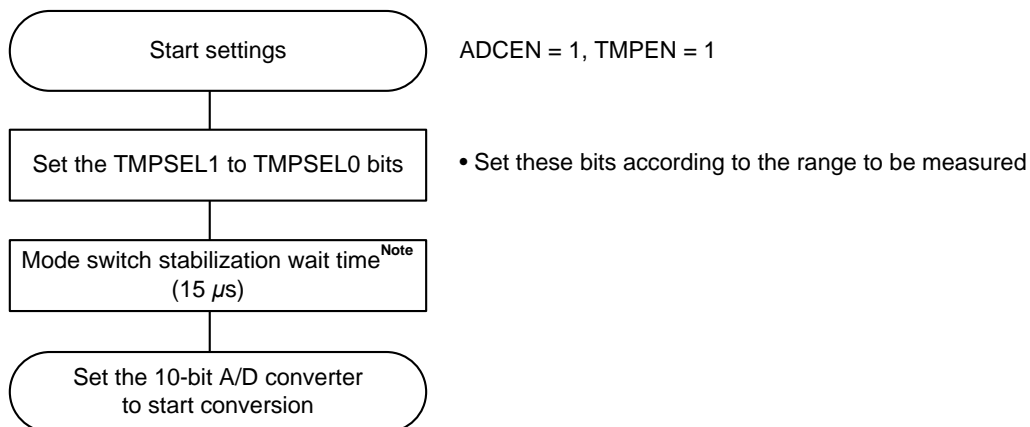
Note Operation stabilization wait time is required until the A/D converter starts conversion.

Caution Select internal reference voltage for 10-bit A/D converter.

16.3.2 Switching modes

Figure 16-7 shows the setting flowchart when switching mode of temperature sensor.

Figure 16-7. Setting Flowchart When Switching Mode of Temperature Sensor



Note Mode switch stabilization wait time is required until the A/D converter starts conversion.

Caution Select internal reference voltage for 10-bit A/D converter.

CHAPTER 17 24-BIT $\Delta\Sigma$ A/D CONVERTER

The 24-bit $\Delta\Sigma$ A/D converter has a 24-bit resolution when converting an analog input signal to digital values.

17.1 Functions of 24-bit $\Delta\Sigma$ A/D Converter

The 24-bit $\Delta\Sigma$ A/D converter has the following functions:

- S/N+D ratio: 80 dB min. (when pre-amplifier gain of $\times 1$ is selected)
- 24-bit resolution (conversion result register: 24 bits)
- 3 channels (current channel: 2 channels voltage channel: 1 channel) (80-pin products)
- 4 channels (current channel: 2 channels voltage channel: 2 channels) (64-pin products, 100-pin products)
- Analog input: 8 (positive, negative input/channel)
- $\Delta\Sigma$ conversion mode
- Pre-amplifier gain selectable: $\times 1$, $\times 2$, $\times 4$, $\times 8$, $\times 16$, or $\times 32^{\text{Note}}$ (channels 0, 1, 2, and 3)
- Operating voltage: V_{DD} or $V_{BAT} = 2.4$ to 5.5 V, $AV_{SS} = 0$ V
- Analog input voltage: ± 0.500 V (when pre-amplifier gain of $\times 1$ is selected)
 ± 0.250 V (when pre-amplifier gain of $\times 2$ is selected)
 ± 0.125 V (when pre-amplifier gain of $\times 4$ is selected)
 ± 62.5 mV (when pre-amplifier gain of $\times 8$ is selected)
 ± 31.25 mV (when pre-amplifier gain of $\times 16$ is selected)
 ± 15.625 mV (when pre-amplifier gain of $\times 32^{\text{Note}}$ is selected)
- Reference voltage generation (0.8 V (TYP.) can be output)
- Sampling frequency: 3906.25 Hz (4 kHz sampling mode)/1953.125 Hz (2 kHz sampling mode)
- HPF cutoff frequency: 0.607 Hz, 1.214 Hz, 2.429 Hz, or 4.857 Hz can be selected
- Operating clock: High-speed system clock (f_{MX}) (only 12 MHz crystal resonator can be used)
 High-speed on-chip oscillator (f_{IH})

Note The gain is multiplied by 2 by the digital filter.

- Cautions**
1. When using the high-speed system clock (f_{MX}) by setting $DSADCK$ in the $PCKC$ register to 1, supply 12 MHz.
 2. The 24-bit $\Delta\Sigma$ A/D converter cannot be used in the LP (low-power main) or LV (low-voltage main) mode.

<R>

Table 17-1 lists the configuration of 24-bit $\Delta\Sigma$ A/D converter. Figures 17-1 and 17-2 show the block diagram of 24-bit $\Delta\Sigma$ A/D converter, respectively.

Table 17-1. Configuration of 24-bit $\Delta\Sigma$ A/D Converter

Item	Configuration
Analog input	3 channels and 6 inputs (80-pin products) 4 channels and 8 inputs (64-pin products, 100-pin products)
Internal units	Pre-amplifier block $\Delta\Sigma$ A/D converter Reference voltage generation Phase adjustment circuit (PHC0, PHC1) Digital filter (DF) High-pass filter (HPF) Zero-cross detection

Figure 17-1. Block Diagram of 24-bit $\Delta\Sigma$ A/D Converter (64-pin Products, 100-pin Products)

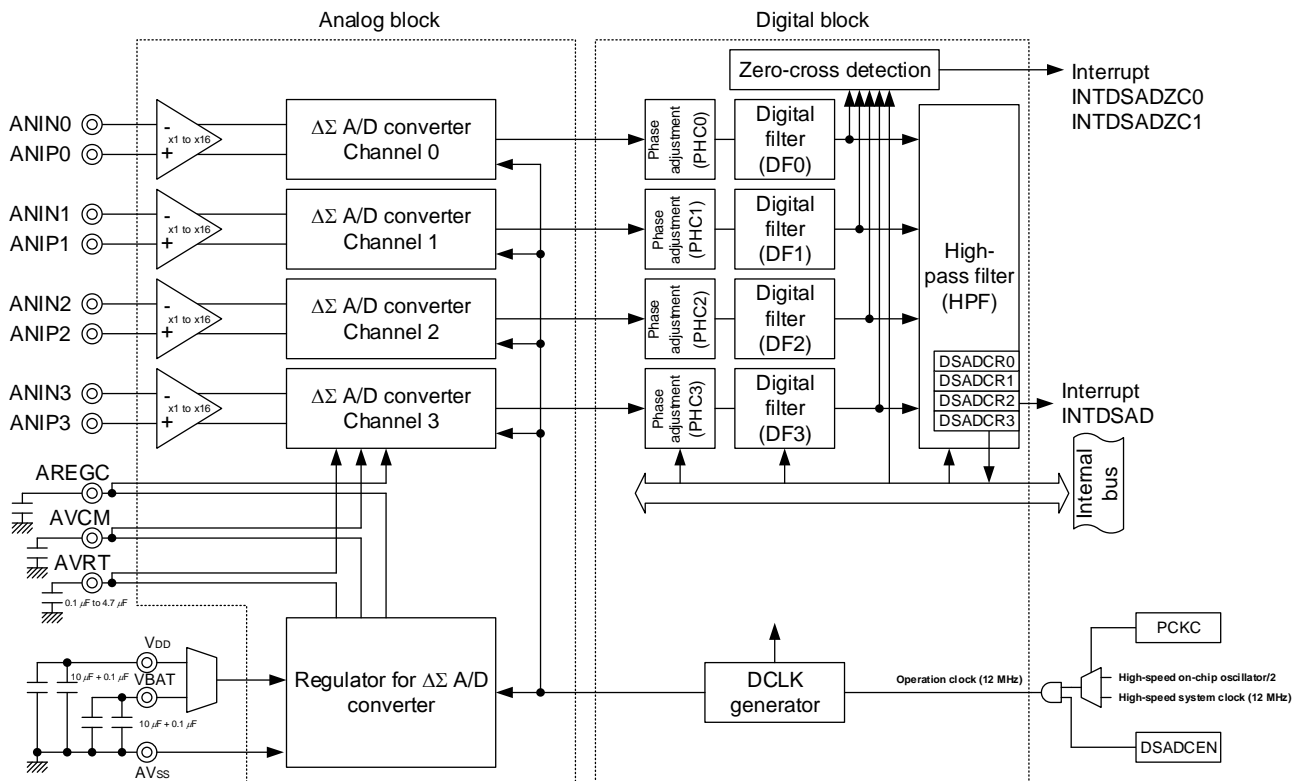
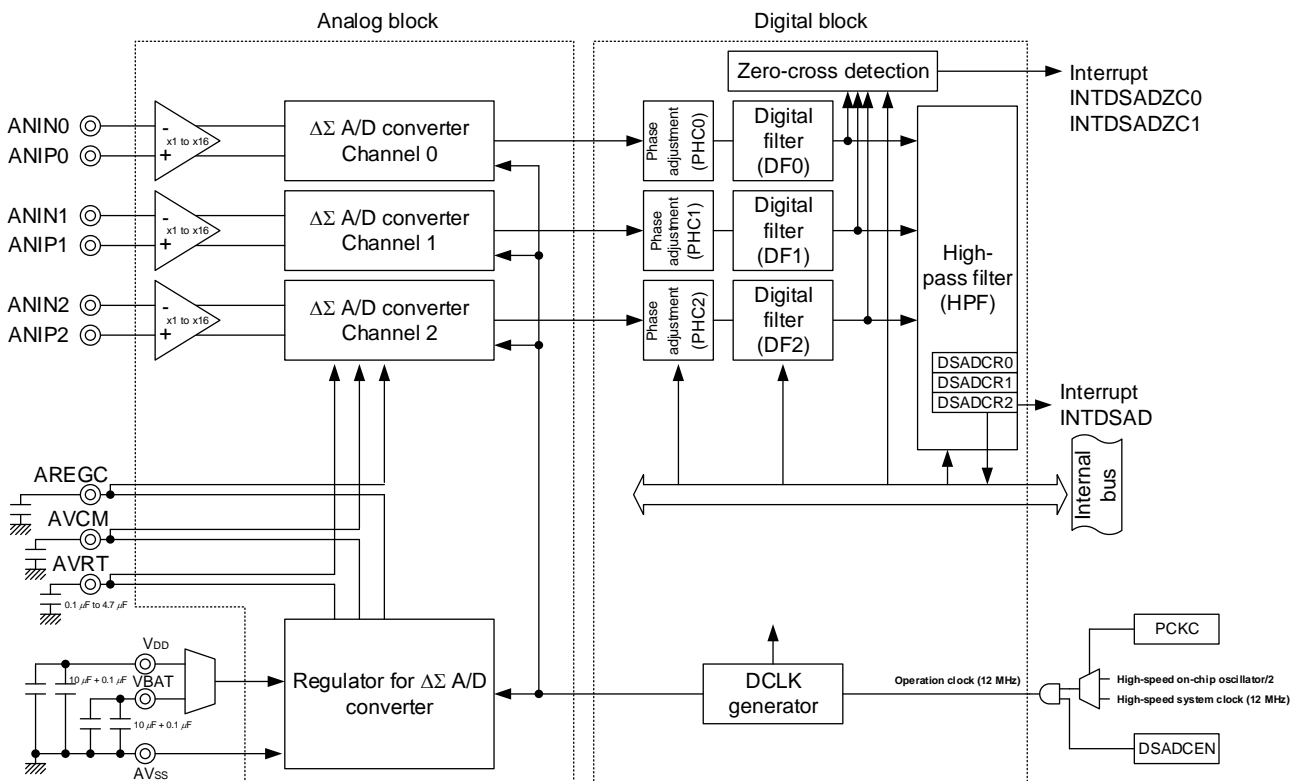


Figure 17-2. Block Diagram of 24-bit $\Delta\Sigma$ A/D Converter (80-pin Products)



17.1.1 I/O pins

Table 17-2 lists the I/O pins for the 24-bit $\Delta\Sigma$ A/D converter.

Table 17-2. Pin Configuration

Name	Symbol	I/O	Function
Analog input positive pin 0 to analog input positive pin 3	ANIPn	Input	Analog input pin for $\Delta\Sigma$ A/D converter (positive input) ^{Notes 1, 3}
Analog input negative pin 0 to analog input negative pin 3	ANINn	Input	Analog input pin for $\Delta\Sigma$ A/D converter (negative input) ^{Notes 1, 3}
$\Delta\Sigma$ A/D converter power supply voltage pin	AREGC	–	$\Delta\Sigma$ A/D converter power supply voltage
Common voltage pin	AVCM	–	Common voltage
Reference voltage pin	AVRT	–	Reference voltage
Analog power supply pin 1	V _{DD}	–	Analog power supply ^{Note 2}
Analog power supply pin 2	V _{BAT}	–	Analog power supply ^{Note 2}
Analog GND	AV _{SS}	–	Analog GND pin

- Notes 1.** One channel inputs two signals. The ANINn pin is the negative input, while the ANIPn pin is the positive input.
- 2.** Connect capacitors of 10 μF + 0.1 μF as stabilization capacitance between the V_{DD}/V_{BAT} and AV_{SS} pins.
- 3.** Consider the sensor delay when selecting the pin for a single phase two-wire meter.

Remark n = 0 to 3 for 64- and 100-pin products, n = 0 to 2 for 80-pin products

17.1.2 Pre-amplifier

This unit amplifies an analog input signal to be input to the ANINn and ANIPn pins.

The gain can be set to $\times 1$, $\times 2$, $\times 4$, $\times 8$, $\times 16$, or $\times 32$ ^{Note} using the register settings.

Note The gain is multiplied by 2 by the digital filter.

Remark n = 0 to 3 for 64- and 100-pin products, n = 0 to 2 for 80-pin products

17.1.3 $\Delta\Sigma$ A/D converter

Four $\Delta\Sigma$ A/D converter circuits are provided so that a total of four channels of analog inputs can be converted into 2-bit digital signals. These four $\Delta\Sigma$ A/D converter circuits operate synchronously. Each 2-bit digital value is passed through the phase adjustment circuit, the digital filter, and the high-pass filter, and then stored into the conversion result registers (DSADCR0 to DSADCR3) as the conversion result of each channel. Each time conversion of all four channels is completed, the interrupt request signal is generated to inform the CPU that the conversion result can be read. The sampling frequency (fs) can be selected as 3906.25 Hz or 1953.125 Hz. The maximum pending time and over-sampling frequency vary as follows depending on the sampling frequency. Complete reading of the $\Delta\Sigma$ A/D conversion result register before the maximum pending time.

Sampling Frequency (fs)	Maximum Pending Time	Over-sampling Frequency
3906.25 Hz (4 kHz sampling mode)	192 μs	1.5 MHz
1953.125 Hz (2 kHz sampling mode)	384 μs	750 kHz

17.1.4 Reference voltage generator

An internal reference voltage source (band-gap reference circuit) is provided and a reference voltage is output from the reference voltage output pin AVRT. Connect a capacitor of 0.47 μF as external capacitance.

17.1.5 Phase adjustment circuits (PHCn)

This circuit adjusts the phase of input analog signals. The phase between analog signals is adjusted in steps (one step = 384 fs) up to 1151 steps.

Phase shifts between input analog signals occur due to external components (such as current sensors). Use the DSADPHCn register to correct such phase shifts in advance, because these shifts can decrease the precision of power calculations.

A step for correcting phase shifts can be adjusted in 0.0144° units if the line frequency is 60 Hz, or in 0.0120° units if the line frequency is 50 Hz.

Four phase adjustment circuits (PHC0 to PHC3) are provided in the RL78/I1C and each phase can be adjusted for input signals.

Remark n = 0 to 3 for 64- and 100-pin products, n = 0 to 2 for 80-pin products

17.1.6 Digital filter (DF)

This unit eliminates high harmonic signal included in the $\Delta\Sigma$ A/D converter and thins out the data rate to 1/384.

17.1.7 Zero-cross detection

Interrupt is generated when any timing for reversing signs is detected in the operation result of the digital filter.

17.1.8 High-pass filter (HPF)

This unit eliminates the DC component included in the input signal and the DC offset generated by the analog circuit. Whether the high-pass filter is inserted or not can be selected for each channel.

17.2 Registers

Table 17-3 lists the registers used for the 24-bit $\Delta\Sigma$ A/D converter.

Table 17-3. Registers

Item	Configuration	
Control registers	$\Delta\Sigma$ A/D converter mode register (DSADMR)	
	$\Delta\Sigma$ A/D converter gain control register 0 (DSADGCR0)	
	$\Delta\Sigma$ A/D converter gain control register 1 (DSADGCR1)	
	$\Delta\Sigma$ A/D converter interrupt control register (DSADICR)	
	$\Delta\Sigma$ A/D converter interrupt clear register (DSADICLR)	
	$\Delta\Sigma$ A/D converter interrupt status register (DSADISR)	
	$\Delta\Sigma$ A/D converter HPF control register (DSADHPFCR)	
	$\Delta\Sigma$ A/D converter phase control register 0 (DSADPHCR0)	
	$\Delta\Sigma$ A/D converter phase control register 1 (DSADPHCR1)	
	$\Delta\Sigma$ A/D converter phase control register 2 (DSADPHCR2)	
	$\Delta\Sigma$ A/D converter phase control register 3 (DSADPHCR3)	
	Registers	$\Delta\Sigma$ A/D converter conversion result register 0L (DSADCR0L)
$\Delta\Sigma$ A/D converter conversion result register 0M (DSADCR0M)		
$\Delta\Sigma$ A/D converter conversion result register 0H (DSADCR0H)		
$\Delta\Sigma$ A/D converter conversion result register 1L (DSADCR1L)		
$\Delta\Sigma$ A/D converter conversion result register 1M (DSADCR1M)		
$\Delta\Sigma$ A/D converter conversion result register 1H (DSADCR1H)		
$\Delta\Sigma$ A/D converter conversion result register 2L (DSADCR2L)		
$\Delta\Sigma$ A/D converter conversion result register 2M (DSADCR2M)		
$\Delta\Sigma$ A/D converter conversion result register 2H (DSADCR2H)		
$\Delta\Sigma$ A/D converter conversion result register 3L (DSADCR3L)		
$\Delta\Sigma$ A/D converter conversion result register 3M (DSADCR3M)		
$\Delta\Sigma$ A/D converter conversion result register 3H (DSADCR3H)		
$\Delta\Sigma$ A/D converter conversion result register 0 (DSADCR0)		
$\Delta\Sigma$ A/D converter conversion result register 1 (DSADCR1)		
$\Delta\Sigma$ A/D converter conversion result register 2 (DSADCR2)		
$\Delta\Sigma$ A/D converter conversion result register 3 (DSADCR3)		
Control registers		Peripheral enable register 1 (PER1)
		Peripheral clock control register (PCKC)
	Peripheral reset control register 1 (PRR1)	

17.2.1 $\Delta\Sigma$ A/D converter mode register (DSADMR)

The DSADMR register is used to set the operating mode of the $\Delta\Sigma$ A/D converter. This register is used to select the sampling period and the resolution of the $\Delta\Sigma$ A/D converter, and control powering on each channel and enabling its operation.

The DSADMR register can be set by a 16-bit memory manipulation instruction.

Reset signal generation clears this register to 0000H.

Figure 17-3. Format of $\Delta\Sigma$ A/D Converter Mode Register (DSADMR)

Address: F03C0H After reset: 0000H R/W

Symbol	15	14	13	12	11	10	9	8	7	6	5	4	3	2	1	0
DSADMR	DSAD FR	DSAD TYP	0	0	DSAD PON3	DSAD PON2	DSAD PON1	DSAD PON0	0	0	0	0	DSAD CE3	DSAD CE2	DSAD CE1	DSAD CE0

DSADFR	Sampling frequency selection
0	3906.25 Hz
1	1953.125 Hz
This bit is used to select the sampling frequency.	

DSADTYP	Resolution selection when reading $\Delta\Sigma$ A/D converter conversion result register
0	24-bit resolution
1	16-bit resolution
When DSADTYP = 0: The lower 16 bits in the $\Delta\Sigma$ A/D converter conversion result register can be read by reading the $\Delta\Sigma$ A/D converter conversion result register (DSADCRn). Read DSADCRnH as the higher 8 bits. When DSADTYP = 1: The higher 16 bits in the $\Delta\Sigma$ A/D converter conversion result register can be read by reading the $\Delta\Sigma$ A/D converter conversion result register (DSADCRn).	

DSADPONn	$\Delta\Sigma$ A/D converter power-on control (analog block) of channel n
0	Power down
1	Power on

DSADCEn	$\Delta\Sigma$ A/D converter operation enable (analog and digital blocks) of channel n
0	Electric charge reset
1	Normal operation
This bit is used to enable conversion operation of the $\Delta\Sigma$ A/D converter. The charge of the analog block and the conversion result of the digital block are reset. To reset the charge of the $\Delta\Sigma$ A/D converter normally, first set the DSADCEn bit from 1 to 0, and then wait for at least 1.4 μ s before performing conversion again.	

(**Caution** and **Remark** are listed on the next page.)

- Cautions**
1. When a clock faster than 12 MHz is selected as the CPU clock (f_{CLK}), do not write to the DSADMR register successively. When writing to this register successively, allow at least one cycle of f_{CLK} between writes. Three cycles is required until the $\Delta\Sigma$ A/D converter is powered down after the DSADPONn bit is set to 0. When setting the DSADPONn bit to 1 again, be sure to allow at least three cycles of f_{CLK} before powering on the $\Delta\Sigma$ A/D converter.
 2. Be sure to clear bits 13, 12, and 7 to 4 to “0”.

Remark n = 0 to 3

17.2.2 ΔΣ A/D converter gain control register 0 (DSADGCR0)

The DSADGCR0 register is used to select the gain of the programmable gain amplifier of channels 0 and 1.

DSADGCR0 can be set by an 8-bit memory manipulation instruction.

Reset signal generation clears this register to 00H.

Figure 17-4. Format of ΔΣ A/D Converter Gain Control Register 0 (DSADGCR0)

Address: F03C2H After reset: 00H R/W

Symbol	7	6	5	4	3	2	1	0
DSADGCR0	0	DSADGAIN12	DSADGAIN11	DSADGAIN10	0	DSADGAIN02	DSADGAIN01	DSADGAIN00

DSADGAIN12	DSADGAIN11	DSADGAIN10	Selection of programmable amplifier gain of channel 1
Bit 6	Bit 5	Bit 4	
0	0	0	PGA gain: ×1
0	0	1	PGA gain: ×2
0	1	0	PGA gain: ×4
0	1	1	PGA gain: ×8
1	0	0	PGA gain: ×16
1	0	1	PGA gain: ×32 ^{Note}
Other than above			Setting prohibited
These bits are used to control the PGA gain. The gain can be set in the range of ×1 to ×32.			

DSADGAIN02	DSADGAIN01	DSADGAIN00	Selection of programmable amplifier gain of channel 0
Bit 2	Bit 1	Bit 0	
0	0	0	PGA gain: ×1
0	0	1	PGA gain: ×2
0	1	0	PGA gain: ×4
0	1	1	PGA gain: ×8
1	0	0	PGA gain: ×16
1	0	1	PGA gain: ×32 ^{Note}
Other than above			Setting prohibited
These bits are used to control the PGA gain. The gain can be set in the range of ×1 to ×32.			

Note The gain is multiplied by 2 by the digital filter.

Caution Be sure to clear bits 7 and 3 to “0”.

17.2.3 $\Delta\Sigma$ A/D converter gain control register 1 (DSADGCR1)

The DSADGCR1 register is used to select the gain of the programmable gain amplifier of channels 2 and 3.

DSADGCR1 can be set by an 8-bit memory manipulation instruction.

Reset signal generation clears this register to 00H.

Figure 17-5. Format of $\Delta\Sigma$ A/D Converter Gain Control Register 1 (DSADGCR1)

Address: F03C3H After reset: 00H R/W

Symbol	7	6	5	4	3	2	1	0
DSADGCR1	0	DSADGAIN32	DSADGAIN31	DSADGAIN30	0	DSADGAIN22	DSADGAIN21	DSADGAIN20

DSADGAIN32	DSADGAIN31	DSADGAIN30	Selection of programmable amplifier gain of channel 3
Bit 6	Bit 5	Bit 4	
0	0	0	PGA gain: $\times 1$
0	0	1	PGA gain: $\times 2$
0	1	0	PGA gain: $\times 4$
0	1	1	PGA gain: $\times 8$
1	0	0	PGA gain: $\times 16$
1	0	1	PGA gain: $\times 32^{\text{Note}}$
Other than above			Setting prohibited
These bits are used to control the PGA gain. The gain can be set in the range of $\times 1$ to $\times 32$.			

DSADGAIN22	DSADGAIN21	DSADGAIN20	Selection of programmable amplifier gain of channel 2
Bit 2	Bit 1	Bit 0	
0	0	0	PGA gain: $\times 1$
0	0	1	PGA gain: $\times 2$
0	1	0	PGA gain: $\times 4$
0	1	1	PGA gain: $\times 8$
1	0	0	PGA gain: $\times 16$
1	0	1	PGA gain: $\times 32^{\text{Note}}$
Other than above			Setting prohibited
These bits are used to control the PGA gain. The gain can be set in the range of $\times 1$ to $\times 32$.			

Note The gain is multiplied by 2 by the digital filter.

Caution Be sure to clear bits 7 and 3 to "0".

17.2.4 ΔΣ A/D converter HPF control register (DSADHPFCR)

The DSADHPFCR register is used to select the cutoff frequency of the high pass filter and disable or enable the high-pass filter for each channel.

DSADHPFCR can be set by an 8-bit memory manipulation instruction.

Reset signal generation clears this register to 00H.

Figure 17-6. Format of ΔΣ A/D Converter HPF Control Register (DSADHPFCR)

Address: F03C5H After reset: 00H R/W

Symbol	7	6	5	4	3	2	1	0
DSADHPFCR	DSADCOF1	DSADCOF0	0	0	DSADTHR3	DSADTHR2	DSADTHR1	DSADTHR0

DSADCOF1	DSADCOF0	Selection of cutoff frequency of high-pass filter
Bit 7	Bit 6	
0	0	0.607 Hz
0	1	1.214 Hz
1	0	2.429 Hz
1	1	4.857 Hz

DSADTHR3	High-pass filter disable of channel 3
0	High-pass filter used
1	High-pass filter not used

DSADTHR2	High-pass filter disable of channel 2
0	High-pass filter used
1	High-pass filter not used

DSADTHR1	High-pass filter disable of channel 1
0	High-pass filter used
1	High-pass filter not used

DSADTHR0	High-pass filter disable of channel 0
0	High-pass filter used
1	High-pass filter not used

- Cautions**
1. Be sure to clear bits 5 and 4 to “0”.
 2. Writing to the DSADTHRn bit shall be completed when any of the following conditions is satisfied:
 - DSADCEn = 0 (Conversion is being stopped)
 - Within 21 μs from the zero-cross detection interrupt

Remark The high-pass filter convergence time can be changed by changing the high-pass filter cut-off frequency. The convergence time decreases as the cut-off frequency increases.
 To initialize the high-pass filter, use the DSADRES bit of the peripheral reset control register (PRR1).

17.2.5 ΔΣ A/D converter interrupt control register (DSADICR)

The DSADICR register is used to control the zero-cross detection interrupt.

DSADICR can be set by an 8-bit memory manipulation instruction.

Reset signal generation clears this register to 00H.

Figure 17-7. Format of ΔΣ A/D Converter Interrupt Control Register (DSADICR)

Address: F03C8H After reset: 00H R/W

Symbol	7	6	5	4	3	2	1	0
DSADICR	DSADZC EGP1	DSADZC EGN1	DSADZC MD1	DSADZC CTL1	DSADZC EGP0	DSADZC EGN0	DSADZC MD0	DSADZC CTL0

DSADZC EGPn	DSADZC EGNn	Selection of zero-cross detection edge of DF output
0	0	Zero-cross detection disabled
0	1	Falling edge of DSADZCn
1	0	Rising edge of DSADZCn
1	1	Both rising and falling edges of DSADZCn

DSADZC MDn	Zero-cross detection mode selection
0	Pulse output mode
1	Level output mode

DSADZC CTL1	Zero-cross detection channel selection bit 1
0	Channel 3
1	Channel 0

DSADZC CTL0	Zero-cross detection channel selection bit 0
0	Channel 2
1	Channel 1

Caution Since 3 cycles are required for the synchronization at the sampling frequency (3906.25 Hz/1953.125 Hz) for this register, the operation after 4 cycles at sampling frequency is reflected when the setting value is rewritten. After reflecting, the next write instruction can be accepted.

Remark n = 0, 1

DSADZCEGNn bit, DSADZCEGPn bit (n = 0, 1)

These bits are used to set the valid edges that generate a zero-cross detection interrupt to the DF output. The DF output zero-cross detection conditions and relationships between waveforms of the DF output and the DSADZCn bit are shown in the Figures 17-8 to 17-11.

Table 17-4. Zero-cross Detection Conditions for the DF Output

DSADZCEGPn	DSADZCEGNn	Detection Edge Selection
0	0	Zero-cross detection disabled
0	1	Falling edge of DSADZCn
1	0	Rising edge of DSADZCn
1	1	Both rising and falling edges of DSADZCn

Figure 17-8. INTDSADZCn Interrupt Generation Timing
 (Pulse output: DSADZCMDn = 0, DSADZCEGNn = 0, DSADZCEGPn = 0)

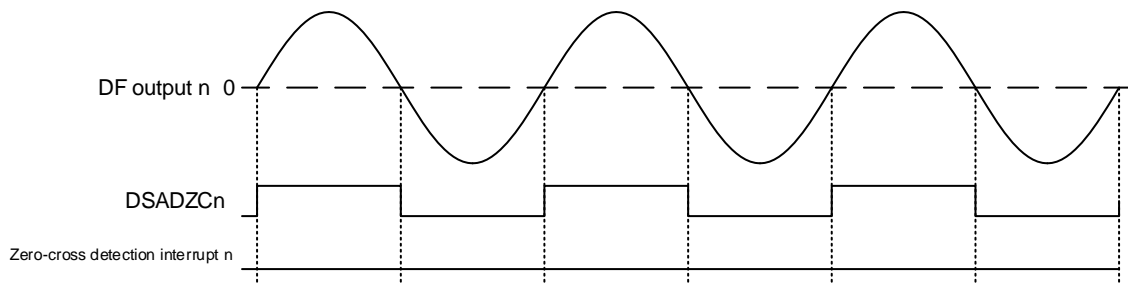


Figure 17-9. INTDSADZCn Interrupt Generation Timing
 (Pulse output: DSADZCMDn = 0, DSADZCEGNn = 1, DSADZCEGPn = 0)

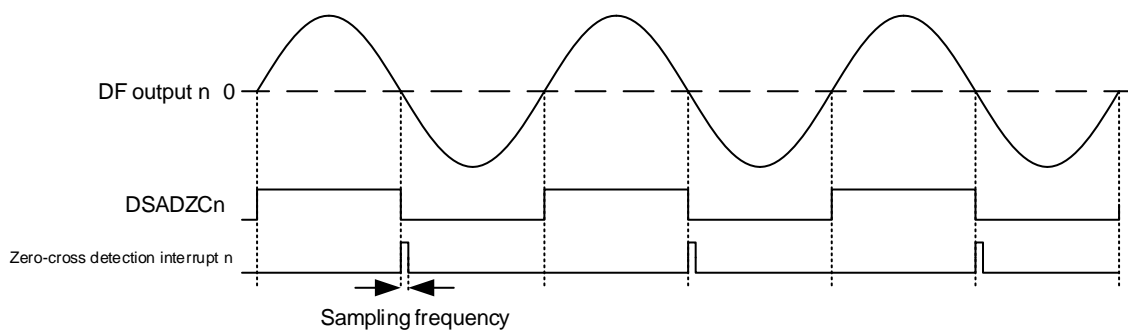


Figure 17-10. INTDSADZCn Interrupt Generation Timing
 (Pulse output: DSADZCMDn = 0, DSADZCEGNn = 0, DSADZCEGPn = 1)

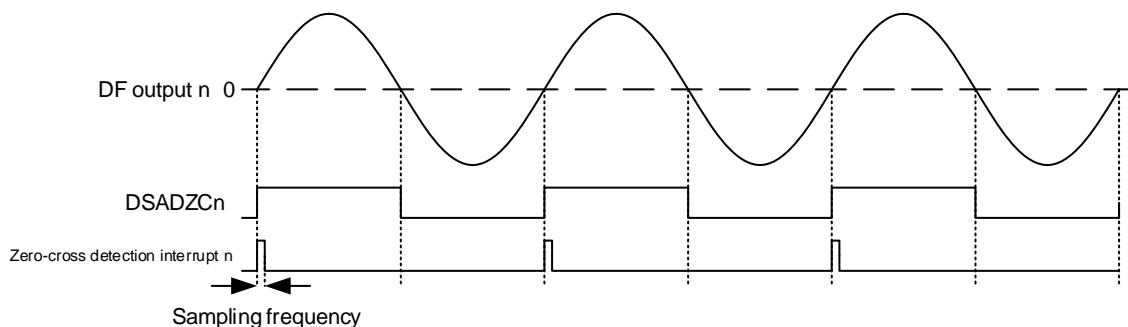
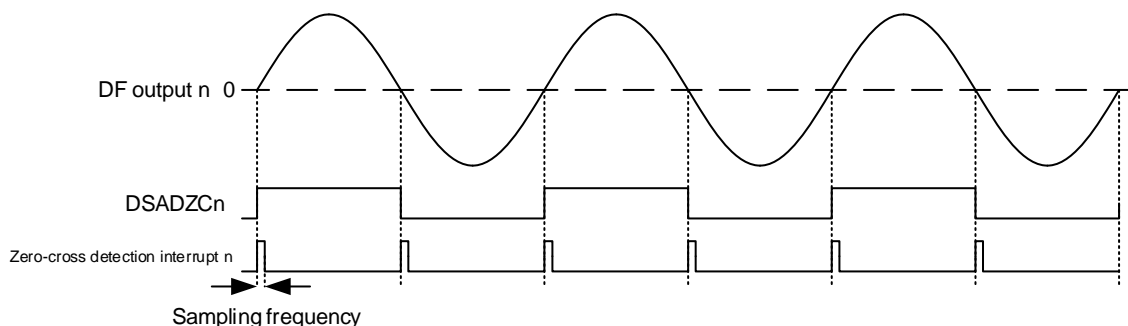


Figure 17-11. INTDSADZCn Interrupt Generation Timing
 (Pulse output: DSADZCMDn = 0, DSADZCEGNn = 1, DSADZCEGPn = 1)



DSADZCMDn bit (n = 0, 1)

This bit is used to select the output type of zero-cross detection interrupt. Interrupts may be generated for several times in the proximity of a zero cross when the DF output includes harmonic signals in the case of setting “0” (pulse output mode). Set “1” (level output mode) to prevent the interrupt from generating for several times. It is necessary to clear the assertion by software when the zero-cross detection interrupt is asserted once in the case of setting a level output mode. For more information on the operation, see **Figures 17-23 and 17-25, in 17.3.3.1 Zero-cross detection interrupt operation.**

DSADZCTLn bit (n = 0, 1)

This bit is used to select a target channel for detecting a zero-cross.

17.2.6 $\Delta\Sigma$ A/D converter interrupt clear register (DSADICLR)

The DSADICLR register is used to clear the zero-cross detection interrupt.

DSADICLR is set by an 8-bit memory manipulation instruction.

Reset signal generation clears this register to 00H.

Figure 17-12. $\Delta\Sigma$ A/D Converter Interrupt Clear Register (DSADICLR) Format

Address: F03C9H After reset: 00H W

Symbol	7	6	5	4	3	2	1	0
DSADICLR	0	0	0	DSADICL1	0	0	0	DSADICL0

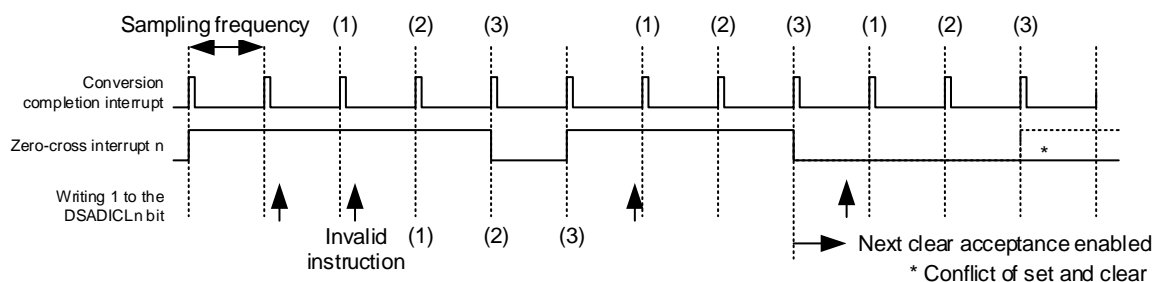
DSADICL1	Zero-cross detection interrupt 1 clear bit
0	Does not clear zero-cross detection interrupt 1 (INTDSADZC1).
1	Clears zero-cross detection interrupt 1 (INTDSADZC1).

DSADICL0	Zero-cross detection interrupt 0 clear bit
0	Does not clear zero-cross detection interrupt 0 (INTDSADZC0).
1	Clears zero-cross detection interrupt 0 (INTDSADZC0).

DSADICLn bit (n = 0, 1)

Writing 1 to this bit clears the zero-cross detection interrupt n (INTDSADZCn). Writing 0 to this bit does not operate the register. Reading value of this bit is 0 regardless of the writing value. The clear operation of the zero-cross detection interrupt by the software is prioritized when the timings of zero-cross detection interrupt and writing 1 to this bit simultaneously occur. This register is cleared after 3 cycles at the sampling frequency when 1 is written to this bit. Next clear instruction can be accepted after the clear.

Figure 17-13. INTDSADZCn Interrupt Generation Clear Timing



17.2.7 $\Delta\Sigma$ A/D converter interrupt status register (DSADISR)

The DSADISR register is used to clear the zero-cross detection interrupt.

DSADISR is set by an 8-bit memory manipulation instruction.

Reset signal generation sets this register to 22H.

Figure 17-14. $\Delta\Sigma$ A/D Converter Interrupt Status Register (DSADISR) Format

Address: F03CAH After reset: 22H R

Symbol	7	6	5	4	3	2	1	0
DSADISR	0	0	DSADZC1	DSADZC1	0	0	DSADZC0	DSADZC0

DSADZCn	DF output status bit n
0	DF output n is in the negative status
1	DF output n is in the positive status
This bit is used to indicate the status of DF output in the target channel, which is selected by the DSADZCCTLn bit.	

DSADZCIn	Zero-cross detection interrupt status bit n
0	Zero-cross detection interrupt n (INTDSADZCn) is 0.
1	Zero-cross detection interrupt n (INTDSADZCn) is 1.
<p>This bit is used to monitor the zero-cross detection interrupt (INTDSADZCn).</p> <p><Setting conditions></p> <ul style="list-style-type: none"> When detecting the zero-cross by the valid edge that is set by the DSADZCEGNn and DSADZCEGPn bits in the DSADICR register. <p><Clear conditions></p> <ul style="list-style-type: none"> Automatically clears after the elapse of one sampling time when in the pulse output mode (DSADZCMDn = 0 in the DSADICR register.) Cleared by software when in the level output mode (DSADZCMDn = 1 in the DSADICR register) 	

Caution The zero-cross detection interrupt may be generated for several times in the proximity of a zero cross due to the harmonic signals included in DF output. Therefore, clear the interrupts by writing 1 to the DSADICLn bit by using software after a certain period of time. Interrupts may possibly be generated again due to the harmonic signals when they are cleared immediately after the generation of the zero-cross detection interrupt.

Remark n = 0, 1

17.2.8 ΔΣ A/D converter phase control register n (DSADPHCRn) (n = 0, 1, 2, 3)

The DSADPHCRn register is used to select the channel for input to the phase adjustment n circuit and set the adjustment step.

DSADPHCRn can be set by a 16-bit memory manipulation instruction.
Reset signal generation clears this register to 0000H.

Figure 17-15. Format of ΔΣ A/D Converter Phase Control Register n (DSADPHCRn) (n = 0, 1, 2, 3)

Address: F03D0H (DSADPHCR0), F03D2H (DSADPHCR1), F03D4H (DSADPHCR2), F03D6H (DSADPHCR3)
After reset: 0000H R/W

Symbol	15	14	13	12	11	10	9	8	7	6	5	4	3	2	1	0
DSADPHCRn	0	0	0	0	0	DSAD PHCn 10	DSAD PHCn 9	DSAD PHCn 8	DSAD PHCn 7	DSAD PHCn 6	DSAD PHCn 5	DSAD PHCn 4	DSAD PHCn 3	DSAD PHCn 2	DSAD PHCn 1	DSAD PHCn 0

DSADPHCn10 to DSADPHCn0 ^{Note}	ΔΣ A/D converter channel n phase adjustment
000H	Through (no phase adjustment)
001H	One step
...	...
47EH	1150 steps
47FH	1151 steps
<p>These bits are used to adjust the phase of 2-bit ΔΣ A/D conversion data input from the analog block. The DSADPHCn10 to DSADPHCn0 bits are used to specify the phase adjustment (one step = 384 fs). Since the sampling frequency (3906.25 Hz) is included in the calculation of the adjustment value, the phase that can be adjusted by correcting one step is $1 \text{ [s]} / (384 \text{ [fs]} \times 3906.25 \text{ [Hz]}) = 0.6667 \text{ [}\mu\text{s]}$. Example: To adjust the phase by 100 μs for 2-bit signal input from the analog block, the register set value will be 96H since $100 / 0.6667 = 150 \text{ [steps]}$.</p>	

Note These bits cannot be set to a value of 480H or greater.

Caution Be sure to clear bits 15 to 11 to “0”.

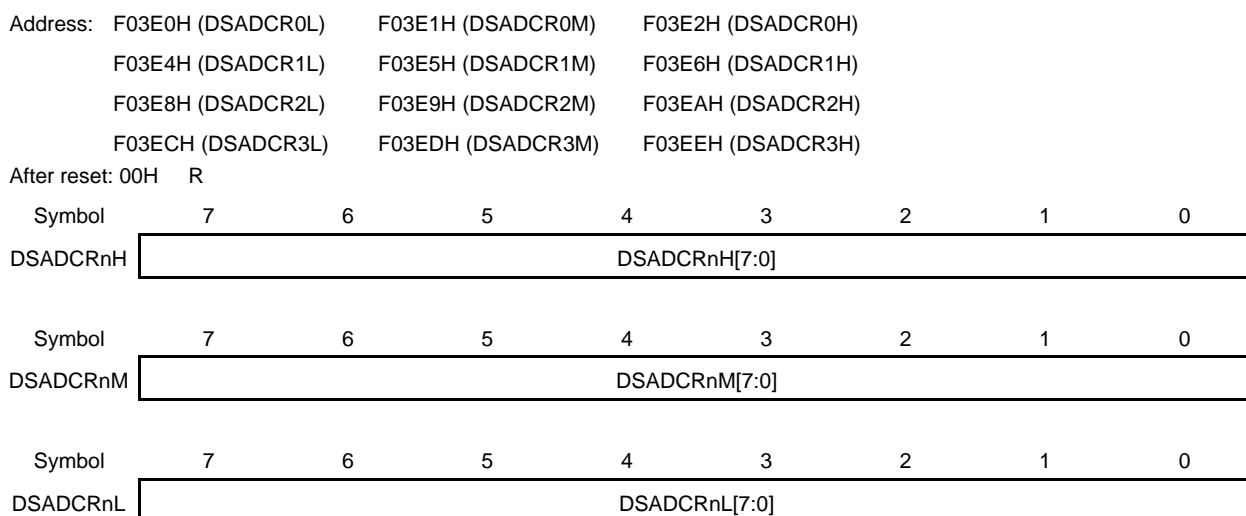
17.2.9 $\Delta\Sigma$ A/D converter conversion result register n (DSADCRnL, DSADCRnM, DSADCRnH) (n = 0, 1, 2, 3)

The DSADCRn (H/M/L) registers are 24-bit registers used to retain the conversion results of the $\Delta\Sigma$ A/D converter of each channel.

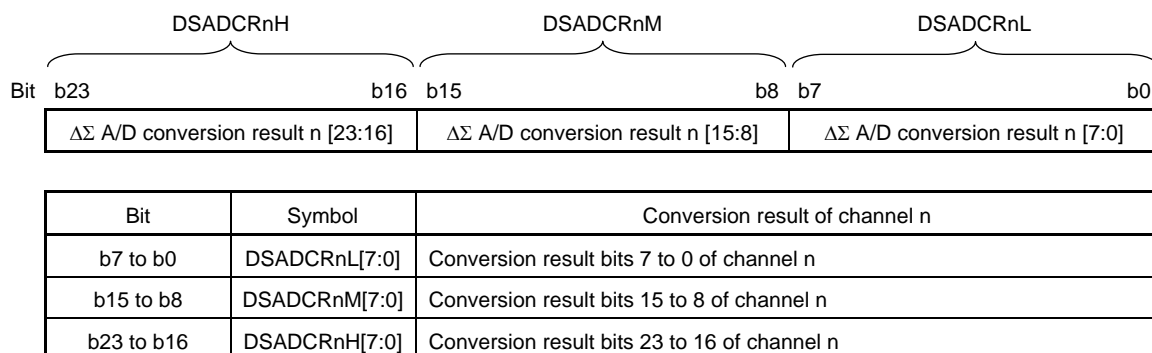
The DSADCRnL, DSADCRnM, and DSADCRnH registers can be read individually by an 8-bit manipulation instruction. Reading of the conversion result of the $\Delta\Sigma$ A/D converter differs depending on the setting of the DSADTYP bit in the $\Delta\Sigma$ A/D converter mode register (DSADMR).

Setting the DSADCEn bit in the $\Delta\Sigma$ A/D converter mode register (DSADMR) to 0 or reset signal generation clears the DSADCRnL, DSADCRnM, and DSADCRnH registers to 00H.

Figure 17-16. Format of $\Delta\Sigma$ A/D Converter Conversion Result Register n (DSADCRnL, DSADCRnM, DSADCRnH) (n = 0, 1, 2, 3)

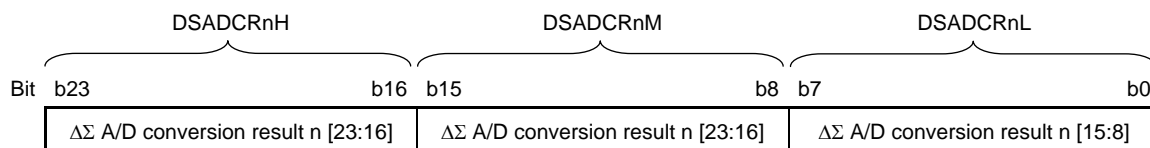


- When 24-bit resolution is set (DSADTYP in the DSADMR register = 0)



(Caution is listed on the next page.)

- When 16-bit resolution is set (DSADTYP in the DSADMR register = 1)



Bit	Symbol	Conversion result of channel n
b7 to b0	DSADCRnL[7:0]	Conversion result bits 15 to 8 of channel n
b15 to b8	DSADCRnM[7:0]	Conversion result bits 23 to 16 of channel n
b23 to b16	DSADCRnH[7:0]	Conversion result bits 23 to 16 of channel n

Caution Be sure to read the $\Delta\Sigma$ A/D converter conversion result register within its maximum pending time after the $\Delta\Sigma$ A/D conversion end interrupt is generated.

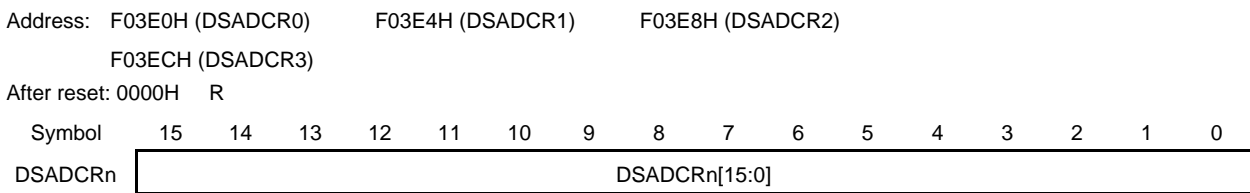
17.2.10 $\Delta\Sigma$ A/D converter conversion result register n (DSADCRn) (n = 0, 1, 2, 3)

The DSADCRn register is used to access the conversion result of each channel using a 16-bit memory manipulation instruction.

The DSADCRn register can be read by a 16-bit memory manipulation instruction. Reading of the conversion result of the $\Delta\Sigma$ A/D converter differs depending on the setting of the DSADTYP bit in the $\Delta\Sigma$ A/D converter mode register (DSADMR).

Setting the DSADCEn bit in the $\Delta\Sigma$ A/D converter mode register (DSADMR) to 0 or reset signal generation clears the DSADCRn register to 0000H.

Figure 17-17. Format of $\Delta\Sigma$ A/D Converter Conversion Result Register n (DSADCRn) (n = 0, 1, 2, 3)



- When 24-bit resolution is set (DSADTYP in the DSADMR register = 0)^{Note}

Bit	Symbol	Conversion result of channel n
b15 to b0	DSADCRn[15:0]	Conversion result bits 15 to 0 of channel n

- When 16-bit resolution is set (DSADTYP in the DSADMR register = 1)^{Note}

Bit	Symbol	Conversion result of channel n
b15 to b0	DSADCRn[15:0]	Conversion result bits 23 to 8 of channel n

Note Access to the $\Delta\Sigma$ A/D converter conversion result changes depending on the setting of the DSADTYP bit in the DSADMR register.

- DSADTYP = 0: The lower 16 bits can be read.
Read DSADCRnH as the higher 8 bits.
- DSADTYP = 1: The higher 16 bits can be read.

Caution Be sure to read the $\Delta\Sigma$ A/D converter conversion result register within its maximum pending time after the $\Delta\Sigma$ A/D conversion end interrupt is generated.

17.2.11 Peripheral enable register 1 (PER1)

The PER1 register is used to enable or disable supplying the clock to the peripheral hardware. Clock supply to the hardware that is not used is also stopped so as to decrease the power consumption and noise.

To use the 24-bit $\Delta\Sigma$ A/D converter, be sure to set bit 0 (DSADCEN) to 1.

The PER1 register can be set by a 1-bit or 8-bit memory manipulation instruction.

Reset signal generation clears this register to 00H.

Figure 17-18. Format of Peripheral Enable Register 1 (PER1)

Address: F00FAH After reset: 00H R/W

Symbol	7	<6>	5	4	<3>	2	1	<0>
PER1	0	FMCEN	0	0	DTCEN	0	0	DSADCEN

DSADCEN	Control of 24-bit $\Delta\Sigma$ A/D converter input clock supply
0	Stops input clock supply. <ul style="list-style-type: none"> SFR used by the 24-bit $\Delta\Sigma$ A/D converter cannot be written. The read value is 00H. However, the SFR is not initialized. ^{Note}
1	Enables input clock supply. <ul style="list-style-type: none"> SFR used by the 24-bit $\Delta\Sigma$ A/D converter can be read and written.

Note To initialize the 24-bit $\Delta\Sigma$ A/D converter and the SFR used by the 24-bit $\Delta\Sigma$ A/D converter, use bit 0 (DSADRES) of PRR1.

- Cautions**
1. When setting the 24-bit $\Delta\Sigma$ A/D converter, be sure to set the DSADCEN bit to 1 first.
If DSADCEN = 0, writing to a control register of the $\Delta\Sigma$ A/D converter is ignored.
 2. Be sure to clear bits 7, 5, 4, 2, and 1 to "0".
 3. When a high-speed on-chip oscillator is selected as the input clock, be sure to run the high-speed on-chip oscillator clock frequency correction function to input clock with high frequency precision.

17.2.12 Peripheral reset control register 1 (PRR1)

The PRR1 register is used to independently control resetting each of the peripheral hardware.

Each bit in this register controls resetting and release of the reset state of the corresponding peripheral hardware.

To reset the 24-bit $\Delta\Sigma$ A/D converter, be sure to set bits 0 (DSADRES) to 1.

The PRR1 register can be set by a 1-bit or an 8-bit memory manipulation instruction.

Reset signal generation clears the PRR1 register to 00H.

Figure 17-19. Format of Peripheral Reset Control Register 1 (PRR1)

Address: F00FBH After reset: 00H R/W

Symbol	7	6	5	4	3	2	1	<0>
PRR1	0	0	0	0	0	0	0	DSADRES
DSADRES	Control resetting of the 24-bit $\Delta\Sigma$ A/D converter							
0	Release of the reset state of the 24-bit $\Delta\Sigma$ A/D converter							
1	The 24-bit $\Delta\Sigma$ A/D converter is in the reset state.							

17.2.13 Peripheral clock control register (PCKC)

The PCKC register is used to control peripheral clocks. Set bit 0 to select a clock for the 24-bit $\Delta\Sigma$ A/D converter. The PCKC register can be set by a 1-bit or 8-bit memory manipulation instruction. Reset signal generation clears this register to 00H.

Figure 17-20. Format of Peripheral Clock Control Register (PCKC)

Address: F0098H After reset: 00H R/W

Symbol	7	6	5	4	3	2	<1>	<0>
PCKC	0	0	0	0	0	0	PLLCK	DSADCK

DSADCK	Selection of operation clock for 24-bit $\Delta\Sigma$ A/D converter
0	Supply high-speed on-chip oscillator clock (f_{IH}). (Stop f_{MX} supply) ^{Note 1}
1	Supply high-speed system clock (f_{MX}) ^{Note 2}

- Notes**
1. When selecting the high-speed on-chip oscillator clock, be sure to run the high-speed on-chip oscillator clock frequency correction function.
 2. Only a 12 MHz crystal oscillator can be used as the high-speed system clock frequency (f_{MX}).

Caution Be sure to clear bits 7 to 2 to “0”.

17.3 Operation

The 24-bit $\Delta\Sigma$ A/D converter has the digital signal input pins for four $\Delta\Sigma$ A/D converter conversion results. By passing 2-bit values obtained from these $\Delta\Sigma$ A/D converter conversion results through the digital filter, the value is converted into 24-bit digital values.

The mode setting of the $\Delta\Sigma$ A/D converter of the analog block depends on the values of the DSADMR, DSADGCR0, and DSADGCR1 register. Table 17-5 lists the mode settings.

Table 17-5. Mode Settings

Signal/Mode	<1> Normal	<2> $\Delta\Sigma$ A/D Conversion Stop	<3> Power-down
DSADGAINn2 to DSADGAINn0	Any value	Any value	Any value
DSADPONn	1	1	0
DSADCEn	1	0	0

Remark n = 0 to 3

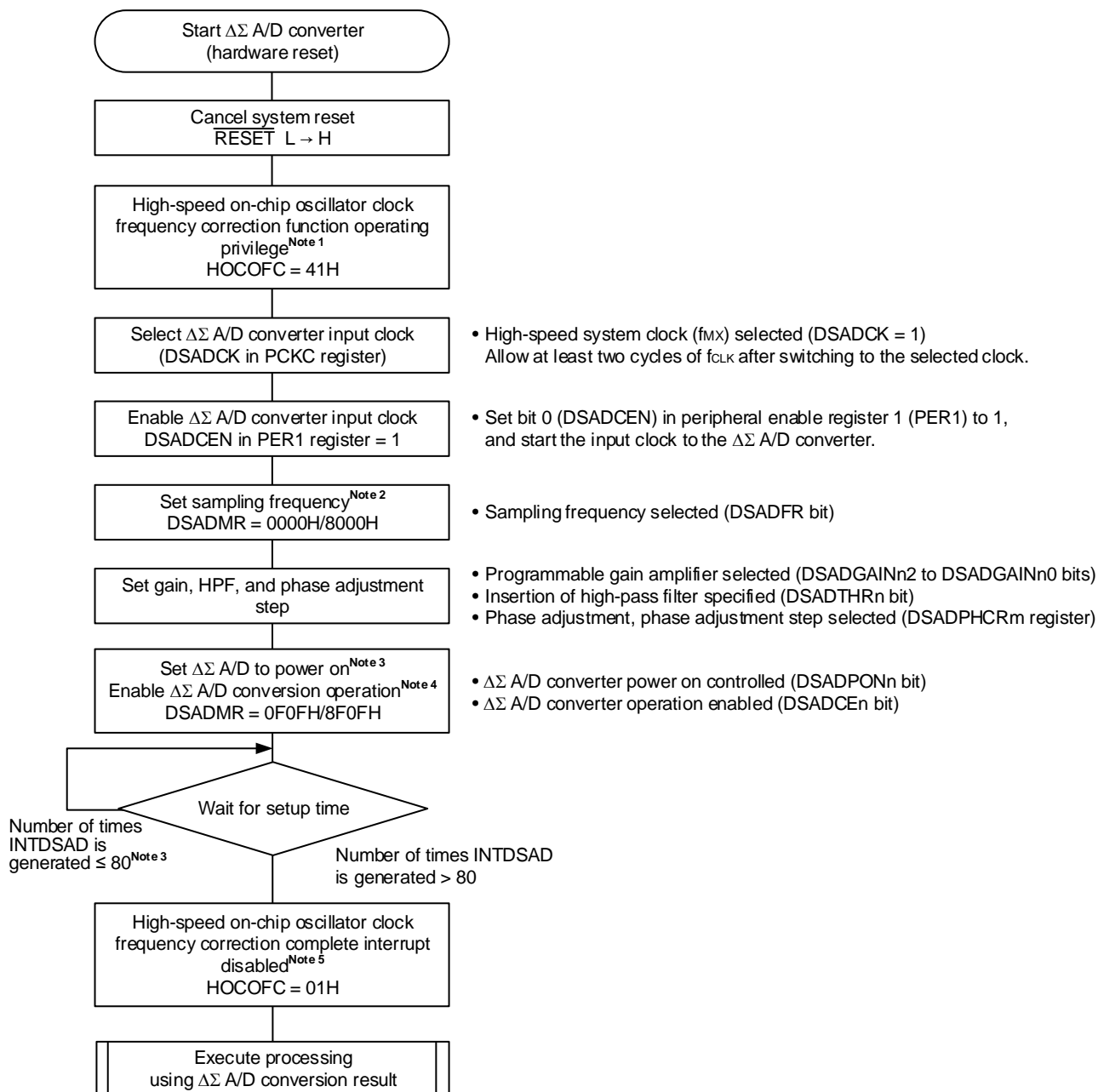
17.3.1 Operation of 24-bit $\Delta\Sigma$ A/D converter

When selecting the high-speed on-chip oscillator clock (f_{IH}), be sure to run the high-speed on-chip oscillator clock frequency correction function according to **7.3.2 Operation procedure** before running the $\Delta\Sigma$ A/D converter.

When selecting the high-speed system clock (f_{MX}), allow at least two cycles of f_{CLK} after switching to the selected clock.

The 24-bit $\Delta\Sigma$ A/D converter starts operating when the DSADPONn bit ($n = 0$ to 3) and the DSADCEn bit in the DSADMR register are set to 1. The setup time of the analog block and digital filter block is required after power on and start of conversion. Perform initialization in accordance with the flowchart below.

Figure 17-21. Initialization Flowchart



(Note and Remark are listed on the next page.)

- Notes**
1. When selecting the high-speed on-chip oscillator clock, be sure to run the high-speed on-chip oscillator clock frequency correction function before running the $\Delta\Sigma$ A/D converter.
 2. Set the sampling frequency while the $\Delta\Sigma$ A/D converter is powered down.
 3. The setup time (the number of times INTDSAD is to be generated) when DSADPONn is set to 0 and then 1 will be officially determined after evaluation.
 4. If the $\Delta\Sigma$ A/D converter is temporarily stopped for initialization (DSADCEn = 0 with DSADPONn = 1) and then restarted, it is necessary to wait for a certain setup time. In this case, since stabilization time is necessary for the converter, wait for one INTDSAD to be generated as the setup time.
To initialize the $\Delta\Sigma$ A/D converter, make sure that DSADCEn remains 0 for at least 1.4 μs .
 5. Perform only when selecting the high-speed on-chip oscillator clock.

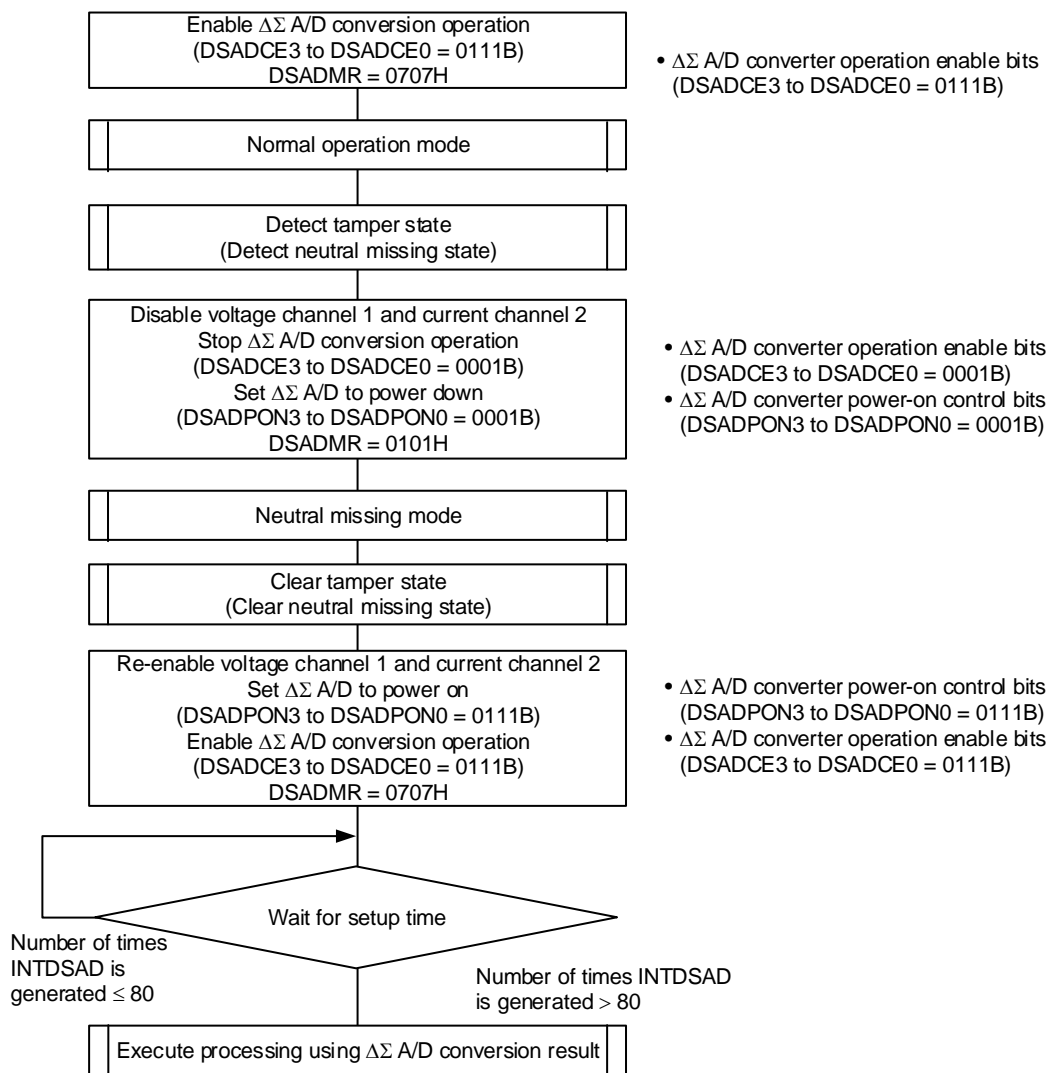
Remark n = 0 to 3; m = 0, 1

17.3.2 Procedure for switching from normal operation mode to neutral missing mode

Figure 17-22 shows the procedure for switching from normal operation (with anti-tamper) (a total of three: current channel 0, voltage channel 1, and current channel 2 operate) to neutral missing mode (only current channel 0 operates), in single-phase two-wire mode.

In neutral missing mode, there are cases when only current channel 0 operates and only current channel 2 operates. Use the same procedure when switching the mode.

Figure 17-22. Procedure for Switching from Normal Operation Mode to Neutral Missing Mode



17.3.3 Interrupt operation

This section shows two interrupt functions that are included by the RL78/I1C 24-bit $\Delta\Sigma$ A/D converter.

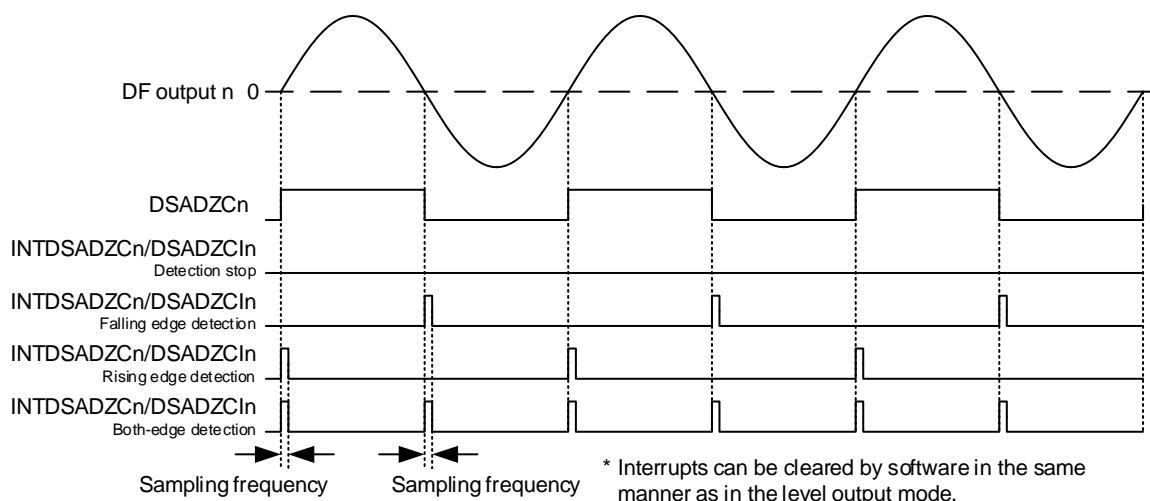
17.3.3.1 Zero-cross detection interrupt operation

The 24-bit $\Delta\Sigma$ A/D converter includes two zero-cross detection interrupts.

The target channel of the zero-cross detection interrupt can be controlled by the DSADZCCTLn bit. Therefore, zero-cross detection interrupt 0 is performed with the target of channel 2 and channel 1 when DSADZCCTL0 = 0 and DSADZCCTL0 = 1, respectively. In the same manner, the zero-cross detection interrupt 1 is performed with the target of channel 3 and channel 0 when DSADZCCTL1 = 0 and DSADZCCTL1 = 1, respectively.

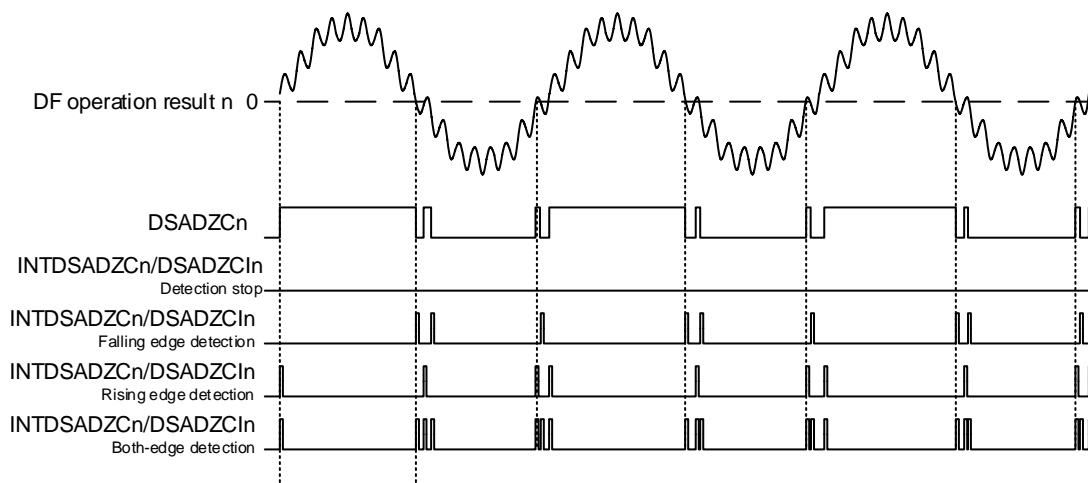
The zero-cross detection interrupt is detected in synchronization with the rising edge of the $\Delta\Sigma$ A/D conversion completion interrupt (INTDSAD). Zero-cross detection interrupt timings are shown in Figures 17-23 and 17-24. The valid edge setting of the zero-cross detection can be controlled by the DSADZCEGNn and DSADZCEGPn bits.

Figure 17-23. INTDSADZCn Interrupt Generation Timing (Pulse Output: DSADZCMDn = 0)



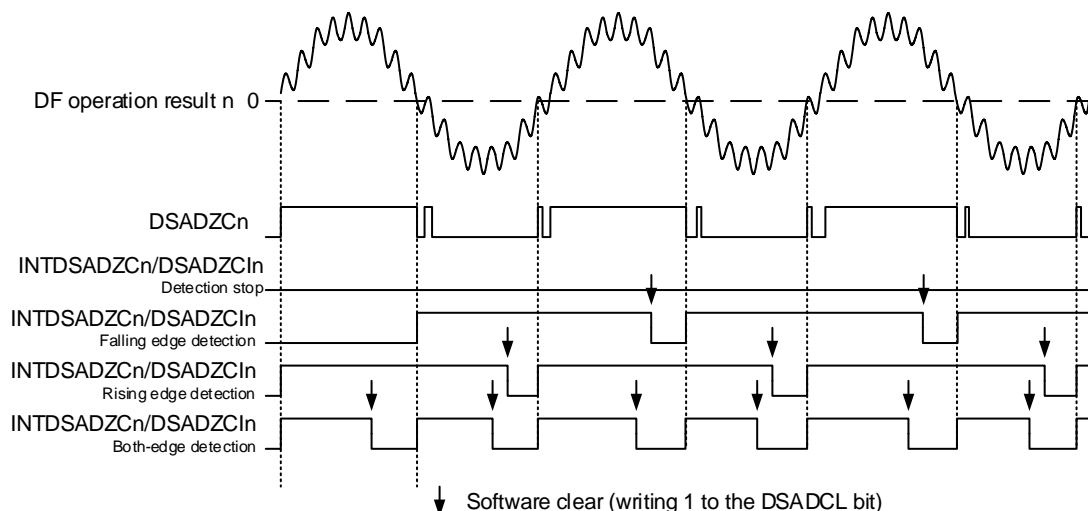
Remark The zero-cross detection interrupt is High for 2 cycles when a series of detection conditions are generated at the timing of both-edge detection.

Figure 17-24. INTDSADZCn Interrupt Generation Timing When the Harmonic Signals Are Included in the DF Output (Pulse Output: DSADZCMDn = 0)



Interrupt may be generated for several times in proximity of a zero cross when the ΔΣ A/D converter DF output includes the harmonic signals. The interrupt output is in the level output mode as shown in Figure 17-25 when setting DSADZCMD0 = 1 if you want to refrain the number of interrupt generations to 1.

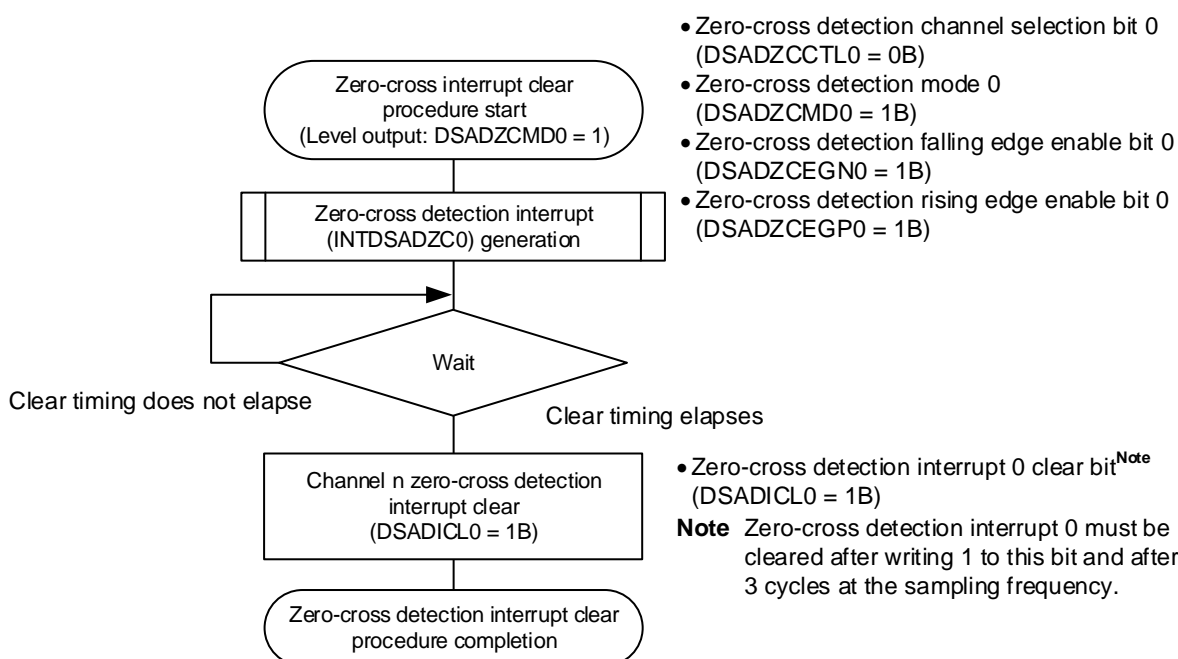
Figure 17-25. INTDSADZCn Interrupt Generation Timing (Level Output: DSADZCMDn = 1)



In the case of level output mode, clear the zero-cross detection interrupt signal n (INTDSADZCn) by using software by writing 1 to the DSADICLn bit until the next zero-cross detection interrupt n generation. The zero-cross detection interrupt n must be cleared by using software at the timing when the harmonic signals do not impact because the interrupt may be generated for several times due to the harmonic signals.

Zero-cross detection interrupt n can be cleared by writing 1 to the DSADICLn bit. In addition, zero-cross detection interrupt n may not be generated at the clear timing by the software because the clear operation is prioritized.

Figure 17-26. Zero-cross Detection Interrupt Clear Procedure (with Selection of channel 2, When Detecting Both Edges)

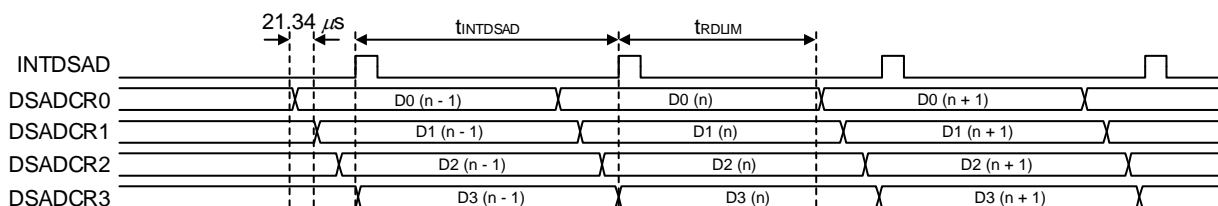


17.3.3.2 $\Delta\Sigma$ A/D conversion end interrupt operation

When $\Delta\Sigma$ A/D conversion is enabled, conversion of the signals on the four channels of analog input pins (ANINn and ANIPn) is started. Four sets of $\Delta\Sigma$ A/D converter circuits are provided, and each of which independently executes conversion. Each time conversion of all four channels is completed, the interrupt request signal (INTDSAD) is generated to inform the CPU that the conversion result can be read.

The generation cycle of INTDSAD ($t_{INTDSAD}$) differs depending on the sampling frequency specified by the DSADFR bit in the DSADMR register. The maximum pending time for reading the $\Delta\Sigma$ A/D converter conversion result register n (DSADCRn) by interrupt servicing is as shown in Figure 17-27. Complete reading of the DSADCRn register within this time.

Figure 17-27. Timing of Generation of INTDSAD Signal and Storing in DSADCRn Register



$t_{INTDSAD}$: Interrupt generation cycle: 256 μs (DSADFR = 0)
 512 μs (DSADFR = 1)
 $t_{RD LIM}$: DSADCR read pending time (max): 192 μs (DSADFR = 0)
 384 μs (DSADFR = 1)

Remark n = 0 to 3

17.3.4 Operation in standby state

In STOP operation mode, the $\Delta\Sigma$ A/D converter and the digital filter do not operate. To reduce current consumption, stop operation of the $\Delta\Sigma$ A/D converter (DSADCEn in the DSADMR register = 0000B) and power down the $\Delta\Sigma$ A/D converter (DSADPONn in the DSADMR register = 0000B) before executing the STOP instruction.

Remark n = 0 to 3

17.4 Notes on Using 24-Bit $\Delta\Sigma$ A/D Converter

17.4.1 External pins

The V_{DD} and V_{BAT} pins are the analog power supply pin of the $\Delta\Sigma$ A/D converter.

The AV_{SS} pin is the ground power supply pin of the $\Delta\Sigma$ A/D converter. Always keep the voltage on this pin the same as that on the V_{SS} pin even when the $\Delta\Sigma$ A/D converter is not used.

17.4.2 SFR access

- (1) Read the DSADCRn register by $\Delta\Sigma$ A/D conversion end interrupt (INTDSAD) servicing. If the DSADCRn register is read before a $\Delta\Sigma$ A/D conversion end interrupt is generated, an illegal value may be read because of a conflict between storing the conversion value in the DSADCRn register and reading the register.

The period of the INTDSAD processing during which the DSADCRn register is read is 192 μs (when DSADFR is set to 0) or 384 μs (when DSADFR is set to 1), so complete reading of the register within this time.

Reading the DSADCRnL, DSADCRnM, and DSADCRnH registers are performed in the same conditions as those described above.

- (2) After powering on the $\Delta\Sigma$ A/D converter (DSADPONn in the DSADMR register = 1), internal setup time is necessary. Consequently, the data of the first 80 conversions is invalid.
- (3) Setup time is also necessary when the $\Delta\Sigma$ A/D converter has been temporarily stopped for initialization (by clearing the DSADCEn bit in the DSADMR register to 0 with DSADPONn = 1) and then restarted. In this case, since stabilization time is necessary for the converter, wait for one INTDSAD to be generated as the setup time. To initialize the $\Delta\Sigma$ A/D converter, make sure that DSADCEn remains 0 for at least 1.4 μs .
- (4) The time required for the correct data to be output after the conversion operation has been enabled (by setting the DSADCEn bit to 1) differs depending on the analog input status at that time. This is because the stabilization time of the high-pass filter changes depending on the analog input status.
- (5) Set the sampling frequency (DSADFR bit in the DSADMR register) while the DSADPONn bit in the DSADMR register is 0.

Be sure to set the DSADGCR1 and DSADGCR0 registers, DSADCOF[1:0] bits in the DSADHPFCR register, DSADZCCTL1 and DSADZCCTL0 bits in the DSADICR register, and DSADPHCRn register while the $\Delta\Sigma$ A/D converter is stopped (DSADCEn = 0).

- (6) Since the DSADCRn register is initialized when the DSADCEn bit is 0, read the DSADCRn register when the DSADCEn bit is 1.
- (7) Clear the DSADPONn bit in the DSADMR register to 0 before shifting to software STOP mode. If software STOP mode is entered with the DSADPONn bit set to 1, a current will flow.
- (8) Latency is required to allow 3 times of $\Delta\Sigma$ A/D conversion completion interrupt generation in order to reflect new setting to the internal logic when the DSADICR register is rewritten. Rewriting the DSADICR register is prohibited during the latency for reflection.

It is required to wait for a total of 3 times of $\Delta\Sigma$ A/D conversion completion interrupt generation before the conversion stop and after the restart of the A/D conversion because the reflection into the internal logic from the DSADICR register stops if the A/D conversion in all channels stops (DSADCEn = 0).

- (9) Latency is required to allow 3 times of $\Delta\Sigma$ A/D conversion completion interrupt generation until the zero-cross detection interrupt is cleared when 1 is written to the DSADICL0 or DSADICL1 bit in the DSADICLR register. Writing 1 to the same bit described above during the latency of clear is invalid.

A total of 3 times of $\Delta\Sigma$ A/D conversion completion interrupts are generated before the conversion stop and after the restart of the A/D conversion because the reflection into the internal logic from the DSADICL0 or DSADICL1 bit stops if the A/D conversion in all channels stops (DSADCEn = 0).

(10) Writing to the DSADTHR_n bit in the DSADHPFCR register shall be completed when any of the following conditions is satisfied:

- DSADCE_n = 0 (Conversion is being stopped)
- Within 21 μ s from the zero-cross detection interrupt

(11) For the zero-cross detection interrupt status bit (DSADZCIn) and DF output status bit (DSADZCn) corresponding to the interrupted channel in the DSADISR register, values become undefined when the A/D conversion for the channel performing the zero-cross detection was stopped. Therefore, do not use the value of corresponding bits after the stop. After the restart of the A/D conversion, the values for the bits described above are corrected when the $\Delta\Sigma$ A/D conversion completion interrupt is generated once.

Remark n = 0 to 3

17.4.3 Setting operating clock

When selecting two frequency division of the high-speed on-chip oscillator clock (f_{HOCO}) as an operation clock for the 24-bit $\Delta\Sigma$ A/D converter, set FRQSEL3 of the user option byte to "0" to make base oscillator clock frequency of the high-speed on-chip oscillator clock (f_{HOCO}) 24 MHz.

When using the high-speed system clock (f_{MX}) by setting DSADCK in the PCKC register to 1, supply 12 MHz.

Also, when selecting the high-speed on-chip oscillator clock ($f_{HOCO}/2$), be sure to run the high-speed on-chip oscillator frequency correction function.

- Cautions**
1. Count the INTDSAD signal 80 times after the $\Delta\Sigma$ A/D converter is started and then load the converted data when the next INTDSAD signal is generated.
 2. Thoroughly evaluate the stabilization time in the environment in which the $\Delta\Sigma$ A/D converter is used.

To stop the 24-bit $\Delta\Sigma$ A/D converter while it is operating, set the DSADPON3 to DSADPON0 bits in the DSADMR register to 0000B, and then set the DSADCEN bit in the PER1 register to 0.

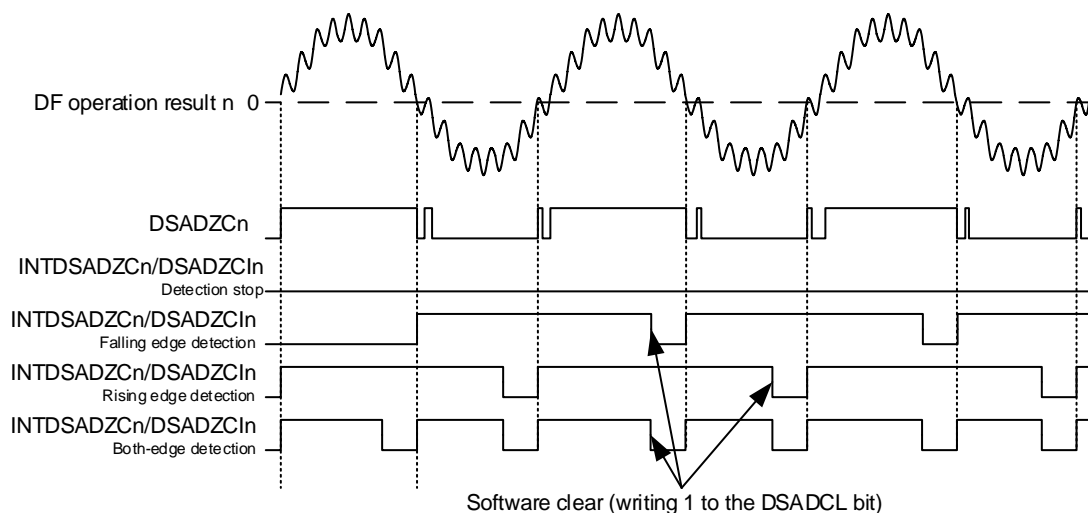
17.4.4 Cycle measurement of the zero-cross detection interrupt by using ELC

Be sure to clear the register by using software by writing 1 to the DSADICLn bit when measuring the cycle of the zero-cross detection interrupt by using event link controller (ELC) by setting the output destination of the INTDSADZCn interrupt to the timer.

In addition, software clear must be performed at the timing when harmonic signals do not impact from the INTDSADZCn interrupt at all.

For more information on the zero-cross detection interrupt, see **17.3.3.1 Zero-cross detection interrupt operation**.

Figure 17-28. INTDSADZC Interrupt Generation Timing (Level Output: DSADZCMD = 1)



17.4.5 Zero-cross detection interrupt software-clear

Be sure to clear the zero-cross detection interrupt registers (INTDSADZC0, INTDSADZC1) by writing 1 to the DSADICLn bit when the zero-cross detection is stopped once and then it is restarted with the setting of the zero-cross detection interrupt in the level output mode (DSADZCMD = 1).

For more information on the zero-cross detection interrupt, see **17.3.3.1 Zero-cross detection interrupt operation**.

CHAPTER 18 SERIAL ARRAY UNIT

Serial array unit has up to four serial channels. Each channel can achieve 3-wire serial (CSI), UART, and simplified I²C communication.

Function assignment of each channel supported by the RL78/I1C is as shown below.

64, 80-pin products

Unit	Channel	Used as CSI	Used as UART	Used as Simplified I ² C
0	0	CSI00	UART0 (supporting LIN-bus)	IIC00
	1	–		–
	2	CSI10	UART1	IIC10
	3	–		–
1	0	–	UART2 (supporting IrDA)	–
	1	–		–
	2	–	–	–
	3	–	–	–

100-pin products

Unit	Channel	Used as CSI	Used as UART	Used as Simplified I ² C
0	0	CSI00	UART0 (supporting LIN-bus)	IIC00
	1	–		–
	2	CSI10	UART1	IIC10
	3	–		–
1	0	–	UART2 (supporting IrDA)	–
	1	–		–
	2	CSI30	UART3	IIC30
	3	–		–

When “UART0” is used for channels 0 and 1 of the unit 0, CSI00 and IIC00 cannot be used, but UART1 or IIC10 can be used.

18.1 Functions of Serial Array Unit

Each serial interface supported by the RL78/I1C has the following features.

18.1.1 3-wire serial I/O (CSI00, CSI10, CSI30)

Data is transmitted or received in synchronization with the serial clock (SCK) output from the master channel.

3-wire serial communication is clocked communication performed by using three communication lines: one for the serial clock (SCK), one for transmitting serial data (SO), one for receiving serial data (SI).

For details about the settings, see **18.5 Operation of 3-Wire Serial I/O (CSI00, CSI10, CSI30) Communication.**

[Data transmission/reception]

- Data length of 7 or 8 bits
- Phase control of transmit/receive data
- MSB/LSB first selectable

[Clock control]

- Master/slave selection
- Phase control of I/O clock
- Setting of transfer period by prescaler and internal counter of each channel
- Maximum transfer rate^{Note}
 - During master communication: Max. $f_{MCK}/2$
 - During slave communication: Max. $f_{MCK}/6$

[Interrupt function]

- Transfer end interrupt/buffer empty interrupt

[Error detection flag]

- Overrun error

In addition, CSI00 supports the SNOOZE mode. When SCK input is detected while in the STOP mode, the SNOOZE mode makes data reception that does not require the CPU possible.

Note Use the clocks within a range satisfying the SCK cycle time (t_{KCY}) characteristics. For details, see **CHAPTER 41 ELECTRICAL SPECIFICATIONS.**

18.1.2 UART (UART0 to UART3)

This is a start-stop synchronization function using two lines: serial data transmission (TxD) and serial data reception (RxD) lines. By using these two communication lines, each data frame, which consist of a start bit, data, parity bit, and stop bit, is transferred asynchronously (using the internal baud rate) between the microcontroller and the other communication party. Full-duplex UART communication can be performed by using a channel dedicated to transmission (even-numbered channel) and a channel dedicated to reception (odd-numbered channel). The LIN-bus can be implemented by using timer array unit with an external interrupt (INTP0).

For details about the settings, see **18.6 Operation of UART (UART0 to UART3) Communication**.

[Data transmission/reception]

- Data length of 7, 8, or 9 bits^{Note}
- Select the MSB/LSB first
- Level setting of transmit/receive data and select of reverse
- Parity bit appending and parity check functions
- Stop bit appending

[Interrupt function]

- Transfer end interrupt/buffer empty interrupt
- Error interrupt in case of framing error, parity error, or overrun error

[Error detection flag]

- Framing error, parity error, or overrun error

In addition, UART0 reception supports the SNOOZE mode. When RxD input is detected while in the STOP mode, the SNOOZE mode makes data reception that does not require the CPU possible.

The LIN-bus is accepted in UART0 (0 and 1 channels of unit 0).

[LIN-bus functions]

- Wakeup signal detection
- Break field (BF) detection
- Sync field measurement, baud rate calculation

} Using the external interrupt (INTP0) and timer array unit

Note Only UART0 can be specified for the 9-bit data length.

18.1.3 Simplified I²C (IIC00, IIC10, IIC30)

This is a clocked communication function to communicate with two or more devices by using two lines: serial clock (SCL) and serial data (SDA). This simplified I²C is designed for single communication with a device such as EEPROM, flash memory, or A/D converter, and therefore, it functions only as a master.

Make sure by using software, as well as operating the control registers, that the AC specifications of the start and stop conditions are observed.

For details about the settings, see **18.8 Operation of Simplified I²C (IIC00, IIC10, IIC30) Communication**.

[Data transmission/reception]

- Master transmission, master reception (only master function with a single master)
- ACK output function^{Note} and ACK detection function
- Data length of 8 bits (When an address is transmitted, the address is specified by the higher 7 bits, and the least significant bit is used for R/W control.)
- Manual generation of start condition and stop condition

[Interrupt function]

- Transfer end interrupt

[Error detection flag]

- ACK error, or overrun error

* [Functions not supported by simplified I²C]

- Slave transmission, slave reception
- Arbitration loss detection function
- Wait detection functions

Note When receiving the last data, ACK will not be output if 0 is written to the SOEmn bit (serial output enable register m (SOEm)) and serial communication data output is stopped. See the processing flow in **18.8.3 (2)** for details.

Remarks 1. To use an I²C bus of full function, see **CHAPTER 19 SERIAL INTERFACE IICA**.

2. m: Unit number (m = 0, 1), n: Channel number (n = 0, 2)

18.1.4 IrDA

By combining UART2 of the serial array unit and the IrDA module, IrDA communication waveforms can be transmitted or received based on IrDA (Infrared Data Association) standard 1.0. For details, see **CHAPTER 20 IrDA**.

[Data transmission/reception]

- Transfer rate: 115.2 kbps/57.6 kbps/38.4 kbps/19.2 kbps/9600 bps/2400 bps

18.2 Configuration of Serial Array Unit

The serial array unit includes the following hardware.

Table 18-1. Configuration of Serial Array Unit

Item	Configuration
Shift register	8 bits or 9 bits ^{Note 1}
Buffer register	Lower 8 bits or 9 bits of serial data register mn (SDRmn) ^{Notes 1, 2}
Serial clock I/O	SCK00, SCK10, SCK30 pins (for 3-wire serial I/O), SCL00, SCL10, SCL30 pins (for simplified I ² C)
Serial data input	SI00, SI10, SI30 pins (for 3-wire serial I/O), RxD1 to RxD3 pins (for UART), RxD0 pin (for UART supporting LIN-bus)
Serial data output	SO00, SO10, SO30 pins (for 3-wire serial I/O), TxD1 to TxD3 pins (for UART), TxD0 pin (for UART supporting LIN-bus)
Serial data I/O	SDA00, SDA10, SDA30 pins (for simplified I ² C)
Control registers	<p><Registers of unit setting block></p> <ul style="list-style-type: none"> • Peripheral enable register 0 (PER0) • Serial clock select register m (SPSm) • Serial channel enable status register m (SEm) • Serial channel start register m (SSm) • Serial channel stop register m (STm) • Serial output enable register m (SOEm) • Serial output register m (SOM) • Serial output level register m (SOLm) • Serial standby control register 0 (SSC0) • Input switch control register (ISC) • Noise filter enable register 0 (NFEN0) • Peripheral reset control register 0 (PRR0) <p><Registers of each channel></p> <ul style="list-style-type: none"> • Serial data register mn (SDRmn) • Serial mode register mn (SMRmn) • Serial communication operation setting register mn (SCRmn) • Serial status register mn (SSRmn) • Serial flag clear trigger register mn (SIRmn) <ul style="list-style-type: none"> • Port input mode registers 0, 1, 8 (PIM0, PIM1, PIM8) • Port output mode registers 0, 1, 8 (POM0, POM1, POM8) • Port mode registers 0, 1, 8 (PM0, PM1, PM8) • Port registers 0, 1, 8 (P0, P1, P8)

(Notes and Remark are listed on the next page.)

- Notes**
1. The number of bits used as the shift register and buffer register differs depending on the unit and channel.
 - $mn = 00, 01$: lower 9 bits
 - Other than above: lower 8 bits
 2. The lower 8 bits of serial data register mn (SDR mn) can be read or written as the following SFR, depending on the communication mode.
 - CSI p communication ... SIO p (CSI p data register)
 - UART q reception ... RXD q (UART q receive data register)
 - UART q transmission ... TXD q (UART q transmit data register)
 - IIC r communication ... SIO r (IIC r data register)

Remark m : Unit number ($m = 0, 1$), n : Channel number ($n = 0$ to 3), p : CSI number ($p = 00, 10, 30$),
 q : UART number ($q = 0$ to 3), r : IIC number ($r = 00, 10, 30$), $mn = 00$ to $03, 10$ to 13

Figure 18-1 shows the block diagram of the serial array unit 0.

Figure 18-1. Block Diagram of Serial Array Unit 0

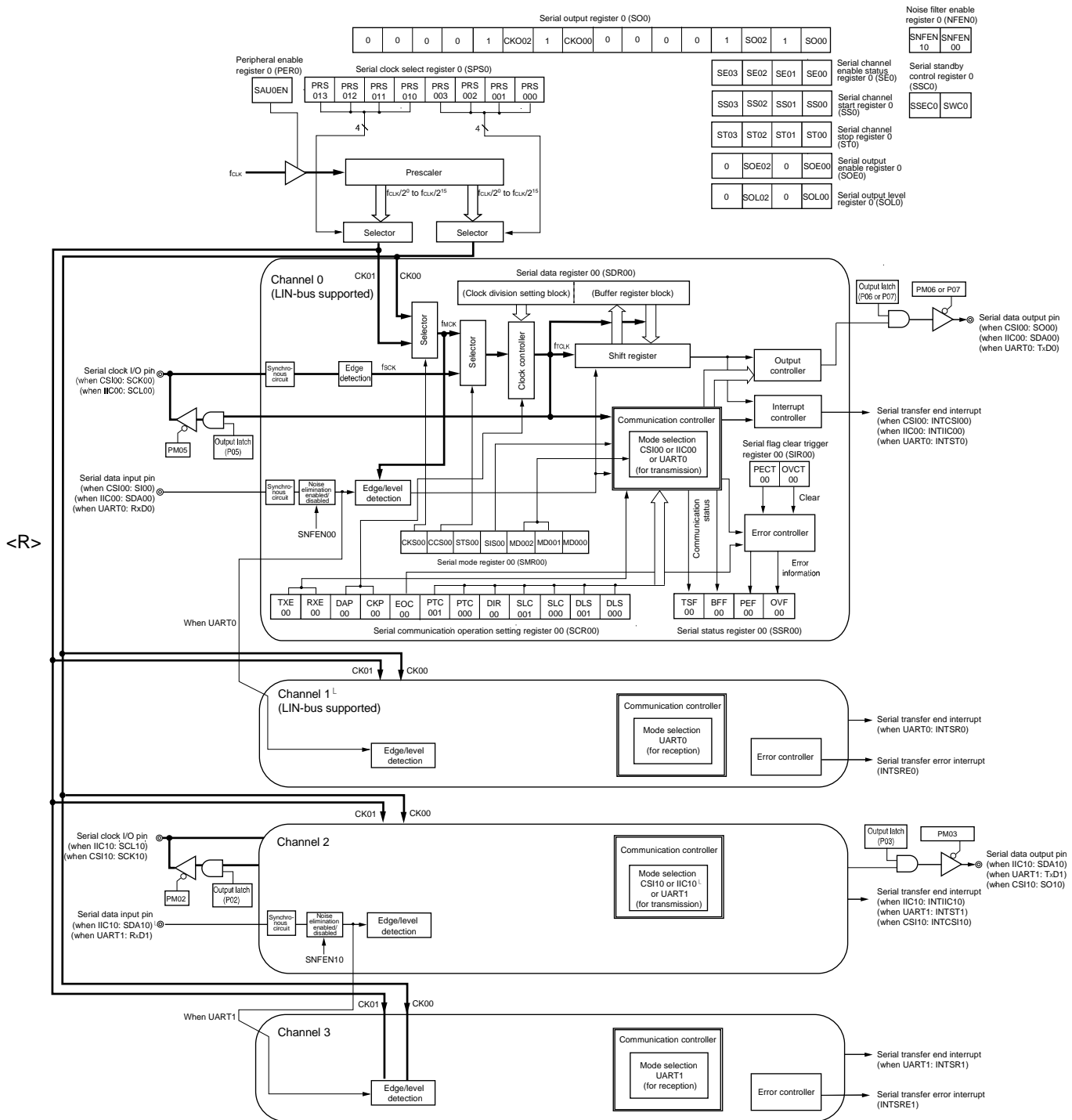
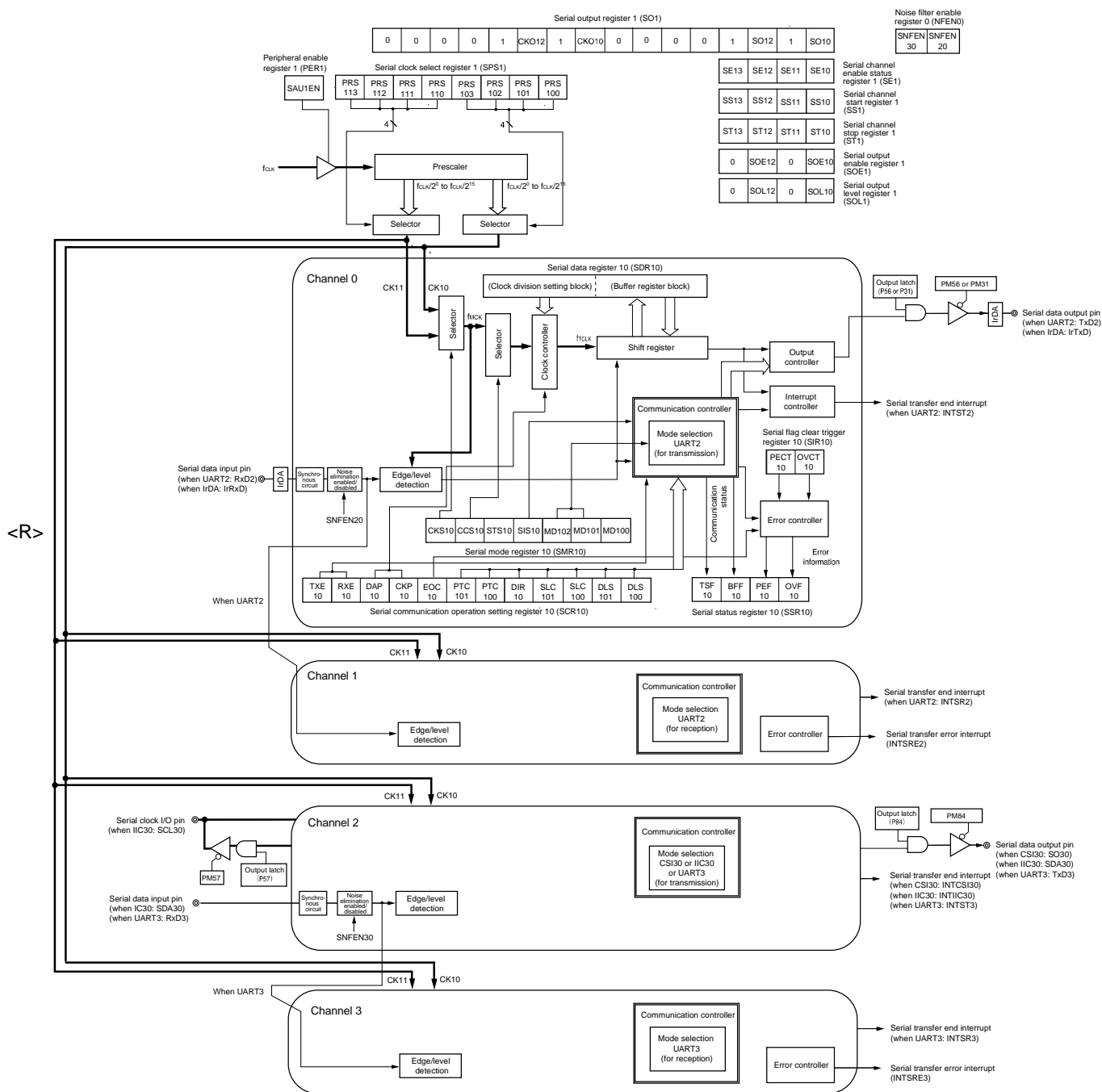


Figure 18-2 shows the block diagram of the serial array unit 1.

Figure 18-2. Block Diagram of Serial Array Unit 1



18.2.1 Shift register

This is a 9-bit register that converts parallel data into serial data or vice versa.

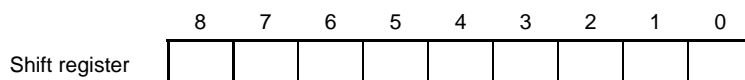
In case of the UART communication of nine bits of data, nine bits (bits 0 to 8) are used^{Note}.

During reception, it converts data input to the serial pin into parallel data.

When data is transmitted, the value set to this register is output as serial data from the serial output pin.

The shift register cannot be directly manipulated by program.

To read or write the shift register, use the lower 8/9 bits of serial data register mn (SDRmn).



<R> **Note** Only UART0 can be specified for the 9-bit data length.

18.2.2 Lower 8/9 bits of the serial data register mn (SDRmn)

The SDRmn register is the transmit/receive data register (16 bits) of channel n. Bits 8 to 0 (lower 9 bits)^{Note 1} or bits 7 to 0 (lower 8 bits) function as a transmit/receive buffer register, and bits 15 to 9 are used as a register that sets the division ratio of the operation clock (f_{MCK}).

When data is received, parallel data converted by the shift register is stored in the lower 8/9 bits. When data is to be transmitted, set transmit to be transferred to the shift register to the lower 8/9 bits.

The data stored in the lower 8/9 bits of this register is as follows, depending on the setting of bits 0 and 1 (DLSmn0, DLSmn1) of serial communication operation setting register mn (SCRmn), regardless of the output sequence of the data.

- 7-bit data length (stored in bits 0 to 6 of SDRmn register)
- 8-bit data length (stored in bits 0 to 7 of SDRmn register)
- 9-bit data length (stored in bits 0 to 8 of SDRmn register)^{Note 1}

The SDRmn register can be read or written in 16-bit units.

The lower 8/9 bits of the SDRmn register can be read or written^{Note 2} as the following SFR, depending on the communication mode.

- CSIp communication ... SIOp (CSIp data register)
- UARTq reception ... RXDq (UARTq receive data register)
- UARTq transmission ... TXDq (UARTq transmit data register)
- IICr communication ... SIOr (IICr data register)

Reset signal generation clears the SDRmn register to 0000H.

Notes 1. Only UART0 can be specified for the 9-bit data length.

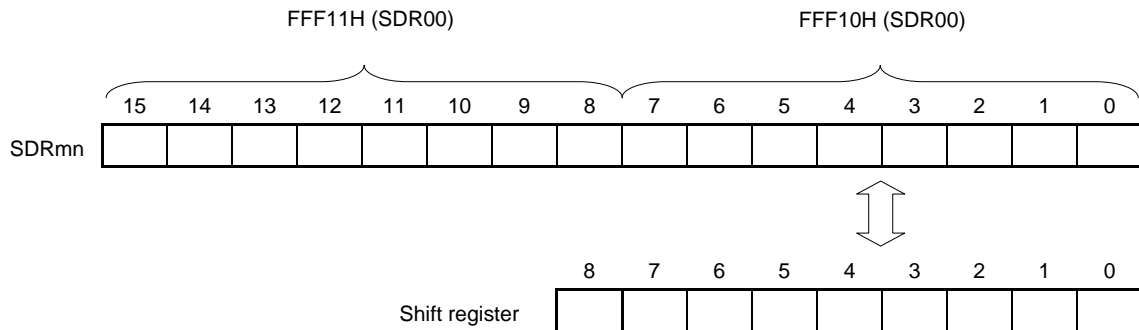
2. Rewriting SDRmn[7:0] by 8-bit memory manipulation instruction is prohibited when the operation is stopped (SEmn = 0) (all of SDRmn[15:9] are cleared (0)).

Remarks 1. After data is received, "0" is stored in bits 0 to 8 in bit portions that exceed the data length.

2. m: Unit number (m = 0, 1), n: Channel number (n = 0 to 3), p: CSI number (p = 00, 10, 30), q: UART number (q = 0 to 3), r: IIC number (r = 00, 10, 30), mn = 00 to 03, 10 to 13

Figure 18-3. Format of Serial Data Register mn (SDRmn) (mn = 00, 01, 10, 11)

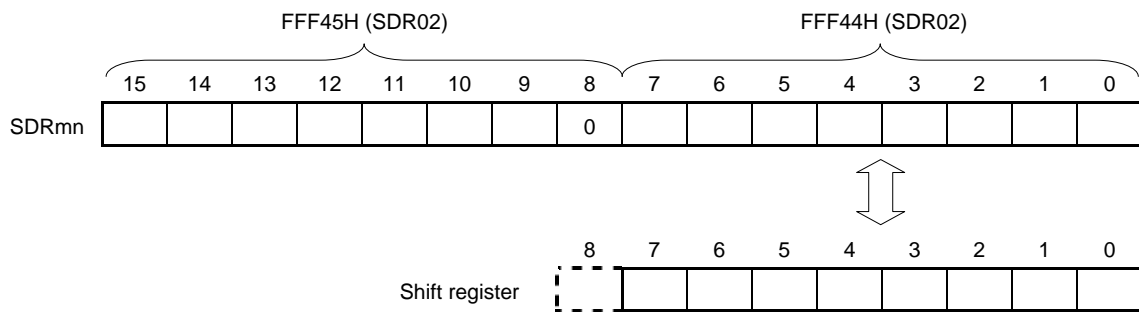
Address: FFF10H, FFF11H (SDR00), FFF12H, FFF13H (SDR01), FFF48H, FFF49H (SDR10), FFF4AH, FFF4BH (SDR11) After reset: 0000H R/W



Remark For the function of the higher 7 bits of the SDRmn register, see **18.3 Registers Controlling Serial Array Unit**.

Figure 18-4. Format of Serial Data Register mn (SDRmn) (mn = 02, 03, 12, 13)

Address: FFF44H, FFF45H (SDR02), FFF46H, FFF47H (SDR03), FFF14H, FFF15H (SDR12), FFF16H, FFF17H (SDR13) After reset: 0000H R/W



Caution Be sure to clear bit 8 to “0”.

Remark For the function of the higher 7 bits of the SDRmn register, see **18.3 Registers Controlling Serial Array Unit**.

18.3 Registers Controlling Serial Array Unit

Serial array unit is controlled by the following registers.

- Peripheral enable register 0 (PER0)
- Serial clock select register m (SPSm)
- Serial mode register mn (SMRmn)
- Serial communication operation setting register mn (SCRmn)
- Serial data register mn (SDRmn)
- Serial flag clear trigger register mn (SIRmn)
- Serial status register mn (SSRmn)
- Serial channel start register m (SSm)
- Serial channel stop register m (STm)
- Serial channel enable status register m (SEm)
- Serial output enable register m (SOEm)
- Serial output level register m (SOLm)
- Serial output register m (SOM)
- Serial standby control register 0 (SSC0)
- Input switch control register (ISC)
- Noise filter enable register 0 (NFEN0)
- Port input mode registers 0, 1, 8 (PIM0, PIM1, PIM8)
- Port output mode registers 0, 1, 8 (POM0, POM1, POM8)
- Port mode registers 0, 1, 8 (PM0, PM1, PM8)
- Port registers 0, 1, 8 (P0, P1, P8)
- Peripheral reset control register 0 (PRR0)

Remark m: Unit number (m = 0, 1), n: Channel number (n = 0 to 3), mn = 00 to 03, 10 to 13

18.3.1 Peripheral enable register 0 (PER0)

PER0 is used to enable or disable supplying the clock to the peripheral hardware. Clock supply to a hardware macro that is not used is stopped in order to reduce the power consumption and noise.

When serial array unit 0 is used, be sure to set bit 2 (SAU0EN) of this register to 1.

When serial array unit 1 is used, be sure to set bit 3 (SAU1EN) of this register to 1.

The PER0 register can be set by a 1-bit or 8-bit memory manipulation instruction.

Reset signal generation clears the PER0 register to 00H.

Figure 18-5. Format of Peripheral Enable Register 0 (PER0)

Address: F00F0H After reset: 00H R/W

Symbol	7	<6>	<5>	<4>	<3>	<2>	1	<0>
PER0	0	IRDAEN	ADCEN	IICA0EN	SAU1EN	SAU0EN	0	TAU0EN

SAUmEN	Control of serial array unit m input clock supply
0	Stops supply of input clock. <ul style="list-style-type: none"> SFR used by the serial array unit m cannot be written. The read value is 00H. However, the SFR is not initialized. <small>Notes 1, 2</small>
1	Enables input clock supply. <ul style="list-style-type: none"> SFR used by serial array unit m can be read/written.

Notes 1. To initialize the serial array unit 1 and the SFR used by the serial array unit 1, use bit 3 (SAU1RES) of PRR0.

2. To initialize the serial array unit 0 and the SFR used by the serial array unit 0, use bit 2 (SAU0RES) of PRR0.

Cautions 1. When setting serial array unit m, be sure to first set the following registers with the SAUmEN bit set to 1. If SAUmEN = 0, writing to a control register of serial array unit m is ignored, and, even if the register is read, only the default value is read (except for the input switch control register (ISC), noise filter enable register 0 (NFEN0), port input mode registers 0, 1, 3, 5, 8 (PIM0, PIM1, PIM3, PIM5, PIM8), port output mode registers 0, 1, 3, 5, 8 (POM0, POM1, POM3, POM5, POM8), port mode registers 0, 1, 3, 5, 8 (PM0, PM1, PM3, PM5, PM8), and port registers 0, 1, 3, 5, 8 (P0, P1, P3, P5, P8)).

- Serial clock select register m (SPSm)
- Serial mode register mn (SMRmn)
- Serial communication operation setting register mn (SCRmn)
- Serial data register mn (SDRmn)
- Serial flag clear trigger register mn (SIRmn)
- Serial status register mn (SSRmn)
- Serial channel start register m (SSm)
- Serial channel stop register m (STm)
- Serial channel enable status register m (SEm)
- Serial output enable register m (SOEm)
- Serial output level register m (SOLm)
- Serial output register m (SOM)
- Serial standby control register m (SSCm)

2. Be sure to clear bits 7 and 1 to “0”.

Remark m: Unit number (m = 0, 1), n:Channel number (n = 0 to 3)

18.3.2 Serial clock select register m (SPSm)

The SPSm register is a 16-bit register that is used to select two types of operation clocks (CKm0, CKm1) that are commonly supplied to each channel. CKm1 is selected by bits 7 to 4 of the SPSm register, and CKm0 is selected by bits 3 to 0.

Rewriting the SPSm register is prohibited when the register is in operation (when SEMn = 1).

The SPSm register can be set by a 16-bit memory manipulation instruction.

The lower 8 bits of the SPSm register can be set with an 8-bit memory manipulation instruction with SPSmL.

Reset signal generation clears the SPSm register to 0000H.

Figure 18-6. Format of Serial Clock Select Register m (SPSm)

Address: F0126H, F0127H (SPS0), F0166H, F0167H (SPS1) After reset: 0000H R/W

Symbol	15	14	13	12	11	10	9	8	7	6	5	4	3	2	1	0
SPSm	0	0	0	0	0	0	0	0	PRS m13	PRS m12	PRS m11	PRS m10	PRS m03	PRS m02	PRS m01	PRS m00

PRS mk3	PRS mk2	PRS mk1	PRS mk0	f _{CLK}	Section of operation clock (CKmk) ^{Note}				
					f _{CLK} = 4 MHz	f _{CLK} = 8 MHz	f _{CLK} = 12 MHz	f _{CLK} = 20 MHz	f _{CLK} = 24 MHz
0	0	0	0	f _{CLK}	4 MHz	8 MHz	12 MHz	20 MHz	24 MHz
0	0	0	1	f _{CLK} /2	2 MHz	4 MHz	6 MHz	10 MHz	12 MHz
0	0	1	0	f _{CLK} /2 ²	1 MHz	2 MHz	3 MHz	5 MHz	6 MHz
0	0	1	1	f _{CLK} /2 ³	500 kHz	1 MHz	1.5 MHz	2.5 MHz	3 MHz
0	1	0	0	f _{CLK} /2 ⁴	250 kHz	500 kHz	750 kHz	1.25 MHz	1.5 MHz
0	1	0	1	f _{CLK} /2 ⁵	125 kHz	250 kHz	375 kHz	625 kHz	750 kHz
0	1	1	0	f _{CLK} /2 ⁶	62.5 kHz	125 kHz	187.5 kHz	313 kHz	375 kHz
0	1	1	1	f _{CLK} /2 ⁷	31.25 kHz	62.5 kHz	93.8 kHz	156 kHz	187.5 kHz
1	0	0	0	f _{CLK} /2 ⁸	15.62 kHz	31.25 kHz	46.9 kHz	78.1 kHz	93.8 kHz
1	0	0	1	f _{CLK} /2 ⁹	7.81 kHz	15.62 kHz	23.4 kHz	39.1 kHz	46.9 kHz
1	0	1	0	f _{CLK} /2 ¹⁰	3.91 kHz	7.81 kHz	11.7 kHz	19.5 kHz	23.4 kHz
1	0	1	1	f _{CLK} /2 ¹¹	1.95 kHz	3.91 kHz	5.86 kHz	9.77 kHz	11.7 kHz
1	1	0	0	f _{CLK} /2 ¹²	976 Hz	1.95 kHz	2.93 kHz	4.88 kHz	5.86 kHz
1	1	0	1	f _{CLK} /2 ¹³	488 Hz	976 Hz	1.46 kHz	2.44 kHz	2.93 kHz
1	1	1	0	f _{CLK} /2 ¹⁴	244 Hz	488 Hz	732 Hz	1.22 kHz	1.46 kHz
1	1	1	1	f _{CLK} /2 ¹⁵	122 Hz	244 Hz	366 Hz	610 Hz	732 Hz

Note When changing the clock selected for f_{CLK} (by changing the system clock control register (CKC) value), do so after having stopped (serial channel stop register m (STm) = 000FH) the operation of the serial array unit (SAU).

Caution Be sure to clear bits 15 to 8 to “0”.

- Remarks**
1. f_{CLK}: CPU/peripheral hardware clock frequency
 2. m: Unit number (m = 0, 1)
 3. k = 0, 1

18.3.3 Serial mode register mn (SMRmn)

The SMRmn register is a register that sets an operation mode of channel n. It is also used to select an operation clock (f_{MCK}), specify whether the serial clock (f_{SCK}) may be input or not, set a start trigger, an operation mode (CSI, UART, or simplified I²C), and an interrupt source. This register is also used to invert the level of the receive data only in the UART mode.

Rewriting the SMRmn register is prohibited when the register is in operation (when SE_{mn} = 1). However, the MD_{mn0} bit can be rewritten during operation.

The SMRmn register can be set by a 16-bit memory manipulation instruction.

Reset signal generation sets the SMRmn register to 0020H.

Figure 18-7. Format of Serial Mode Register mn (SMRmn) (1/2)

Address: F0110H, F0111H (SMR00) to F0116H, F0117H (SMR03), After reset: 0020H R/W
 F0150H, F0151H (SMR10) to F0156H, F0157H (SMR13)

Symbol	15	14	13	12	11	10	9	8	7	6	5	4	3	2	1	0
SMRmn	CKS mn	CCS mn	0	0	0	0	0	STS mn ^{Note}	0	SIS mn0 ^{Note}	1	0	0	MD mn2	MD mn1	MD mn0

CKS mn	Selection of operation clock (f _{MCK}) of channel n
0	Operation clock CK _{m0} set by the SPS _m register
1	Operation clock CK _{m1} set by the SPS _m register
Operation clock (f _{MCK}) is used by the edge detector. In addition, depending on the setting of the CCS _{mn} bit and the higher 7 bits of the SDR _{mn} register, a transfer clock (f _{TCLK}) is generated.	

CCS mn	Selection of transfer clock (f _{TCLK}) of channel n
0	Divided operation clock f _{MCK} specified by the CKS _{mn} bit
1	Clock input f _{SCK} from the SCK _p pin (slave transfer in CSI mode)
Transfer clock f _{TCLK} is used for the shift register, communication controller, output controller, interrupt controller, and error controller. When CCS _{mn} = 0, the division ratio of operation clock (f _{MCK}) is set by the higher 7 bits of the SDR _{mn} register.	

STS mn	Selection of start trigger source
0	Only software trigger is valid (selected for CSI, UART transmission, and simplified I ² C).
1	Valid edge of the RxD _q pin (selected for UART reception)
Transfer is started when the above source is satisfied after 1 is set to the SS _m register.	

Note The SMR01, SMR03, SMR11, and SMR13 registers only.

Caution Be sure to clear bits 13 to 9, 7, 4, and 3 (or bits 13 to 6, 4, and 3 for the SMR00, SMR02, SMR10, or SMR12 register) to “0”. Be sure to set bit 5 to “1”.

Remark m: Unit number (m = 0, 1), n: Channel number (n = 0 to 3), p: CSI number (p = 00, 10, 30),
 q: UART number (q = 0 to 3), r: IIC number (r = 00, 10, 30), mn = 00 to 03, 10 to 13

Figure 18-7. Format of Serial Mode Register mn (SMRmn) (2/2)

Address: F0110H, F0111H (SMR00) to F0116H, F0117H (SMR03), After reset: 0020H R/W
 F0150H, F0151H (SMR10) to F0156H, F0157H (SMR13)

Symbol	15	14	13	12	11	10	9	8	7	6	5	4	3	2	1	0
SMRmn	CKS mn	CCS mn	0	0	0	0	0	STS mn ^{Note}	0	SIS mn0 ^{Note}	1	0	0	MD mn2	MD mn1	MD mn0

SIS mn0	Controls inversion of level of receive data of channel n in UART mode	
0	Falling edge is detected as the start bit. The input communication data is captured as is.	
1	Rising edge is detected as the start bit. The input communication data is inverted and captured.	

MD mn2	MD mn1	Setting of operation mode of channel n	
0	0	CSI mode	
0	1	UART mode	
1	0	Simplified I ² C mode	
1	1	Setting prohibited	

MD mn0	Selection of interrupt source of channel n	
0	Transfer end interrupt	
1	Buffer empty interrupt (Occurs when data is transferred from the SDRmn register to the shift register.)	
For successive transmission, the next transmit data is written by setting the MDmn0 bit to 1 when SDRmn data has run out.		

Note The SMR01, SMR03, SMR11, and SMR13 registers only.

Caution Be sure to clear bits 13 to 9, 7, 4, and 3 (or bits 13 to 6, 4, and 3 for the SMR00, SMR02, SMR10, or SMR12 register) to “0”. Be sure to set bit 5 to “1”.

Remark m: Unit number (m = 0, 1), n: Channel number (n = 0 to 3), p: CSI number (p = 00, 10, 30),
 q: UART number (q = 0 to 3), r: IIC number (r = 00, 10, 30), mn = 00 to 03, 10 to 13

18.3.4 Serial communication operation setting register mn (SCRmn)

The SCRmn register is a communication operation setting register of channel n. It is used to set a data transmission/reception mode, phase of data and clock, whether an error signal is to be masked or not, parity bit, start bit, stop bit, and data length.

Rewriting the SCRmn register is prohibited when the register is in operation (when SEMn = 1).

The SCRmn register can be set by a 16-bit memory manipulation instruction.


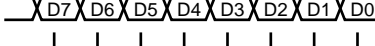
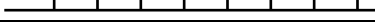


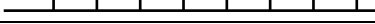

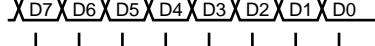
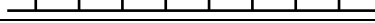

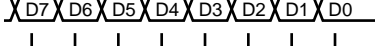
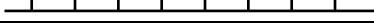
Reset signal generation sets the SCRmn register to 0087H.

Figure 18-8. Format of Serial Communication Operation Setting Register mn (SCRmn) (1/2)

Address: F0118H, F0119H (SCR00) to F011EH, F011FH (SCR03), After reset: 0087H R/W
 F0158H, F0159H (SCR10) to F015EH, F015FH (SCR13)

Symbol	15	14	13	12	11	10	9	8	7	6	5	4	3	2	1	0
SCRmn	TXE mn	RXE mn	DAP mn	CKP mn	0	EOC mn	PTC mn1	PTC mn0	DIR mn	0	SLCm n1 ^{Note 1}	SLC mn0	0	1	DLSm n1 ^{Note 2}	DLS mn0

TXE mn	RXE mn	Setting of operation mode of channel n
0	0	Disable communication.
0	1	Reception only
1	0	Transmission only
1	1	Transmission/reception

DAP mn	CKP mn	Selection of data and clock phase in CSI mode	Type
0	0	SCKp  SOp  Slp input timing 	1
0	1	SCKp  SOp  Slp input timing 	2
1	0	SCKp  SOp  Slp input timing 	3
1	1	SCKp  SOp  Slp input timing 	4

Be sure to set DAPmn, CKPmn = 0, 0 in the UART mode and simplified I²C mode.

EOC mn	Mask control of error interrupt signal (INTSREx (x = 0 to 2))
0	Disables generation of error interrupt INTSREx (INTSRx is generated).
1	Enables generation of error interrupt INTSREx (INTSRx is not generated if an error occurs).
Set EOCmn = 0 in the CSI mode, simplified I ² C mode, and during UART transmission ^{Note 3} .	

- Notes**
1. The SCR00, SCR02, SCR10, and SCR12 registers only.
 2. The SCR00, SCR01, and SCR10 registers, and the SCR11 register of 100-pin products only. Others are fixed to 1.
 3. When using CSImn not with EOCmn = 0, error interrupt INTSREn may be generated.

Caution Be sure to clear bits 3, 6, and 11 to “0” (Also clear bit 5 of the SCR01, SCR03, SCR11, or SCR13 register to 0). Be sure to set bit 2 to “1”.

Remark m: Unit number (m = 0, 1), n: Channel number (n = 0 to 3), p: CSI number (p = 00, 10, 30), mn = 00 to 03, 10 to 13

Figure 18-8. Format of Serial Communication Operation Setting Register mn (SCRmn) (2/2)

Address: F0118H, F0119H (SCR00) to F011EH, F011FH (SCR03), After reset: 0087H R/W
 F0158H, F0159H (SCR10) to F015EH, F015FH (SCR13)

Symbol	15	14	13	12	11	10	9	8	7	6	5	4	3	2	1	0
SCRmn	TXE mn	RXE mn	DAP mn	CKP mn	0	EOC mn	PTC mn1	PTC mn0	DIR mn	0	SLCm n1 ^{Note 1}	SLC mn0	0	1	DLSm n1 ^{Note 2}	DLS mn0

PTC mn1	PTC mn0	Setting of parity bit in UART mode			
		Transmission		Reception	
0	0	Does not output the parity bit.		Receives without parity	
0	1	Outputs 0 parity ^{Note 3} .		No parity judgment	
1	0	Outputs even parity.		Judged as even parity.	
1	1	Outputs odd parity.		Judges as odd parity.	
Be sure to set PTCmn1, PTCmn0 = 0, 0 in the CSI mode and simplified I ² C mode.					

DIR mn	Selection of data transfer sequence in CSI and UART modes			
	0	Inputs/outputs data with MSB first.		
	1	Inputs/outputs data with LSB first.		
Be sure to clear DIRmn = 0 in the simplified I ² C mode.				

SLCm n1 ^{Note 1}	SLC mn0	Setting of stop bit in UART mode			
		0	0	No stop bit	
		0	1	Stop bit length = 1 bit	
		1	0	Stop bit length = 2 bits (mn = 00, 02, 10, 12 only)	
		1	1	Setting prohibited	
When the transfer end interrupt is selected, the interrupt is generated when all stop bits have been completely transferred. Set 1 bit (SLCmn1, SLCmn0 = 0, 1) during UART reception and in the simplified I ² C mode. Set no stop bit (SLCmn1, SLCmn0 = 0, 0) in the CSI mode. Set 1 bit (SLCmn1, SLCmn0 = 0, 1) or 2 bits (SLCmn1, SLCmn0 = 1, 0) during UART transmission.					

DLSm n1 ^{Note 2}	DLS mn0	Setting of data length in CSI and UART modes			
		0	1	9-bit data length (stored in bits 0 to 8 of the SDRmn register) (settable in UART mode only)	
		1	0	7-bit data length (stored in bits 0 to 6 of the SDRmn register)	
		1	1	8-bit data length (stored in bits 0 to 7 of the SDRmn register)	
		Other than above		Setting prohibited	
Be sure to set DLSmn1, DLSmn0 = 1, 1 in the simplified I ² C mode.					

- Notes**
1. The SCR00, SCR02, SCR10, and SCR12 registers only.
 2. The SCR00, SCR01, and SCR10 registers, and the SCR11 register of 100-pin products only. Others are fixed to 1.
 3. 0 is always added regardless of the data contents.

Caution Be sure to clear bits 3, 6, and 11 to “0” (Also clear bit 5 of the SCR01, SCR03, SCR11, or SCR13 register to 0). Be sure to set bit 2 to “1”.

Remark m: Unit number (m = 0, 1), n: Channel number (n = 0 to 3), p: CSI number (p = 00, 10, 30), mn = 00 to 03, 10 to 13

18.3.5 Serial data register mn (SDRmn)

The SDRmn register is the transmit/receive data register (16 bits) of channel n. Bits 8 to 0 (lower 9 bits) of SDR00, SDR01, SDR10^{Note 1}, and SDR11^{Note 1} or bits 7 to 0 (lower 8 bits) of SDR02, SDR03, SDR10^{Note 2}, SDR11^{Note 2}, SDR12, and SDR13 function as a transmit/receive buffer register, and bits 15 to 9 (higher 7 bits) are used as a register that sets the division ratio of the operation clock (f_{MCK}).

If the CCSmn bit of serial mode register mn (SMRmn) is cleared to 0, the clock set by dividing the operating clock by bits 15 to 9 (higher 7 bits) of the SDRmn register is used as the transfer clock.

If the CCSmn bit of serial mode register mn (SMRmn) is set to 1, set bits 15 to 9 (upper 7 bits) of SDR00, SDR02, and SDR12 to 0000000B. The input clock f_{SCK} (slave transfer in CSI mode) from the SCKp pin is used as the transfer clock.

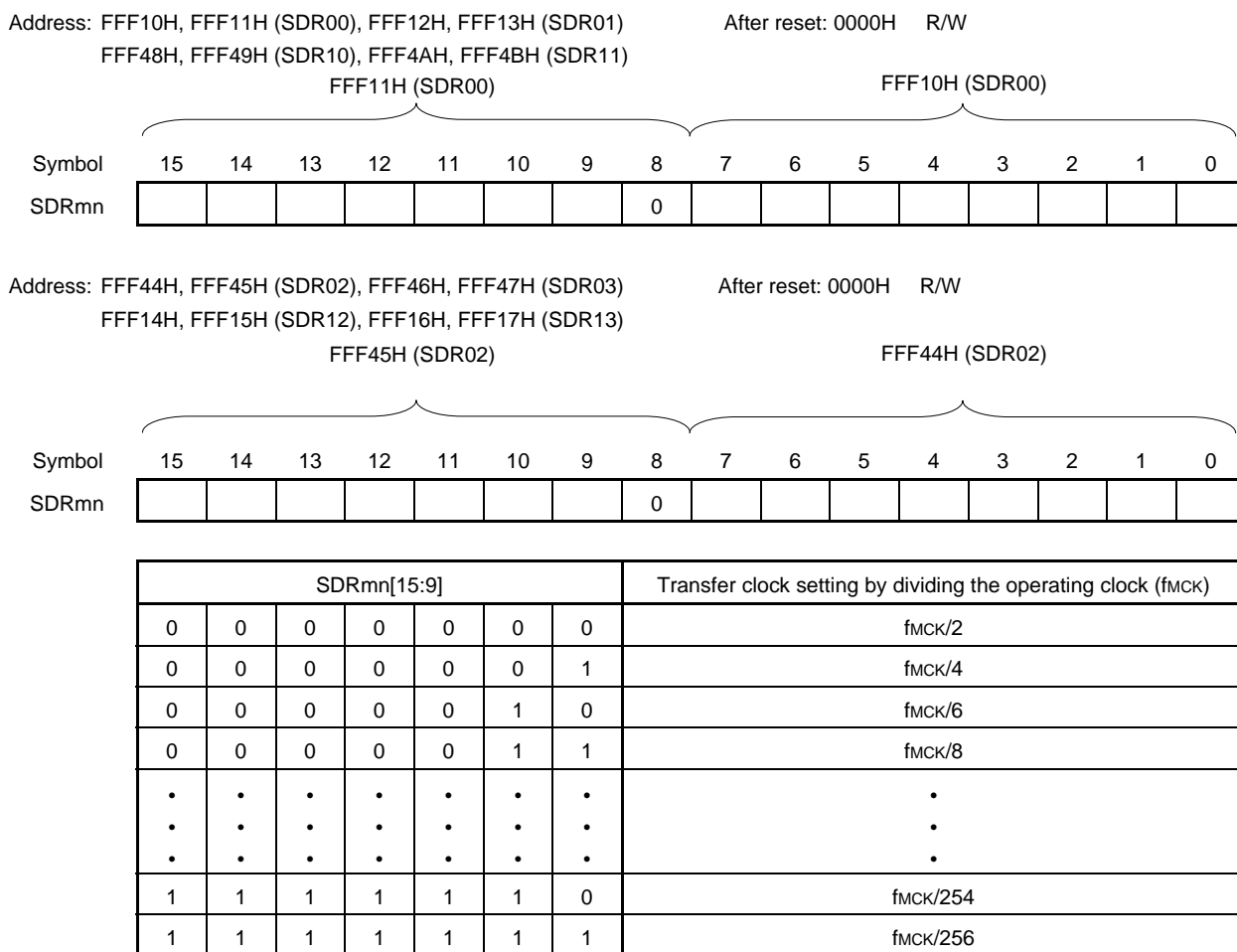
The lower 8/9 bits of the SDRmn register function as a transmit/receive buffer register. During reception, the parallel data converted by the shift register is stored in the lower 8/9 bits, and during transmission, the data to be transmitted to the shift register is set to the lower 8/9 bits.

The SDRmn register can be read or written in 16-bit units.

However, the higher 7 bits can be written or read only when the operation is stopped (SEmn = 0). During operation (SEmn = 1), a value is written only to the lower 8/9 bits of the SDRmn register. When the SDRmn register is read during operation, the higher 7 bits are always read as 0.

Reset signal generation clears the SDRmn register to 0000H.

Figure 18-9. Format of Serial Data Register mn (SDRmn)



(Notes, Cautions, and Remarks are listed on the next page.)

- <R> **Notes** 1. R5F10NPJ, R5F10NMJ, R5F10NPG only
- <R> 2. R5F10NMG, R5F10NLG, R5F10NME, R5F10NLE only
- <R> **Cautions** 1. Be sure to clear bit 8 of the SDR02, SDR03, SDR12, and SDR13 registers, and of the SDR10 and SDR11 registers in R5F10NPJ, R5F10NMJ, R5F10NPG to “0”.
2. Setting SDRmn[15:9] = (0000000B, 0000001B) is prohibited when UART is used.
3. Setting SDRmn[15:9] = 0000000B is prohibited when simplified I²C is used. Set SDRmn[15:9] to 0000001B or greater.
4. Rewriting SDRmn[7:0] by 8-bit memory manipulation instruction is prohibited when the operation is stopped (SEmn = 0) (all of SDRmn[15:9] are cleared (0)).
- Remarks** 1. For the function of the lower 8/9 bits of the SDRmn register, see **18.2 Configuration of Serial Array Unit**.
2. m: Unit number (m = 0, 1), n: Channel number (n = 0 to 3), mn = 00 to 03, 10 to 13

18.3.6 Serial flag clear trigger register mn (SIRmn)

The SIRmn register is a trigger register that is used to clear each error flag of channel n.

When each bit (FECTmn, PECTmn, OVCTmn) of this register is set to 1, the corresponding bit (FEFmn, PEFmn, OVFMn) of serial status register mn is cleared to 0. Because the SIRmn register is a trigger register, it is cleared immediately when the corresponding bit of the SSRmn register is cleared.

The SIRmn register can be set by a 16-bit memory manipulation instruction.

The lower 8 bits of the SIRmn register can be set with an 8-bit memory manipulation instruction with SIRmnL.

Reset signal generation clears the SIRmn register to 0000H.

Figure 18-10. Format of Serial Flag Clear Trigger Register mn (SIRmn)

Address: F0108H, F0109H (SIR00) to F010EH, F010FH (SIR03), After reset: 0000H R/W
 F0148H, F0149H (SIR10) to F014EH, F014FH (SIR13)

Symbol	15	14	13	12	11	10	9	8	7	6	5	4	3	2	1	0
SIRmn	0	0	0	0	0	0	0	0	0	0	0	0	0	FECT mn ^{Note}	PEC Tmn	OVC Tmn

FEC Tmn	Clear trigger of framing error of channel n
0	Not cleared
1	Clears the FEFmn bit of the SSRmn register to 0.

PEC Tmn	Clear trigger of parity error flag of channel n
0	Not cleared
1	Clears the PEFmn bit of the SSRmn register to 0.

OVC Tmn	Clear trigger of overrun error flag of channel n
0	Not cleared
1	Clears the OVFMn bit of the SSRmn register to 0.

Note The SIR01, SIR03, SIR11, and SIR13 registers only.

Caution Be sure to clear bits 15 to 3 (or bits 15 to 2 for the SIR00, SIR02, SIR10, or SIR12 register) to “0”.

- Remarks**
1. m: Unit number (m = 0, 1), n: Channel number (n = 0 to 3), mn = 00 to 03, 10 to 13
 2. When the SIRmn register is read, 0000H is always read.

18.3.7 Serial status register mn (SSRmn)

The SSRmn register is a register that indicates the communication status and error occurrence status of channel n. The errors indicated by this register are a framing error, parity error, and overrun error.

The SSRmn register can be read by a 16-bit memory manipulation instruction.

The lower 8 bits of the SSRmn register can be set with an 8-bit memory manipulation instruction with SSRmnL.

Reset signal generation clears the SSRmn register to 0000H.

Figure 18-11. Format of Serial Status Register mn (SSRmn) (1/2)

Address: F0100H, F0101H (SSR00) to F0106H, F0107H (SSR03), After reset: 0000H R
 F0140H, F0141H (SSR10) to F0142H, F0143H (SSR13)

Symbol	15	14	13	12	11	10	9	8	7	6	5	4	3	2	1	0
SSRmn	0	0	0	0	0	0	0	0	0	TSF _{mn}	BFF _{mn}	0	0	FEF _{mn} ^{Note}	PEF _{mn}	OVF _{mn}

TSF _{mn}	Communication status indication flag of channel n
0	Communication is stopped or suspended.
1	Communication is in progress.
<Clear conditions> <ul style="list-style-type: none"> • The ST_{mn} bit of the ST_{mn} register is set to 1 (communication is stopped) or the SS_{mn} bit of the SS_{mn} register is set to 1 (communication is suspended). • Communication ends. <Set condition> <ul style="list-style-type: none"> • Communication starts. 	

BFF _{mn}	Buffer register status indication flag of channel n
0	Valid data is not stored in the SDR _{mn} register.
1	Valid data is stored in the SDR _{mn} register.
<Clear conditions> <ul style="list-style-type: none"> • Transferring transmit data from the SDR_{mn} register to the shift register ends during transmission. • Reading receive data from the SDR_{mn} register ends during reception. • The ST_{mn} bit of the ST_{mn} register is set to 1 (communication is stopped) or the SS_{mn} bit of the SS_{mn} register is set to 1 (communication is enabled). <Set conditions> <ul style="list-style-type: none"> • Transmit data is written to the SDR_{mn} register while the TXE_{mn} bit of the SCR_{mn} register is set to 1 (transmission or transmission and reception mode in each communication mode). • Receive data is stored in the SDR_{mn} register while the RXE_{mn} bit of the SCR_{mn} register is set to 1 (reception or transmission and reception mode in each communication mode). • A reception error occurs. 	

Note The SSR01, SSR03, SSR11, and SSR13 registers only.

Caution When the CSI is performing reception operations in the SNOOZE mode (SWC_m = 1), the BFF_{mn} flag will not change.

Remark m: Unit number (m = 0, 1), n: Channel number (n = 0 to 3), mn = 00 to 03, 10 to 13

Figure 18-11. Format of Serial Status Register mn (SSRmn) (2/2)

Address: F0100H, F0101H (SSR00) to F0106H, F0107H (SSR03), After reset: 0000H R
 F0140H, F0141H (SSR10) to F0142H, F0143H (SSR13)

Symbol	15	14	13	12	11	10	9	8	7	6	5	4	3	2	1	0
SSRmn	0	0	0	0	0	0	0	0	0	TSMn	BFFm	0	0	FEFm	PEF	OVF
										n	n			n ^{Note}	mn	mn

FEFmn	Framing error detection flag of channel n
0	No error occurs.
1	An error occurs (during UART reception).
<Clear condition> <ul style="list-style-type: none"> • 1 is written to the FECTmn bit of the SIRmn register. <Set condition> <ul style="list-style-type: none"> • A stop bit is not detected when UART reception ends. 	

PEFmn	Parity/ACK error detection flag of channel n
0	No error occurs.
1	Parity error occurs (during UART reception) or ACK is not detected (during I ² C transmission).
<Clear condition> <ul style="list-style-type: none"> • 1 is written to the PECTmn bit of the SIRmn register. <Set condition> <ul style="list-style-type: none"> • The parity of the transmit data and the parity bit do not match when UART reception ends (parity error). • No ACK signal is returned from the slave channel at the ACK reception timing during I²C transmission (ACK is not detected). 	

OVFmn	Overrun error detection flag of channel n
0	No error occurs.
1	An error occurs
<Clear condition> <ul style="list-style-type: none"> • 1 is written to the OVCTmn bit of the SIRmn register. <Set condition> <ul style="list-style-type: none"> • Even though receive data is stored in the SDRmn register, that data is not read and transmit data or the next receive data is written while the RXEmn bit of the SCRmn register is set to 1 (reception or transmission and reception mode in each communication mode). • Transmit data is not ready for slave transmission or transmission and reception in CSI mode. 	

Note The SSR01, SSR03, SSR11, and SSR13 registers only.

- Cautions**
1. If data is written to the SDRmn register when BFFmn = 1, the transmit/receive data stored in the register is discarded and an overrun error (OVEmn = 1) is detected.
 2. When the CSI is performing reception operations in the SNOOZE mode (SWCm = 1), the OVFmn flag will not change.

Remark m: Unit number (m = 0, 1), n: Channel number (n = 0 to 3), mn = 00 to 03, 10 to 13

18.3.8 Serial channel start register m (SSm)

The SSm register is a trigger register that is used to enable starting communication/count by each channel.

When 1 is written a bit of this register (SSmn), the corresponding bit (SEmn) of serial channel enable status register m (SEm) is set to 1 (Operation is enabled). Because the SSmn bit is a trigger bit, it is cleared immediately when SEmn = 1.

The SSm register can be set by a 16-bit memory manipulation instruction.

The lower 8 bits of the SSm register can be set with an 1-bit or 8-bit memory manipulation instruction with SSmL.

Reset signal generation clears the SSm register to 0000H.

Figure 18-12. Format of Serial Channel Start Register m (SSm)

Address: F0122H, F0123H (SS0) After reset: 0000H R/W

Symbol	15	14	13	12	11	10	9	8	7	6	5	4	3	2	1	0
SS0	0	0	0	0	0	0	0	0	0	0	0	0	SS03	SS02	SS01	SS00

Address: F0162H, F0163H (SS1) After reset: 0000H R/W

Symbol	15	14	13	12	11	10	9	8	7	6	5	4	3	2	1	0
SS1	0	0	0	0	0	0	0	0	0	0	0	0	SS13	SS12	SS11	SS10

SSmn	Operation start trigger of channel n
0	No trigger operation
1	Sets the SEmn bit to 1 and enters the communication wait status ^{Note} .

Note If set the SSmn = 1 to during a communication operation, will wait status to stop the communication. At this time, holding status value of control register and shift register, SCKmn and SOMn pins, and FEFmn, PEFmn, OVFmn flags.

- Cautions**
1. Be sure to clear bits 15 to 4 of the SS0 register, bits 15 to 2 of the SS1 register in 64-pin and 80-pin products, and bits 15 to 4 of the SS1 register in 100-pin products to “0”.
 2. For the UART reception, set the RXEmn bit of SCRmn register to 1, and then be sure to set SSmn to 1 after 4 or more fMCK clocks have elapsed.

- Remarks**
1. m: Unit number (m = 0, 1), n: Channel number (n = 0 to 3), mn = 00 to 03, 10 to 13
 2. When the SSm register is read, 0000H is always read.

18.3.9 Serial channel stop register m (STm)

The STm register is a trigger register that is used to enable stopping communication/count by each channel.

When 1 is written a bit of this register (STmn), the corresponding bit (SEmn) of serial channel enable status register m (SEm) is cleared to 0 (operation is stopped). Because the STmn bit is a trigger bit, it is cleared immediately when SEmn = 0.

The STm register can set written by a 16-bit memory manipulation instruction.

The lower 8 bits of the STm register can be set with a 1-bit or 8-bit memory manipulation instruction with STmL.

Reset signal generation clears the STm register to 0000H.

Figure 18-13. Format of Serial Channel Stop Register m (STm)

Address: F0124H, F0125H (ST0) After reset: 0000H R/W

Symbol	15	14	13	12	11	10	9	8	7	6	5	4	3	2	1	0
ST0	0	0	0	0	0	0	0	0	0	0	0	0	ST03	ST02	ST01	ST00

Address: F0164H, F0165H (ST1) After reset: 0000H R/W

Symbol	15	14	13	12	11	10	9	8	7	6	5	4	3	2	1	0
ST1	0	0	0	0	0	0	0	0	0	0	0	0	ST13	ST12	ST11	ST10

STm n	Operation stop trigger of channel n															
0	No trigger operation															
1	Clears the SEmn bit to 0 and stops the communication operation ^{Note} .															

Note Holding status value of the control register and shift register, the SCKmn and SOMn pins, and FEFmn, PEFmn, OVFmn flags.

Caution Be sure to clear bits 15 to 4 of the ST0 register, bits 15 to 2 of the ST1 register in 64-pin and 80-pin products, and bit 15 to 4 of the ST1 register in 100-pin products to “0”.

Remarks 1. m: Unit number (m = 0, 1), n: Channel number (n = 0 to 3), mn = 00 to 03, 10 to 13
 2. When the STm register is read, 0000H is always read.

18.3.10 Serial channel enable status register m (SEm)

The SEm register indicates whether data transmission/reception operation of each channel is enabled or stopped.

When 1 is written a bit of serial channel start register m (SSm), the corresponding bit of this register is set to 1. When 1 is written a bit of serial channel stop register m (STm), the corresponding bit is cleared to 0.

Channel n that is enabled to operate cannot rewrite by software the value of the CKOm_n bit (serial clock output of channel n) of serial output register m (SOM) to be described below, and a value reflected by a communication operation is output from the serial clock pin.

Channel n that stops operation can set the value of the CKOm_n bit of the SOM register by software and output its value from the serial clock pin. In this way, any waveform, such as that of a start condition/stop condition, can be created by software.

The SEm register can be read by a 16-bit memory manipulation instruction.

The lower 8 bits of the SEm register can be set with a 1-bit or 8-bit memory manipulation instruction with SEmL.

Reset signal generation clears the SEm register to 0000H.

Figure 18-14. Format of Serial Channel Enable Status Register m (SEm)

Address: F0120H, F0121H (SE0) After reset: 0000H R

Symbol	15	14	13	12	11	10	9	8	7	6	5	4	3	2	1	0
SE0	0	0	0	0	0	0	0	0	0	0	0	0	SE03	SE02	SE01	SE00

Address: F0160H, F0161H (SE1) After reset: 0000H R

Symbol	15	14	13	12	11	10	9	8	7	6	5	4	3	2	1	0
SE1	0	0	0	0	0	0	0	0	0	0	0	0	SE13	SE12	SE11	SE10

SEm _n	Indication of operation enable/stop status of channel n
0	Operation stops
1	Operation is enabled.

Remark m: Unit number (m = 0, 1), n: Channel number (n = 0 to 3), mn = 00 to 03, 10 to 13

18.3.11 Serial output enable register m (SOEm)

The SOEm register is a register that is used to enable or stop output of the serial communication operation of each channel.

Channel n that enables serial output cannot rewrite by software the value of the SOMn bit of serial output register m (SOM) to be described below, and a value reflected by a communication operation is output from the serial data output pin.

For channel n, whose serial output is stopped, the SOMn bit value of the SOM register can be set by software, and that value can be output from the serial data output pin. In this way, any waveform of the start condition and stop condition can be created by software.

The SOEm register can be set by a 16-bit memory manipulation instruction.

The lower 8 bits of the SOEm register can be set with a 1-bit or 8-bit memory manipulation instruction with SOEmL. Reset signal generation clears the SOEm register to 0000H.

Figure 18-15. Format of Serial Output Enable Register m (SOEm)

Address: F012AH, F012BH (SOE0) After reset: 0000H R/W

Symbol	15	14	13	12	11	10	9	8	7	6	5	4	3	2	1	0
SOE0	0	0	0	0	0	0	0	0	0	0	0	0	0	SOE 02	0	SOE 00

Address: F016AH, F016BH (SOE1) After reset: 0000H R/W

Symbol	15	14	13	12	11	10	9	8	7	6	5	4	3	2	1	0
SOE1	0	0	0	0	0	0	0	0	0	0	0	0	0	SOE 12	0	SOE 10

SOE mn	Serial output enable/stop of channel n															
0	Stops output by serial communication operation.															
1	Enables output by serial communication operation.															

Caution Be sure to clear bits 15 to 3 and 1 of the SOE0 register, bits 15 to 1 of the SOE1 register in 64-pin and 80-pin products, and bits 15 to 3 and 1 of the SOE1 register in 100-pin products to “0”.

Remark m: Unit number (m = 0, 1), n: Channel number (n = 0, 2), mn = 00, 02, 10, 12

18.3.12 Serial output register m (SOM)

The SOM register is a buffer register for serial output of each channel.

The value of the SOMn bit of this register is output from the serial data output pin of channel n.

The value of the CKOMn bit of this register is output from the serial clock output pin of channel n.

The SOMn bit of this register can be rewritten by software only when serial output is disabled (SOEmn = 0). When serial output is enabled (SOEmn = 1), rewriting by software is ignored, and the value of the register can be changed only by a serial communication operation.

The CKOMn bit of this register can be rewritten by software only when the channel operation is stopped (SEmn = 0). While channel operation is enabled (SEmn = 1), rewriting by software is ignored, and the value of the CKOMn bit can be changed only by a serial communication operation.

To use the pin for serial interface as a port function pin, set the corresponding CKOMn and SOMn bits to “1”.

The SOM register can be set by a 16-bit memory manipulation instruction.

Reset signal generation sets the SO0 register to 0F0FH and SO1 register to 0F0FH or 0303H.

Figure 18-16. Format of Serial Output Register m (SOM)

Address: F0128H, F0129H (SO0) After reset: 0F0FH R/W

Symbol	15	14	13	12	11	10	9	8	7	6	5	4	3	2	1	0
SO0	0	0	0	0	1	CKO 02	1	CKO 00	0	0	0	0	1	SO 02	1	SO 00

<R> Address: F0168H, F0169H (SO1) After reset: 0F0FH (R5F10NPJ, R5F10NMJ, R5F10NPG), 0303H (R5F10NMG, R5F10NLG, R5F10NME, R5F10NLE) R/W

Symbol	15	14	13	12	11	10	9	8	7	6	5	4	3	2	1	0
SO1	0	0	0	0	1	CKO 12	1	CKO 10	0	0	0	0	1	SO 12	1	SO 10

CKO mn	Serial clock output of channel n														
0	Serial clock output value is “0”.														
1	Serial clock output value is “1”.														

SO mn	Serial data output of channel n														
0	Serial data output value is “0”.														
1	Serial data output value is “1”.														

Caution Be sure to clear bits 15 to 12 and 7 to 4 of the SO0 register to “0”. And be sure to set bits 11, 9, 3, and 1 to “1”.

For the SO1 register in products with 64 or 128 Kbytes of code flash memory, be sure to clear bits 15 to 10 and 7 to 2 to 0, and set bits 9, 8, and 1 to 1.

For the SO1 register in products with 256 Kbytes of code flash memory, be sure to clear bits 15 to 12 and 7 to 4 to 0, and set bits 11, 9, 8, 3, and 1 to 1.

<R>

Remark m: Unit number (m = 0, 1), n: Channel number (n = 0, 2), mn = 00, 02, 10, 12

18.3.13 Serial output level register m (SOLm)

The SOLm register is a register that is used to set inversion of the data output level of each channel.

This register can be set only in the UART mode. Be sure to set 0 for corresponding bit in the CSI mode and simplifies I²C mode.

Inverting channel n by using this register is reflected on pin output only when serial output is enabled (SOEmn = 1). When serial output is disabled (SOEmn = 0), the value of the SOMn bit is output as is.

Rewriting the SOLm register is prohibited when the register is in operation (when SEMn = 1).

The SOLm register can be set by a 16-bit memory manipulation instruction.

The lower 8 bits of the SOLm register can be set with an 8-bit memory manipulation instruction with SOLmL.

Reset signal generation clears the SOLm register to 0000H.

Figure 18-17. Format of Serial Output Level Register m (SOLm)

Address: F0134H, F0135H (SOL0) After reset: 0000H R/W

Symbol	15	14	13	12	11	10	9	8	7	6	5	4	3	2	1	0
SOL0	0	0	0	0	0	0	0	0	0	0	0	0	0	SOL 02	0	SOL 00

Address: F0174H, F0175H (SOL1) After reset: 0000H R/W

Symbol	15	14	13	12	11	10	9	8	7	6	5	4	3	2	1	0
SOL1	0	0	0	0	0	0	0	0	0	0	0	0	0	SOL 12	0	SOL 10

SOL mn	Selects inversion of the level of the transmit data of channel n in UART mode
0	Communication data is output as is.
1	Communication data is inverted and output.

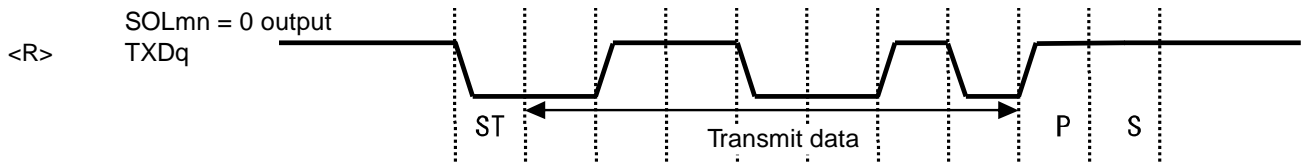
Caution Be sure to clear bits 15 to 3, and 1 of the SOL0 register, bits 15 to 1 of the SOL1 register in 64-pin and 80-pin products, and bits 15 to 3 and 1 of the SOL1 register in 100-pin products to “0”.

Remark m: Unit number (m = 0, 1), n: Channel number (n = 0, 2), mn = 00, 02, 10, 12

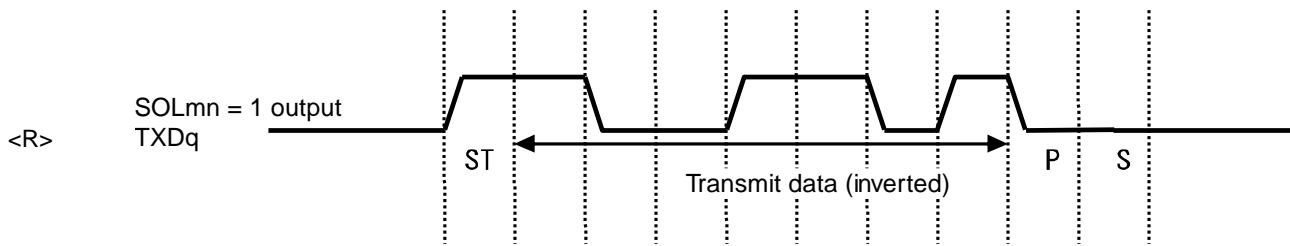
Figure 18-18 shows examples in which the level of transmit data is reversed during UART transmission.

Figure 18-18. Examples of Reverse Transmit Data

(1) Non-reverse Output (SOLmn = 0)



(2) Reverse Output (SOLmn = 1)



Remark m: Unit number (m = 0, 1), n: Channel number (n = 0, 2), mn = 00, 02, 10, 12

18.3.14 Serial standby control register 0 (SSC0)

The SSC0 register is used to control the startup of reception (the SNOOZE mode) while in the STOP mode when receiving CSI00 or UART0 serial data.

The SSC0 register can be set by a 16-bit memory manipulation instruction.

The lower 8 bits of the SSC0 register can be set with an 8-bit memory manipulation instruction with SSC0L.

Reset signal generation clears the SSC0 register to 0000H.

Caution The maximum transfer rate in the SNOOZE mode is as follows.

- When using CSI00 : Up to 1 Mbps
- When using UART0 : 4800 bps only

Figure 18-19. Format of Serial Standby Control Register 0 (SSC0)

Address: F0138H (SSC0) After reset: 0000H R/W

Symbol	15	14	13	12	11	10	9	8	7	6	5	4	3	2	1	0
SSC0	0	0	0	0	0	0	0	0	0	0	0	0	0	0	SS EC0	SWC 0

SS EC0	Selection of whether to enable or disable the generation of communication error interrupts in the SNOOZE mode
0	Enable the generation of error interrupts (INTSRE0)
1	Stop the generation of error interrupts (INTSRE0)
<ul style="list-style-type: none"> • The SSECm bit can be set to 1 or 0 only when both the SWC0 and EOCmn bits are set to 1 during UART reception in the SNOOZE mode. In other cases, clear the SSEC0 bit to 0. • Setting SSEC0, SWC0 = 1, 0 is prohibited. 	

SWC 0	Setting of the SNOOZE mode
0	Do not use the SNOOZE mode function.
1	Use the SNOOZE mode function.
<ul style="list-style-type: none"> • When there is a hardware trigger signal in the STOP mode, the STOP mode is exited, and A/D conversion is performed without operating the CPU (the SNOOZE mode). • The SNOOZE mode function can only be specified when the high-speed on-chip oscillator clock is selected for the CPU/peripheral hardware clock (f_{CLK}). If any other clock is selected, specifying this mode is prohibited. • Even when using SNOOZE mode, be sure to set the SWC0 bit to 0 in normal operation mode and change it to 1 just before shifting to STOP mode. Also, be sure to change the SWC0 bit to 0 after returning from STOP mode to normal operation mode. 	

Figure 18-20. Interrupt in UART Reception Operation in SNOOZE Mode

EOCmn Bit	SSECm Bit	Reception Ended Successfully	Reception Ended in an Error
0	0	INTSRx is generated.	INTSRx is generated.
0	1	INTSRx is generated.	INTSRx is generated.
1	0	INTSRx is generated.	INTSREx is generated.
1	1	INTSRx is generated.	No interrupt is generated.

18.3.15 Input switch control register (ISC)

The ISC0 bit of the ISC register is used to realize a LIN-bus communication operation by UART0 in coordination with an external interrupt and the timer array unit.

When bit 0 is set to 1, the input signal of the serial data input (RxD0) pin is selected as an external interrupt (INTP0) that can be used to detect a wakeup signal.

The ISC register can be set by a 1-bit or 8-bit memory manipulation instruction.

Reset signal generation clears the ISC register to 00H.

Figure 18-21. Format of Input Switch Control Register (ISC)

Address: F0073H After reset: 00H R/W

Symbol	7	6	5	4	3	2	1	0
ISC	0	0	0	0	0	0	0	ISC0

ISC0	Switching external interrupt (INTP0) input
0	Uses the input signal of the INTP0 pin as an external interrupt (normal operation).
1	Uses the input signal of the RxD0 pin as an external interrupt (wakeup signal detection).

Caution Be sure to clear bits 7 to 1 to “0”.

18.3.16 Noise filter enable register 0 (NFEN0)

The NFEN0 register is used to set whether the noise filter can be used for the input signal from the serial data input pin to each channel.

Disable the noise filter of the pin used for CSI or simplified I²C communication, by clearing the corresponding bit of this register to 0.

Enable the noise filter of the pin used for UART communication, by setting the corresponding bit of this register to 1.

When the noise filter is enabled, after synchronization is performed with the operation clock (f_{MCK}) of the target channel, 2-clock match detection is performed. When the noise filter is disabled, only synchronization is performed with the operation clock (f_{MCK}) of the target channel.

The NFEN0 register can be set by a 1-bit or 8-bit memory manipulation instruction.

Reset signal generation clears the NFEN0 register to 00H.

Figure 18-22. Format of Noise Filter Enable Register 0 (NFEN0)

Address: F0070H After reset: 00H R/W

Symbol	7	6	5	4	3	2	1	0
NFEN0	0	SNFEN30 ^{Note}	0	SNFEN20	0	SNFEN10	0	SNFEN00

SNFEN30	Use of noise filter of RxD3 pin
0	Noise filter OFF
1	Noise filter ON
Set SNFEN30 to 1 to use the RxD3 pin. Clear SNFEN30 to 0 to use the other than RxD3 pin.	

SNFEN20	Use of noise filter of RxD2 pin
0	Noise filter OFF
1	Noise filter ON
Set SNFEN20 to 1 to use the RxD2 pin. Clear SNFEN20 to 0 to use the other than RxD2 pin.	

SNFEN10	Use of noise filter of RxD1 pin
0	Noise filter OFF
1	Noise filter ON
Set the SNFEN10 bit to 1 to use the RxD1 pin. Clear the SNFEN10 bit to 0 to use the other than RxD1 pin.	

SNFEN00	Use of noise filter of RxD0 pin
0	Noise filter OFF
1	Noise filter ON
Set the SNFEN00 bit to 1 to use the RxD0 pin. Clear the SNFEN00 bit to 0 to use the other than RxD0 pin.	

<R> **Note** This bit is only effective for R5F10NPJ, R5F10NMJ, and R5F10NPG. When writing 1 to this bit for R5F10NMG, R5F10NLG, R5F10NME, and R5F10NLE, the value read is 0.

Caution Be sure to clear bits 7, 5, 3, and 1 to “0”.

18.3.17 Registers controlling port functions of serial input/output pins

When using the serial array unit set the registers that control the port functions multiplexed on the target channel (port mode register (PMxx), port register (Pxx), port input mode register (PIMxx), port output mode register (POMxx)).

For details, see **4.3.1 Port mode registers (PMxx)**, **4.3.2 Port registers (Pxx)**, **4.3.4 Port input mode registers (PIMxx)**, and **4.3.5 Port output mode registers (POMxx)**.

When using a port pin with a multiplexed serial data or serial clock output function (e.g. P07/SO00/TxD0/TI02/TO02/INTP2/TOOLTxD, P15/SEG9/(SCK00)/(SCL00)) for serial data or serial clock output, requires setting the corresponding bits in the port mode register (PMxx) to 0, and the corresponding bit in the port register (Pxx) to 1.

When using the port pin in N-ch open-drain output (V_{DD} tolerance) mode, set the corresponding bit in the port output mode register (POMxx) to 1. When connecting an external device operating on a different potential (1.8 V, 2.5 V or 3 V), see **4.4.4 Connecting to external device with different potential (1.8 V, 2.5 V, 3 V)**.

Example: When using P07/SO00/TxD0/TI02/TO02/INTP2/TOOLTxD for serial data output

Set the PM07 bit of the port mode register 0 to 0.

Set the P07 bit of the port register 0 to 1.

When using a port pin with a multiplexed serial data or serial clock input function (e.g. P05/SCK00/SCL00/TI04/TO04/INTP3, P06/SI00/RxD0/TI03/TO03/SDA00/TOOLRxD) for serial data or serial clock input, requires setting the corresponding bit in the port mode register (PMxx) to 1. In this case, the corresponding bit in the port register (Pxx) can be set to 0 or 1.

When the TTL input buffer is selected, set the corresponding bit in the port input mode register (PIMxx) to 1. When connecting an external device operating on a different potential (1.8 V, 2.5 V or 3 V), see **4.4.4 Connecting to external device with different potential (1.8 V, 2.5 V, 3 V)**.

Example: When using P06/SI00/RxD0/TI03/TO03/SDA00/TOOLRxD for serial data input

Set the PM06 bit of port mode register 0 to 1.

Set the P06 bit of port register 0 to 0 or 1.

The PMxx registers can be set by a 1-bit or 8-bit memory manipulation instruction.

Reset signal generation sets the PMxx registers to FFH.

See table 4-3 to see which PMxx registers are provided for each product.

18.3.18 Peripheral reset control register 0 (PRR0)

The PRR0 register is used to control resetting of the on-chip peripheral modules.
 Each bit in this register controls resetting and release of the reset state of the corresponding on-chip peripheral module.
 To reset the serial array unit (SAU0 and SAU1), be sure to set bits 2 and 3 (SAU0RES and SAU1RES) to 1.
 The PRR0 register can be set by a 1-bit or an 8-bit memory manipulation instruction.
 Reset signal generation clears the PRR0 register to 00H.

Figure 18-23. Format of Peripheral Reset Control Register 0 (PRR0)

Address: F00F1H After reset: 00H R/W

Symbol	7	<6>	<5>	<4>	<3>	<2>	1	<0>
PRR0	0	IRDARES	ADCRES	IICA0RES	SAU1RES	SAU0RES	0	TAU0RES
SAUnRES	Control resetting of the serial array unit (units 0 and1)							
0	Release of the reset state of the serial array unit (unit n)							
1	The serial array unit (unit n) is in the reset state.							

Remark n = 0, 1

18.4 Operation Stop Mode

Each serial interface of serial array unit has the operation stop mode.

In this mode, serial communication cannot be executed, thus reducing the power consumption.

In addition, the pin for serial interface can be used as port function pins in this mode.

18.4.1 Stopping the operation by units

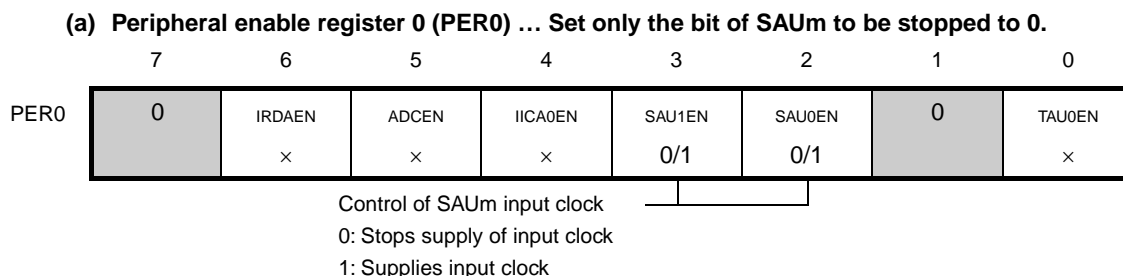
The stopping of the operation by units is set by using peripheral enable register 0 (PER0).

The PER0 register is used to enable or disable supplying the clock to the peripheral hardware. Clock supply to a hardware macro that is not used is stopped in order to reduce the power consumption and noise.

To stop the operation of serial array unit 0, set bit 2 (SAU0EN) to 0.

To stop the operation of serial array unit 1, set bit 3 (SAU1EN) to 0.

Figure 18-24. Peripheral Enable Register 0 (PER0) Setting When Stopping the Operation by Units



Cautions 1. If SAUmEN = 0, writing to a control register of serial array unit m is ignored, and, even if the register is read, only the default value is read

Note that this does not apply to the following registers.

- Input switch control register (ISC)
- Noise filter enable register 0 (NFEN0)
- Port input mode register (PIMx)
- Port output mode register (POMx)
- Port mode register (PMx)
- Port register (Px)

2. Be sure to clear bits 7 and 1 to 0.

Remark x: Bits not used with serial array units (depending on the settings of other peripheral functions)
0/1: Set to 0 or 1 depending on the usage of the user

18.4.2 Stopping the operation by channels

The stopping of the operation by channels is set using each of the following registers.

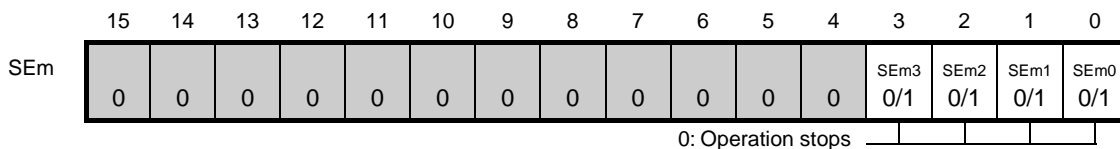
Figure 18-25. Each Register Setting When Stopping the Operation by Channels

(a) Serial channel stop register m (STm) ... This register is a trigger register that is used to enable stopping communication/count by each channel.



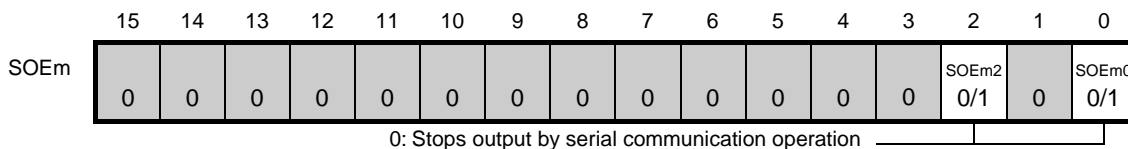
* Because the ST_mn bit is a trigger bit, it is cleared immediately when SE_mn = 0.

(b) Serial Channel Enable Status Register m (SEm) ... This register indicates whether data transmission/reception operation of each channel is enabled or stopped.



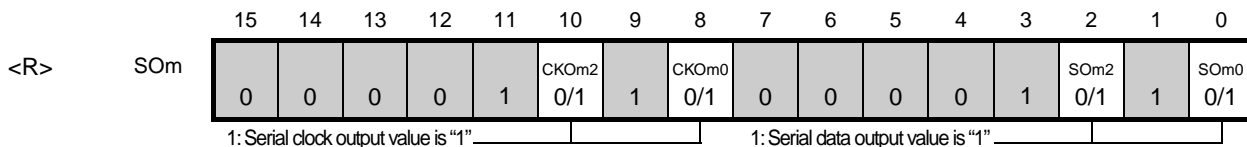
* The SEm register is a read-only status register, whose operation is stopped by using the STm register. With a channel whose operation is stopped, the value of the CKOm_n bit of the SOm register can be set by software.

(c) Serial output enable register m (SOEm) ... This register is a register that is used to enable or stop output of the serial communication operation of each channel.



* For channel n, whose serial output is stopped, the SOm_n bit value of the SOm register can be set by software.

(d) Serial output register m (SOm) ... This register is a buffer register for serial output of each channel.



* When using pins corresponding to each channel as port function pins, set the corresponding CKOm_n, SOm_n bits to "1".

- <R>
- Remarks 1.** m: Unit number (m = 0, 1), n: Channel number (n = 0 to 3)
 2. : Setting disabled (fixed by hardware), 0/1: Set to 0 or 1 depending on the usage of the user

18.5 Operation of 3-Wire Serial I/O (CSI00, CSI10, CSI30) Communication

This is a clocked communication function that uses three lines: serial clock (SCK) and serial data (SI and SO) lines.

[Data transmission/reception]

- Data length of 7 or 8 bits
- Phase control of transmit/receive data
- MSB/LSB first selectable

[Clock control]

- Master/slave selection
- Phase control of I/O clock
- Setting of transfer period by prescaler and internal counter of each channel
- Maximum transfer rate^{Note}

During master communication: Max. $f_{MCK}/2$

During slave communication: Max. $f_{MCK}/6$

[Interrupt function]

- Transfer end interrupt/buffer empty interrupt

[Error detection flag]

- Overrun error

In addition, CSI00 supports the SNOOZE mode. When SCK input is detected while in the STOP mode, the SNOOZE mode makes data reception that does not require the CPU possible. CSI00 supports the asynchronous reception.

Note Use the clocks within a range satisfying the SCK cycle time (t_{CKCY}) characteristics. For details, see **CHAPTER 41 ELECTRICAL SPECIFICATIONS**.

The channel supporting 3-wire serial I/O (CSI00) is channel 0 of SAU0.

The channel supporting 3-wire serial I/O (CSI10) is channel 2 of SAU0.

The channel supporting 3-wire serial I/O (CSI30) is channel 2 of SAU1.

Unit	Channel	Used as CSI	Used as UART	Used as Simplified I ² C
0	0	CSI00	UART0 (supporting LIN-bus)	IIC00
	1	–		–
	2	CSI10	UART1	IIC10
	3	–		–
1	0	–	UART2 (supporting IrDA)	–
	1	–		–
	2	CSI30 ^{Note}	UART3 ^{Note}	IIC30 ^{Note}
	3	–		–

Note 100-pin products only

3-wire serial I/O (CSI00, CSI10, CSI30) performs the following seven types of communication operations.

- Master transmission (See 18.5.1.)
- Master reception (See 18.5.2.)
- Master transmission/reception (See 18.5.3.)
- Slave transmission (See 18.5.4.)
- Slave reception (See 18.5.5.)
- Slave transmission/reception (See 18.5.6.)
- SNOOZE mode function (CSI00 only) (See 18.5.7.)

18.5.1 Master transmission

Master transmission is that the RL78 microcontroller outputs a transfer clock and transmits data to another device.

3-Wire Serial I/O	CSI00	CSI10	CSI30
Target channel	Channel 0 of SAU0	Channel 2 of SAU0	Channel 2 of SAU1
Pins used	SCK00, SO00	SCK10, SO10	SCK30, SO30
Interrupt	INTCSI00	INTCSI10	INTCSI30
	Transfer end interrupt (in single-transfer mode) or buffer empty interrupt (in continuous transfer mode) can be selected.		
Error detection flag	None		
Transfer data length	7 or 8 bits		
Transfer rate ^{Note}	Max. $f_{CLK}/2$ [Hz] Min. $f_{CLK}/(2 \times 2^{15} \times 128)$ [Hz] f_{CLK} : System clock frequency		
Data phase	Selectable by the DAPmn bit of the SCRmn register <ul style="list-style-type: none"> • DAPmn = 0: Data output starts from the start of the operation of the serial clock. • DAPmn = 1: Data output starts half a clock before the start of the serial clock operation. 		
Clock phase	Selectable by the CKPmn bit of the SCRmn register <ul style="list-style-type: none"> • CKPmn = 0: Non-reverse (data output at the falling edge and data input at the rising edge of SCK) • CKPmn = 1: Reverse (data output at the rising edge and data input at the falling edge of SCK) 		
Data direction	MSB or LSB first		

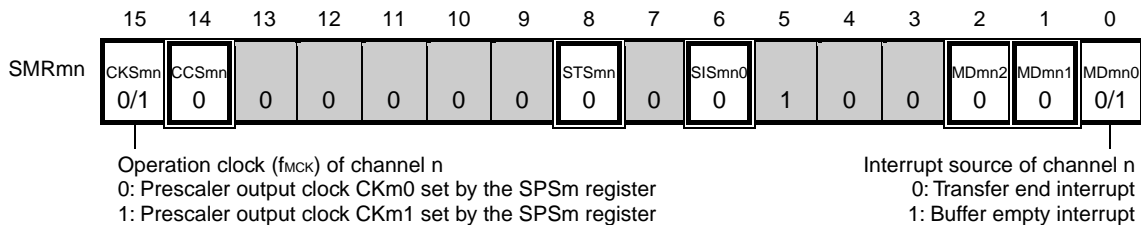
Note Use this operation within a range that satisfies the conditions above and the peripheral functions characteristics in the electrical specifications (see **CHAPTER 41 ELECTRICAL SPECIFICATIONS**).

Remark m: Unit number (m = 0, 1), n: Channel number (n = 0, 2), mn = 00, 02, 12

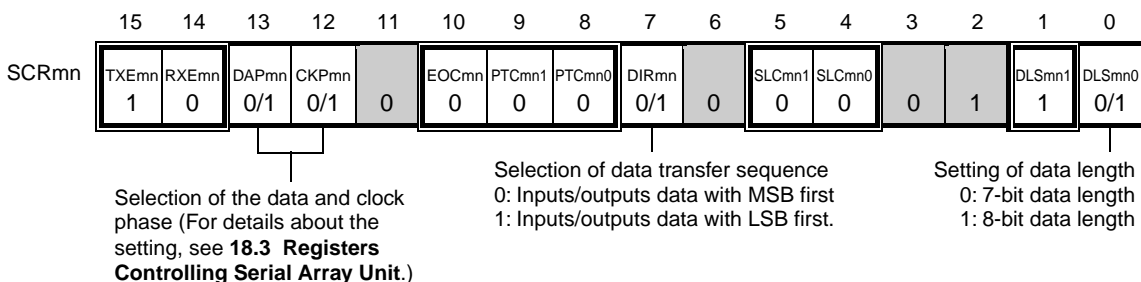
(1) Register setting

Figure 18-26. Example of Contents of Registers for Master Transmission of 3-Wire Serial I/O (CSI00, CSI10, CSI30) (1/2)

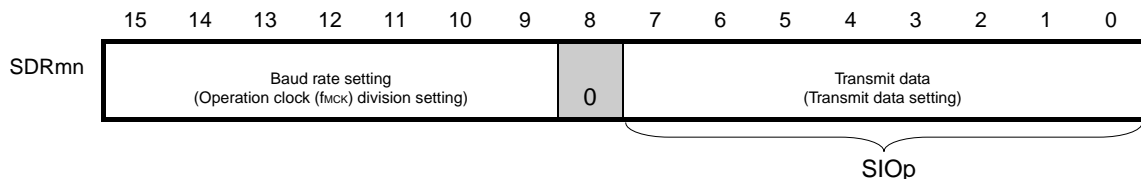
(a) Serial mode register mn (SMRmn)



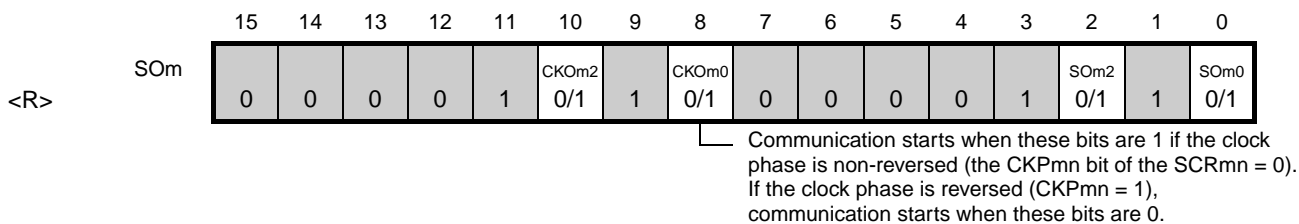
(b) Serial communication operation setting register mn (SCRmn)



(c) Serial data register mn (SDRmn) (lower 8 bits: SIOp)



(d) Serial output register m (SOM) ... Sets only the bits of the target channel.



- Remarks**
- m: Unit number (m = 0, 1), n: Channel number (n = 0, 2), p: CSI number (p = 00, 10, 30), mn = 00, 02, 12
 - : Setting is fixed in the CSI master transmission mode, : Setting disabled (set to the initial value)
0/1: Set to 0 or 1 depending on the usage of the user

Figure 18-26. Example of Contents of Registers for Master Transmission of 3-Wire Serial I/O (CSI00) (2/2)

(e) Serial output enable register m (SOEm) ... Sets only the bits of the target channel to 1.

	15	14	13	12	11	10	9	8	7	6	5	4	3	2	1	0
<R> SOEm	0	0	0	0	0	0	0	0	0	0	0	0	0	SOEm2 0/1	0	SOEm0 0/1

(f) Serial channel start register m (SSm) ... Sets only the bits of the target channel to 1.

	15	14	13	12	11	10	9	8	7	6	5	4	3	2	1	0
<R> SSm	0	0	0	0	0	0	0	0	0	0	0	0	SSm3 ×	SSm2 0/1	SSm1 ×	SSm0 0/1

- Remarks**
1. m: Unit number (m = 0, 1), n: Channel number (n = 0, 2), p: CSI number (p = 00, 10, 30), mn = 00, 02, 12
 2. : Setting disabled (set to the initial value)
 ×: Bit that cannot be used in this mode (set to the initial value when not used in any mode)
 0/1: Set to 0 or 1 depending on the usage of the user

(2) Operation procedure

Figure 18-27. Initial Setting Procedure for Master Transmission

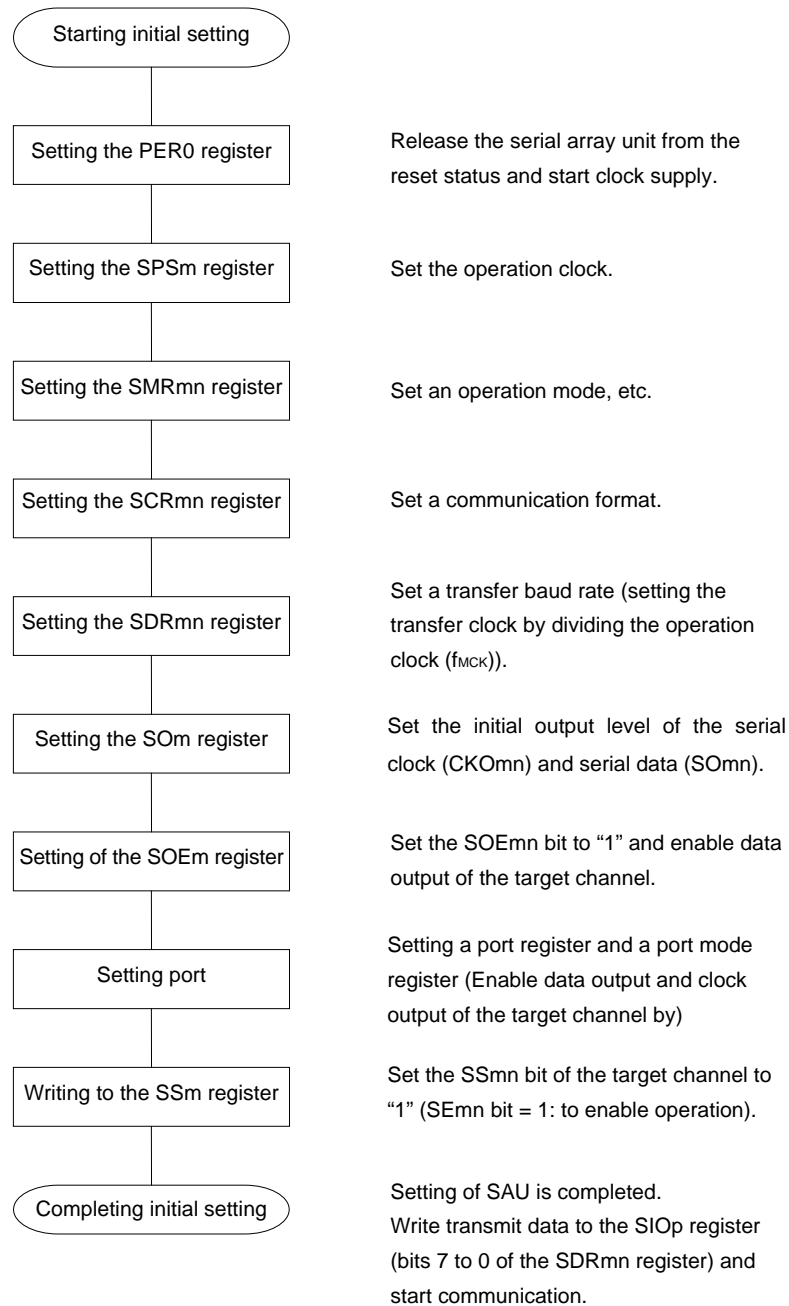


Figure 18-28. Procedure for Stopping Master Transmission

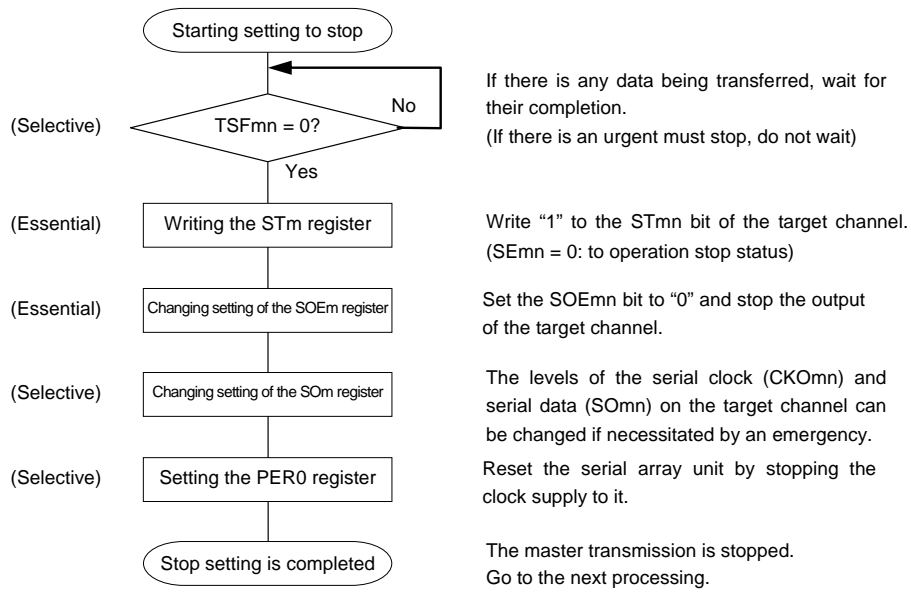
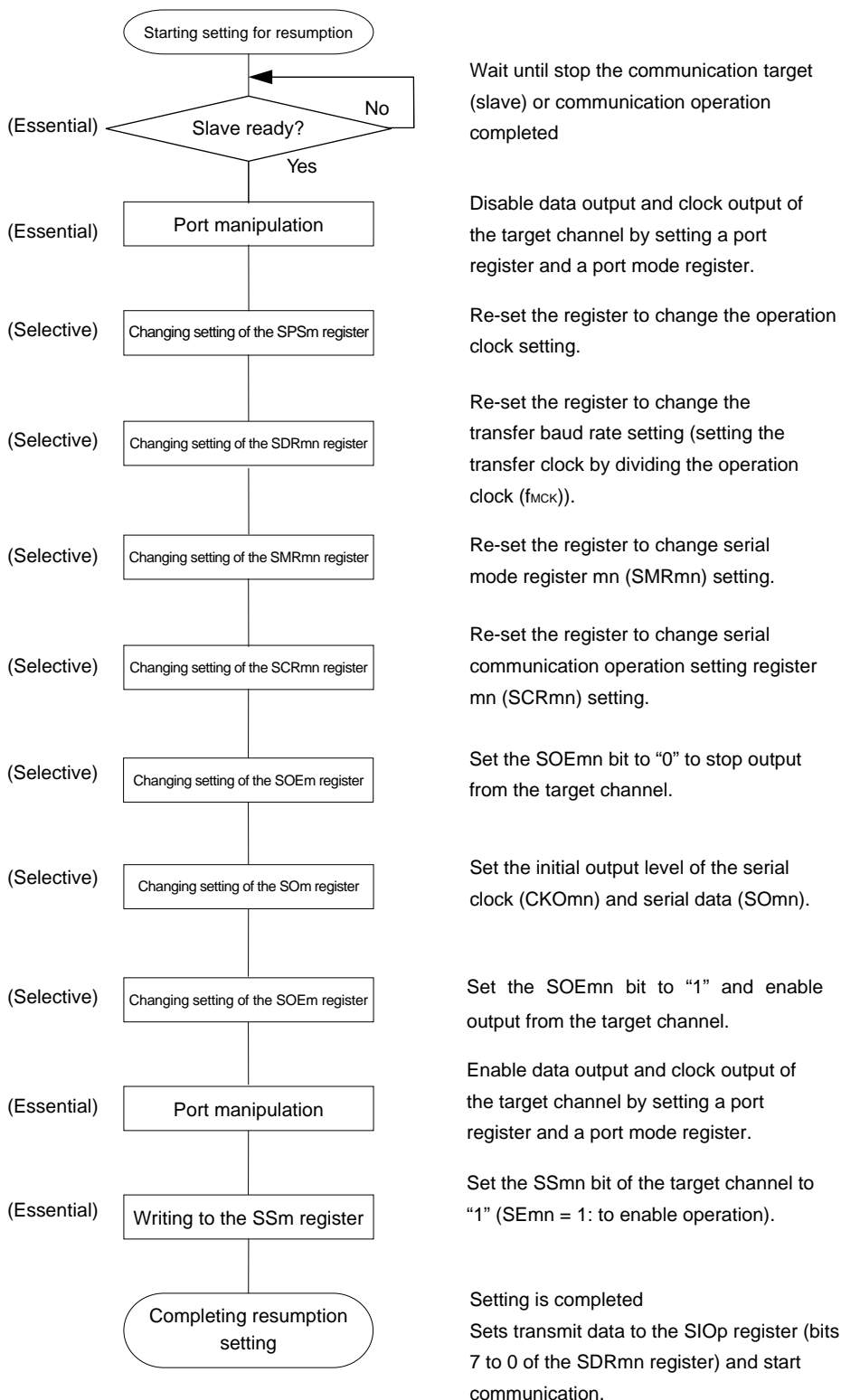


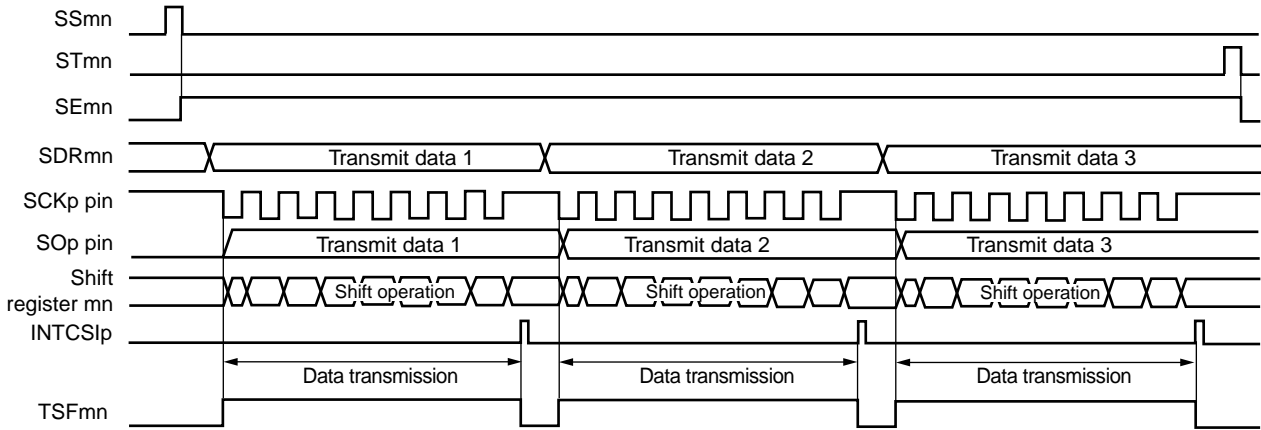
Figure 18-29. Procedure for Resuming Master Transmission



Remark If PER0 is rewritten while stopping the master transmission and the clock supply is stopped, wait until the transmission target (slave) stops or transmission finishes, and then perform initialization instead of restarting the transmission.

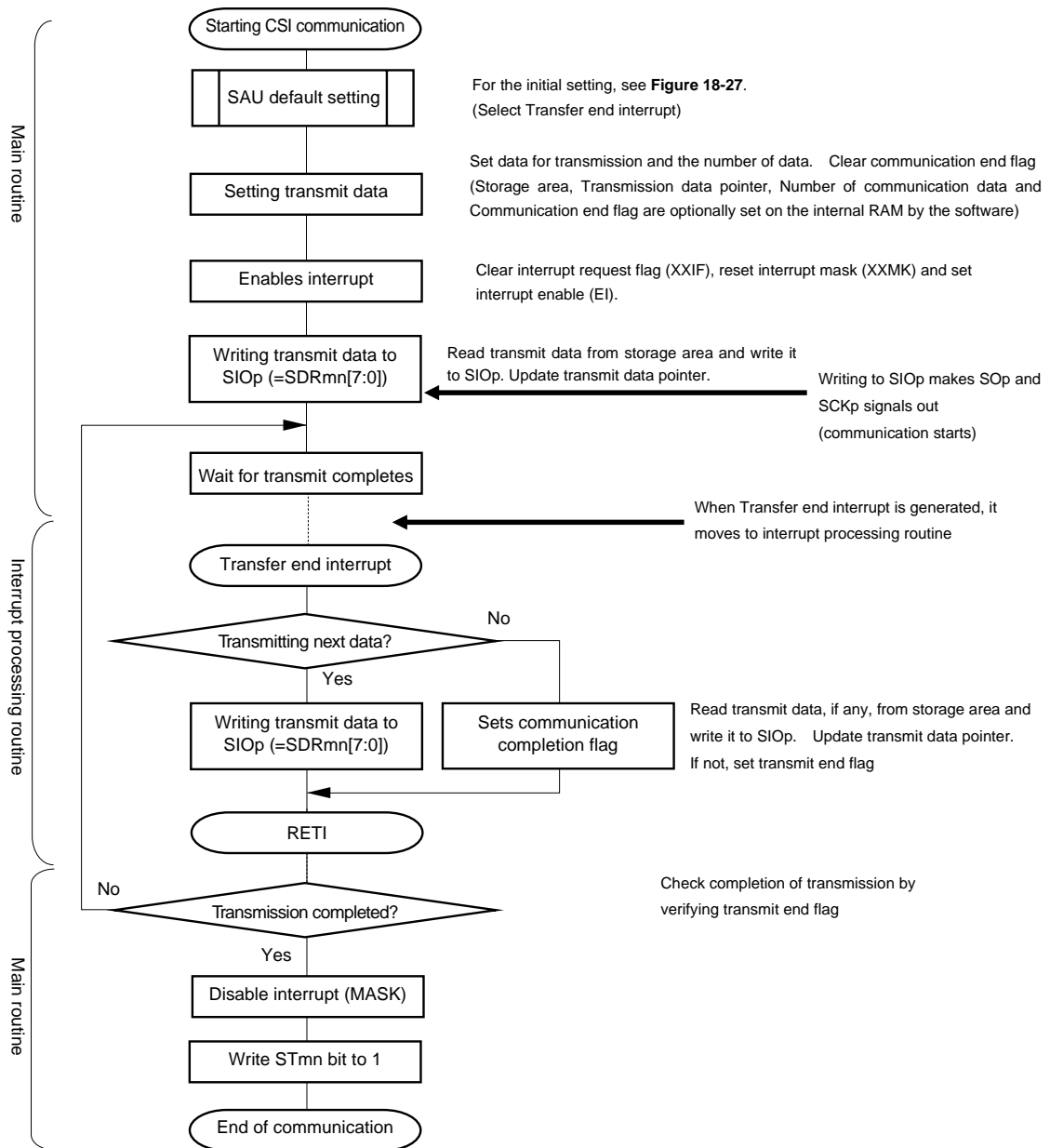
(3) Processing flow (in single-transmission mode)

Figure 18-30. Timing Chart of Master Transmission (in Single-Transmission Mode)
 (Type 1: DAPmn = 0, CKPmn = 0)



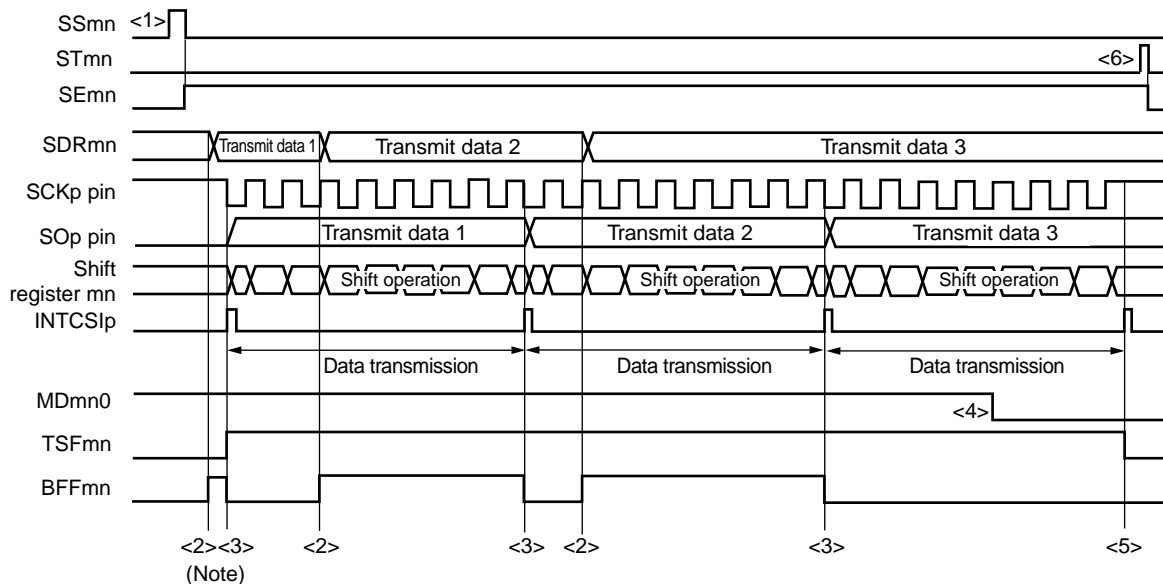
Remark m: Unit number (m = 0, 1), n: Channel number (n = 0, 2), p: CSI number (p = 00, 10, 30), mn = 00, 02, 12

Figure 18-31. Flowchart of Master Transmission (in Single-Transmission Mode)



(4) Processing flow (in continuous transmission mode)

Figure 18-32. Timing Chart of Master Transmission (in Continuous Transmission Mode)
(Type 1: DAPmn = 0, CKPmn = 0)

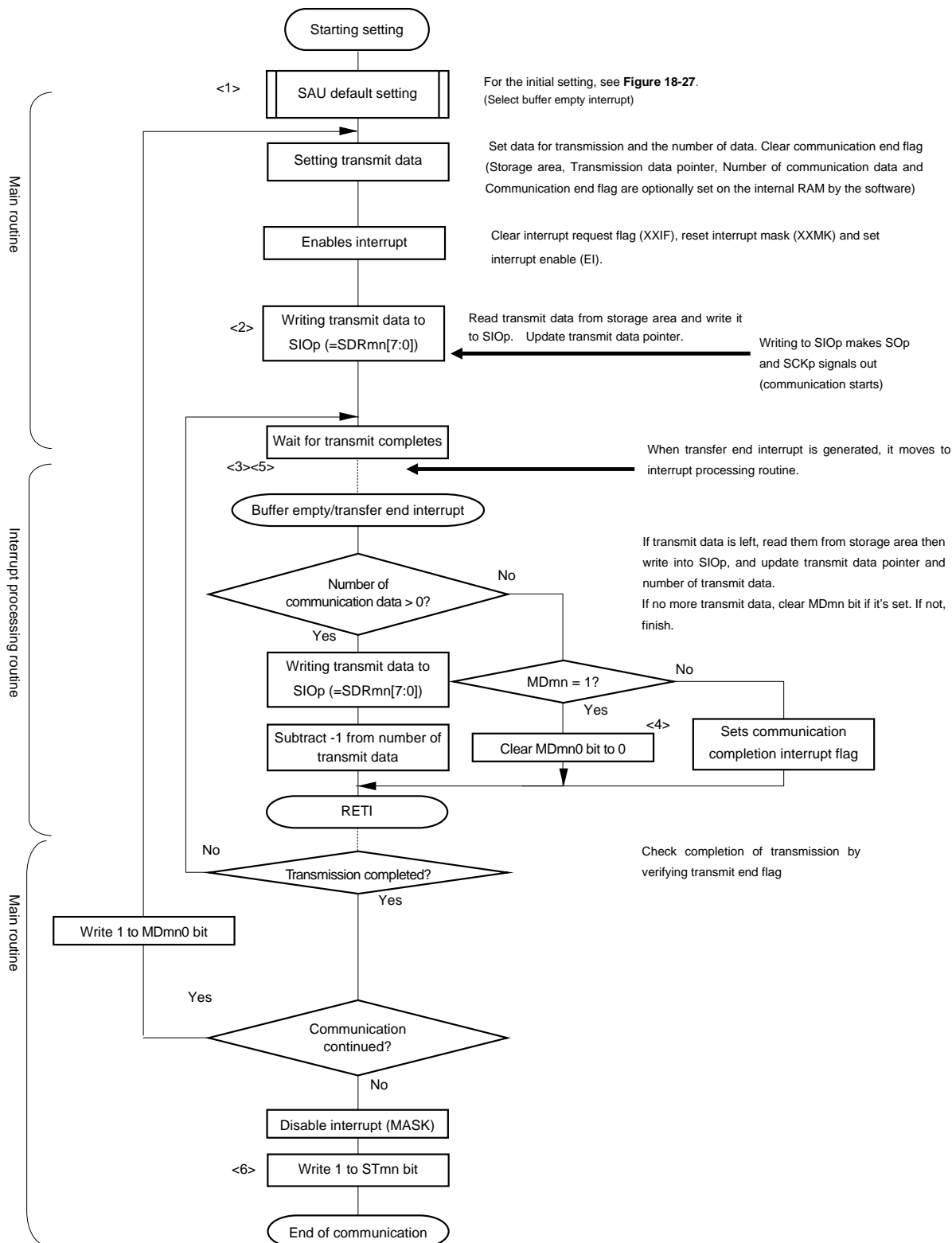


Note If transmit data is written to the SDRmn register while the BFFmn bit of serial status register mn (SSRmn) is 1 (valid data is stored in serial data register mn (SDRmn)), the transmit data is overwritten.

Caution The MDmn0 bit of serial mode register mn (SMRmn) can be rewritten even during operation. However, rewrite it before transfer of the last bit is started, so that it will be rewritten before the transfer end interrupt of the last transmit data.

Remark m: Unit number (m = 0, 1), n: Channel number (n = 0, 2), p: CSI number (p = 00, 10, 30), mn = 00, 02, 12

Figure 18-33. Flowchart of Master Transmission (in Continuous Transmission Mode)



Remark <1> to <6> in the figure correspond to <1> to <6> in Figure 18-32 Timing Chart of Master Transmission (in Continuous Transmission Mode).

18.5.2 Master reception

Master reception is that the RL78 microcontroller outputs a transfer clock and receives data from other device.

3-Wire Serial I/O	CSI00	CSI10	CSI30
Target channel	Channel 0 of SAU0	Channel 2 of SAU0	Channel 2 of SAU1
Pins used	SCK00, SI00	SCK10, SI10	SCK30, SI30
Interrupt	INTCSI00	INTCSI10	INTCSI30
	Transfer end interrupt (in single-transfer mode) or buffer empty interrupt (in continuous transfer mode) can be selected.		
Error detection flag	Overflow error detection flag (OVFmn) only		
Transfer data length	7 or 8 bits		
Transfer rate ^{Note}	Max. $f_{CLK}/2$ [Hz] Min. $f_{CLK}/(2 \times 2^{15} \times 128)$ [Hz] f_{CLK} : System clock frequency		
Data phase	Selectable by the DAPmn bit of the SCRmn register <ul style="list-style-type: none"> • DAPmn = 0: Data input starts from the start of the operation of the serial clock. • DAPmn = 1: Data input starts half a clock before the start of the serial clock operation. 		
Clock phase	Selectable by the CKPmn bit of the SCRmn register <ul style="list-style-type: none"> • CKPmn = 0: Non-reverse • CKPmn = 1: Reverse 		
Data direction	MSB or LSB first		

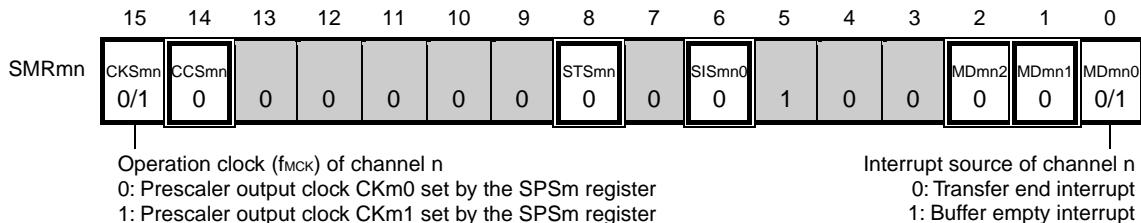
Note Use this operation within a range that satisfies the conditions above and the peripheral functions characteristics in the electrical specifications (see **CHAPTER 41 ELECTRICAL SPECIFICATIONS**).

Remark m: Unit number (m = 0, 1), n: Channel number (n = 0, 2), mn = 00, 02, 12

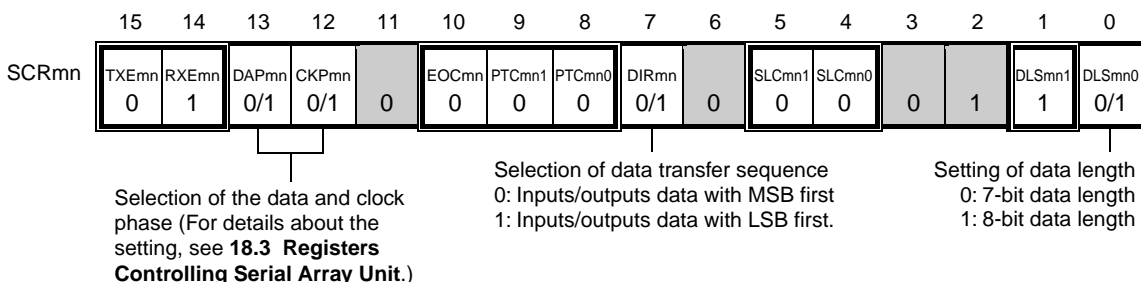
(1) Register setting

Figure 18-34. Example of Contents of Registers for Master Reception of 3-Wire Serial I/O (CSI00, CSI10, CSI30) (1/2)

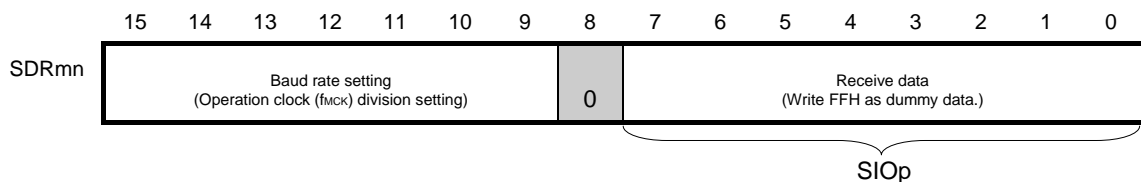
(a) Serial mode register mn (SMRmn)



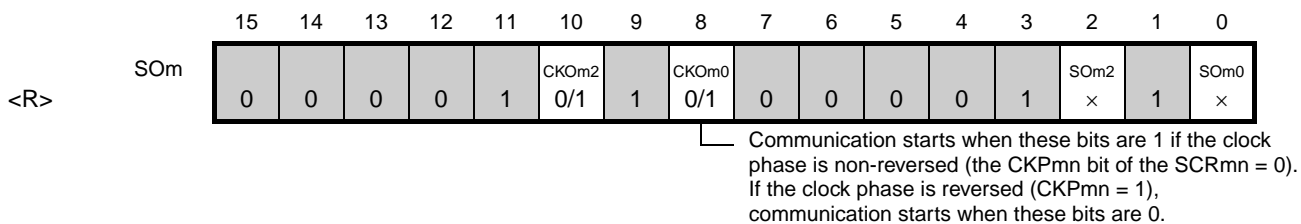
(b) Serial communication operation setting register mn (SCRmn)



(c) Serial data register mn (SDRmn) (lower 8 bits: SIOp)



(d) Serial output register m (SOM) ... Sets only the bits of the target channel.



Remarks 1. m: Unit number (m = 0, 1), n: Channel number (n = 0, 2), p: CSI number (p = 00, 10, 30), mn = 00, 02, 12

2. □: Setting is fixed in the CSI master reception mode, ■: Setting disabled (set to the initial value)

×: Bit that cannot be used in this mode (set to the initial value when not used in any mode)

0/1: Set to 0 or 1 depending on the usage of the user

Figure 18-34. Example of Contents of Registers for Master Reception of 3-Wire Serial I/O (CSI00) (2/2)

(e) Serial output enable register m (SOEm) ...The register that not used in this mode.

	15	14	13	12	11	10	9	8	7	6	5	4	3	2	1	0
SOEm	0	0	0	0	0	0	0	0	0	0	0	0	0	SOEm2 ×	0	SOEm0 ×

(f) Serial channel start register m (SSm) ... Sets only the bits of the target channel to 1.

	15	14	13	12	11	10	9	8	7	6	5	4	3	2	1	0
<R> SSm	0	0	0	0	0	0	0	0	0	0	0	0	SSm3 ×	SSm2 0/1	SSm1 ×	SSm0 0/1

- Remarks**
1. m: Unit number (m = 0, 1), n: Channel number (n = 0, 2), p: CSI number (p = 00, 10, 30), mn = 00, 02, 12
 2. : Setting disabled (set to the initial value)
 ×: Bit that cannot be used in this mode (set to the initial value when not used in any mode)
 0/1: Set to 0 or 1 depending on the usage of the user

(2) Operation procedure

Figure 18-35. Initial Setting Procedure for Master Reception

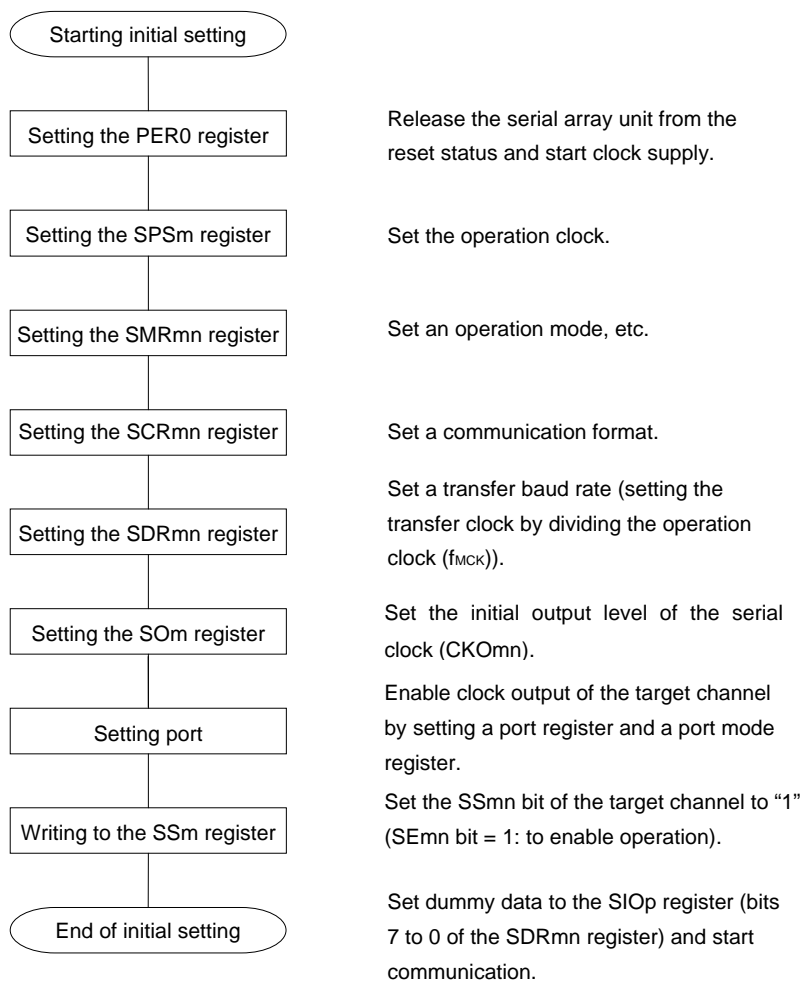


Figure 18-36. Procedure for Stopping Master Reception

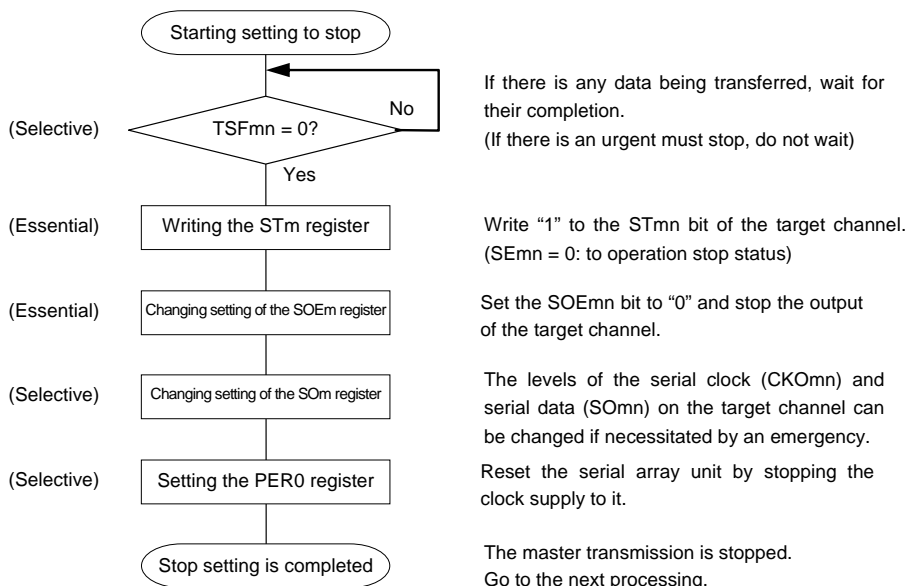
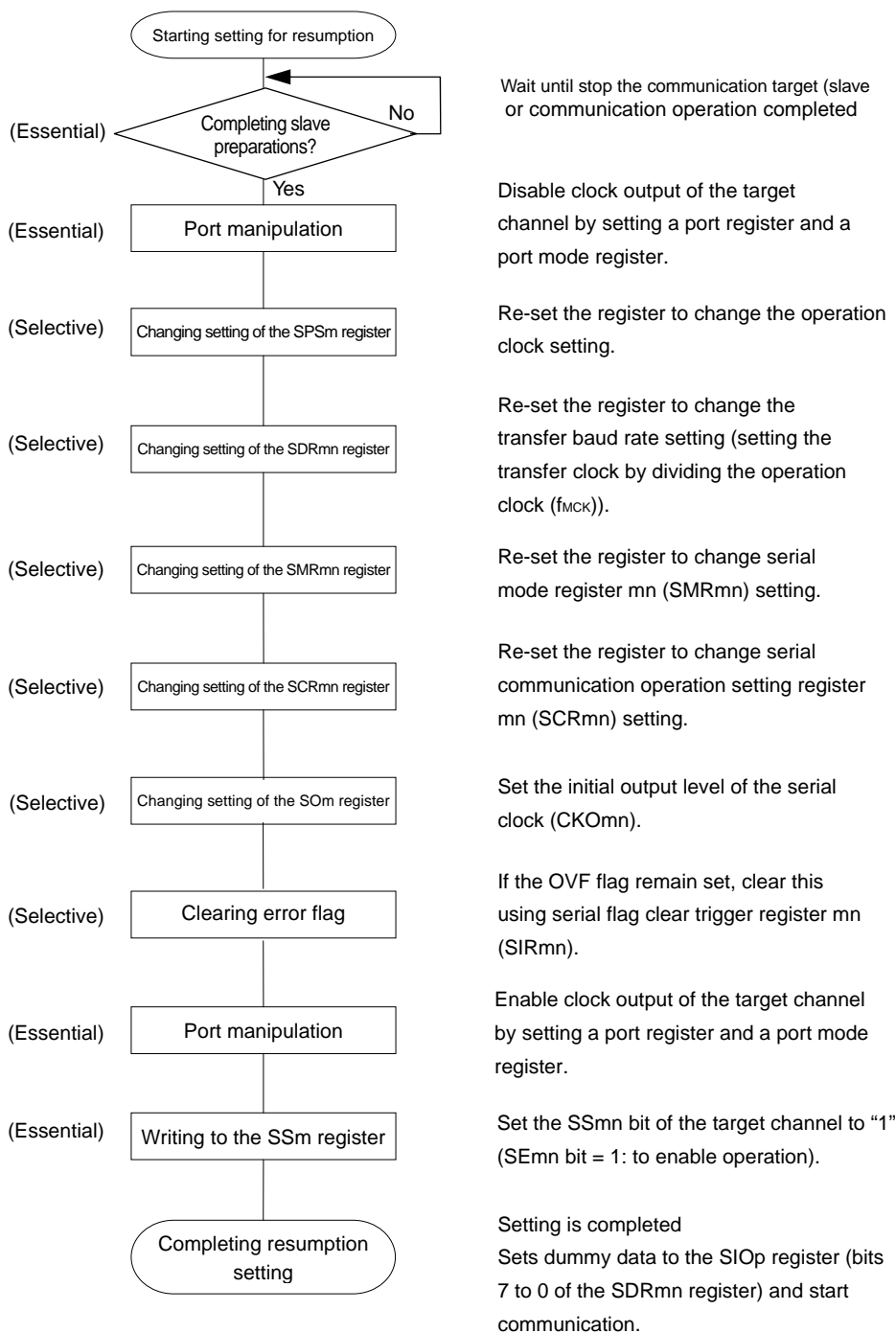


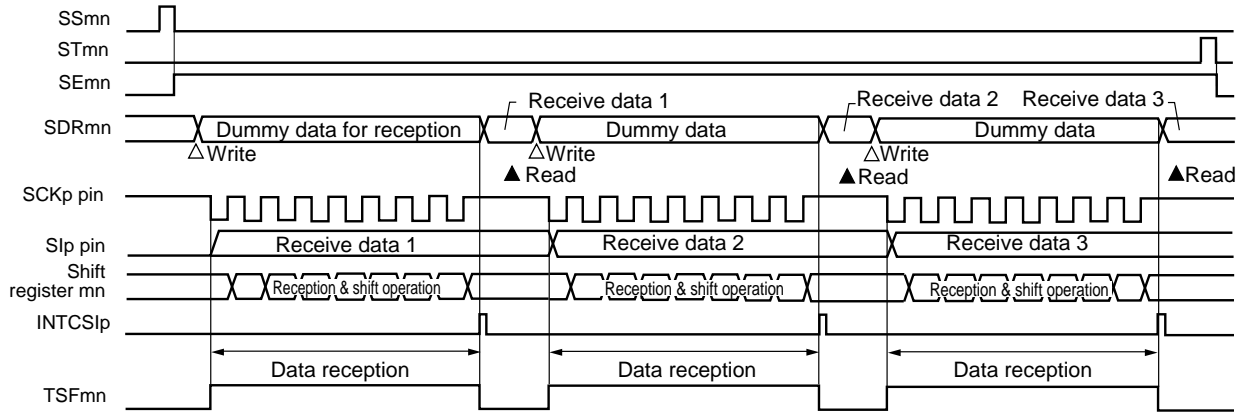
Figure 18-37. Procedure for Resuming Master Reception



Remark If PER0 is rewritten while stopping the master transmission and the clock supply is stopped, wait until the transmission target (slave) stops or transmission finishes, and then perform initialization instead of restarting the transmission.

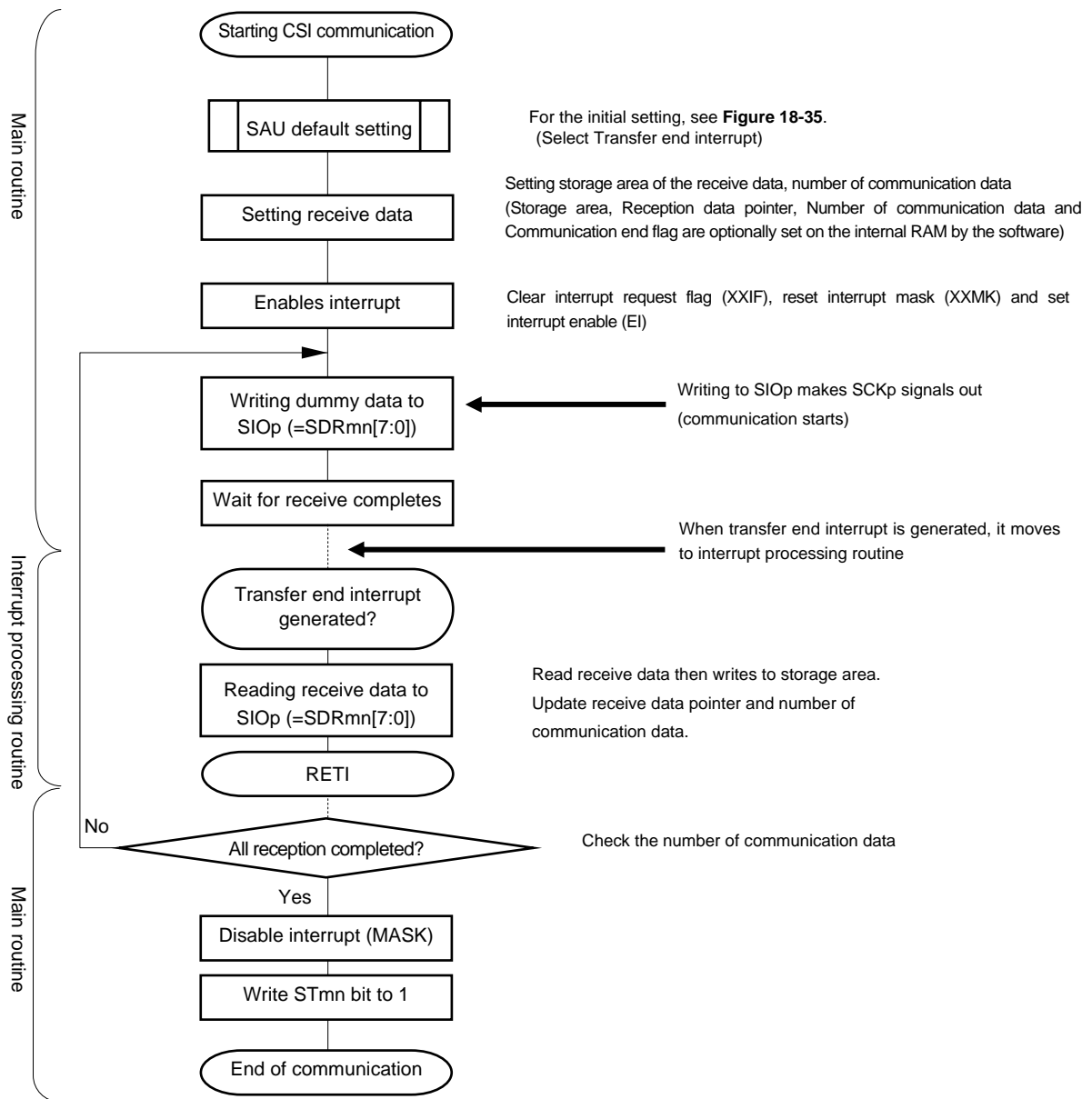
(3) Processing flow (in single-reception mode)

Figure 18-38. Timing Chart of Master Reception (in Single-reception Mode)
(Type 1: DAPmn = 0, CKPmn = 0)



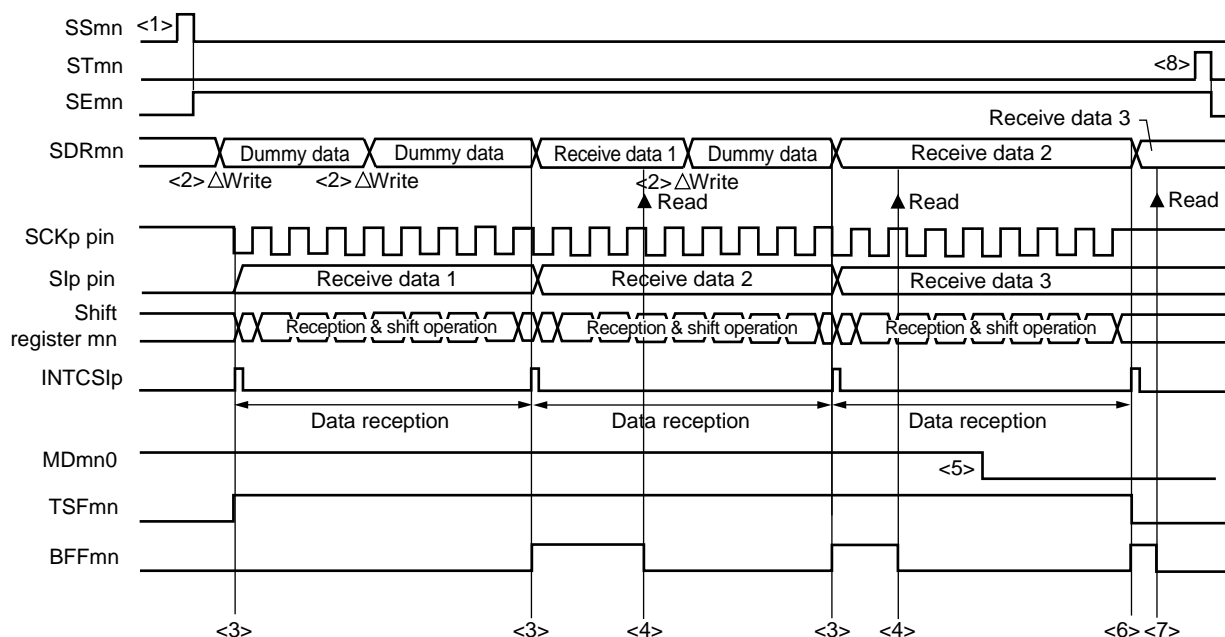
Remark m: Unit number (m = 0, 1), n: Channel number (n = 0, 2), p: CSI number (p = 00, 10, 30), mn = 00, 02, 12

Figure 18-39. Flowchart of Master Reception (in Single-reception Mode)



(4) Processing flow (in continuous reception mode)

Figure 18-40. Timing Chart of Master Reception (in Continuous Reception Mode) (Type 1: DAPmn = 0, CKPmn = 0)

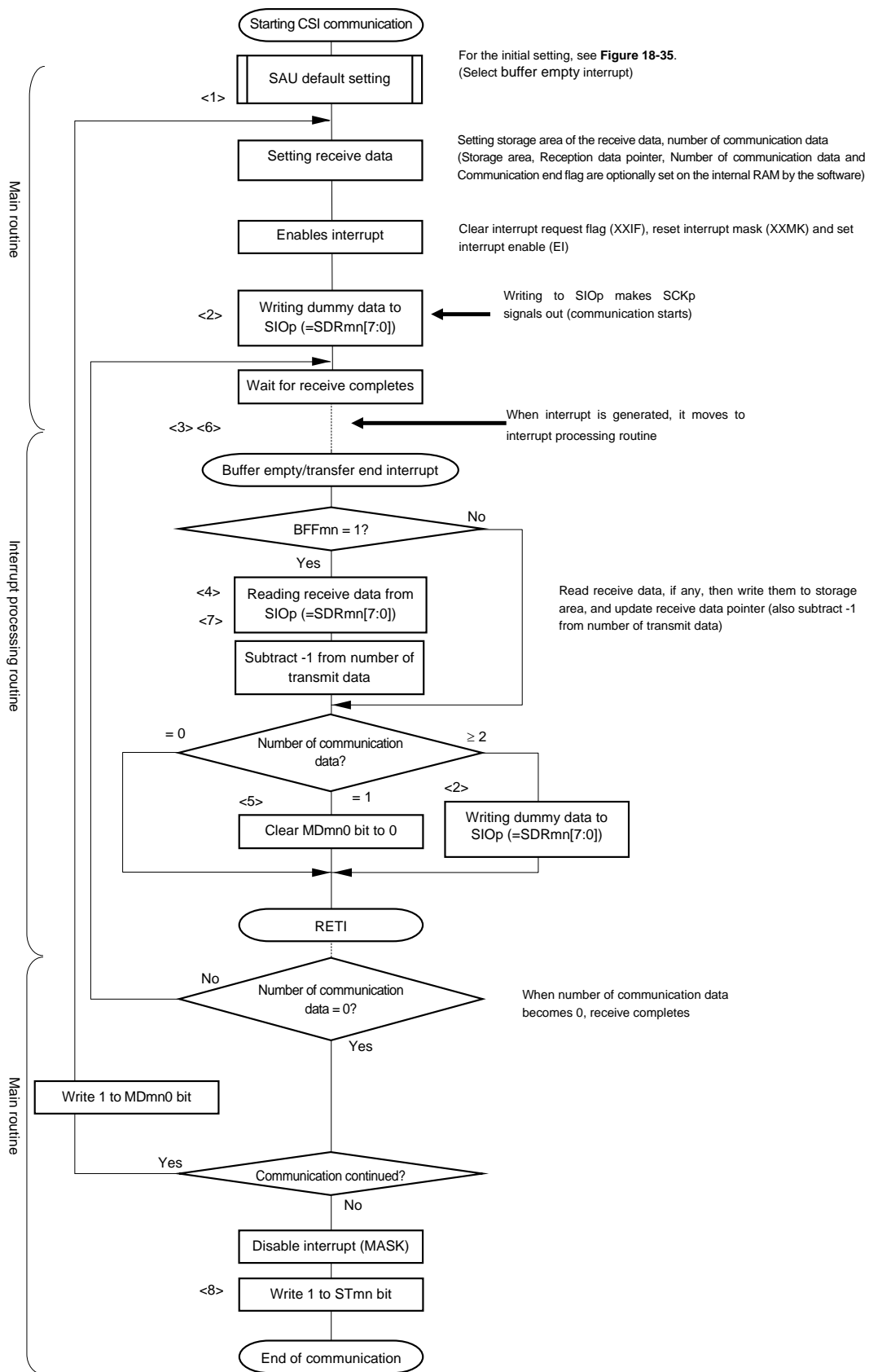


Caution The MDmn0 bit can be rewritten even during operation. However, rewrite it before receive of the last bit is started, so that it has been rewritten before the transfer end interrupt of the last receive data.

Remarks 1. <1> to <8> in the figure correspond to <1> to <8> in **Figure 18-41 Flowchart of Master Reception (in Continuous Reception Mode)**.

2. m: Unit number (m = 0, 1), n: Channel number (n = 0, 2), p: CSI number (p = 00, 10, 30), mn = 00, 02, 12

Figure 18-41. Flowchart of Master Reception (in Continuous Reception Mode)



Remark <1> to <8> in the figure correspond to <1> to <8> in Figure 18-40 Timing Chart of Master Reception (in Continuous Reception Mode).

18.5.3 Master transmission/reception

Master transmission/reception is that the RL78 microcontroller outputs a transfer clock and transmits/receives data to/from other device.

3-Wire Serial I/O	CSI00	CSI10	CSI30
Target channel	Channel 0 of SAU0	Channel 2 of SAU0	Channel 2 of SAU1
Pins used	SCK00, SI00, SO00	SCK10, SI10, SO10	SCK30, SI30, SO30
Interrupt	INTCSI00	INTCSI10	INTCSI30
	Transfer end interrupt (in single-transfer mode) or buffer empty interrupt (in continuous transfer mode) can be selected.		
Error detection flag	Overrun error detection flag (OVFmn) only		
Transfer data length	7 or 8 bits		
Transfer rate ^{Note}	Max. $f_{CLK}/2$ [Hz] Min. $f_{CLK}/(2 \times 2^{15} \times 128)$ [Hz] f_{CLK} : System clock frequency		
Data phase	Selectable by the DAPmn bit of the SCRmn register <ul style="list-style-type: none"> • DAPmn = 0: Data I/O starts at the start of the operation of the serial clock. • DAPmn = 1: Data I/O starts half a clock before the start of the serial clock operation. 		
Clock phase	Selectable by the CKPmn bit of the SCRmn register <ul style="list-style-type: none"> • CKPmn = 0: Non-reverse • CKPmn = 1: Reverse 		
Data direction	MSB or LSB first		

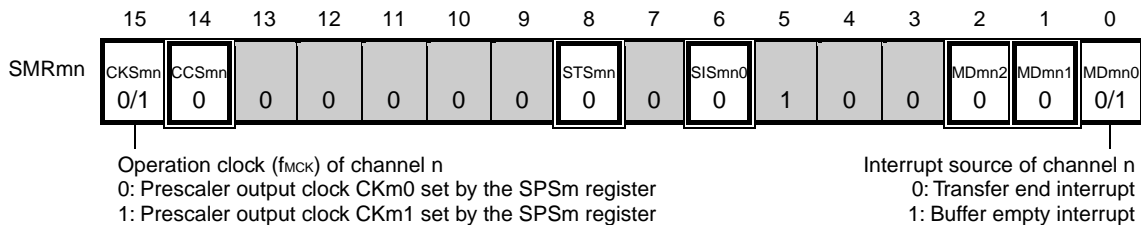
Note Use this operation within a range that satisfies the conditions above and the peripheral functions characteristics in the electrical specifications (see **CHAPTER 41 ELECTRICAL SPECIFICATIONS**).

Remark m: Unit number (m = 0, 1), n: Channel number (n = 0, 2), mn = 00, 02, 12

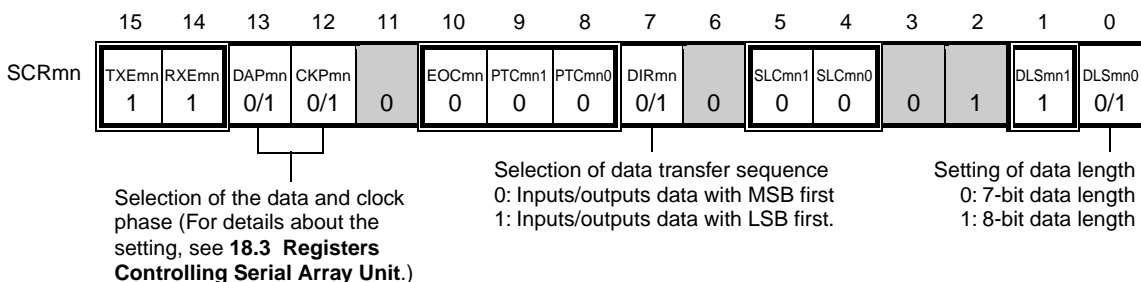
(1) Register setting

Figure 18-42. Example of Contents of Registers for Master Transmission/Reception of 3-Wire Serial I/O (CSI00, CSI10, CSI30) (1/2)

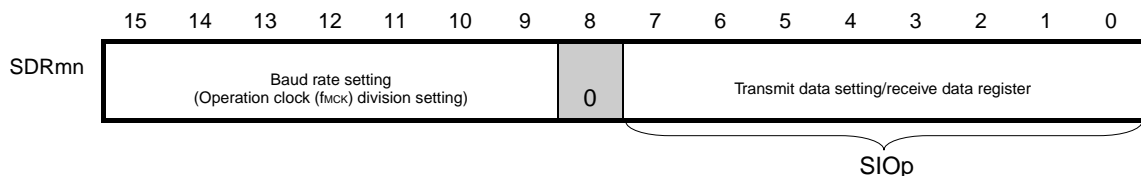
(a) Serial mode register mn (SMRmn)



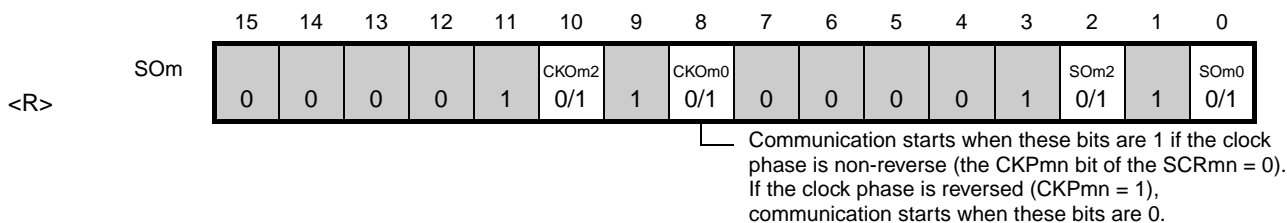
(b) Serial communication operation setting register mn (SCRmn)



(c) Serial data register mn (SDRmn) (lower 8 bits: SIOp)



(d) Serial output register m (SOM) ... Sets only the bits of the target channel.



- Remarks**
- m: Unit number (m = 0, 1), n: Channel number (n = 0, 2), p: CSI number (p = 00, 10, 30), mn = 00, 02, 12
 - | | |
|-----|---|
| | : Setting is fixed in the CSI master transmission/reception mode |
| | : Setting disabled (set to the initial value) |
| × | : Bit that cannot be used in this mode (set to the initial value when not used in any mode) |
| 0/1 | : Set to 0 or 1 depending on the usage of the user |

Figure 18-42. Example of Contents of Registers for Master Transmission/Reception of 3-Wire Serial I/O (CSI00, CSI10, CSI30) (2/2)

(e) Serial output enable register m (SOEm) ... Sets only the bits of the target channel to 1.

	15	14	13	12	11	10	9	8	7	6	5	4	3	2	1	0
<R> SOEm	0	0	0	0	0	0	0	0	0	0	0	0	0	SOEm2 0/1	0	SOEm0 0/1

(f) Serial channel start register m (SSm) ... Sets only the bits of the target channel to 1.

	15	14	13	12	11	10	9	8	7	6	5	4	3	2	1	0
<R> SSm	0	0	0	0	0	0	0	0	0	0	0	0	SSm3 ×	SSm2 0/1	SSm1 ×	SSm0 0/1

Remarks 1. m: Unit number (m = 0, 1), n: Channel number (n = 0, 2), p: CSI number (p = 00, 10, 30), mn = 00, 02, 12

- 2. : Setting disabled (set to the initial value)
- ×: Bit that cannot be used in this mode (set to the initial value when not used in any mode)
- 0/1: Set to 0 or 1 depending on the usage of the user

(2) Operation procedure

Figure 18-43. Initial Setting Procedure for Master Transmission/Reception

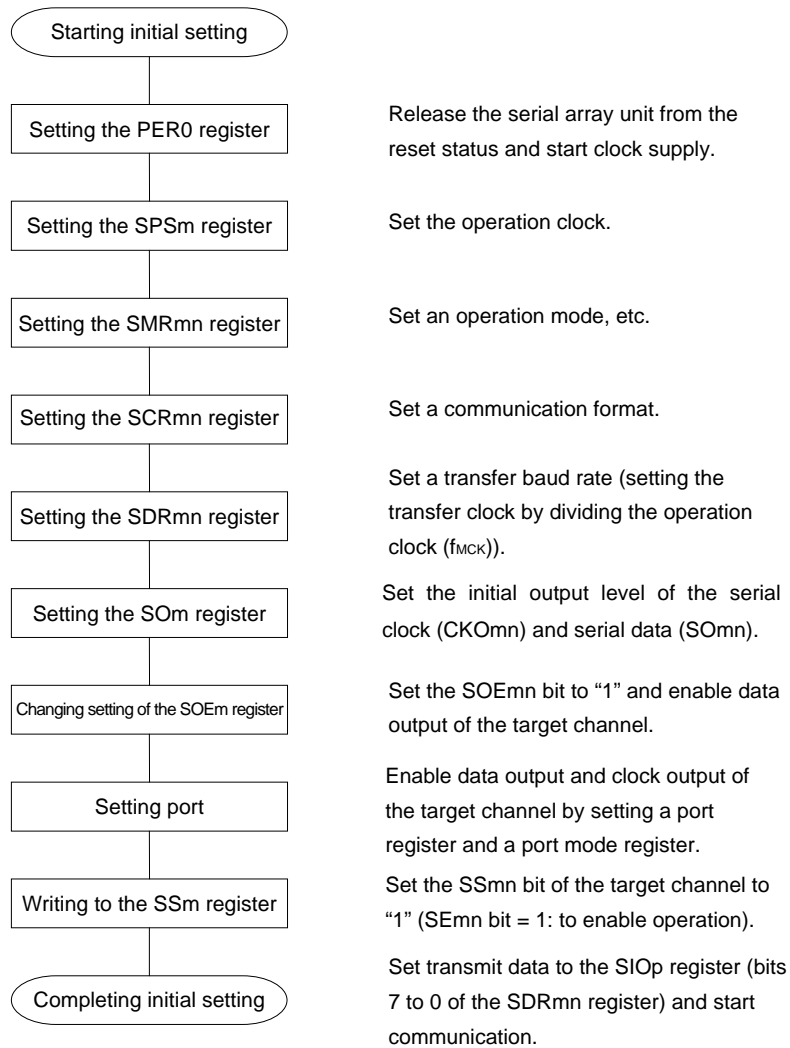


Figure 18-44. Procedure for Stopping Master Transmission/Reception

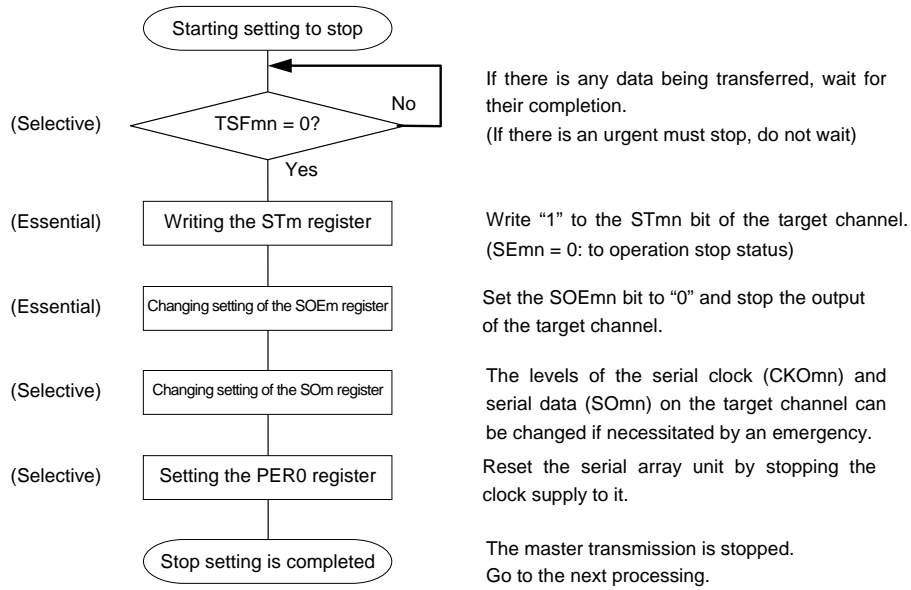
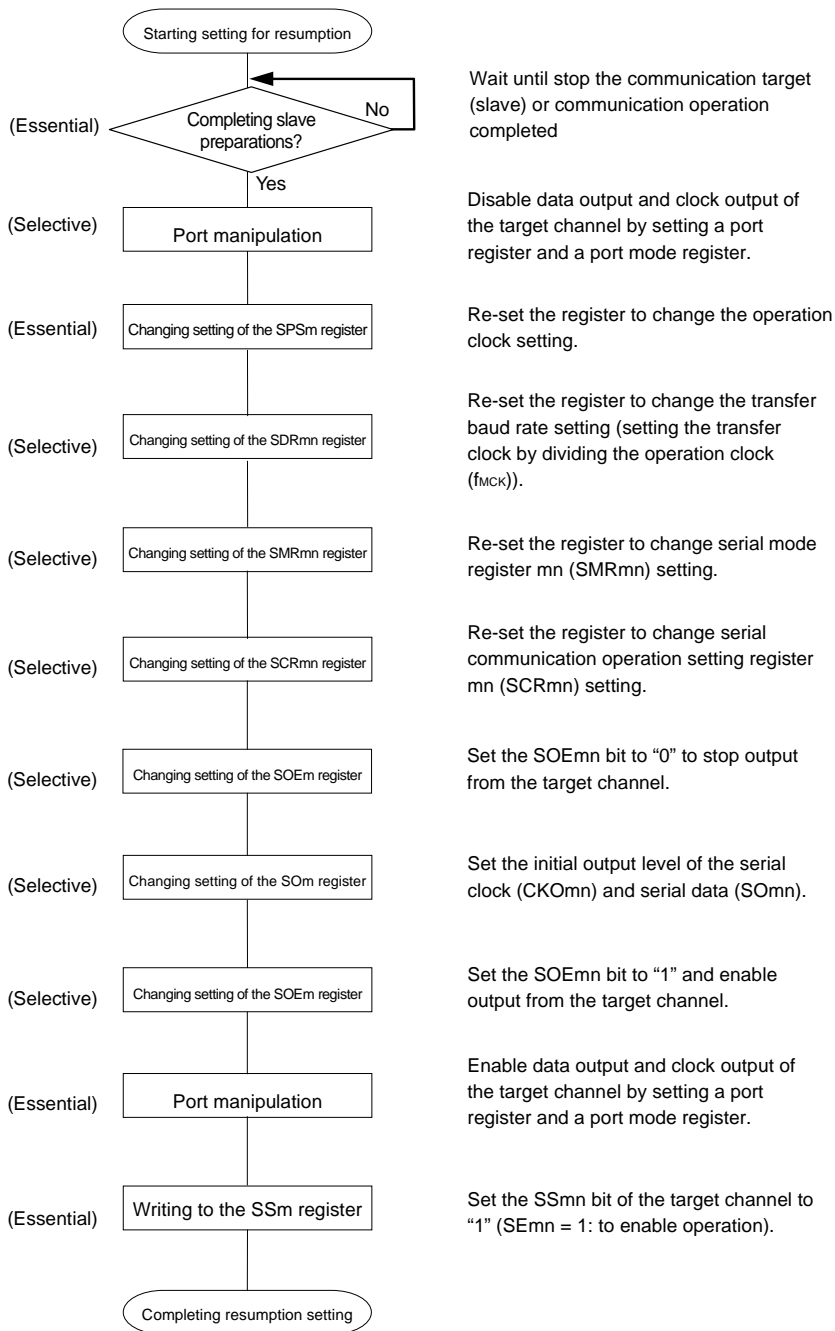
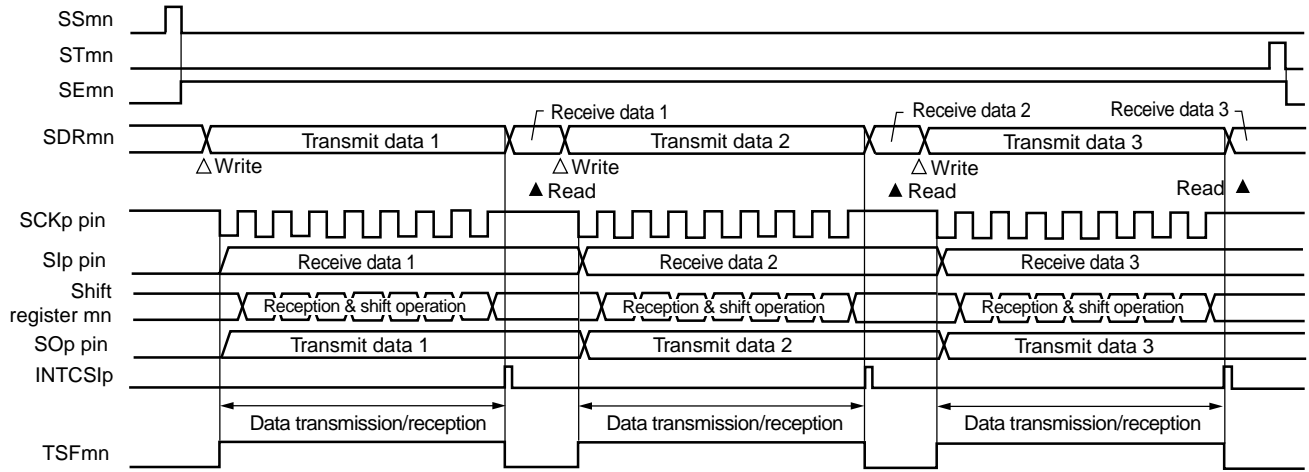


Figure 18-45. Procedure for Resuming Master Transmission/Reception



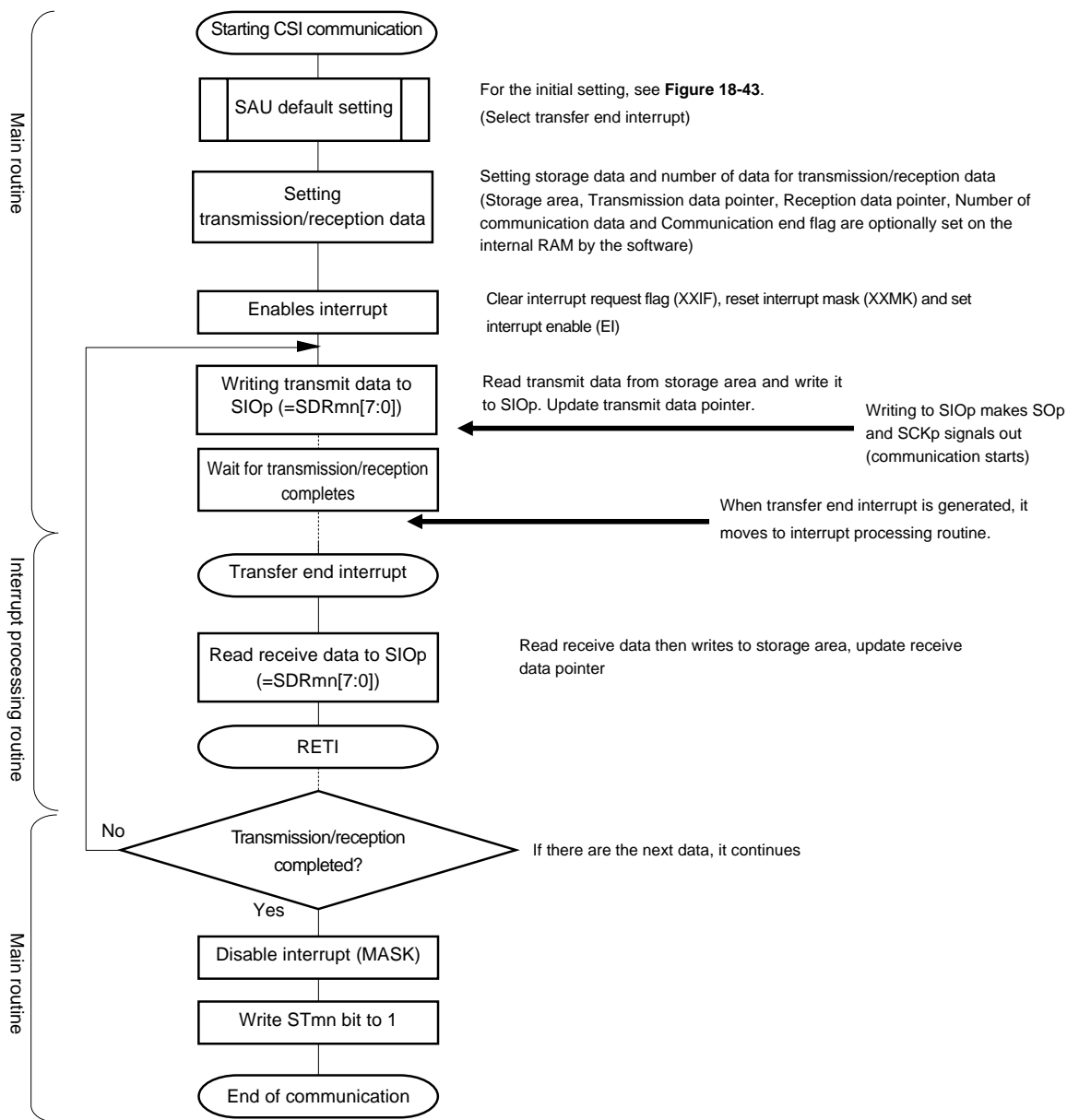
(3) Processing flow (in single-transmission/reception mode)

Figure 18-46. Timing Chart of Master Transmission/Reception (in Single-Transmission/reception Mode)
(Type 1: DAPmn = 0, CKPmn = 0)



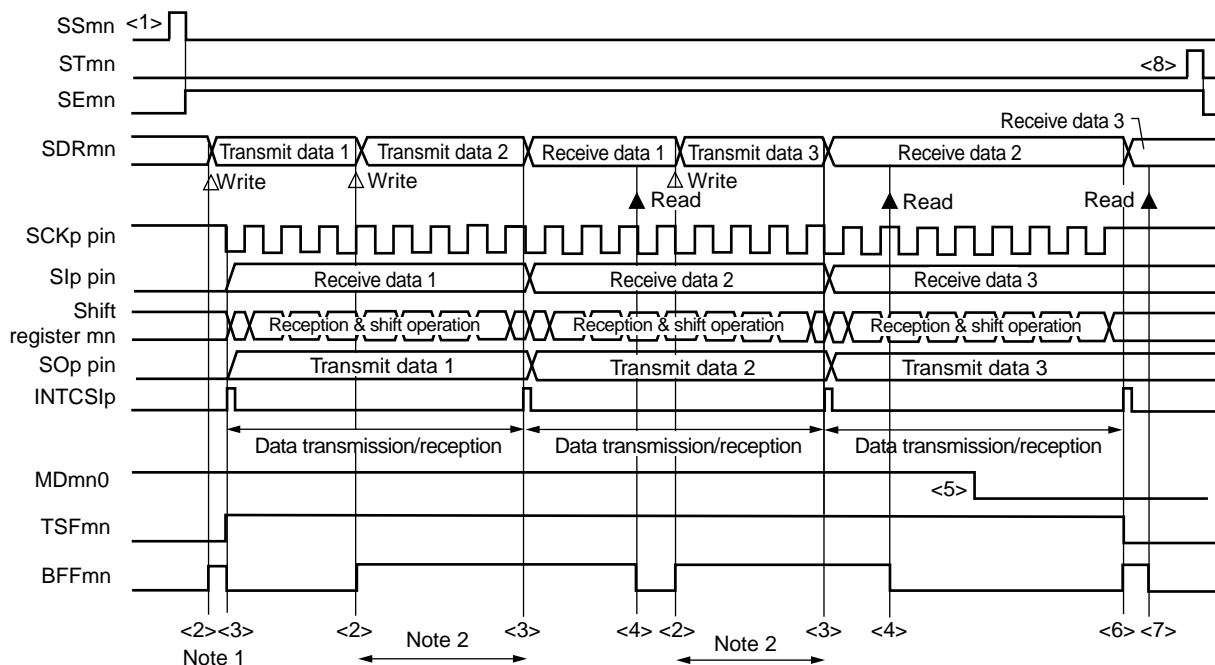
Remark m: Unit number (m = 0, 1), n: Channel number (n = 0, 2), p: CSI number (p = 00, 10, 30), mn = 00, 02, 12

Figure 18-47. Flowchart of Master Transmission/Reception (in Single-Transmission/reception Mode)



(4) Processing flow (in continuous transmission/reception mode)

Figure 18-48. Timing Chart of Master Transmission/Reception (in Continuous Transmission/Reception Mode)
(Type 1: DAPmn = 0, CKPmn = 0)

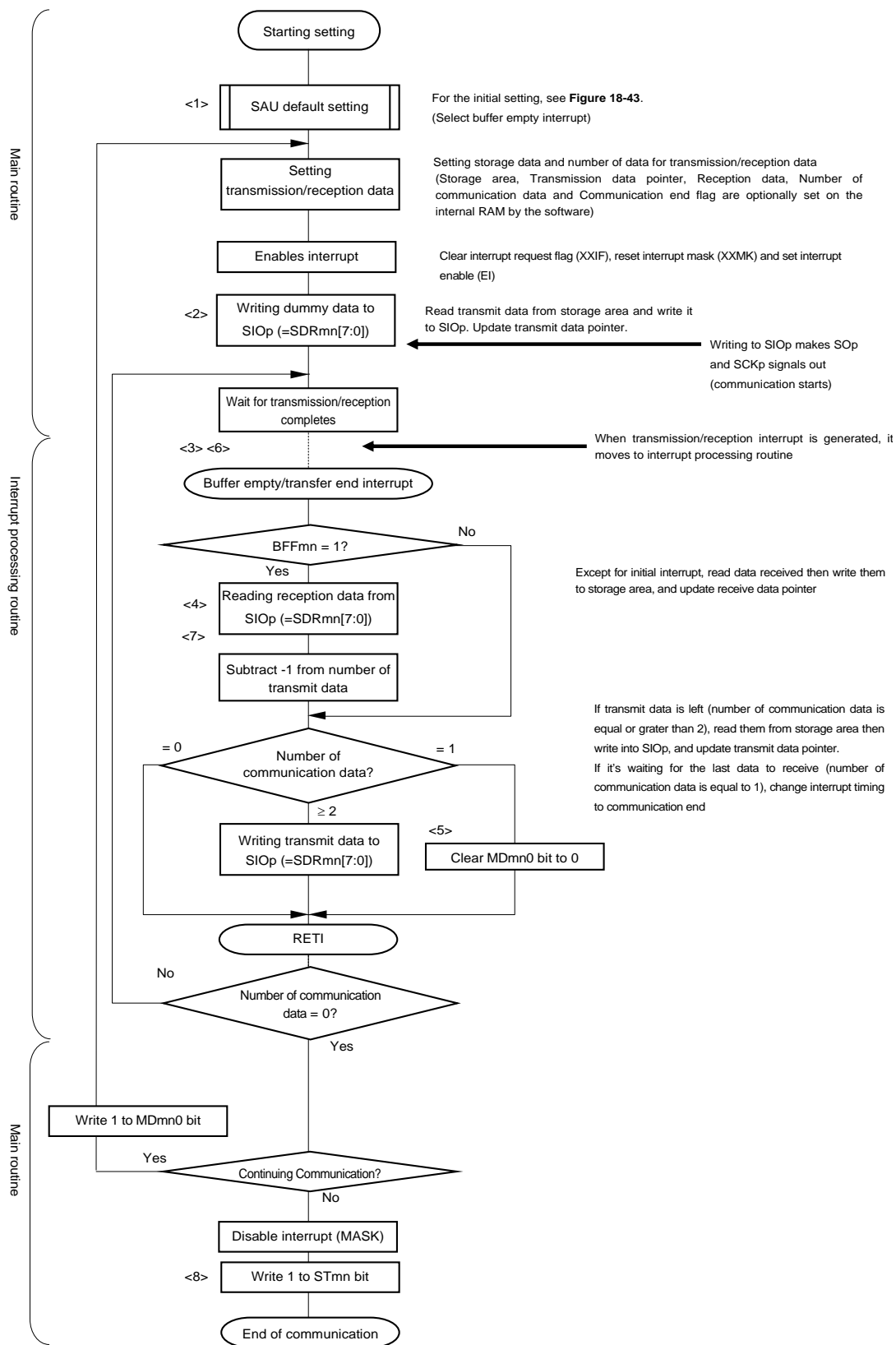


- Notes**
1. If transmit data is written to the SDRmn register while the BFFmn bit of serial status register mn (SSRmn) is 1 (valid data is stored in serial data register mn (SDRmn)), the transmit data is overwritten.
 2. The transmit data can be read by reading the SDRmn register during this period. At this time, the transfer operation is not affected.

Caution The MDmn0 bit of serial mode register mn (SMRmn) can be rewritten even during operation. However, rewrite it before transfer of the last bit is started, so that it has been rewritten before the transfer end interrupt of the last transmit data.

- Remarks**
1. <1> to <8> in the figure correspond to <1> to <8> in Figure 18-49 Flowchart of Master Transmission/Reception (in Continuous Transmission/Reception Mode).
 2. m: Unit number (m = 0, 1), n: Channel number (n = 0, 2), p: CSI number (p = 00, 10, 30), mn = 00, 02, 12

Figure 18-49. Flowchart of Master Transmission/Reception (in Continuous Transmission/Reception Mode)



Remark <1> to <8> in the figure correspond to <1> to <8> in **Figure 18-48 Timing Chart of Master Transmission/Reception (in Continuous Transmission/Reception Mode)**.

18.5.4 Slave transmission

Slave transmission is that the RL78 microcontroller transmits data to another device in the state of a transfer clock being input from another device.

3-Wire Serial I/O	CSI00	CSI10	CSI30
Target channel	Channel 0 of SAU0	Channel 2 of SAU0	Channel 2 of SAU1
Pins used	SCK00, SO00	SCK10, SO10	SCK30, SO30
Interrupt	INTCSI00	INTCSI10	INTCSI30
	Transfer end interrupt (in single-transfer mode) or buffer empty interrupt (in continuous transfer mode) can be selected.		
Error detection flag	Overrun error detection flag (OVFmn) only		
Transfer data length	7 or 8 bits		
Transfer rate	Max. $f_{MCK}/6$ [Hz] ^{Notes 1, 2}		
Data phase	Selectable by the DAPmn bit of the SCRmn register <ul style="list-style-type: none"> • DAPmn = 0: Data output starts from the start of the operation of the serial clock. • DAPmn = 1: Data output starts half a clock before the start of the serial clock operation. 		
Clock phase	Selectable by the CKPmn bit of the SCRmn register <ul style="list-style-type: none"> • CKPmn = 0: Non-reverse • CKPmn = 1: Reverse 		
Data direction	MSB or LSB first		

Notes 1. Because the external serial clock input to the SCK00, SCK10, and SCK30 pins is sampled internally and used, the fastest transfer rate is $f_{MCK}/6$ [Hz].

2. Use this operation within a range that satisfies the conditions above and the peripheral functions characteristics in the electrical specifications (see **CHAPTER 41 ELECTRICAL SPECIFICATIONS**).

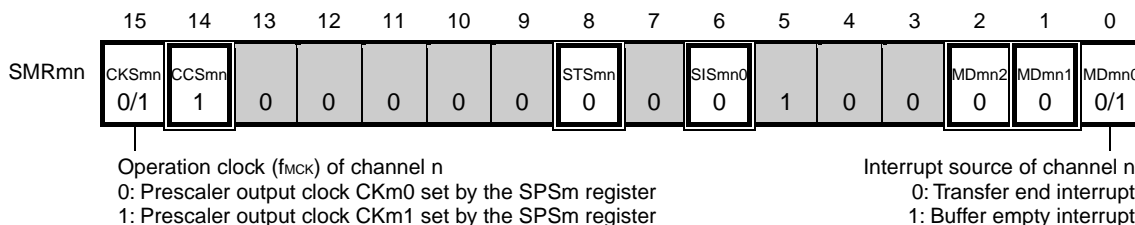
Remarks 1. f_{MCK} : Operation clock frequency of target channel

2. m: Unit number (m = 0, 1), n: Channel number (n = 0, 2), mn = 00, 02, 12

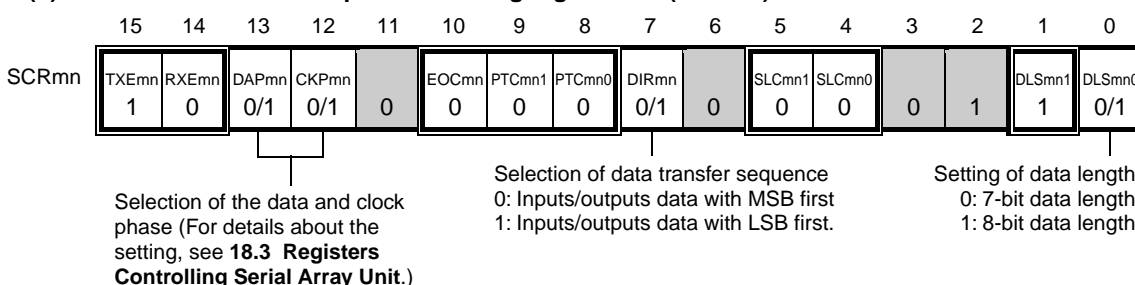
(1) Register setting

Figure 18-50. Example of Contents of Registers for Slave Transmission of 3-Wire Serial I/O (CSI00, CSI10, CSI30) (1/2)

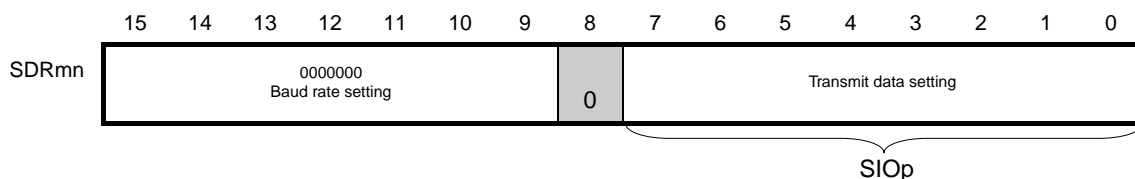
(a) Serial mode register mn (SMRmn)



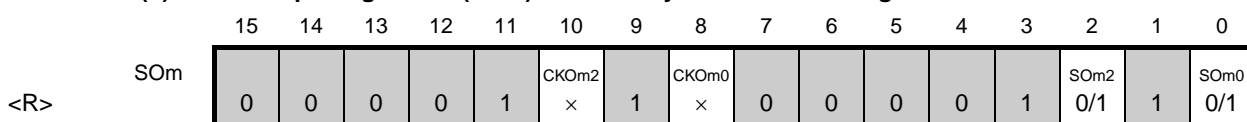
(b) Serial communication operation setting register mn (SCRmn)



(c) Serial data register mn (SDRmn) (lower 8 bits: SIOp)



(d) Serial output register m (SOM) ... Sets only the bits of the target channel.



<R>

- Remarks** 1. m: Unit number (m = 0, 1), n: Channel number (n = 0, 2), p: CSI number (p = 00, 10, 30), mn = 00, 02, 12
2. : Setting is fixed in the CSI slave transmission mode, : Setting disabled (set to the initial value)
 ×: Bit that cannot be used in this mode (set to the initial value when not used in any mode)
 0/1: Set to 0 or 1 depending on the usage of the user

Figure 18-50. Example of Contents of Registers for Slave Transmission of 3-Wire Serial I/O (CSI00, CSI10, CSI30) (2/2)

(e) Serial output enable register m (SOEm) ... Sets only the bits of the target channel to 1.

	15	14	13	12	11	10	9	8	7	6	5	4	3	2	1	0
<R> SOEm	0	0	0	0	0	0	0	0	0	0	0	0	0	SOEm2 0/1	0	SOEm0 0/1

(f) Serial channel start register m (SSm) ... Sets only the bits of the target channel to 1.

	15	14	13	12	11	10	9	8	7	6	5	4	3	2	1	0
<R> SSm	0	0	0	0	0	0	0	0	0	0	0	0	SSm3 ×	SSm2 0/1	SSm1 ×	SSm0 0/1

Remarks 1. m: Unit number (m = 0, 1), n: Channel number (n = 0, 2), p: CSI number (p = 00, 10, 30), mn = 00, 02, 12

2. : Setting disabled (set to the initial value)

×: Bit that cannot be used in this mode (set to the initial value when not used in any mode)

0/1: Set to 0 or 1 depending on the usage of the user

(2) Operation procedure

Figure 18-51. Initial Setting Procedure for Slave Transmission

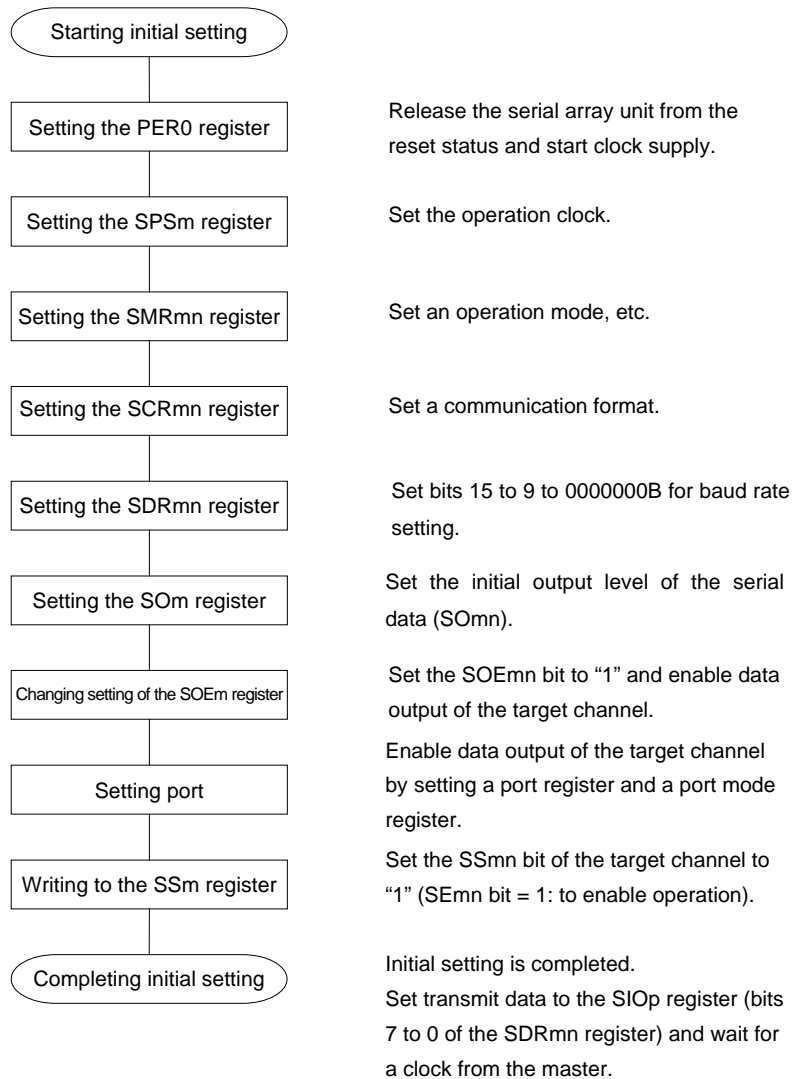


Figure 18-52. Procedure for Stopping Slave Transmission

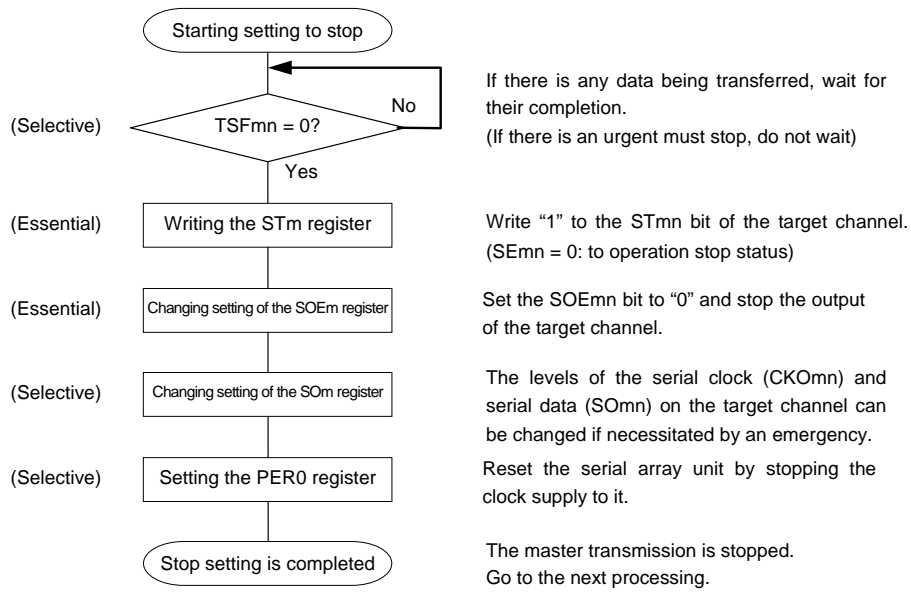
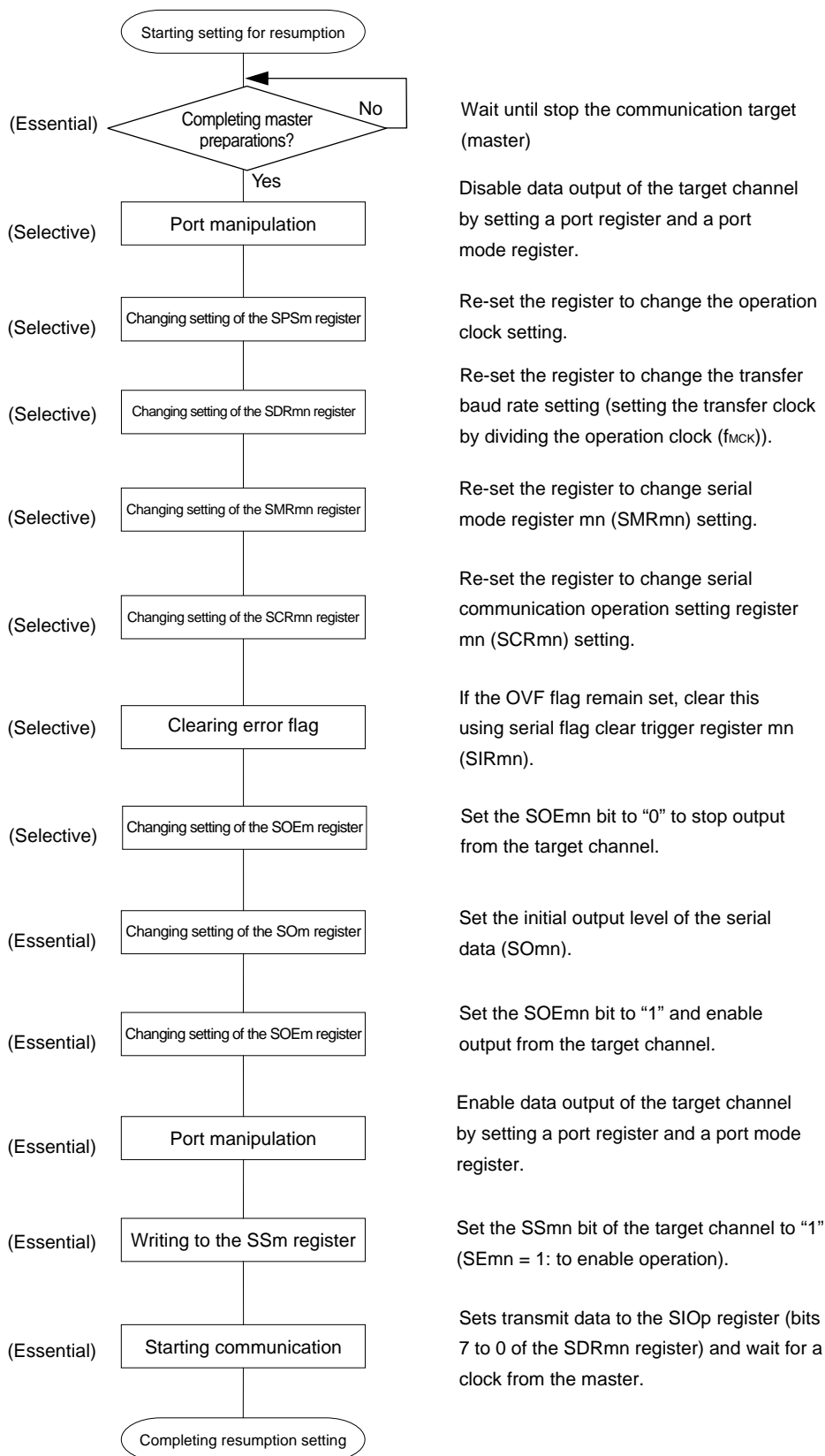


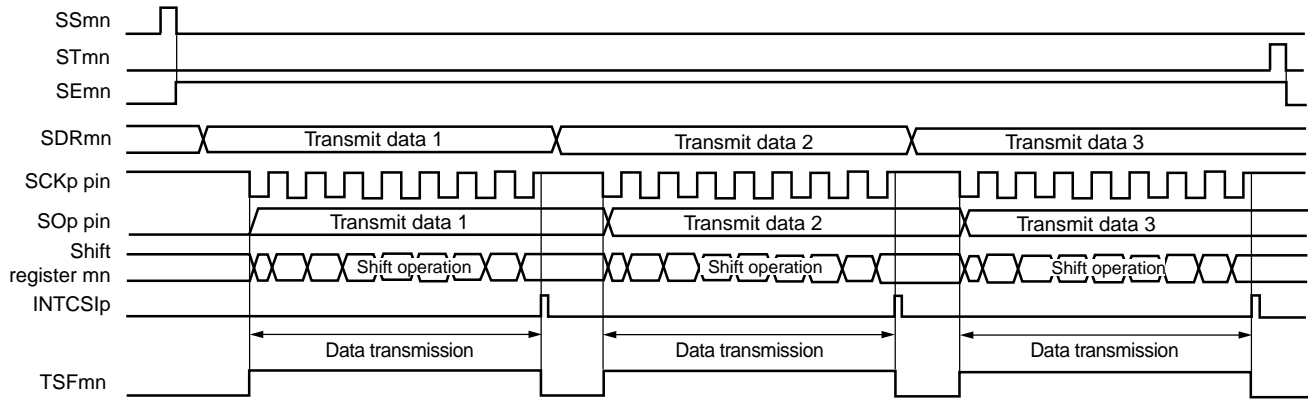
Figure 18-53. Procedure for Resuming Slave Transmission



Remark If PER0 is rewritten while stopping the master transmission and the clock supply is stopped, wait until the transmission target (master) stops or transmission finishes, and then perform initialization instead of restarting the transmission.

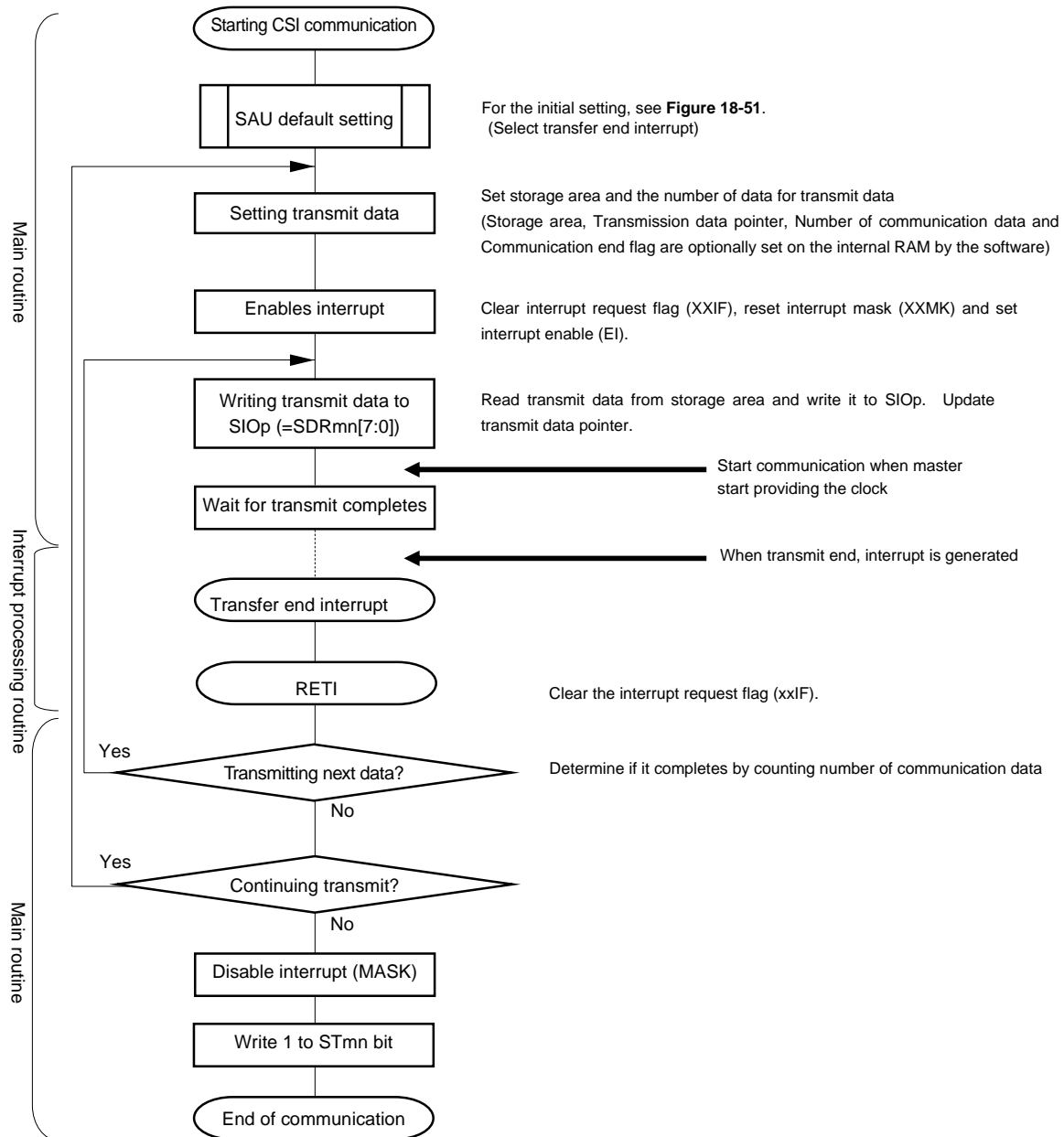
(3) Processing flow (in single-transmission mode)

Figure 18-54. Timing Chart of Slave Transmission (in Single-Transmission Mode)
 (Type 1: DAPmn = 0, CKPmn = 0)



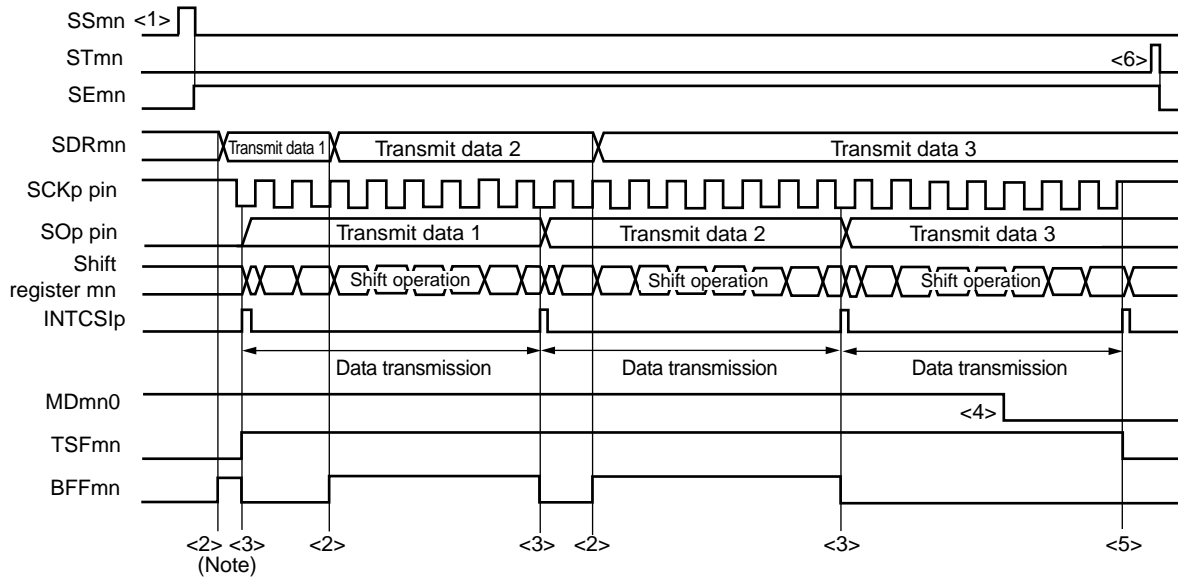
Remark m: Unit number (m = 0, 1), n: Channel number (n = 0, 2), p: CSI number (p = 00, 10, 30), mn = 00, 02, 12

Figure 18-55. Flowchart of Slave Transmission (in Single-Transmission Mode)



(4) Processing flow (in continuous transmission mode)

Figure 18-56. Timing Chart of Slave Transmission (in Continuous Transmission Mode)
(Type 1: DAPmn = 0, CKPmn = 0)

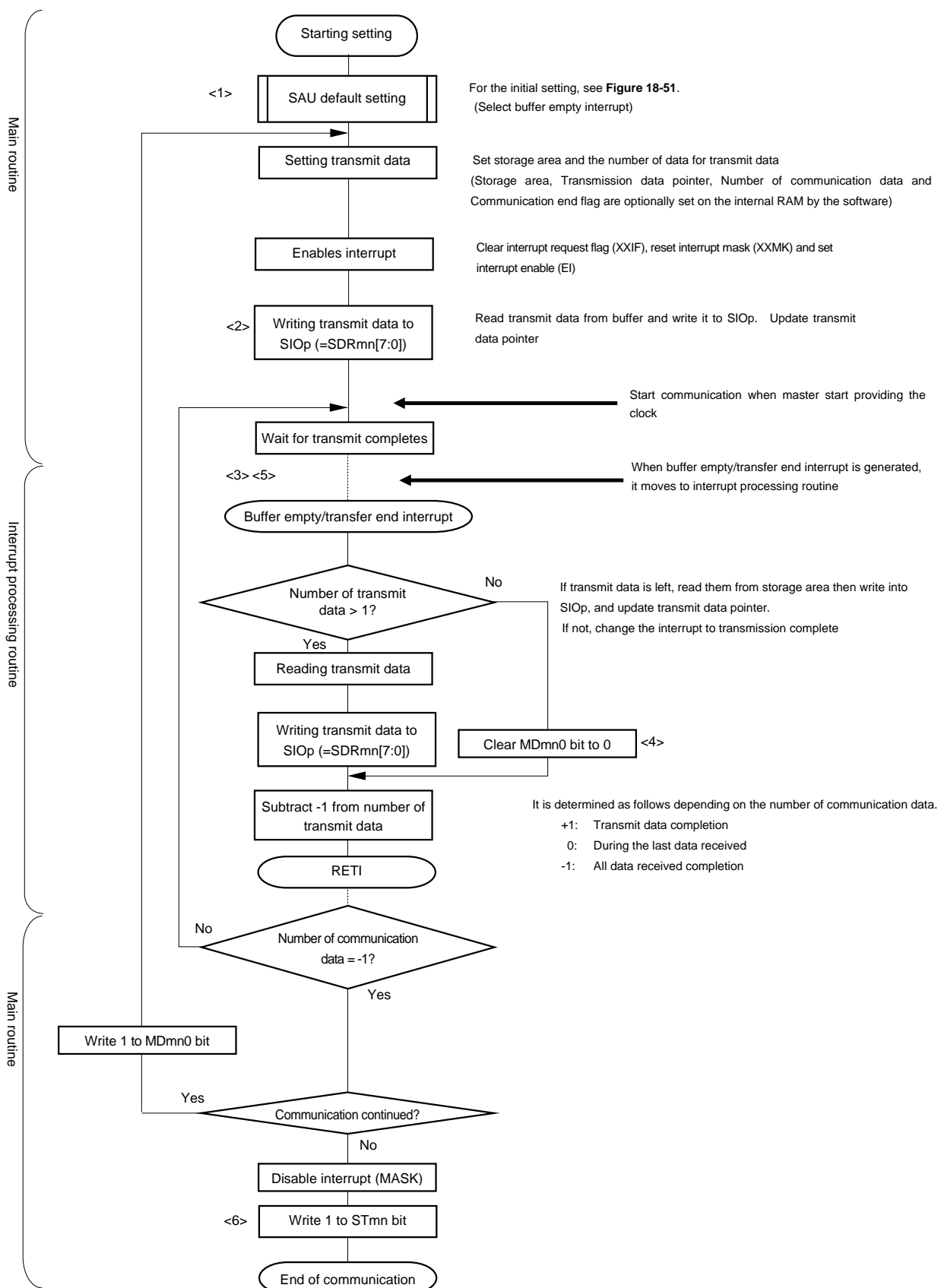


Note If transmit data is written to the SDRmn register while the BFFmn bit of serial status register mn (SSRmn) is 1 (valid data is stored in serial data register mn (SDRmn)), the transmit data is overwritten.

Caution The MDmn0 bit of serial mode register mn (SMRmn) can be rewritten even during operation. However, rewrite it before transfer of the last bit is started.

Remark m: Unit number (m = 0, 1), n: Channel number (n = 0, 2), p: CSI number (p = 00, 10, 30), mn = 00, 02, 12

Figure 18-57. Flowchart of Slave Transmission (in Continuous Transmission Mode)



Remark <1> to <6> in the figure correspond to <1> to <6> in Figure 18-56 Timing Chart of Slave Transmission (in Continuous Transmission Mode).

18.5.5 Slave reception

Slave reception is that the RL78 microcontroller receive data from another device in the state of a transfer clock being input from another device.

3-Wire Serial I/O	CSI00	CSI10	CSI30
Target channel	Channel 0 of SAU0	Channel 2 of SAU0	Channel 2 of SAU1
Pins used	SCK00, SI00	SCK10, SI10	SCK30, SI30
Interrupt	INTCSI00	INTCSI10	INTCSI30
	Transfer end interrupt only (Setting the buffer empty interrupt is prohibited.)		
Error detection flag	Overrun error detection flag (OVFmn) only		
Transfer data length	7 or 8 bits		
Transfer rate	Max. $f_{MCK}/6$ [Hz] ^{Notes 1, 2}		
Data phase	Selectable by the DAPmn bit of the SCRmn register <ul style="list-style-type: none"> • DAPmn = 0: Data input starts from the start of the operation of the serial clock. • DAPmn = 1: Data input starts half a clock before the start of the serial clock operation. 		
Clock phase	Selectable by the CKPmn bit of the SCRmn register <ul style="list-style-type: none"> • CKPmn = 0: Non-reverse • CKPmn = 1: Reverse 		
Data direction	MSB or LSB first		

Notes 1. Because the external serial clock input to the SCK00, SCK10, and SCK30 pins is sampled internally and used, the fastest transfer rate is $f_{MCK}/6$ [Hz].

2. Use this operation within a range that satisfies the conditions above and the peripheral functions characteristics in the electrical specifications (see **CHAPTER 41 ELECTRICAL SPECIFICATIONS**).

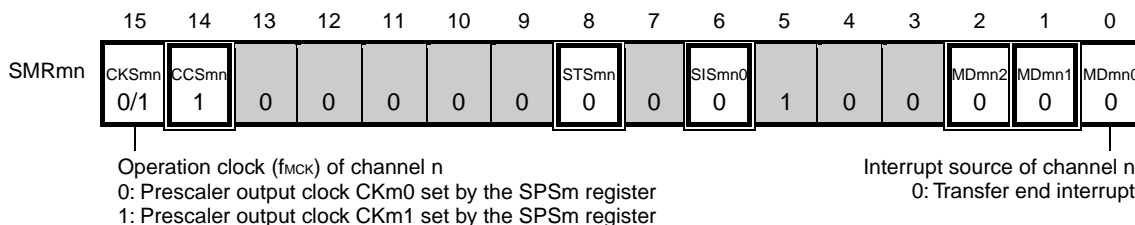
Remarks 1. f_{MCK} : Operation clock frequency of target channel

2. m: Unit number (m = 0, 1), n: Channel number (n = 0, 2), mn = 00, 02, 12

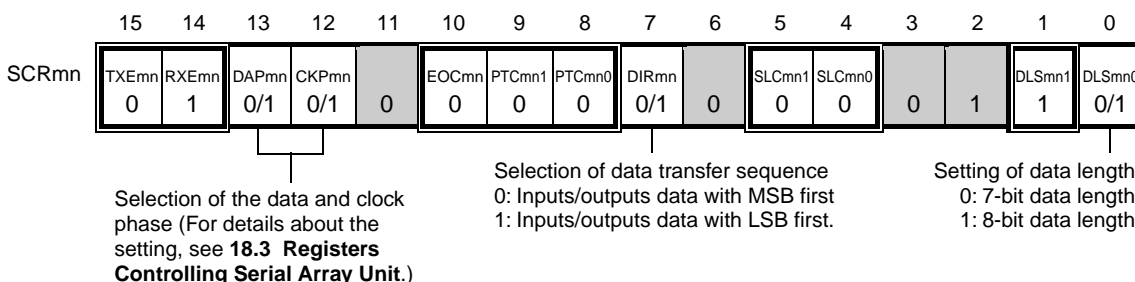
(1) Register setting

Figure 18-58. Example of Contents of Registers for Slave Reception of 3-Wire Serial I/O (CSI00, CSI10, CSI30) (1/2)

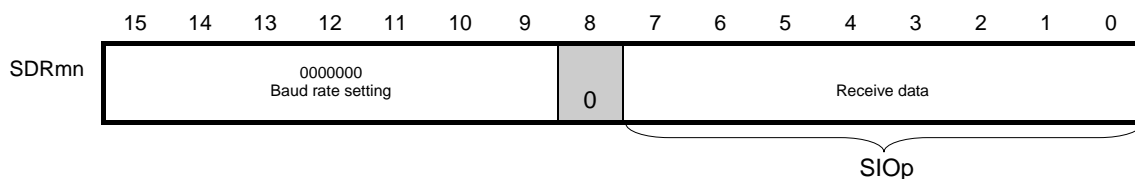
(a) Serial mode register mn (SMRmn)



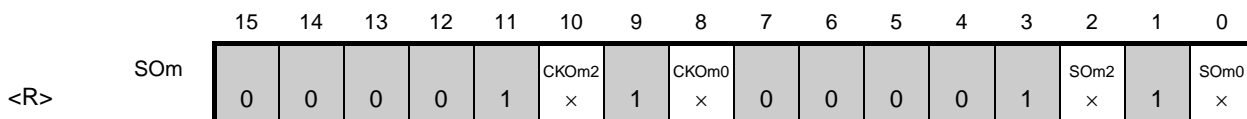
(b) Serial communication operation setting register mn (SCRmn)



(c) Serial data register mn (SDRmn) (lower 8 bits: SIOp)



(d) Serial output register m (SOM) ...The Register that not used in this mode.



- Remarks** 1. m: Unit number (m = 0, 1), n: Channel number (n = 0, 2), p: CSI number (p = 00, 10, 30), mn = 00, 02, 12
2. : Setting is fixed in the CSI slave transmission mode, : Setting disabled (set to the initial value)
 ×: Bit that cannot be used in this mode (set to the initial value when not used in any mode)
 0/1: Set to 0 or 1 depending on the usage of the user

Figure 18-58. Example of Contents of Registers for Slave Reception of 3-Wire Serial I/O (CSI00, CSI10, CSI30) (2/2)

(e) Serial output enable register m (SOEm) ...The Register that not used in this mode.

	15	14	13	12	11	10	9	8	7	6	5	4	3	2	1	0
SOEm	0	0	0	0	0	0	0	0	0	0	0	0	0	SOEm2 ×	0	SOEm0 ×

(f) Serial channel start register m (SSm) ... Sets only the bits of the target channel to 1.

	15	14	13	12	11	10	9	8	7	6	5	4	3	2	1	0	
<R> SSm	0	0	0	0	0	0	0	0	0	0	0	0	0	SSm3 ×	SSm2 0/1	SSm1 ×	SSm0 0/1

- Remarks**
- m: Unit number (m = 0, 1), n: Channel number (n = 0, 2), p: CSI number (p = 00, 10, 30), mn = 00, 02, 12
 - : Setting disabled (set to the initial value)
 - ×: Bit that cannot be used in this mode (set to the initial value when not used in any mode)
 - 0/1: Set to 0 or 1 depending on the usage of the user

(2) Operation procedure

Figure 18-59. Initial Setting Procedure for Slave Reception

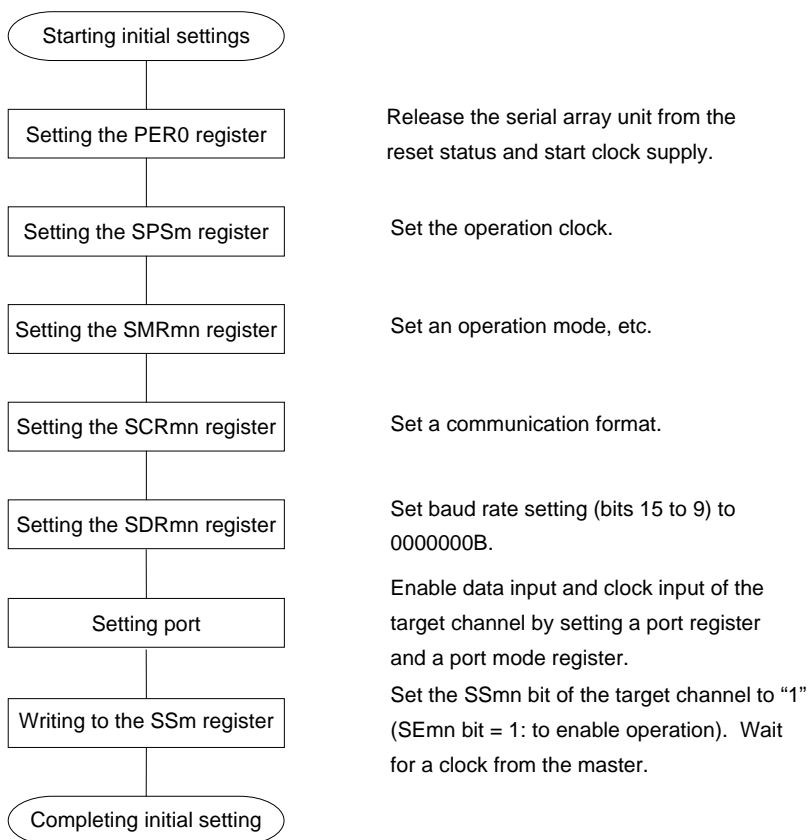


Figure 18-60. Procedure for Stopping Slave Reception

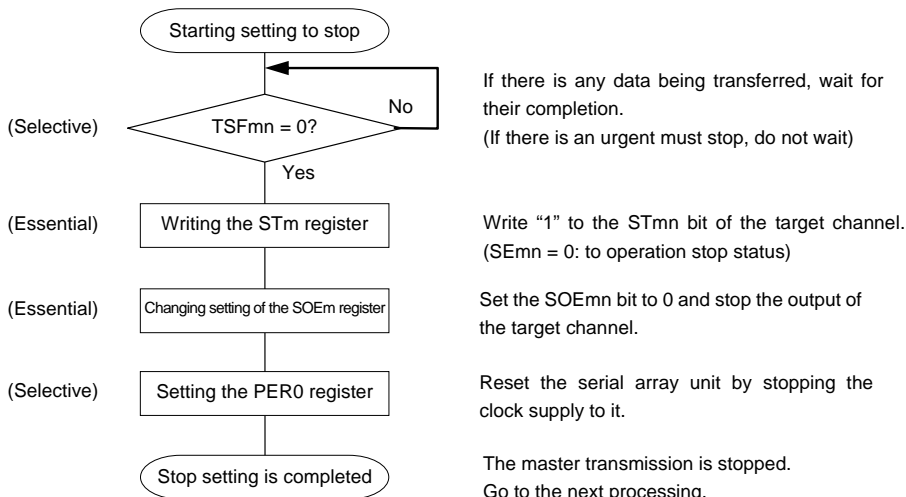
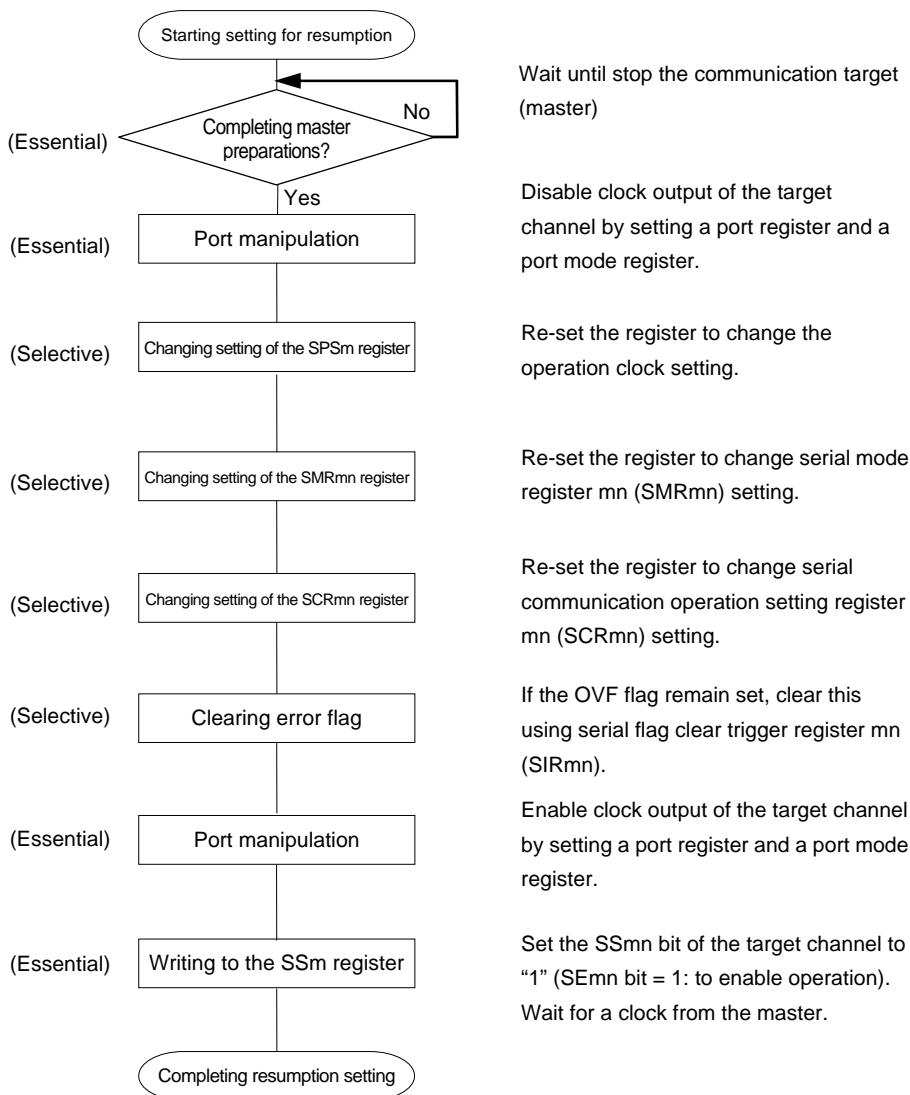


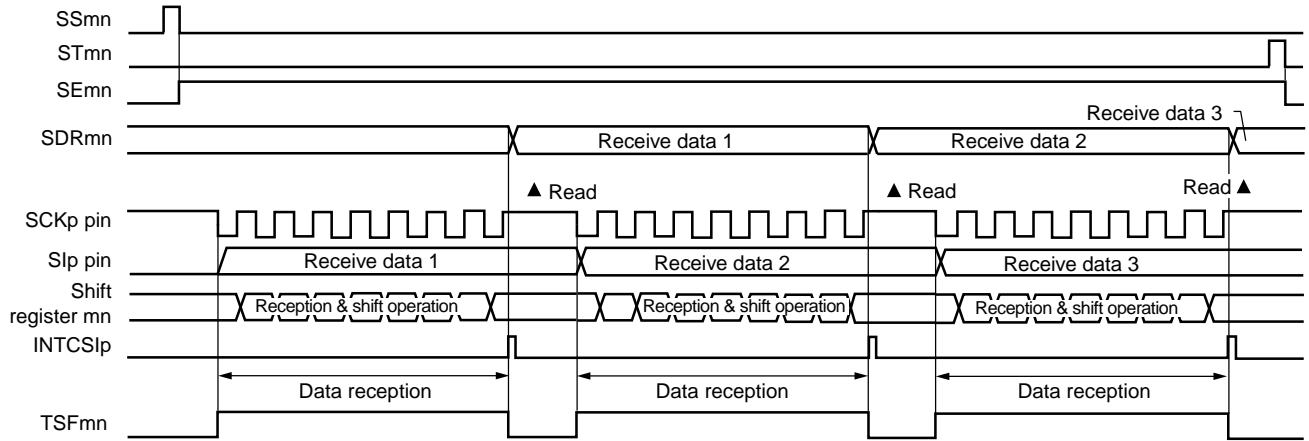
Figure 18-61. Procedure for Resuming Slave Reception



Remark If PER0 is rewritten while stopping the master transmission and the clock supply is stopped, wait until the transmission target (master) stops or transmission finishes, and then perform initialization instead of restarting the transmission.

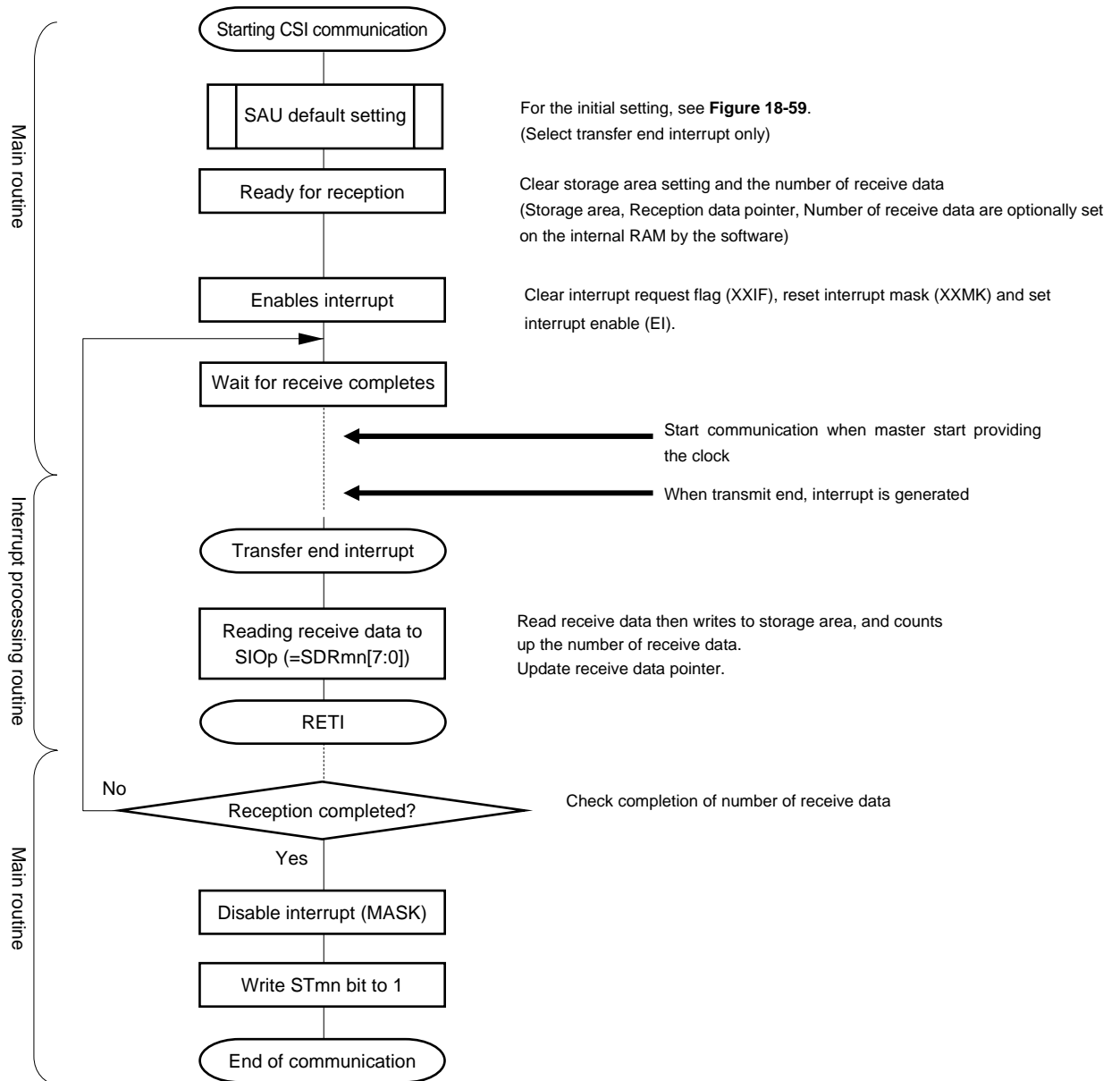
(3) Processing flow (in single-reception mode)

Figure 18-62. Timing Chart of Slave Reception (in Single-reception Mode)
(Type 1: DAPmn = 0, CKPmn = 0)



Remark m: Unit number (m = 0, 1), n: Channel number (n = 0, 2), p: CSI number (p = 00, 10, 30), mn = 00, 02, 12

Figure 18-63. Flowchart of Slave Reception (in Single-reception Mode)



18.5.6 Slave transmission/reception

Slave transmission/reception is that the RL78 microcontroller transmit/receive data to/from another device in the state of a transfer clock being input from another device.

3-Wire Serial I/O	CSI00	CSI10	CSI30
Target channel	Channel 0 of SAU0	Channel 2 of SAU0	Channel 2 of SAU1
Pins used	SCK00, SI00, SO00	SCK10, SI10, SO10	SCK30, SI30, SO30
Interrupt	INTCSI00	INTCSI10	INTCSI30
	Transfer end interrupt (in single-transfer mode) or buffer empty interrupt (in continuous transfer mode) can be selected.		
Error detection flag	Overrun error detection flag (OVFmn) only		
Transfer data length	7 or 8 bits		
Transfer rate	Max. $f_{MCK}/6$ [Hz] ^{Notes 1, 2}		
Data phase	Selectable by the DAPmn bit of the SCRmn register <ul style="list-style-type: none"> • DAPmn = 0: Data I/O starts from the start of the operation of the serial clock. • DAPmn = 1: Data I/O starts half a clock before the start of the serial clock operation. 		
Clock phase	Selectable by the CKPmn bit of the SCRmn register <ul style="list-style-type: none"> • CKPmn = 0: Non-reverse • CKPmn = 1: Reverse 		
Data direction	MSB or LSB first		

Notes 1. Because the external serial clock input to the SCK00, SCK10, and SCK30 pins is sampled internally and used, the fastest transfer rate is $f_{MCK}/6$ [Hz].

2. Use this operation within a range that satisfies the conditions above and the peripheral functions characteristics in the electrical specifications (see **CHAPTER 41 ELECTRICAL SPECIFICATIONS**).

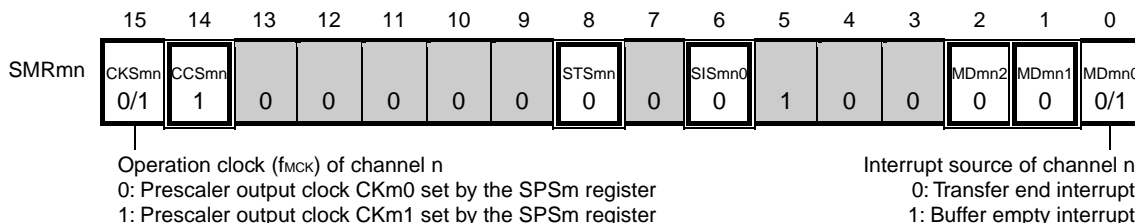
Remarks 1. f_{MCK} : Operation clock frequency of target channel

2. m: Unit number (m = 0, 1), n: Channel number (n = 0, 2), mn = 00, 02, 12

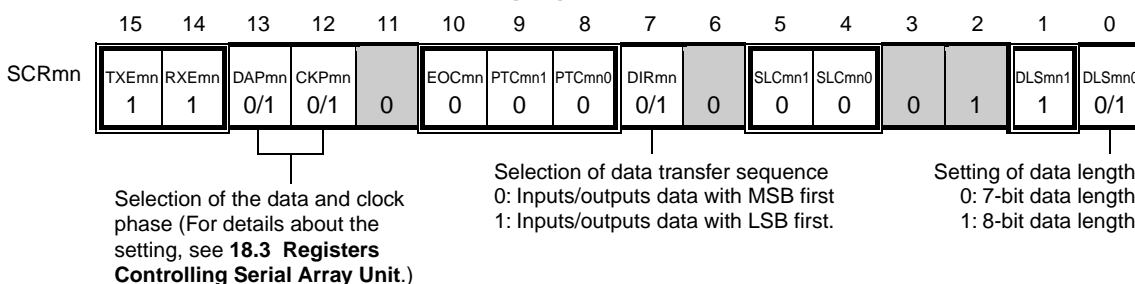
(1) Register setting

Figure 18-64. Example of Contents of Registers for Slave Transmission/Reception of 3-Wire Serial I/O (CSI00, CSI10, CSI30) (1/2)

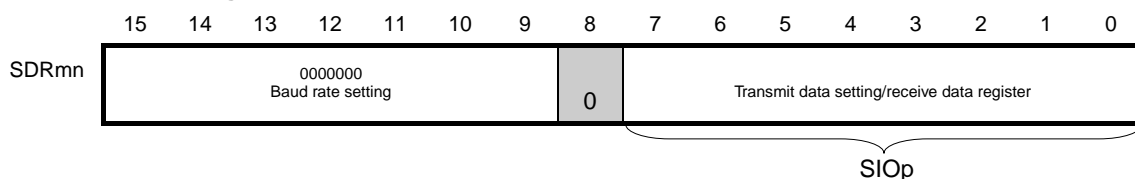
(a) Serial mode register mn (SMRmn)



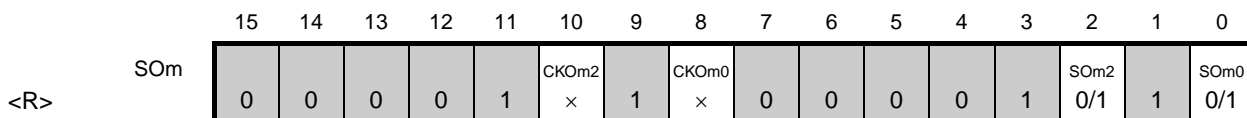
(b) Serial communication operation setting register mn (SCRmn)



(c) Serial data register mn (SDRmn) (lower 8 bits: SIOp)



(d) Serial output register m (SOM) ... Sets only the bits of the target channel.



Caution Be sure to set transmit data to the SIOp register before the clock from the master is started.

- Remarks**
1. m: Unit number (m = 0, 1), n: Channel number (n = 0, 2), p: CSI number (p = 00, 10, 30), mn = 00, 02, 12
 2. : Setting is fixed in the CSI slave transmission/reception mode,
 : Setting disabled (set to the initial value)
 ×: Bit that cannot be used in this mode (set to the initial value when not used in any mode)
 0/1: Set to 0 or 1 depending on the usage of the user

Figure 18-64. Example of Contents of Registers for Slave Transmission/Reception of 3-Wire Serial I/O (CSI00, CSI10, CSI30) (2/2)

(e) Serial output enable register m (SOEm) ... Sets only the bits of the target channel to 1.

	15	14	13	12	11	10	9	8	7	6	5	4	3	2	1	0
<R> SOEm	0	0	0	0	0	0	0	0	0	0	0	0	0	SOEm2 0/1	0	SOEm0 0/1

(f) Serial channel start register m (SSm) ... Sets only the bits of the target channel to 1.

	15	14	13	12	11	10	9	8	7	6	5	4	3	2	1	0
<R> SSm	0	0	0	0	0	0	0	0	0	0	0	0	SSm3 ×	SSm2 0/1	SSm1 ×	SSm0 0/1

Remarks 1. m: Unit number (m = 0, 1), n: Channel number (n = 0, 2), p: CSI number (p = 00, 10, 30), mn = 00, 02, 12

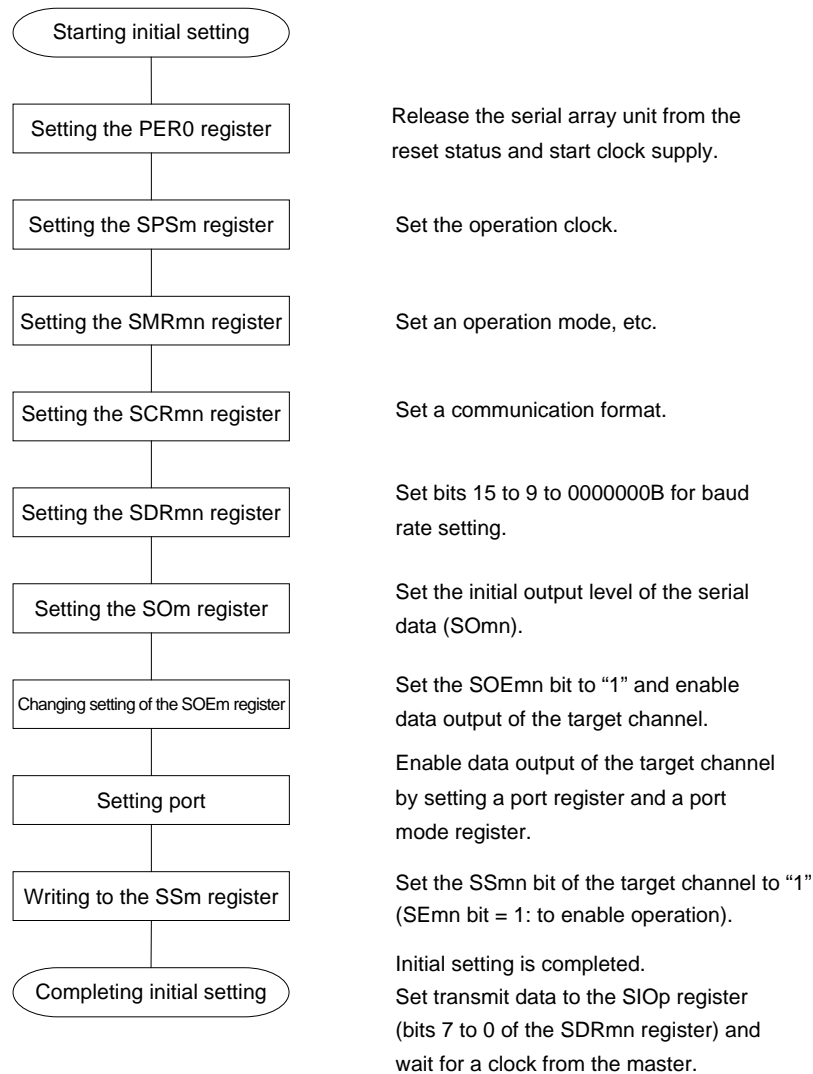
2. : Setting disabled (set to the initial value)

×: Bit that cannot be used in this mode (set to the initial value when not used in any mode)

0/1: Set to 0 or 1 depending on the usage of the user

(2) Operation procedure

Figure 18-65. Initial Setting Procedure for Slave Transmission/Reception



Caution Be sure to set transmit data to the SIOp register before the clock from the master is started.

Figure 18-66. Procedure for Stopping Slave Transmission/Reception

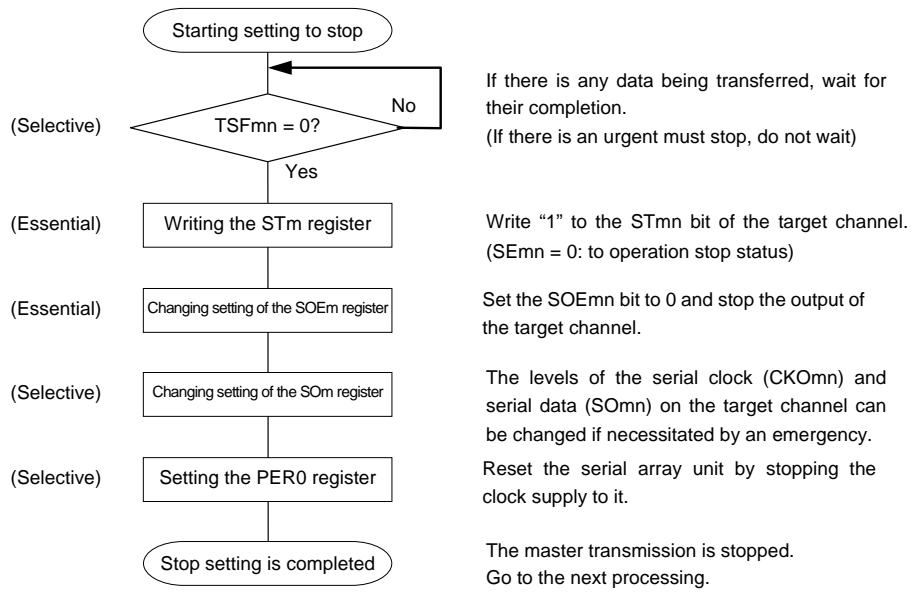
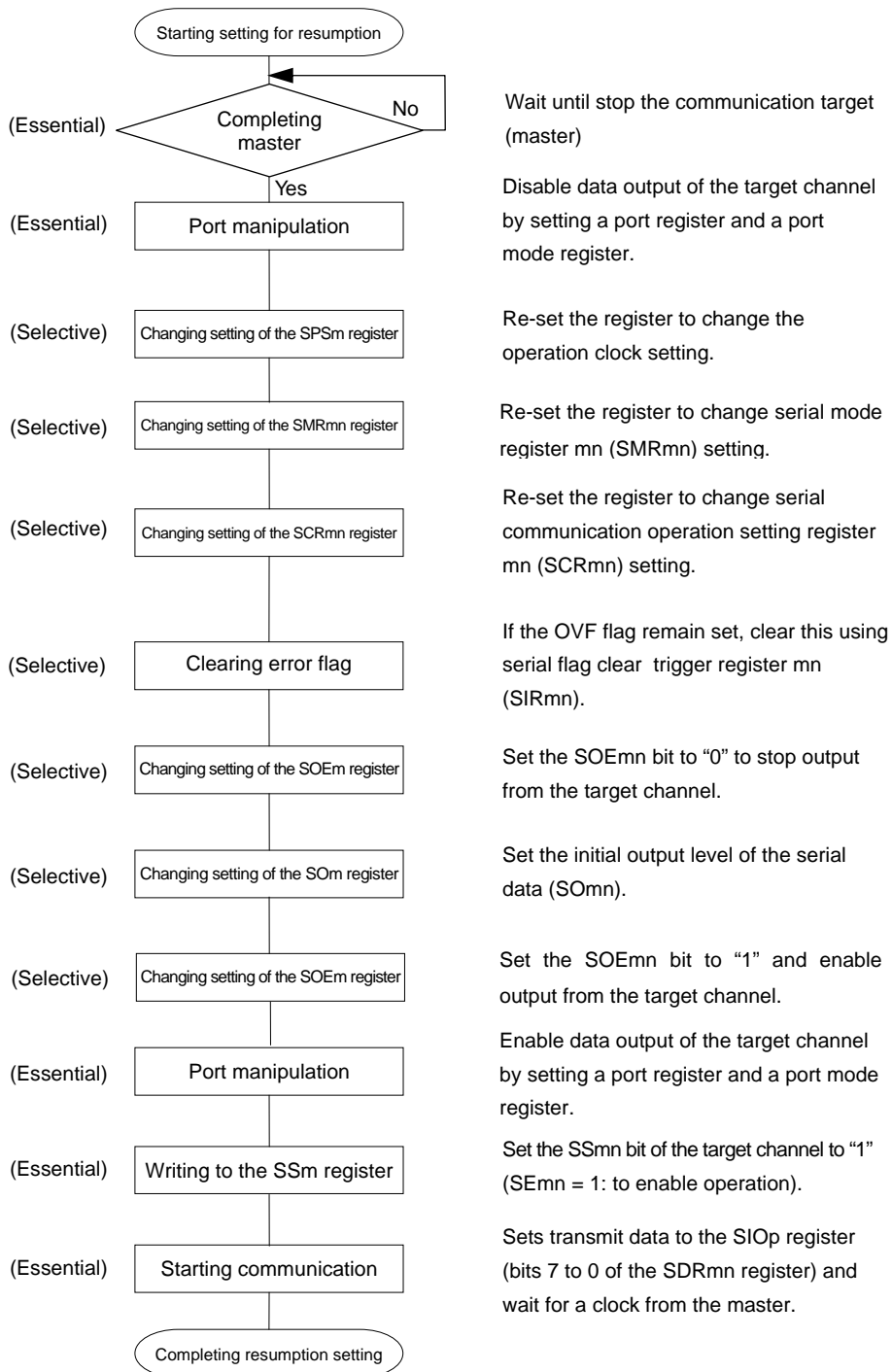


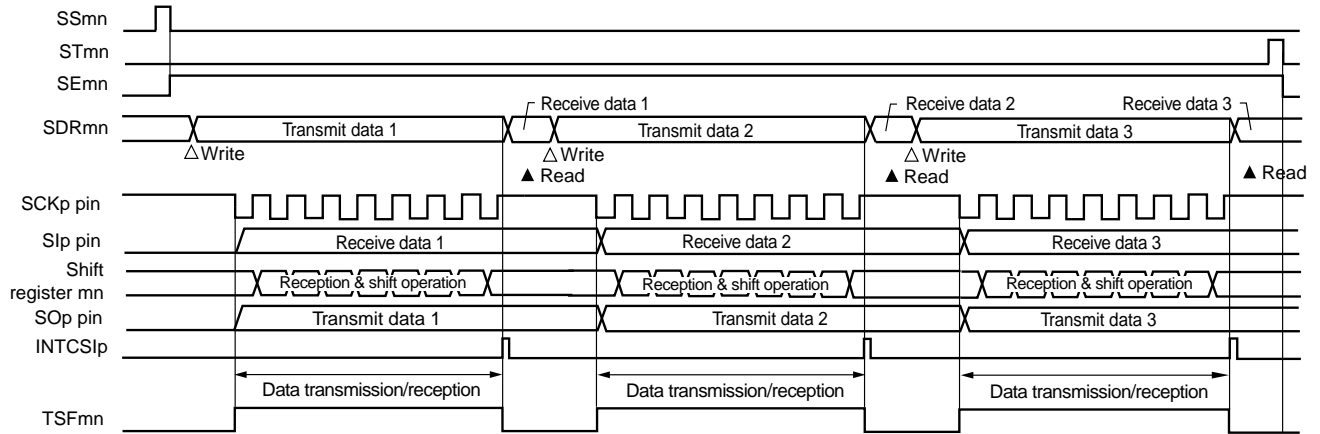
Figure 18-67. Procedure for Resuming Slave Transmission/Reception



- Cautions**
1. Be sure to set transmit data to the SIOp register before the clock from the master is started.
 2. If PER0 is rewritten while stopping the master transmission and the clock supply is stopped, wait until the transmission target (master) stops or transmission finishes, and then perform initialization instead of restarting the transmission.

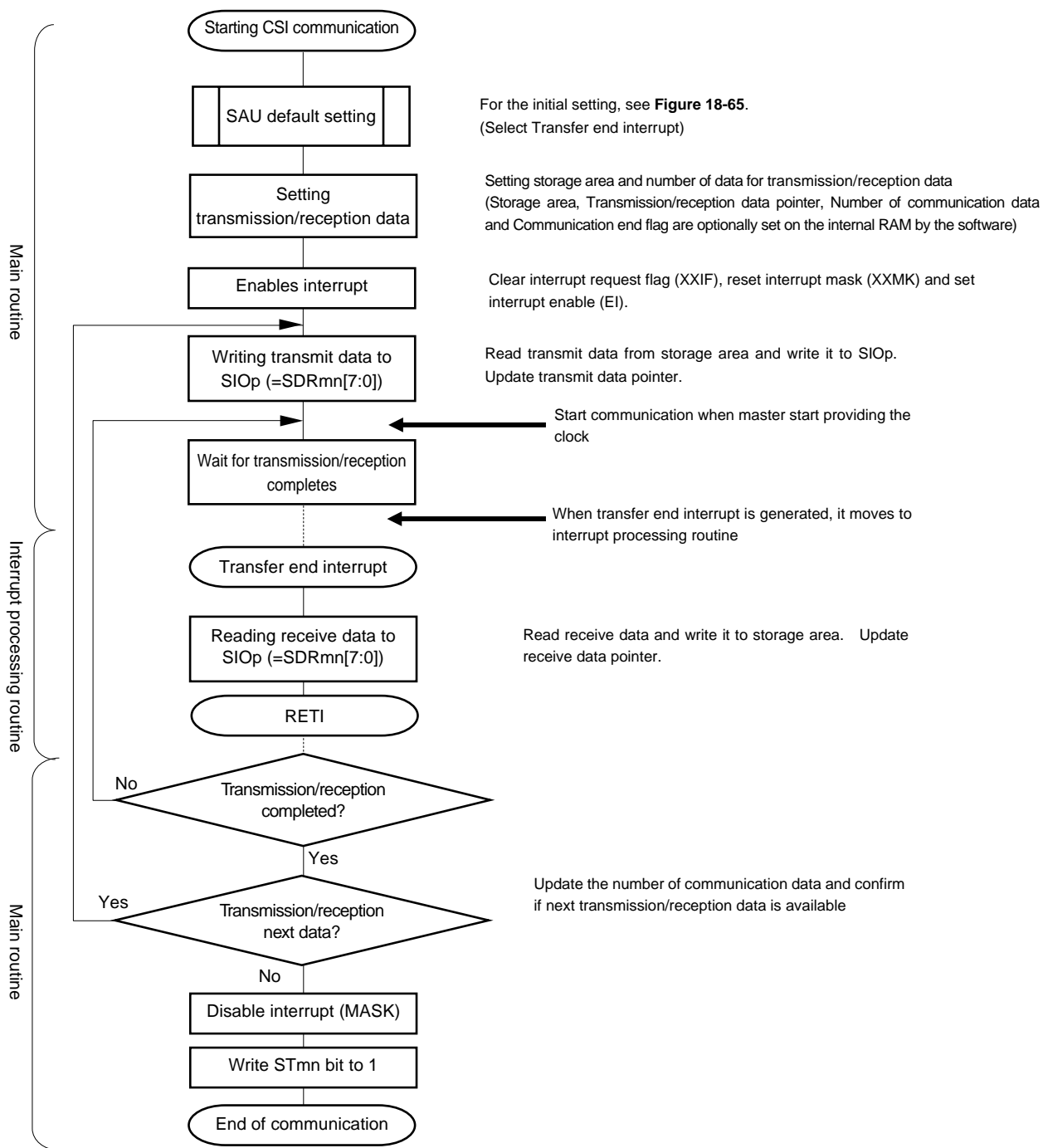
(3) Processing flow (in single-transmission/reception mode)

Figure 18-68. Timing Chart of Slave Transmission/Reception (in Single-Transmission/Reception Mode)
(Type 1: DAPmn = 0, CKPmn = 0)



Remark m: Unit number (m = 0, 1), n: Channel number (n = 0, 2), p: CSI number (p = 00, 10, 30), mn = 00, 02, 12

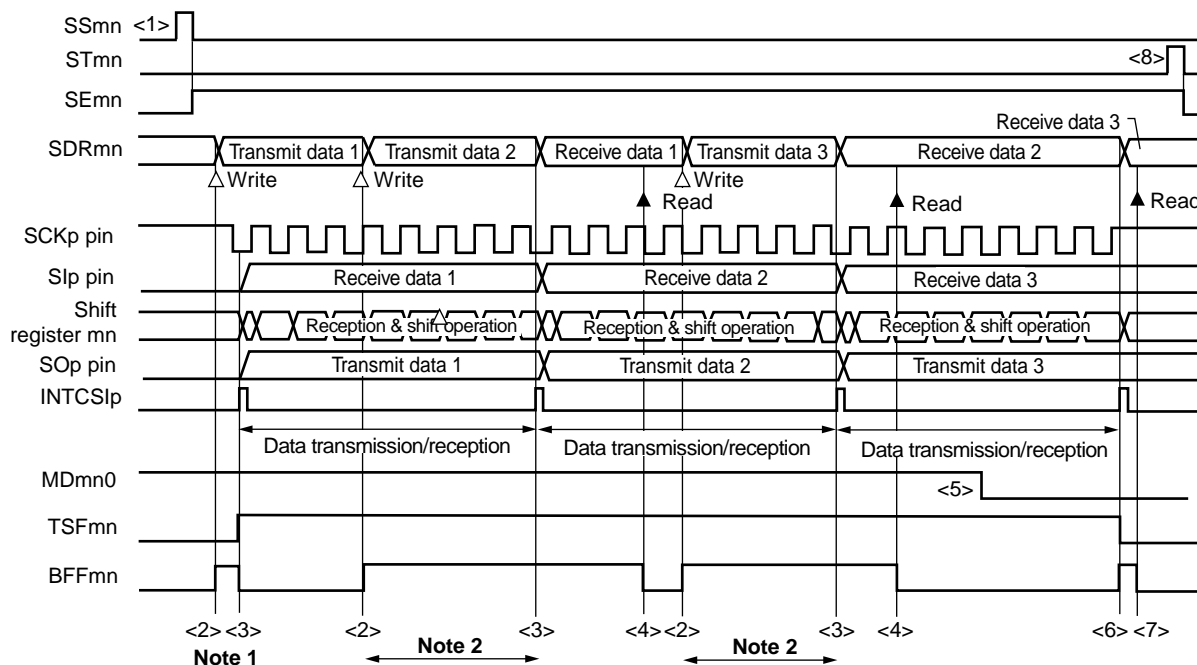
Figure 18-69. Flowchart of Slave Transmission/Reception (in Single-Transmission/Reception Mode)



Caution Be sure to set transmit data to the SIOp register before the clock from the master is started.

(4) Processing flow (in continuous transmission/reception mode)

Figure 18-70. Timing Chart of Slave Transmission/Reception (in Continuous Transmission/Reception Mode)
(Type 1: DAPmn = 0, CKPmn = 0)



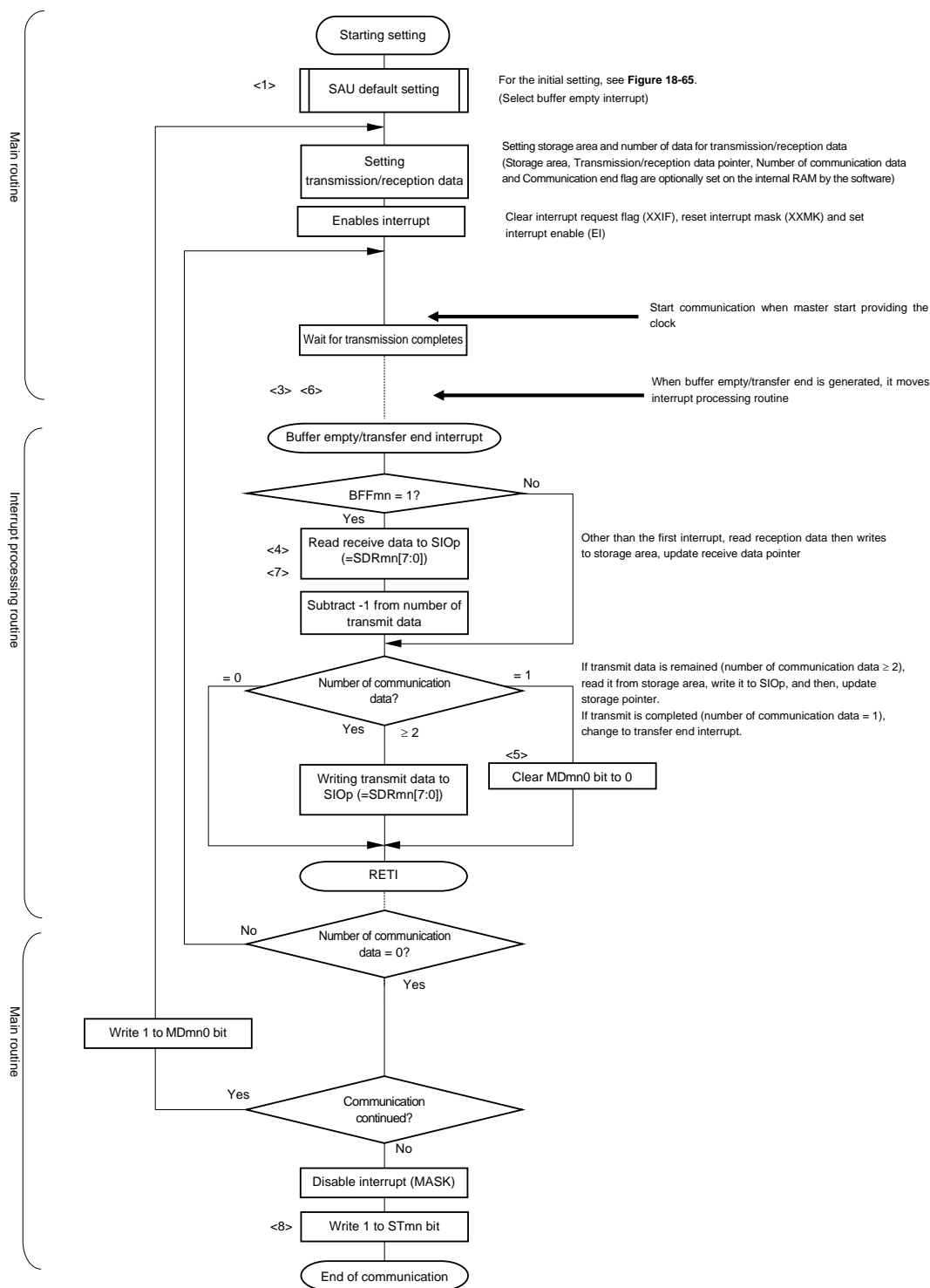
- Notes**
1. If transmit data is written to the SDRmn register while the BFFmn bit of serial status register mn (SSRmn) is 1 (valid data is stored in serial data register mn (SDRmn)), the transmit data is overwritten.
 2. The transmit data can be read by reading the SDRmn register during this period. At this time, the transfer operation is not affected.

Caution The MDmn0 bit of serial mode register mn (SMRmn) can be rewritten even during operation. However, rewrite it before transfer of the last bit is started, so that it has been rewritten before the transfer end interrupt of the last transmit data.

Remarks 1. <1> to <8> in the figure correspond to <1> to <8> in Figure 18-71 Flowchart of Slave Transmission/Reception (in Continuous Transmission/Reception Mode).

2. m: Unit number (m = 0, 1), n: Channel number (n = 0, 2), p: CSI number (p = 00, 10, 30), mn = 00, 02, 12

Figure 18-71. Flowchart of Slave Transmission/Reception (in Continuous Transmission/Reception Mode)



Caution Be sure to set transmit data to the SIOp register before the clock from the master is started.

Remark <1> to <8> in the figure correspond to <1> to <8> in Figure 18-70 Timing Chart of Slave Transmission/Reception (in Continuous Transmission/Reception Mode).

18.5.7 SNOOZE mode function

SNOOZE mode makes CSI operate reception by SCKp pin input detection while the STOP mode. Normally CSI stops communication in the STOP mode. But, using the SNOOZE mode makes reception CSI operate unless the CPU operation by detecting SCKp pin input.

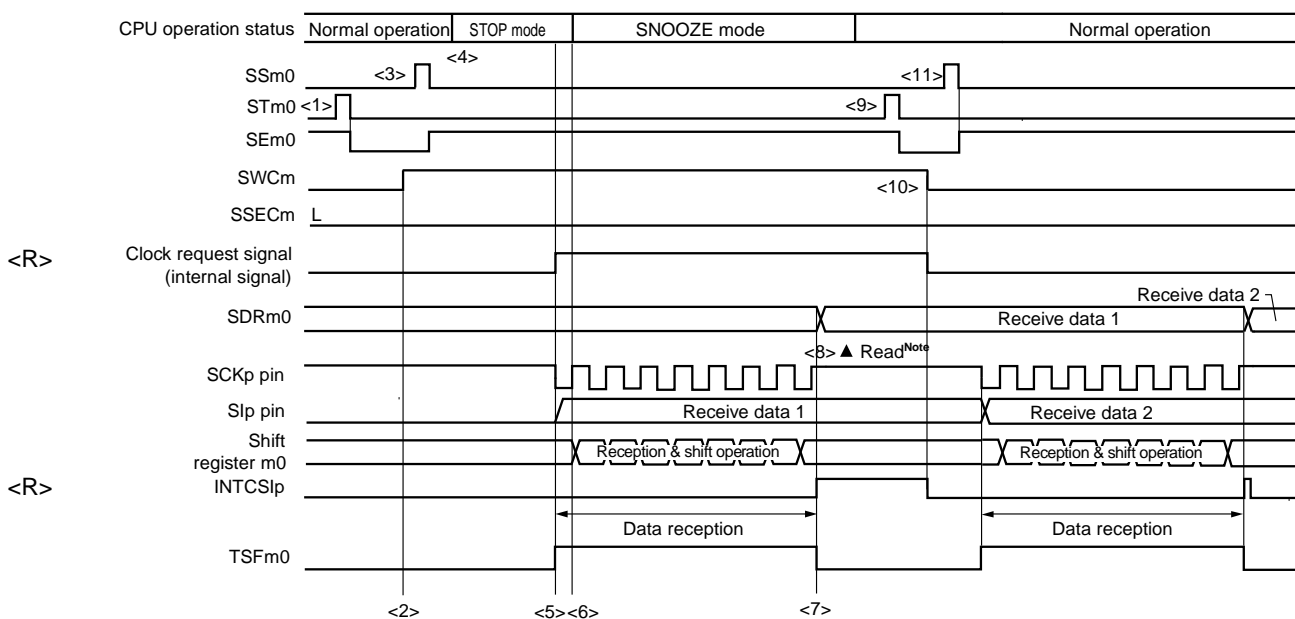
When using the CSI in SNOOZE mode, make the following setting before switching to the STOP mode (see **Figure 18-73 Flowchart of SNOOZE Mode Operation (Once Startup)** and **Figure 18-75 Flowchart of SNOOZE Mode Operation (Continuous Startup)**).

- <R> • When using the SNOOZE mode function, set the SWCm bit of serial standby control register m (SSCm) to 1 just before switching to the STOP mode. After the initial setting has been completed, set the SSm0 bit of serial channel start register m (SSm) to 1.
 - <R> • After a transition to the STOP mode, it transits to SNOOZE mode upon detection of an effective edge of the SCKp pin.
- The CSIp starts reception operations with the serial clock input of SCKp pin.

- <R> **Cautions 1. The SNOOZE mode can only be specified when the high-speed on-chip oscillator clock (f_{IH}) or the medium-speed on-chip oscillator clock (f_{IM}) is selected for f_{CLK}.**
- 2. The maximum transfer rate when using CSIp in the SNOOZE mode is 1 Mbps.**

(1) SNOOZE mode operation (once startup)

Figure 18-72. Timing Chart of SNOOZE Mode Operation (Once Startup) (Type 1: DAPm0 = 0, CKPm0 = 0)

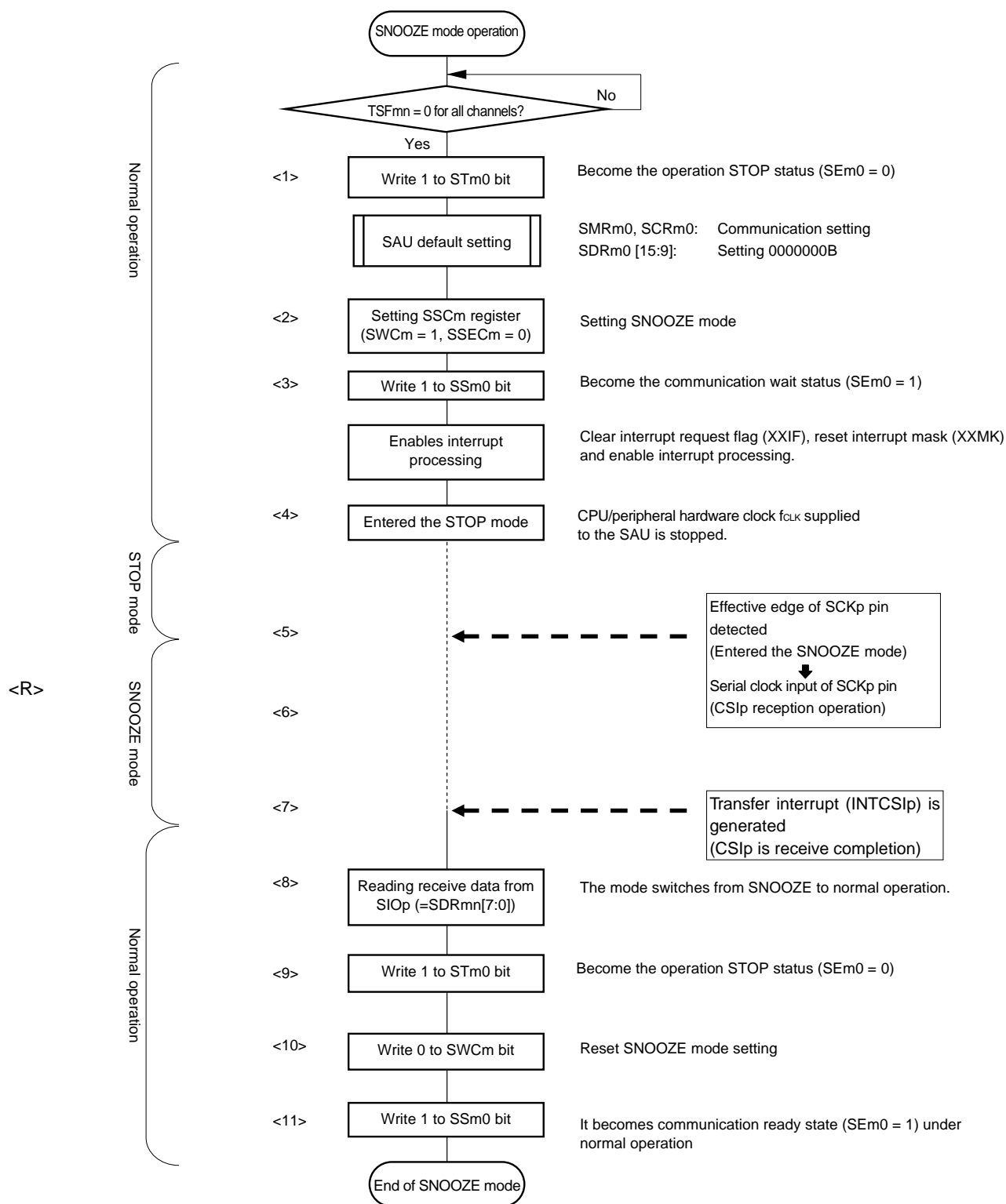


Note Only read received data while SWCm = 1 and before the next effective edge of the SCKp pin input is detected.

- Cautions 1. Before switching to the SNOOZE mode or after reception operation in the SNOOZE mode finishes, set the STm0 bit to 1 (clear the SEm0 bit, and stop the operation). And after completion the receive operation, also clearing SWCm bit to 0 (SNOOZE mode release).**
- 2. When SWCm = 1, the BFFm1 and OVfm1 flags will not change.**

- Remarks 1. <1> to <11> in the figure correspond to <1> to <11> in Figure 18-73 Flowchart of SNOOZE Mode Operation (Once Startup).**
- 2. m = 0; p = 00**

Figure 18-73. Flowchart of SNOOZE Mode Operation (Once Startup)

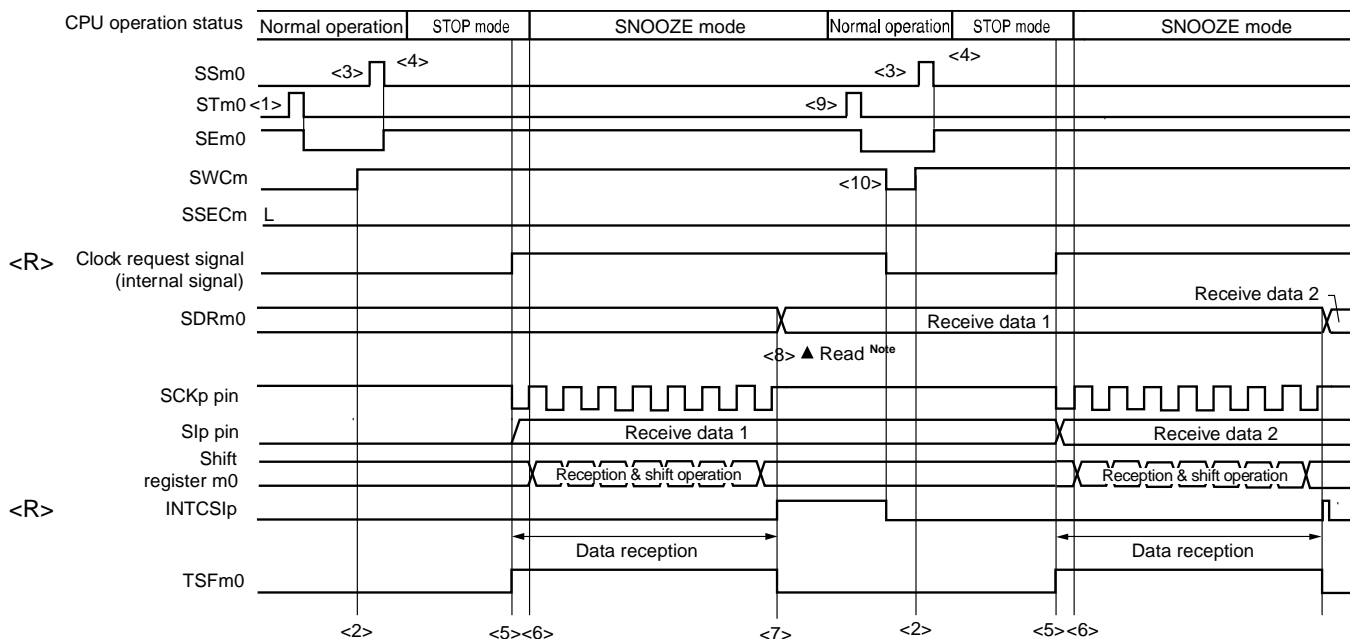


Remarks 1. <1> to <11> in the figure correspond to <1> to <11> in Figure 18-72 Timing Chart of SNOOZE Mode Operation (Once Startup).

2. m = 0; p = 00

(2) SNOOZE mode operation (continuous startup)

Figure 18-74. Timing Chart of SNOOZE Mode Operation (Continuous Startup) (Type 1: DAPm0 = 0, CKPm0 = 0)

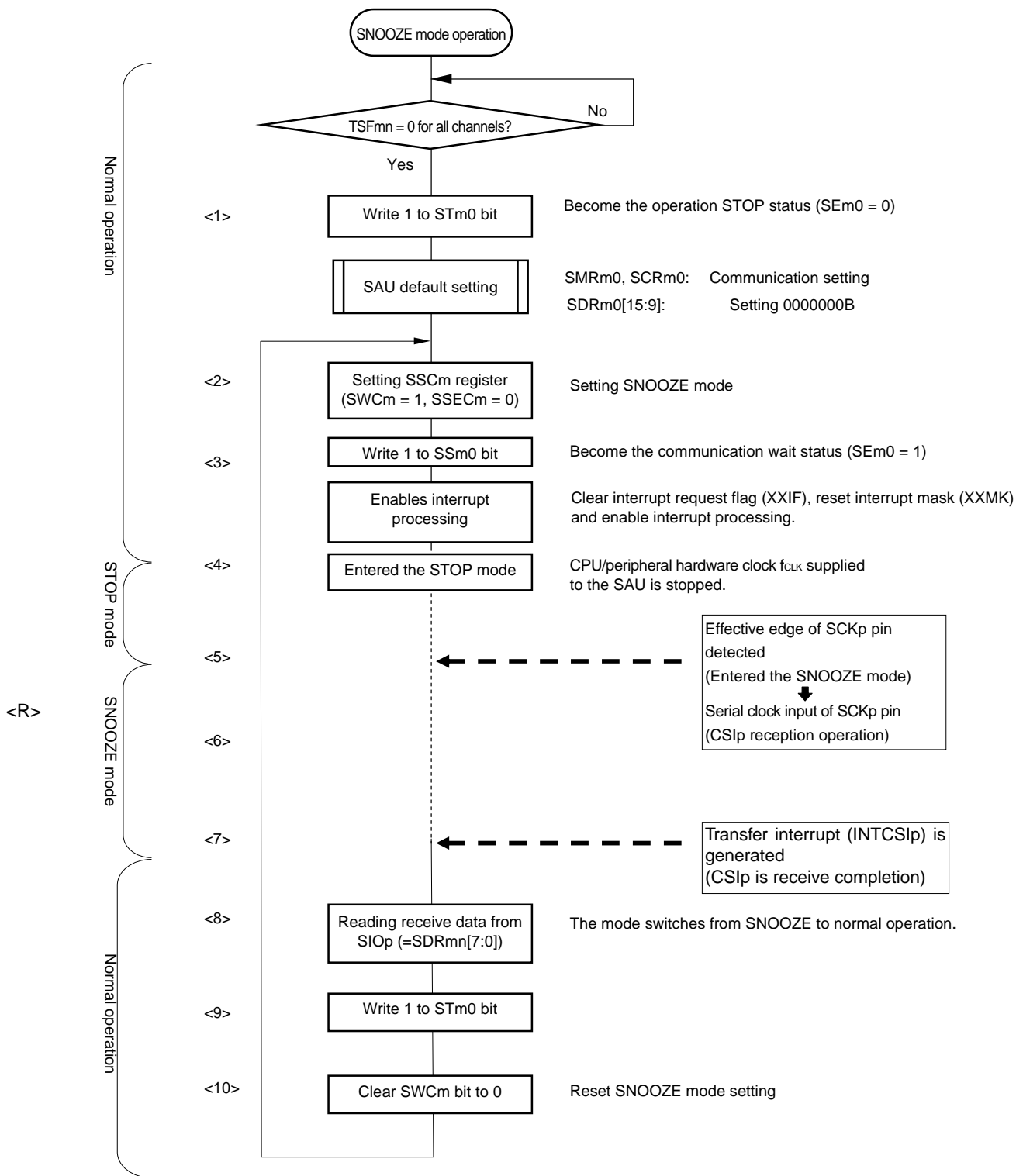


Note Only read received data while SWCm = 1 and before the next effective edge of the SCKp pin input is detected.

- Cautions 1.** Before switching to the SNOOZE mode or after reception operation in the SNOOZE mode finishes, set the STm0 bit to 1 (clear the SEm0 bit, and stop the operation). And after completion the receive operation, also clearing SWCm bit to 0 (SNOOZE release).
- 2.** When SWCm = 1, the BFFm1 and OVFM1 flags will not change.

- Remarks 1.** <1> to <10> in the figure correspond to <1> to <10> in Figure 18-75 Flowchart of SNOOZE Mode Operation (Continuous Startup).
- 2.** m = 0; p = 00

Figure 18-75. Flowchart of SNOOZE Mode Operation (Continuous Startup)



Remarks 1. <1> to <10> in the figure correspond to <1> to <10> in Figure 18-74 Timing Chart of SNOOZE Mode Operation (Continuous Startup).

2. m = 0; p = 00

18.5.8 Calculating transfer clock frequency

The transfer clock frequency for 3-wire serial I/O (CSI00, CSI10, CSI30) communication can be calculated by the following expressions.

(1) Master

$$\text{(Transfer clock frequency)} = \{\text{Operation clock (}f_{\text{MCK}}\text{) frequency of target channel}\} \div (\text{SDRmn}[15:9] + 1) \div 2 \text{ [Hz]}$$

(2) Slave

$$\text{(Transfer clock frequency)} = \{\text{Frequency of serial clock (SCK) supplied by master}\}^{\text{Note}} \text{ [Hz]}$$

Note The permissible maximum transfer clock frequency is $f_{\text{MCK}}/6$.

Remark The value of SDRmn[15:9] is the value of bits 15 to 9 of serial data register mn (SDRmn) (0000000B to 1111111B) and therefore is 0 to 127.

The operation clock (f_{MCK}) is determined by serial clock select register m (SPSm) and bit 15 (CKSmn) of serial mode register mn (SMRmn).

Table 18-2. Selection of Operation Clock For 3-Wire Serial I/O

SMRmn Register	SPSm Register								Operation Clock (f_{CLK}) ^{Note}	
	CKSmn	PRSm13	PRSm12	PRSm11	PRSm10	PRSm03	PRSm02	PRSm01	PRSm00	$f_{CLK} = 24 \text{ MHz}$
0	X	X	X	X	0	0	0	0	f_{CLK}	24 MHz
	X	X	X	X	0	0	0	1	$f_{CLK}/2$	12 MHz
	X	X	X	X	0	0	1	0	$f_{CLK}/2^2$	6 MHz
	X	X	X	X	0	0	1	1	$f_{CLK}/2^3$	3 MHz
	X	X	X	X	0	1	0	0	$f_{CLK}/2^4$	1.5 MHz
	X	X	X	X	0	1	0	1	$f_{CLK}/2^5$	750 kHz
	X	X	X	X	0	1	1	0	$f_{CLK}/2^6$	375 kHz
	X	X	X	X	0	1	1	1	$f_{CLK}/2^7$	187.5 kHz
	X	X	X	X	1	0	0	0	$f_{CLK}/2^8$	93.8 kHz
	X	X	X	X	1	0	0	1	$f_{CLK}/2^9$	46.9 kHz
	X	X	X	X	1	0	1	0	$f_{CLK}/2^{10}$	23.4 kHz
	X	X	X	X	1	0	1	1	$f_{CLK}/2^{11}$	11.7 kHz
	X	X	X	X	1	1	0	0	$f_{CLK}/2^{12}$	5.86 kHz
	X	X	X	X	1	1	0	1	$f_{CLK}/2^{13}$	2.93 kHz
	X	X	X	X	1	1	1	0	$f_{CLK}/2^{14}$	1.46 kHz
X	X	X	X	1	1	1	1	$f_{CLK}/2^{15}$	732 Hz	
1	0	0	0	0	X	X	X	X	f_{CLK}	24 MHz
	0	0	0	1	X	X	X	X	$f_{CLK}/2$	12 MHz
	0	0	1	0	X	X	X	X	$f_{CLK}/2^2$	6 MHz
	0	0	1	1	X	X	X	X	$f_{CLK}/2^3$	3 MHz
	0	1	0	0	X	X	X	X	$f_{CLK}/2^4$	1.5 MHz
	0	1	0	1	X	X	X	X	$f_{CLK}/2^5$	750 kHz
	0	1	1	0	X	X	X	X	$f_{CLK}/2^6$	375 kHz
	0	1	1	1	X	X	X	X	$f_{CLK}/2^7$	187.5 kHz
	1	0	0	0	X	X	X	X	$f_{CLK}/2^8$	93.8 kHz
	1	0	0	1	X	X	X	X	$f_{CLK}/2^9$	46.9 kHz
	1	0	1	0	X	X	X	X	$f_{CLK}/2^{10}$	23.4 kHz
	1	0	1	1	X	X	X	X	$f_{CLK}/2^{11}$	11.7 kHz
	1	1	0	0	X	X	X	X	$f_{CLK}/2^{12}$	5.86 kHz
	1	1	0	1	X	X	X	X	$f_{CLK}/2^{13}$	2.93 kHz
	1	1	1	0	X	X	X	X	$f_{CLK}/2^{14}$	1.46 kHz
1	1	1	1	X	X	X	X	$f_{CLK}/2^{15}$	732 Hz	
Other than above									Setting prohibited	

Note When changing the clock selected for f_{CLK} (by changing the system clock control register (CKC) value), do so after having stopped (serial channel stop register m (STm) = 000FH) the operation of the serial array unit (SAU).

Remarks 1. X: Don't care

2. m: Unit number (m = 0, 1), n: Channel number (n = 0, 2), mn = 00, 02, 12

18.5.9 Procedure for processing errors that occurred during 3-wire serial I/O (CSI00, CSI10, CSI30) communication

The procedure for processing errors that occurred during 3-wire serial I/O (CSI00, CSI10, CSI30) communication is described in Figure 18-76.

Figure 18-76. Processing Procedure in Case of Overrun Error

Software Manipulation	Hardware Status	Remark
Reads serial data register mn (SDRmn).	→ The BFFmn bit of the SSRmn register is set to 0 and channel n is enabled to receive data.	This is to prevent an overrun error if the next reception is completed during error processing.
Reads serial status register mn (SSRmn).		Error type is identified and the read value is used to clear error flag.
Writes 1 to serial flag clear trigger register mn (SIRmn).	→ Error flag is cleared.	Error can be cleared only during reading, by writing the value read from the SSRmn register to the SIRmn register without modification.

Remark m: Unit number (m = 0, 1), n: Channel number (n = 0, 2), mn = 00, 02, 12

18.6 Operation of UART (UART0 to UART3) Communication

This is a start-stop synchronization function using two lines: serial/data transmission (TxD) and serial/data reception (RxD) lines. By using these two communication lines, each data frame, which consist of a start bit, data, parity bit, and stop bit, is transferred asynchronously (using the internal baud rate) between the microcontroller and the other communication party. Full-duplex asynchronous communication UART communication can be performed by using a channel dedicated to transmission (even-numbered channel) and a channel dedicated to reception (odd-numbered channel). The LIN-bus can be implemented by using UART0, timer array unit 0 (channel 7), and an external interrupt (INTP0).

[Data transmission/reception]

- Data length of 7, 8, or 9 bits^{Note}
- Select the MSB/LSB first
- Level setting of transmit/receive data (selecting whether to reverse the level)
- Parity bit appending and parity check functions
- Stop bit appending, stop bit check function

[Interrupt function]

- Transfer end interrupt/buffer empty interrupt
- Error interrupt in case of framing error, parity error, or overrun error

[Error detection flag]

- Framing error, parity error, or overrun error

In addition, UART0 reception supports the SNOOZE mode. When RxD pin input is detected while in the STOP mode, the SNOOZE mode makes data reception that does not require the CPU possible. Only UART0 can be specified for the reception baud rate adjustment function.

The LIN-bus is accepted in UART0 (channels 0 and 1 of unit 0).

[LIN-bus functions]

- Wakeup signal detection
- Break field (BF) detection
- Sync field measurement, baud rate calculation

} Using the external interrupt (INTP0) and timer array unit 0 (channel 7)

Note Only UART0 can be specified for the 9-bit data length.

UART0 uses channels 0 and 1 of SAU0.

UART1 uses channels 2 and 3 of SAU0.

UART2 uses channels 0 and 1 of SAU1.

UART3 uses channels 2 and 3 of SAU1.

Unit	Channel	Used as CSI	Used as UART	Used as Simplified I ² C
0	0	CSI00	UART0 (supporting LIN-bus)	IIC00
	1	–		–
	2	CSI10	UART1	IIC10
	3	–		–
1	0	–	UART2 (supporting IrDA)	–
	1	–		–
	2	CSI30 ^{Note}	UART3 ^{Note}	IIC30 ^{Note}
	3	–		–

Note 100-pin products only

Select any function for each channel. Only the selected function is possible. If UART0 is selected for channels 0 and 1 of unit 0, for example, these channels cannot be used for CSI00. At this time, however, channel 2, 3, or other channels of the same unit can be used for a function other than UART0, such as UART1 and IIC10.

Caution When using a serial array unit for UART, both the transmitter side (even-numbered channel) and the receiver side (odd-numbered channel) can only be used for UART.

UART performs the following four types of communication operations.

- UART transmission (See 18.6.1.)
- UART reception (See 18.6.2.)
- LIN transmission (UART0 only) (See 18.7.1.)
- LIN reception (UART0 only) (See 18.7.2.)

18.6.1 UART transmission

UART transmission is an operation to transmit data from the RL78 microcontroller to another device asynchronously (start-stop synchronization).

Of two channels used for UART, the even channel is used for UART transmission.

UART	UART0	UART1	UART2	UART3
Target channel	Channel 0 of SAU0	Channel 2 of SAU0	Channel 0 of SAU1	Channel 2 of SAU1
Pins used	TxD0	TxD1	TxD2	TxD3
Interrupt	INTST0	INTST1	INTST2	INTST3
	Transfer end interrupt (in single-transfer mode) or buffer empty interrupt (in continuous transfer mode) can be selected.			
Error detection flag	None			
Transfer data length	7, 8, or 9 bits ^{Note 1}			
Transfer rate	Max. $f_{MCK}/6$ [bps] (SDRmn[15:9] = 2 or more), Min. $f_{CLK}/(2 \times 2^{15} \times 128)$ [bps] ^{Note 2}			
Data phase	Non-reverse output (default: high level) Reverse output (default: low level)			
Parity bit	The following selectable <ul style="list-style-type: none"> • No parity bit • Appending 0 parity • Appending even parity • Appending odd parity 			
Stop bit	The following selectable <ul style="list-style-type: none"> • Appending 1 bit • Appending 2 bits 			
Data direction	MSB or LSB first			

Notes 1. Only UART0 can be specified for the 9-bit data length.

2. Use this operation within a range that satisfies the conditions above and the peripheral functions characteristics in the electrical specifications (see **CHAPTER 41 ELECTRICAL SPECIFICATIONS**).

Remarks 1. f_{MCK} : Operation clock frequency of target channel

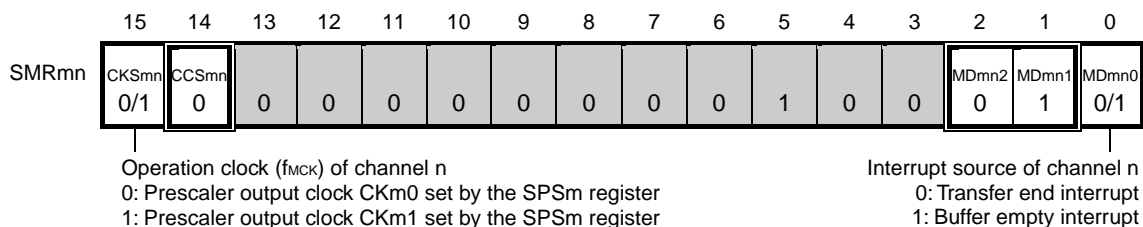
f_{CLK} : System clock frequency

2. m: Unit number (m = 0, 1), n: Channel number (n = 0, 2), mn = 00, 02, 10, 12

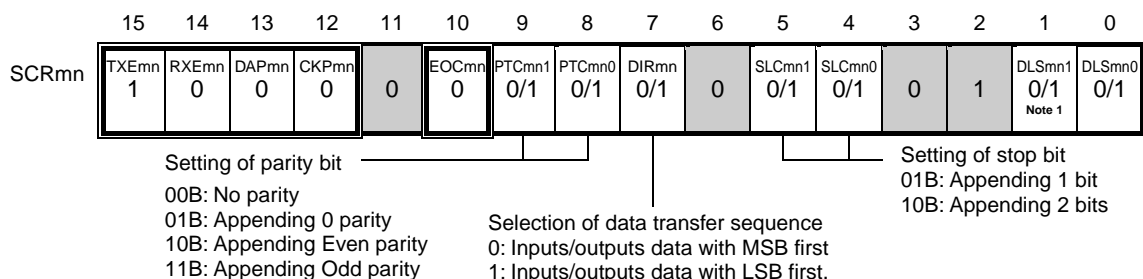
(1) Register setting

Figure 18-77. Example of Contents of Registers for UART Transmission of UART (UART0 to UART3) (1/2)

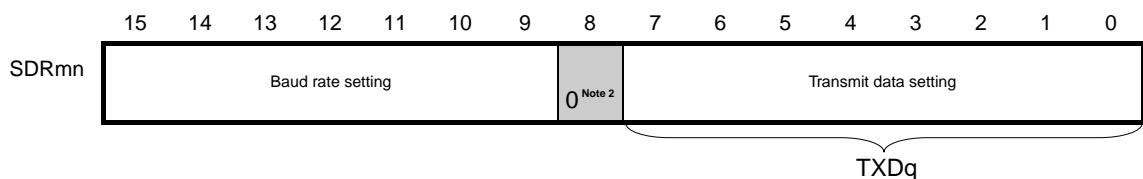
(a) Serial mode register mn (SMRmn)



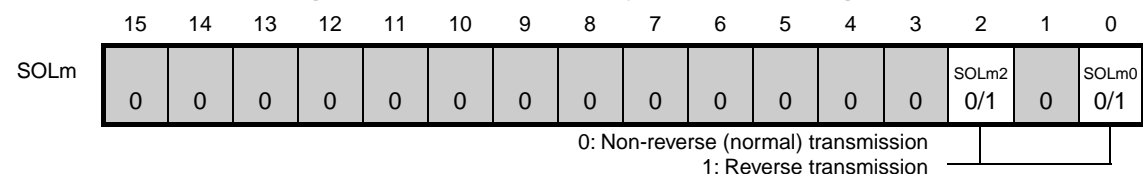
(b) Serial communication operation setting register mn (SCRmn)



(c) Serial data register mn (SDRmn) (lower 8 bits: TXDq)



(d) Serial output level register m (SOLm) ... Sets only the bits of the target channel.

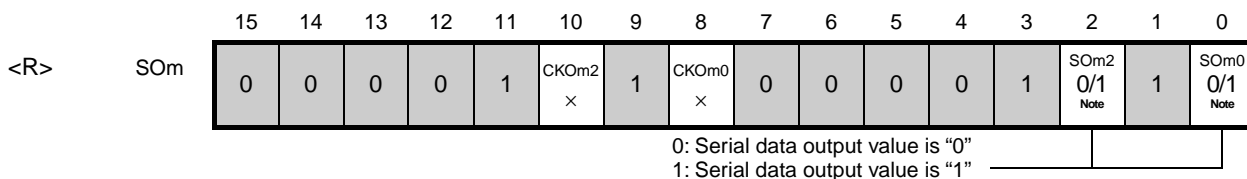


- <R> **Notes** 1. Only provided for the SCR00 and SCR01 registers. This bit is fixed to 1 for the other registers.
 2. When UART0 performs 9-bit communication, bits 0 to 8 of the SDRm0 register are used as the transmission data specification area. Only UART0 can be specified for the 9-bit data length.

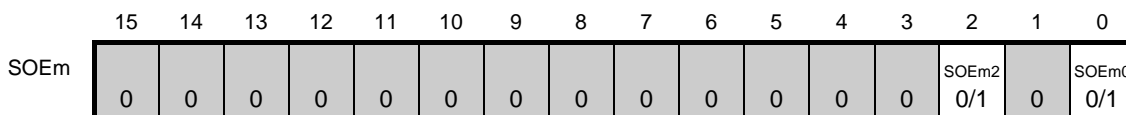
- Remarks** 1. m: Unit number (m = 0, 1), n: Channel number (n = 0, 2), q: UART number (q = 0 to 3), mn = 00, 02, 10, 12
 2. □: Setting is fixed in the UART transmission mode, ■: Setting disabled (set to the initial value)
 ×: Bit that cannot be used in this mode (set to the initial value when not used in any mode)
 0/1: Set to 0 or 1 depending on the usage of the user

Figure 18-77. Example of Contents of Registers for UART Transmission of UART (UART0 to UART3) (2/2)

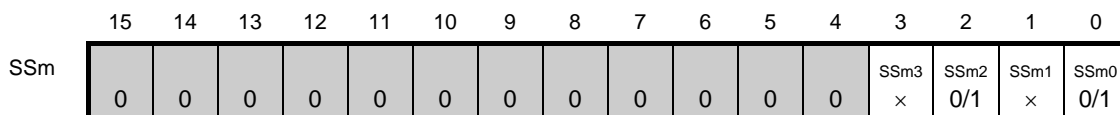
(e) Serial output register m (SOM) ... Sets only the bits of the target channel.



(f) Serial output enable register m (SOEm) ... Sets only the bits of the target channel to 1.



(g) Serial channel start register m (SSm) ... Sets only the bits of the target channel to 1.



Note Before transmission is started, be sure to set to 1 when the SOLmn bit of the target channel is set to 0, and set to 0 when the SOLmn bit of the target channel is set to 1. The value varies depending on the communication data during communication operation.

- Remarks**
1. m: Unit number (m = 0, 1), n: Channel number (n = 0, 3), q: UART number (q = 0 to 3)
mn = 00, 02, 10, 12
 2. : Setting disabled (set to the initial value)
 ×: Bit that cannot be used in this mode (set to the initial value when not used in any mode)
 0/1: Set to 0 or 1 depending on the usage of the user

(2) Operation procedure

Figure 18-78. Initial Setting Procedure for UART Transmission

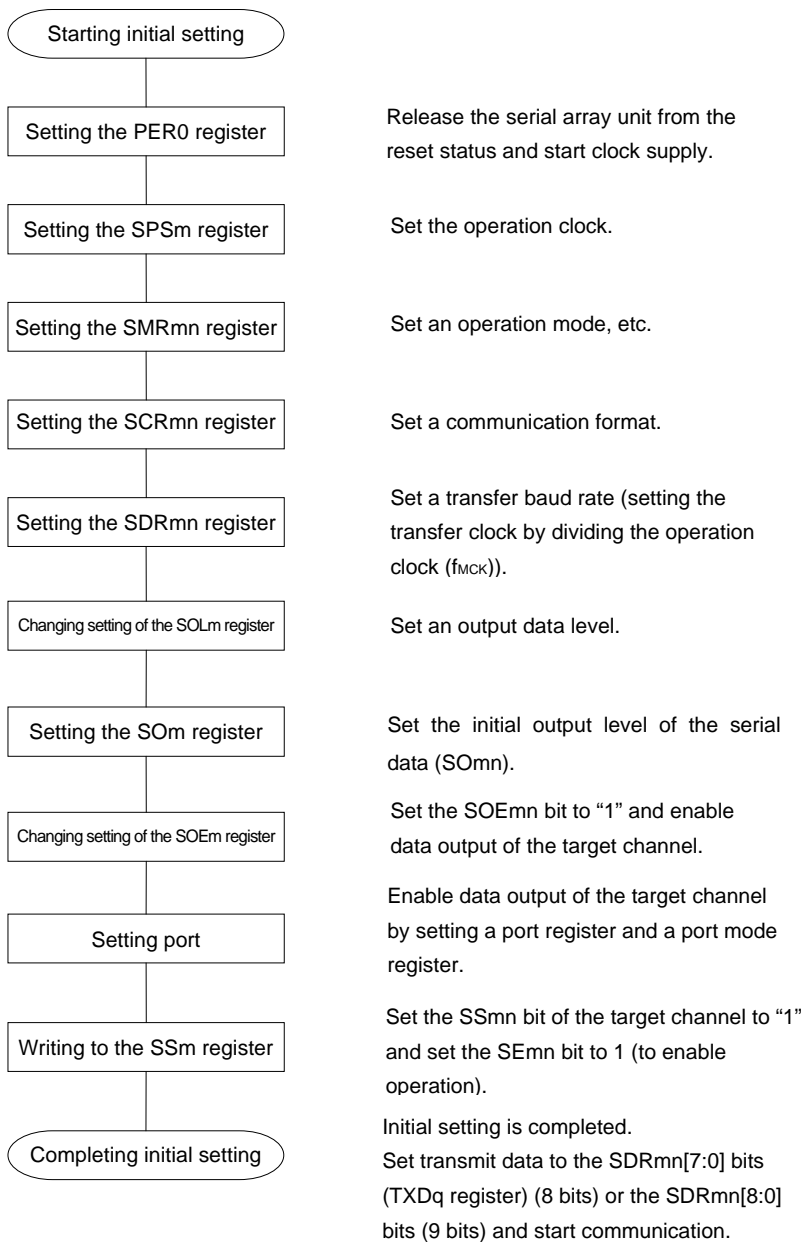


Figure 18-79. Procedure for Stopping UART Transmission

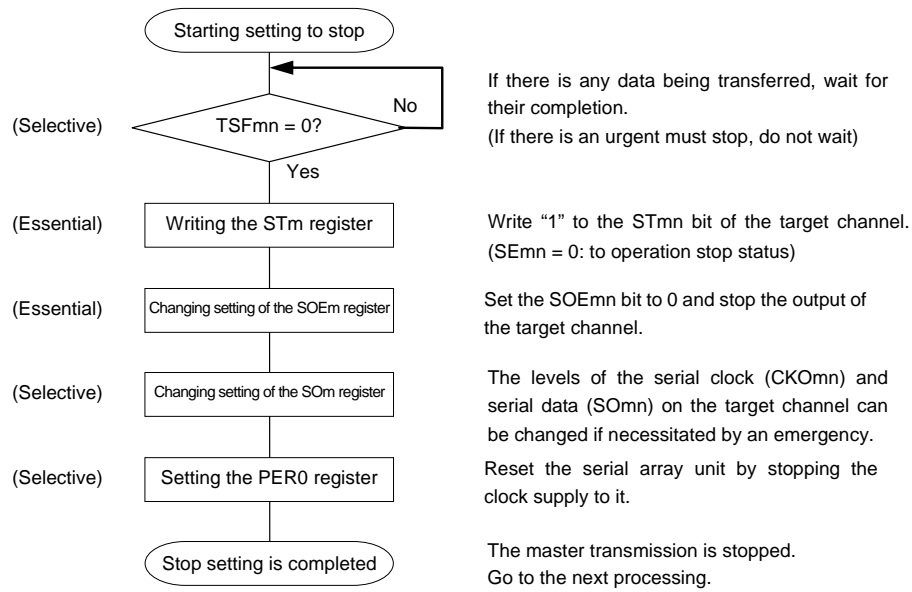
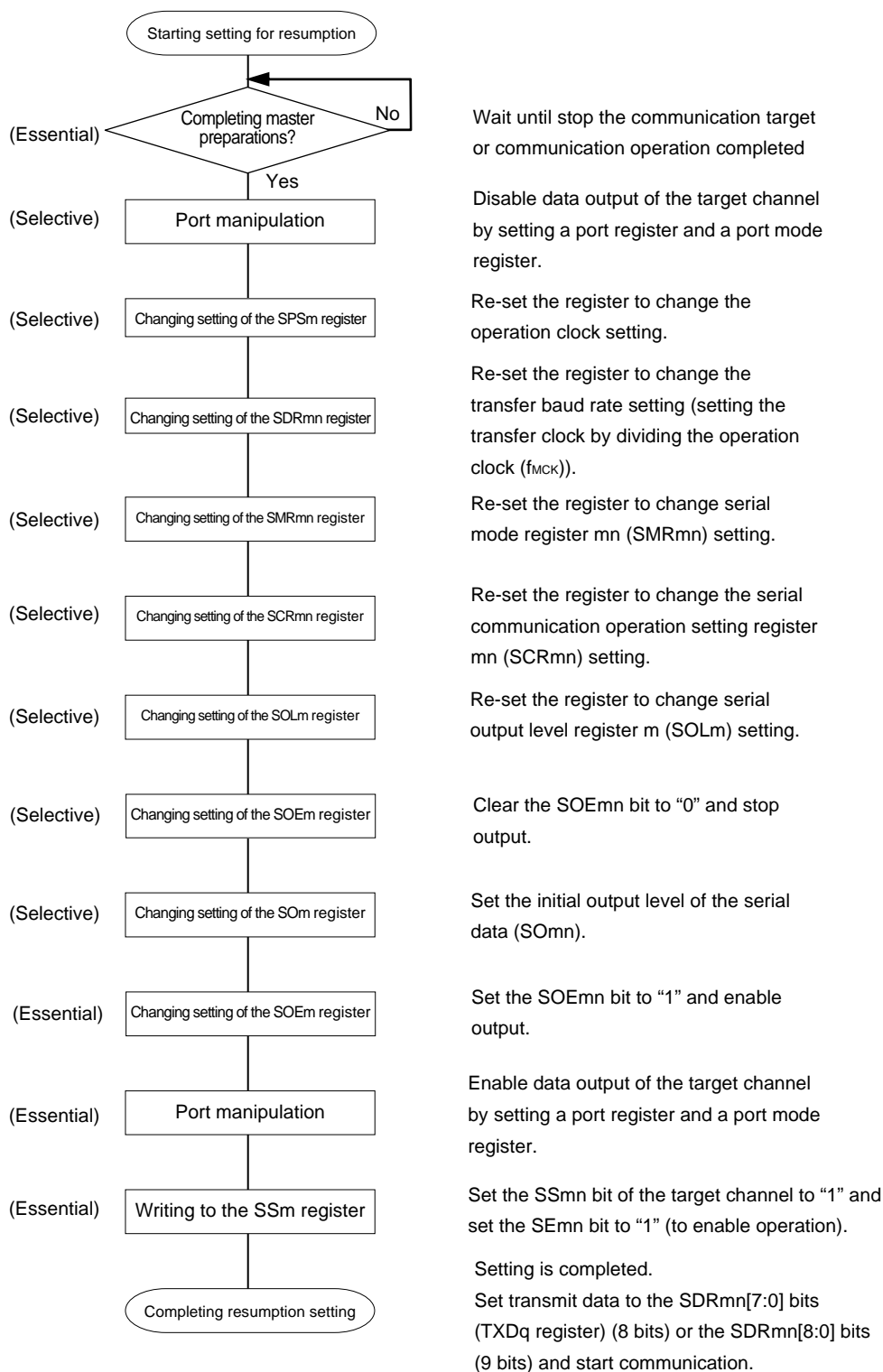


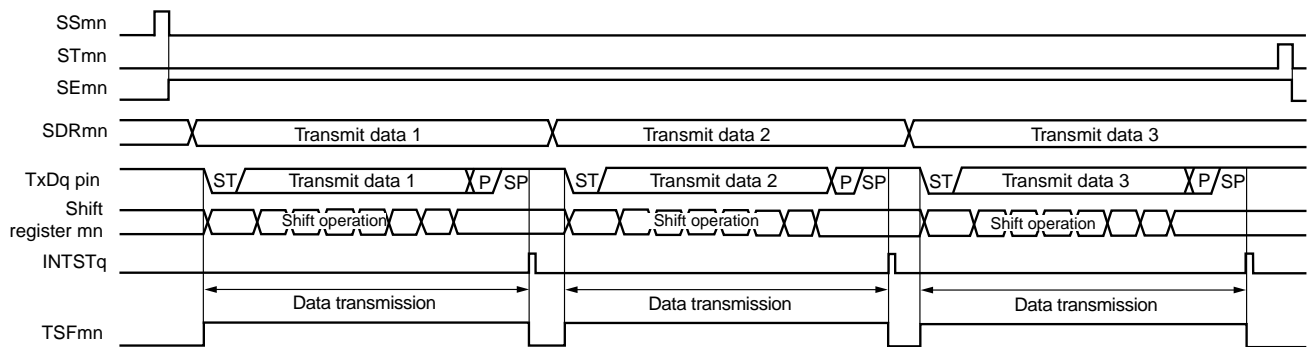
Figure 18-80. Procedure for Resuming UART Transmission



Remark If PER0 is rewritten while stopping the master transmission and the clock supply is stopped, wait until the transmission target stops or transmission finishes, and then perform initialization instead of restarting the transmission.

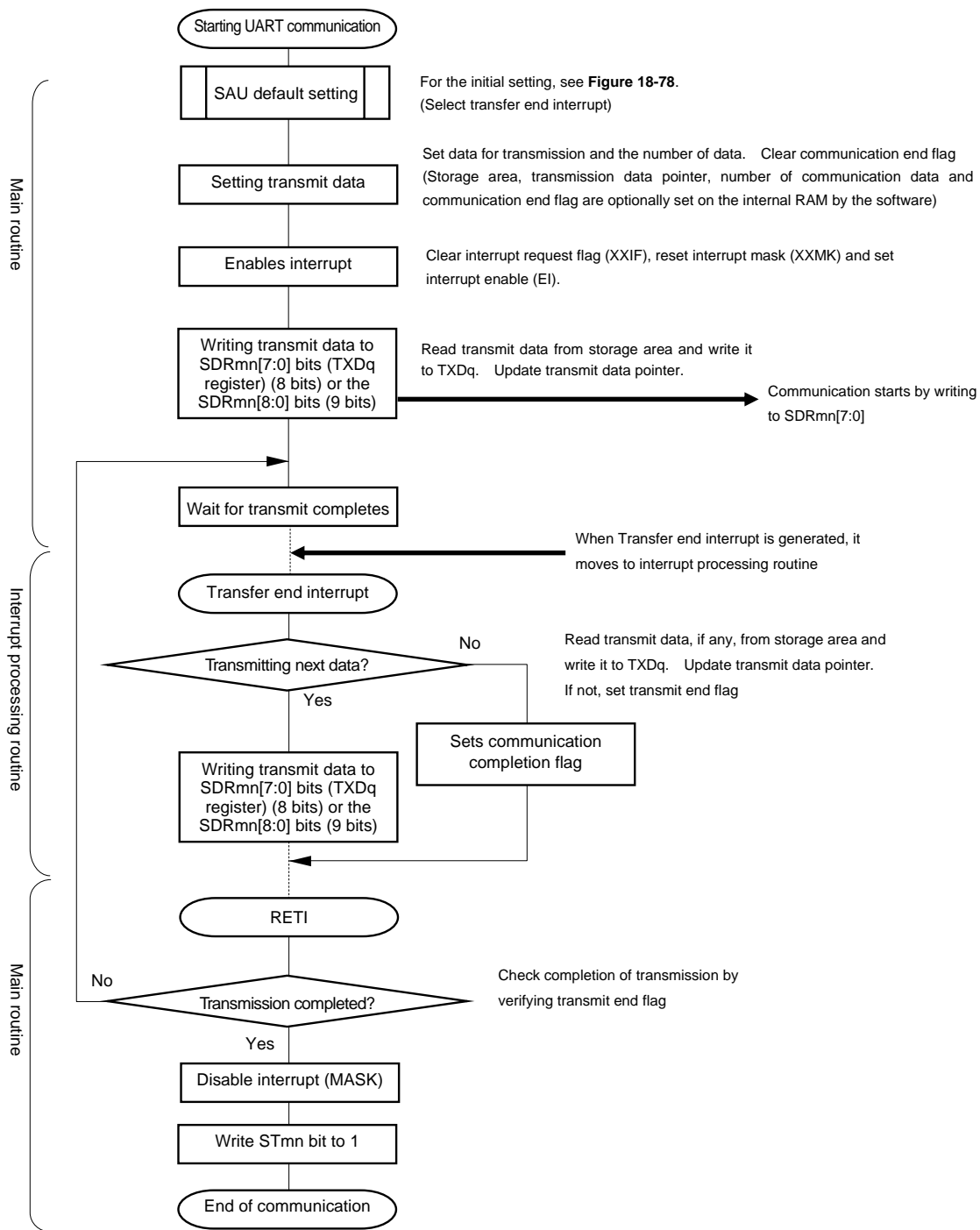
(3) Processing flow (in single-transmission mode)

Figure 18-81. Timing Chart of UART Transmission (in Single-Transmission Mode)



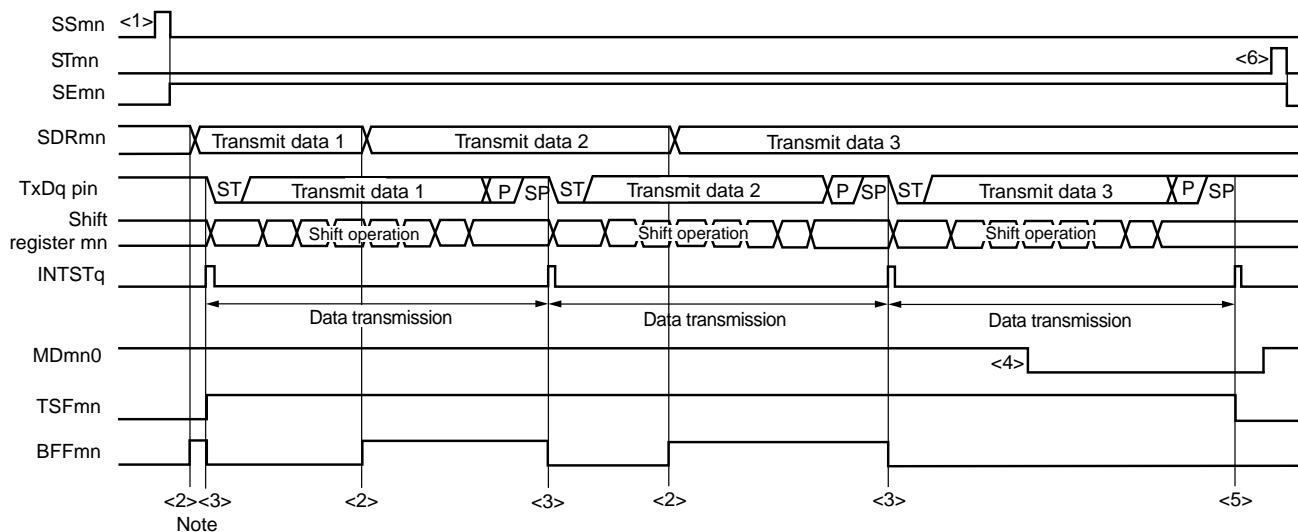
Remark m: Unit number (m = 0, 1), n: Channel number (n = 0, 2), q: UART number (q = 0 to 3)
 mn = 00, 02, 10, 12

Figure 18-82. Flowchart of UART Transmission (in Single-Transmission Mode)



(4) Processing flow (in continuous transmission mode)

Figure 18-83. Timing Chart of UART Transmission (in Continuous Transmission Mode)

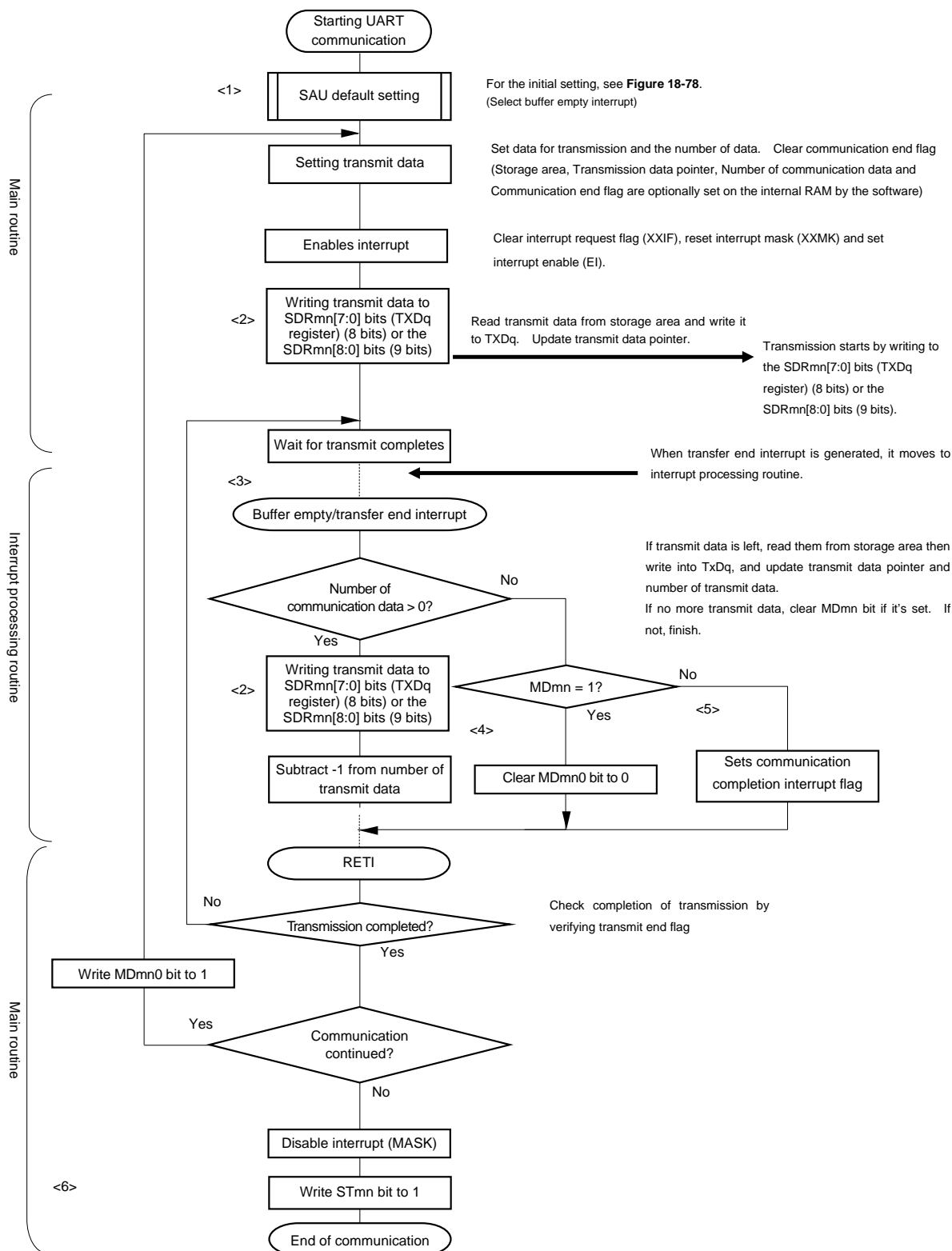


Note If transmit data is written to the SDRmn register while the BFFmn bit of serial status register mn (SSRmn) is 1 (valid data is stored in serial data register mn (SDRmn)), the transmit data is overwritten.

Caution The MDmn0 bit of serial mode register mn (SSRmn) can be rewritten even during operation. However, rewrite it before transfer of the last bit is started, so that it will be rewritten before the transfer end interrupt of the last transmit data.

Remark m: Unit number (m = 0, 1), n: Channel number (n = 0, 2), q: UART number (q = 0 to 3)
mn = 00, 02, 10, 12

Figure 18-84. Flowchart of UART Transmission (in Continuous Transmission Mode)



Remark <1> to <6> in the figure correspond to <1> to <6> in Figure 18-83 Timing Chart of UART Transmission (in Continuous Transmission Mode).

18.6.2 UART reception

UART reception is an operation wherein the RL78 microcontroller asynchronously receives data from another device (start-stop synchronization).

For UART reception, the odd-number channel of the two channels used for UART is used. The SMR register of both the odd- and even-numbered channels must be set.

UART	UART0	UART1	UART2	UART3
Target channel	Channel 1 of SAU0	Channel 3 of SAU0	Channel 1 of SAU1	Channel 3 of SAU1
Pins used	RxD0	RxD1	RxD2	RxD3
Interrupt	INTSR0	INTSR1	INTSR2	INTSR3
	Transfer end interrupt only (Setting the buffer empty interrupt is prohibited.)			
Error interrupt	INTSRE0	INTSRE1	INTSRE2	INTSRE3
Error detection flag	<ul style="list-style-type: none"> • Framing error detection flag (FEFmn) • Parity error detection flag (PEFmn) • Overrun error detection flag (OVFmn) 			
Transfer data length	7, 8 or 9 bits ^{Note 1}			
Transfer rate	Max. $f_{MCK}/6$ [bps] (SDRmn[15:9] = 2 or more), Min. $f_{CLK}/(2 \times 2^{15} \times 128)$ [bps] ^{Note 2}			
Data phase	Non-reverse output (default: high level) Reverse output (default: low level)			
Parity bit	The following selectable <ul style="list-style-type: none"> • No parity bit (no parity check) • No parity judgment (0 parity) • Even parity check • Odd parity check 			
Stop bit	Appending 1 bit			
Data direction	MSB or LSB first			

Notes 1. Only UART0 can be specified for the 9-bit data length.

2. Use this operation within a range that satisfies the conditions above and the peripheral functions characteristics in the electrical specifications (see **CHAPTER 41 ELECTRICAL SPECIFICATIONS**).

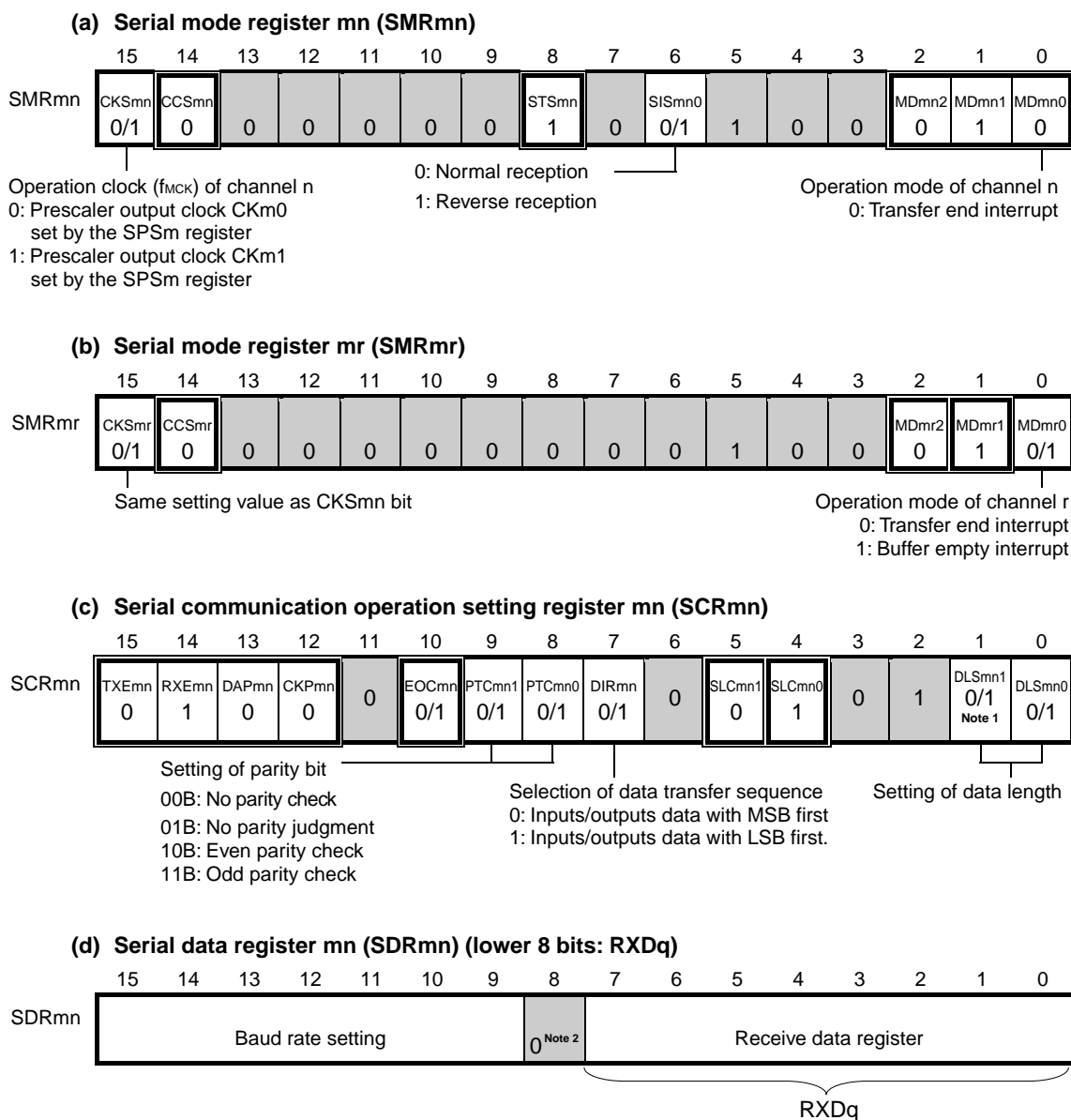
Remarks 1. f_{MCK} : Operation clock frequency of target channel

f_{CLK} : System clock frequency

2. m: Unit number (m = 0, 1), n: Channel number (n = 1, 3), mn = 01, 03, 11, 13

(1) Register setting

Figure 18-85. Example of Contents of Registers for UART Reception of UART (UART0 to UART3) (1/2)



- <R> **Notes 1.** Only provided for the SCR00 and SCR01 registers. This bit is fixed to 1 for the other registers.
2. When UART performs 9-bit communication, bits 0 to 8 of the SDRm1 register are used as the transmission data specification area. Only UART0 can be specified for the 9-bit data length.

Caution For the UART reception, be sure to set the SMRmr register of channel r to UART transmission mode that is to be paired with channel n.

- Remarks 1.** m: Unit number (m = 0, 1), n: Channel number (n = 1, 3), mn = 01, 03, 11, 13
 r: Channel number (r = n - 1), q: UART number (q = 0 to 3)
2. □: Setting is fixed in the UART reception mode, ■: Setting disabled (set to the initial value)
 ×: Bit that cannot be used in this mode (set to the initial value when not used in any mode)
 0/1: Set to 0 or 1 depending on the usage of the user

Figure 18-85. Example of Contents of Registers for UART Reception of UART (UART0 to UART3) (2/2)

(e) Serial output register m (SOm) ... The register that not used in this mode.

<R>

	15	14	13	12	11	10	9	8	7	6	5	4	3	2	1	0
SOm	0	0	0	0	1	CKOm2 ×	1	CKOm0 ×	0	0	0	0	1	SOm2 ×	1	SOm0 ×

(f) Serial output enable register m (SOEm) ...The register that not used in this mode.

	15	14	13	12	11	10	9	8	7	6	5	4	3	2	1	0
SOEm	0	0	0	0	0	0	0	0	0	0	0	0	0	SOEm2 ×	0	SOEm0 ×

(g) Serial channel start register m (SSm) ... Sets only the bits of the target channel is 1.

<R>

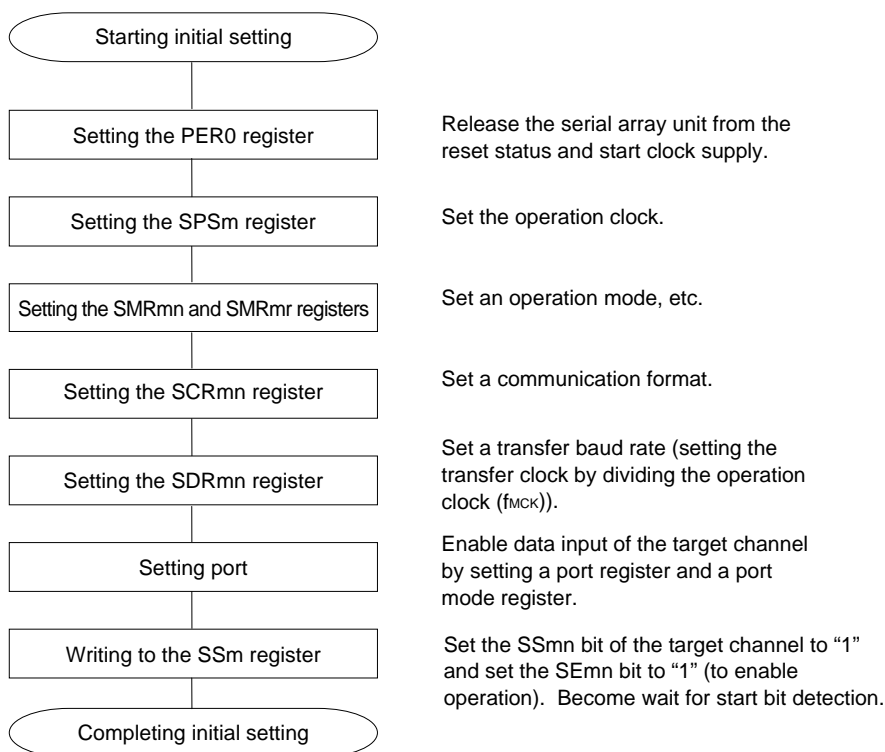
	15	14	13	12	11	10	9	8	7	6	5	4	3	2	1	0
SSm	0	0	0	0	0	0	0	0	0	0	0	0	SSm3 0/1	SSm2 ×	SSm1 0/1	SSm0 ×

Caution For the UART reception, be sure to set the SMRmr register of channel r to UART Transmission mode that is to be paired with channel n.

- Remarks**
- m: Unit number (m = 0, 1), n: Channel number (n = 1, 3), mn = 01, 03, 11, 13
r: Channel number (r = n - 1), q: UART number (q = 0 to 3)
 - : Setting is fixed in the UART reception mode, : Setting disabled (set to the initial value)
 ×: Bit that cannot be used in this mode (set to the initial value when not used in any mode)
 0/1: Set to 0 or 1 depending on the usage of the user

(2) Operation procedure

Figure 18-86. Initial Setting Procedure for UART Reception



Caution Set the RXEmn bit of SCRmn register to 1, and then be sure to set SSmn to 1 after 4 or more f_{MCK} clocks have elapsed.

Figure 18-87. Procedure for Stopping UART Reception

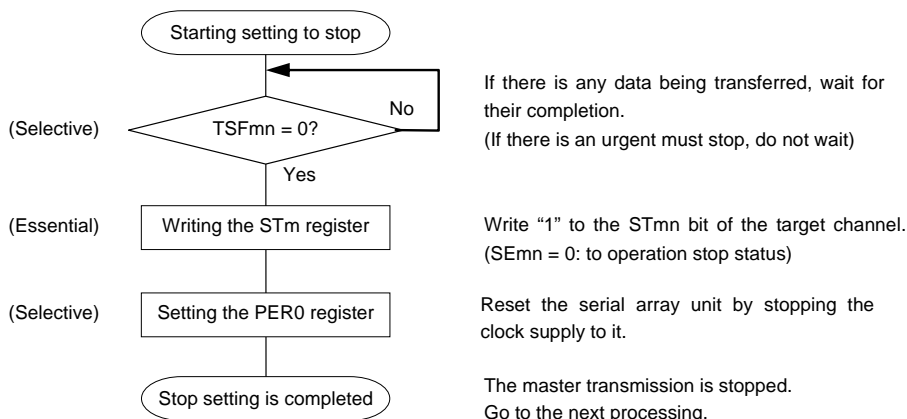
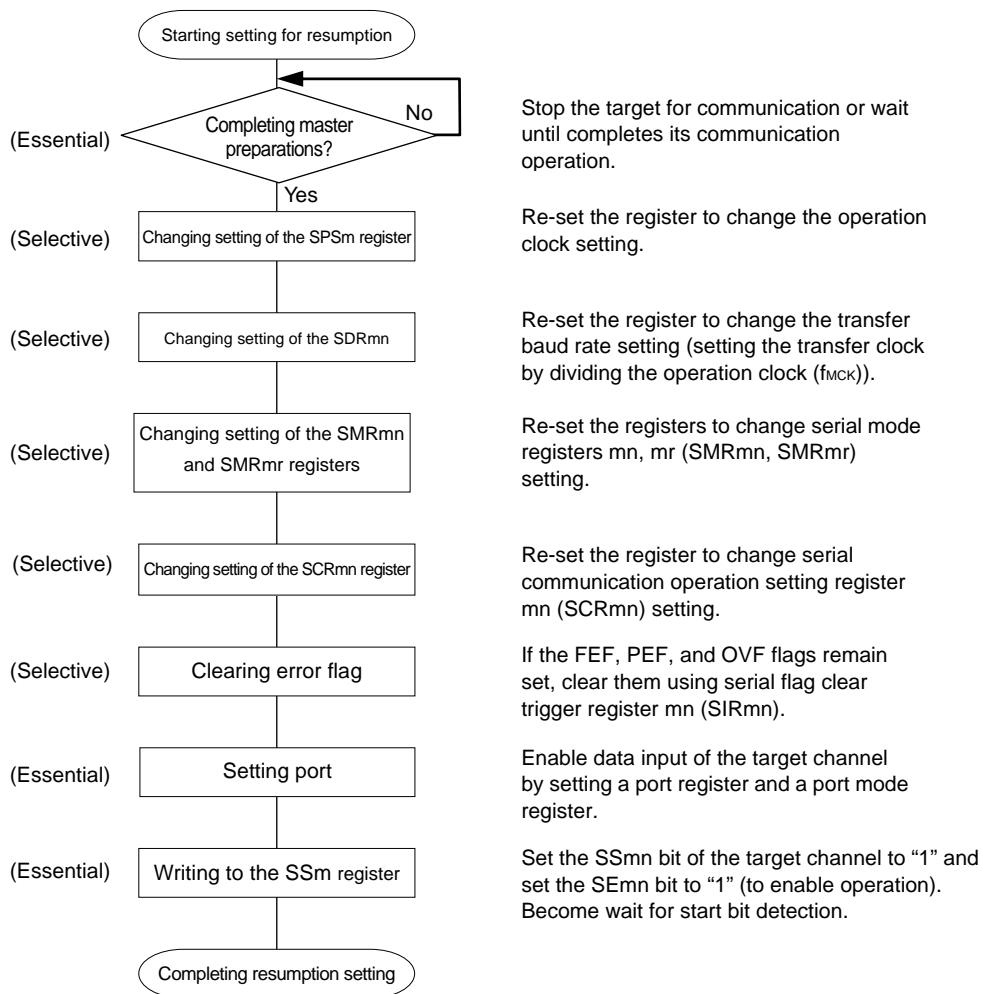


Figure 18-88. Procedure for Resuming UART Reception

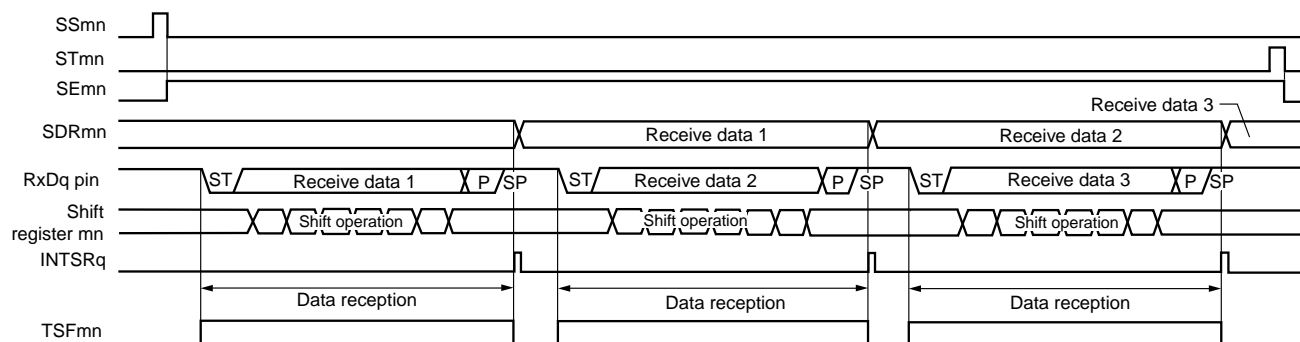


Caution After is set RXEmn bit to 1 of SCRmn register, set the SSmn = 1 from an interval of at least four clocks of fmck.

Remark If PER0 is rewritten while stopping the master transmission and the clock supply is stopped, wait until the transmission target (slave) stops or transmission finishes, and then perform initialization instead of restarting the transmission.

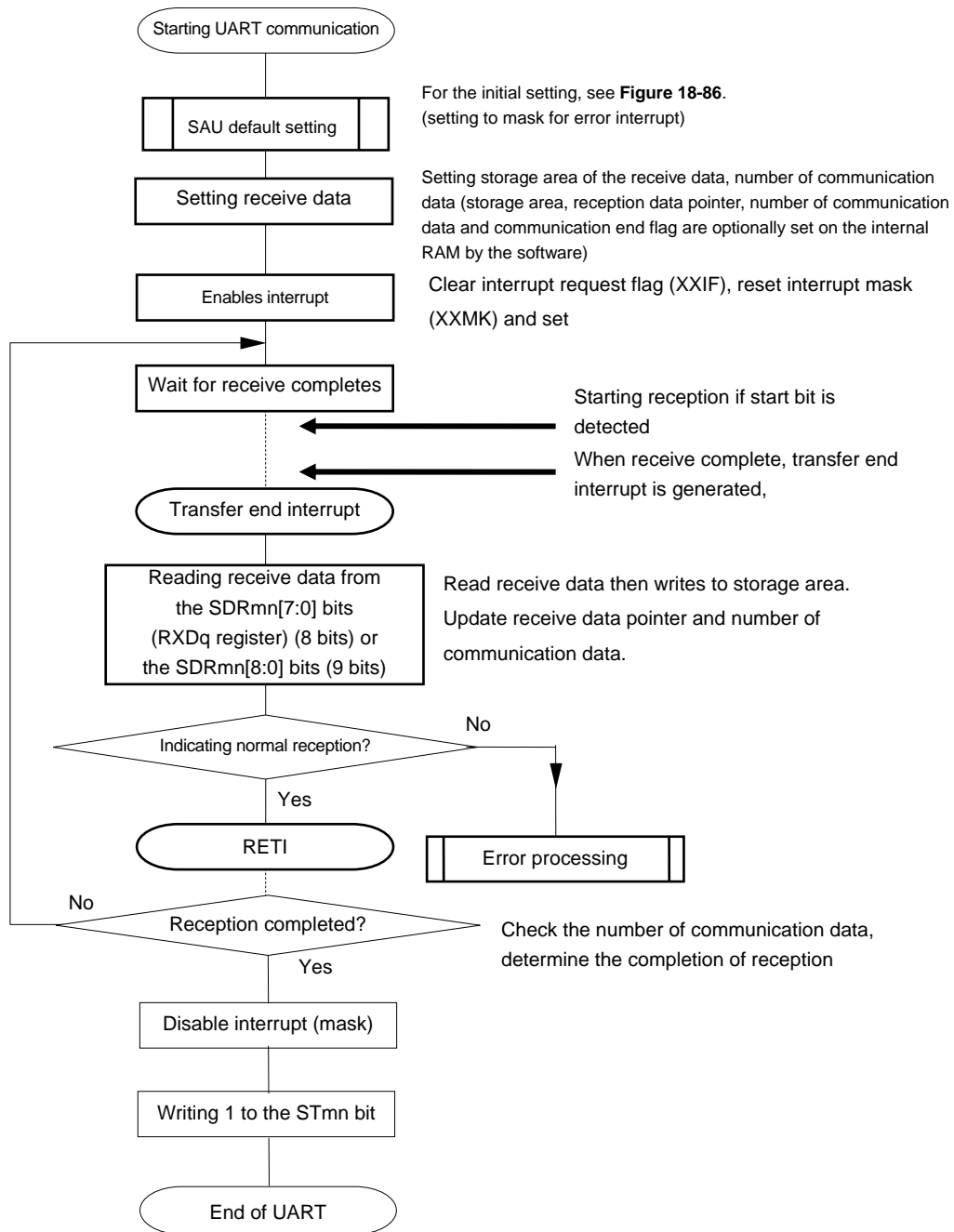
(3) Processing flow

Figure 18-89. Timing Chart of UART Reception



Remark m: Unit number (m = 0, 1), n: Channel number (n = 1, 3), mn = 01, 03, 11, 13
 r: Channel number (r = n - 1), q: UART number (q = 0 to 3)

Figure 18-90. Flowchart of UART Reception



18.6.3 SNOOZE mode function

The SNOOZE mode makes the UART perform reception operations upon RxDq pin input detection while in the STOP mode. Normally the UART stops communication in the STOP mode. However, using the SNOOZE mode enables the UART to perform reception operations without CPU operation. Only UART0 can be set to the SNOOZE mode.

When using UARTq in the SNOOZE mode, make the following settings before entering the STOP mode. (See **Figure 18-93** and **Figure 18-95 Flowchart of SNOOZE Mode Operation**.)

- In the SNOOZE mode, the baud rate setting for UART reception needs to be changed to a value different from that in normal operation. Set the SPSm register and bits 15 to 9 of the SDRmn register with reference to Table 18-3.
- Set the EOCmn and SSECMn bits. This is for enabling or stopping generation of an error interrupt (INTSRE0) when a communication error occurs.
- When using the SNOOZE mode function, set the SWCm bit of serial standby control register m (SSCm) to 1 just before switching to the STOP mode. After the initial setting has completed, set the SSm1 bit of serial channel start register m (SSm) to 1.
- Upon detecting the start bit input of RxDq after a transition was made to the STOP mode, UARTq reception is started.

Cautions 1. The SNOOZE mode can only be specified when the high-speed on-chip oscillator clock is selected for f_{CLK}.

2. The maximum transfer rate when using UARTq in the SNOOZE mode is 4800 bps.
3. When SWCm = 1, UARTq can be used only when the reception operation is started in the STOP mode. When used simultaneously with another SNOOZE mode function or interrupt, if the reception operation is started in a state other than the STOP mode, such as those given below, data may not be received correctly and a framing error or parity error may be generated.
 - When after the SWCm bit has been set to 1, the reception operation is started before the STOP mode is entered
 - When the reception operation is started while another function is in the SNOOZE mode
 - When after returning from the STOP mode to normal operation due to an interrupt or other cause, the reception operation is started before the SWCm bit is returned to 0
4. If a parity error, framing error, or overrun error occurs while the SSECM bit is set to 1, the PEFmn, FEFmn, or OVFMn flag is not set and an error interrupt (INTSREq) is not generated. Therefore, when the setting of SSECM = 1 is made, clear the PEFmn, FEFmn, or OVFMn flag before setting the SWC0 bit to 1 and read the value in bits 7 to 0 (RxDq register) of the SDRm1 register.
5. The CPU shifts from the STOP mode to the SNOOZE mode on detecting the valid edge of the RxDq signal. Note, however, that the UART reception may not start and the CPU may remain in the SNOOZE mode if an input pulse on the RxDq pin is too short to be detected as a start bit. In such cases, data may not be received correctly, and this may lead to a framing error or parity error in the next UART reception.

<R>

Table 18-3. Baud Rate Setting for UART Reception in SNOOZE Mode

High-speed On-chip Oscillator (f_{IH})	Baud Rate for UART Reception in SNOOZE Mode			
	Baud Rate of 4800 bps			
	Operation Clock (f_{MCK})	SDRmn[15:9]	Maximum Permissible Value	Minimum Permissible Value
24 MHz \pm 1.0% ^{Note}	$f_{CLK}/2^5$	79	1.60%	-2.18%
16 MHz \pm 1.0% ^{Note}	$f_{CLK}/2^4$	105	2.27%	-1.53%
12 MHz \pm 1.0% ^{Note}	$f_{CLK}/2^4$	79	1.60%	-2.19%
8 MHz \pm 1.0% ^{Note}	$f_{CLK}/2^3$	105	2.27%	-1.53%
6 MHz \pm 1.0% ^{Note}	$f_{CLK}/2^3$	79	1.60%	-2.19%
4 MHz \pm 1.0% ^{Note}	$f_{CLK}/2^2$	105	2.27%	-1.53%
3 MHz \pm 1.0% ^{Note}	$f_{CLK}/2^2$	79	1.60%	-2.19%
2 MHz \pm 1.0% ^{Note}	$f_{CLK}/2$	105	2.27%	-1.54%
1 MHz \pm 1.0% ^{Note}	f_{CLK}	105	2.27%	-1.57%

Note When the accuracy of the clock frequency of the high-speed on-chip oscillator is $\pm 1.5\%$, the permissible range becomes smaller as shown below.

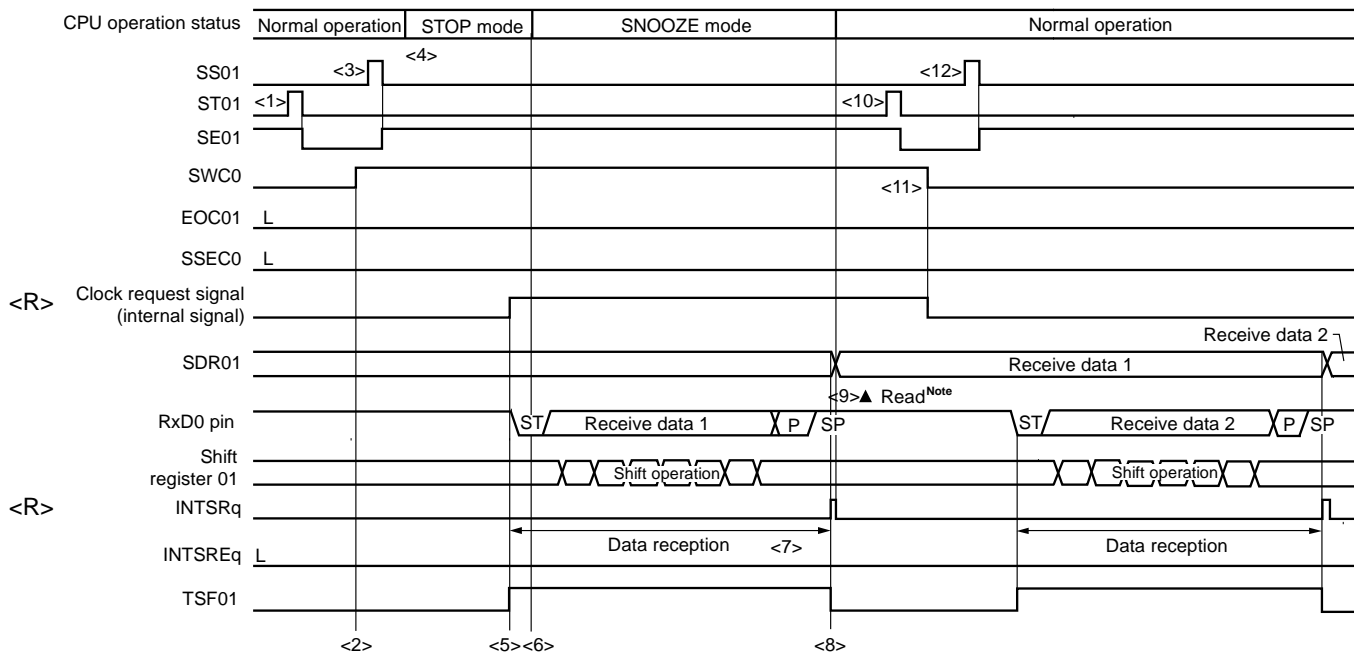
- In the case of $f_{IH} \pm 1.5\%$, perform (Maximum permissible value – 0.5%) and (Minimum permissible value + 0.5%) to the values in the above table.

Remark The maximum permissible value and minimum permissible value are permissible values for the baud rate in UART reception. The baud rate on the transmitting side should be set to fall inside this range.

(1) SNOOZE mode operation (EOCm1 = 0, SSECm = 0/1)

Because of the setting of EOCm1 = 0, even though a communication error occurs, an error interrupt (INTSREq) is not generated, regardless of the setting of the SSECm bit. A transfer end interrupt (INTSRq) will be generated.

Figure 18-91. Timing Chart of SNOOZE Mode Operation (EOCm1 = 0, SSECm = 0/1)



Note Read the received data when SWCm is 1.

Caution Before switching to the SNOOZE mode or after reception operation in the SNOOZE mode finishes, set the STm1 bit to 1 (clear the SEM1 bit, and stop the operation). And after completion the receive operation, also clearing SWCm bit to 0 (SNOOZE mode release).

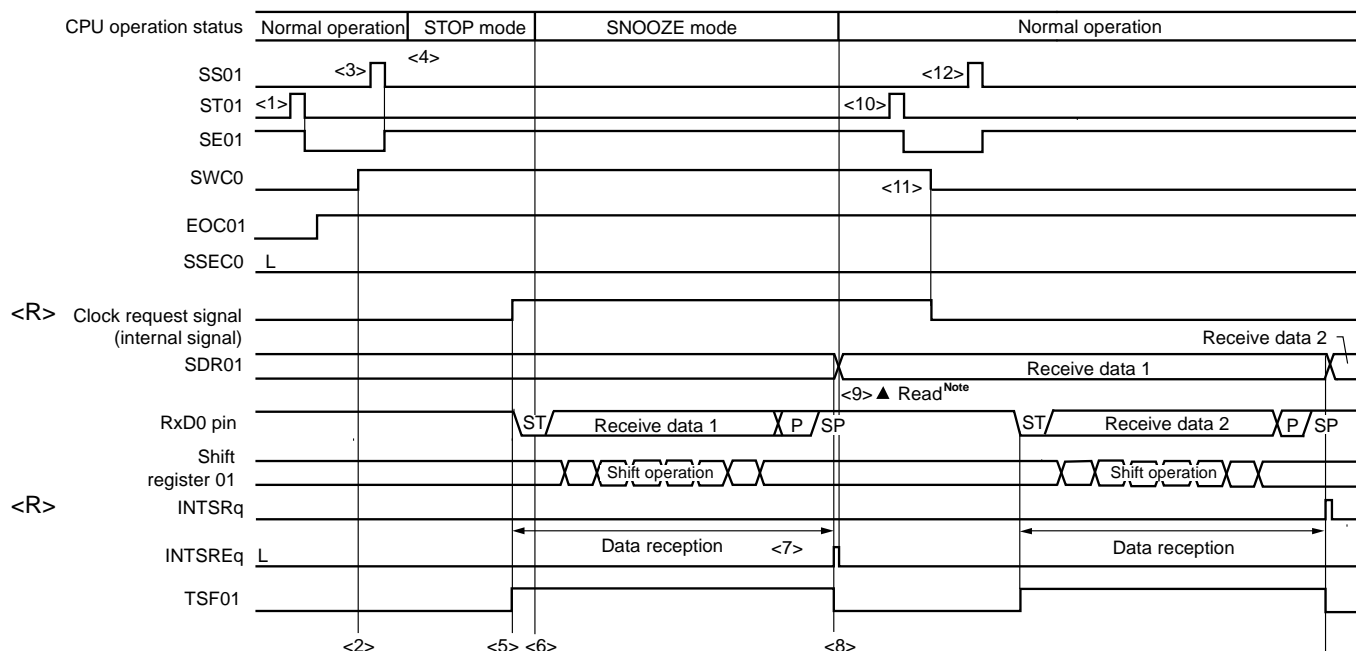
Remarks 1. <1> to <12> in the figure correspond to <1> to <12> in Figure 18-93 Flowchart of SNOOZE Mode Operation (EOCm1 = 0, SSECm = 0/1 or EOCm1 = 1, SSECm = 0).

2. m = 0; q = 0

(2) SNOOZE mode operation (EOCm1 = 1, SSECm = 0: Error interrupt (INTSREq) generation is enabled)

Because EOCm1 = 1 and SSECm = 0, an error interrupt (INTSREq) is generated when a communication error occurs.

Figure 18-92. Timing Chart of SNOOZE Mode Operation (EOCm1 = 1, SSECm = 0)

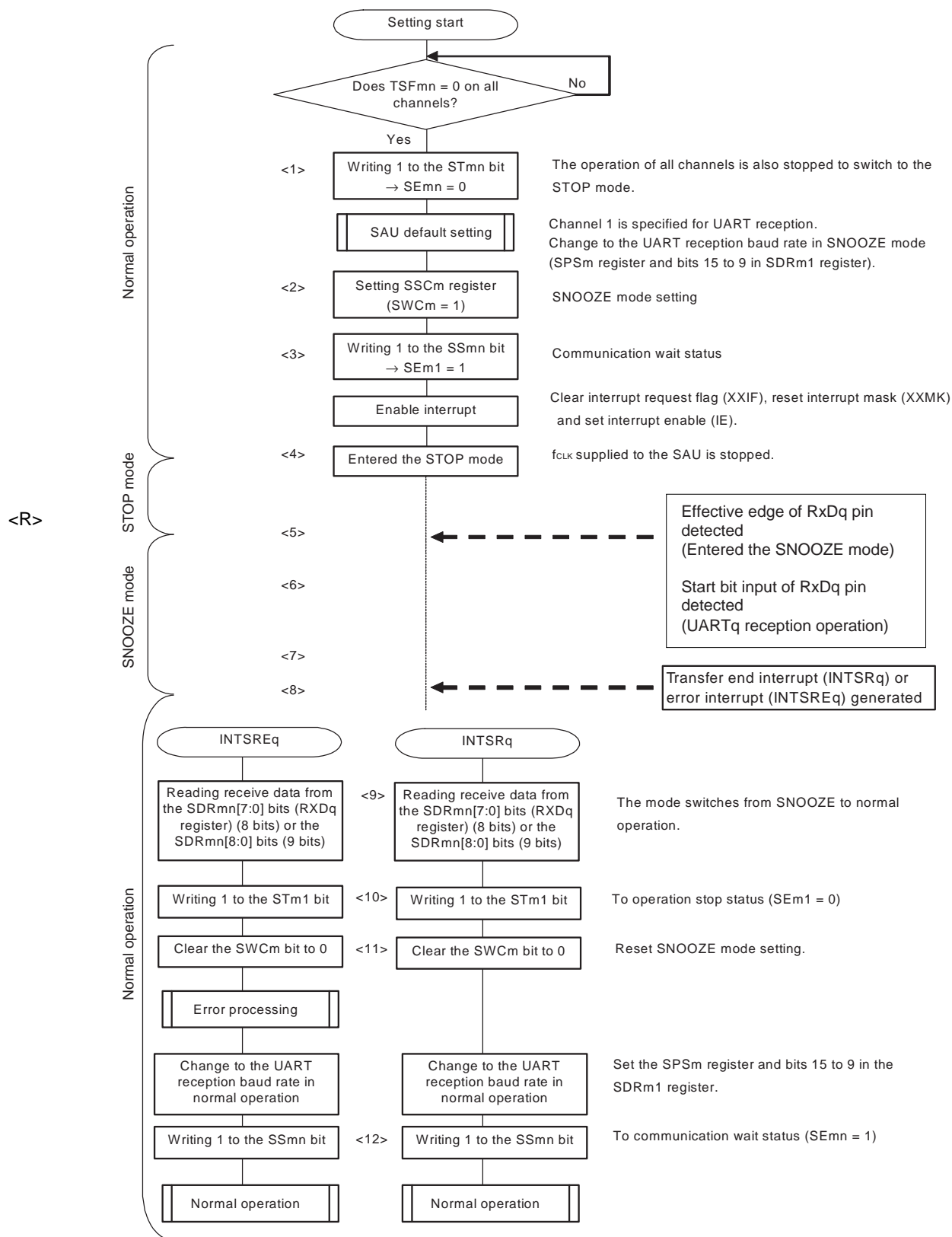


Note Read the received data when SWCm is 1.

Caution Before switching to the SNOOZE mode or after reception operation in the SNOOZE mode finishes, set the STm1 bit to 1 (clear the SEM1 bit, and stop the operation).
And after completion the receive operation, also clearing SWCm bit to 0 (SNOOZE mode release).

Remarks 1. <1> to <12> in the figure correspond to <1> to <12> in Figure 18-93 Flowchart of SNOOZE Mode Operation (EOCm1 = 0, SSECm = 0/1 or EOCm1 = 1, SSECm = 0).
2. m = 0; q = 0

Figure 18-93. Flowchart of SNOOZE Mode Operation (EOCm1 = 0, SSECM = 0/1 or EOCm1 = 1, SSECM = 0)



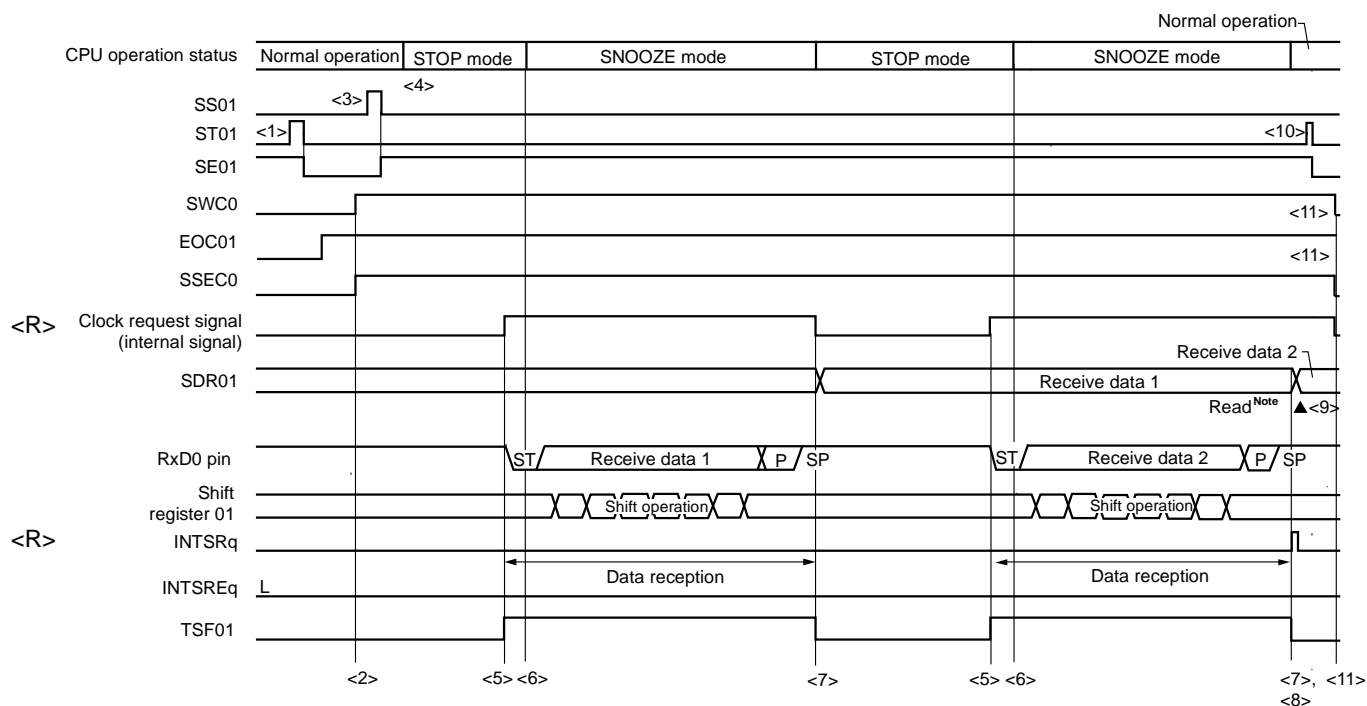
Remarks 1. <1> to <12> in the figure correspond to <1> to <12> in Figure 18-91 Timing Chart of SNOOZE Mode Operation (EOCm1 = 0, SSECM = 0/1) and Figure 18-92 Timing Chart of SNOOZE Mode Operation (EOCm1 = 1, SSECM = 0).

2. m = 0; q = 0

(3) SNOOZE mode operation (EOCm1 = 1, SSECm = 1: Error interrupt (INTSREq) generation is stopped)

Because EOCm1 = 1 and SSECm = 1, an error interrupt (INTSREq) is not generated when a communication error occurs.

Figure 18-94. Timing Chart of SNOOZE Mode Operation (EOCm1 = 1, SSECm = 1)

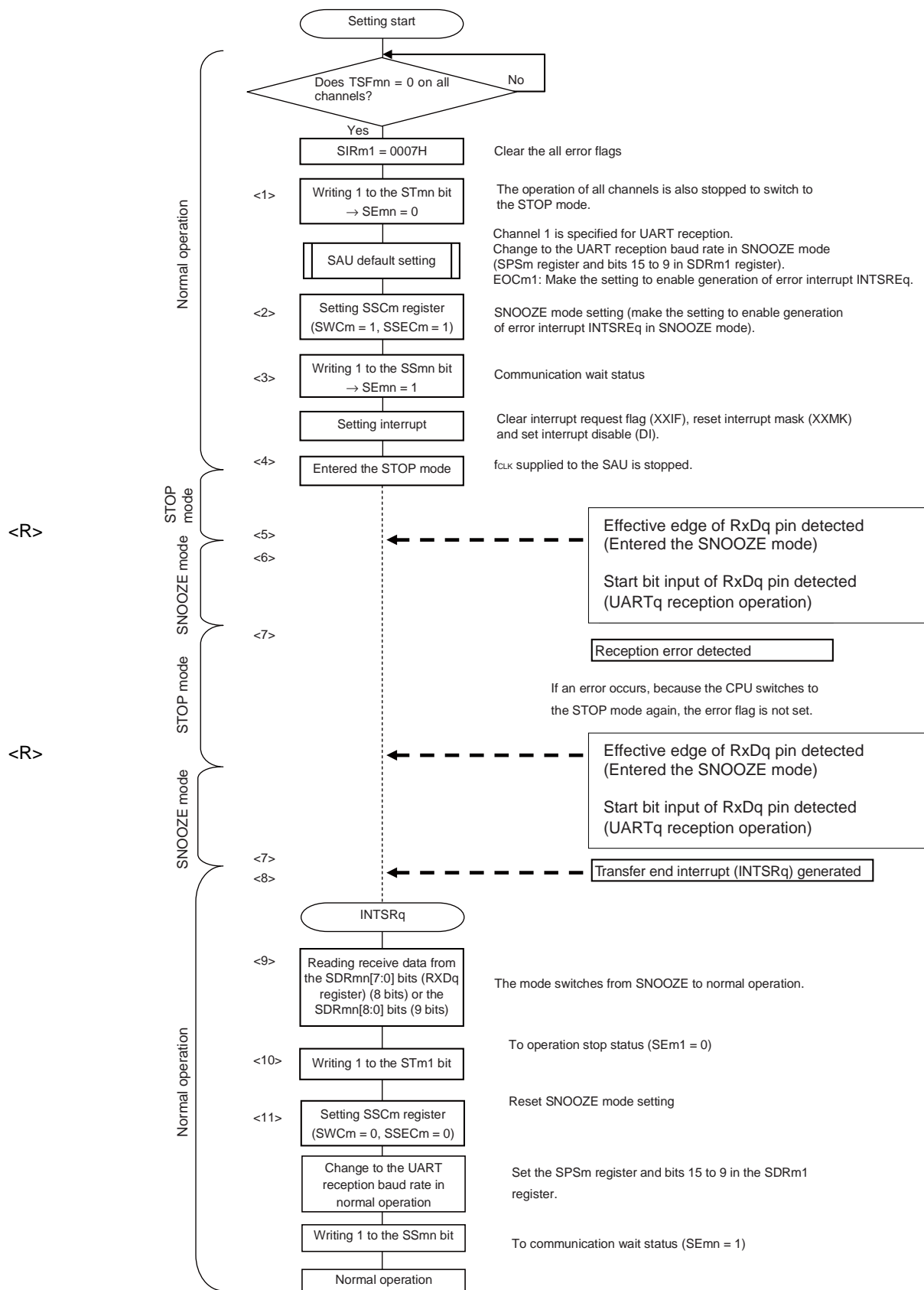


Note Read the received data when SWCm = 1.

- Cautions**
1. Before switching to the SNOOZE mode or after reception operation in the SNOOZE mode finishes, set the STm1 bit to 1 (clear the SEM1 bit and stop the operation). After the receive operation completes, also clear the SWCm bit to 0 (SNOOZE mode release).
 2. If a parity error, framing error, or overrun error occurs while the SSECm bit is set to 1, the PEFm1, FEFm1, or OVFM1 flag is not set and an error interrupt (INTSREq) is not generated. Therefore, when the setting of SSECm = 1 is made, clear the PEFm1, FEFm1, or OVFM1 flag before setting the SWCm bit to 1 and read the value in SDRm1[7:0] (RxDq register) (8 bits) or SDRm1[8:0] (9 bits).

- Remarks**
1. <1> to <11> in the figure correspond to <1> to <11> in Figure 18-95 Flowchart of SNOOZE Mode Operation (EOCm1 = 1, SSECm = 1).
 2. m = 0; q = 0

Figure 18-95. Flowchart of SNOOZE Mode Operation (EOCm1 = 1, SSECm = 1)



(Caution and Remarks are listed on the next page.)

Caution If a parity error, framing error, or overrun error occurs while the SSECm bit is set to 1, the PEFm1, FEFm1, or OVFM1 flag is not set and an error interrupt (INTSREq) is not generated. Therefore, when the setting of SSECm = 1 is made, clear the PEFm1, FEFm1, or OVFM1 flag before setting the SWCm bit to 1 and read the value in SDRm1[7:0] (RxDq register) (8 bits) or SDRm1[8:0] (9 bits).

- Remarks 1.** <1> to <11> in the figure correspond to <1> to <11> in **Figure 18-94 Timing Chart of SNOOZE Mode Operation (EOCm1 = 1, SSECm = 1).**
- 2.** m = 0; q = 0

18.6.4 Calculating baud rate

(1) Baud rate calculation expression

The baud rate for UART (UART0 to UART3) communication can be calculated by the following expressions.

$$\text{(Baud rate)} = \{\text{Operation clock (f}_{\text{MCK}}\text{) frequency of target channel}\} \div (\text{SDRmn}[15:9] + 1) \div 2 \text{ [bps]}$$

Caution Setting serial data register mn (SDRmn) SDRmn[15:9] = (0000000B, 0000001B) is prohibited.

Remarks 1. When UART is used, the value of SDRmn[15:9] is the value of bits 15 to 9 of the SDRmn register (0000010B to 1111111B) and therefore is 2 to 127.

2. m: Unit number (m = 0, 1), n: Channel number (n = 0 to 3), mn = 00 to 03, 10 to 13

The operation clock (f_{MCK}) is determined by serial clock select register m (SPSm) and bit 15 (CKSmn) of serial mode register mn (SMRmn).

Table 18-4. Selection of Operation Clock For UART

SMRmn Register	SPSm Register								Operation Clock (f_{CLK}) ^{Note}	
	CKSmn	PRS m13	PRS m12	PRS m11	PRS m10	PRS m03	PRS m02	PRS m01	PRS m00	$f_{CLK} = 24 \text{ MHz}$
0	X	X	X	X	0	0	0	0	f_{CLK}	24 MHz
	X	X	X	X	0	0	0	1	$f_{CLK}/2$	12 MHz
	X	X	X	X	0	0	1	0	$f_{CLK}/2^2$	6 MHz
	X	X	X	X	0	0	1	1	$f_{CLK}/2^3$	3 MHz
	X	X	X	X	0	1	0	0	$f_{CLK}/2^4$	1.5 MHz
	X	X	X	X	0	1	0	1	$f_{CLK}/2^5$	750 kHz
	X	X	X	X	0	1	1	0	$f_{CLK}/2^6$	375 kHz
	X	X	X	X	0	1	1	1	$f_{CLK}/2^7$	187.5 kHz
	X	X	X	X	1	0	0	0	$f_{CLK}/2^8$	93.8 kHz
	X	X	X	X	1	0	0	1	$f_{CLK}/2^9$	46.9 kHz
	X	X	X	X	1	0	1	0	$f_{CLK}/2^{10}$	23.4 kHz
	X	X	X	X	1	0	1	1	$f_{CLK}/2^{11}$	11.7 kHz
	X	X	X	X	1	1	0	0	$f_{CLK}/2^{12}$	5.86 kHz
	X	X	X	X	1	1	0	1	$f_{CLK}/2^{13}$	2.93 kHz
	X	X	X	X	1	1	1	0	$f_{CLK}/2^{14}$	1.46 kHz
X	X	X	X	1	1	1	1	$f_{CLK}/2^{15}$	732 Hz	
1	0	0	0	0	X	X	X	X	f_{CLK}	24 MHz
	0	0	0	1	X	X	X	X	$f_{CLK}/2$	12 MHz
	0	0	1	0	X	X	X	X	$f_{CLK}/2^2$	6 MHz
	0	0	1	1	X	X	X	X	$f_{CLK}/2^3$	3 MHz
	0	1	0	0	X	X	X	X	$f_{CLK}/2^4$	1.5 MHz
	0	1	0	1	X	X	X	X	$f_{CLK}/2^5$	750 kHz
	0	1	1	0	X	X	X	X	$f_{CLK}/2^6$	375 kHz
	0	1	1	1	X	X	X	X	$f_{CLK}/2^7$	187.5 kHz
	1	0	0	0	X	X	X	X	$f_{CLK}/2^8$	93.8 kHz
	1	0	0	1	X	X	X	X	$f_{CLK}/2^9$	46.9 kHz
	1	0	1	0	X	X	X	X	$f_{CLK}/2^{10}$	23.4 kHz
	1	0	1	1	X	X	X	X	$f_{CLK}/2^{11}$	11.7 kHz
	1	1	0	0	X	X	X	X	$f_{CLK}/2^{12}$	5.86 kHz
	1	1	0	1	X	X	X	X	$f_{CLK}/2^{13}$	2.93 kHz
	1	1	1	0	X	X	X	X	$f_{CLK}/2^{14}$	1.46 kHz
1	1	1	1	X	X	X	X	$f_{CLK}/2^{15}$	732 Hz	

Note When changing the clock selected for f_{CLK} (by changing the system clock control register (CKC) value), do so after having stopped (serial channel stop register m (STm) = 000FH) the operation of the serial array unit (SAU).

Remarks 1. X: Don't care

2. m: Unit number (m = 0, 1), n: Channel number (n = 0 to 3), mn = 00 to 03, 10 to 13

(2) Baud rate error during transmission

The baud rate error of UART (UART0 to UART3) communication during transmission can be calculated by the following expression. Make sure that the baud rate at the transmission side is within the permissible baud rate range at the reception side.

$$(\text{Baud rate error}) = (\text{Calculated baud rate value}) \div (\text{Target baud rate}) \times 100 - 100 [\%]$$

Here is an example of setting a UART baud rate at $f_{\text{CLK}} = 24 \text{ MHz}$.

UART Baud Rate (Target Baud Rate)	$f_{\text{CLK}} = 24 \text{ MHz}$			
	Operation Clock (f_{MCK})	SDRmn[15:9]	Calculated Baud Rate	Error from Target Baud Rate
300 bps	$f_{\text{CLK}}/2^9$	77	300.48 bps	+0.16 %
600 bps	$f_{\text{CLK}}/2^8$	77	600.96 bps	+0.16 %
1200 bps	$f_{\text{CLK}}/2^7$	77	1201.92 bps	+0.16 %
2400 bps	$f_{\text{CLK}}/2^6$	77	2403.85 bps	+0.16 %
4800 bps	$f_{\text{CLK}}/2^5$	77	4807.69 bps	+0.16 %
9600 bps	$f_{\text{CLK}}/2^4$	77	9615.38 bps	+0.16 %
19200 bps	$f_{\text{CLK}}/2^3$	77	19230.8 bps	+0.16 %
31250 bps	$f_{\text{CLK}}/2^3$	47	31250.0 bps	± 0.0 %
38400 bps	$f_{\text{CLK}}/2^2$	77	38461.5 bps	+0.16 %
76800 bps	$f_{\text{CLK}}/2$	77	76923.1 bps	+0.16 %
153600 bps	f_{CLK}	77	153846 bps	+0.16 %
312500 bps	f_{CLK}	37	315789 bps	+1.05 %

Remark m: Unit number (m = 0, 1), n: Channel number (n = 0, 2), mn = 00, 02, 10, 12

(3) Permissible baud rate range for reception

The permissible baud rate range for reception during UART (UART0 to UART3) communication can be calculated by the following expression. Make sure that the baud rate at the transmission side is within the permissible baud rate range at the reception side.

$$\text{(Maximum receivable baud rate)} = \frac{2 \times k \times \text{Nfr}}{2 \times k \times \text{Nfr} - k + 2} \times \text{Brate}$$

$$\text{(Minimum receivable baud rate)} = \frac{2 \times k \times (\text{Nfr} - 1)}{2 \times k \times \text{Nfr} - k - 2} \times \text{Brate}$$

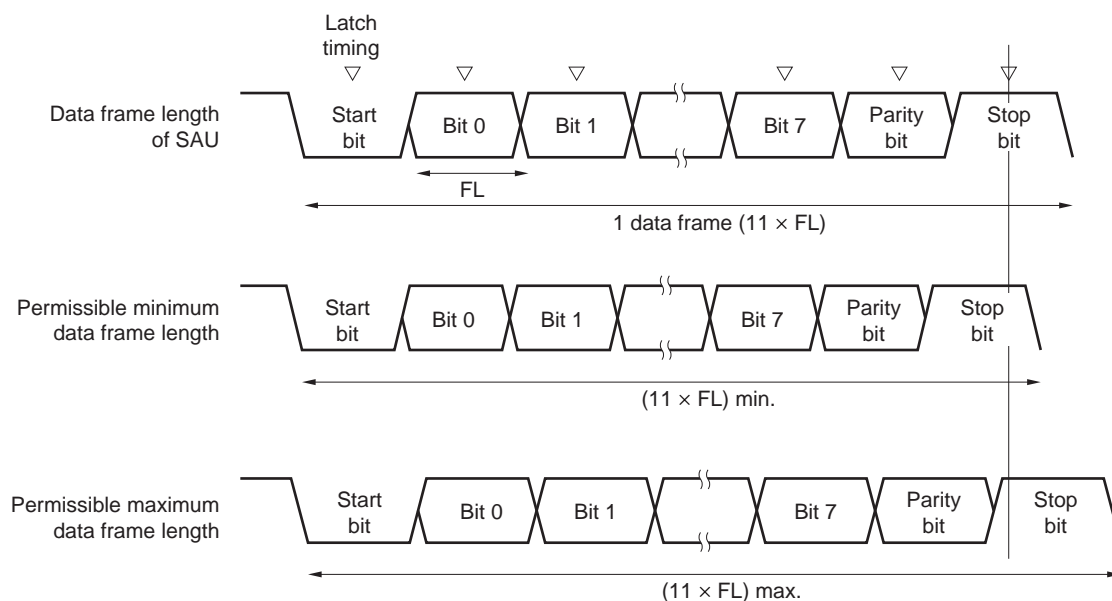
Brate: Calculated baud rate value at the reception side (See 18.6.4 (1) Baud rate calculation expression.)

k: SDRmn[15:9] + 1

Nfr: 1 data frame length [bits]
 = (Start bit) + (Data length) + (Parity bit) + (Stop bit)

Remark m: Unit number (m = 0, 1), n: Channel number (n = 1, 3), mn = 01, 03, 11, 13

Figure 18-96. Permissible Baud Rate Range for Reception (1 Data Frame Length = 11 Bits)



As shown in Figure 18-96, the timing of latching receive data is determined by the division ratio set by bits 15 to 9 of serial data register mn (SDRmn) after the start bit is detected. If the last data (stop bit) is received before this latch timing, the data can be correctly received.

18.6.5 Procedure for processing errors that occurred during UART (UART0 to UART3) communication

The procedure for processing errors that occurred during UART (UART0 to UART3) communication is described in Figures 18-97 and 18-98.

Figure 18-97. Processing Procedure in Case of Parity Error or Overrun Error

Software Manipulation	Hardware Status	Remark
Reads serial data register mn (SDRmn).	→ The BFFmn bit of the SSRmn register is set to 0 and channel n is enabled to receive data.	This is to prevent an overrun error if the next reception is completed during error processing.
Reads serial status register mn (SSRmn).		Error type is identified and the read value is used to clear error flag.
Writes 1 to serial flag clear trigger register mn (SIRmn).	→ Error flag is cleared.	Error can be cleared only during reading, by writing the value read from the SSRmn register to the SIRmn register without modification.

Figure 18-98. Processing Procedure in Case of Framing Error

Software Manipulation	Hardware Status	Remark
Reads serial data register mn (SDRmn).	→ The BFFmn bit of the SSRmn register is set to 0 and channel n is enabled to receive data.	This is to prevent an overrun error if the next reception is completed during error processing.
Reads serial status register mn (SSRmn).		Error type is identified and the read value is used to clear error flag.
Writes serial flag clear trigger register mn (SIRmn).	→ Error flag is cleared.	Error can be cleared only during reading, by writing the value read from the SSRmn register to the SIRmn register without modification.
Sets the STmn bit of serial channel stop register m (STm) to 1.	→ The SEMn bit of serial channel enable status register m (SEm) is set to 0 and channel n stops operating.	
Synchronization with other party of communication		Synchronization with the other party of communication is re-established and communication is resumed because it is considered that a framing error has occurred because the start bit has been shifted.
Sets the SSmn bit of serial channel start register m (SSm) to 1.	→ The SEMn bit of serial channel enable status register m (SEm) is set to 1 and channel n is enabled to operate.	

Remark m: Unit number (m = 0, 1), n: Channel number (n = 0 to 3), mn = 00 to 03, 10 to 13

18.7 LIN Communication Operation

18.7.1 LIN transmission

Of UART transmission, UART0 support LIN communication.

For LIN transmission, channel 0 of unit 0 is used.

UART	UART0	UART1	UART2	UART3
Support of LIN communication	Supported	Not supported	Not supported	Not supported
Target channel	Channel 0 of SAU0	–	–	–
Pins used	TxD0	–	–	–
Interrupt	INTST0	–	–	–
	Transfer end interrupt (in single-transfer mode) or buffer empty interrupt (in continuous transfer mode) can be selected.			
Error detection flag	None			
Transfer data length	8 bits			
Transfer rate	Max. $f_{MCK}/6$ [bps] (SDR00[15:9] = 2 or more), Min. $f_{CLK}/(2 \times 2^{15} \times 128)$ [bps] ^{Note}			
Data phase	Non-reverse output (default: high level) Reverse output (default: low level)			
Parity bit	No parity bit			
Stop bit	Appending 1 bit			
Data direction	LSB first			

Note Use this operation within a range that satisfies the conditions above and the peripheral functions characteristics in the electrical specifications (see **CHAPTER 41 ELECTRICAL SPECIFICATIONS**). In addition, LIN communication is usually 2.4/9.6/19.2 kbps is often used.

Remark f_{MCK} : Operation clock frequency of target channel
 f_{CLK} : System clock frequency

LIN stands for Local Interconnect Network and is a low-speed (1 to 20 kbps) serial communication protocol designed to reduce the cost of an automobile network.

Communication of LIN is single-master communication and up to 15 slaves can be connected to one master.

The slaves are used to control switches, actuators, and sensors, which are connected to the master via LIN.

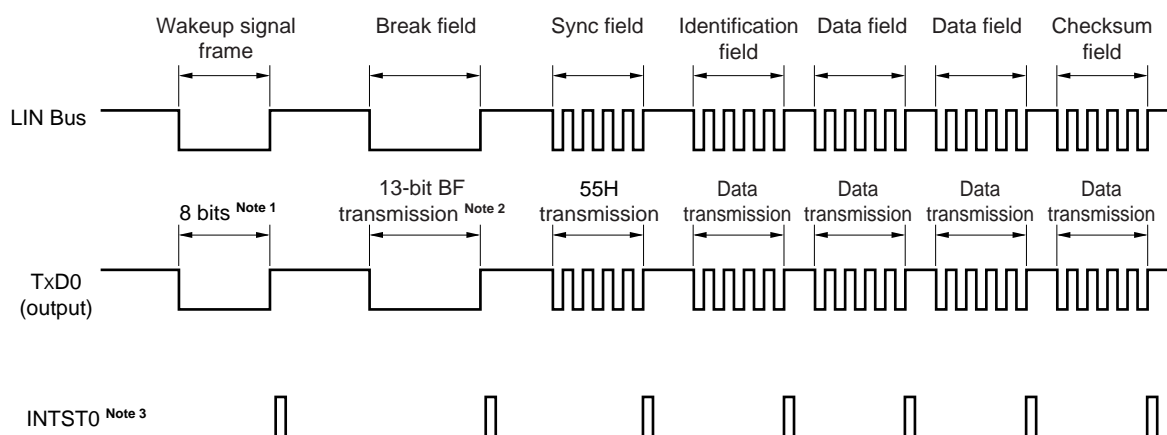
Usually, the master is connected to a network such as CAN (Controller Area Network).

A LIN bus is a single-wire bus to which nodes are connected via transceiver conforming to ISO9141.

According to the protocol of LIN, the master transmits a frame by attaching baud rate information to it. A slave receives this frame and corrects a baud rate error from the master. If the baud rate error of a slave is within ±15%, communication can be established.

Figure 18-99 outlines a master transmission operation of LIN.

Figure 18-99. Transmission Operation of LIN

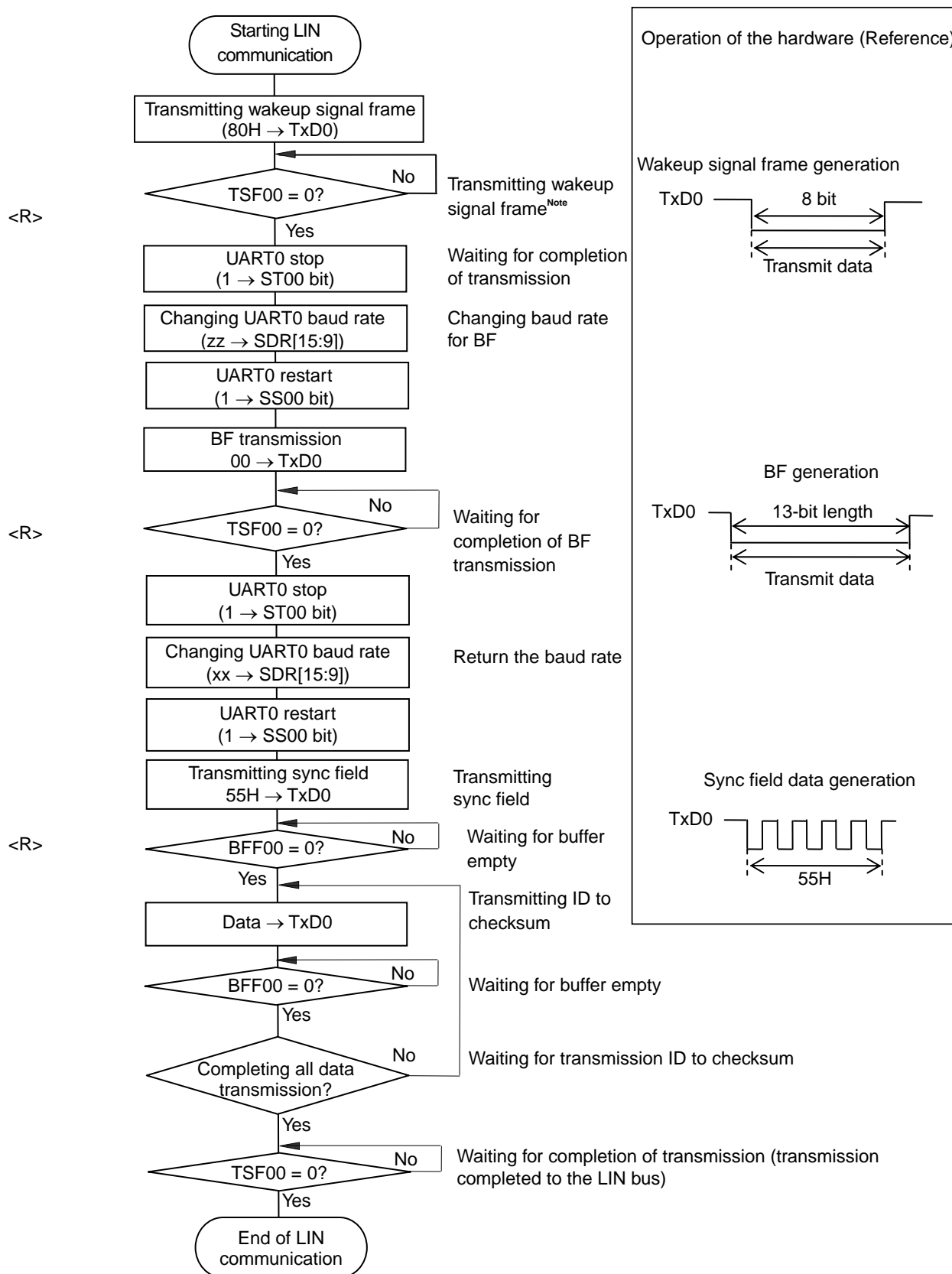


- Notes**
1. Set the baud rate in accordance with the wakeup signal regulations and transmit data of 80H.
 2. A break field is defined to have a width of 13 bits and output a low level. Where the baud rate for main transfer is N [bps], therefore, the baud rate of the break field is calculated as follows.

$$\text{(Baud rate of break field)} = 9/13 \times N$$
 By transmitting data of 00H at this baud rate, a break field is generated.
 3. INTST0 is output upon completion of transmission. INTST0 is also output at BF transmission.

Remark The interval between fields is controlled by software.

Figure 18-100. Flowchart for LIN Transmission



Note When LIN-bus start from sleep status only

Remark Default setting of the UART is complete, and the flow from the transmission enable status.

18.7.2 LIN reception

Of UART reception, UART0 support LIN communication.

For LIN reception, channel 1 of unit 0 is used.

UART	UART0	UART1	UART2	UART3
Support of LIN communication	Supported	Not supported	Not supported	Not supported
Target channel	Channel 1 of SAU0	–	–	–
Pins used	RxD0	–	–	–
Interrupt	INTSR0	–	–	–
	Transfer end interrupt only (Setting the buffer empty interrupt is prohibited.)			
Error interrupt	INTSRE0	–	–	–
Error detection flag	<ul style="list-style-type: none"> • Framing error detection flag (FEF01) • Overrun error detection flag (OVF01) 			
Transfer data length	8 bits			
Transfer rate	Max. $f_{MCK}/6$ [bps] (SDR01[15:9] = 2 or more), Min. $f_{CLK}/(2 \times 2^{15} \times 128)$ [bps] ^{Note}			
Data phase	Non-reverse output (default: high level) Reverse output (default: low level)			
Parity bit	No parity bit (The parity bit is not checked.)			
Stop bit	Check the first bit			
Data direction	LSB first			

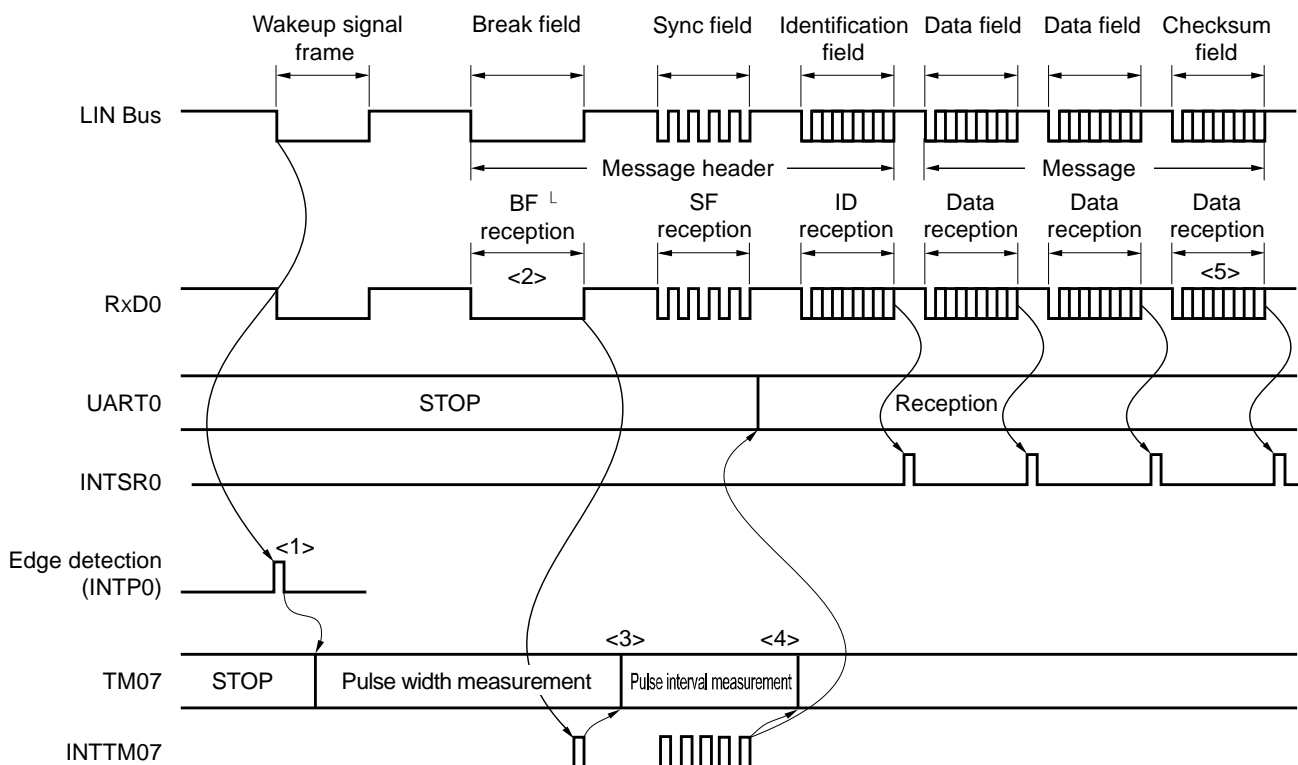
Note Use this operation within a range that satisfies the conditions above and the peripheral functions characteristics in the electrical specifications (see **CHAPTER 41 ELECTRICAL SPECIFICATIONS**).

Remark f_{MCK} : Operation clock frequency of target channel
 f_{CLK} : System clock frequency

Figure 18-101 outlines a reception operation of LIN.

<R>

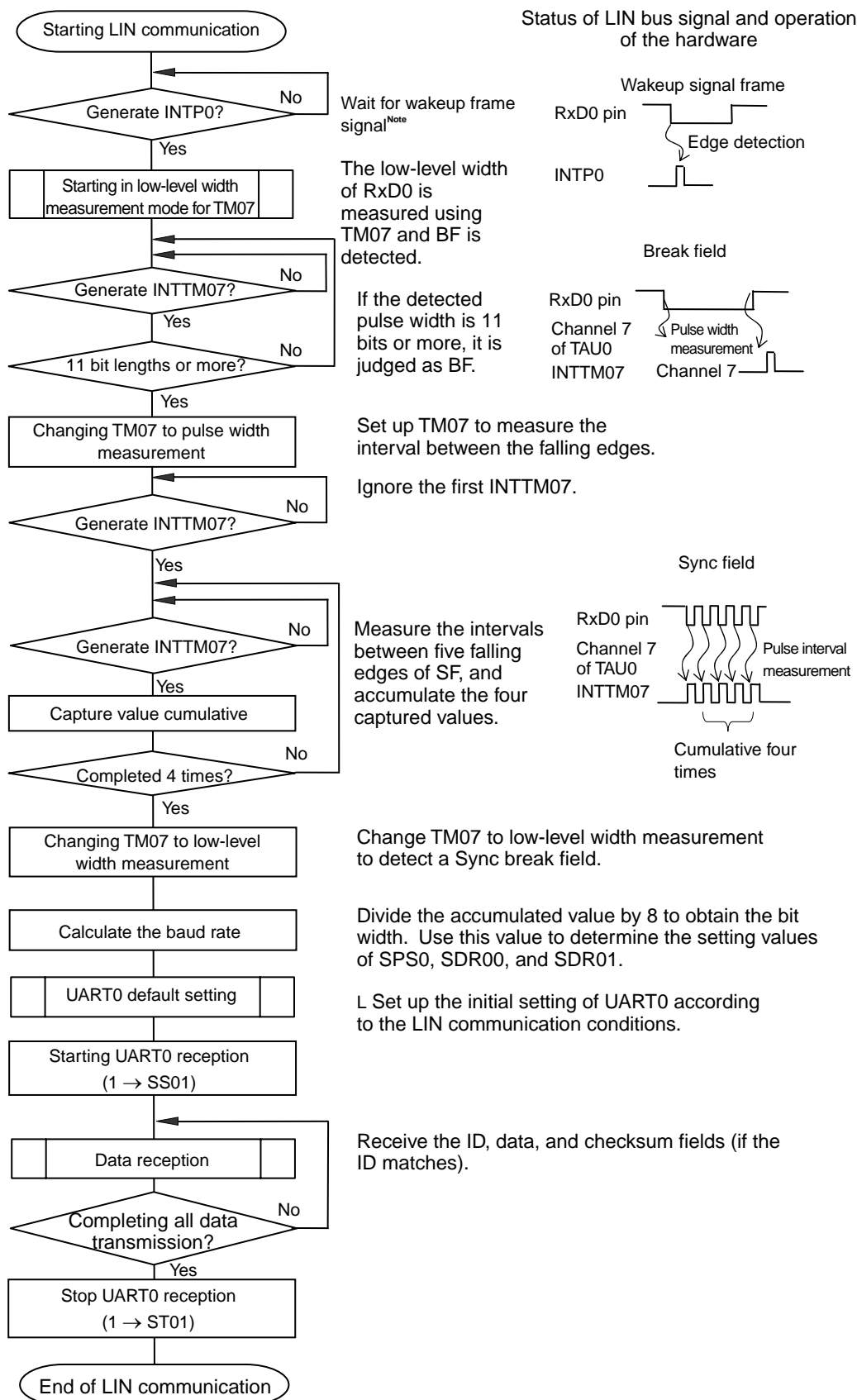
Figure 18-101. Reception Operation of LIN



Here is the flow of signal processing.

- <1> The wakeup signal is detected by detecting an interrupt edge (INTP0) on a pin. When the wakeup signal is detected, change TM07 to pulse width measurement upon detection of the wakeup signal to measure the low-level width of the BF signal. Then wait for BF signal reception.
- <2> TM07 starts measuring the low-level width upon detection of the falling edge of the BF signal, and then captures the data upon detection of the rising edge of the BF signal. The captured data is used to judge whether it is the BF signal.
- <3> When the BF signal has been received normally, change TM07 to pulse interval measurement and measure the interval between the falling edges of the RxD0 signal in the Sync field four times.
- <4> When BF reception has been correctly completed, start channel 7 of the timer array unit and measure the bit interval (pulse width) of the sync field (see **8.8.3 Operation as input pulse interval measurement**).
- <5> Calculate a baud rate error from the bit interval of sync field (SF). Stop UART0 once and adjust (re-set) the baud rate.
- <6> The checksum field should be distinguished by software. In addition, processing to initialize UART0 after the checksum field is received and to wait for reception of BF should also be performed by software.

Figure 18-102. Flowchart for LIN Reception



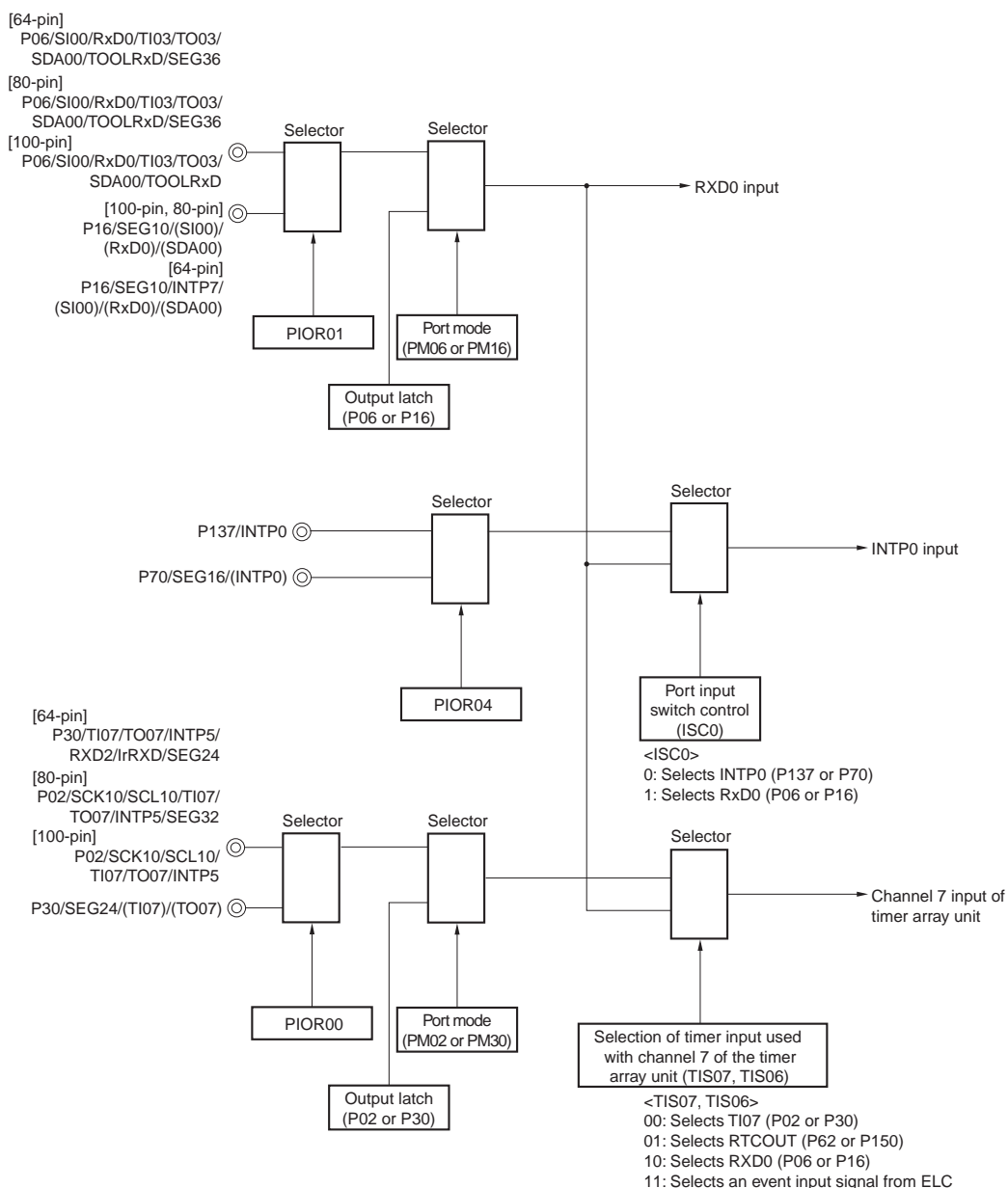
Note Required in the sleep status only.

Figure 18-103 shows the configuration of a port that manipulates reception of LIN.

The wakeup signal transmitted from the master of LIN is received by detecting an edge of an external interrupt (INTP0). The length of the sync field transmitted from the master can be measured by using the external event capture operation of the timer array unit 0 to calculate a baud-rate error.

By controlling switch of port input (ISC0), the input source of port input (RxD0) for reception can be input to the external interrupt pin (INTP0) and timer array unit

Figure 18-103. Port Configuration for Manipulating Reception of LIN



- Remarks 1.** ISC0: Bit 0 of the input switch control register (ISC) (See **Figure 18-21**.)
 PIOR00, PIOR01, PIOR04: Bits 0 to 4 of the peripheral I/O redirection register (PIOR0) (See **Figure 4-8**).
- 2.** Functions in parentheses in the above figure can be assigned via settings in the peripheral I/O redirection register (PIOR0). See **Figure 4-8 Format of Peripheral I/O Redirection Register (PIOR0)**.

The peripheral functions used for the LIN communication operation are as follows.

<Peripheral functions used>

- External interrupt (INTP0); Wakeup signal detection
Usage: To detect an edge of the wakeup signal and the start of communication
- Channel 7 of timer array unit; Baud rate error detection, break field detection.
Usage: To detect the length of the sync field (SF) and divide it by the number of bits in order to detect an error (The interval of the edge input to RxD0 is measured in the capture mode.)
Measured the low-level width, determine whether break field (BF).
- Channels 0 and 1 (UART0) of serial array unit 0 (SAU0)

18.8 Operation of Simplified I²C (IIC00, IIC10, IIC30) Communication

This is a clocked communication function to communicate with two or more devices by using two lines: serial clock (SCL) and serial data (SDA). This communication function is designed to execute single communication with devices such as EEPROM, flash memory, and A/D converter, and therefore, can be used only by the master.

Operate the control registers by software for setting the start and stop conditions while observing the specifications of the I²C bus line

[Data transmission/reception]

- Master transmission, master reception (only master function with a single master)
- ACK output function^{Note} and ACK detection function
- Data length of 8 bits
(When an address is transmitted, the address is specified by the higher 7 bits, and the least significant bit is used for R/W control.)
- Generation of start condition and stop condition for software

[Interrupt function]

- Transfer end interrupt

[Error detection flag]

- Parity error (ACK error)

* [Functions not supported by simplified I²C]

- Slave transmission, slave reception
- Multi-master function (arbitration loss detection function)
- Wait detection function

Note When receiving the last data, ACK will not be output if 0 is written to the SOEmn (SOEm register) bit and serial communication data output is stopped. See the processing flow in **18.8.3 (2)** for details.

Remark m: Unit number (m = 0, 1), n: Channel number (n = 0, 2), mn = 00, 02, 12

The channels supporting simplified I²C (IIC00, IIC10, IIC30) are channels 0 and 2 of SAU0 and channel 2 of SAU1.

Unit	Channel	Used as CSI	Used as UART	Used as Simplified I ² C
0	0	CSI00	UART0 (supporting LIN-bus)	IIC00
	1	–		–
	2	CSI10	UART1	IIC10
	3	–		–
1	0	–	UART2 (supporting IrDA)	–
	1	–		–
	2	CSI30 ^{Note}	UART3 ^{Note}	IIC30 ^{Note}
	3	–		–

Note 100-pin products only

Simplified I²C (IIC00, IIC10, IIC30) performs the following four types of communication operations.

- Address field transmission (See **18.8.1.**)
- Data transmission (See **18.8.2.**)
- Data reception (See **18.8.3.**)
- Stop condition generation (See **18.8.4.**)

18.8.1 Address field transmission

Address field transmission is a transmission operation that first executes in I²C communication to identify the target for transfer (slave). After a start condition is generated, an address (7 bits) and a transfer direction (1 bit) are transmitted in one frame.

Simplified I ² C	IIC00	IIC10	IIC30
Target channel	Channel 0 of SAU0	Channel 2 of SAU0	Channel 2 of SAU1
Pins used	SCL00, SDA00 ^{Note 1}	SCL10, SDA10 ^{Note 1}	SCL30, SDA30 ^{Note 1}
Interrupt	INTIIC00	INTIIC10	INTIIC30
	Transfer end interrupt only (Setting the buffer empty interrupt is prohibited.)		
Error detection flag	ACK error detection flag (PEFmn)		
Transfer data length	8 bits (transmitted with specifying the higher 7 bits as address and the least significant bit as R/W control)		
Transfer rate ^{Note 2}	Max. $f_{MCK}/4$ [Hz] ($SDR_{mn}[15:9] = 1$ or more) f_{MCK} : Operation clock frequency of target channel However, the following condition must be satisfied in each mode of I ² C. <ul style="list-style-type: none"> • Max. 1 MHz (fast mode plus) • Max. 400 kHz (fast mode) • Max. 100 kHz (standard mode) 		
Data level	Non-reversed output (default: high level)		
Parity bit	No parity bit		
Stop bit	Appending 1 bit (for ACK reception timing)		
Data direction	MSB first		

Notes 1. To perform communication via simplified I²C, set the N-ch open-drain output (V_{DD} tolerance) mode for the port output mode register (POM0) (see **4.3.5 Port output mode registers (POMxx)** for details). When IIC00, IIC10, IIC30 communicating with an external device with a different potential, set the N-ch open-drain output (V_{DD} tolerance) mode also for the clock input/output pins (SCL00, SCL10) (see **4.4.4 Connecting to external device with different potential (1.8 V, 2.5 V, 3 V)** for details).

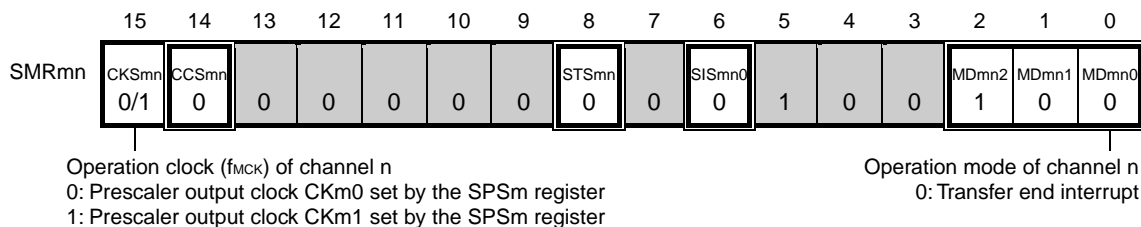
2. Use this operation within a range that satisfies the conditions above and the peripheral functions characteristics in the electrical specifications (see **CHAPTER 41 ELECTRICAL SPECIFICATIONS**).

Remark m: Unit number (m = 0, 1), n: Channel number (n = 0, 2), mn = 00, 02, 12

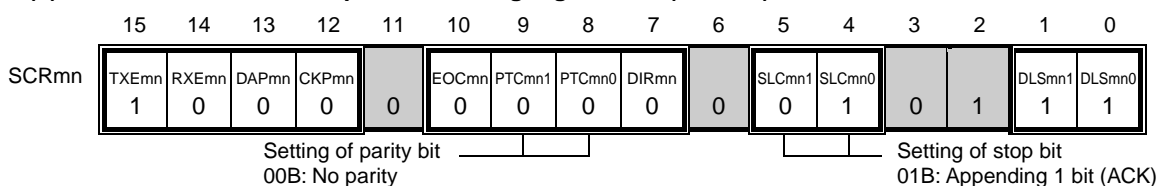
(1) Register setting

Figure 18-104. Example of Contents of Registers for Address Field Transmission of Simplified I²C (IIC00, IIC10, IIC30) (1/2)

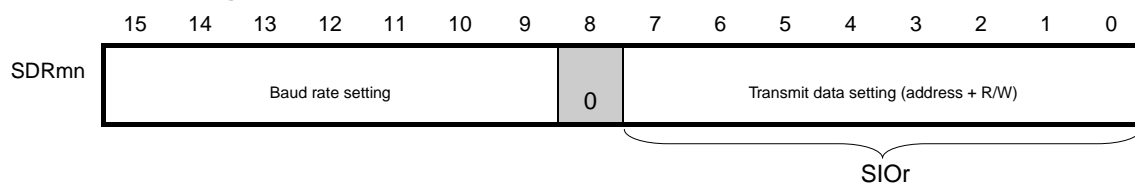
(a) Serial mode register mn (SMRmn)



(b) Serial communication operation setting register mn (SCRmn)



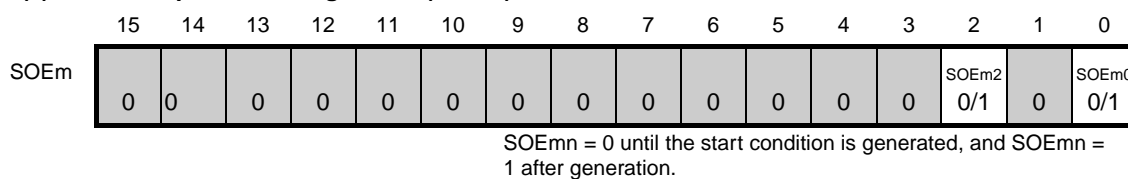
(c) Serial data register mn (SDRmn) (lower 8 bits: SIO_r)



(d) Serial output register m (SOM_m)



(e) Serial output enable register m (SOEm)



<R>

- Remarks 1.** m: Unit number (m = 0, 1), n: Channel number (n = 0, 2), r: IIC number (r = 00, 10, 30), mn = 00, 02, 12
- 2.** □: Setting is fixed in the IIC mode, ■: Setting disabled (set to the initial value)
 ×: Bit that cannot be used in this mode (set to the initial value when not used in any mode)
 0/1: Set to 0 or 1 depending on the usage of the user

Figure 18-104. Example of Contents of Registers for Address Field Transmission of Simplified I²C (IIC00, IIC10, IIC30) (2/2)

(f) Serial channel start register m (SSm) ... Sets only the bits of the target channel is 1.

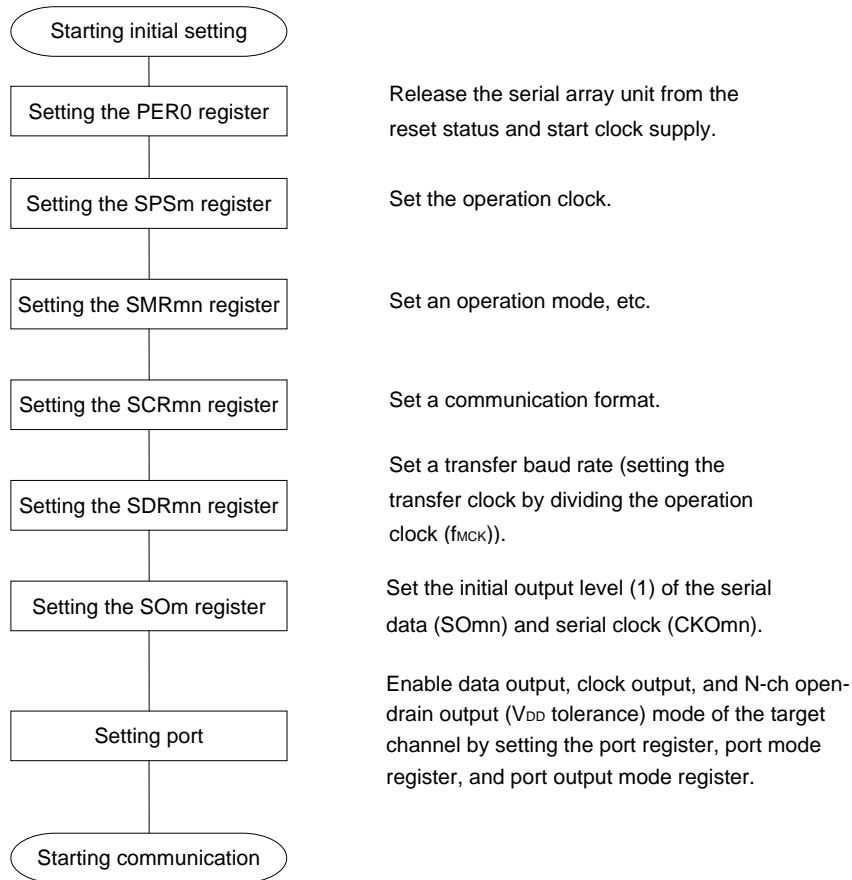
	15	14	13	12	11	10	9	8	7	6	5	4	3	2	1	0
SSm	0	0	0	0	0	0	0	0	0	0	0	0	SSm3 ×	SSm2 0/1	SSm1 ×	SSm0 0/1

SSmn = 0 until the start condition is generated, and SSmn = 1 after generation.

- Remarks 1.** m: Unit number (m = 0, 1), n: Channel number (n = 0, 2), r: IIC number (r = 00, 10, 30), mn = 00, 02, 12
- 2.** : Setting disabled (set to the initial value)
 ×: Bit that cannot be used in this mode (set to the initial value when not used in any mode)
 0/1: Set to 0 or 1 depending on the usage of the user

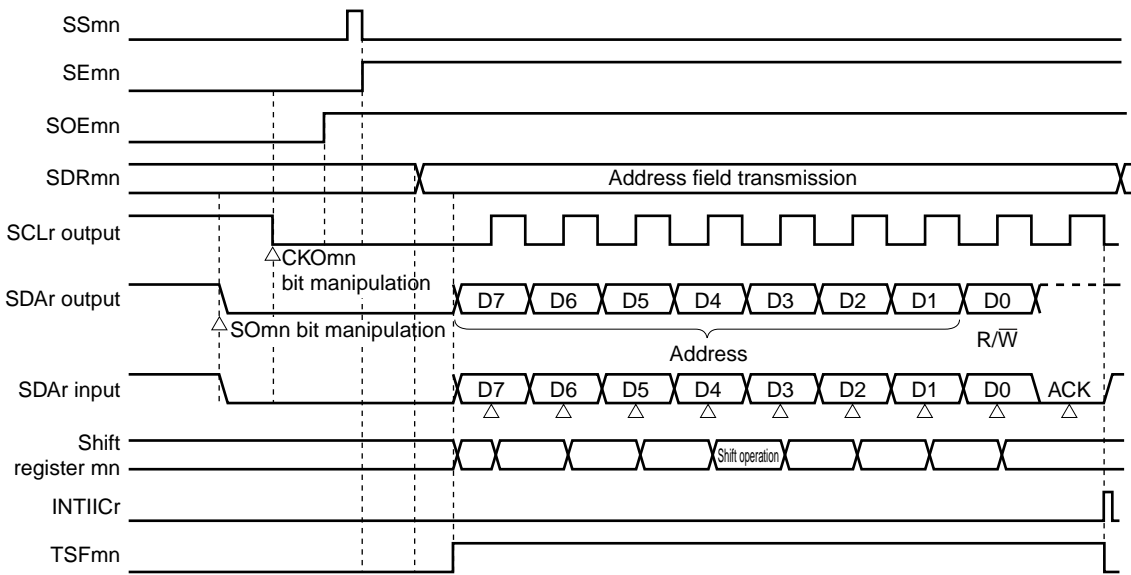
(2) Operation procedure

Figure 18-105. Initial Setting Procedure for Simplified I²C



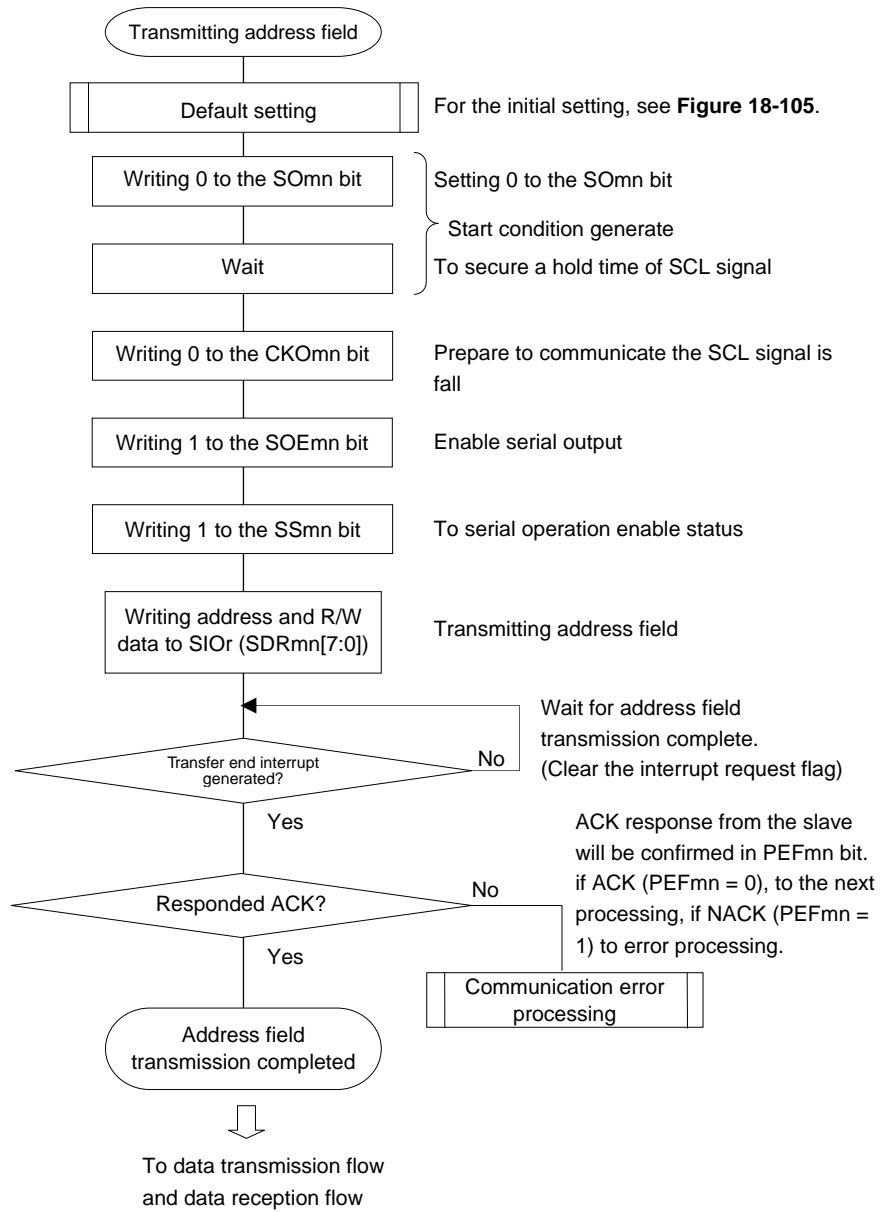
(3) Processing flow

Figure 18-106. Timing Chart of Address Field Transmission



Remark m: Unit number (m = 0, 1), n: Channel number (n = 0, 2), r: IIC number (r = 00, 10, 30), mn = 00, 02, 12

Figure 18-107. Flowchart of Simplified I²C Address Field Transmission



18.8.2 Data transmission

Data transmission is an operation to transmit data to the target for transfer (slave) after transmission of an address field. After all data are transmitted to the slave, a stop condition is generated and the bus is released.

Simplified I ² C	IIC00	IIC10	IIC30
Target channel	Channel 0 of SAU0	Channel 2 of SAU0	Channel 2 of SAU1
Pins used	SCL00, SDA00 ^{Note 1}	SCL10, SDA10 ^{Note 1}	SCL30, SDA30 ^{Note 1}
Interrupt	INTIIC00	INTIIC10	INTIIC30
	Transfer end interrupt only (Setting the buffer empty interrupt is prohibited.)		
Error detection flag	ACK error flag (PEFmn)		
Transfer data length	8 bits		
Transfer rate ^{Note 2}	Max. $f_{MCK}/4$ [Hz] (SDRmn[15:9] = 1 or more) f_{MCK} : Operation clock frequency of target channel However, the following condition must be satisfied in each mode of I ² C. <ul style="list-style-type: none"> • Max. 1 MHz (fast mode plus) • Max. 400 kHz (fast mode) • Max. 100 kHz (standard mode) 		
Data level	Non-reversed output (default: high level)		
Parity bit	No parity bit		
Stop bit	Appending 1 bit (for ACK reception timing)		
Data direction	MSB first		

Notes 1. To perform communication via simplified I²C, set the N-ch open-drain output (V_{DD} tolerance) mode for the port output mode registers (POM0) (see **4.3.5 Port output mode registers (POMxx)** for details). When IIC00, IIC10, IIC30 communicating with an external device with a different potential, set the N-ch open-drain output (V_{DD} tolerance) mode also for the clock input/output pins (SCL00, SCL10) (see **4.4.4 Connecting to external device with different potential (1.8 V, 2.5 V, 3 V)** for details).

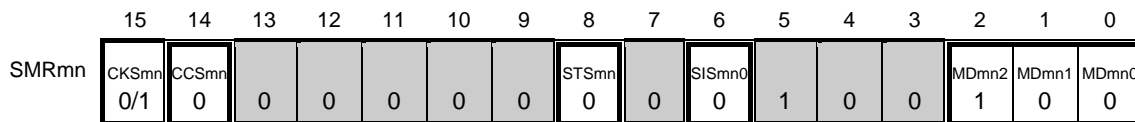
2. Use this operation within a range that satisfies the conditions above and the peripheral functions characteristics in the electrical specifications (see **CHAPTER 41 ELECTRICAL SPECIFICATIONS**).

Remark m: Unit number (m = 0, 1), n: Channel number (n = 0, 2), mn = 00, 02, 12

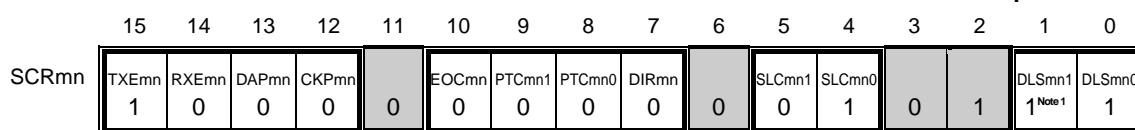
(1) Register setting

Figure 18-108. Example of Contents of Registers for Data Transmission of Simplified I²C (IIC00, IIC10, IIC30) (1/2)

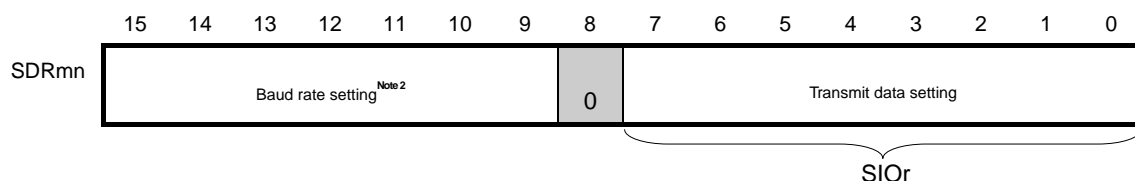
(a) Serial mode register mn (SMRmn) ... Do not manipulate this register during data transmission/reception.



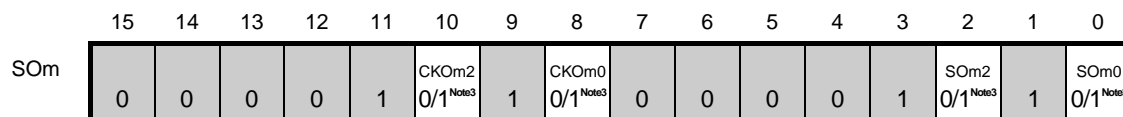
(b) Serial communication operation setting register mn (SCRmn) ... Do not manipulate the bits of this register, except the TXEmn and RXEmn bits, during data transmission/reception.



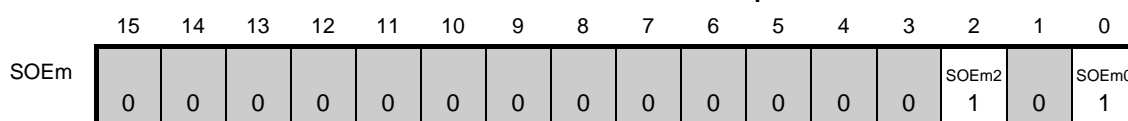
(c) Serial data register mn (SDRmn) (lower 8 bits: SIO_r) ... During data transmission/reception, valid only lower 8-bits (SIO_r)



(d) Serial output register m (SOM_m) ... Do not manipulate this register during data transmission/reception.



(e) Serial output enable register m (SOEm) ... Do not manipulate this register during data transmission/reception.



- Notes**
1. Only provided for the SCR00 register. This bit is fixed to 1 for the other registers.
 2. Because the setting is completed by address field transmission, setting is not required.
 3. The value varies depending on the communication data during communication operation.

- Remarks**
1. m: Unit number (m = 0, 1), n: Channel number (n = 0, 2), r: IIC number (r = 00, 10, 30), mn = 00, 02, 12
 2. : Setting is fixed in the IIC mode, : Setting disabled (set to the initial value)
 ×: Bit that cannot be used in this mode (set to the initial value when not used in any mode)
 0/1: Set to 0 or 1 depending on the usage of the user

Figure 18-108. Example of Contents of Registers for Data Transmission of Simplified I²C (IIC00, IIC10) (2/2)

(f) Serial channel start register m (SSm) ... Do not manipulate this register during data transmission/reception.

	15	14	13	12	11	10	9	8	7	6	5	4	3	2	1	0
SSm	0	0	0	0	0	0	0	0	0	0	0	0	SSm3 ×	SSm2 0/1	SSm1 ×	SSm0 0/1

Remarks 1. m: Unit number (m = 0, 1), n: Channel number (n = 0, 2), r: IIC number (r = 00, 10, 30), mn = 00, 02, 12

2. : Setting disabled (set to the initial value)

×: Bit that cannot be used in this mode (set to the initial value when not used in any mode)

0/1: Set to 0 or 1 depending on the usage of the user

(2) Processing flow

Figure 18-109. Timing Chart of Data Transmission

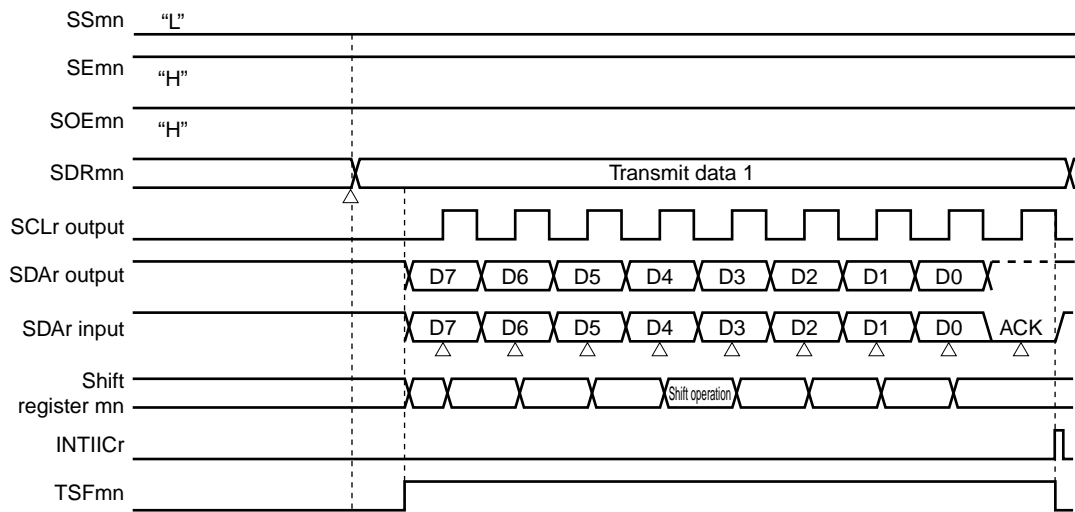
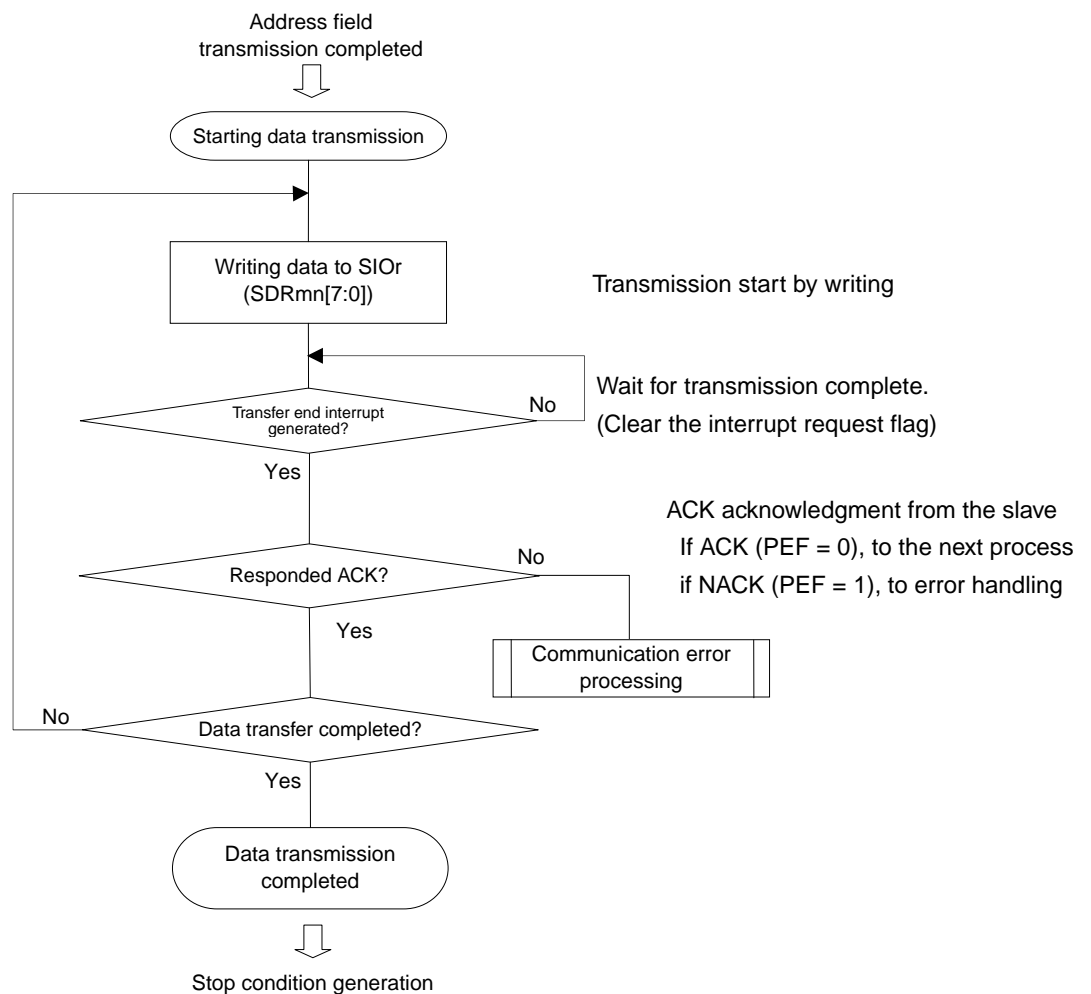


Figure 18-110. Flowchart of Simplified I²C Data Transmission



18.8.3 Data reception

Data reception is an operation to receive data to the target for transfer (slave) after transmission of an address field. After all data are received to the slave, a stop condition is generated and the bus is released.

Simplified I ² C	IIC00	IIC10	IIC30
Target channel	Channel 0 of SAU0	Channel 2 of SAU0	Channel 2 of SAU1
Pins used	SCL00, SDA00 ^{Note 1}	SCL10, SDA10 ^{Note 1}	SCL30, SDA30 ^{Note 1}
Interrupt	INTIIC00	INTIIC10	INTIIC30
	Transfer end interrupt only (Setting the buffer empty interrupt is prohibited.)		
Error detection flag	Overrun error detection flag (OVFmn) only		
Transfer data length	8 bits		
Transfer rate ^{Note 2}	Max. $f_{MCK}/4$ [Hz] (SDRmn[15:9] = 1 or more) f_{MCK} : Operation clock frequency of target channel However, the following condition must be satisfied in each mode of I ² C. <ul style="list-style-type: none"> • Max. 1 MHz (fast mode plus) • Max. 400 kHz (fast mode) • Max. 100 kHz (standard mode) 		
Data level	Non-reversed output (default: high level)		
Parity bit	No parity bit		
Stop bit	Appending 1 bit (ACK transmission)		
Data direction	MSB first		

Notes 1. To perform communication via simplified I²C, set the N-ch open-drain output (V_{DD} tolerance) mode for the port output mode registers (POM0) (see **4.3.5 Port output mode registers (POMxx)** for details). When IIC00, IIC10, IIC30 communicating with an external device with a different potential, set the N-ch open-drain output (V_{DD} tolerance) mode also for the clock input/output pins (SCL00, SCL10) (see **4.4.4 Connecting to external device with different potential (1.8 V, 2.5 V, 3 V)** for details).

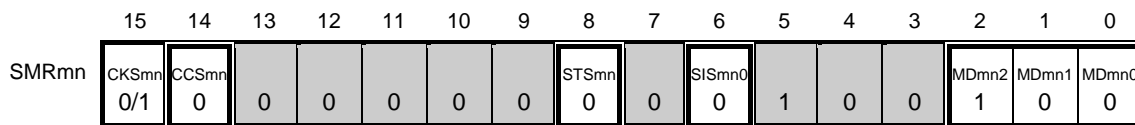
2. Use this operation within a range that satisfies the conditions above and the peripheral functions characteristics in the electrical specifications (see **CHAPTER 41 ELECTRICAL SPECIFICATIONS**).

Remark m: Unit number (m = 0, 1), n: Channel number (n = 0, 2), mn = 00, 02, 12

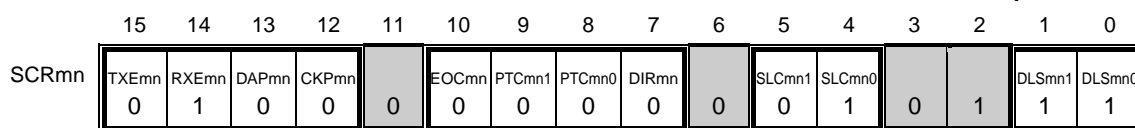
(1) Register setting

Figure 18-111. Example of Contents of Registers for Data Reception of Simplified I²C (IIC00, IIC10, IIC30) (1/2)

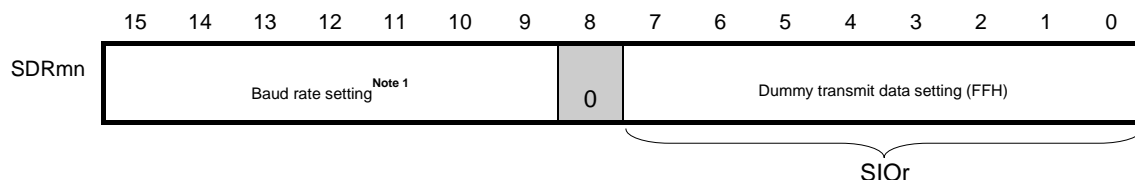
(a) Serial mode register mn (SMRmn) ... Do not manipulate this register during data transmission/reception.



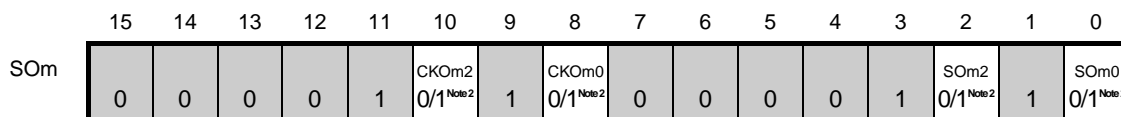
(b) Serial communication operation setting register mn (SCRmn) ... Do not manipulate the bits of this register, except the TXEmn and RXEmn bits, during data transmission/reception.



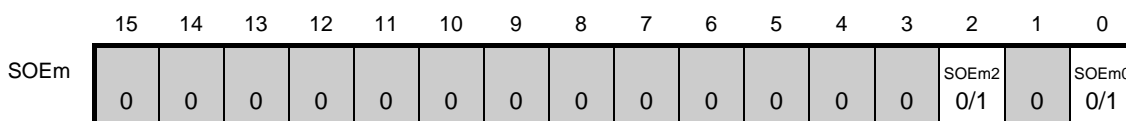
(c) Serial data register mn (SDRmn) (lower 8 bits: SIO_r)



(d) Serial output register m (SO_m) ... Do not manipulate this register during data transmission/reception.



(e) Serial output enable register m (SO_{Em}) ... Do not manipulate this register during data transmission/reception.



<R>

- Notes**
- The baud rate setting is not required because the baud rate has already been set when the address field was transmitted.
 - The value varies depending on the communication data during communication operation.

- Remarks**
- m: Unit number (m = 0, 1), n: Channel number (n = 0, 2), r: IIC number (r = 00, 10, 30), mn = 00, 02, 12
 - : Setting is fixed in the IIC mode, ◻: Setting disabled (set to the initial value)
 ×: Bit that cannot be used in this mode (set to the initial value when not used in any mode)
 0/1: Set to 0 or 1 depending on the usage of the user

Figure 18-111. Example of Contents of Registers for Data Reception of Simplified I²C (IIC00, IIC10, IIC30) (2/2)

(f) Serial channel start register m (SSm) ... Do not manipulate this register during data transmission/reception.

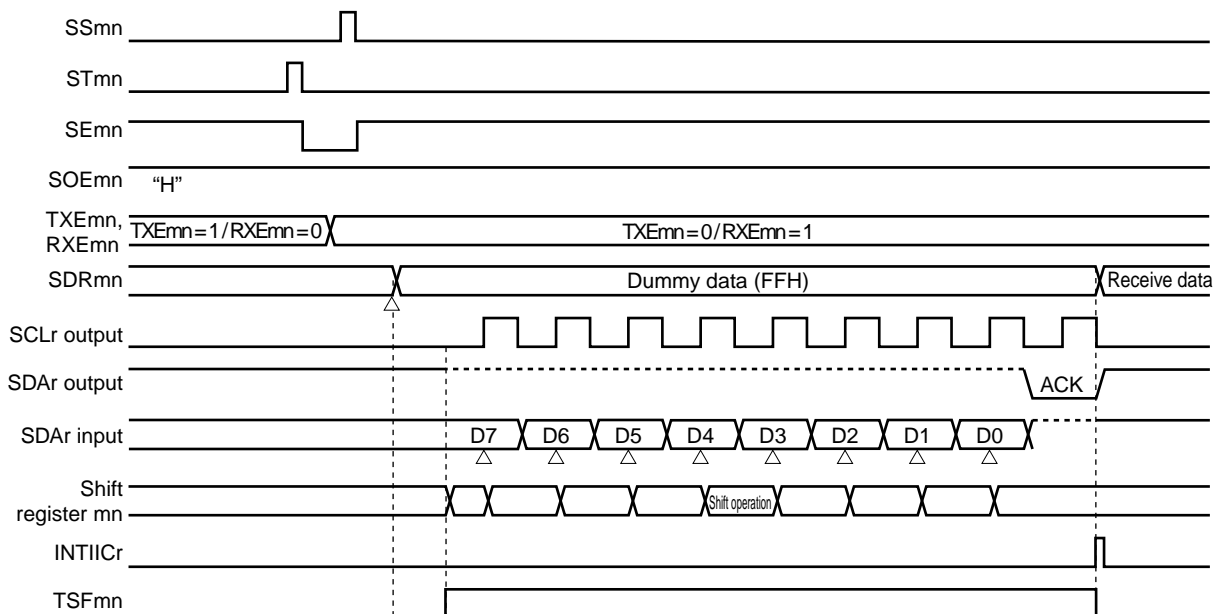
	15	14	13	12	11	10	9	8	7	6	5	4	3	2	1	0
SSm	0	0	0	0	0	0	0	0	0	0	0	0	SSm3 ×	SSm2 0/1	SSm1 ×	SSm0 0/1

- Remarks**
1. m: Unit number (m = 0, 1), n: Channel number (n = 0, 2), r: IIC number (r = 00, 10, 30),
mn = 00, 02, 12
 2. : Setting is fixed in the CSI master transmission mode, : Setting disabled (set to the initial value)
×: Bit that cannot be used in this mode (set to the initial value when not used in any mode)
0/1: Set to 0 or 1 depending on the usage of the user

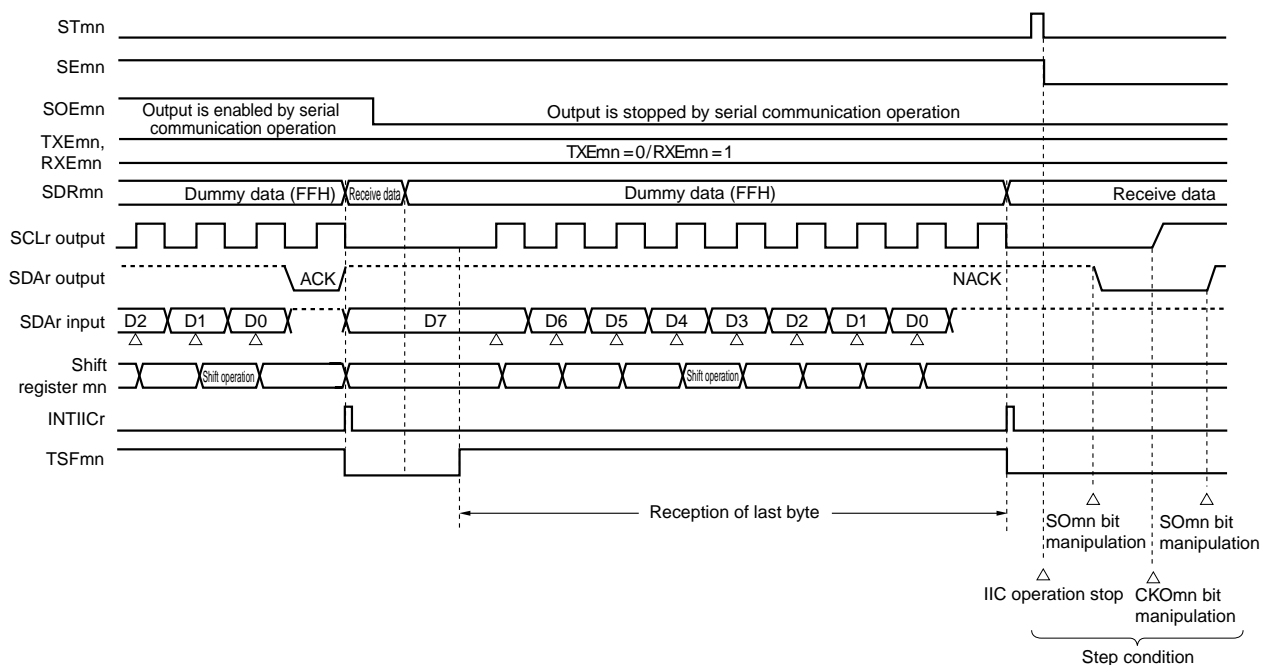
(2) Processing flow

Figure 18-112. Timing Chart of Data Reception

(a) When starting data reception

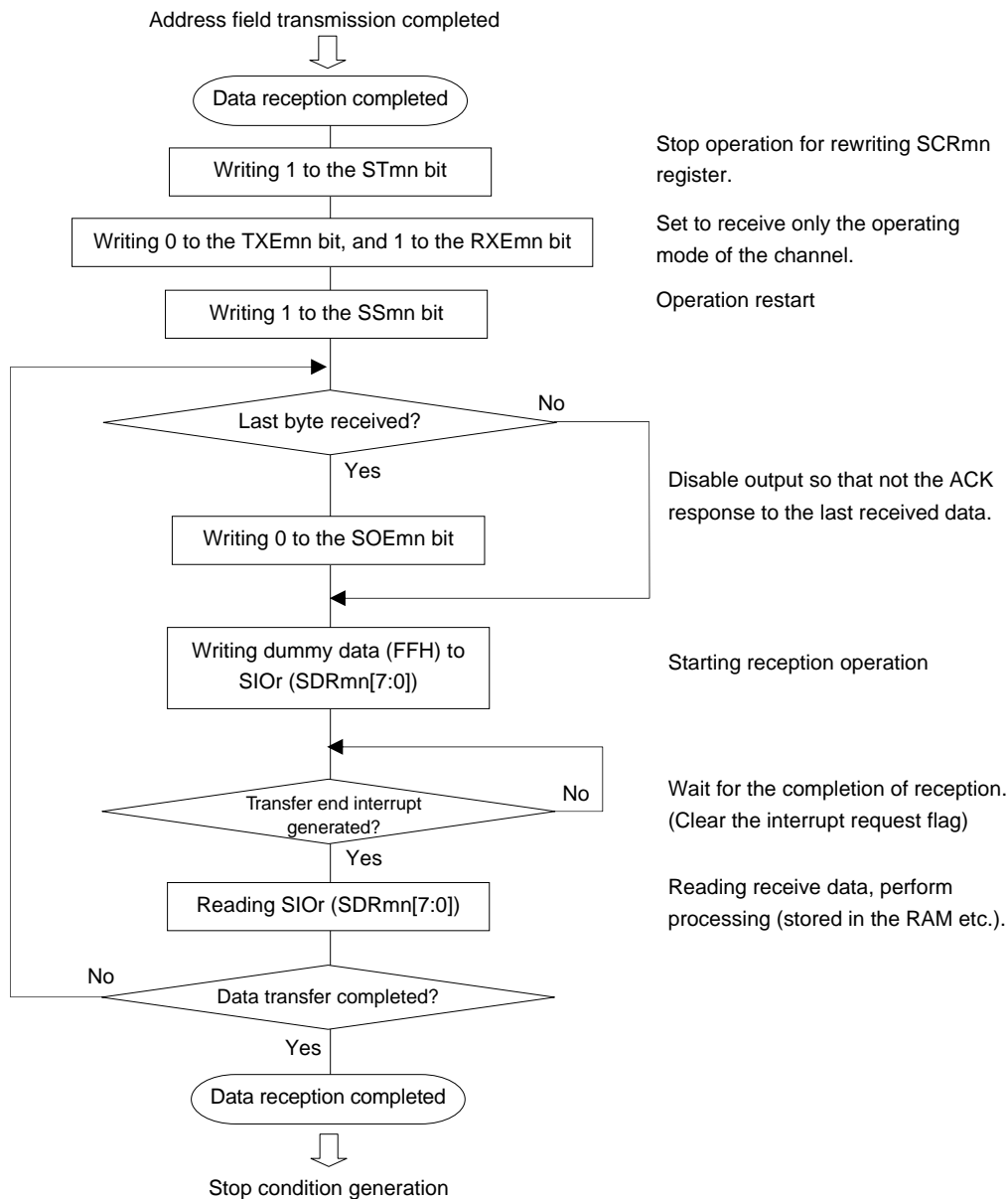


(b) When receiving last data



Remark m: Unit number (m = 0, 1), n: Channel number (n = 0, 2), r: IIC number (r = 00, 10, 30), mn = 00, 02, 12

Figure 18-113. Flowchart of Data Reception



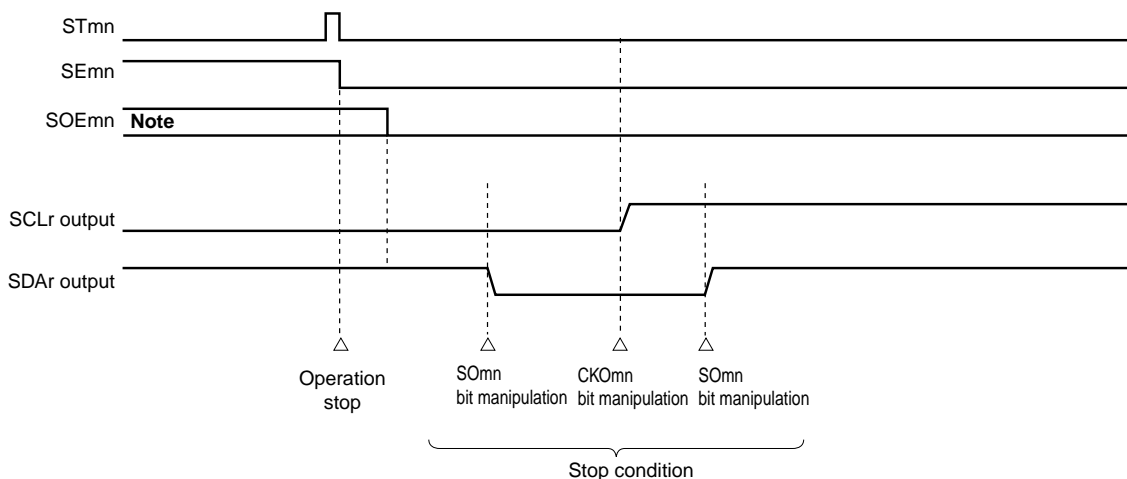
Caution ACK is not output when the last data is received (NACK). Communication is then completed by setting “1” to the STmn bit of serial channel stop register m (STm) to stop operation and generating a stop condition.

18.8.4 Stop condition generation

After all data are transmitted to or received from the target slave, a stop condition is generated and the bus is released.

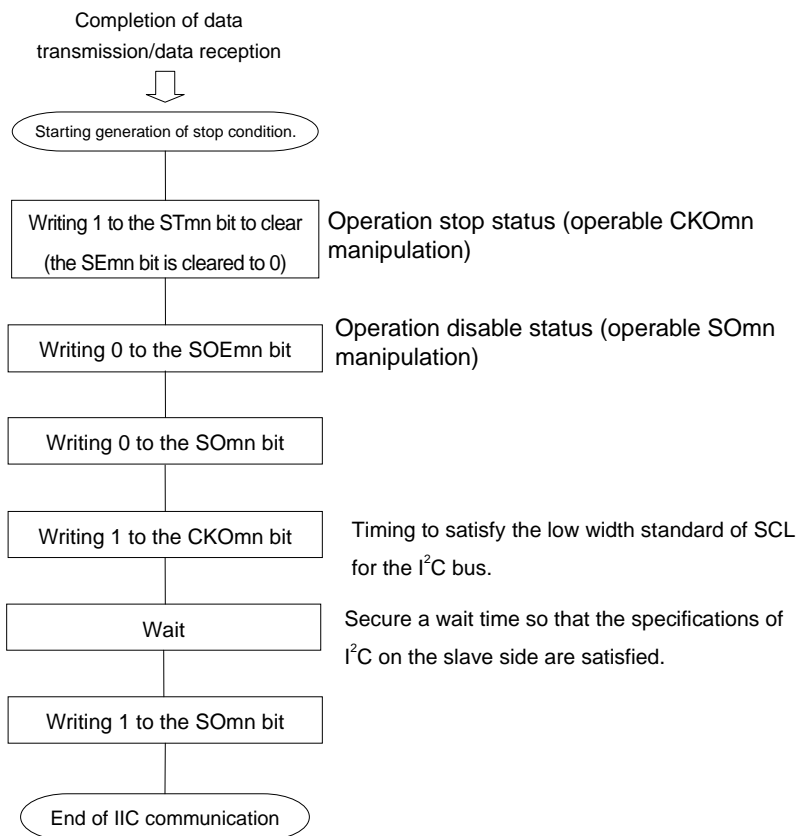
(1) Processing flow

Figure 18-114. Timing Chart of Stop Condition Generation



Note During a receive operation, the SOEmn bit of serial output enable register m (SOEm) is cleared to 0 before receiving the last data.

Figure 18-115. Flowchart of Stop Condition Generation



18.8.5 Calculating transfer rate

The transfer rate for simplified I²C (IIC00, IIC10, IIC30) communication can be calculated by the following expressions.

$$\text{(Transfer rate)} = \{\text{Operation clock (f}_{\text{MCK}}\text{) frequency of target channel}\} \div (\text{SDRmn}[15:9] + 1) \div 2$$

Caution SDRmn[15:9] must not be set to 0000000B. Be sure to set a value of 0000001B or greater for SDRmn[15:9]. The duty ratio of the SCL signal output by the simplified I²C is 50%. The I²C bus specifications define that the low-level width of the SCL signal is longer than the high-level width. If 400 kbps (fast mode) or 1 Mbps (fast mode plus) is specified, therefore, the low-level width of the SCL output signal becomes shorter than the value specified in the I²C bus specifications. Make sure that the SDRmn[15:9] value satisfies the I²C bus specifications.

- Remarks**
1. The value of SDRmn[15:9] is the value of bits 15 to 9 of the SDRmn register (0000001B to 1111111B) and therefore is 1 to 127.
 2. m: Unit number (m = 0, 1), n: Channel number (n = 0, 2), mn = 00, 02, 12

The operation clock (f_{MCK}) is determined by serial clock select register m (SPSm) and bit 15 (CKSmn) of serial mode register mn (SMRmn).

Table 18-5. Selection of Operation Clock For Simplified I²C

SMRmn Register	SPSm Register								Operation Clock (f _{MCK}) ^{Note}	
	CKSmn	PRS m13	PRS m12	PRS m11	PRS m10	PRS m03	PRS m02	PRS m01	PRS m00	f _{CLK} = 24 MHz
0	X	X	X	X	0	0	0	0	f _{CLK}	24 MHz
	X	X	X	X	0	0	0	1	f _{CLK} /2	12 MHz
	X	X	X	X	0	0	1	0	f _{CLK} /2 ²	6 MHz
	X	X	X	X	0	0	1	1	f _{CLK} /2 ³	3 MHz
	X	X	X	X	0	1	0	0	f _{CLK} /2 ⁴	1.5 MHz
	X	X	X	X	0	1	0	1	f _{CLK} /2 ⁵	750 kHz
	X	X	X	X	0	1	1	0	f _{CLK} /2 ⁶	375 kHz
	X	X	X	X	0	1	1	1	f _{CLK} /2 ⁷	187.5 kHz
	X	X	X	X	1	0	0	0	f _{CLK} /2 ⁸	93.8 kHz
	X	X	X	X	1	0	0	1	f _{CLK} /2 ⁹	46.9 kHz
	X	X	X	X	1	0	1	0	f _{CLK} /2 ¹⁰	23.4 kHz
X	X	X	X	1	0	1	1	f _{CLK} /2 ¹¹	11.7 kHz	
1	0	0	0	0	X	X	X	X	f _{CLK}	24 MHz
	0	0	0	1	X	X	X	X	f _{CLK} /2	12 MHz
	0	0	1	0	X	X	X	X	f _{CLK} /2 ²	6 MHz
	0	0	1	1	X	X	X	X	f _{CLK} /2 ³	3 MHz
	0	1	0	0	X	X	X	X	f _{CLK} /2 ⁴	1.5 MHz
	0	1	0	1	X	X	X	X	f _{CLK} /2 ⁵	750 kHz
	0	1	1	0	X	X	X	X	f _{CLK} /2 ⁶	375 kHz
	0	1	1	1	X	X	X	X	f _{CLK} /2 ⁷	187.5 kHz
	1	0	0	0	X	X	X	X	f _{CLK} /2 ⁸	93.8 kHz
	1	0	0	1	X	X	X	X	f _{CLK} /2 ⁹	46.9 kHz
	1	0	1	0	X	X	X	X	f _{CLK} /2 ¹⁰	23.4 kHz
1	0	1	1	X	X	X	X	f _{CLK} /2 ¹¹	11.7 kHz	
Other than above									Setting prohibited	

Note When changing the clock selected for f_{CLK} (by changing the system clock control register (CKC) value), do so after having stopped (serial channel stop register m (STm) = 000FH) the operation of the serial array unit (SAU).

Remarks 1. X: Don't care

2. m: Unit number (m = 0, 1), n: Channel number (n = 0, 2), mn = 00, 02, 12

Here is an example of setting an I²C transfer rate where f_{MCK} = f_{CLK} = 24 MHz.

I ² C Transfer Mode (Desired Transfer Rate)	f _{CLK} = 24 MHz			
	Operation Clock (f _{MCK})	SDRmn[15:9]	Calculated Transfer Rate	Error from Desired Transfer Rate
100 kHz	f _{CLK} /2	59	100 kHz	0.0%
400 kHz	f _{CLK}	29	380 kHz	5.0% ^{Note}
1 MHz	f _{CLK}	5	0.84 MHz	16.0% ^{Note}

Note The error cannot be set to about 0% because the duty ratio of the SCL signal is 50%.

18.8.6 Procedure for processing errors that occurred during simplified I²C (IIC00, IIC10, IIC30) communication

The procedure for processing errors that occurred during simplified I²C (IIC00, IIC10, IIC30) communication is described in Figures 18-116 and 18-117.

Figure 18-116. Processing Procedure in Case of Overrun Error

Software Manipulation	Hardware Status	Remark
Reads serial data register mn (SDRmn). →	The BFFmn bit of the SSRmn register is set to 0 and channel n is enabled to receive data.	This is to prevent an overrun error if the next reception is completed during error processing.
Reads serial status register mn (SSRmn).		The error type is identified and the read value is used to clear the error flag.
Writes 1 to serial flag clear trigger register mn (SIRmn). →	The error flag is cleared.	The error only during reading can be cleared, by writing the value read from the SSRmn register to the SIRmn register without modification.

Figure 18-117. Processing Procedure in Case of ACK Error in Simplified I²C Mode

Software Manipulation	Hardware Status	Remark
Reads serial status register mn (SSRmn).		The error type is identified and the read value is used to clear the error flag.
Writes 1 to serial flag clear trigger register mn (SIRmn). →	The error flag is cleared.	The error only during reading can be cleared, by writing the value read from the SSRmn register to the SIRmn register without modification.
Sets the STmn bit of serial channel stop register m (STm) to 1. →	The SEMn bit of serial channel enable status register m (SEm) is set to 0 and channel n stops operation.	The slave is not ready for reception because ACK is not returned. Therefore, a stop condition is created, the bus is released, and communication is started again from the start condition. Or, a restart condition is generated and transmission can be redone from address transmission.
Creates a stop condition.		
Creates a start condition.		
Sets the SSmn bit of serial channel start register m (SSm) to 1. →	The SEMn bit of serial channel enable status register m (SEm) is set to 1 and channel n is enabled to operate.	

Remark m: Unit number (m = 0, 1), n: Channel number (n = 0, 2), r: IIC number (r = 00, 10, 30), mn = 00, 02, 12

CHAPTER 19 SERIAL INTERFACE IICA

19.1 Functions of Serial Interface IICA

Serial interface IICA has the following three modes.

(1) Operation stop mode

This mode is used when serial transfers are not performed. It can therefore be used to reduce power consumption.

(2) I²C bus mode (multimaster supported)

This mode is used for 8-bit data transfers with several devices via two lines: a serial clock (SCLAn) line and a serial data bus (SDAAn) line.

This mode complies with the I²C bus format and the master device can generate “start condition”, “address”, “transfer direction specification”, “data”, and “stop condition” data to the slave device, via the serial data bus. The slave device automatically detects these received status and data by hardware. This function can simplify the part of application program that controls the I²C bus.

Since the SCLAn and SDAAn pins are used for open drain outputs, serial interface IICA requires pull-up resistors for the serial clock line and the serial data bus line.

(3) Wakeup mode

The STOP mode can be released by generating an interrupt request signal (INTIICAn) when an extension code from the master device or a local address has been received while in STOP mode. This can be set by using the WUPn bit of IICA control register n1 (IICCTLn1).

Figure 19-1 shows a block diagram of serial interface IICA.

Remark n = 0

Figure 19-1. Block Diagram of Serial Interface IICA0

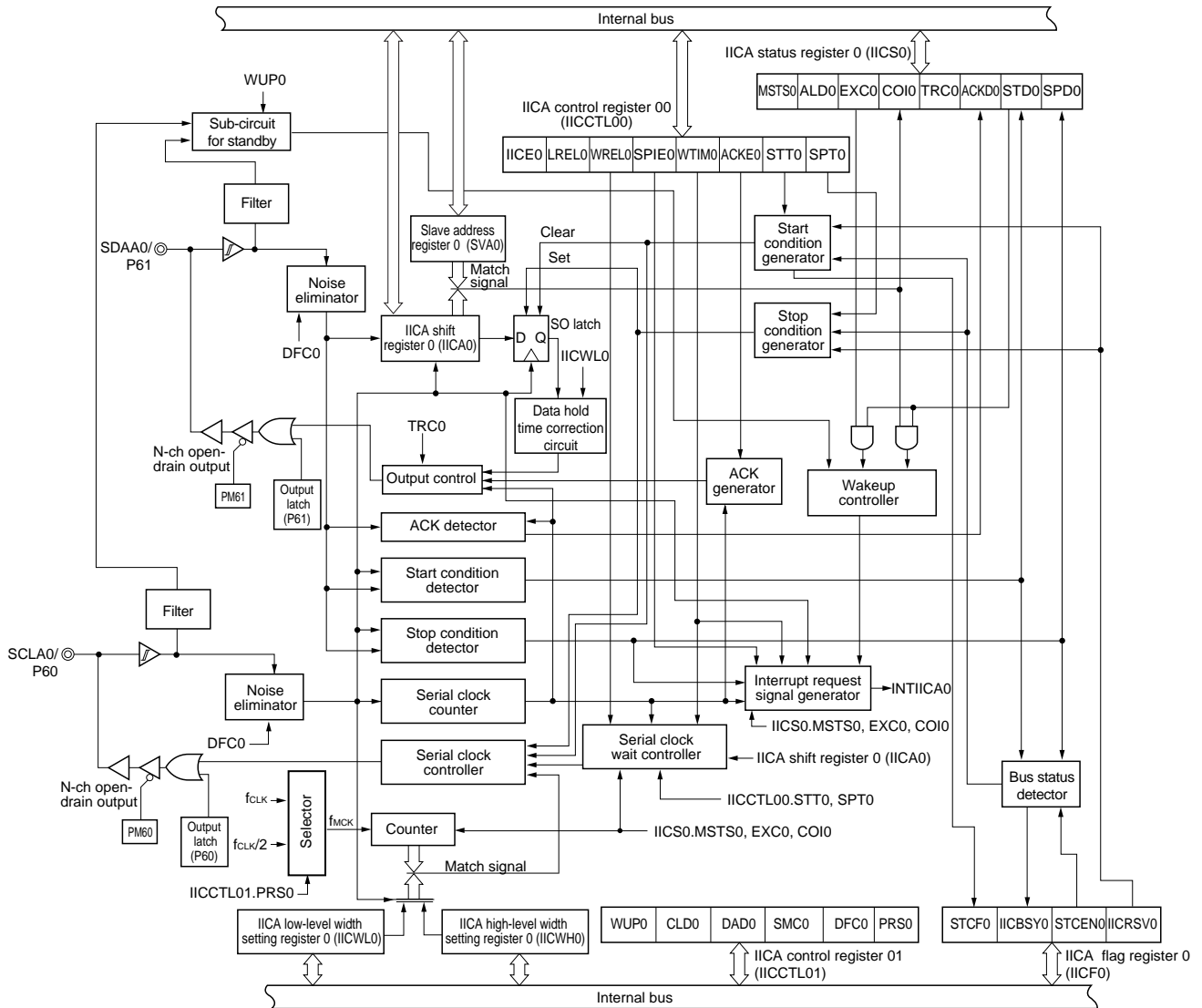
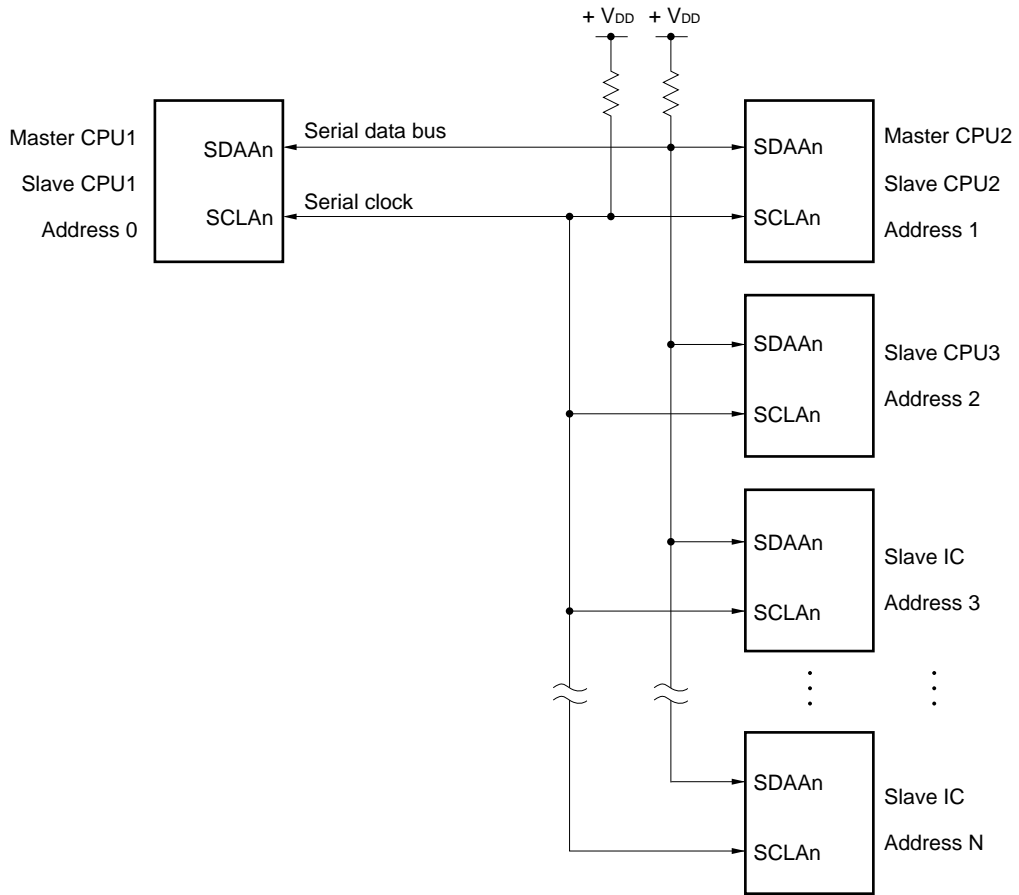


Figure 19-2 shows a serial bus configuration example.

Figure 19-2. Serial Bus Configuration Example Using I²C Bus



Remark n = 0

19.2 Configuration of Serial Interface IICA

Serial interface IICA includes the following hardware.

Table 19-1. Configuration of Serial Interface IICA

Item	Configuration
Registers	IICA shift register n (IICAn) Slave address register n (SVAn)
Control registers	Peripheral enable register 0 (PER0) Peripheral Reset Control Register 0 (PRR0) IICA control register n0 (IICCTLn0) IICA status register n (IICSn) IICA flag register n (IICFn) IICA control register n1 (IICCTLn1) IICA low-level width setting register n (IICWLn) IICA high-level width setting register n (IICWHn) Port mode register 6 (PM6) Port register 6 (P6)

Remark n = 0

(1) IICA shift register n (IICAn)

The IICAn register is used to convert 8-bit serial data to 8-bit parallel data and vice versa in synchronization with the serial clock. The IICAn register can be used for both transmission and reception.

The actual transmit and receive operations can be controlled by writing and reading operations to the IICAn register.

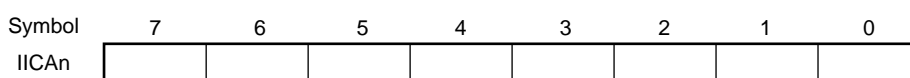
Cancel the wait state and start data transfer by writing data to the IICAn register during the wait period.

The IICAn register can be set by an 8-bit memory manipulation instruction.

Reset signal generation clears IICAn to 00H.

Figure 19-3. Format of IICA Shift Register n (IICAn)

Address: FFF50H After reset: 00H R/W



- Cautions**
1. Do not write data to the IICAn register during data transfer.
 2. Write or read the IICAn register only during the wait period. Accessing the IICAn register in a communication state other than during the wait period is prohibited. When the device serves as the master, however, the IICAn register can be written only once after the communication trigger bit (STTn) is set to 1.
 3. When communication is reserved, write data to the IICAn register after the interrupt triggered by a stop condition is detected.

Remark n = 0

(2) Slave address register n (SVAn)

This register stores seven bits of local addresses {A6, A5, A4, A3, A2, A1, A0} when in slave mode.

The SVAn register can be set by an 8-bit memory manipulation instruction.

However, rewriting to this register is prohibited while $STDn = 1$ (while the start condition is detected).

Reset signal generation clears the SVAn register to 00H.

Figure 19-4. Format of Slave Address Register n (SVAn)

Address: F0234H After reset: 00H R/W

Symbol	7	6	5	4	3	2	1	0
SVAn	A6	A5	A4	A3	A2	A1	A0	0 ^{Note}

Note Bit 0 is fixed to 0.

(3) SO latch

The SO latch is used to retain the SDAAn pin's output level.

(4) Wakeup controller

This circuit generates an interrupt request (INTIICAn) when the address received by this register matches the address value set to the slave address register n (SVAn) or when an extension code is received.

(5) Serial clock counter

This counter counts the serial clocks that are output or input during transmit/receive operations and is used to verify that 8-bit data was transmitted or received.

(6) Interrupt request signal generator

This circuit controls the generation of interrupt request signals (INTIICAn).

An I²C interrupt request is generated by the following two triggers.

- Falling edge of eighth or ninth clock of the serial clock (set by the WTIMn bit)
- Interrupt request generated when a stop condition is detected (set by the SPIEn bit)

Remark WTIMn bit: Bit 3 of IICA control register n0 (IICCTLn0)

SPIEn bit: Bit 4 of IICA control register n0 (IICCTLn0)

(7) Serial clock controller

In master mode, this circuit generates the clock output via the SCLAn pin from a sampling clock.

(8) Serial clock wait controller

This circuit controls the wait timing.

(9) ACK generator, stop condition detector, start condition detector, and ACK detector

These circuits generate and detect each status.

(10) Data hold time correction circuit

This circuit generates the hold time for data corresponding to the falling edge of the serial clock.

Remark n = 0

(11) Start condition generator

This circuit generates a start condition when the STTn bit is set to 1.

However, in the communication reservation disabled status (IICRSVn bit = 1), when the bus is not released (IICBSYn bit = 1), start condition requests are ignored and the STCFn bit is set to 1.

(12) Stop condition generator

This circuit generates a stop condition when the SPTn bit is set to 1.

(13) Bus status detector

This circuit detects whether or not the bus is released by detecting start conditions and stop conditions.

However, as the bus status cannot be detected immediately following operation, the initial status is set by the STCENn bit.

- Remarks 1.**
- | | |
|--------------|--|
| STTn bit: | Bit 1 of IICA control register n0 (IICCTLn0) |
| SPTn bit: | Bit 0 of IICA control register n0 (IICCTLn0) |
| IICRSVn bit: | Bit 0 of IICA flag register n (IICFn) |
| IICBSYn bit: | Bit 6 of IICA flag register n (IICFn) |
| STCFn bit: | Bit 7 of IICA flag register n (IICFn) |
| STCENn bit: | Bit 1 of IICA flag register n (IICFn) |
- 2.** n = 0

19.3 Registers Controlling Serial Interface IICA

Serial interface IICA is controlled by the following ten registers.

- Peripheral enable register 0 (PER0)
- Peripheral Reset Control Register 0 (PRR0)
- IICA control register n0 (IICCTLn0)
- IICA flag register n (IICFn)
- IICA status register n (IICSn)
- IICA control register n1 (IICCTLn1)
- IICA low-level width setting register n (IICWLn)
- IICA high-level width setting register n (IICWHn)
- Port mode register 6 (PM6)
- Port register 6 (P6)

Remark n = 0

19.3.1 Peripheral enable register 0 (PER0)

This register is used to enable or disable supplying the clock to the peripheral hardware. Clock supply to a hardware macro that is not used is stopped in order to reduce the power consumption and noise.

When serial interface IICA0 is used, be sure to set bit 4 (IICA0EN) of this register to 1.

The PER0 register can be set by a 1-bit or 8-bit memory manipulation instruction.

Reset signal generation clears this register to 00H.

Figure 19-5. Format of Peripheral Enable Register 0 (PER0)

Address: F00F0H After reset: 00H R/W

Symbol	7	<6>	<5>	<4>	<3>	<2>	1	<0>
PER0	0	IRDAEN	ADCEN	IICA0EN	SAU1EN	SAU0EN	0	TAU0EN

IICA0EN	Control of serial interface IICA0 input clock supply
0	Stops input clock supply. <ul style="list-style-type: none"> SFR used by the serial interface IICA0 cannot be written. The read value is 0H. However, the SFR is not initialized. ^{Note}
1	Enables input clock supply. <ul style="list-style-type: none"> SFR used by the serial interface IICA0 can be read and written.

Note To initialize the serial interface IICA0 and the SFR used by the serial interface IICA0, use bit 4 (IICA0RES) of PRR0.

Cautions 1. When setting serial interface IICAn, be sure to set the following registers first while the IICAnEN bit is set to 1. If IICAnEN = 0, writing to the control registers of serial interface IICA is ignored (except for port mode register 6 (PM6) and port register 6 (P6)).

- IICA control register n0 (IICCTLn0)
- IICA flag register n (IICFn)
- IICA status register n (IICSn)
- IICA control register n1 (IICCTLn1)
- IICA low-level width setting register n (IICWLn)
- IICA high-level width setting register n (IICWHn)

2. Be sure to clear bit 7, 1 to “0”.

Remark n = 0

19.3.2 Peripheral reset control register 0 (PRR0)

The PRR0 register is used to control resetting of the on-chip peripheral modules.
 Each bit in this register controls resetting and release of the reset state of the corresponding on-chip peripheral module.
 To reset the serial interface IICA0, be sure to set bits 4 (IICA0RES) to 1.
 The PRR0 register can be set by a 1-bit or an 8-bit memory manipulation instruction.
 Reset signal generation clears the PRR0 register to 00H.

Figure 19-6. Format of Peripheral Reset Control Register 0 (PRR0)

Address: F00F1H After reset: 00H R/W

Symbol	7	<6>	<5>	<4>	<3>	<2>	1	<0>
PRR0	0	IRDARES	ADCRES	IICA0RES	SAU1RES	SAU0RES	0	TAU0RES
IICA0RES	Control resetting of the serial interface IICA0							
0	Release of the reset state of the serial interface IICA0							
1	The serial interface IICA0 is in the reset state.							

19.3.3 IICA control register n0 (IICCTLn0)

This register is used to enable/stop I²C operations, set wait timing, and set other I²C operations.
 The IICCTLn0 register can be set by a 1-bit or 8-bit memory manipulation instruction. However, set the SPIEn, WTIMn, and ACKEn bits while IICEn = 0 or during the wait period. These bits can be set at the same time when the IICEn bit is set from “0” to “1”.
 Reset signal generation clears this register to 00H.

Remark n = 0

Figure 19-7. Format of IICA Control Register n0 (IICCTLn0) (1/4)

Address: F0230H After reset: 00H R/W

Symbol	<7>	<6>	<5>	<4>	<3>	<2>	<1>	<0>
IICCTLn0	IICEn	LRELn	WRELn	SPIEn	WTIMn	ACKEn	STTn	SPTn
IICEn	I ² C operation enable							
0	Stop operation. Reset the IICA status register n (IICSn) ^{Note 1} . Stop internal operation.							
1	Enable operation.							
Be sure to set this bit (1) while the SCLAn and SDAAn lines are at high level.								
Condition for clearing (IICEn = 0)					Condition for setting (IICEn = 1)			
<ul style="list-style-type: none"> • Cleared by instruction • Reset 					<ul style="list-style-type: none"> • Set by instruction 			
LRELn ^{Notes 2, 3}	Exit from communications							
0	Normal operation							
1	This exits from the current communications and sets standby mode. This setting is automatically cleared to 0 after being executed. Its uses include cases in which a locally irrelevant extension code has been received. The SCLAn and SDAAn lines are set to high impedance. The following flags of IICA control register n0 (IICCTLn0) and the IICA status register n (IICSn) are cleared to 0. • STTn • SPTn • MSTSn • EXCn • COIn • TRCn • ACKDn • STDn							
The standby mode following exit from communications remains in effect until the following communications entry conditions are met. <ul style="list-style-type: none"> • After a stop condition is detected, restart is in master mode. • An address match or extension code reception occurs after the start condition. 								
Condition for clearing (LRELn = 0)					Condition for setting (LRELn = 1)			
<ul style="list-style-type: none"> • Automatically cleared after execution • Reset 					<ul style="list-style-type: none"> • Set by instruction 			
WRELn ^{Notes 2, 3}	Wait cancellation							
0	Do not cancel wait							
1	Cancel wait. This setting is automatically cleared after wait is canceled.							
When the WRELn bit is set (wait canceled) during the wait period at the ninth clock pulse in the transmission status (TRCn = 1), the SDAAn line goes into the high impedance state (TRCn = 0).								
Condition for clearing (WRELn = 0)					Condition for setting (WRELn = 1)			
<ul style="list-style-type: none"> • Automatically cleared after execution • Reset 					<ul style="list-style-type: none"> • Set by instruction 			

- Notes**
1. The IICA status register n (IICSn), the STCFn and IICBSYn bits of the IICA flag register n (IICFn), and the CLDn and DADn bits of IICA control register n1 (IICCTLn1) are reset.
 2. The signal of this bit is invalid while IICEn is 0.
 3. When the LRELn and WRELn bits are read, 0 is always read.

Caution If the operation of I²C is enabled (IICEn = 1) when the SCLAn line is high level, the SDAAn line is low level, and the digital filter is turned on (DFCn bit of IICCTLn1 register = 1), a start condition will be inadvertently detected immediately. In this case, set (1) the LRELn bit by using a 1-bit memory manipulation instruction immediately after enabling operation of I²C (IICEn = 1).

Remark n = 0

Figure 19-7. Format of IICA Control Register n0 (IICCTLn0) (2/4)

SPIEn ^{Notes 1}	Enable/disable generation of interrupt request when stop condition is detected	
0	Disable	
1	Enable	
If the WUPn bit of IICA control register n1 (IICCTLn1) is 1, no stop condition interrupt will be generated even if SPIEn = 1.		
Condition for clearing (SPIEn = 0)		Condition for setting (SPIEn = 1)
<ul style="list-style-type: none"> • Cleared by instruction • Reset 		<ul style="list-style-type: none"> • Set by instruction

WTIMn ^{Note 1}	Control of wait and interrupt request generation	
0	Interrupt request is generated at the eighth clock's falling edge. Master mode: After output of eight clocks, clock output is set to low level and wait is set. Slave mode: After input of eight clocks, the clock is set to low level and wait is set for master device.	
1	Interrupt request is generated at the ninth clock's falling edge. Master mode: After output of nine clocks, clock output is set to low level and wait is set. Slave mode: After input of nine clocks, the clock is set to low level and wait is set for master device.	
An interrupt is generated at the falling edge of the ninth clock during address transfer independently of the setting of this bit. The setting of this bit is valid when the address transfer is completed. When in master mode, a wait is inserted at the falling edge of the ninth clock during address transfers. For a slave device that has received a local address, a wait is inserted at the falling edge of the ninth clock after an acknowledge (ACK) is issued. However, when the slave device has received an extension code, a wait is inserted at the falling edge of the eighth clock.		
Condition for clearing (WTIMn = 0)		Condition for setting (WTIMn = 1)
<ul style="list-style-type: none"> • Cleared by instruction • Reset 		<ul style="list-style-type: none"> • Set by instruction

ACKEn ^{Notes 1,2}	Acknowledgment control	
0	Disable acknowledgment.	
1	Enable acknowledgment. During the ninth clock period, the SDAAn line is set to low level.	
Condition for clearing (ACKEn = 0)		Condition for setting (ACKEn = 1)
<ul style="list-style-type: none"> • Cleared by instruction • Reset 		<ul style="list-style-type: none"> • Set by instruction

- Notes**
1. The signal of this bit is invalid while IICEn is 0. Set this bit during that period.
 2. The set value is invalid during address transfer and if the code is not an extension code.
 When the device serves as a slave and the addresses match, an acknowledgment is generated regardless of the set value.

Remark n = 0

Figure 19-7. Format of IICA Control Register n0 (IICCTLn0) (3/4)

STTn ^{Notes 1, 2}	Start condition trigger
0	Do not generate a start condition.
1	<p>When bus is released (in standby state, when IICBSYn = 0): If this bit is set (1), a start condition is generated (startup as the master).</p> <p>When a third party is communicating:</p> <ul style="list-style-type: none"> • When communication reservation function is enabled (IICRSVn = 0) Functions as the start condition reservation flag. When set to 1, automatically generates a start condition after the bus is released. • When communication reservation function is disabled (IICRSVn = 1) Even if this bit is set (1), the STTn bit is cleared and the STTn clear flag (STCFn) is set (1). No start condition is generated. <p>In the wait state (when master device): Generates a restart condition after releasing the wait.</p>
<p>Cautions concerning set timing</p> <ul style="list-style-type: none"> • For master reception: Cannot be set to 1 during transfer. Can be set to 1 only in the waiting period when the ACKEn bit has been cleared to 0 and slave has been notified of final reception. • For master transmission: A start condition cannot be generated normally during the acknowledge period. Set to 1 during the wait period that follows output of the ninth clock. • Cannot be set to 1 at the same time as stop condition trigger (SPTn). • Once STTn is set (1), setting it again (1) before the clear condition is met is not allowed. 	
Condition for clearing (STTn = 0)	Condition for setting (STTn = 1)
<ul style="list-style-type: none"> • Cleared by setting the STTn bit to 1 while communication reservation is prohibited. • Cleared by loss in arbitration • Cleared after start condition is generated by master device • Cleared by LRELn = 1 (exit from communications) • When IICEn = 0 (operation stop) • Reset 	<ul style="list-style-type: none"> • Set by instruction

- Notes**
1. The signal of this bit is invalid while IICEn is 0.
 2. The STTn bit is always read as 0.

- Remarks**
1. IICRSVn: Bit 0 of IIC flag register n (IICFn)
 STCFn: Bit 7 of IIC flag register n (IICFn)
 2. n = 0

Figure 19-7. Format of IICA Control Register n0 (IICCTLn0) (4/4)

SPTn ^{Note}	Stop condition trigger	
0	Stop condition is not generated.	
1	Stop condition is generated (termination of master device's transfer).	
<p>Cautions concerning set timing</p> <ul style="list-style-type: none"> • For master reception: Cannot be set to 1 during transfer. Can be set to 1 only in the waiting period when the ACKEn bit has been cleared to 0 and slave has been notified of final reception. • For master transmission: A stop condition cannot be generated normally during the acknowledge period. Therefore, set it during the wait period that follows output of the ninth clock. • Cannot be set to 1 at the same time as start condition trigger (STTn). • The SPTn bit can be set to 1 only when in master mode. • When the WTIMn bit has been cleared to 0, if the SPTn bit is set to 1 during the wait period that follows output of eight clocks, note that a stop condition will be generated during the high-level period of the ninth clock. The WTIMn bit should be changed from 0 to 1 during the wait period following the output of eight clocks, and the SPTn bit should be set to 1 during the wait period that follows the output of the ninth clock. • Once SPTn is set (1), setting it again (1) before the clear condition is met is not allowed. 		
Condition for clearing (SPTn = 0)		Condition for setting (SPTn = 1)
<ul style="list-style-type: none"> • Cleared by loss in arbitration • Automatically cleared after stop condition is detected • Cleared by LRELn = 1 (exit from communications) • When IICEn = 0 (operation stop) • Reset 		<ul style="list-style-type: none"> • Set by instruction

Note The SPTn bit is always read as 0.

Caution When bit 3 (TRCn) of the IICA status register n (IICSn) is set to 1 (transmission status), bit 5 (WRELn) of IICA control register n0 (IICCTLn0) is set to 1 during the ninth clock and wait is canceled, after which the TRCn bit is cleared (reception status) and the SDAAn line is set to high impedance. Release the wait performed while the TRCn bit is 1 (transmission status) by writing to the IICA shift register n.

Remark n = 0

19.3.4 IICA status register n (IICSn)

This register indicates the status of I²C.

The IICSn register is read by a 1-bit or 8-bit memory manipulation instruction only when STTn = 1 and during the wait period.

Reset signal generation clears this register to 00H.

Caution Reading the IICSn register while the address match wakeup function is enabled (WUPn = 1) in STOP mode is prohibited. When the WUPn bit is changed from 1 to 0 (wakeup operation is stopped), regardless of the INTIICAn interrupt request, the change in status is not reflected until the next start condition or stop condition is detected. To use the wakeup function, therefore, enable (SPIEn = 1) the interrupt generated by detecting a stop condition and read the IICSn register after the interrupt has been detected.

Remark STTn: bit 1 of IICA control register n0 (IICCTLn0)
 WUPn: bit 7 of IICA control register n1 (IICCTLn1)

Figure 19-8. Format of IICA Status Register n (IICSn) (1/3)

Address: FFF51H After reset: 00H R

Symbol	<7>	<6>	<5>	<4>	<3>	<2>	<1>	<0>
IICSn	MSTS _n	ALD _n	EXC _n	COI _n	TRC _n	ACKD _n	STD _n	SPD _n

MSTS _n	Master status check flag
0	Slave device status or communication standby status
1	Master device communication status
Condition for clearing (MSTS _n = 0)	
<ul style="list-style-type: none"> • When a stop condition is detected • When ALD_n = 1 (arbitration loss) • Cleared by LREL_n = 1 (exit from communications) • When the IICEn bit changes from 1 to 0 (operation stop) • Reset 	
Condition for setting (MSTS _n = 1)	
<ul style="list-style-type: none"> • When a start condition is generated 	

ALD _n	Detection of arbitration loss
0	This status means either that there was no arbitration or that the arbitration result was a "win".
1	This status indicates the arbitration result was a "loss". The MSTS _n bit is cleared.
Condition for clearing (ALD _n = 0)	
<ul style="list-style-type: none"> • Automatically cleared after the IICSn register is read^{Note} • When the IICEn bit changes from 1 to 0 (operation stop) • Reset 	
Condition for setting (ALD _n = 1)	
<ul style="list-style-type: none"> • When the arbitration result is a "loss". 	

Note This register is also cleared when a 1-bit memory manipulation instruction is executed for bits other than the IICSn register. Therefore, when using the ALD_n bit, read the data of this bit before the data of the other bits.

Remarks 1. LREL_n: Bit 6 of IICA control register n0 (IICCTLn0)
 IICEn: Bit 7 of IICA control register n0 (IICCTLn0)
 2. n = 0

Figure 19-8. Format of IICA Status Register n (IICSn) (2/3)

EXCn	Detection of extension code reception	
0	Extension code was not received.	
1	Extension code was received.	
Condition for clearing (EXCn = 0)		Condition for setting (EXCn = 1)
<ul style="list-style-type: none"> When a start condition is detected When a stop condition is detected Cleared by LRELn = 1 (exit from communications) When the IICEn bit changes from 1 to 0 (operation stop) Reset 		<ul style="list-style-type: none"> When the higher four bits of the received address data is either "0000" or "1111" (set at the rising edge of the eighth clock).

COIn	Detection of matching addresses	
0	Addresses do not match.	
1	Addresses match.	
Condition for clearing (COIn = 0)		Condition for setting (COIn = 1)
<ul style="list-style-type: none"> When a start condition is detected When a stop condition is detected Cleared by LRELn = 1 (exit from communications) When the IICEn bit changes from 1 to 0 (operation stop) Reset 		<ul style="list-style-type: none"> When the received address matches the local address (slave address register n (SVAn)) (set at the rising edge of the eighth clock).

TRCn	Detection of transmit/receive status	
0	Receive status (other than transmit status). The SDAAn line is set for high impedance.	
1	Transmit status. The value in the SOn latch is enabled for output to the SDAAn line (valid starting at the falling edge of the first byte's ninth clock).	
Condition for clearing (TRCn = 0)		Condition for setting (TRCn = 1)
<p><Both master and slave></p> <ul style="list-style-type: none"> When a stop condition is detected Cleared by LRELn = 1 (exit from communications) When the IICEn bit changes from 1 to 0 (operation stop) Cleared by WRELn = 1^{Note} (wait cancel) When the ALDn bit changes from 0 to 1 (arbitration loss) Reset When not used for communication (MSTSn, EXCn, COIn = 0) <p><Master></p> <ul style="list-style-type: none"> When "1" is output to the first byte's LSB (transfer direction specification bit) <p><Slave></p> <ul style="list-style-type: none"> When a start condition is detected When "0" is input to the first byte's LSB (transfer direction specification bit) 		<p><Master></p> <ul style="list-style-type: none"> When a start condition is generated When 0 (master transmission) is output to the LSB (transfer direction specification bit) of the first byte (during address transfer) <p><Slave></p> <ul style="list-style-type: none"> When 1 (slave transmission) is input to the LSB (transfer direction specification bit) of the first byte from the master (during address transfer)

Note When bit 3 (TRCn) of the IICA status register n (IICSn) is set to 1 (transmission status), bit 5 (WRELn) of IICA control register n0 (IICCTLn0) is set to 1 during the ninth clock and wait is canceled, after which the TRCn bit is cleared (reception status) and the SDAAn line is set to high impedance. Release the wait performed while the TRCn bit is 1 (transmission status) by writing to the IICA shift register n.

Remarks 1. LRELn: Bit 6 of IICA control register n0 (IICCTLn0)
 IICEn: Bit 7 of IICA control register n0 (IICCTLn0)
 2. n = 0

Figure 19-8. Format of IICA Status Register n (IICSn) (3/3)

ACKDn	Detection of acknowledge (ACK)	
0	Acknowledge was not detected.	
1	Acknowledge was detected.	
Condition for clearing (ACKDn = 0)		Condition for setting (ACKDn = 1)
<ul style="list-style-type: none"> • When a stop condition is detected • At the rising edge of the next byte's first clock • Cleared by LRELn = 1 (exit from communications) • When the IICEn bit changes from 1 to 0 (operation stop) • Reset 		<ul style="list-style-type: none"> • After the SDAAn line is set to low level at the rising edge of SCLAn line's ninth clock

STDn	Detection of start condition	
0	Start condition was not detected.	
1	Start condition was detected. This indicates that the address transfer period is in effect.	
Condition for clearing (STDn = 0)		Condition for setting (STDn = 1)
<ul style="list-style-type: none"> • When a stop condition is detected • At the rising edge of the next byte's first clock following address transfer • Cleared by LRELn = 1 (exit from communications) • When the IICEn bit changes from 1 to 0 (operation stop) • Reset 		<ul style="list-style-type: none"> • When a start condition is detected

SPDn	Detection of stop condition	
0	Stop condition was not detected.	
1	Stop condition was detected. The master device's communication is terminated and the bus is released.	
Condition for clearing (SPDn = 0)		Condition for setting (SPDn = 1)
<ul style="list-style-type: none"> • At the rising edge of the address transfer byte's first clock following setting of this bit and detection of a start condition • When the WUPn bit changes from 1 to 0 • When the IICEn bit changes from 1 to 0 (operation stop) • Reset 		<ul style="list-style-type: none"> • When a stop condition is detected

- Remarks 1.** LRELn: Bit 6 of IICA control register n0 (IICCTLn0)
IICEn: Bit 7 of IICA control register n0 (IICCTLn0)
- 2.** n = 0

19.3.5 IICA flag register n (IICFn)

This register sets the operation mode of I²C and indicates the status of the I²C bus.

The IICFn register can be set by a 1-bit or 8-bit memory manipulation instruction. However, the STTn clear flag (STCFn) and I²C bus status flag (IICBSYn) bits are read-only.

The IICRSVn bit can be used to enable/disable the communication reservation function.

The STCENn bit can be used to set the initial value of the IICBSYn bit.

The IICRSVn and STCENn bits can be written only when the operation of I²C is disabled (bit 7 (IICEn) of IICA control register n0 (IICCTLn0) = 0). When operation is enabled, the IICFn register can be read.

Reset signal generation clears this register to 00H.

Figure 19-9. Format of IICA Flag Register n (IICFn)

Address: FFF52H After reset: 00H R/W^{Note}

Symbol	<7>	<6>	5	4	3	2	<1>	<0>
IICFn	STCFn	IICBSYn	0	0	0	0	STCENn	IICRSVn

STCFn	STTn clear flag	
0	Generate start condition	
1	Start condition generation unsuccessful: clear the STTn flag	
Condition for clearing (STCFn = 0)		Condition for setting (STCFn = 1)
<ul style="list-style-type: none"> Cleared by STTn = 1 When IICEn = 0 (operation stop) Reset 		<ul style="list-style-type: none"> Generating start condition unsuccessful and the STTn bit cleared to 0 when communication reservation is disabled (IICRSVn = 1).

IICBSYn	I ² C bus status flag	
0	Bus release status (communication initial status when STCENn = 1)	
1	Bus communication status (communication initial status when STCENn = 0)	
Condition for clearing (IICBSYn = 0)		Condition for setting (IICBSYn = 1)
<ul style="list-style-type: none"> Detection of stop condition When IICEn = 0 (operation stop) Reset 		<ul style="list-style-type: none"> Detection of start condition Setting of the IICEn bit when STCENn = 0

STCENn	Initial start enable trigger	
0	After operation is enabled (IICEn = 1), enable generation of a start condition upon detection of a stop condition.	
1	After operation is enabled (IICEn = 1), enable generation of a start condition without detecting a stop condition.	
Condition for clearing (STCENn = 0)		Condition for setting (STCENn = 1)
<ul style="list-style-type: none"> Cleared by instruction Detection of start condition Reset 		<ul style="list-style-type: none"> Set by instruction

IICRSVn	Communication reservation function disable bit	
0	Enable communication reservation	
1	Disable communication reservation	
Condition for clearing (IICRSVn = 0)		Condition for setting (IICRSVn = 1)
<ul style="list-style-type: none"> Cleared by instruction Reset 		<ul style="list-style-type: none"> Set by instruction

Note Bits 6 and 7 are read-only.

- Cautions**
1. Write to the STCENn bit only when the operation is stopped (IICEn = 0).
 2. As the bus release status (IICBSYn = 0) is recognized regardless of the actual bus status when STCENn = 1, when generating the first start condition (STTn = 1), it is necessary to verify that no third party communications are in progress in order to prevent such communications from being destroyed.
 3. Write to IICRSVn only when the operation is stopped (IICEn = 0).

- Remarks**
1. STTn: Bit 1 of IICA control register n0 (IICCTLn0)
IICEn: Bit 7 of IICA control register n0 (IICCTLn0)
 2. n = 0

19.3.6 IICA control register n1 (IICCTLn1)

This register is used to set the operation mode of I²C and detect the statuses of the SCLAn and SDAAn pins.

The IICCTLn1 register can be set by a 1-bit or 8-bit memory manipulation instruction. However, the CLDn and DADn bits are read-only.

Set the IICCTLn1 register, except the WUPn bit, while operation of I²C is disabled (bit 7 (IICEn) of IICA control register n0 (IICCTLn0) is 0).

Reset signal generation clears this register to 00H.

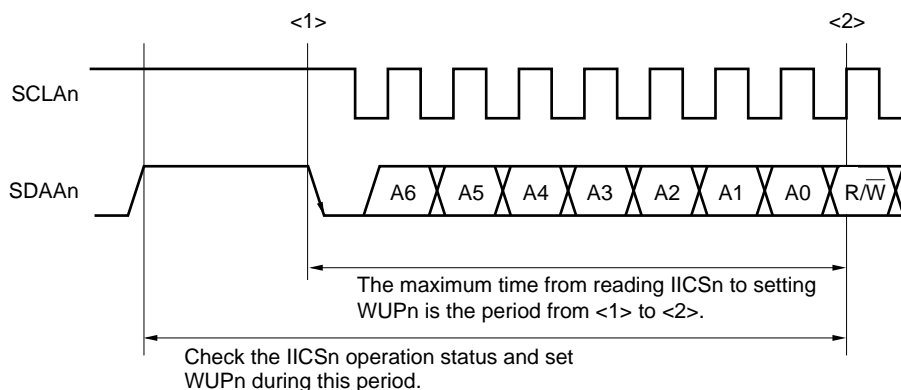
Figure 19-10. Format of IICA Control Register n1 (IICCTLn1) (1/2)

Address: F0231H After reset: 00H R/W^{Note 1}

Symbol	<7>	6	<5>	<4>	<3>	<2>	1	<0>
IICCTLn1	WUPn	0	CLDn	DADn	SMCn	DFCn	0	PRSn

WUPn	Control of address match wakeup
0	Stops operation of address match wakeup function in STOP mode.
1	Enables operation of address match wakeup function in STOP mode.
<p>To shift to STOP mode when WUPn = 1, execute the STOP instruction at least three clocks of f_{MCK} after setting (1) the WUPn bit (see Figure 19-23 Flow When Setting WUPn = 1).</p> <p>Clear (0) the WUPn bit after the address has matched or an extension code has been received. The subsequent communication can be entered by the clearing (0) WUPn bit. (The wait must be released and transmit data must be written after the WUPn bit has been cleared (0).)</p> <p>The interrupt timing when the address has matched or when an extension code has been received, while WUPn = 1, is identical to the interrupt timing when WUPn = 0. (A delay of the difference of sampling by the clock will occur.) Furthermore, when WUPn = 1, a stop condition interrupt is not generated even if the SPIEn bit is set to 1.</p>	
Condition for clearing (WUPn = 0)	Condition for setting (WUPn = 1)
<ul style="list-style-type: none"> • Cleared by instruction (after address match or extension code reception) 	<ul style="list-style-type: none"> • Set by instruction (when the MSTSn, EXCn, and COIn bits are "0", and the STDn bit also "0" (communication not entered))^{Note 2}

- Notes 1.** Bits 4 and 5 are read-only.
- 2.** The status of the IICA status register n (IICSn) must be checked and the WUPn bit must be set during the period shown below.



Remark n = 0

Figure 19-10. Format of IICA Control Register n1 (IICCTLn1) (2/2)

CLDn	Detection of SCLAn pin level (valid only when IICEn = 1)	
0	The SCLAn pin was detected at low level.	
1	The SCLAn pin was detected at high level.	
Condition for clearing (CLDn = 0)		Condition for setting (CLDn = 1)
<ul style="list-style-type: none"> When the SCLAn pin is at low level When IICEn = 0 (operation stop) Reset 		<ul style="list-style-type: none"> When the SCLAn pin is at high level

DADn	Detection of SDAAn pin level (valid only when IICEn = 1)	
0	The SDAAn pin was detected at low level.	
1	The SDAAn pin was detected at high level.	
Condition for clearing (DADn = 0)		Condition for setting (DADn = 1)
<ul style="list-style-type: none"> When the SDAAn pin is at low level When IICEn = 0 (operation stop) Reset 		<ul style="list-style-type: none"> When the SDAAn pin is at high level

SMCn	Operation mode switching	
0	Operates in standard mode (fastest transfer rate: 100 kbps).	
1	Operates in fast mode (fastest transfer rate: 400 kbps) or fast mode plus (fastest transfer rate: 1 Mbps).	

DFCn	Digital filter operation control	
0	Digital filter off.	
1	Digital filter on.	
<p>Digital filter can be used only in fast mode and fast mode plus. The digital filter is used for noise elimination. The transfer clock does not vary, regardless of the DFCn bit being set (1) or cleared (0).</p>		

PRSn	IICA operation clock (f _{MCK}) control	
0	Selects f _{CLK} (1 MHz ≤ f _{CLK} ≤ 20 MHz)	
1	Selects f _{CLK} /2 (20 MHz < f _{CLK})	

- Cautions**
- The maximum operating frequency of the IICA operating clock (f_{MCK}) is 20 MHz (Max.). Set the IICA control register n1 (IICCTLn1) bit 0 (PRSn) to “1” only when f_{CLK} exceeds 20 MHz.
 - Note the minimum f_{CLK} operation frequency when setting the transfer clock. The minimum f_{CLK} operation frequency for serial interface IICA is determined according to the mode.
 - Fast mode: f_{CLK} = 3.5 MHz (MIN.)
 - Fast mode plus: f_{CLK} = 10 MHz (MIN.)
 - Normal mode: f_{CLK} = 1 MHz (MIN.)
 - The fast mode plus is only available in the products for “A: Consumer applications (T_A = -40°C to +85°C)” and “D: Industrial applications (T_A = -40°C to +85°C)”.

- Remarks**
- IICEn: Bit 7 of IICA control register n0 (IICCTLn0)
 - n = 0

19.3.7 IICA low-level width setting register n (IICWLn)

This register is used to set the low-level width (t_{LOW}) of the SCLAn pin signal that is output by serial interface IICA and to control the SDAAn pin signal.

The IICWLn register can be set by an 8-bit memory manipulation instruction.

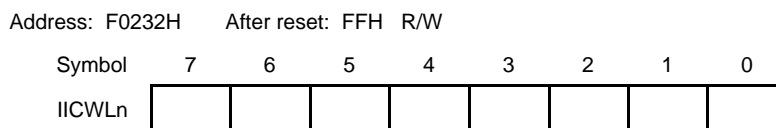
Set the IICWLn register while operation of I²C is disabled (bit 7 (IICEn) of IICA control register n0 (IICCTLn0) is 0).

Reset signal generation sets this register to FFH.

For details about setting the IICWLn register, see **19.4.2 Setting transfer clock by using IICWLn and IICWHn registers.**

<R> The data hold time is one-quarter of the time set by the IICWLn register.

Figure 19-11. Format of IICA Low-Level Width Setting Register n (IICWLn)



19.3.8 IICA high-level width setting register n (IICWHn)

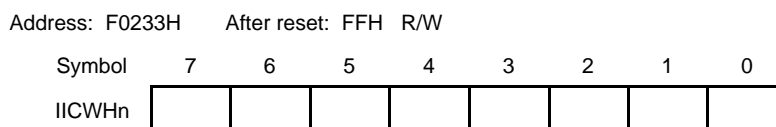
This register is used to set the high-level width of the SCLAn pin signal that is output by serial interface IICA and to control the SDAAn pin signal.

The IICWHn register can be set by an 8-bit memory manipulation instruction.

Set the IICWHn register while operation of I²C is disabled (bit 7 (IICEn) of IICA control register n0 (IICCTLn0) is 0).

Reset signal generation sets this register to FFH.

Figure 19-12. Format of IICA High-Level Width Setting Register n (IICWHn)



- Remarks**
1. For setting procedures of the transfer clock on master side and of the IICWLn and IICWHn registers on slave side, see **19.4.2 (1)** and **19.4.2 (2)**, respectively.
 2. n = 0

19.3.9 Port mode register 6 (PM6)

This register sets the input/output of port 6 in 1-bit units.

When using the P60/SCLA0 pin as clock I/O and the P61/SDAA0 pin as serial data I/O, clear PM60 and PM61, and the output latches of P60 and P61 to 0.

Set the IICEn bit (bit 7 of IICA control register n0 (IICCTLn0)) to 1 before setting the output mode because the P60/SCLA0 and P61/SDAA0 pins output a low level (fixed) when the IICEn bit is 0.

The PM6 register can be set by a 1-bit or 8-bit memory manipulation instruction.

Reset signal generation sets this register to FFH.

Figure 19-13. Format of Port Mode Register 6 (PM6)

Address: FFF26H After reset: FFH R/W

Symbol	7	6	5	4	3	2	1	0
PM6	1	1	1	1	1	PM62	PM61	PM60

PM6n	P6n pin I/O mode selection (n = 0 to 2)
0	Output mode (output buffer on)
1	Input mode (output buffer off)

19.4 I²C Bus Mode Functions

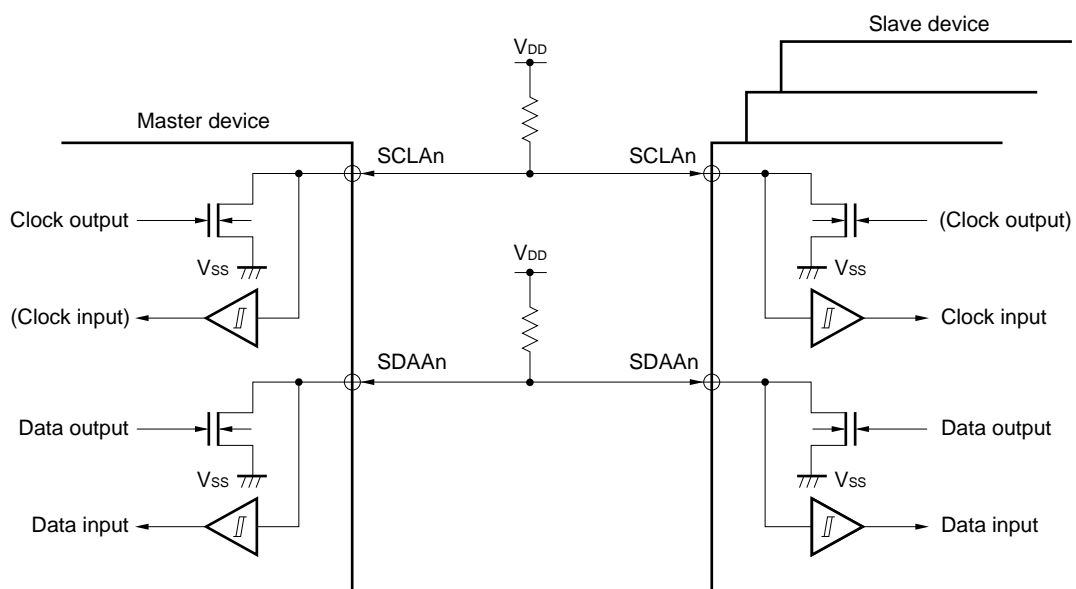
19.4.1 Pin configuration

The serial clock pin (SCLAn) and the serial data bus pin (SDAAn) are configured as follows.

- (1) SCLAn This pin is used for serial clock input and output.
This pin is an N-ch open-drain output for both master and slave devices. Input is Schmitt input.
- (2) SDAAn This pin is used for serial data input and output.
This pin is an N-ch open-drain output for both master and slave devices. Input is Schmitt input.

Since outputs from the serial clock line and the serial data bus line are N-ch open-drain outputs, an external pull-up resistor is required.

Figure 19-14. Pin Configuration Diagram



Remark n = 0

19.4.2 Setting transfer clock by using IICWLn and IICWHn registers

(1) Setting transfer clock on master side

$$\text{Transfer clock} = \frac{f_{\text{MCK}}}{\text{IICWL0} + \text{IICWH0} + f_{\text{MCK}}(t_{\text{R}} + t_{\text{F}})}$$

At this time, the optimal setting values of the IICWLn and IICWHn registers are as follows.
(The fractional parts of all setting values are rounded up.)

- When the fast mode

$$\begin{aligned} \text{IICWLn} &= \frac{0.52}{\text{Transfer clock}} \times f_{\text{MCK}} \\ \text{IICWHn} &= \left(\frac{0.48}{\text{Transfer clock}} - t_{\text{R}} - t_{\text{F}} \right) \times f_{\text{MCK}} \end{aligned}$$

- When the normal mode

$$\begin{aligned} \text{IICWLn} &= \frac{0.47}{\text{Transfer clock}} \times f_{\text{MCK}} \\ \text{IICWHn} &= \left(\frac{0.53}{\text{Transfer clock}} - t_{\text{R}} - t_{\text{F}} \right) \times f_{\text{MCK}} \end{aligned}$$

- When the fast mode plus

$$\begin{aligned} \text{IICWLn} &= \frac{0.50}{\text{Transfer clock}} \times f_{\text{MCK}} \\ \text{IICWHn} &= \left(\frac{0.50}{\text{Transfer clock}} - t_{\text{R}} - t_{\text{F}} \right) \times f_{\text{MCK}} \end{aligned}$$

(2) Setting IICWLn and IICWHn registers on slave side

(The fractional parts of all setting values are truncated.)

- When the fast mode

$$\begin{aligned} \text{IICWLn} &= 1.3 \mu\text{s} \times f_{\text{MCK}} \\ \text{IICWHn} &= (1.2 \mu\text{s} - t_{\text{R}} - t_{\text{F}}) \times f_{\text{MCK}} \end{aligned}$$

- When the normal mode

$$\begin{aligned} \text{IICWLn} &= 4.7 \mu\text{s} \times f_{\text{MCK}} \\ \text{IICWHn} &= (5.3 \mu\text{s} - t_{\text{R}} - t_{\text{F}}) \times f_{\text{MCK}} \end{aligned}$$

- When the fast mode plus

$$\begin{aligned} \text{IICWLn} &= 0.50 \mu\text{s} \times f_{\text{MCK}} \\ \text{IICWHn} &= (0.50 \mu\text{s} - t_{\text{R}} - t_{\text{F}}) \times f_{\text{MCK}} \end{aligned}$$

(**Caution** and **Remarks** are listed on the next page.)

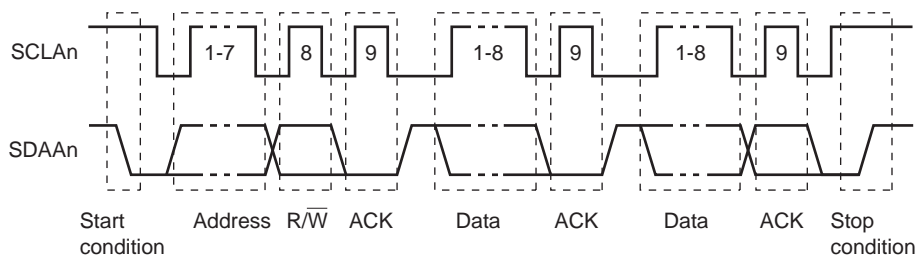
- Cautions**
- 1. The fastest operation frequency of the IICA operation clock (f_{MCK}) is 20 MHz (Max.).**
Set bit 0 (PRSn) of the IICA control register n1 (IICCTLn1) to “1” only when the f_{CLK} exceeds 20 MHz.
 - 2. Note the minimum f_{CLK} operation frequency when setting the transfer clock. The minimum f_{CLK} operation frequency for serial interface IICA is determined according to the mode.**
Fast mode: $f_{CLK} = 3.5 \text{ MHz (MIN.)}$
Fast mode plus: $f_{CLK} = 10 \text{ MHz (MIN.)}$
Normal mode: $f_{CLK} = 1 \text{ MHz (MIN.)}$

- Remarks**
1. Calculate the rise time (t_R) and fall time (t_F) of the SDAAn and SCLAn signals separately, because they differ depending on the pull-up resistance and wire load.
 2. IICWLn: IICA low-level width setting register n
IICWHn: IICA high-level width setting register n
 t_F : SDAAn and SCLAn signal falling times
 t_R : SDAAn and SCLAn signal rising times
 f_{MCK} : IICA operation clock frequency
 3. $n = 0$

19.5 I²C Bus Definitions and Control Methods

The following section describes the I²C bus's serial data communication format and the signals used by the I²C bus. Figure 19-15 shows the transfer timing for the "start condition", "address", "data", and "stop condition" output via the I²C bus's serial data bus.

Figure 19-15. I²C Bus Serial Data Transfer Timing



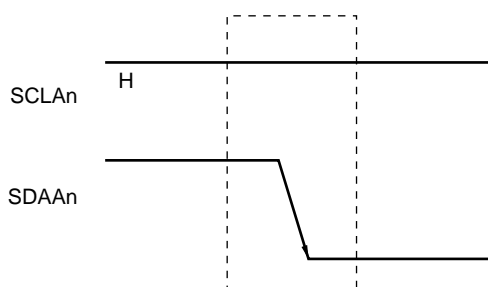
The master device generates the start condition, slave address, and stop condition. The acknowledge (ACK) can be generated by either the master or slave device (normally, it is output by the device that receives 8-bit data).

The serial clock (SCLAn) is continuously output by the master device. However, in the slave device, the SCLAn pin low level period can be extended and a wait can be inserted.

19.5.1 Start conditions

A start condition is met when the SCLAn pin is at high level and the SDAAn pin changes from high level to low level. The start conditions for the SCLAn pin and SDAAn pin are signals that the master device generates to the slave device when starting a serial transfer. When the device is used as a slave, start conditions can be detected.

Figure 19-16. Start Conditions



A start condition is output when bit 1 (STTn) of IICA control register n0 (IICCTLn0) is set (1) after a stop condition has been detected (SPDn: Bit 0 of the IICA status register n (IICSn) = 1). When a start condition is detected, bit 1 (STDn) of the IICSn register is set (1).

Remark n = 0

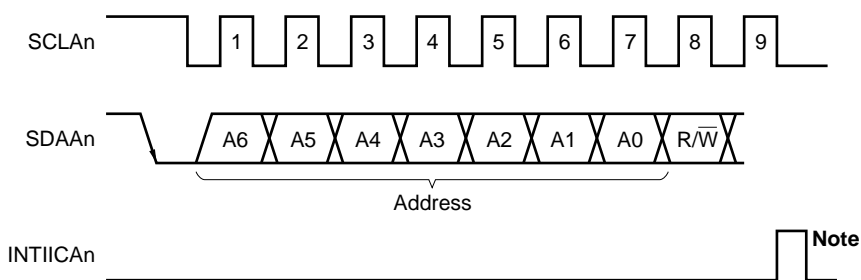
19.5.2 Addresses

The address is defined by the 7 bits of data that follow the start condition.

An address is a 7-bit data segment that is output in order to select one of the slave devices that are connected to the master device via the bus lines. Therefore, each slave device connected via the bus lines must have a unique address.

The slave devices include hardware that detects the start condition and checks whether or not the 7-bit address data matches the data values stored in the slave address register n (SVAn). If the address data matches the SVAn register values, the slave device is selected and communicates with the master device until the master device generates a start condition or stop condition.

Figure 19-17. Address



Note INTIICAn is not issued if data other than a local address or extension code is received during slave device operation.

Addresses are output when a total of 8 bits consisting of the slave address and the transfer direction described in **19.5.3 Transfer direction specification** are written to the I1CA shift register n (I1CAn). The received addresses are written to the I1CAn register.

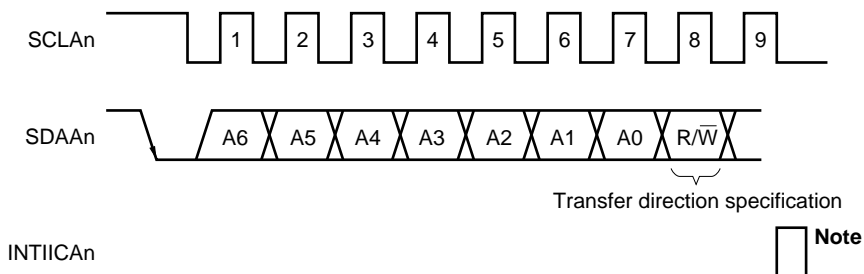
The slave address is assigned to the higher 7 bits of the I1CAn register.

19.5.3 Transfer direction specification

In addition to the 7-bit address data, the master device sends 1 bit that specifies the transfer direction.

When this transfer direction specification bit has a value of “0”, it indicates that the master device is transmitting data to a slave device. When the transfer direction specification bit has a value of “1”, it indicates that the master device is receiving data from a slave device.

Figure 19-18. Transfer Direction Specification



Note INTIICAn is not issued if data other than a local address or extension code is received during slave device operation.

Remark n = 0

19.5.4 Acknowledge (ACK)

ACK is used to check the status of serial data at the transmission and reception sides.

The reception side returns ACK each time it has received 8-bit data.

The transmission side usually receives ACK after transmitting 8-bit data. When ACK is returned from the reception side, it is assumed that reception has been correctly performed and processing is continued. Whether ACK has been detected can be checked by using bit 2 (ACKDn) of the IICA status register n (IICSn).

When the master receives the last data item, it does not return ACK and instead generates a stop condition. If a slave does not return ACK after receiving data, the master outputs a stop condition or restart condition and stops transmission. If ACK is not returned, the possible causes are as follows.

- <1> Reception was not performed normally.
- <2> The final data item was received.
- <3> The reception side specified by the address does not exist.

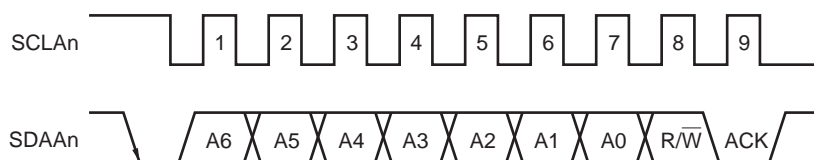
To generate ACK, the reception side makes the SDAAn line low at the ninth clock (indicating normal reception).

Automatic generation of ACK is enabled by setting bit 2 (ACKEn) of IICA control register n0 (IICCTLn0) to 1. Bit 3 (TRCn) of the IICSn register is set by the data of the eighth bit that follows 7-bit address information. Usually, set the ACKEn bit to 1 for reception (TRCn = 0).

If a slave can receive no more data during reception (TRCn = 0) or does not require the next data item, then the slave must inform the master, by clearing the ACKEn bit to 0, that it will not receive any more data.

When the master does not require the next data item during reception (TRCn = 0), it must clear the ACKEn bit to 0 so that ACK is not generated. In this way, the master informs a slave at the transmission side that it does not require any more data (transmission will be stopped).

Figure 19-19. ACK



When the local address is received, ACK is automatically generated, regardless of the value of the ACKEn bit. When an address other than that of the local address is received, ACK is not generated (NACK).

When an extension code is received, ACK is generated if the ACKEn bit is set to 1 in advance.

How ACK is generated when data is received differs as follows depending on the setting of the wait timing.

- When 8-clock wait state is selected (bit 3 (WTIMn) of IICCTLn0 register = 0):
By setting the ACKEn bit to 1 before releasing the wait state, ACK is generated at the falling edge of the eighth clock of the SCLAn pin.
- When 9-clock wait state is selected (bit 3 (WTIMn) of IICCTLn0 register = 1):
ACK is generated by setting the ACKEn bit to 1 in advance.

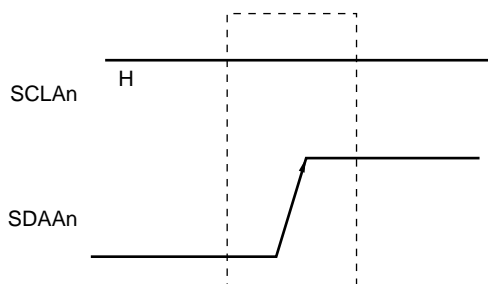
Remark n = 0

19.5.5 Stop condition

When the SCLAn pin is at high level, changing the SDAAn pin from low level to high level generates a stop condition.

A stop condition is a signal that the master device generates to the slave device when serial transfer has been completed. When the device is used as a slave, stop conditions can be detected.

Figure 19-20. Stop Condition



A stop condition is generated when bit 0 (SPTn) of IICA control register n0 (IICCTLn0) is set to 1. When the stop condition is detected, bit 0 (SPDn) of the IICA status register n (IICSn) is set to 1 and INTIICAn is generated when bit 4 (SPIEn) of the IICCTLn0 register is set to 1.

Remark n = 0

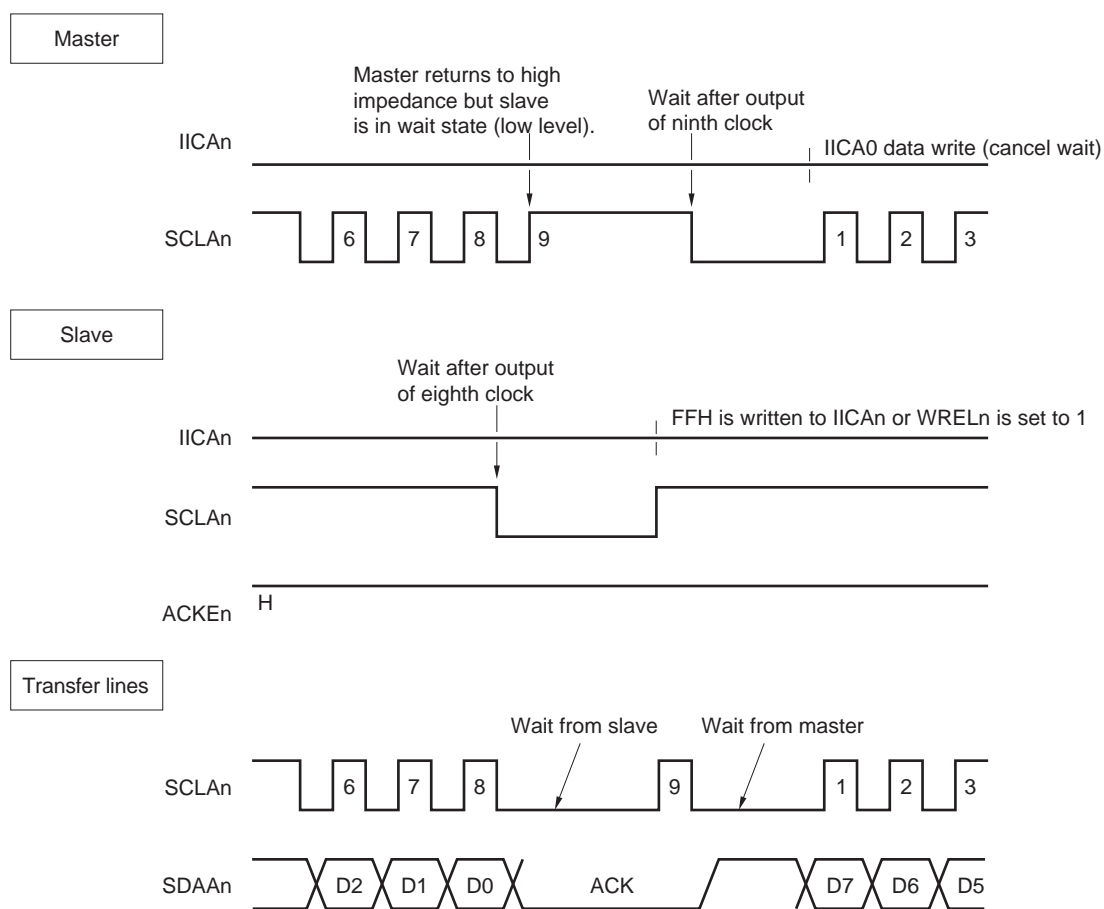
19.5.6 Wait

The wait is used to notify the communication partner that a device (master or slave) is preparing to transmit or receive data (i.e., is in a wait state).

Setting the SCLAn pin to low level notifies the communication partner of the wait state. When wait state has been canceled for both the master and slave devices, the next data transfer can begin.

Figure 19-21. Wait (1/2)

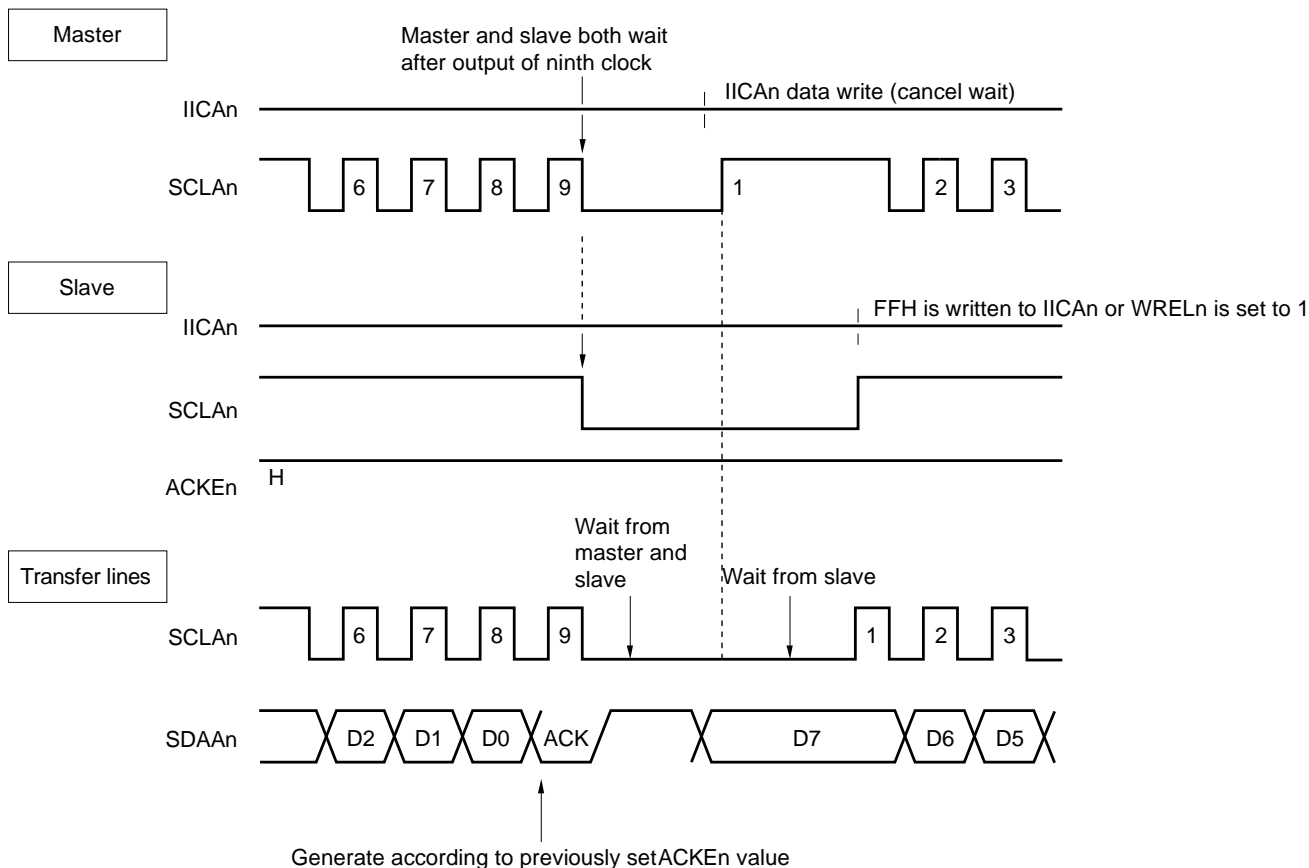
(1) When master device has a nine-clock wait and slave device has an eight-clock wait (master transmits, slave receives, and ACKEn = 1)



Remark n = 0

Figure 19-21. Wait (2/2)

(2) When master and slave devices both have a nine-clock wait (master transmits, slave receives, and ACKEn = 1)



Remark ACKEn: Bit 2 of IICA control register n0 (IICCTLn0)
 WRELn: Bit 5 of IICA control register n0 (IICCTLn0)

A wait may be automatically generated depending on the setting of bit 3 (WTIMn) of IICA control register n0 (IICCTLn0). Normally, the receiving side cancels the wait state when bit 5 (WRELn) of the IICCTLn0 register is set to 1 or when FFH is written to the IICA shift register n (IICAn), and the transmitting side cancels the wait state when the IICAn register.

The master device can also cancel the wait state via either of the following methods.

- By setting bit 1 (STTn) of the IICCTLn0 register to 1
- By setting bit 0 (SPTn) of the IICCTLn0 register to 1

Remark n = 0

19.5.7 Canceling wait

The I²C usually cancels a wait state by the following processing.

- Writing data to the IICA shift register n (IICAn)
- Setting bit 5 (WRELn) of IICA control register n0 (IICCTLn0) (canceling wait)
- Setting bit 1 (STTn) of the IICCTLn0 register (generating start condition)^{Note}
- Setting bit 0 (SPTn) of the IICCTLn0 register (generating stop condition)^{Note}

Note Master only

When the above wait canceling processing is executed, the I²C cancels the wait state and communication is resumed.

To cancel a wait state and transmit data (including addresses), write the data to the IICAn register.

To receive data after canceling a wait state, or to complete data transmission, set bit 5 (WRELn) of the IICCTLn0 register to 1.

To generate a restart condition after canceling a wait state, set bit 1 (STTn) of the IICCTLn0 register to 1.

To generate a stop condition after canceling a wait state, set bit n (SPTn) of the IICCTLn0 register to 1.

Execute the canceling processing only once for one wait state.

If, for example, data is written to the IICAn register after canceling a wait state by setting the WRELn bit to 1, an incorrect value may be output to SDAAn line because the timing for changing the SDAAn line conflicts with the timing for writing the IICAn register.

In addition to the above, communication is stopped if the IICEn bit is cleared to 0 when communication has been aborted, so that the wait state can be canceled.

If the I²C bus has deadlocked due to noise, processing is saved from communication by setting bit 6 (LRELn) of the IICCTLn0 register, so that the wait state can be canceled.

Caution If a processing to cancel a wait state is executed when WUPn = 1, the wait state will not be canceled.

Remark n = 0

19.5.8 Interrupt request (INTIICAn) generation timing and wait control

The setting of bit 3 (WTIMn) of IICA control register n0 (IICCTLn0) determines the timing by which INTIICAn is generated and the corresponding wait control, as shown in Table 19-2.

Table 19-2. INTIICAn Generation Timing and Wait Control

WTIMn	During Slave Device Operation			During Master Device Operation		
	Address	Data Reception	Data Transmission	Address	Data Reception	Data Transmission
0	g ^{Notes 1, 2}	g ^{Note 2}	g ^{Note 2}	9	8	8
1	g ^{Notes 1, 2}	g ^{Note 2}	g ^{Note 2}	9	9	9

Notes 1. The slave device's INTIICAn signal and wait period occurs at the falling edge of the ninth clock only when there is a match with the address set to the slave address register n (SVAn).

At this point, ACK is generated regardless of the value set to the IICCTLn0 register's bit 2 (ACKEn). For a slave device that has received an extension code, INTIICAn occurs at the falling edge of the eighth clock.

However, if the address does not match after restart, INTIICAn is generated at the falling edge of the 9th clock, but wait does not occur.

- 2.** If the received address does not match the contents of the slave address register n (SVAn) and extension code is not received, neither INTIICAn nor a wait occurs.

Remark The numbers in the table indicate the number of the serial clock's clock signals. Interrupt requests and wait control are both synchronized with the falling edge of these clock signals.

(1) During address transmission/reception

- Slave device operation: Interrupt and wait timing are determined depending on the conditions described in Notes 1 and 2 above, regardless of the WTIMn bit.
- Master device operation: Interrupt and wait timing occur at the falling edge of the ninth clock regardless of the WTIMn bit.

(2) During data reception

- Master/slave device operation: Interrupt and wait timing are determined according to the WTIMn bit.

(3) During data transmission

- Master/slave device operation: Interrupt and wait timing are determined according to the WTIMn bit.

(4) Wait cancellation method

The four wait cancellation methods are as follows.

- Writing data to the IICA shift register n (IICAn)
- Setting bit 5 (WRELn) of IICA control register n0 (IICCTLn0) (canceling wait)
- Setting bit 1 (STTn) of IICCTLn0 register (generating start condition)^{Note}
- Setting bit 0 (SPTn) of IICCTLn0 register (generating stop condition)^{Note}

Note Master only.

When an 8-clock wait has been selected (WTIMn = 0), the presence/absence of ACK generation must be determined prior to wait cancellation.

(5) Stop condition detection

INTIICAn is generated when a stop condition is detected (only when SPIEn = 1).

Remark n = 0

19.5.9 Address match detection method

In I²C bus mode, the master device can select a particular slave device by transmitting the corresponding slave address.

Address match can be detected automatically by hardware. An interrupt request (INTIICAn) occurs when the address set to the slave address register n (SVAn) matches the slave address sent by the master device, or when an extension code has been received.

19.5.10 Error detection

In I²C bus mode, the status of the serial data bus (SDAAn) during data transmission is captured by the IICA shift register n (IICAn) of the transmitting device, so the IICA data prior to transmission can be compared with the transmitted IICA data to enable detection of transmission errors. A transmission error is judged as having occurred when the compared data values do not match.

Remark n = 0

19.5.11 Extension code

(1) When the higher 4 bits of the receive address are either “0000” or “1111”, the extension code reception flag (EXCn) is set to 1 for extension code reception and an interrupt request (INTIICAn) is issued at the falling edge of the eighth clock. The local address stored in the slave address register n (SVAn) is not affected.

(2) The settings below are specified if 11110xx0 is transferred from the master by using a 10-bit address transfer when the SVAn register is set to 11110xx0. Note that INTIICAn occurs at the falling edge of the eighth clock.

- Higher four bits of data match: EXCn = 1
- Seven bits of data match: COIn = 1

Remark EXCn: Bit 5 of IICA status register n (IICSn)
COIn: Bit 4 of IICA status register n (IICSn)

(3) Since the processing after the interrupt request occurs differs according to the data that follows the extension code, such processing is performed by software.

If the extension code is received while a slave device is operating, then the slave device is participating in communication even if its address does not match.

For example, after the extension code is received, if you do not wish to operate the target device as a slave device, set bit 6 (LRELn) of IICA control register n0 (IICCTLn0) to 1 to set the standby mode for the next communication operation.

Table 19-3. Bit Definitions of Major Extension Codes

Slave Address	R/W Bit	Description
0 0 0 0 0 0 0	0	General call address
1 1 1 1 0 x x	0	10-bit slave address specification (during address authentication)
1 1 1 1 0 x x	1	10-bit slave address specification (after address match, when read command is issued)

Remarks 1. See the I²C bus specifications issued by NXP Semiconductors for details of extension codes other than those described above.

2. n = 0

19.5.12 Arbitration

When several master devices simultaneously generate a start condition (when the STTn bit is set to 1 before the STDn bit is set to 1), communication among the master devices is performed as the number of clocks are adjusted until the data differs. This kind of operation is called arbitration.

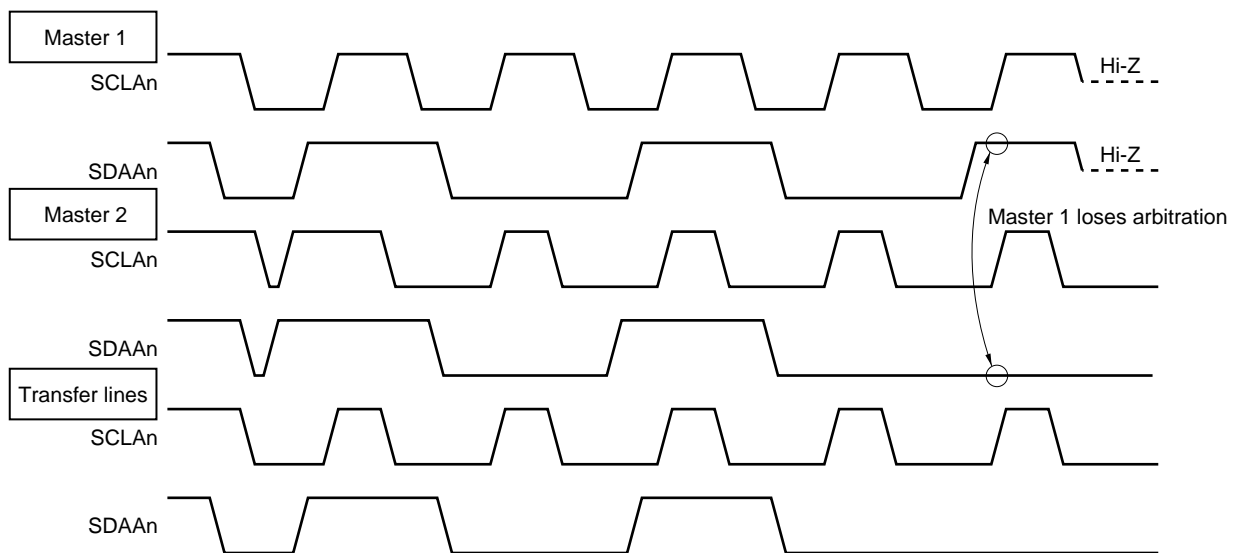
When one of the master devices loses in arbitration, an arbitration loss flag (ALDn) in the IICA status register n (IICSn) is set (1) via the timing by which the arbitration loss occurred, and the SCLAn and SDAAn lines are both set to high impedance, which releases the bus.

The arbitration loss is detected based on the timing of the next interrupt request (the eighth or ninth clock, when a stop condition is detected, etc.) and the ALDn = 1 setting that has been made by software.

For details of interrupt request timing, see **19.5.8 Interrupt request (INTIICAn) generation timing and wait control.**

Remark STDn: Bit 1 of IICA status register n (IICSn)
 STTn: Bit 1 of IICA control register n0 (IICCTLn0)

Figure 19-22. Arbitration Timing Example



Remark n = 0

Table 19-4. Status During Arbitration and Interrupt Request Generation Timing

Status During Arbitration	Interrupt Request Generation Timing
During address transmission	At falling edge of eighth or ninth clock following byte transfer ^{Note 1}
Read/write data after address transmission	
During extension code transmission	
Read/write data after extension code transmission	
During data transmission	
During ACK transfer period after data transmission	
When restart condition is detected during data transfer	
When stop condition is detected during data transfer	When stop condition is generated (when SPIEn = 1) ^{Note 2}
When data is at low level while attempting to generate a restart condition	At falling edge of eighth or ninth clock following byte transfer ^{Note 1}
When stop condition is detected while attempting to generate a restart condition	When stop condition is generated (when SPIEn = 1) ^{Note 2}
When data is at low level while attempting to generate a stop condition	At falling edge of eighth or ninth clock following byte transfer ^{Note 1}
When SCLAn is at low level while attempting to generate a restart condition	

Notes 1. When the WTIMn bit (bit 3 of IICA control register n0 (IICCTLn0)) = 1, an interrupt request occurs at the falling edge of the ninth clock. When WTIMn = 0 and the extension code’s slave address is received, an interrupt request occurs at the falling edge of the eighth clock.

2. When there is a chance that arbitration will occur, set SPIEn = 1 for master device operation.

Remarks 1. SPIEn: Bit 4 of IICA control register n0 (IICCTLn0)

2. n = 0

19.5.13 Wakeup function

The I²C bus slave function is a function that generates an interrupt request signal (INTIICAn) when a local address and extension code have been received.

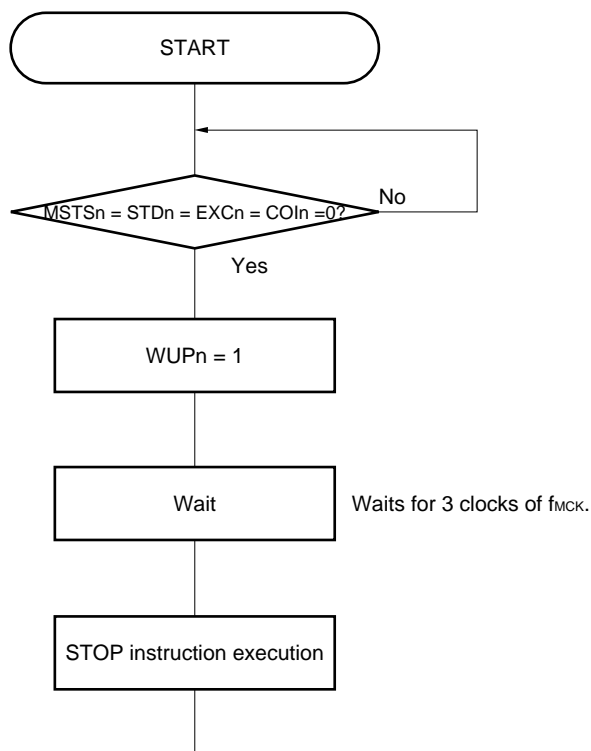
This function makes processing more efficient by preventing unnecessary INTIICAn signal from occurring when addresses do not match.

When a start condition is detected, wakeup standby mode is set. This wakeup standby mode is in effect while addresses are transmitted due to the possibility that an arbitration loss may change the master device (which has generated a start condition) to a slave device.

To use the wakeup function in the STOP mode, set the WUPn bit to 1. Addresses can be received regardless of the operation clock. An interrupt request signal (INTIICAn) is also generated when a local address and extension code have been received. Operation returns to normal operation by using an instruction to clear (0) the WUPn bit after this interrupt has been generated.

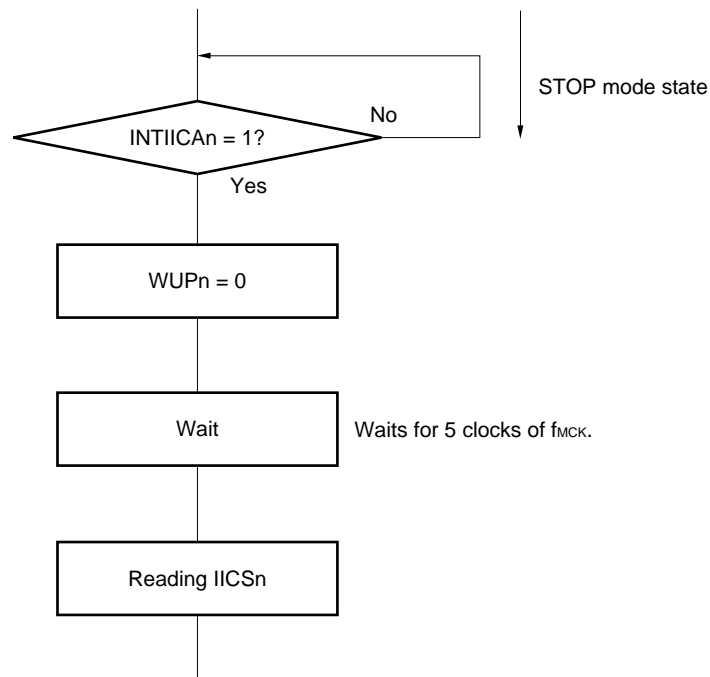
Figure 19-23 shows the flow for setting WUPn = 1 and Figure 19-24 shows the flow for setting WUPn = 0 upon an address match.

Figure 19-23. Flow When Setting WUPn = 1



Remark n = 0

Figure 19-24. Flow When Setting WUPn = 0 upon Address Match (Including Extension Code Reception)



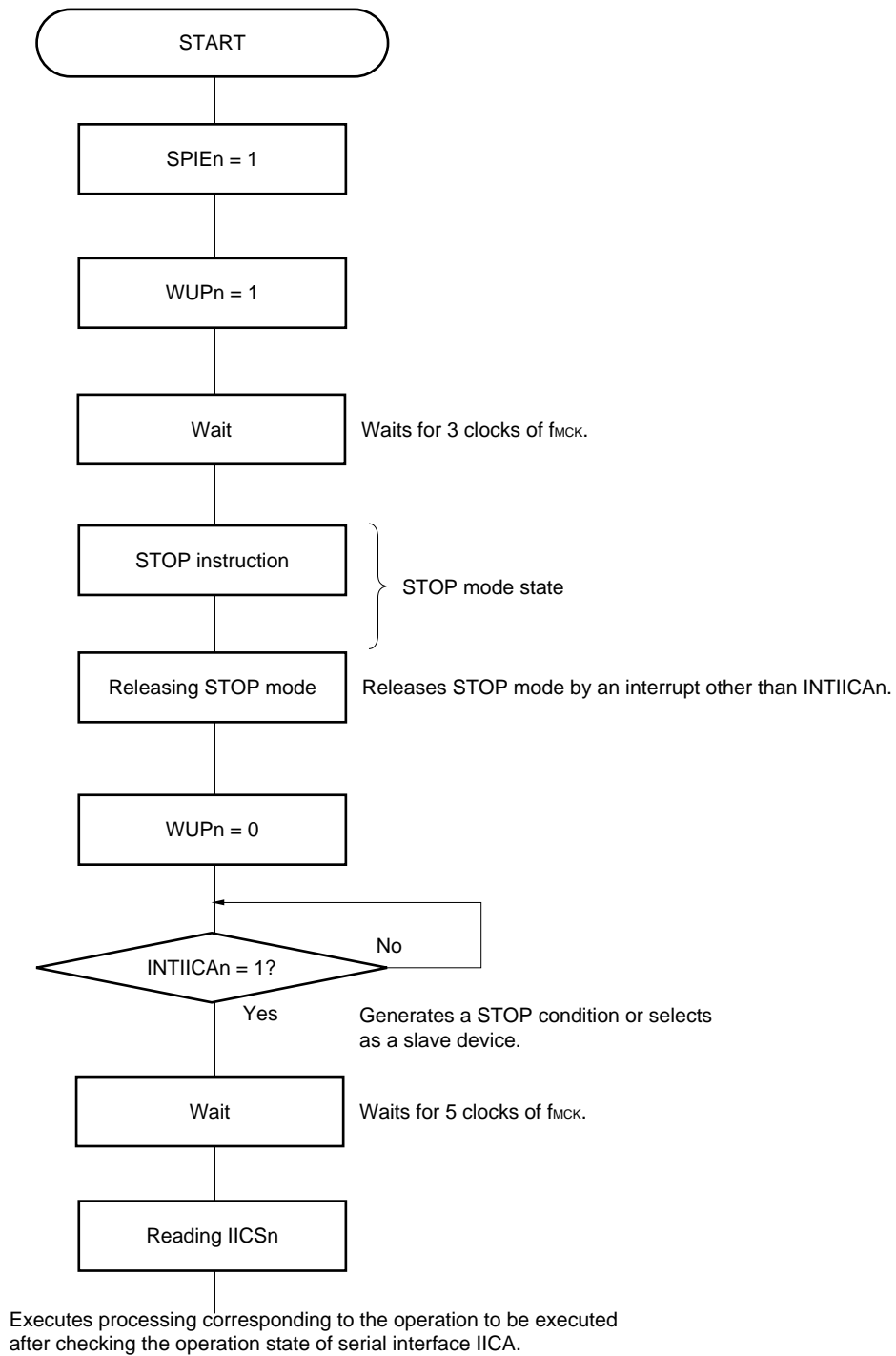
Executes processing corresponding to the operation to be executed after checking the operation state of serial interface IICA.

Use the following flows to perform the processing to release the STOP mode other than by an interrupt request (INTIICAn) generated from serial interface IICA.

- When operating next IIC communication as master: Flow shown in Figure 19-25
- When operating next IIC communication as slave:
 - When restored by INTIICAn interrupt: Same as the flow in Figure 19-23
 - When restored by other than INTIICAn interrupt: Until the INTIICAn interrupt occurs, continue operating with WUPn left set to 1

Remark n = 0

Figure 19-25. When Operating as Master Device After Releasing STOP Mode Other than by INTIICAn



Remark n = 0

19.5.14 Communication reservation

(1) When communication reservation function is enabled (bit n (IICRSVn) of IICA flag register n (IICFn) = 0)

To start master device communications when not currently using a bus, a communication reservation can be made to enable transmission of a start condition when the bus is released. There are two modes under which the bus is not used.

- When arbitration results in neither master nor slave operation
- When an extension code is received and slave operation is disabled (ACK is not returned and the bus was released by setting bit 6 (LRELn) of IICA control register n0 (IICCTLn0) to 1 and saving communication).

If bit 1 (STTn) of the IICCTLn0 register is set to 1 while the bus is not used (after a stop condition is detected), a start condition is automatically generated and wait state is set.

If an address is written to the IICA shift register n (IICAn) after bit 4 (SPIEn) of the IICCTLn0 register was set to 1, and it was detected by generation of an interrupt request signal (INTIICAn) that the bus was released (detection of the stop condition), then the device automatically starts communication as the master. Data written to the IICAn register before the stop condition is detected is invalid.

When the STTn bit has been set to 1, the operation mode (as start condition or as communication reservation) is determined according to the bus status.

- If the bus has been released a start condition is generated
- If the bus has not been released (standby mode)..... communication reservation

Check whether the communication reservation operates or not by using the MSTSn bit (bit 7 of the IICA status register n (IICSn)) after the STTn bit is set to 1 and the wait time elapses.

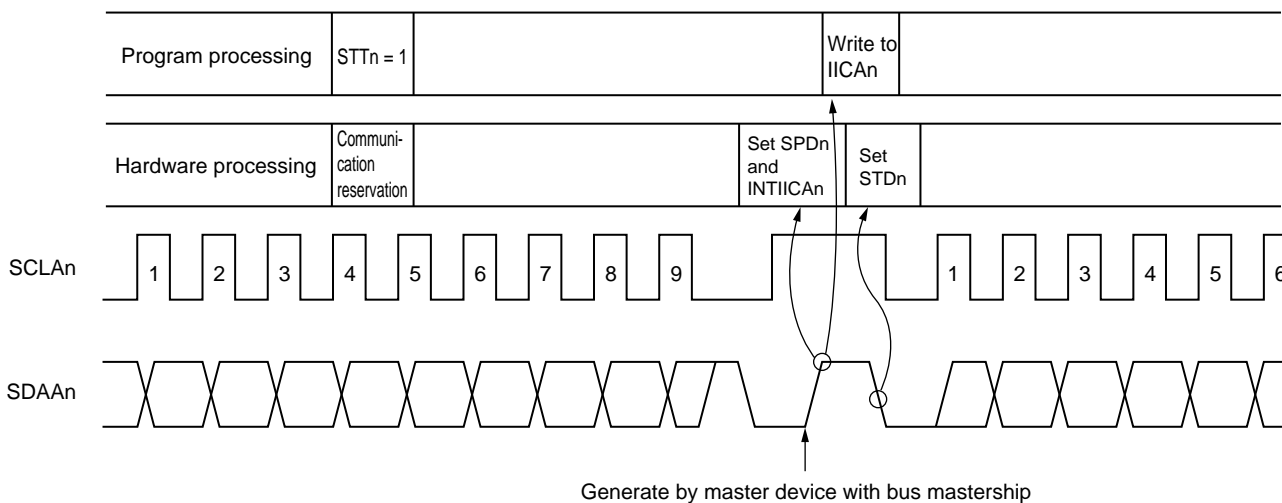
Use software to secure the wait time calculated by the following expression.

Wait time from setting STTn = 1 to checking the MSTSn flag:
 $(IICWLn \text{ setting value} + IICWHn \text{ setting value} + 4) / f_{MCK} + t_F \times 2$

- Remarks**
1. IICWLn: IICA low-level width setting register n
 IICWHn: IICA high-level width setting register n
 tF: SDAAn and SCLAn signal falling times
 fMCK: IICA operation clock frequency
 2. n = 0

Figure 19-26 shows the communication reservation timing.

Figure 19-26. Communication Reservation Timing



- Remark** IICAn: IICA shift register n
- STTn: Bit 1 of IICA control register n0 (IICCTLn0)
- STDn: Bit 1 of IICA status register n (IICSn)
- SPDn: Bit 0 of IICA status register n (IICSn)

Communication reservations are accepted via the timing shown in Figure 19-27. After bit 1 (STDn) of the IICA status register n (IICSn) is set to 1, a communication reservation can be made by setting bit 1 (STTn) of IICA control register n0 (IICCTLn0) to 1 before a stop condition is detected.

Figure 19-27. Timing for Accepting Communication Reservations

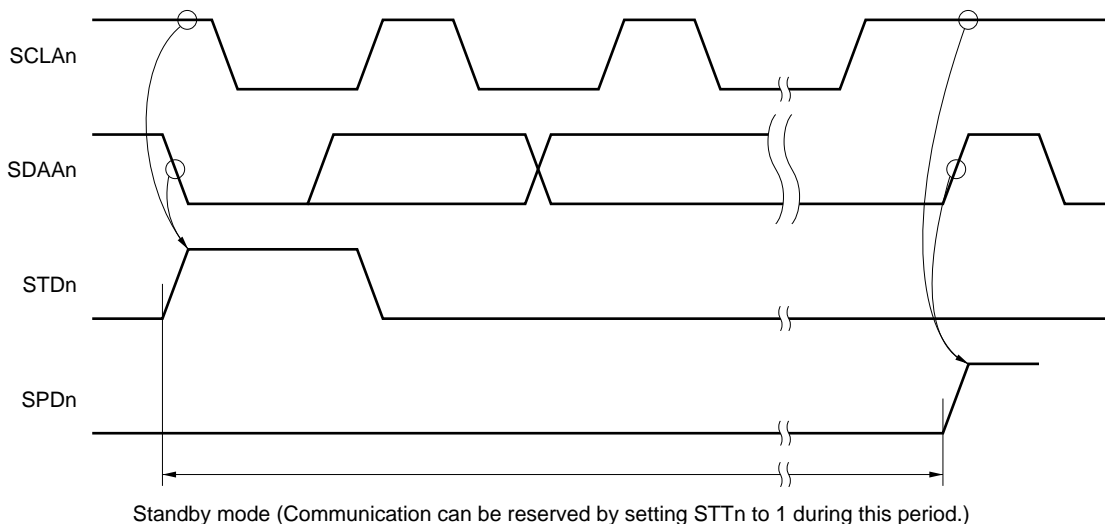
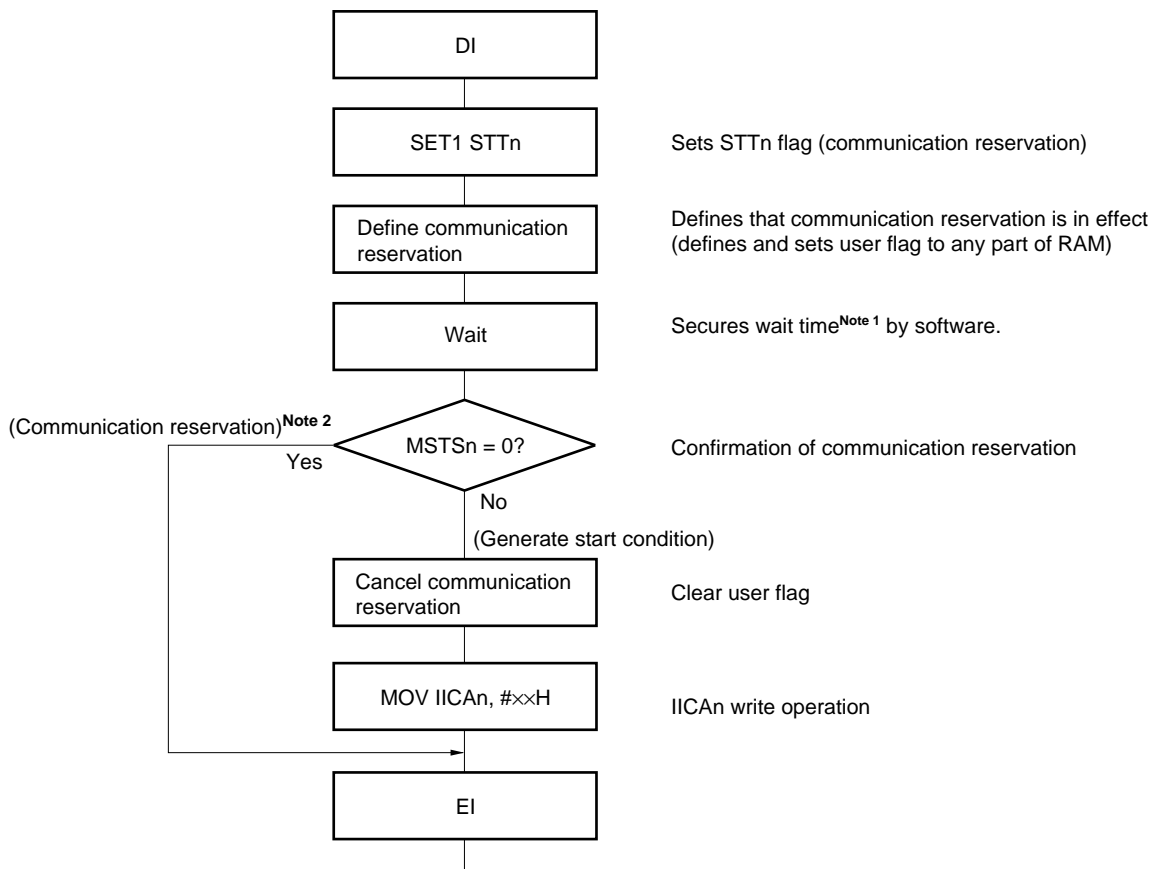


Figure 19-28 shows the communication reservation protocol.

- Remark** n = 0

Figure 19-28. Communication Reservation Protocol



- Notes**
- The wait time is calculated as follows.

$$(IICWLn \text{ setting value} + IICWHn \text{ setting value} + 4) / f_{MCK} + t_F \times 2$$
 - The communication reservation operation executes a write to the IICA shift register n (IICAn) when a stop condition interrupt request occurs.

- Remarks**
- STTn: Bit 1 of IICA control register n0 (IICCTLn0)
 - MSTSn: Bit 7 of IICA status register n (IICSn)
 - IICAn: IICA shift register n
 - IICWLn: IICA low-level width setting register n
 - IICWHn: IICA high-level width setting register n
 - t_F: SDAAn and SCLAn signal falling times
 - f_{MCK}: IICA operation clock frequency
 - n = 0

(2) When communication reservation function is disabled (bit 0 (IICRSVn) of IICA flag register n (IICFn) = 1)

When bit 1 (STTn) of IICA control register n0 (IICCTLn0) is set to 1 when the bus is not used in a communication during bus communication, this request is rejected and a start condition is not generated. The following two statuses are included in the status where bus is not used.

- When arbitration results in neither master nor slave operation
- When an extension code is received and slave operation is disabled (ACK is not returned and the bus was released by setting bit 6 (LRELn) of the IICCTLn0 register to 1 and saving communication)

To confirm whether the start condition was generated or request was rejected, check STCFn (bit 7 of the IICFn register). It takes up to 5 clocks of f_{MCK} until the STCFn bit is set to 1 after setting STTn = 1. Therefore, secure the time by software.

Remark n = 0

19.5.15 Cautions

(1) When STCENn = 0

Immediately after I²C operation is enabled (IICEn = 1), the bus communication status (IICBSYn = 1) is recognized regardless of the actual bus status. When changing from a mode in which no stop condition has been detected to a master device communication mode, first generate a stop condition to release the bus, then perform master device communication.

When using multiple masters, it is not possible to perform master device communication when the bus has not been released (when a stop condition has not been detected).

Use the following sequence for generating a stop condition.

<1> Set IICA control register n1 (IICCTLn1).

<2> Set bit 7 (IICEn) of IICA control register n0 (IICCTLn0) to 1.

<3> Set bit 0 (SPTn) of the IICCTLn0 register to 1.

(2) When STCENn = 1

Immediately after I²C operation is enabled (IICEn = 1), the bus released status (IICBSYn = 0) is recognized regardless of the actual bus status. To generate the first start condition (STTn = 1), it is necessary to confirm that the bus has been released, so as to not disturb other communications.

(3) If other I²C communications are already in progress

If I²C operation is enabled and the device participates in communication already in progress when the SDAAn pin is low and the SCLAn pin is high, the macro of I²C recognizes that the SDAAn pin has gone low (detects a start condition). If the value on the bus at this time can be recognized as an extension code, ACK is returned, but this interferes with other I²C communications. To avoid this, start I²C in the following sequence.

<1> Clear bit 4 (SPIEn) of the IICCTLn0 register to 0 to disable generation of an interrupt request signal (INTIICAn) when the stop condition is detected.

<2> Set bit 7 (IICEn) of the IICCTLn0 register to 1 to enable the operation of I²C.

<3> Wait for detection of the start condition.

<4> Set bit 6 (LRELn) of the IICCTLn0 register to 1 before ACK is returned (4 to 72 clocks of f_{MCK} after setting the IICEn bit to 1), to forcibly disable detection.

(4) Setting the STTn and SPTn bits (bits 1 and 0 of the IICCTLn0 register) again after they are set and before they are cleared to 0 is prohibited.

(5) When transmission is reserved, set the SPIEn bit (bit 4 of the IICCTLn0 register) to 1 so that an interrupt request is generated when the stop condition is detected. Transfer is started when communication data is written to the IICA shift register n (IICAn) after the interrupt request is generated. Unless the interrupt is generated when the stop condition is detected, the device stops in the wait state because the interrupt request is not generated when communication is started. However, it is not necessary to set the SPIEn bit to 1 when the MSTSn bit (bit 7 of the IICA status register n (IICSn)) is detected by software.

Remark n = 0

19.5.16 Communication operations

The following shows three operation procedures with the flowchart.

(1) Master operation in single master system

The flowchart when using the RL78/I1C as the master in a single master system is shown below.

This flowchart is broadly divided into the initial settings and communication processing. Execute the initial settings at startup. If communication with the slave is required, prepare the communication and then execute communication processing.

(2) Master operation in multimaster system

In the I²C bus multimaster system, whether the bus is released or used cannot be judged by the I²C bus specifications when the bus takes part in a communication. Here, when data and clock are at a high level for a certain period (1 frame), the RL78/I1C takes part in a communication with bus released state.

This flowchart is broadly divided into the initial settings, communication waiting, and communication processing. The processing when the RL78/I1C loses in arbitration and is specified as the slave is omitted here, and only the processing as the master is shown. Execute the initial settings at startup to take part in a communication. Then, wait for the communication request as the master or wait for the specification as the slave. The actual communication is performed in the communication processing, and it supports the transmission/reception with the slave and the arbitration with other masters.

(3) Slave operation

An example of when the RL78/I1C is used as the I²C bus slave is shown below.

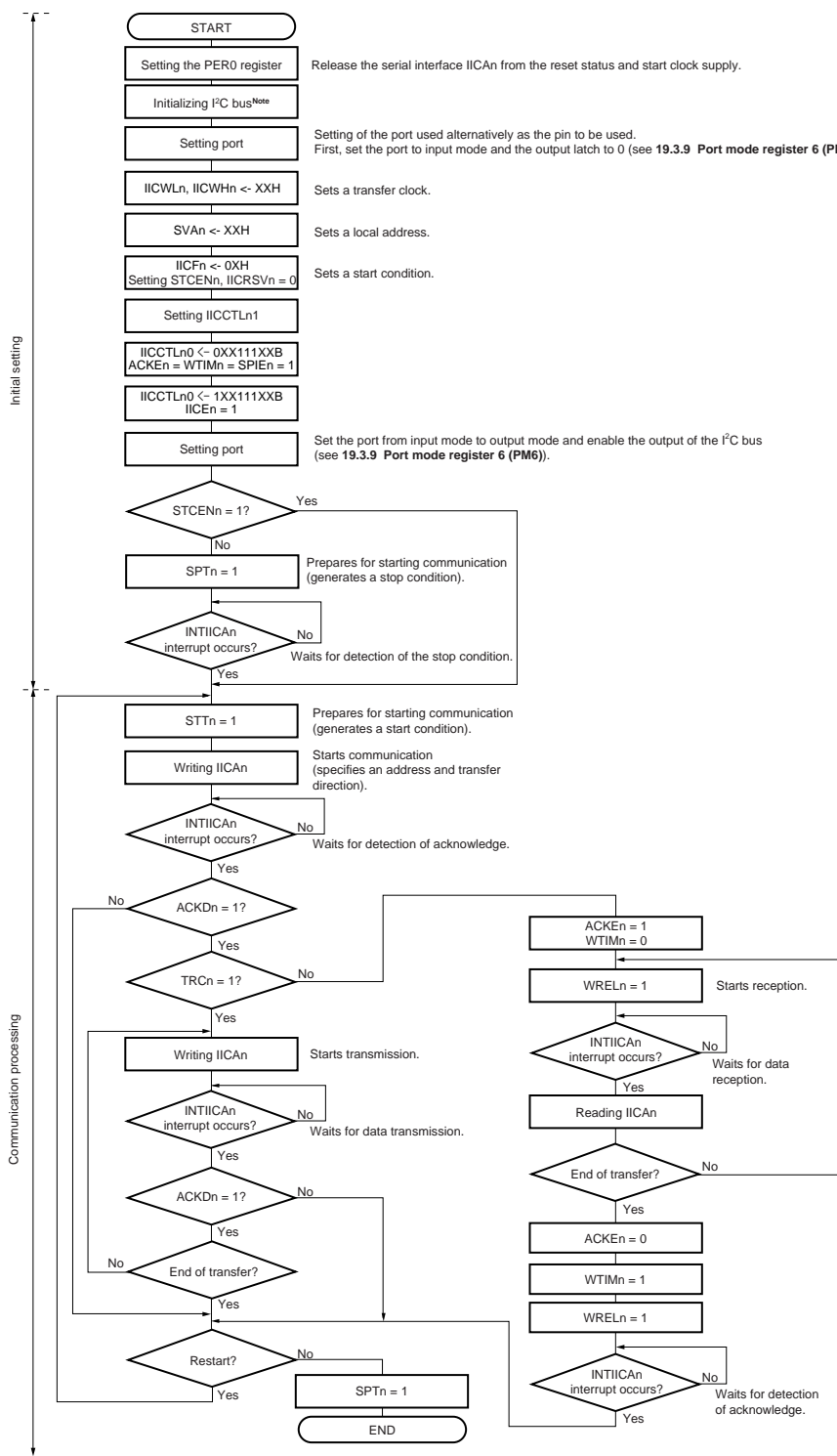
When used as the slave, operation is started by an interrupt. Execute the initial settings at startup, then wait for the INTIICAn interrupt occurrence (communication waiting). When an INTIICAn interrupt occurs, the communication status is judged and its result is passed as a flag over to the main processing.

By checking the flags, necessary communication processing is performed.

Remark n = 0

(1) Master operation in single-master system

Figure 19-29. Master Operation in Single-Master System



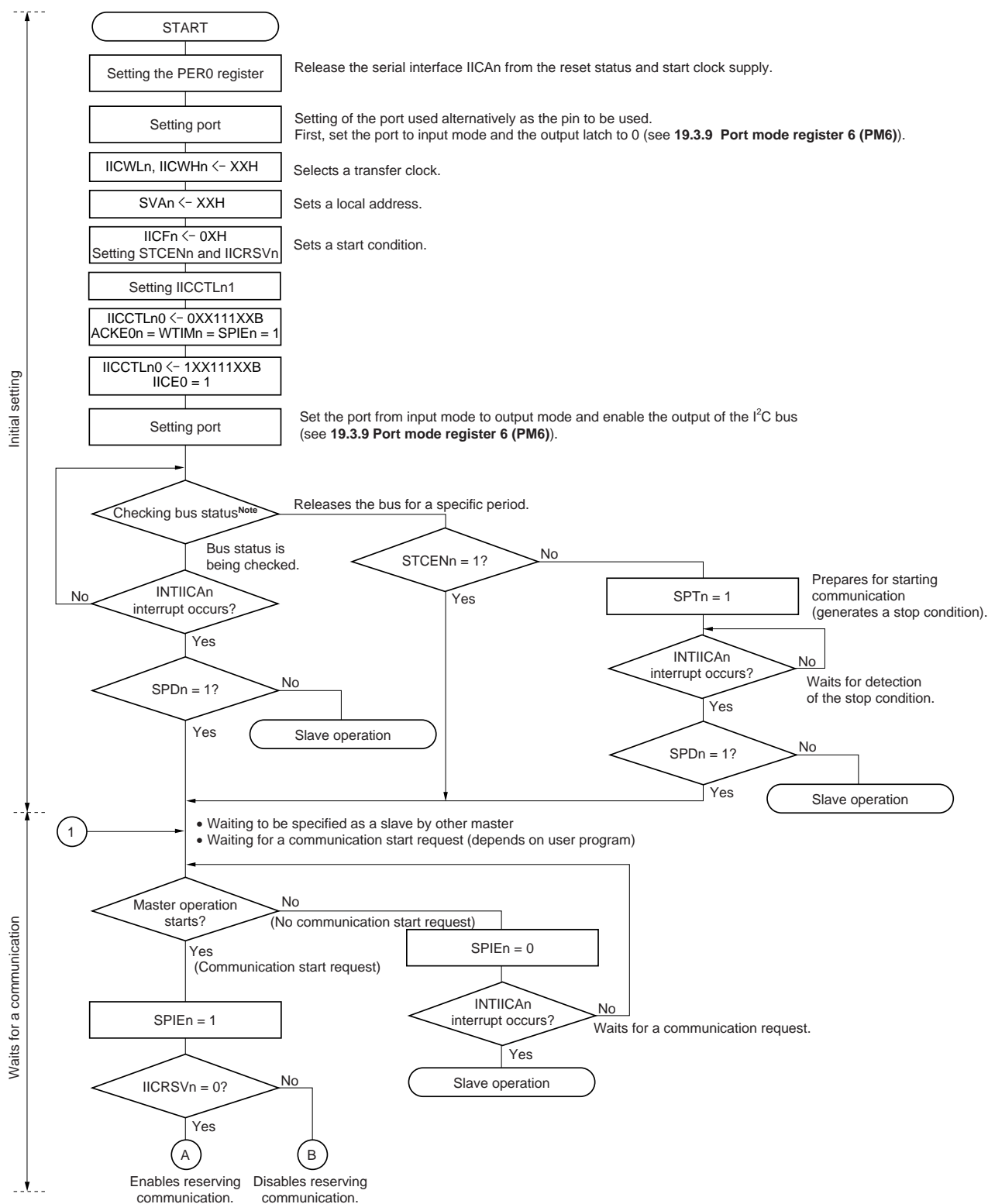
Note Release (SCLAn and SDAAn pins = high level) the I²C bus in conformance with the specifications of the product that is communicating. If EEPROM is outputting a low level to the SDAAn pin, for example, set the SCLAn pin in the output port mode, and output a clock pulse from the output port until the SDAAn pin is constantly at high level.

Remarks 1. Conform to the specifications of the product that is communicating, with respect to the transmission and reception formats.

2. n = 0

(2) Master operation in multi-master system

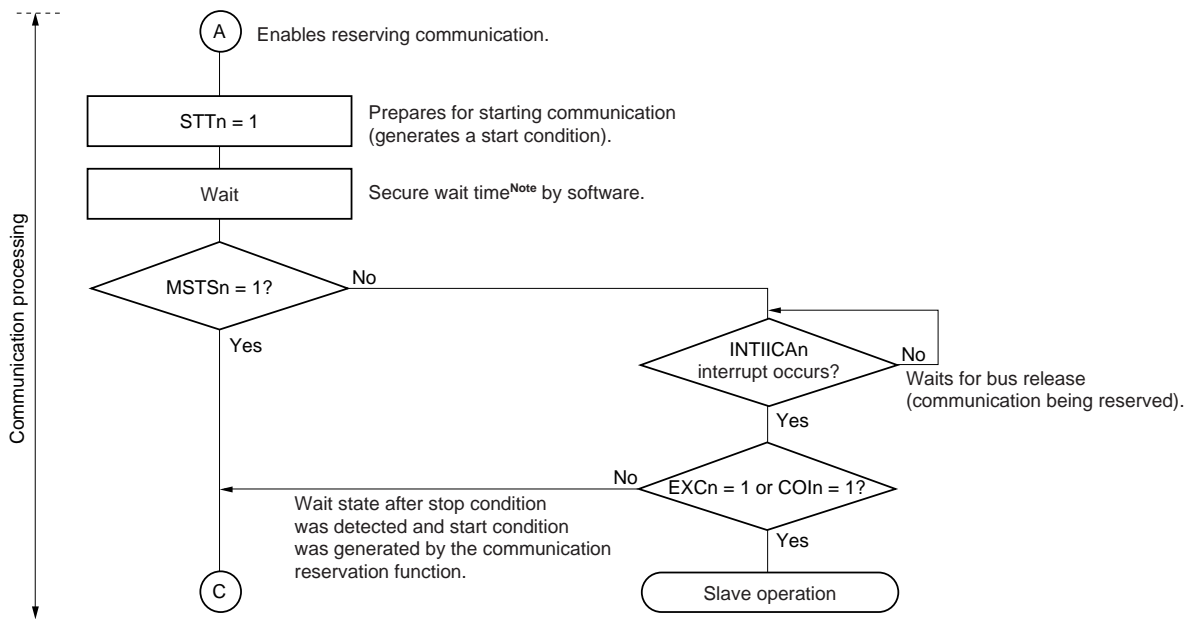
Figure 19-30. Master Operation in Multi-Master System (1/3)



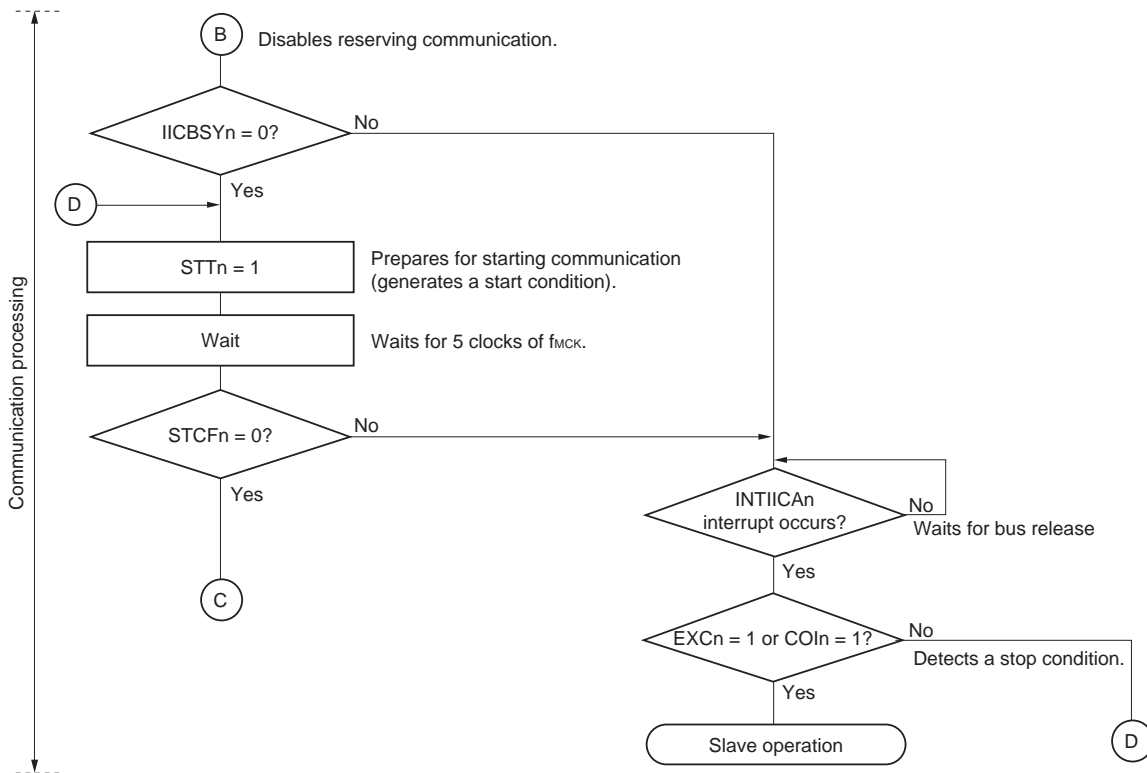
Note Confirm that the bus is released (CLDn bit = 1, DADn bit = 1) for a specific period (for example, for a period of one frame). If the SDAAn pin is constantly at low level, decide whether to release the I²C bus (SCLAn and SDAAn pins = high level) in conformance with the specifications of the product that is communicating.

Remark n = 0

Figure 19-30. Master Operation in Multi-Master System (2/3)

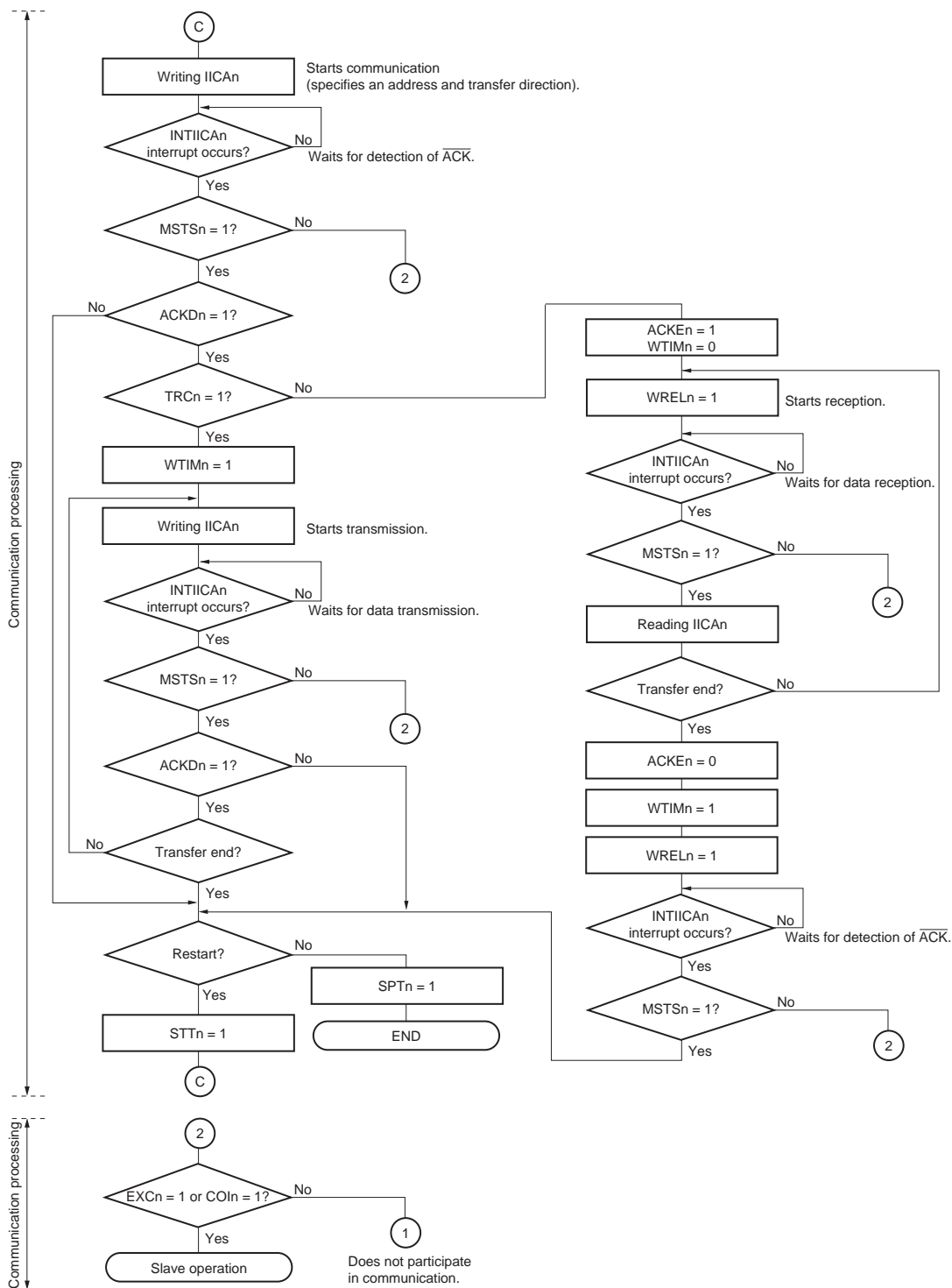


Note The wait time is calculated as follows.
 $(IICWL_n \text{ setting value} + IICWH_n \text{ setting value} + 4) / f_{MCK} + t_f \times 2$



- Remarks 1.** IICWL_n: IICA low-level width setting register n
 IICWH_n: IICA high-level width setting register n
 t_f: SDAAn and SCLAn signal falling times
 f_{MCK}: IICA operation clock frequency
- 2.** n = 0

Figure 19-30. Master Operation in Multi-Master System (3/3)



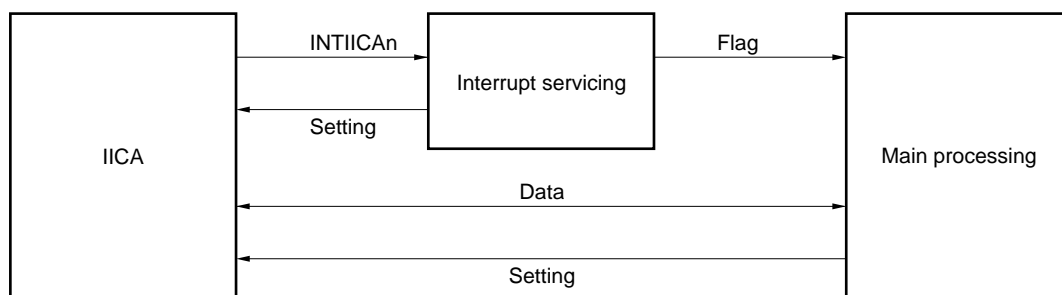
- Remarks**
1. Conform to the specifications of the product that is communicating, with respect to the transmission and reception formats.
 2. To use the device as a master in a multi-master system, read the MSTSn bit each time interrupt INTIICAn has occurred to check the arbitration result.
 3. To use the device as a slave in a multi-master system, check the status by using the IICA status register n (IICSn) and IICA flag register n (IICFn) each time interrupt INTIICAn has occurred, and determine the processing to be performed next.
 4. n = 0

(3) Slave operation

The processing procedure of the slave operation is as follows.

Basically, the slave operation is event-driven. Therefore, processing by the INTIICAn interrupt (processing that must substantially change the operation status such as detection of a stop condition during communication) is necessary.

In the following explanation, it is assumed that the extension code is not supported for data communication. It is also assumed that the INTIICAn interrupt servicing only performs status transition processing, and that actual data communication is performed by the main processing.



Therefore, data communication processing is performed by preparing the following three flags and passing them to the main processing instead of INTIICAn.

<1> Communication mode flag

This flag indicates the following two communication statuses.

- Clear mode: Status in which data communication is not performed
- Communication mode: Status in which data communication is performed (from valid address detection to stop condition detection, no detection of ACK from master, address mismatch)

<2> Ready flag

This flag indicates that data communication is enabled. Its function is the same as the INTIICAn interrupt for ordinary data communication. This flag is set by interrupt servicing and cleared by the main processing. Clear this flag by interrupt servicing when communication is started. However, the ready flag is not set by interrupt servicing when the first data is transmitted. Therefore, the first data is transmitted without the flag being cleared (an address match is interpreted as a request for the next data).

<3> Communication direction flag

This flag indicates the direction of communication. Its value is the same as the TRCn bit.

Remark n = 0

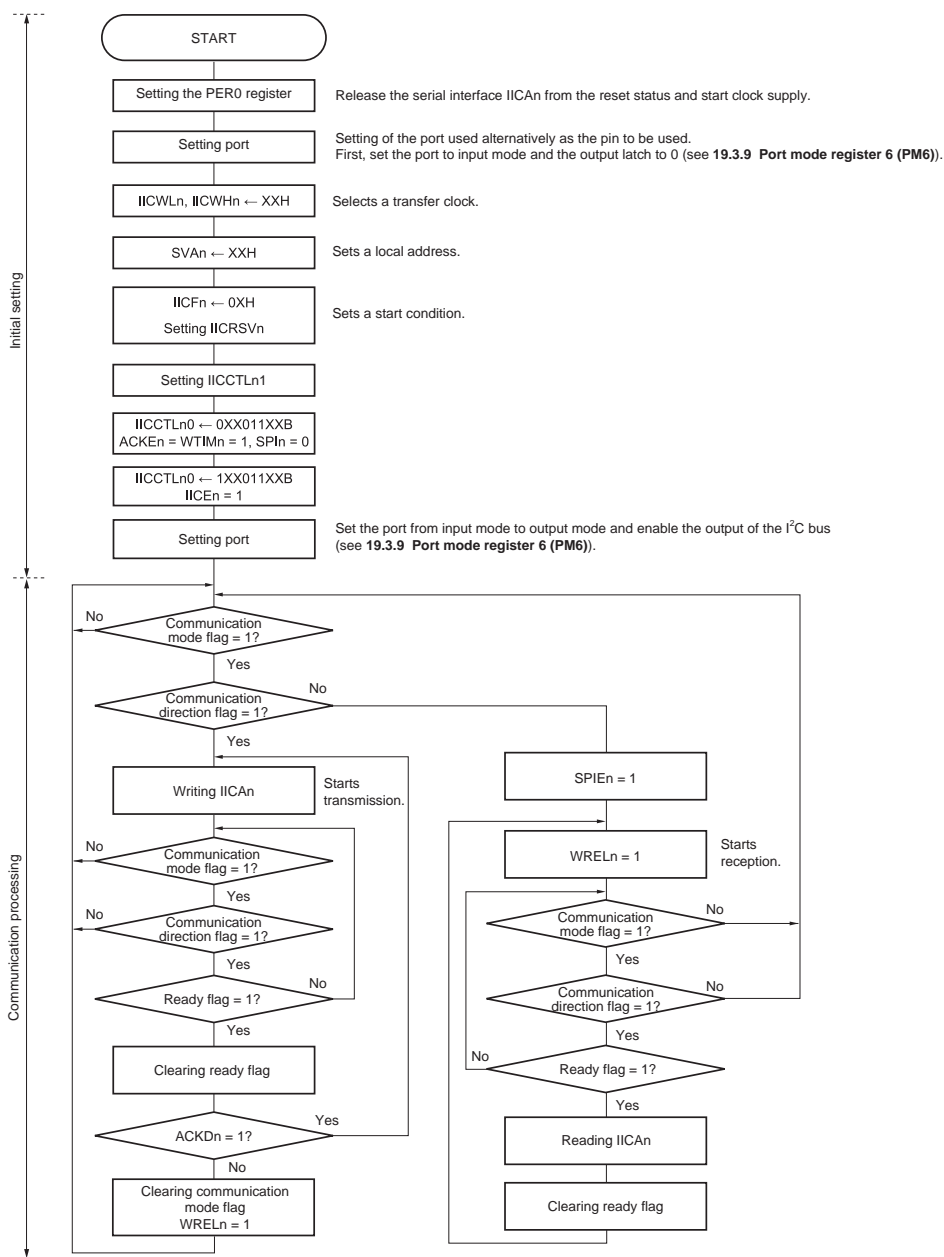
The main processing of the slave operation is explained next.

Start serial interface IICA and wait until communication is enabled. When communication is enabled, execute communication by using the communication mode flag and ready flag (processing of the stop condition and start condition is performed by an interrupt. Here, check the status by using the flags).

The transmission operation is repeated until the master no longer returns ACK. If ACK is not returned from the master, communication is completed.

For reception, the necessary amount of data is received. When communication is completed, ACK is not returned as the next data. After that, the master generates a stop condition or restart condition. Exit from the communication status occurs in this way.

Figure 19-31. Slave Operation Flowchart (1)



Remarks 1. Conform to the specifications of the product that is in communication, regarding the transmission and reception formats.

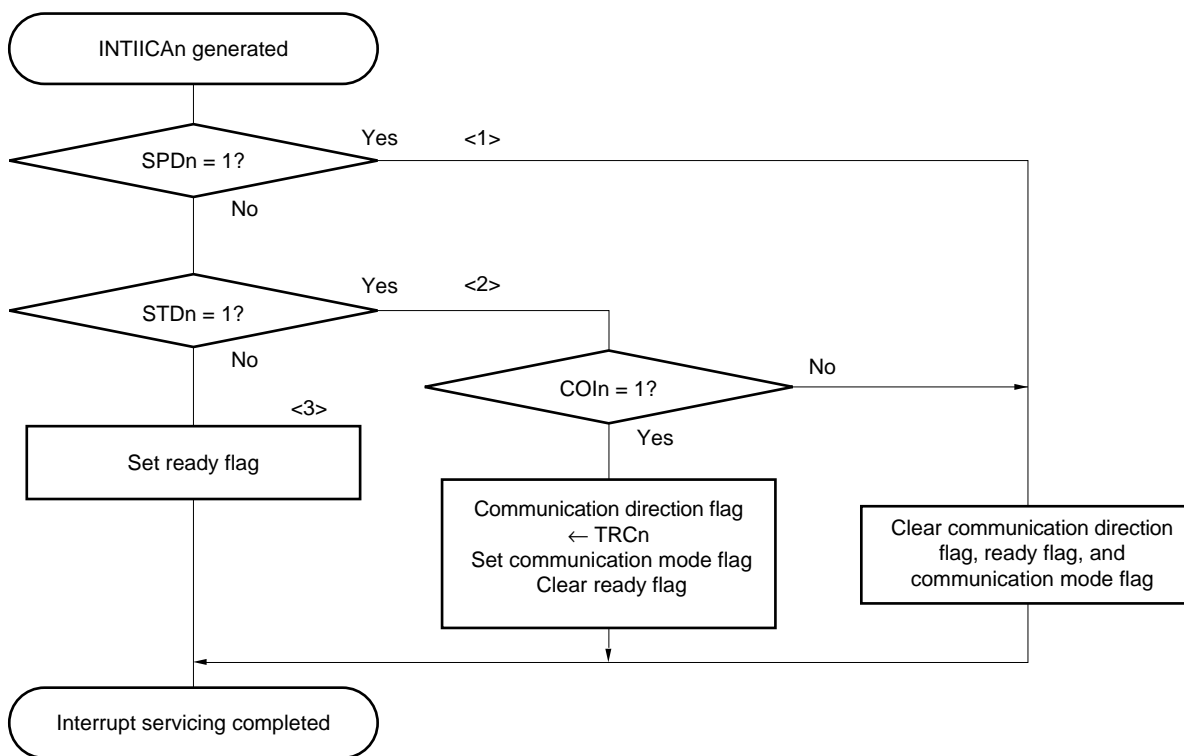
2.. n = 0

An example of the processing procedure of the slave with the INTIICAn interrupt is explained below (processing is performed assuming that no extension code is used). The INTIICAn interrupt checks the status, and the following operations are performed.

- <1> Communication is stopped if the stop condition is issued.
- <2> If the start condition is issued, the address is checked and communication is completed if the address does not match. If the address matches, the communication mode is set, wait is cancelled, and processing returns from the interrupt (the ready flag is cleared).
- <3> For data transmit/receive, only the ready flag is set. Processing returns from the interrupt with the I²C bus remaining in the wait state.

Remark <1> to <3> above correspond to <1> to <3> in Figure 19-32 Slave Operation Flowchart (2).

Figure 19-32. Slave Operation Flowchart (2)



Remark n = 0

19.5.17 Timing of I²C interrupt request (INTIICAn) occurrence

The timing of transmitting or receiving data and generation of interrupt request signal INTIICAn, and the value of the IICA status register n (IICSn) when the INTIICAn signal is generated are shown below.

- Remarks 1.**
- | | |
|-------------|----------------------------------|
| ST: | Start condition |
| AD6 to AD0: | Address |
| R/W: | Transfer direction specification |
| ACK: | Acknowledge |
| D7 to D0: | Data |
| SP: | Stop condition |
- 2.** n = 0

(1) Master device operation

(a) Start ~ Address ~ Data ~ Data ~ Stop (transmission/reception)

(i) When WTIMn = 0

ST	AD6 to AD0	R/W	ACK	D7 to D0	ACK	D7 to D0	ACK	SP
			▲1		▲2		▲3	▲4
								△5

SPTn = 1
↓

▲1: IICSn = 1000x110B
 ▲2: IICSn = 1000x000B
 ▲3: IICSn = 1000x000B (Sets the WTIMn bit to 1)^{Note}
 ▲4: IICSn = 1000xx00B (Sets the SPTn bit to 1)
 △5: IICSn = 00000001B

Note To generate a stop condition, set the WTIMn bit to 1 and change the timing for generating the INTIICAn interrupt request signal.

Remark ▲: Always generated
 △: Generated only when SPIEn = 1
 x: Don't care

(ii) When WTIMn = 1

ST	AD6 to AD0	R/W	ACK	D7 to D0	ACK	D7 to D0	ACK	SP
			▲1		▲2		▲3	△4

SPTn = 1
↓

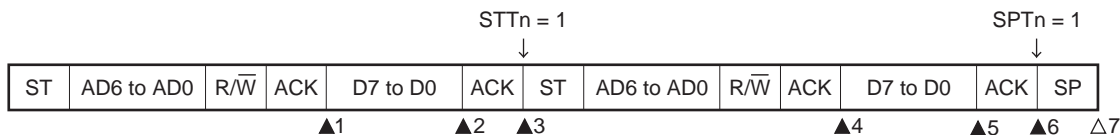
▲1: IICSn = 1000x110B
 ▲2: IICSn = 1000x100B
 ▲3: IICSn = 1000xx00B (Sets the SPTn bit to 1)
 △4: IICSn = 00000001B

Remark ▲: Always generated
 △: Generated only when SPIEn = 1
 x: Don't care

Remark n = 0

(b) Start ~ Address ~ Data ~ Start ~ Address ~ Data ~ Stop (restart)

(i) When WTIMn = 0

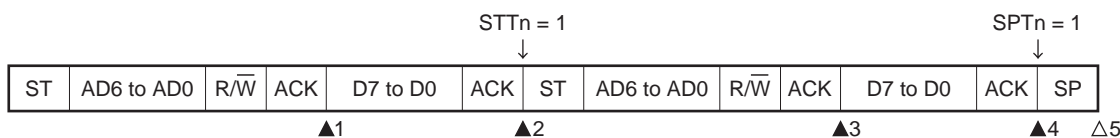


- ▲1: IICSn = 1000x110B
- ▲2: IICSn = 1000x000B (Sets the WTIMn bit to 1)^{Note 1}
- ▲3: IICSn = 1000xx00B (Clears the WTIMn bit to 0^{Note 2}, sets the STTn bit to 1)
- ▲4: IICSn = 1000x110B
- ▲5: IICSn = 1000x000B (Sets the WTIMn bit to 1)^{Note 3}
- ▲6: IICSn = 1000xx00B (Sets the SPTn bit to 1)
- Δ7: IICSn = 00000001B

- Notes 1.** To generate a start condition, set the WTIMn bit to 1 and change the timing for generating the INTIICAn interrupt request signal.
- 2.** Clear the WTIMn bit to 0 to restore the original setting.
- 3.** To generate a stop condition, set the WTIMn bit to 1 and change the timing for generating the INTIICAn interrupt request signal.

Remark ▲: Always generated
 Δ: Generated only when SPIEn = 1
 x: Don't care

(ii) When WTIMn = 1



- ▲1: IICSn = 1000x110B
- ▲2: IICSn = 1000xx00B (Sets the STTn bit to 1)
- ▲3: IICSn = 1000x110B
- ▲4: IICSn = 1000xx00B (Sets the SPTn bit to 1)
- Δ5: IICSn = 00000001B

Remark ▲: Always generated
 Δ: Generated only when SPIEn = 1
 x: Don't care

Remark n = 0

(c) Start ~ Code ~ Data ~ Data ~ Stop (extension code transmission)

(i) When WTIMn = 0

ST	AD6 to AD0	R/W	ACK	D7 to D0	ACK	D7 to D0	ACK	SP
			▲1		▲2		▲3	▲4
								△5

SPTn = 1
↓

▲1: IICSn = 1010x110B
 ▲2: IICSn = 1010x000B
 ▲3: IICSn = 1010x000B (Sets the WTIMn bit to 1)^{Note}
 ▲4: IICSn = 1010xx00B (Sets the SPTn bit to 1)
 △5: IICSn = 00000001B

Note To generate a stop condition, set the WTIMn bit to 1 and change the timing for generating the INTIICAn interrupt request signal.

Remark ▲: Always generated
 △: Generated only when SPIEn = 1
 x: Don't care

(ii) When WTIMn = 1

ST	AD6 to AD0	R/W	ACK	D7 to D0	ACK	D7 to D0	ACK	SP
			▲1		▲2		▲3	△4

SPTn = 1
↓

▲1: IICSn = 1010x110B
 ▲2: IICSn = 1010x100B
 ▲3: IICSn = 1010xx00B (Sets the SPTn bit to 1)
 △4: IICSn = 00001001B

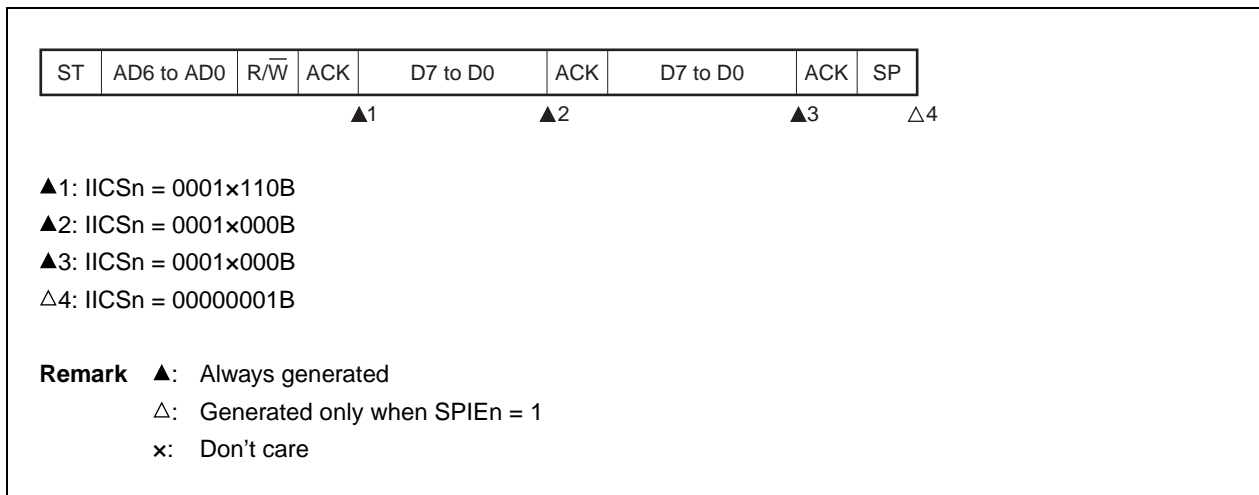
Remark ▲: Always generated
 △: Generated only when SPIEn = 1
 x: Don't care

Remark n = 0

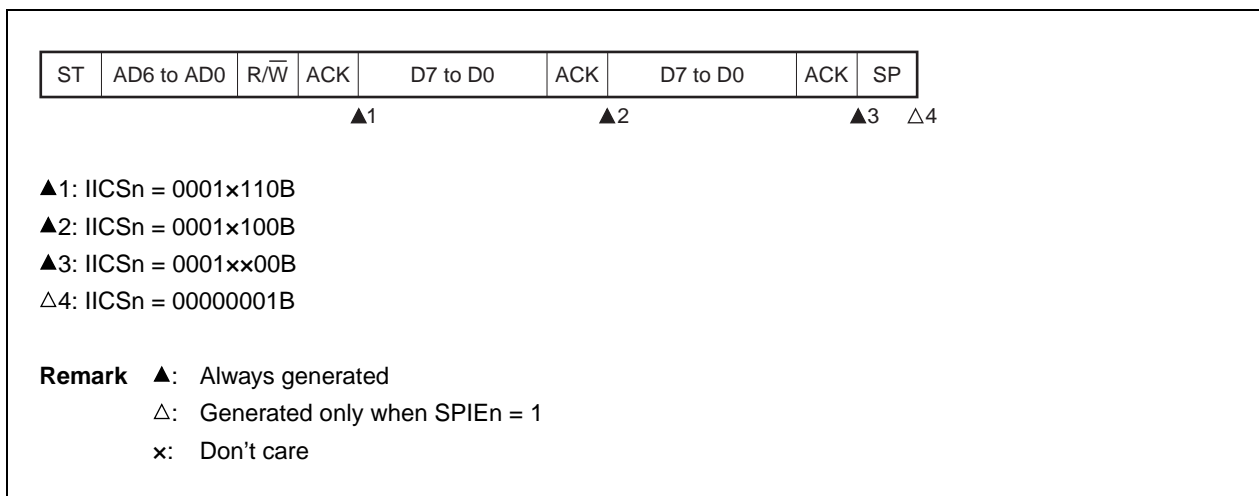
(2) Slave device operation (slave address data reception)

(a) Start ~ Address ~ Data ~ Data ~ Stop

(i) When WTIMn = 0



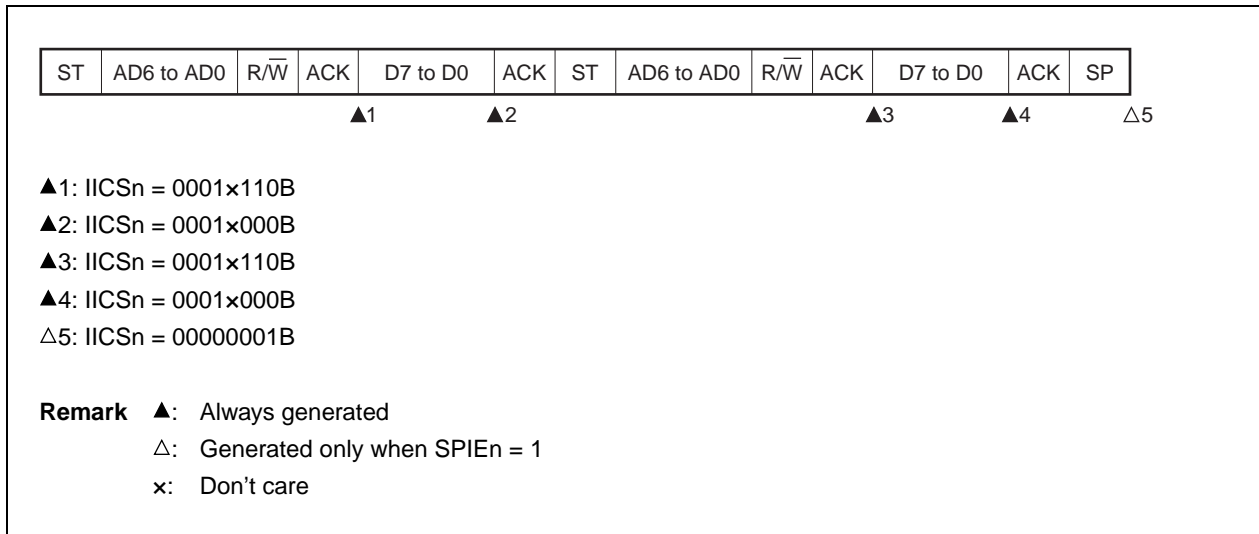
(ii) When WTIMn = 1



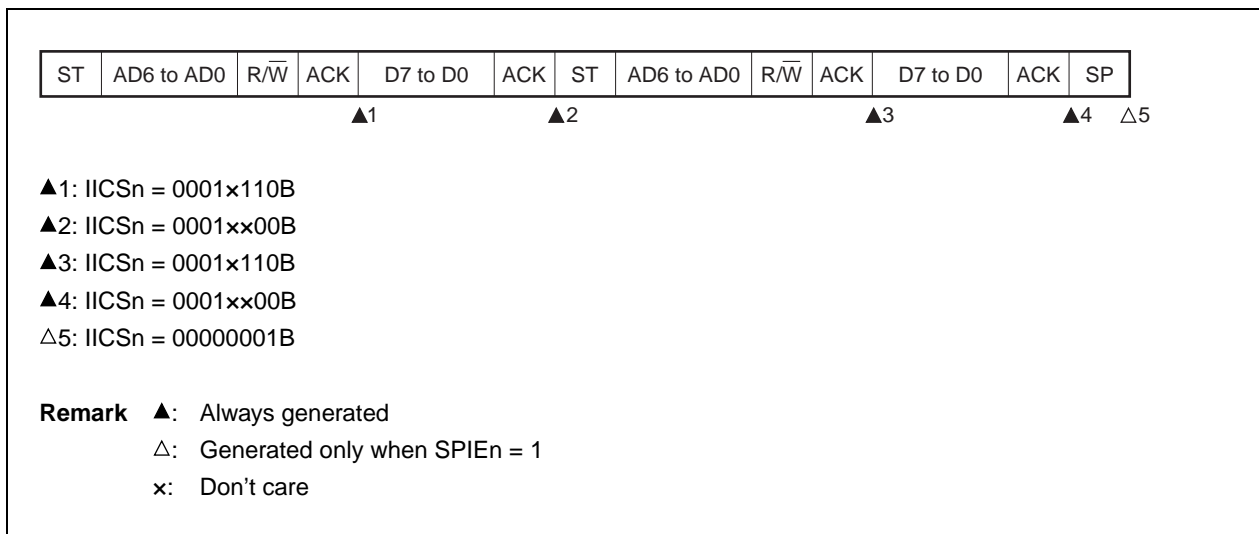
Remark n = 0

(b) Start ~ Address ~ Data ~ Start ~ Address ~ Data ~ Stop

(i) When WTIMn = 0 (after restart, matches with SVAn)



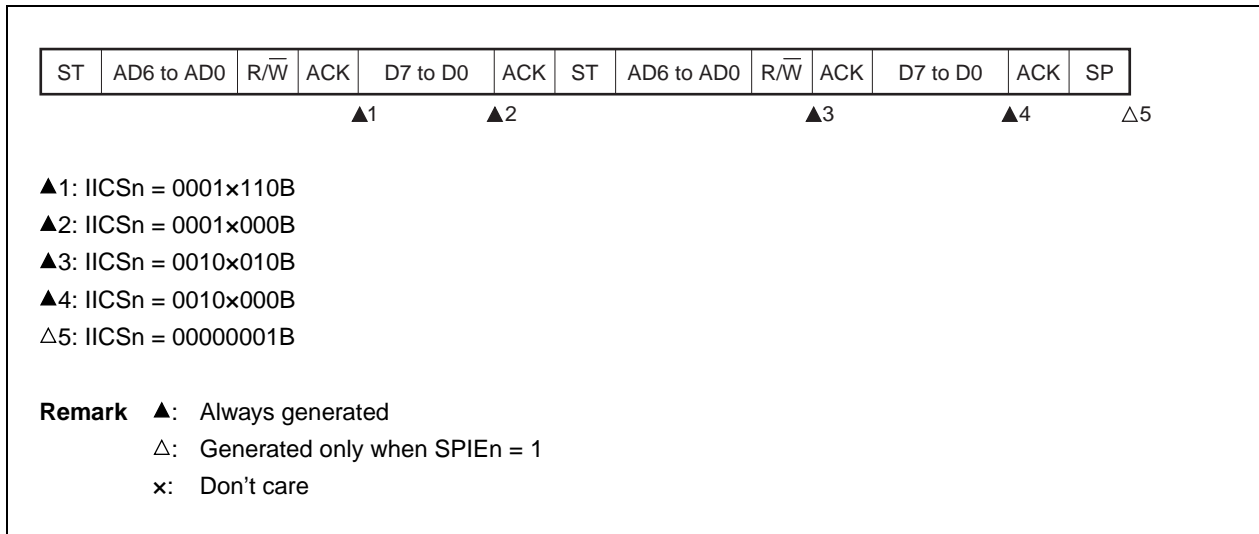
(ii) When WTIMn = 1 (after restart, matches with SVAn)



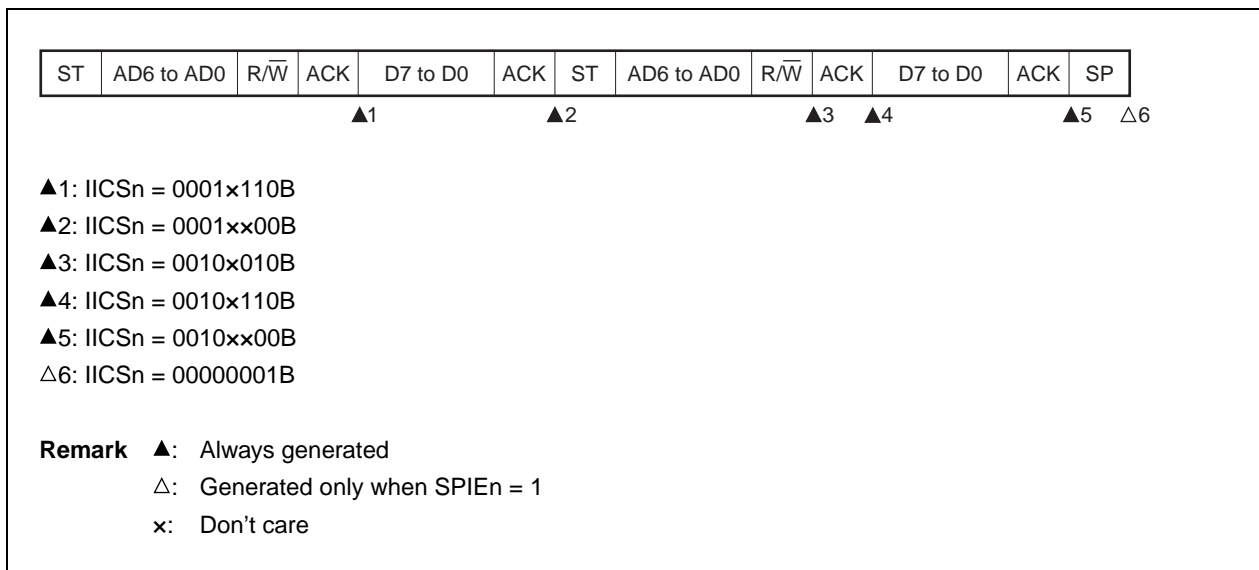
Remark n = 0

(c) Start ~ Address ~ Data ~ Start ~ Code ~ Data ~ Stop

(i) When WTIMn = 0 (after restart, does not match address (= extension code))



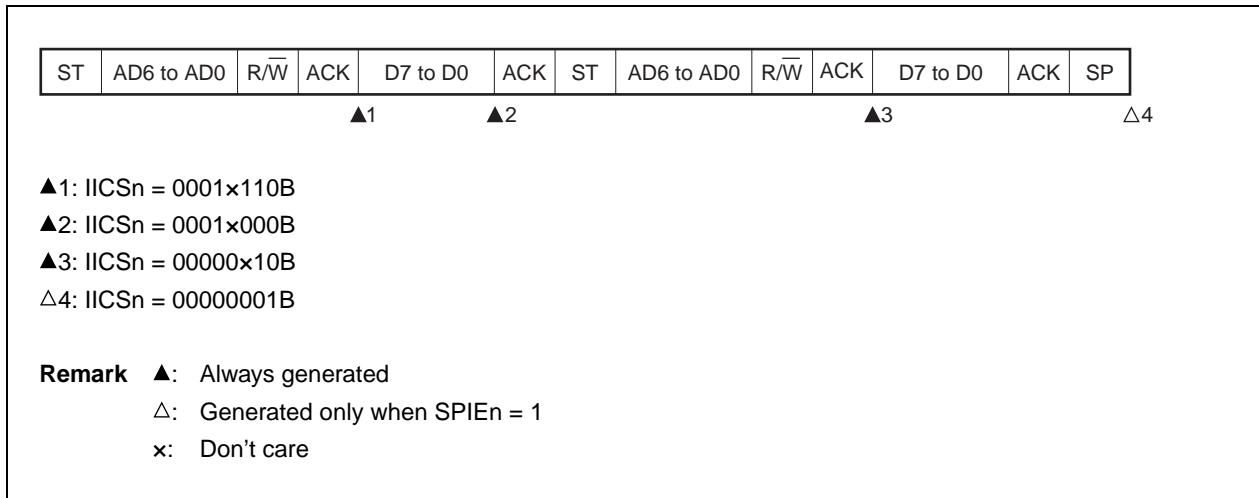
(ii) When WTIMn = 1 (after restart, does not match address (= extension code))



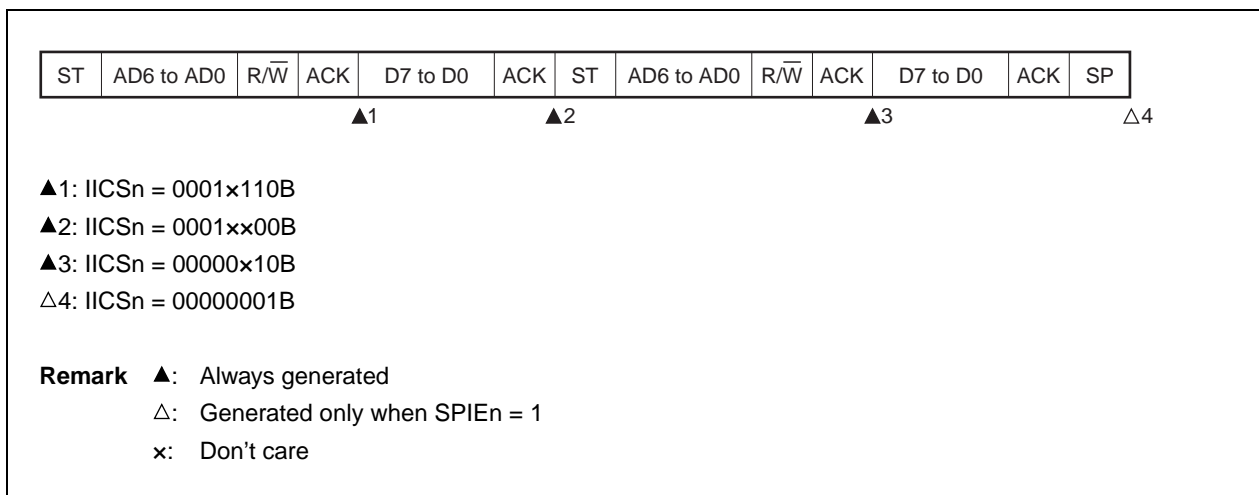
Remark n = 0

(d) Start ~ Address ~ Data ~ Start ~ Address ~ Data ~ Stop

(i) When WTIMn = 0 (after restart, does not match address (= not extension code))



(ii) When WTIMn = 1 (after restart, does not match address (= not extension code))



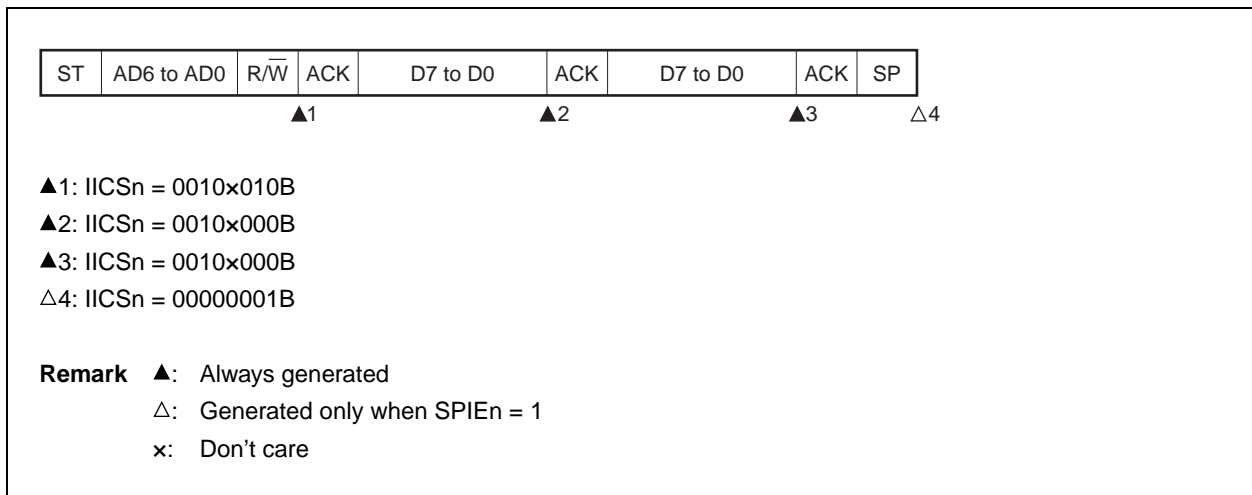
Remark n = 0

(3) Slave device operation (when receiving extension code)

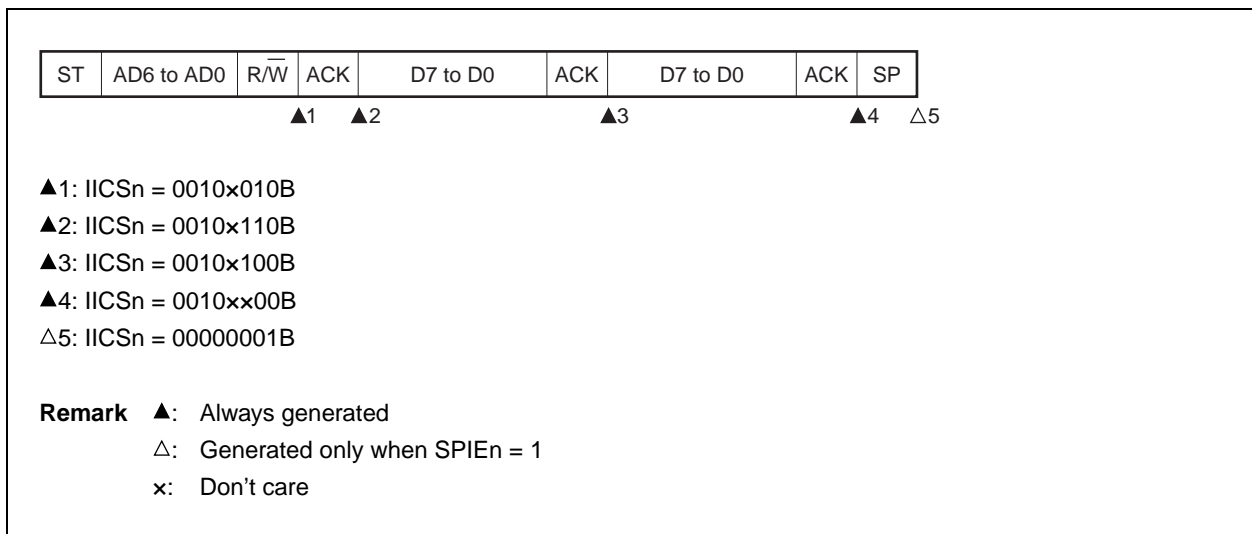
The device is always participating in communication when it receives an extension code.

(a) Start ~ Code ~ Data ~ Data ~ Stop

(i) When WTIMn = 0



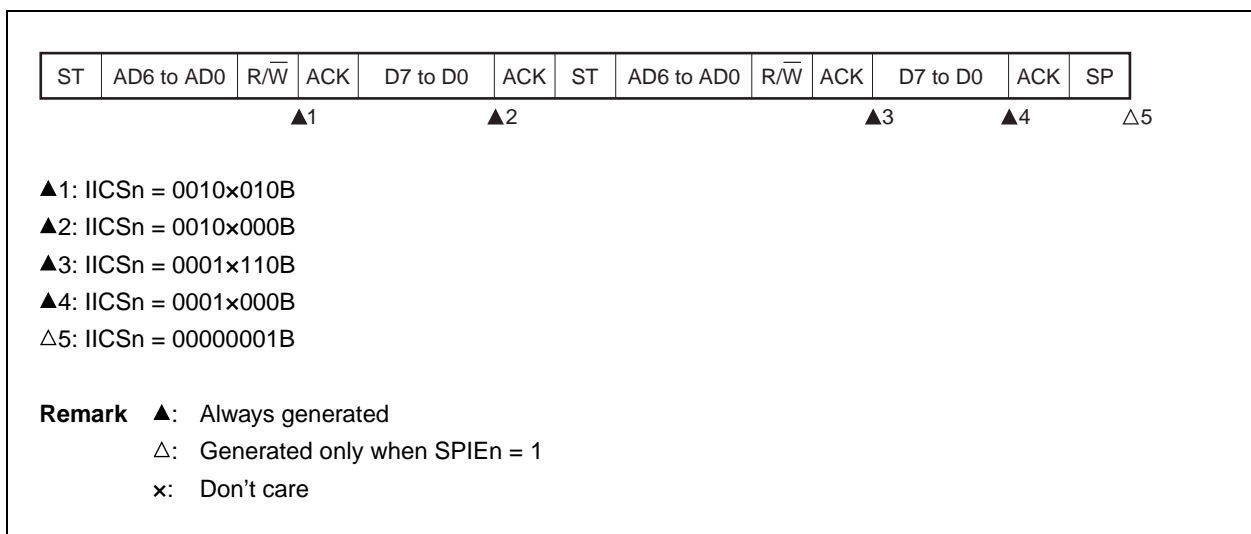
(ii) When WTIMn = 1



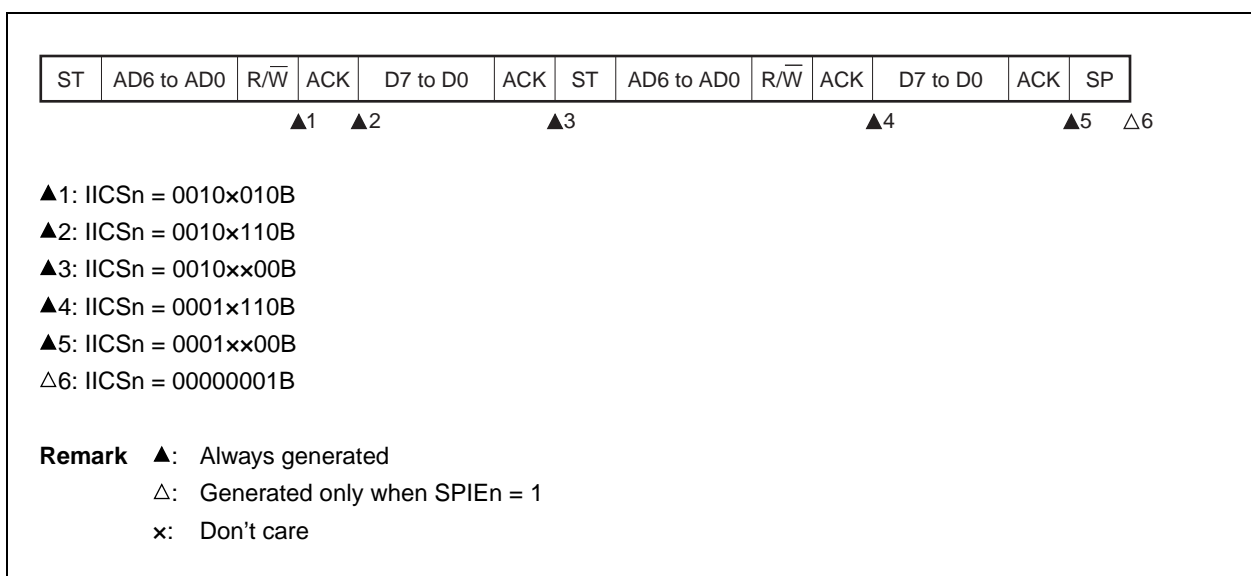
Remark n = 0

(b) Start ~ Code ~ Data ~ Start ~ Address ~ Data ~ Stop

(i) When WTIMn = 0 (after restart, matches SVAn)



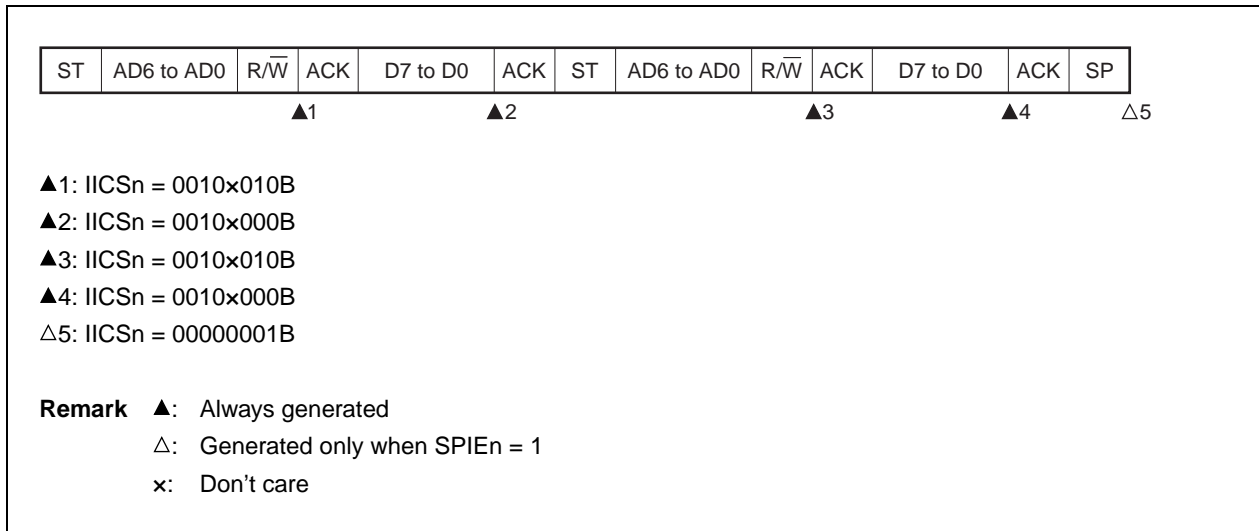
(ii) When WTIMn = 1 (after restart, matches SVAn)



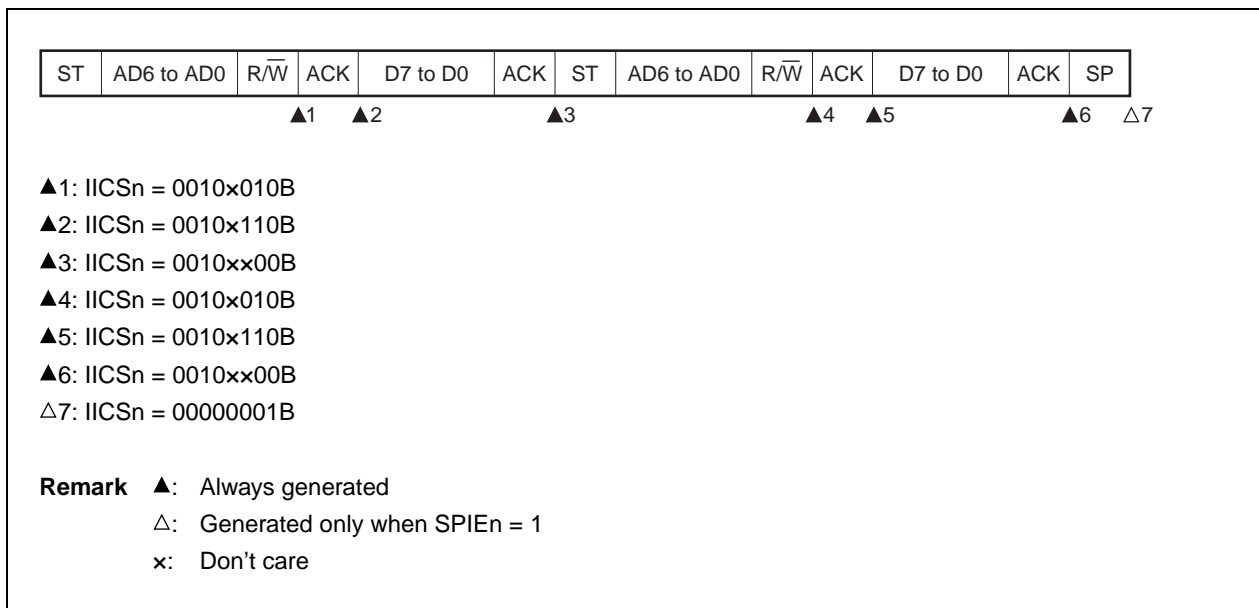
Remark n = 0

(c) Start ~ Code ~ Data ~ Start ~ Code ~ Data ~ Stop

(i) When WTIMn = 0 (after restart, extension code reception)



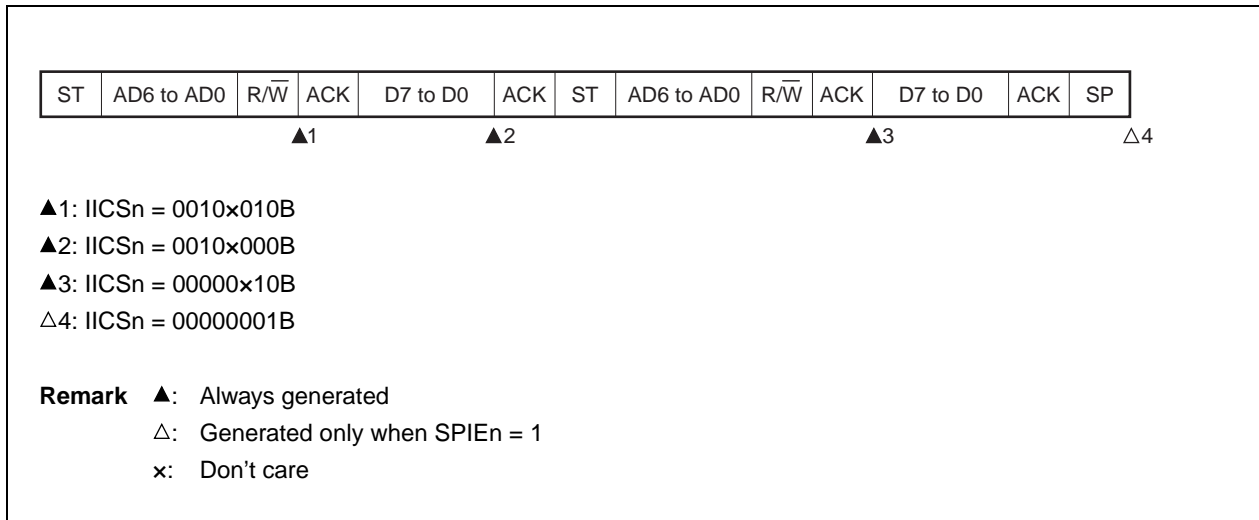
(ii) When WTIMn = 1 (after restart, extension code reception)



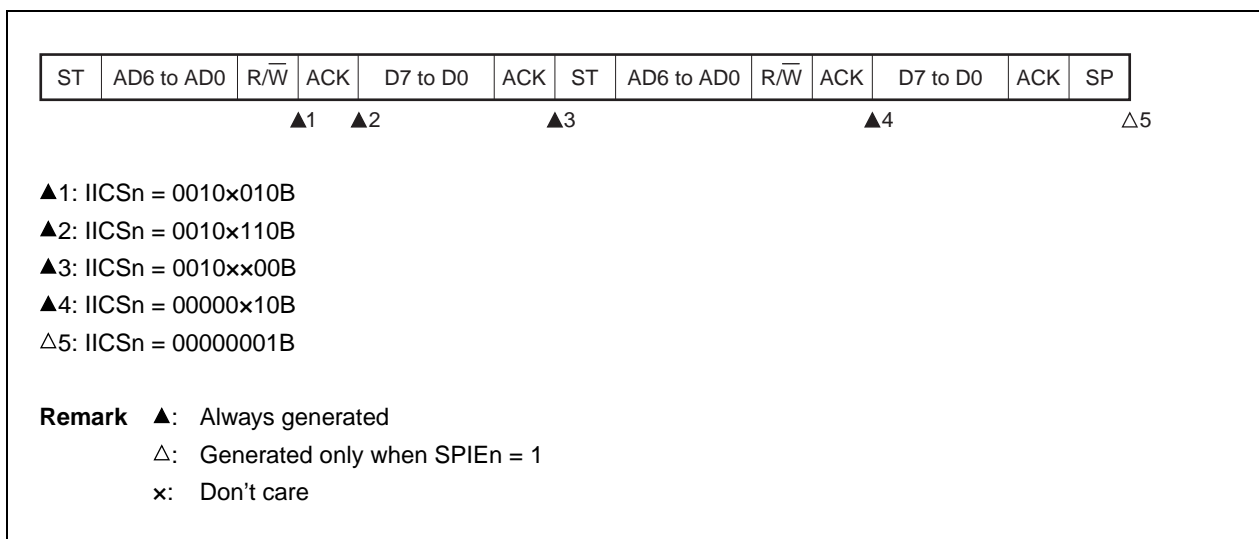
Remark n = 0

(d) Start ~ Code ~ Data ~ Start ~ Address ~ Data ~ Stop

(i) When WTIMn = 0 (after restart, does not match address (= not extension code))



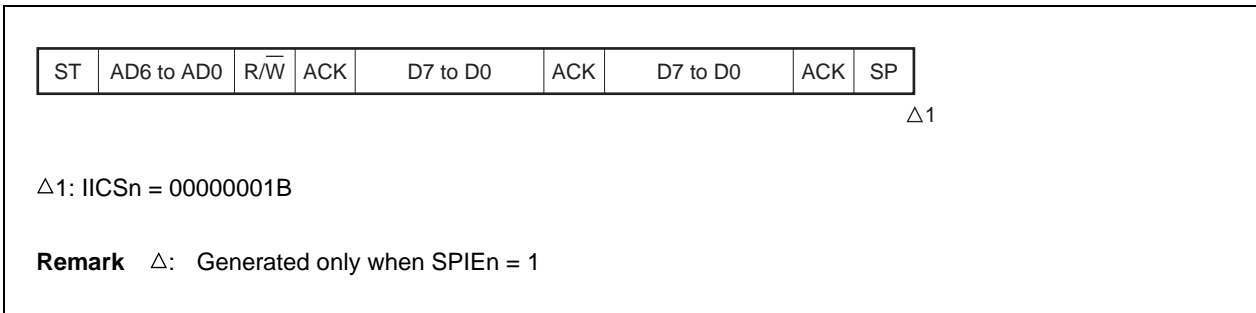
(ii) When WTIMn = 1 (after restart, does not match address (= not extension code))



Remark n = 0

(4) Operation without communication

(a) Start ~ Code ~ Data ~ Data ~ Stop

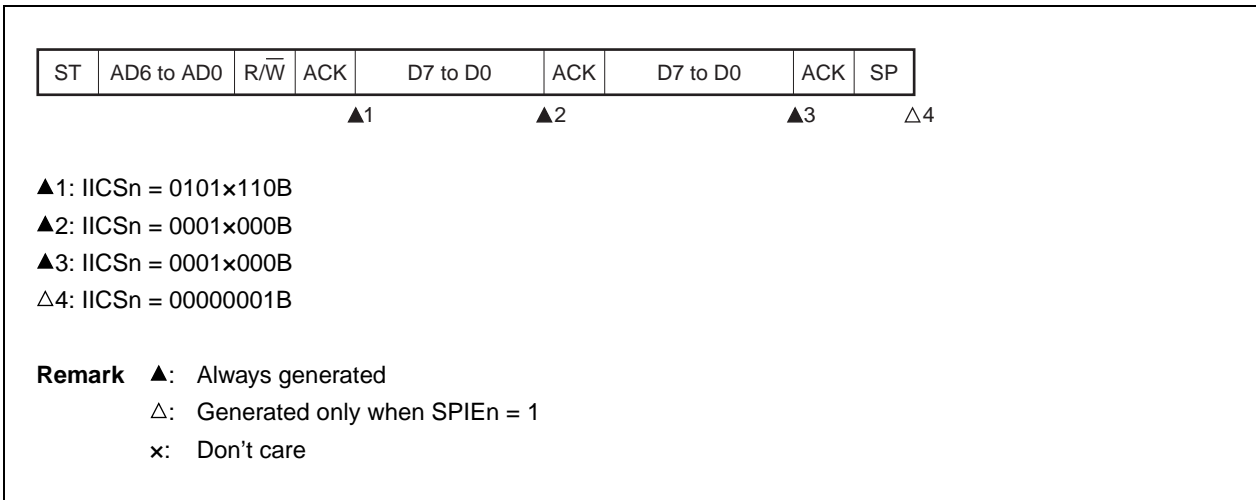


(5) Arbitration loss operation (operation as slave after arbitration loss)

When the device is used as a master in a multi-master system, read the MSTSn bit each time interrupt request signal INTIICAn has occurred to check the arbitration result.

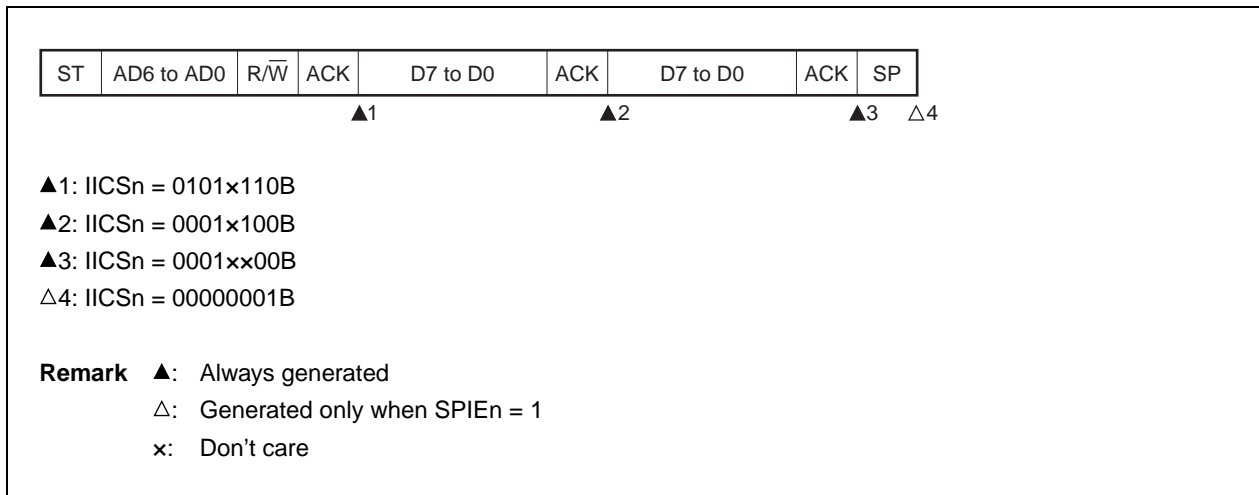
(a) When arbitration loss occurs during transmission of slave address data

(i) When WTIMn = 0



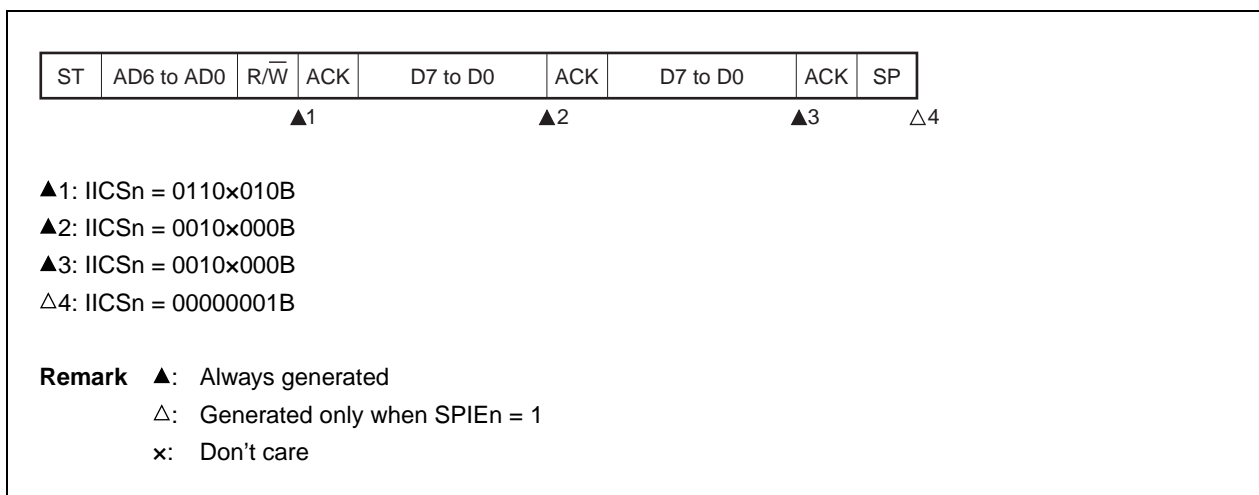
Remark n = 0

(ii) When WTIMn = 1



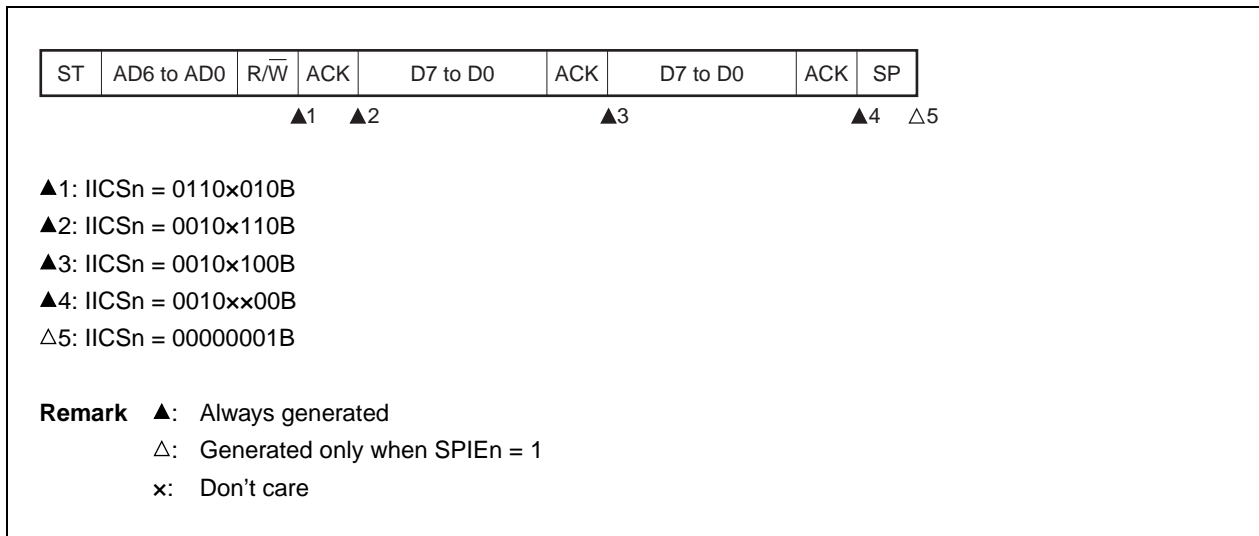
(b) When arbitration loss occurs during transmission of extension code

(i) When WTIMn = 0



Remark n = 0

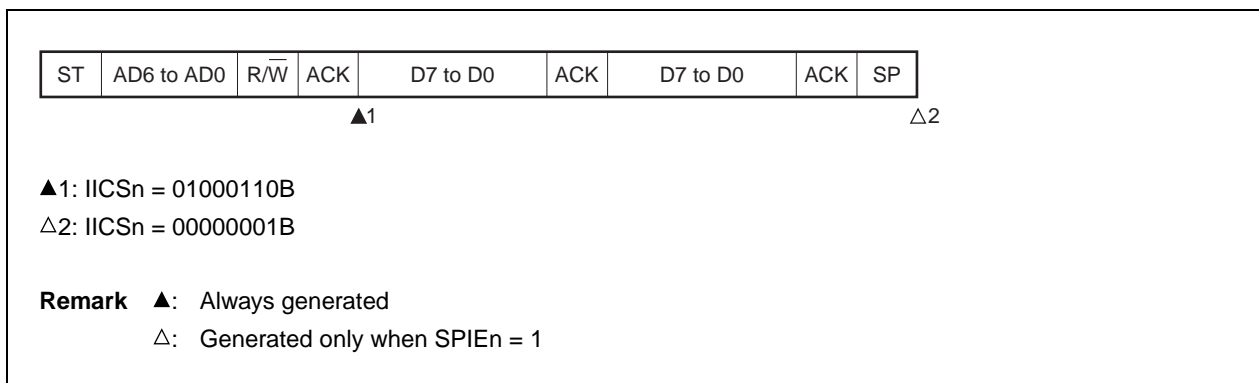
(ii) When WTIMn = 1



(6) Operation when arbitration loss occurs (no communication after arbitration loss)

When the device is used as a master in a multi-master system, read the MSTSn bit each time interrupt request signal INTIICAn has occurred to check the arbitration result.

(a) When arbitration loss occurs during transmission of slave address data (when WTIMn = 1)



Remark n = 0

(b) When arbitration loss occurs during transmission of extension code

ST	AD6 to AD0	R/W	ACK	D7 to D0	ACK	D7 to D0	ACK	SP
			▲1				△2	

▲1: IICSn = 0110x010B
 Sets LRELn = 1 by software
 △2: IICSn = 00000001B

Remark ▲: Always generated
 △: Generated only when SPIEn = 1
 x: Don't care

(c) When arbitration loss occurs during transmission of data

(i) When WTIMn = 0

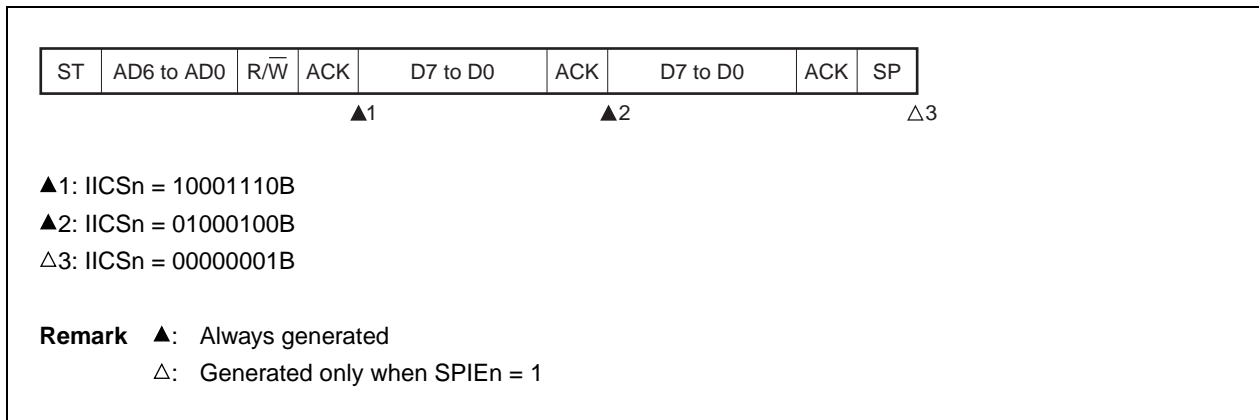
ST	AD6 to AD0	R/W	ACK	D7 to D0	ACK	D7 to D0	ACK	SP
			▲1		▲2			△3

▲1: IICSn = 10001110B
 ▲2: IICSn = 01000000B
 △3: IICSn = 00000001B

Remark ▲: Always generated
 △: Generated only when SPIEn = 1

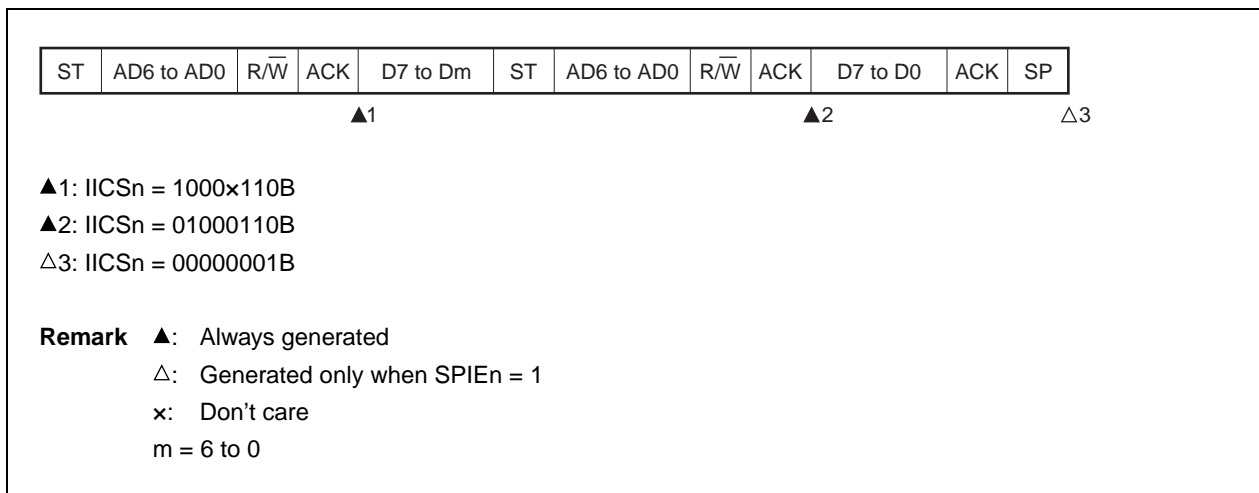
Remark n = 0

(ii) When WTIMn = 1



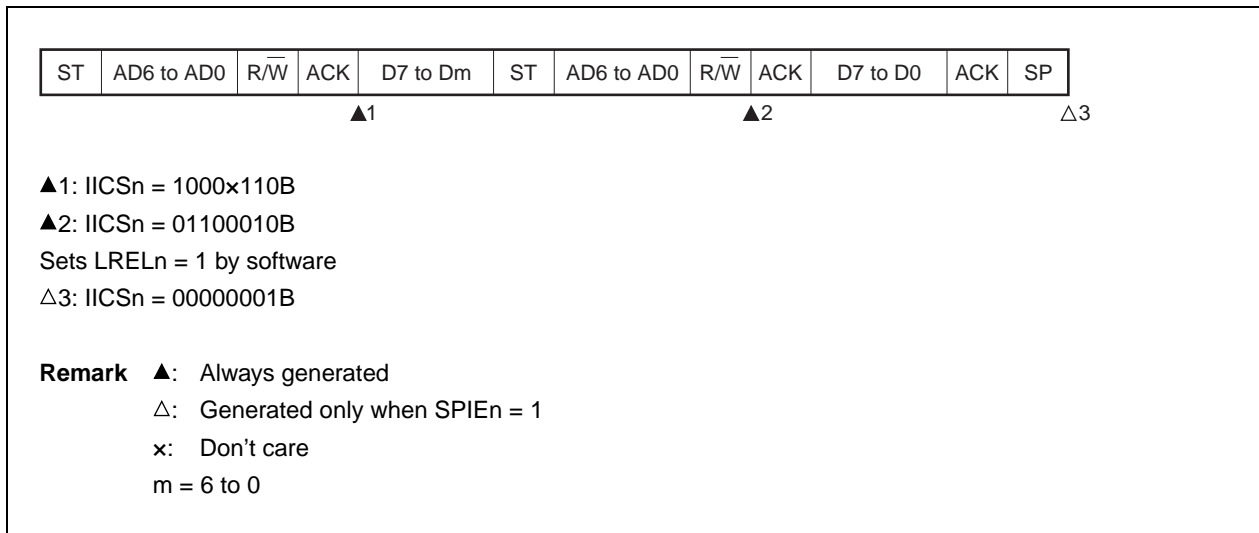
(d) When loss occurs due to restart condition during data transfer

(i) Not extension code (Example: unmatched with SVAn)

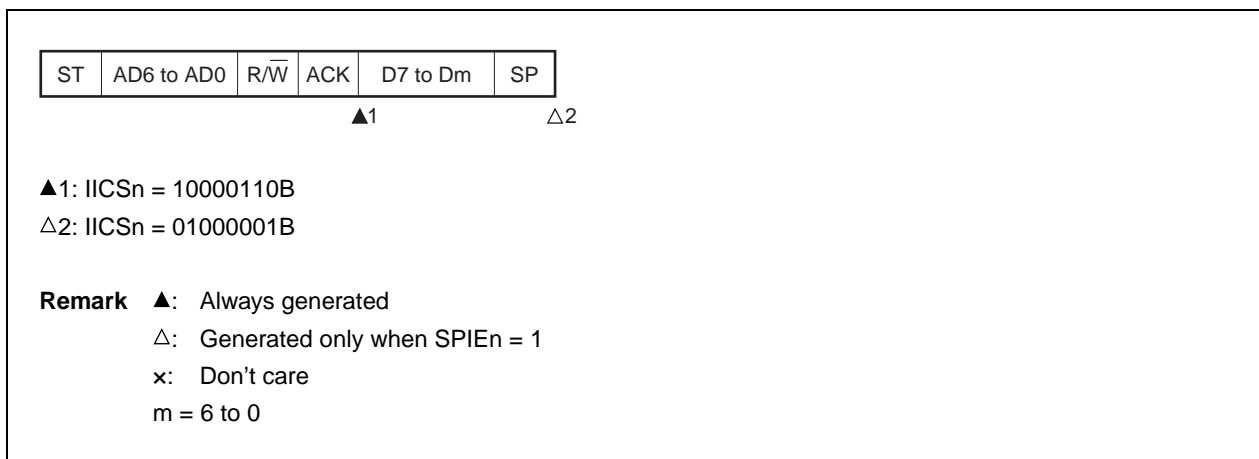


Remark n = 0

(ii) Extension code



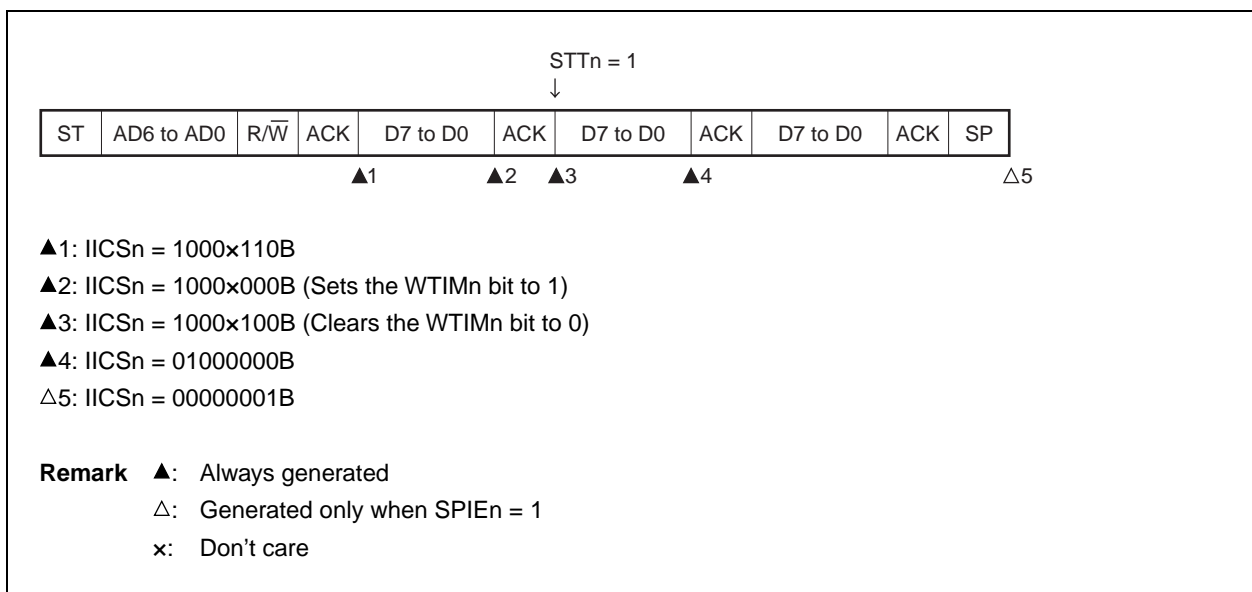
(e) When loss occurs due to stop condition during data transfer



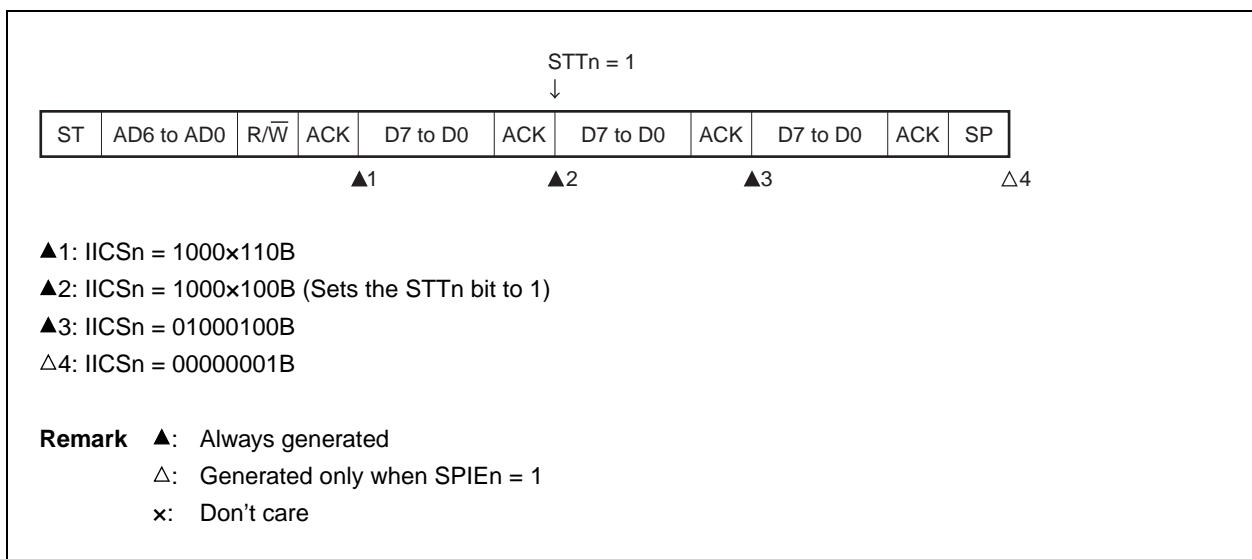
Remark n = 0

(f) When arbitration loss occurs due to low-level data when attempting to generate a restart condition

(i) When WTIMn = 0



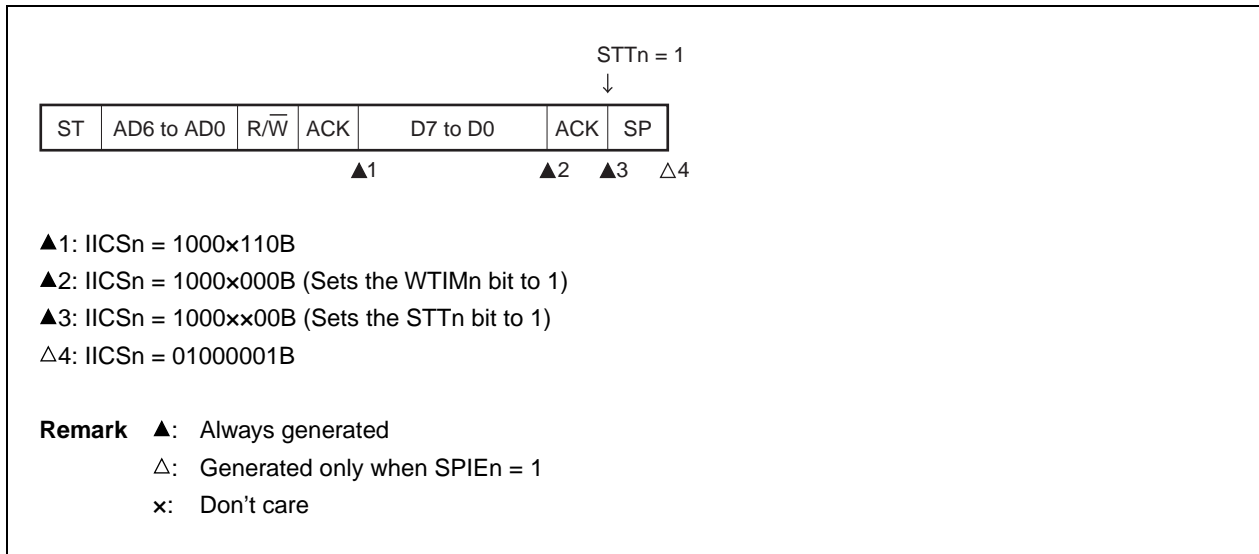
(ii) When WTIMn = 1



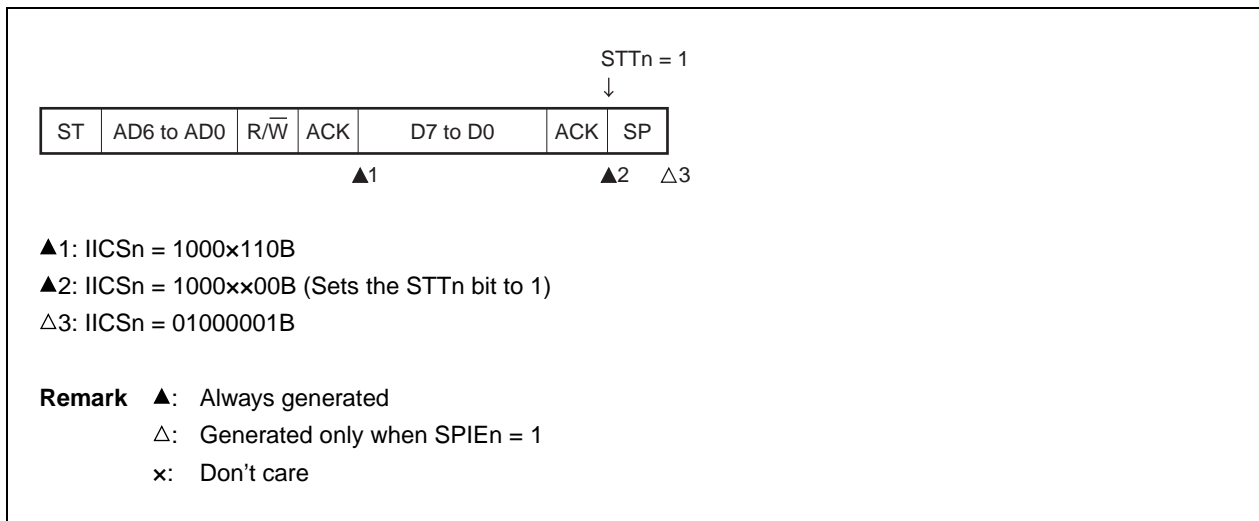
Remark n = 0

(g) When arbitration loss occurs due to a stop condition when attempting to generate a restart condition

(i) When $WTIMn = 0$



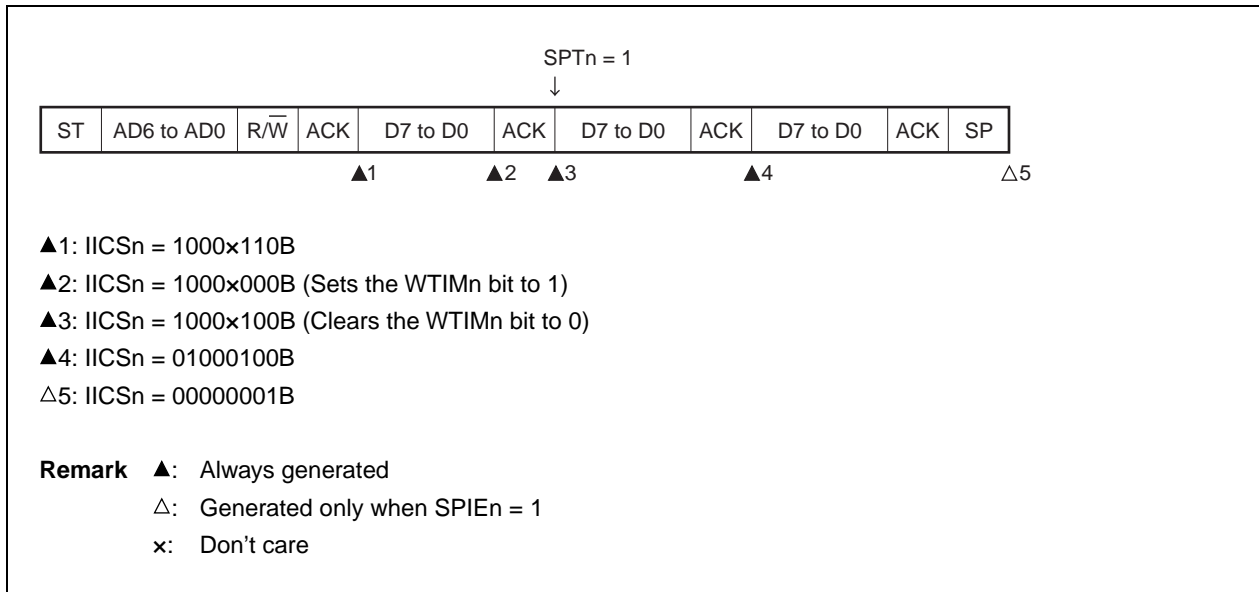
(ii) When $WTIMn = 1$



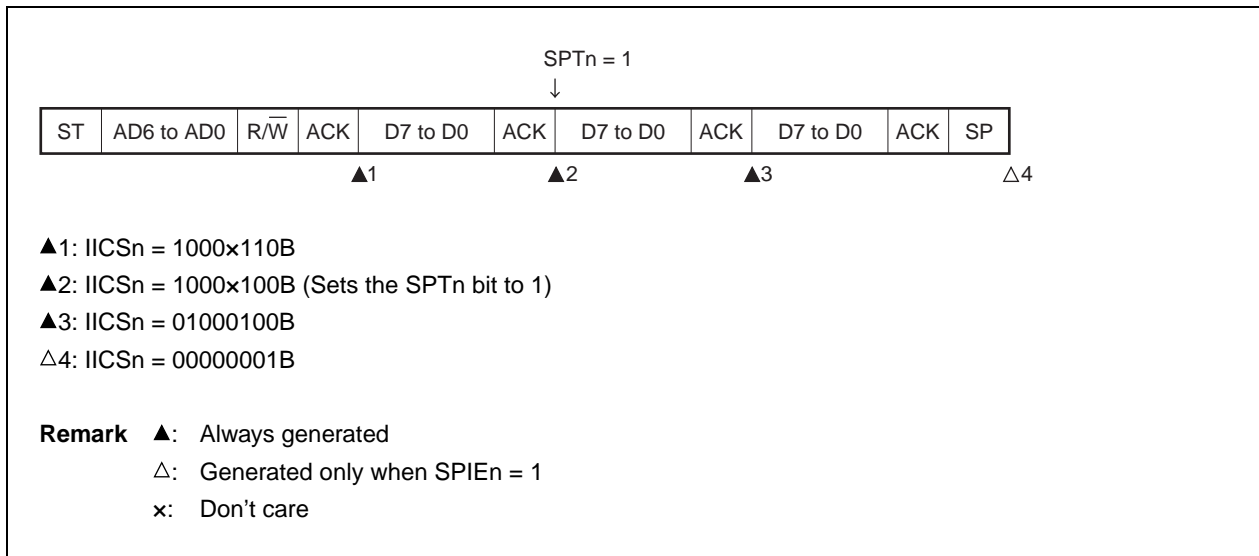
Remark n = 0

(h) When arbitration loss occurs due to low-level data when attempting to generate a stop condition

(i) When $WTIMn = 0$



(ii) When $WTIMn = 1$



Remark n = 0

19.6 Timing Charts

When using the I²C bus mode, the master device outputs an address via the serial bus to select one of several slave devices as its communication partner.

After outputting the slave address, the master device transmits the TRCn bit (bit 3 of the IICA status register n (IICSn)), which specifies the data transfer direction, and then starts serial communication with the slave device.

Figures 19-33 and 19-34 show timing charts of the data communication.

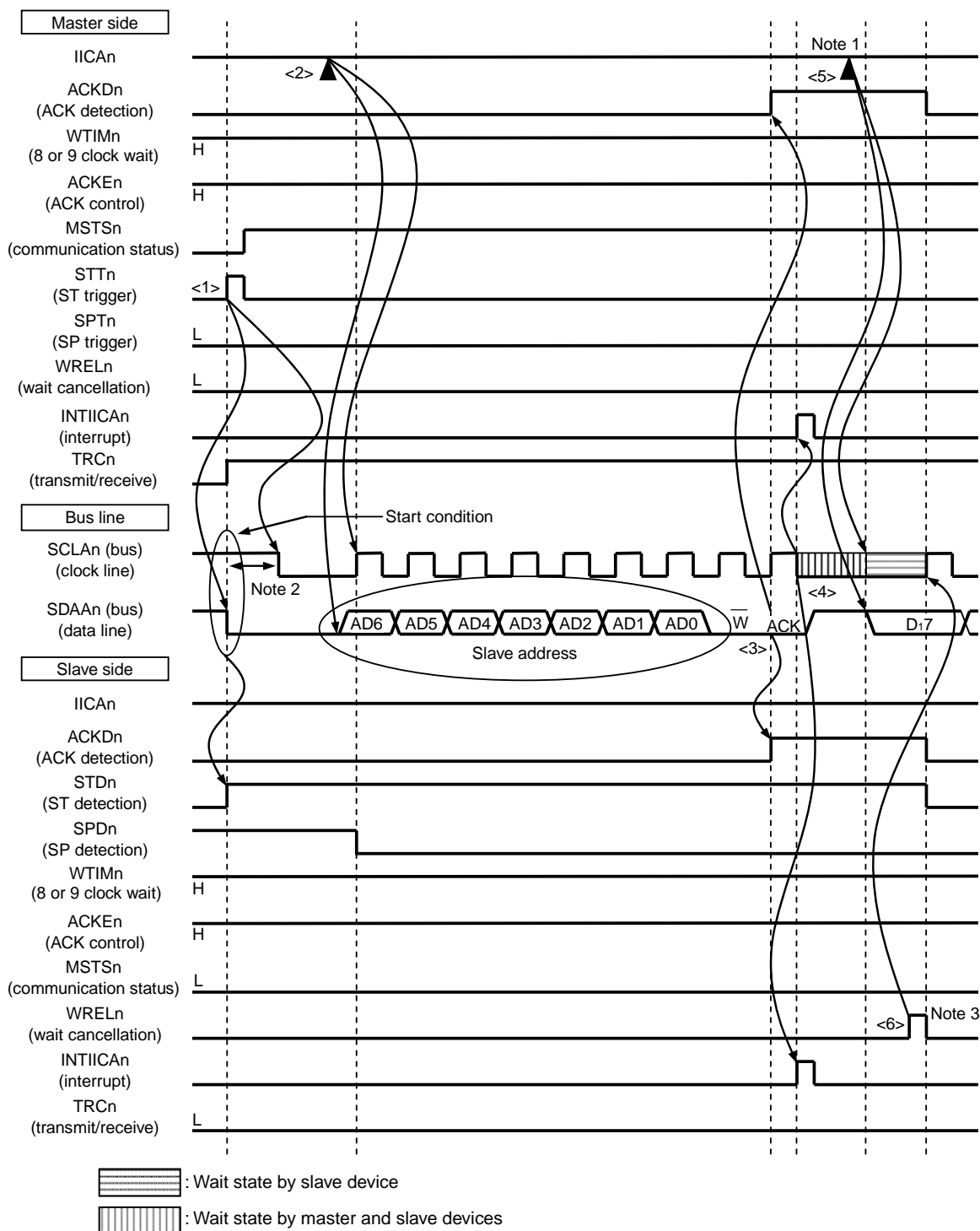
The IICA shift register n (IICAn)'s shift operation is synchronized with the falling edge of the serial clock (SCLAn). The transmit data is transferred to the SO latch and is output (MSB first) via the SDAAn pin.

Data input via the SDAAn pin is captured into IICAn at the rising edge of SCLAn.

Remark n = 0

Figure 19-33. Example of Master to Slave Communication
(9-Clock Wait Is Selected for Master, 9-Clock Wait Is Selected for Slave) (1/4)

(1) Start condition ~ address ~ data



- Notes**
- Write data to IICAn, not setting the WRELn bit, in order to cancel a wait state during transmission by a master device.
 - Make sure that the time between the fall of the SDAAn pin signal and the fall of the SCLAn pin signal is at least 4.0 μs when specifying standard mode and at least 0.6 μs when specifying fast mode.
 - For releasing wait state during reception of a slave device, write “FFH” to IICAn or set the WRELn bit.

Remark n = 0

The following is a description of the Figure 19-33 (1) Start condition ~ address ~ data <1> to <6>.

- <1> The start condition trigger is set by the master device ($STTn = 1$) and a start condition (i.e. $SCLAn = 1$ changes $SDAAn$ from 1 to 0) is generated once the bus data line goes low ($SDAAn$). When the start condition is subsequently detected, the master device enters the master device communication status ($MSTS_n = 1$). The master device is ready to communicate once the bus clock line goes low ($SCLAn = 0$) after the hold time has elapsed.
- <2> The master device writes the address + W (transmission) to the IICA shift register n ($IICAn$) and transmits the slave address.
- <3> In the slave device if the address received matches the address (SVA_n value) of a slave device^{Note}, that slave device sends an ACK by hardware to the master device. The ACK is detected by the master device ($ACKDn = 1$) at the rising edge of the 9th clock.
- <4> The master device issues an interrupt ($INTIICAn$: end of address transmission) at the falling edge of the 9th clock. The slave device whose address matched the transmitted slave address sets a wait status ($SCLAn = 0$) and issues an interrupt ($INTIICAn$: address match)^{Note}.
- <5> The master device writes the data to transmit to the $IICAn$ register and releases the wait status that it set by the master device.
- <6> If the slave device releases the wait status ($WREL_n = 1$), the master device starts transferring data to the slave device.

Note If the transmitted address does not match the address of the slave device, the slave device does not return an ACK to the master device (NACK: $SDAAn = 1$). The slave device also does not issue the $INTIICAn$ interrupt (address match) and does not set a wait status. The master device, however, issues the $INTIICAn$ interrupt (end of address transmission) regardless of whether it receives an ACK or NACK.

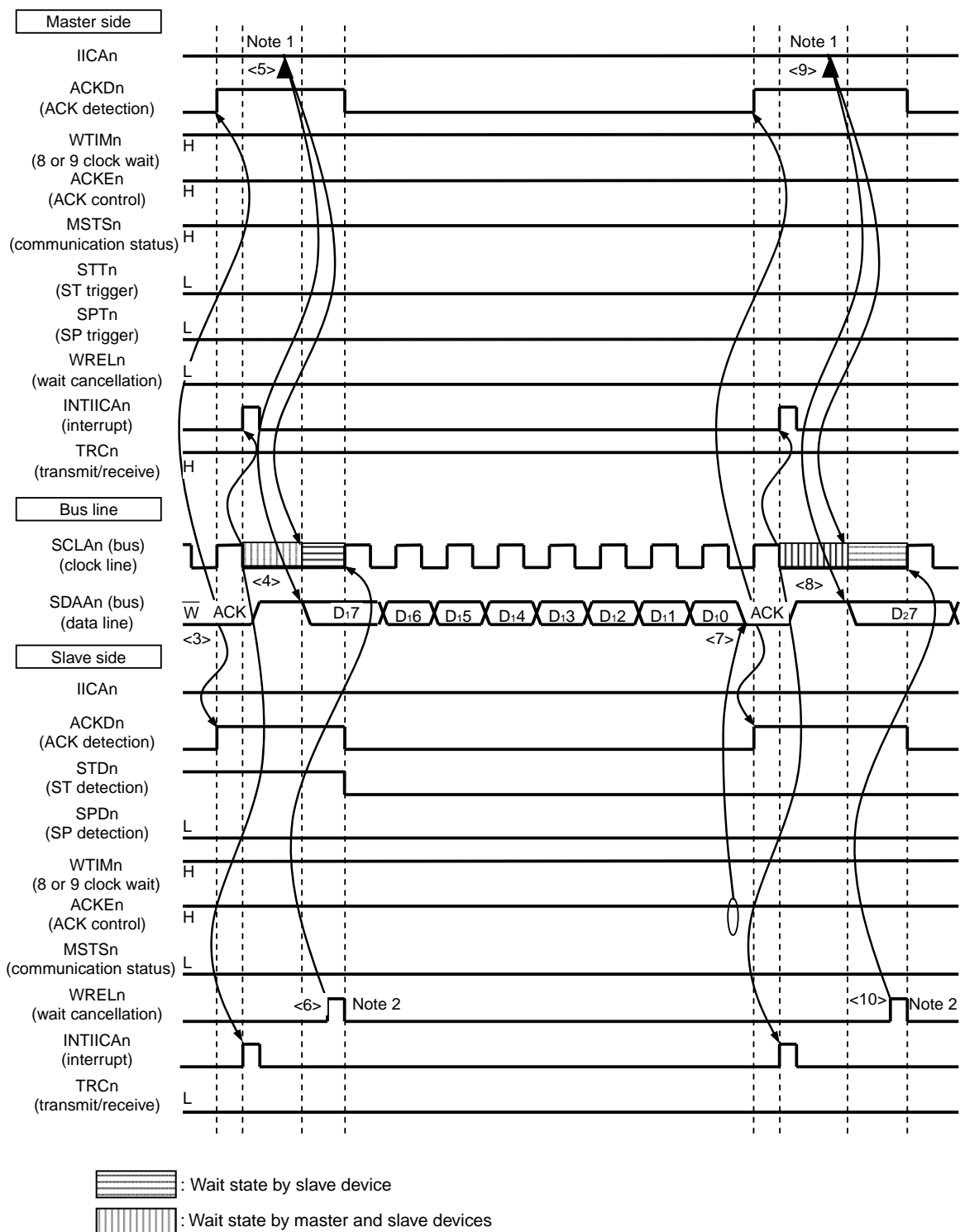
Remarks 1. <1> to <15> in Figure 19-33 represent the entire procedure for communicating data using the I²C bus.

Figure 19-33 (1) Start condition ~ address ~ data shows the processing from <1> to <6>, Figure 19-33 (2) Address ~ data ~ data shows the processing from <3> to <10>, and Figure 19-33 (3) Data ~ data ~ stop condition shows the processing from <7> to <15>.

2. $n = 0$

**Figure 19-33. Example of Master to Slave Communication
(9-Clock Wait Is Selected for Master, 9-Clock Wait Is Selected for Slave) (2/4)**

(2) Address ~ data ~ data



- Notes**
- Write data to IICAn, not setting the WRELn bit, in order to cancel a wait state during transmission by a master device.
 - For releasing wait state during reception of a slave device, write "FFH" to IICAn or set the WRELn bit.

Remark n = 0

The following is a description of the Figure 19-33 (2) Address ~ data ~ data <3> to <10>.

- <3> In the slave device if the address received matches the address (SVAn value) of a slave device^{Note}, that slave device sends an ACK by hardware to the master device. The ACK is detected by the master device (ACKDn = 1) at the rising edge of the 9th clock.
- <4> The master device issues an interrupt (INTIICAn: end of address transmission) at the falling edge of the 9th clock. The slave device whose address matched the transmitted slave address sets a wait status (SCLAn = 0) and issues an interrupt (INTIICAn: address match)^{Note}.
- <5> The master device writes the data to transmit to the IICA shift register n (IICAn) and releases the wait status that it set by the master device.
- <6> If the slave device releases the wait status (WRELn = 1), the master device starts transferring data to the slave device.
- <7> After data transfer is completed, because of ACKEn = 1, the slave device sends an ACK by hardware to the master device. The ACK is detected by the master device (ACKDn = 1) at the rising edge of the 9th clock.
- <8> The master device and slave device set a wait status (SCLAn = 0) at the falling edge of the 9th clock, and both the master device and slave device issue an interrupt (INTIICAn: end of transfer).
- <9> The master device writes the data to transmit to the IICAn register and releases the wait status that it set by the master device.
- <10> The slave device reads the received data and releases the wait status (WRELn = 1). The master device then starts transferring data to the slave device.

Note If the transmitted address does not match the address of the slave device, the slave device does not return an ACK to the master device (NACK: SDAA_n = 1). The slave device also does not issue the INTIICAn interrupt (address match) and does not set a wait status. The master device, however, issues the INTIICAn interrupt (end of address transmission) regardless of whether it receives an ACK or NACK.

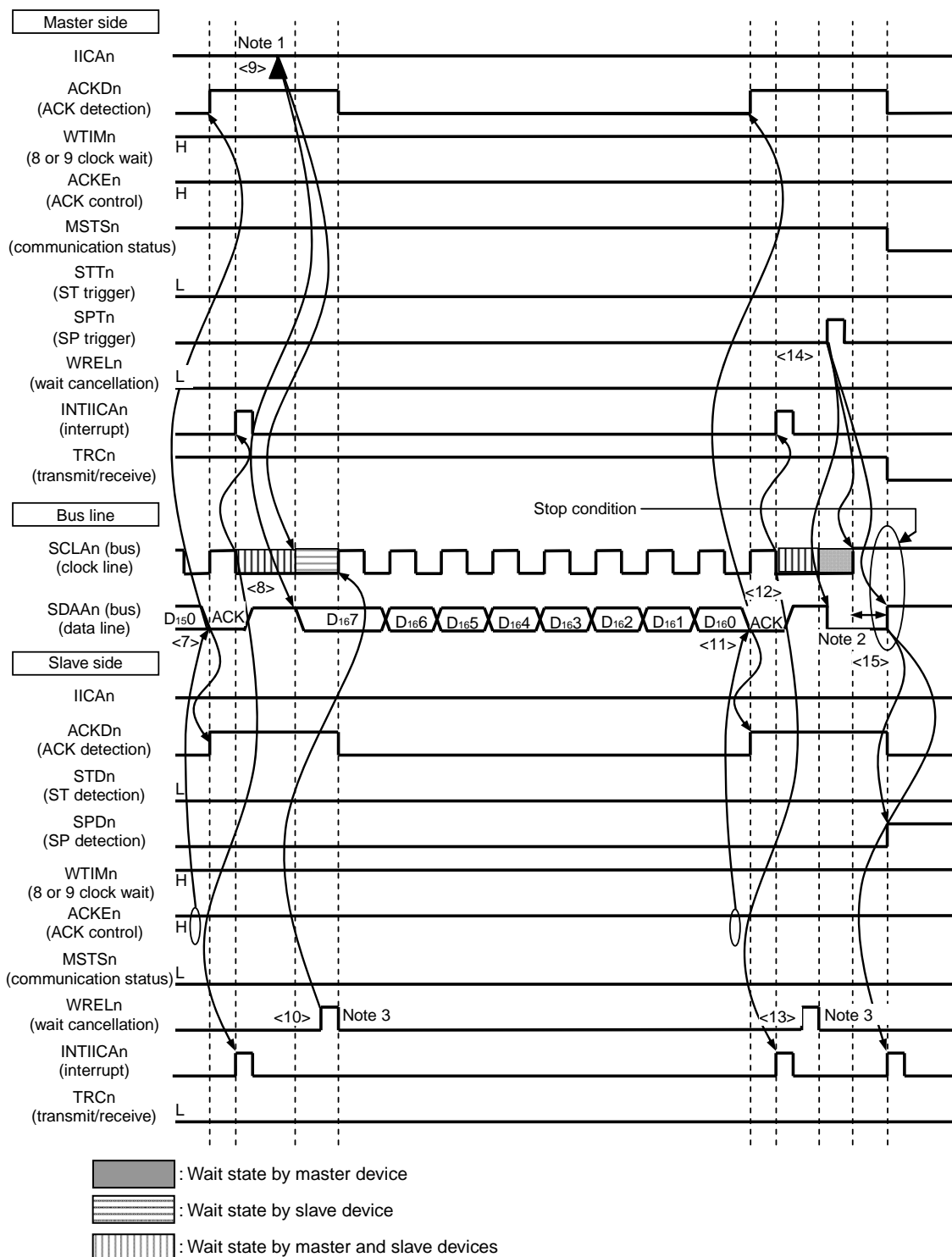
Remarks 1. <1> to <15> in Figure 19-33 represent the entire procedure for communicating data using the I²C bus.

Figure 19-33 (1) Start condition ~ address ~ data shows the processing from <1> to <6>, Figure 19-33 (2) Address ~ data ~ data shows the processing from <3> to <10>, and Figure 19-33 (3) Data ~ data ~ stop condition shows the processing from <7> to <15>.

2. n = 0

**Figure 19-33. Example of Master to Slave Communication
(9-Clock Wait Is Selected for Master, 9-Clock Wait Is Selected for Slave) (3/4)**

(3) Data ~ data ~ Stop condition



- Notes**
1. Write data to IICAn, not setting the WRELn bit, in order to cancel a wait state during transmission by a master device.
 2. Make sure that the time between the rise of the SCLAn pin signal and the generation of the stop condition after a stop condition has been issued is at least 4.0 μ s when specifying standard mode and at least 0.6 μ s when specifying fast mode.
 3. For releasing wait state during reception of a slave device, write "FFH" to IICAn or set the WRELn bit.

Remark n = 0

The following is a description of the Figure 19-33 (3) Data ~ data ~ stop condition <7> to <15>.

- <7> After data transfer is completed, because of ACKEn = 1, the slave device sends an ACK by hardware to the master device. The ACK is detected by the master device (ACKDn = 1) at the rising edge of the 9th clock.
- <8> The master device and slave device set a wait status (SCLAn = 0) at the falling edge of the 9th clock, and both the master device and slave device issue an interrupt (INTIICAn: end of transfer).
- <9> The master device writes the data to transmit to the IICA shift register n (IICAn) and releases the wait status that it set by the master device.
- <10> The slave device reads the received data and releases the wait status (WRELn = 1). The master device then starts transferring data to the slave device.
- <11> When data transfer is complete, the slave device (ACKEn = 1) sends an ACK by hardware to the master device. The ACK is detected by the master device (ACKDn = 1) at the rising edge of the 9th clock.
- <12> The master device and slave device set a wait status (SCLAn = 0) at the falling edge of the 9th clock, and both the master device and slave device issue an interrupt (INTIICAn: end of transfer).
- <13> The slave device reads the received data and releases the wait status (WRELn = 1).
- <14> By the master device setting a stop condition trigger (SPTn = 1), the bus data line is cleared (SDAAn = 0) and the bus clock line is set (SCLAn = 1). After the stop condition setup time has elapsed, by setting the bus data line (SDAAn = 1), the stop condition is then generated (i.e. SCLAn = 1 changes SDAAn from 0 to 1).
- <15> When a stop condition is generated, the slave device detects the stop condition and issues an interrupt (INTIICAn: stop condition).

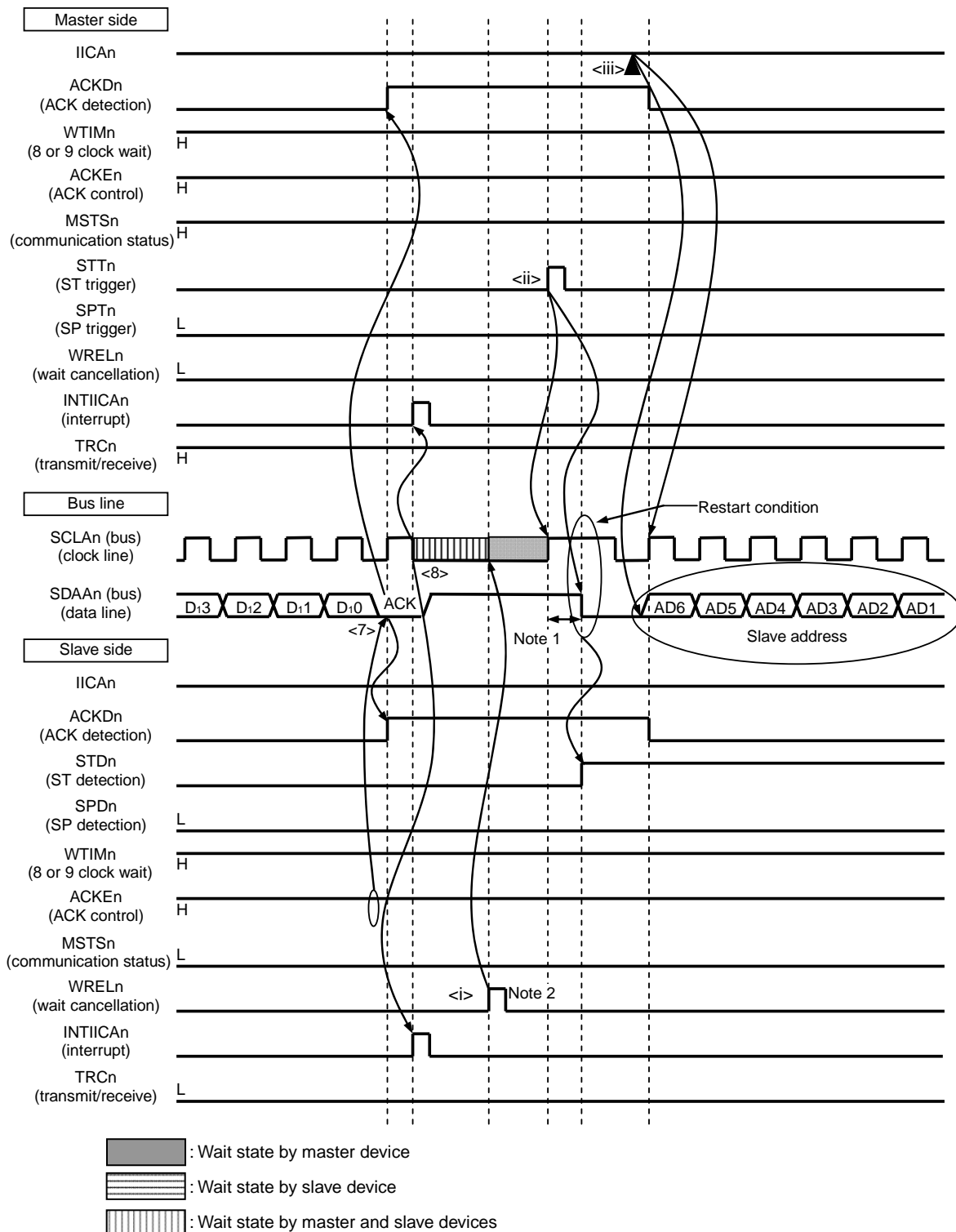
Remarks 1. <1> to <15> in Figure 19-33 represent the entire procedure for communicating data using the I²C bus.

Figure 19-33 (1) Start condition ~ address ~ data shows the processing from <1> to <6>, Figure 19-33 (2) Address ~ data ~ data shows the processing from <3> to <10>, and Figure 19-33 (3) Data ~ data ~ stop condition shows the processing from <7> to <15>.

- 2. n = 0

Figure 19-33. Example of Master to Slave Communication
(9-Clock Wait Is Selected for Master, 9-Clock Wait Is Selected for Slave) (4/4)

(4) Data ~ restart condition ~ address



- Notes**
1. Make sure that the time between the rise of the SCLAn pin signal and the generation of the start condition after a restart condition has been issued is at least 4.7 μ s when specifying standard mode and at least 0.6 μ s when specifying fast mode.
 2. For releasing wait state during reception of a slave device, write "FFH" to IICAn or set the WRELn bit.

Remark n = 0

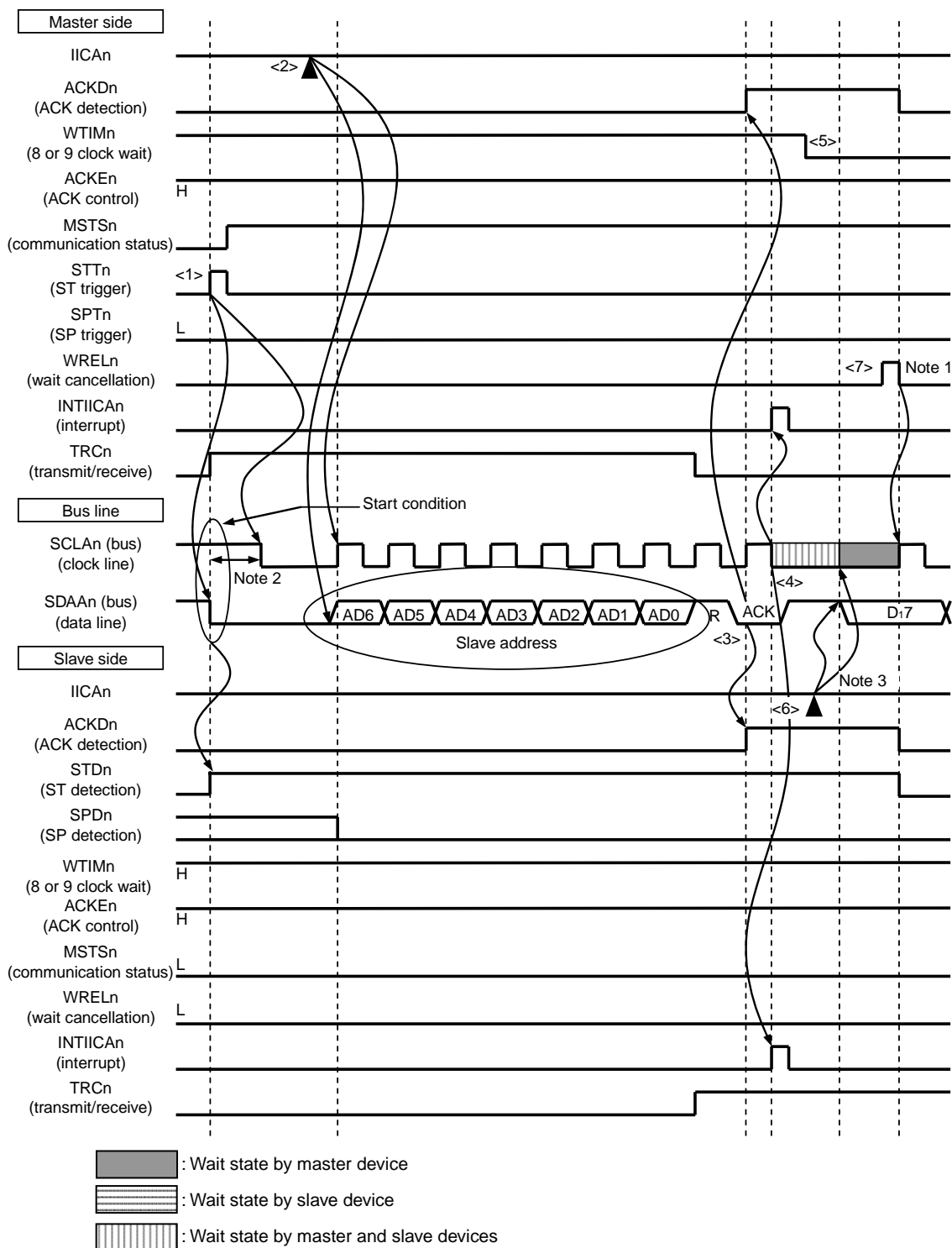
The following describes the operations in Figure 19-33 (4) Data ~ restart condition ~ address. After the operations in steps <7> and <8>, the operations in steps <i> to <iii> are performed. These steps return the processing to step <iii>, the data transmission step.

- <7> After data transfer is completed, because of $ACKEn = 1$, the slave device sends an ACK by hardware to the master device. The ACK is detected by the master device ($ACKDn = 1$) at the rising edge of the 9th clock.
- <8> The master device and slave device set a wait status ($SCLAn = 0$) at the falling edge of the 9th clock, and both the master device and slave device issue an interrupt ($INTIICAn$: end of transfer).
- <i> The slave device reads the received data and releases the wait status ($WRELn = 1$).
- <ii> The start condition trigger is set again by the master device ($STTn = 1$) and a start condition (i.e. $SCLAn = 1$ changes $SDAAn$ from 1 to 0) is generated once the bus clock line goes high ($SCLAn = 1$) and the bus data line goes low ($SDAAn = 0$) after the restart condition setup time has elapsed. When the start condition is subsequently detected, the master device is ready to communicate once the bus clock line goes low ($SCLAn = 0$) after the hold time has elapsed.
- <iii> The master device writing the address + R/W (transmission) to the IICA shift register ($IICAn$) enables the slave address to be transmitted.

Remark n = 0

Figure 19-34. Example of Slave to Master Communication
(8-Clock Wait Is Selected for Master, 9-Clock Wait Is Selected for Slave) (1/3)

(1) Start condition ~ address ~ data



- Notes**
- For releasing wait state during reception of a master device, write "FFH" to IICAn or set the WRELn bit.
 - Make sure that the time between the fall of the SDAAn pin signal and the fall of the SCLAn pin signal is at least 4.0 μ s when specifying standard mode and at least 0.6 μ s when specifying fast mode.
 - Write data to IICAn, not setting the WRELn bit, in order to cancel a wait state during transmission by a slave device.

Remark n = 0

The following is a description of the Figure 19-34 (1) Start condition ~ address ~ data <1> to <7>.

- <1> The start condition trigger is set by the master device ($STTn = 1$) and a start condition (i.e. $SCLAn = 1$ changes $SDAAn$ from 1 to 0) is generated once the bus data line goes low ($SDAAn$). When the start condition is subsequently detected, the master device enters the master device communication status ($MSTS_n = 1$). The master device is ready to communicate once the bus clock line goes low ($SCLAn = 0$) after the hold time has elapsed.
- <2> The master device writes the address + R (reception) to the IICA shift register n ($IICAn$) and transmits the slave address.
- <3> In the slave device if the address received matches the address (SVA_n value) of a slave device^{Note}, that slave device sends an ACK by hardware to the master device. The ACK is detected by the master device ($ACKDn = 1$) at the rising edge of the 9th clock.
- <4> The master device issues an interrupt ($INTIICAn$: end of address transmission) at the falling edge of the 9th clock. The slave device whose address matched the transmitted slave address sets a wait status ($SCLAn = 0$) and issues an interrupt ($INTIICAn$: address match)^{Note}.
- <5> The timing at which the master device sets the wait status changes to the 8th clock ($WTIMn = 0$).
- <6> The slave device writes the data to transmit to the $IICAn$ register and releases the wait status that it set by the slave device.
- <7> The master device releases the wait status ($WRELn = 1$) and starts transferring data from the slave device to the master device.

Note If the transmitted address does not match the address of the slave device, the slave device does not return an ACK to the master device ($NACK: SDAAn = 1$). The slave device also does not issue the $INTIICAn$ interrupt (address match) and does not set a wait status. The master device, however, issues the $INTIICAn$ interrupt (end of address transmission) regardless of whether it receives an ACK or NACK.

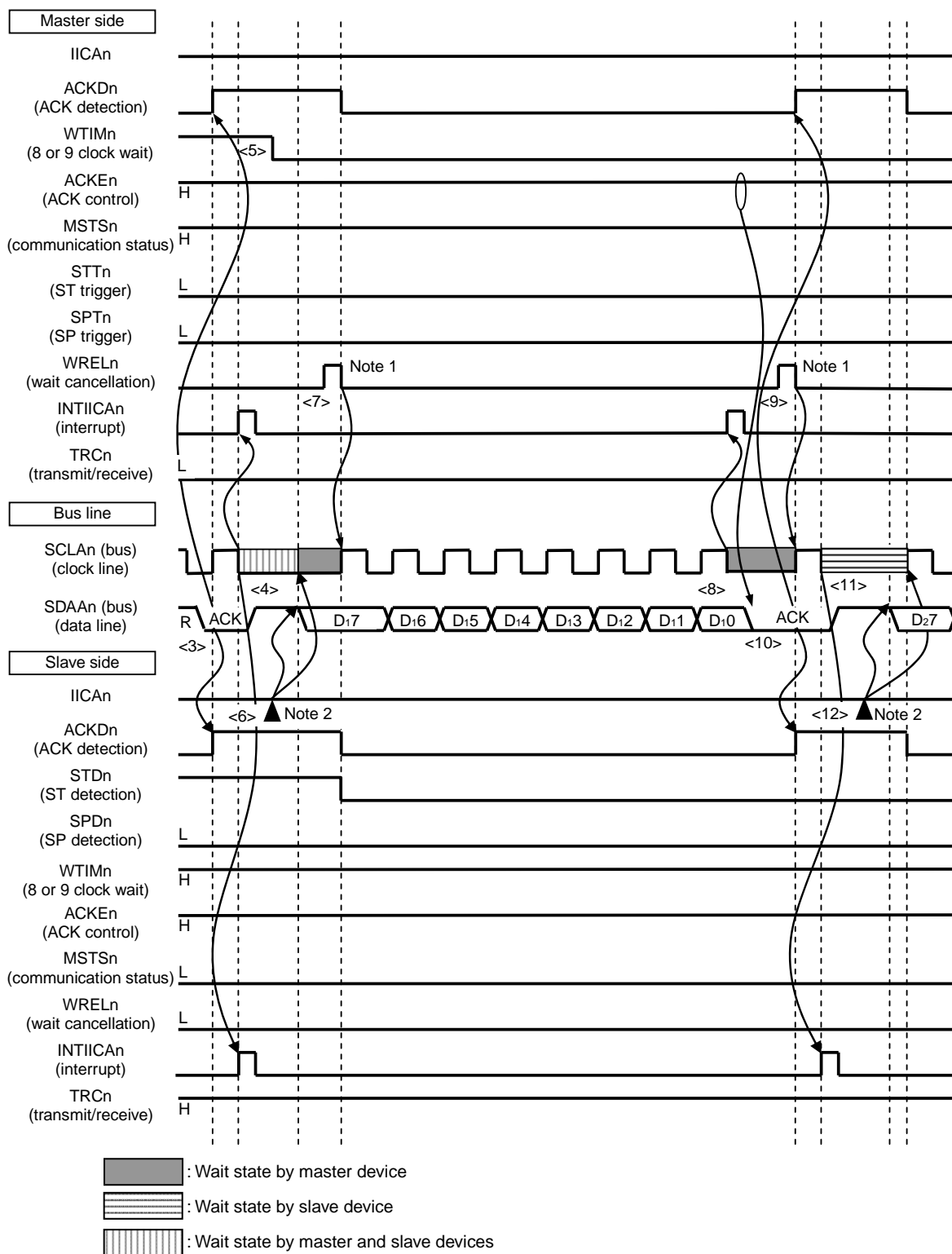
Remarks 1. <1> to <19> in Figure 19-34 represent the entire procedure for communicating data using the I²C bus.

Figure 19-34 (1) Start condition ~ address ~ data shows the processing from <1> to <7>, Figure 19-34 (2) Address ~ data ~ data shows the processing from <3> to <12>, and Figure 19-34 (3) Data ~ data ~ stop condition shows the processing from <8> to <19>.

- 2. $n = 0$

Figure 19-34. Example of Slave to Master Communication
(8-Clock Wait Is Selected for Master, 9-Clock Wait Is Selected for Slave) (2/3)

(2) Address ~ data ~ data



- Notes**
- For releasing wait state during reception of a master device, write "FFH" to IICAn or set the WRELn bit.
 - Write data to IICAn, not setting the WRELn bit, in order to cancel a wait state during transmission by a slave device.

Remark n = 0

The following is a description of the Figure 19-34 (2) Address ~ data ~ data <3> to <12>.

- <3> In the slave device if the address received matches the address (SVAn value) of a slave device^{Note}, that slave device sends an ACK by hardware to the master device. The ACK is detected by the master device (ACKDn = 1) at the rising edge of the 9th clock.
- <4> The master device issues an interrupt (INTIICAn: end of address transmission) at the falling edge of the 9th clock. The slave device whose address matched the transmitted slave address sets a wait status (SCLAn = 0) and issues an interrupt (INTIICAn: address match)^{Note}.
- <5> The master device changes the timing of the wait status to the 8th clock (WTIMn = 0).
- <6> The slave device writes the data to transmit to the IICA shift register n (IICAn) and releases the wait status that it set by the slave device.
- <7> The master device releases the wait status (WRELn = 1) and starts transferring data from the slave device to the master device.
- <8> The master device sets a wait status (SCLAn = 0) at the falling edge of the 8th clock, and issues an interrupt (INTIICAn: end of transfer). Because of ACKEn = 1 in the master device, the master device then sends an ACK by hardware to the slave device.
- <9> The master device reads the received data and releases the wait status (WRELn = 1).
- <10> The ACK is detected by the slave device (ACKDn = 1) at the rising edge of the 9th clock.
- <11> The slave device set a wait status (SCLAn = 0) at the falling edge of the 9th clock, and the slave device issue an interrupt (INTIICAn: end of transfer).
- <12> By the slave device writing the data to transmit to the IICAn register, the wait status set by the slave device is released. The slave device then starts transferring data to the master device.

Note If the transmitted address does not match the address of the slave device, the slave device does not return an ACK to the master device (NACK: SDAAn = 1). The slave device also does not issue the INTIICAn interrupt (address match) and does not set a wait status. The master device, however, issues the INTIICAn interrupt (end of address transmission) regardless of whether it receives an ACK or NACK.

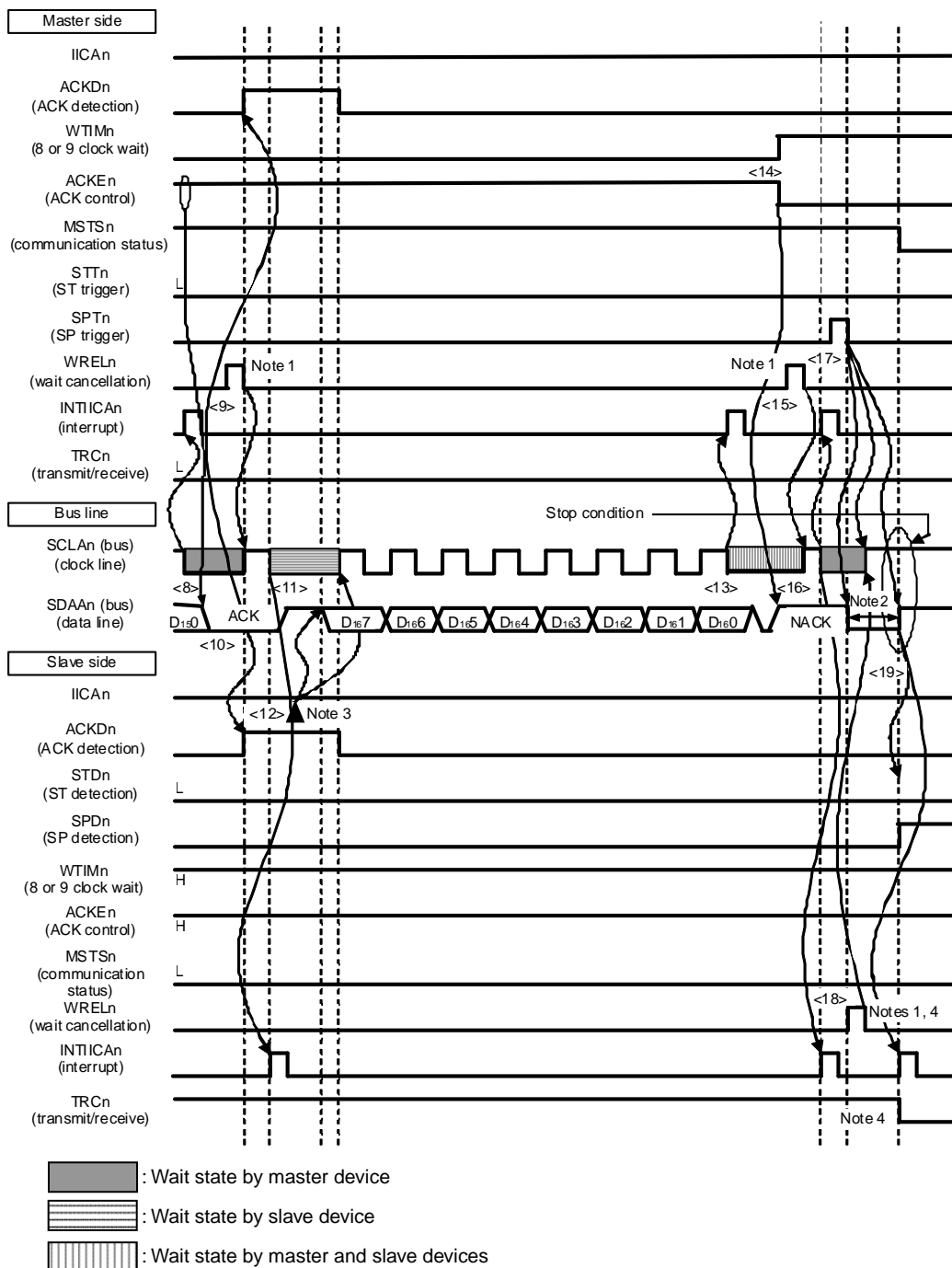
Remarks 1. <1> to <19> in Figure 19-34 represent the entire procedure for communicating data using the I²C bus.

Figure 19-34 (1) Start condition ~ address ~ data shows the processing from <1> to <7>, Figure 19-34 (2) Address ~ data ~ data shows the processing from <3> to <12>, and Figure 19-34 (3) Data ~ data ~ stop condition shows the processing from <8> to <19>.

2. n = 0

Figure 19-34. Example of Slave to Master Communication (8-Clock and 9-Clock Wait Is Selected for Master, 9-Clock Wait Is Selected for Slave) (3/3)

(3) Data ~ data ~ stop condition



- Notes**
- To cancel a wait state, write “FFH” to IICAn or set the WRELn bit.
 - Make sure that the time between the rise of the SCLAn pin signal and the generation of the stop condition after a stop condition has been issued is at least 4.0 μ s when specifying standard mode and at least 0.6 μ s when specifying fast mode.
 - Write data to IICAn, not setting the WRELn bit, in order to cancel a wait state during transmission by a slave device.
 - If a wait state during transmission by a slave device is canceled by setting the WRELn bit, the TRCn bit will be cleared.

Remark n = 0

The following is a description of the Figure 19-34 (3) Data ~ data ~ stop condition <8> to <19>.

- <8> The master device sets a wait status (SCLAn = 0) at the falling edge of the 8th clock, and issues an interrupt (INTIICAn: end of transfer). Because of ACKEn = 0 in the master device, the master device then sends an ACK by hardware to the slave device.
- <9> The master device reads the received data and releases the wait status (WRELn = 1).
- <10> The ACK is detected by the slave device (ACKDn = 1) at the rising edge of the 9th clock.
- <11> The slave device set a wait status (SCLAn = 0) at the falling edge of the 9th clock, and the slave device issue an interrupt (INTIICAn: end of transfer).
- <12> By the slave device writing the data to transmit to the IICA register, the wait status set by the slave device is released. The slave device then starts transferring data to the master device.
- <13> The master device issues an interrupt (INTIICAn: end of transfer) at the falling edge of the 8th clock, and sets a wait status (SCLAn = 0). Because ACK control (ACKEn = 1) is performed, the bus data line is at the low level (SDAAn = 0) at this stage.
- <14> The master device sets NACK as the response (ACKEn = 0) and changes the timing at which it sets the wait status to the 9th clock (WTIMn = 1).
- <15> If the master device releases the wait status (WRELn = 1), the slave device detects the NACK (ACK = 0) at the rising edge of the 9th clock.
- <16> The master device and slave device set a wait status (SCLAn = 0) at the falling edge of the 9th clock, and both the master device and slave device issue an interrupt (INTIICAn: end of transfer).
- <17> When the master device issues a stop condition (SPTn = 1), the bus data line is cleared (SDAAn = 0) and the master device releases the wait status. The master device then waits until the bus clock line is set (SCLAn = 1).
- <18> The slave device acknowledges the NACK, halts transmission, and releases the wait status (WRELn = 1) to end communication. Once the slave device releases the wait status, the bus clock line is set (SCLAn = 1).
- <19> Once the master device recognizes that the bus clock line is set (SCLAn = 1) and after the stop condition setup time has elapsed, the master device sets the bus data line (SDAAn = 1) and issues a stop condition (i.e. SCLAn =1 changes SDAAn from 0 to 1). The slave device detects the generated stop condition and slave device issue an interrupt (INTIICAn: stop condition).

Remarks 1. <1> to <19> in Figure 19-34 represent the entire procedure for communicating data using the I²C bus. Figure 19-34 (1) Start condition ~ address ~ data shows the processing from <1> to <7>, Figure 19-34 (2) Address ~ data ~ data shows the processing from <3> to <12>, and Figure 19-34 (3) Data ~ data ~ stop condition shows the processing from <8> to <19>.

2. n = 0

CHAPTER 20 IrDA

The IrDA sends and receives IrDA data communication waveforms in cooperation with the Serial Array Unit (SAU) based on the IrDA (Infrared Data Association) standard 1.0.

20.1 Functions of IrDA

Enabling the IrDA function by using the IRE bit in the IRCR register allows encoding and decoding the TxD2 and RxD2 signals of the SAU to the waveforms conforming to the IrDA standard 1.0 (IrTxD and IrRxD pins). Connecting these waveforms to an infrared transmitter/receiver implements infrared data communication conforming to the IrDA standard 1.0 system.

With the IrDA standard 1.0 system, data transfer can be started at 9600 bps and the transfer rate can be changed whenever necessary. Since the IrDA cannot change the transfer rate automatically, the transfer rate should be changed through software.

When the high-speed on-chip oscillator ($f_{IH} = 24/12/6/3$ MHz) is selected, the following baud rates can be selected:

- 115.2 kbps/57.6 kbps/38.4 kbps/19.2 kbps/9600 bps/2400 bps

Figures 20-1 is a block diagram showing cooperation between IrDA and SAU.

Figure 20-1. Block Diagram Showing Cooperation Between IrDA and SAU

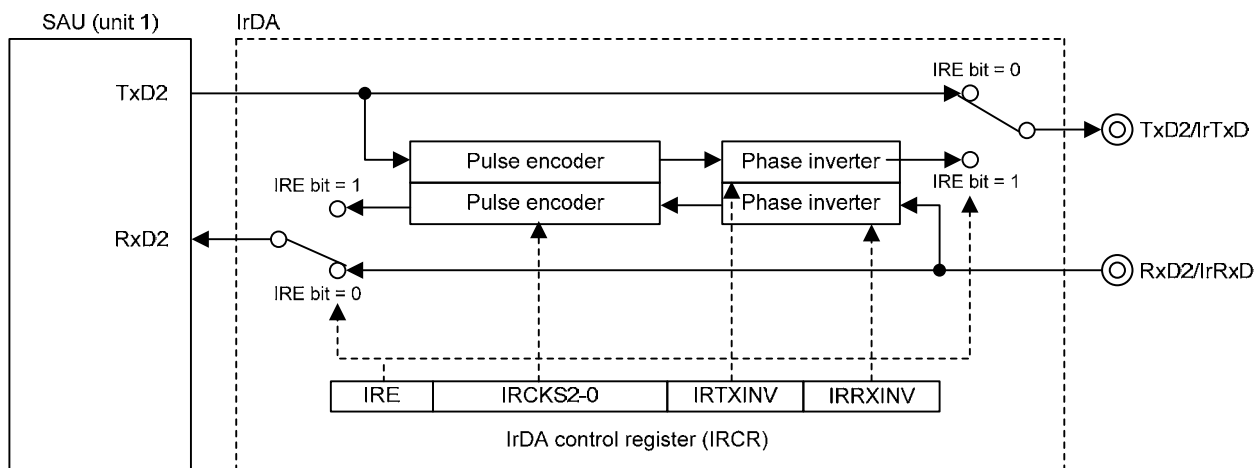


Table 20-1. IrDA Pin Configuration

Pin Name	I/O	Function
IrTxD	Output	Outputs data to be transmitted.
IrRxD	Input	Inputs received data.

20.2 Registers

Table 20-2 lists the IrDA register configuration.

Table 20-2. IrDA Register Configuration

Item	Configuration
Control registers	Peripheral enable register 0 (PER0)
	Peripheral reset control register 0 (PRR0)
	IrDA control register (IRCR)

20.2.1 Peripheral enable register 0 (PER0)

This register is used to enable or disable supplying the clock to the peripheral hardware. Clock supply to a hardware macro that is not used is stopped in order to reduce the power consumption and noise.

When the IrDA is used, be sure to set bit 6 (IRDAEN) of this register to 1.

The PER0 register can be set by a 1-bit or 8-bit memory manipulation instruction.

Reset signal generation clears this register to 00H.

Figure 20-2. Format of Peripheral Enable Register 0 (PER0)

Address: F00F0H After reset: 00H R/W

Symbol	7	<6>	<5>	<4>	<3>	<2>	1	<0>
PER0	0	IRDAEN	ADCEN	IICA0EN	SAU1EN	SAU0EN	0	TAU0EN

IRDAEN	Control of IrDA input clock supply
0	Stops input clock supply. <ul style="list-style-type: none"> SFR used by IrDA cannot be written. The read value is 00H. However, the SFR is not initialized. ^{Note}
1	Enables input clock supply. <ul style="list-style-type: none"> SFR used by IrDA can be read and written.

Note To initialize the IrDA and the SFR used by the IrDA, use bit 6 (IRDARES) of PRR0.

Cautions 1. When setting the IrDA, be sure to set the IRDAEN bit to 1 first.

If IRDAEN = 0, writing to a control register of the IrDA is ignored, and read value of the register is all the initial value.

2. Be sure to clear bits 7 and 1 to “0”.

20.2.2 Peripheral reset control register 0 (PRR0)

The PRR0 register is used to control resetting of the on-chip peripheral modules.

Each bit in this register controls resetting and release of the reset state of the corresponding on-chip peripheral module.

To reset the IrDA, be sure to set bit 6 (IRDARES) to 1.

The PRR0 register can be set by a 1-bit or an 8-bit memory manipulation instruction.

Reset signal generation clears the PRR0 register to 00H.

Figure 20-3. Format of Peripheral Reset Control Register 0 (PRR0)

Address: F00F1H After reset: 00H R/W

Symbol	7	<6>	<5>	<4>	<3>	<2>	1	<0>
PRR0	0	IRDARES	ADCRES	IICA0RES	SAU1RES	SAU0RES	0	TAU0RES

IRDARES	Control resetting of the IrDA
0	Releases the IrDA from the reset state.
1	The IrDA is in the reset state.

20.2.3 IrDA control register (IRCR)

The IRCR register is used to control the IrDA function. This register is used to switch the polarity of receive data and transmit data, select the IrDA clock, and select the serial I/O pin function (normal serial function or IrDA function).

The IRCR register can be set by a 1-bit or 8-bit memory manipulation instruction.

Reset signal generation clears this register to 00H.

Figure 20-4. Format of IrDA Control Register (IRCR)

Address: F03A0H After reset: 00H R/W

Symbol	<7>	6	5	4	<3>	<2>	1	0
IRCR	IRE	IRCKS2	IRCKS1	IRCKS0	IRTXINV	IRRXINV	0	0

IRE	IrDA enable
0	Serial I/O pins are used for normal serial communication.
1	Serial I/O pins are used for IrDA data communication.

IRCKS2	IRCKS1	IRCKS0	IrDA clock selection
0	0	0	$B \times 3/16$ (B = bit rate)
0	0	1	$f_{CLK}/2$
0	1	0	$f_{CLK}/4$
0	1	1	$f_{CLK}/8$
1	0	0	$f_{CLK}/16$
1	0	1	$f_{CLK}/32$
1	1	0	$f_{CLK}/64$
1	1	1	Setting prohibited

IRTXINV	IrTxD data polarity switching
0	Data to be transmitted is output to IrTxD as is.
1	Data to be transmitted is output to IrTxD after the polarity is inverted.

IRRXINV	IrRxD data polarity switching
0	IrRxD input is used as received data as is.
1	IrRxD input is used as received data after the polarity is inverted.

Cautions 1. Be sure to clear bits 1 and 0 to "0".

2. IRCKS[2:0], IRTXINV, and IRRXINV can be set only when IRE bit is 0.

20.3 Operation

20.3.1 IrDA communication operation procedure

- (1) IrDA Communication Initial configuration flow
Perform IrDA initial configuration as follows:

- <1> Set PER0 register bit IRDAEN to 1.
- <2> Set the IRCR register.
- <3> Set the SAU related registers (refer to the UART mode configuration procedure).

- (2) IrDA communication termination flow

- <1> Configure the port register and port mode register to set the status of the IrTXD pin after stopping IrDA communication.

Remark The output status may change because the IrTXD pin changes to normal serial interface UART data output when IrDA is reset in step 3.

- To output low level from IrTXD pin
Set port register to 0. Immediately after this, the IrTXD pin is fixed at low level.
- To output high level from IrTXD pin
Set port register to 1. This will fix IrTXD pin at high level immediately after IrDA reset in step 3.
- To set IrTXD pin to Hi-Z status
Set port mode register to 1. Immediately after this, IrTXD pin is set to Hi-Z.

- <2> Set STm register (SAU related register) bits STm0 and STm1 to 1 (stop SAU channels 0 and 1).

- <3> Set PER0 register bit IRDAEN to 0 and reset IrDA.

Do not set STm register bits STm0 and STm1 to 1 or IrDA bit IRE to 0 with any procedure other than the above.

- (3) Procedure when IrDA framing error occurs

If a framing error occurs during IrDA communication, the following procedure is necessary to enable receiving of subsequent data.

- <1> Set SAU STm register bit STm1 to 1 (stop SAU CH1 operation)
- <2> Set SAU SSm register bit SSm1 to 1 (start SAU CH1 operation)

Remark m: Unit number (m = 0, 1)

Also refer to the chapter on SAU for information on SAU framing error processing.

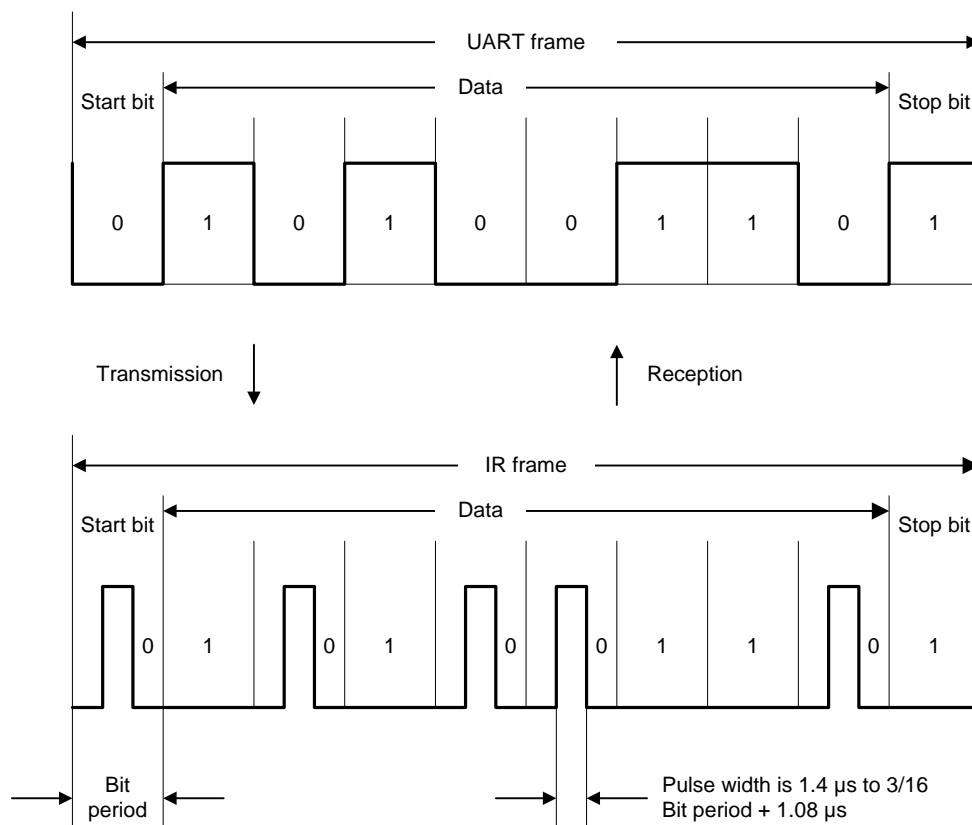
20.3.2 Transmission

In transmission, the signals output from the SAU (UART frames) are converted to the IR frame data through the IrDA (see **Figure 20-5**). When IRTXINV bit is 0 and serial data is 0, high-level pulses with the width of 3/16 the bit rate (1-bit width period) are output (initial setting). The high-level pulse width can be changed by using the IRCKS2 to IRCKS0 bits. The standard prescribes that the minimum high-level pulse width should be 1.41 μs and the maximum high-level pulse width be $(3/16 + 2.5\%) \times \text{bit rate}$ or $(3/16 \times \text{bit rate}) + 1.08 \mu\text{s}$.

When the CPU/peripheral hardware clock (f_{CLK}) is 20 MHz, the high-level pulse width can be 1.41 μs to 1.6 μs .

When serial data is 1, no pulses are output.

Figure 20-5. IrDA Transmission/Reception



20.3.3 Reception

In reception, the IR frame data is converted to the UART frame data through the IrDA and is input to the SAU.

Low-level data is output when the IRRXINV bit is 0 and a high-level pulse is detected, and high-level data is output when no pulse is detected for 1-bit period. Note that a pulse shorter than 1.41 μs , which is the minimum pulse width, is identified as a low signal.

20.3.4 Selecting high-level pulse width

When the pulse width should be shorter than the bit rate \times 3/16 for transmission, applicable IRCKS2 to IRCKS0 bit settings (minimum pulse width) and the corresponding high-level pulse widths shown in Table 20-4 can be used.

Table 20-4. IRCKS2 to IRCKS0 Bit Settings

f _{CLK} [MHz]	Item	<Upper Row> Bit Rate [kbps]					
		<Lower Row> Bit Rate \times 3/16 [μs]					
		2.4	9.6	19.2	38.4	57.6	115.2
		78.13	19.53	9.77	4.87	3.26	1.63
1	IRCKS2 to IRCKS0	001	001	001	_ Note 1	_ Note 1	_ Note 1
	High-level pulse width [μs]	2.00	2.00	2.00	_ Note 1	_ Note 1	_ Note 1
2	IRCKS2 to IRCKS0	010	010	010	010	010	_ Note 1
	High-level pulse width [μs]	2.00	2.00	2.00	2.00	2.00	_ Note 1
3	IRCKS2 to IRCKS0	011	011	011	011	011	_ Note 1
	High-level pulse width [μs]	2.67	2.67	2.67	2.67	2.67	_ Note 1
4	IRCKS2 to IRCKS0	011	011	011	011	011	000 ^{Note 2}
	High-level pulse width [μs]	2.00	2.00	2.00	2.00	2.00	1.50
6	IRCKS2 to IRCKS0	100	100	100	100	100	000 ^{Note 2}
	High-level pulse width [μs]	2.67	2.67	2.67	2.67	2.67	1.50
8	IRCKS2 to IRCKS0	100	100	100	100	100	000 ^{Note 2}
	High-level pulse width [μs]	2.00	2.00	2.00	2.00	2.00	1.50
12	IRCKS2 to IRCKS0	101	101	101	101	101	000 ^{Note 2}
	High-level pulse width [μs]	2.67	2.67	2.67	2.67	2.67	1.50
16	IRCKS2 to IRCKS0	101	101	101	101	101	000 ^{Note 2}
	High-level pulse width [μs]	2.00	2.00	2.00	2.00	2.00	1.50
24	IRCKS2 to IRCKS0	110	110	110	110	110	000 ^{Note 2}
	High-level pulse width [μs]	2.67	2.67	2.67	2.67	2.67	1.50
32	IRCKS2 to IRCKS0	110	110	110	110	110	000 ^{Note 2}
	High-level pulse width [μs]	2.00	2.00	2.00	2.00	2.00	1.50

Notes 1. “-” indicates that the communication specification cannot be satisfied.

2. The pulse width cannot be shorter than the bit rate \times 3/16.

20.4 Usage Notes on IrDA

- (1) The IrDA function cannot be used to transition to SNOOZE via IrRxD reception.
- (2) The input of IrDA operating clock can be disabled/enabled with the peripheral enable register. Initially, register access is disabled because clock input is disabled. Enable IrDA operating clock input with the peripheral enable register before setting the register.
- (3) During HALT mode, the IrDA function continues to run.
- (4) The use of SAU initialization function (SS bit= 1) is prohibited during IrDA communication.
- (5) The IRCR register bits IRRXINV, IRTXINV, and IRCKS[2:0] can be set only when IRE bit is 0.

CHAPTER 21 LCD CONTROLLER/DRIVER

The number of LCD display function pins of the RL78/I1C differs depending on the product. The following table shows the number of pins of each product.

Table 21-1. Number of LCD Display Function Pins of Each Product

Item	RL78/I1C																															
	64 pins (R5F10NLx (x = G, E))								80 pins (R5F10NMx (x = J, G, E))								100 pins (R5F10NPx (x = J, G))															
LCD controller/driver	Segment signal outputs: 19 (15) ^{Note} Common signal outputs: 8								Segment signal outputs: 34 (30) ^{Note} Common signal outputs: 8								Segment signal outputs: 42 (38) ^{Note} Common signal outputs: 8															
Multiplexed I/O port	bit 7	bit 6	bit 5	bit 4	bit 3	bit 2	bit 1	bit 0	bit 7	bit 6	bit 5	bit 4	bit 3	bit 2	bit 1	bit 0	bit 7	bit 6	bit 5	bit 4	bit 3	bit 2	bit 1	bit 0	bit 7	bit 6	bit 5	bit 4	bit 3	bit 2	bit 1	bit 0
Segment	P0	-	-	-	-	-	-	-	SEG	SEG	SEG	SEG	SEG	SEG	-	-	-	-	-	-	-	-	-	-	-	-	-	-	-	-	-	-
									37	36	35	34	33	32																		
	P1	SEG	SEG	SEG	SEG	SEG	SEG	SEG	SEG	SEG	SEG	SEG	SEG	SEG	SEG	SEG	SEG	SEG	SEG	SEG	SEG	SEG	SEG	SEG	SEG	SEG	SEG	SEG	SEG	SEG	SEG	SEG
		11	10	9	8	7	6	5	4	11	10	9	8	7	6	5	4	11	10	9	8	7	6	5	4	11	10	9	8	7	6	5
	P3	-	-	-	-	-	-	SEG	SEG	-	-	-	-	SEG	SEG	SEG	SEG	SEG	SEG	SEG	SEG	SEG	SEG	SEG	SEG	SEG	SEG	SEG	SEG	SEG	SEG	SEG
								25	24					27	26	25	24	31	30	29	28	27	26	25	24	31	30	29	28	27	26	25
P5	-	-	-	-	-	-	-	-	-	-	-	-	-	-	-	SEG	SEG	SEG	SEG	SEG	SEG	SEG	SEG	SEG	SEG	SEG	SEG	SEG	SEG	SEG	SEG	
																39	38	37	36	35	34	33	32									
P7	-	-	-	SEG	SEG	SEG	SEG	SEG	SEG	SEG	SEG	SEG	SEG	SEG	SEG	SEG	SEG	SEG	SEG	SEG	SEG	SEG	SEG	SEG	SEG	SEG	SEG	SEG	SEG	SEG	SEG	
				20	19	18	17	16	23	22	21	20	19	18	17	16	23	22	21	20	19	18	17	16	23	22	21	20	19	18	17	
P8	-	-	-	-	-	-	-	-	-	-	-	-	SEG	SEG	SEG	SEG	-	-	SEG	SEG	SEG	SEG	SEG	SEG	SEG	SEG	SEG	SEG	SEG	SEG	SEG	
													15	14	13	12			41	40	15	14	13	12								
Alternate relationship between COM signal output pins and I/O pots	-																															
Alternate relationship between COM signal output pins and LCD display function pins	COM 4	SEG0								SEG0								SEG0														
	COM 5	SEG1								SEG1								SEG1														
	COM 6	SEG2								SEG2								SEG2														
	COM 7	SEG3								SEG3								SEG3														

Note () indicates the number of signal output pins when 8 com is used.

21.1 Functions of LCD Controller/Driver

The functions of the LCD controller/driver in the RL78/I1C microcontrollers are as follows.

- (1) Waveform A or B selectable
- (2) The LCD driver voltage generator can switch internal voltage boosting method, capacitor split method, and external resistance division method.
- (3) Automatic output of segment and common signals based on automatic display data register read
- (4) The reference voltage to be generated when operating the voltage boost circuit can be selected from 16 steps (contrast adjustment).
- (5) LCD blinking is available

Table 21-2 lists the maximum number of pixels that can be displayed in each display mode.

Table 21-2. Maximum Number of Pixels (1/3)

(a) 64-pin products

Drive Waveform for LCD Driver	LCD Driver Voltage Generator	Bias Mode	Number of Time Slices	Maximum Number of Pixels
Waveform A	External resistance division	–	Static	19 (19 segment signals, 1 common signal)
		1/2	2	38 (19 segment signals, 2 common signals)
			3	57 (19 segment signals, 3 common signals)
			4	76 (19 segment signals, 4 common signals)
		1/3	3	102 (17 segment signals, 6 common signals)
			4	120 (15 segment signals, 8 common signals)
			6	
			8	
		1/4	8	
		Internal voltage boosting	1/3	3
	4			76 (19 segment signals, 4 common signals)
	6			102 (17 segment signals, 6 common signals)
	8			120 (15 segment signals, 8 common signals)
	1/4		6	102 (17 segment signals, 6 common signals)
			8	120 (15 segment signals, 8 common signals)
	Capacitor split	1/3	3	57 (19 segment signals, 3 common signals)
			4	76 (19 segment signals, 4 common signals)
			6	102 (17 segment signals, 6 common signals)
8			120 (15 segment signals, 8 common signals)	
Waveform B	External resistance division, internal voltage boosting	1/3	3	57 (19 segment signals, 3 common signals)
			4	76 (19 segment signals, 4 common signals)
			6	102 (17 segment signals, 6 common signals)
			8	120 (15 segment signals, 8 common signals)
		1/4	8	
	Capacitor split	1/3	3	57 (19 segment signals, 3 common signals)
			4	76 (19 segment signals, 4 common signals)
			6	102 (17 segment signals, 6 common signals)
			8	120 (15 segment signals, 8 common signals)

Table 21-2. Maximum Number of Pixels (2/3)

(b) 80-pin products

Drive Waveform for LCD Driver	LCD Driver Voltage Generator	Bias Mode	Number of Time Slices	Maximum Number of Pixels		
Waveform A	External resistance division	–	Static	34 (34 segment signals, 1 common signal)		
			1/2	2	68 (34 segment signals, 2 common signals)	
				3	102 (34 segment signals, 3 common signals)	
		1/3	3	136 (34 segment signals, 4 common signals)		
			4	192 (32 segment signals, 6 common signals)		
			6	240 (30 segment signals, 8 common signals)		
			8	240 (30 segment signals, 8 common signals)		
		1/4	8	102 (34 segment signals, 3 common signals)		
			Internal voltage boosting	1/3	3	136 (34 segment signals, 4 common signals)
	4				192 (32 segment signals, 6 common signals)	
	6				240 (30 segment signals, 8 common signals)	
	8				240 (30 segment signals, 8 common signals)	
	1/4		6	192 (32 segment signals, 6 common signals)		
		8	240 (30 segment signals, 8 common signals)			
	Capacitor split	1/3	3	102 (34 segment signals, 3 common signals)		
			4	136 (34 segment signals, 4 common signals)		
			6	192 (32 segment signals, 6 common signals)		
			8	240 (30 segment signals, 8 common signals)		
Waveform B			External resistance division, internal voltage boosting	1/3	3	102 (34 segment signals, 3 common signals)
					4	136 (34 segment signals, 4 common signals)
					6	192 (32 segment signals, 6 common signals)
8	240 (30 segment signals, 8 common signals)					
1/4	8	102 (34 segment signals, 3 common signals)				
	Capacitor split	1/3		3	136 (34 segment signals, 4 common signals)	
				4	192 (32 segment signals, 6 common signals)	
6			240 (30 segment signals, 8 common signals)			
8			240 (30 segment signals, 8 common signals)			

Table 21-2. Maximum Number of Pixels (3/3)

(c) 100-pin products

Drive Waveform for LCD Driver	LCD Driver Voltage Generator	Bias Mode	Number of Time Slices	Maximum Number of Pixels		
Waveform A	External resistance division	–	Static	42 (42 segment signals, 1 common signal)		
		1/2	2	84 (42 segment signals, 2 common signals)		
			3	126 (42 segment signals, 3 common signals)		
			4	168 (42 segment signals, 4 common signals)		
		1/3	6	240 (40 segment signals, 6 common signals)		
			8	304 (38 segment signals, 8 common signals)		
			1/4	8		
		Internal voltage boosting	1/3	3	126 (42 segment signals, 3 common signals)	
				4	168 (42 segment signals, 4 common signals)	
	6			240 (40 segment signals, 6 common signals)		
	8			304 (38 segment signals, 8 common signals)		
	1/4		6	240 (40 segment signals, 6 common signals)		
			8	304 (38 segment signals, 8 common signals)		
	Capacitor split	1/3	3	126 (42 segment signals, 3 common signals)		
			4	168 (42 segment signals, 4 common signals)		
			6	240 (40 segment signals, 6 common signals)		
			8	304 (38 segment signals, 8 common signals)		
	Waveform B	External resistance division, internal voltage boosting	1/3	3	126 (42 segment signals, 3 common signals)	
				4	168 (42 segment signals, 4 common signals)	
6				240 (40 segment signals, 6 common signals)		
8				304 (38 segment signals, 8 common signals)		
1/4			8			
			Capacitor split	1/3	3	126 (42 segment signals, 3 common signals)
					4	168 (42 segment signals, 4 common signals)
6		240 (40 segment signals, 6 common signals)				
8		304 (38 segment signals, 8 common signals)				

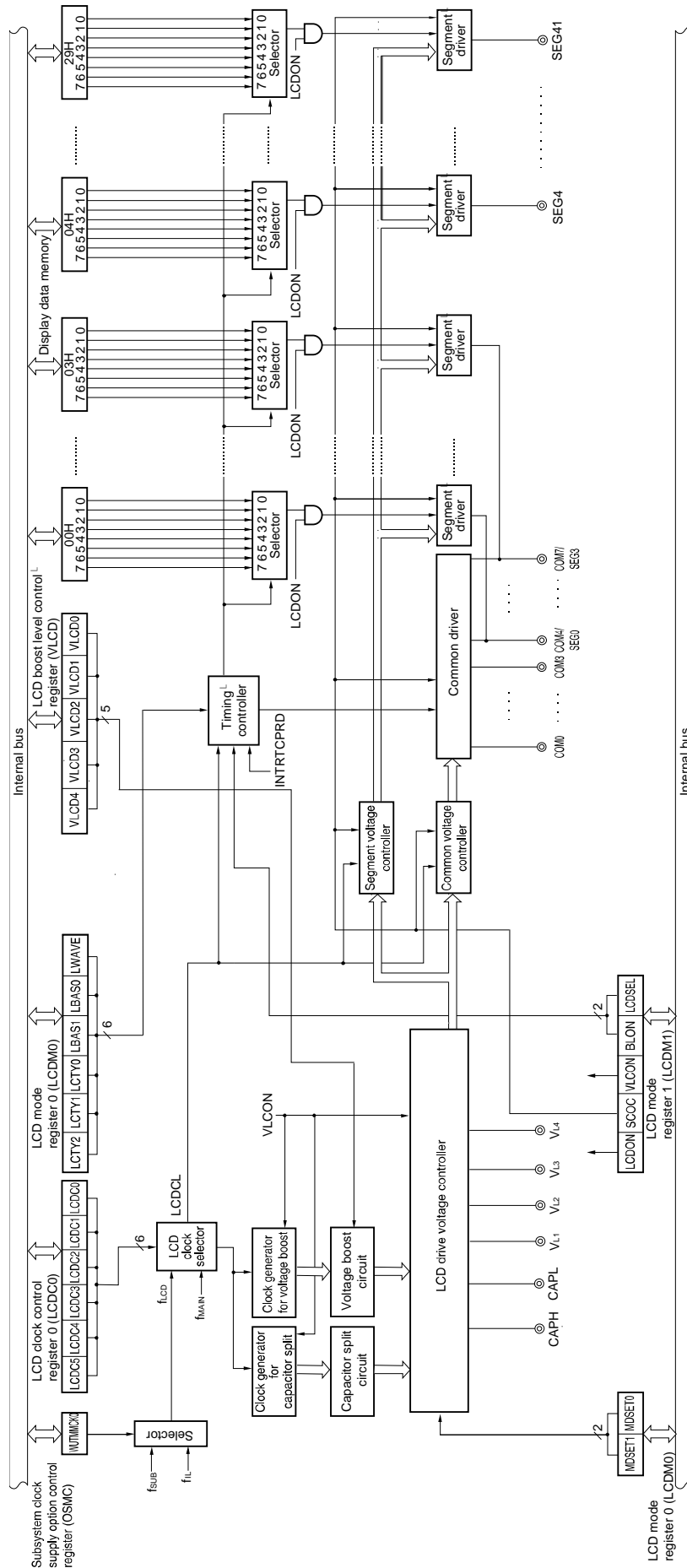
21.2 Configuration of LCD Controller/Driver

The LCD controller/driver consists of the following hardware.

Table 21-3. Configuration of LCD Controller/Driver

Item	Configuration
Control registers	LCD mode register 0 (LCDM0) LCD mode register 1 (LCDM1) Subsystem clock supply option control register (OSMC) LCD clock control register 0 (LCDC0) LCD boost level control register (VLCD) LCD input switch control register (ISCLCD) LCD port function registers 0 to 5 (PFSEG0 to PFSEG5) Port mode registers 0, 1, 3, 5, 7, 8 (PM0, PM1, PM3, PM5, PM7, PM8)

<R> Figure 21-1. Block Diagram of LCD Controller/Driver



21.3 Registers Controlling LCD Controller/Driver

The following ten registers are used to control the LCD controller/driver.

- LCD mode register 0 (LCDM0)
- LCD mode register 1 (LCDM1)
- Subsystem clock supply option control register (OSMC)
- LCD clock control register 0 (LCDC0)
- LCD boost level control register (VLCD)
- LCD input switch control register (ISCLCD)
- LCD port function registers 0 to 5 (PFSEG0 to PFSEG5)
- Port mode registers 0, 1, 3, 5, 7, 8 (PM0, PM1, PM3, PM5, PM7, PM8)

21.3.1 LCD mode register 0 (LCDM0)

LCDM0 specifies the LCD operation.

This register is set by using an 8-bit memory manipulation instruction.

Reset signal generation sets LCDM0 to 00H.

Figure 21-2. Format of LCD Mode Register 0 (LCDM0) (1/2)

Address: FFF40H After reset: 00H R/W

Symbol	7	6	5	4	3	2	1	0
LCDM0	MDSET1	MDSET0	LWAVE	LDTY2	LDTY1	LDTY0	LBAS1	LBAS0

MDSET1	MDSET0	LCD drive voltage generator selection
0	0	External resistance division method
0	1	Internal voltage boosting method
1	0	Capacitor split method
1	1	Setting prohibited

LWAVE	LCD display waveform selection
0	Waveform A
1	Waveform B

LDTY2	LDTY1	LDTY0	Selection of time slice of LCD display
0	0	0	Static
0	0	1	2-time slice
0	1	0	3-time slice
0	1	1	4-time slice
1	0	0	6-time slice
1	0	1	8-time slice
Other than above			Setting prohibited

Figure 21-2. Format of LCD Mode Register 0 (LCDM0) (2/2)

Address: FFF40H After reset: 00H R/W

Symbol	7	6	5	4	3	2	1	0
LCDM0	MDSET1	MDSET0	LWAVE	LDTY2	LDTY1	LDTY0	LBAS1	LBAS0

LBAS1	LBAS0	LCD display bias mode selection
0	0	1/2 bias method
0	1	1/3 bias method
1	0	1/4 bias method
1	1	Setting prohibited

- Cautions**
1. Do not rewrite the LCDM0 value while the SCOC bit of the LCDM1 register = 1.
 2. When "Static" is selected (LDTY2 to LDTY0 bits = 000B), be sure to set the LBAS1 and LBAS0 bits to the default value (00B). Otherwise, the operation will not be guaranteed.
 3. Only the combinations of display waveform, number of time slices, and bias method shown in Table 21-4 are supported.
Combinations of settings not shown in Table 21-4 are prohibited.

Table 21-4. Combinations of Display Waveform, Time Slices, Bias Method, and Frame Frequency

Display Mode			Set Value						Driving Voltage Generation Method		
Display Waveform	Number of Time Slices	Bias Mode	LWAVE	LDTY2	LDTY1	LDTY0	LBAS1	LBAS0	External Resistance Division	Internal Voltage Boosting	Capacitor Split
Waveform A	8	1/4	0	1	0	1	1	0	○ (24 to 128 Hz)	○ (24 to 64 Hz)	×
Waveform A	6	1/4	0	1	0	0	1	0	×	○ (32 to 86 Hz)	×
Waveform A	8	1/3	0	1	0	1	0	1	○ (32 to 128 Hz)	○ (32 to 64 Hz)	○ (32 to 128 Hz)
Waveform A	6	1/3	0	1	0	0	0	1	○ (32 to 128 Hz)	○ (32 to 86 Hz)	○ (32 to 128 Hz)
Waveform A	4	1/3	0	0	1	1	0	1	○ (24 to 128 Hz)	○ (24 to 128 Hz)	○ (24 to 128 Hz)
Waveform A	3	1/3	0	0	1	0	0	1	○ (32 to 128 Hz)	○ (32 to 128 Hz)	○ (32 to 128 Hz)
Waveform A	3	1/2	0	0	1	0	0	0	○ (32 to 128 Hz)	×	×
Waveform A	2	1/2	0	0	0	1	0	0	○ (24 to 128 Hz)	×	×
Waveform A	Static		0	0	0	0	0	0	○ (24 to 128 Hz)	×	×
Waveform B	8	1/4	1	1	0	1	1	0	○ (24 to 128 Hz)	○ (24 to 64 Hz)	×
Waveform B	8	1/3	1	1	0	1	0	1	○ (32 to 128 Hz)	○ (32 to 64 Hz)	○ (32 to 128 Hz)
Waveform B	6	1/3	1	1	0	0	0	1	○ (32 to 128 Hz)	○ (32 to 86 Hz)	○ (32 to 128 Hz)
Waveform B	4	1/3	1	0	1	1	0	1	○ (24 to 128 Hz)	○ (24 to 128 Hz)	○ (24 to 128 Hz)
Waveform B	3	1/3	1	0	1	0	0	1	○ (32 to 128 Hz)	○ (32 to 128 Hz)	○ (32 to 128 Hz)

Remark ○: Supported

×: Not supported

21.3.2 LCD mode register 1 (LCDM1)

LCDM1 enables or disables display operation, voltage boost circuit operation, and capacitor split circuit operation, and specifies the display data area and the low voltage mode.

LCDM1 is set using a 1-bit or 8-bit memory manipulation instruction.

Reset signal generation sets LCDM1 to 00H.

Figure 21-3. Format of LCD Mode Register 1 (LCDM1) (1/2)

Address: FFF41H After reset: 00H R/W

Symbol	<7>	<6>	<5>	<4>	<3>	2	1	<0>
LCDM1	LCDON	SCOC	VLCON	BLON	LCDSEL	0	0	LCDVLM

SCOC	LCDON	LCD display enable/disable
When normal liquid crystal waveform (waveform A or B) is output		
0	0	Output ground level to segment/common pin
0	1	
1	0	Display off (all segment outputs are deselected.)
1	1	Display on

VLCON ^{Note 1}	Voltage boost circuit or capacitor split circuit operation enable/disable
0	Stops voltage boost circuit or capacitor split circuit operation
1	Enables voltage boost circuit or capacitor split circuit operation

BLON ^{Note 2}	LCDSEL	Display data area control
0	0	Displaying an A-pattern area data (lower four bits of LCD display data register)
0	1	Displaying a B-pattern area data (higher four bits of LCD display data register)
1	0	Alternately displaying A-pattern and B-pattern area data (blinking display corresponding to the fixed-cycle interrupt (INTRTCPRD) timing of the independent power supply RTC)
1	1	

<R>

Notes 1. Cannot be set during external resistance division mode.

2. When f_{IL} is selected as the LCD source clock (f_{LC}), be sure to set the BLON bit to "0".

(Cautions are listed on the next page.)

Figure 21-3. Format of LCD Mode Register 1 (LCDM1) (2/2)

Address: FFF41H After reset: 00H R/W

Symbol	<7>	<6>	<5>	<4>	<3>	2	1	<0>
LCDM1	LCDON	SCOC	VLCON	BLON	LCDSEL	0	0	LCDVLM

LCDVLM ^{Note}	Control of default value of voltage boosting pin
0	Set when $V_{DD} \geq 2.7$ V
1	Set when $V_{DD} \leq 4.2$ V

Note A function to set the initial state of the V_{Lx} pin and efficiently boost voltage when using a voltage boosting circuit. Set LCDVLM bit = 0 when V_{DD} at the start of voltage boosting is 2.7 V or more. Set LCDVLM bit = 1 when V_{DD} is 4.2 V or less.

However, when $2.7 \text{ V} \leq V_{DD} \leq 4.2 \text{ V}$, operation is possible with LCDVLM = 0 or LCDVLM = 1.

- Cautions**
1. When the voltage boost circuit is used, set SCOC = 0 and VLCON = 0, and MDSET1, MDSET0 = 00 in order to reduce power consumption when the LCD is not used. When MDSET1, MDSET0 = 01, power is consumed by the internal reference voltage generator.
 2. When the external resistance division method has been set (MDSET1 and MDSET0 of LCDM0 = 00B) or capacitor split method has been set (MDSET1 and MDSET0 = 10B), set the LCDVLM bit to 0.
 3. Do not rewrite the VLCON and LCDVLM bits while SCOC = 1.
 4. Set the BLON and LCDSEL bits to 0 when 8 has been selected as the number of time slices for the display mode.
 5. To use the internal voltage boosting method, specify the reference voltage by using the VLCD register (select the internal boosting method (by setting the MDSET1 and MDSET0 bits of the LCDM0 register to 01B) if the default reference voltage is used), wait for the reference voltage setup time (5 ms (min.)), and then set the VLCON bit to 1.

21.3.3 Subsystem clock supply option control register (OSMC)

This register is used to reduce power consumption by stopping unnecessary clock functions.

If the RTCLPC bit is set to 1, power consumption can be reduced, because clock supply to the peripheral functions, <R> except the independent power supply RTC, 12-bit interval timer, 8-bit interval timer, clock output/buzzer output controller, LCD controller/driver, oscillation stop detection circuit, and frequency measurement circuit is stopped in STOP mode or HALT mode while sub clock (fsx) is selected as CPU clock.

In addition, the OSMC register can be used to select the operating clock of the 12-bit interval timer, 8-bit interval timer, clock output/buzzer output controller, LCD controller/driver, and frequency measurement circuit.

<R> The OSMC register can be set by a 1-bit or 8-bit memory manipulation instruction.

Reset signal generation clears this register to 00H.

Figure 21-4. Format of Subsystem clock supply option control register (OSMC)

Address: F00F3H After reset: 00H R/W^{Note 1}

Symbol	<7>	6	5	<4>	3	2	1	0
OSMC	RTCLPC	0	0	WUTMMCK0	0	0	0	0

RTCLPC <small>Note 4</small>	Setting in STOP mode or HALT mode while sub clock (fsx) is selected as CPU clock
0	Enables supply of sub clock (fsx) to peripheral functions (See Tables 26-1 to 26-3 for peripheral functions whose operations are enabled.)
1	Stops supply of sub clock (fsx) to peripheral functions other than the independent power supply RTC, 12-bit interval timer, 8-bit interval timer, clock output/buzzer output controller, LCD controller/driver, oscillation stop detection circuit, and frequency measurement circuit.

WUTMMCK0	Selection of the operating clock for the 12-bit interval timer, 8-bit interval timer, LCD controller/driver, and frequency measurement circuit	Selection of the count operation/stop trigger clock for the frequency measurement circuit	Selection of the output clock for the clock output/buzzer output controller
0	Sub clock (fsx)	Sub clock (fsx) selected	Sub clock (fsx)
1	Low-speed on-chip oscillator clock (fIL) ^{Notes 2, 3, 6, 7}	Low-speed on-chip oscillator clock (fIL) selected ^{Note 6}	Clock output is prohibited. ^{Note 5}

- Notes**
1. Be sure to set bits 0 to 3, 5, and 6 to "0".
 2. Do not set the WUTMMCK0 bit to 1 while the sub clock (fsx) is oscillating.
 3. Switching between the sub clock (fsx) and the low-speed on-chip oscillator clock (fIL) can be enabled by the WUTMMCK0 bit only when all of the 12-bit interval timer, 8-bit interval timer, clock output/buzzer output controller, LCD controller/driver, and frequency measurement circuit are stopped.
 4. When the sub clock (fsx) is selected (SELLOSC = 0) by bit 0 (SELLOSC) of the CKSEL register and RTCLPC is set to 1, the subsystem clock (fsUB) is stopped. However, when the low-speed on-chip oscillator clock is selected (SELLOSC = 1) and RTCLPC is set to 1, the subsystem clock (fsUB) is not stopped.
 5. When the WUTMMCK0 bit is set to 1, clock output from the PCLBUZn pin is prohibited.
 6. When the WUTMMCK0 bit is set to 1, the low-speed on-chip oscillator clock (fIL) oscillates.
 7. When the WUTMMCK0 bit is set to 1, internal voltage boosting cannot be used for the LCD drive voltage generator of the LCD controller/driver.

21.3.4 LCD clock control register 0 (LCDC0)

LCDC0 specifies the LCD source clock and LCD clock.

The frame frequency is determined according to the LCD clock and the number of time slices.

This register is set by using an 8-bit memory manipulation instruction.

Reset signal generation sets LCDC0 to 00H.

Figure 21-5. Format of LCD Clock Control Register 0 (LCDC0)

Address: FFF42H After reset: 00H R/W

Symbol	7	6	5	4	3	2	1	0
LCDC0	0	0	LCDC05	LCDC04	LCDC03	LCDC02	LCDC01	LCDC00

LCDC05	LCDC04	LCDC03	LCDC02	LCDC01	LCDC00	LCD clock (LCDCL)	
						WUTMMCK0 = 0	WUTMMCK0 = 1
0	0	0	0	0	1	$f_{SUB}/2^2$	$f_{IL}/2^2$
0	0	0	0	1	0	$f_{SUB}/2^3$	$f_{IL}/2^3$
0	0	0	0	1	1	$f_{SUB}/2^4$	$f_{IL}/2^4$
0	0	0	1	0	0	$f_{SUB}/2^5$	$f_{IL}/2^5$
0	0	0	1	0	1	$f_{SUB}/2^6$	$f_{IL}/2^6$
0	0	0	1	1	0	$f_{SUB}/2^7$	$f_{IL}/2^7$
0	0	0	1	1	1	$f_{SUB}/2^8$	$f_{IL}/2^8$
0	0	1	0	0	0	$f_{SUB}/2^9$	$f_{IL}/2^9$
0	0	1	0	0	1	$f_{SUB}/2^{10}$	
0	1	0	0	0	1	$f_{MAIN}/2^8$	
0	1	0	0	1	0	$f_{MAIN}/2^9$	
0	1	0	0	1	1	$f_{MAIN}/2^{10}$	
0	1	0	1	0	0	$f_{MAIN}/2^{11}$	
0	1	0	1	0	1	$f_{MAIN}/2^{12}$	
0	1	0	1	1	0	$f_{MAIN}/2^{13}$	
0	1	0	1	1	1	$f_{MAIN}/2^{14}$	
0	1	1	0	0	0	$f_{MAIN}/2^{15}$	
0	1	1	0	0	1	$f_{MAIN}/2^{16}$	
0	1	1	0	1	0	$f_{MAIN}/2^{17}$	
0	1	1	0	1	1	$f_{MAIN}/2^{18}$	
1	0	1	0	1	1	$f_{MAIN}/2^{19}$	
Other than above						Setting prohibited	

Cautions 1. Be sure to set bits 6 and 7 to “0”.

- 2. Set the frame frequency between 32 and 128 Hz (24 to 128 Hz when f_{IL} is selected). Also, when set to internal voltage boosting method, capacitor spit method, set the LCD clock (LCDCL) to 512 Hz or less (235 Hz or less when f_{IL} is selected).**
- 3. Do not set LCDC0 when the SCOC bit of the LCDM1 register is 1.**

Remark f_{MAIN} : Main system clock frequency
 f_{SUB} : Subsystem clock frequency
 f_{IL} : Low-speed on-chip oscillator clock frequency

21.3.5 LCD boost level control register (VLCD)

VLCD selects the reference voltage that is to be generated when operating the voltage boost circuit (contrast adjustment). The reference voltage can be selected from 16 steps.

This register is set by using an 8-bit memory manipulation instruction.

Reset signal generation sets VLCD to 04H.

Figure 21-6. Format of LCD Boost Level Control Register (VLCD)

Address: FFF43H After reset: 04H R/W

Symbol	7	6	5	4	3	2	1	0
VLCD	0	0	0	VLCD4	VLCD3	VLCD2	VLCD1	VLCD0

VLCD4	VLCD3	VLCD2	VLCD1	VLCD0	Reference voltage selection (contrast adjustment)	VL _L voltage	
						1/3 bias method	1/4 bias method
0	0	1	0	0	1.00 V (default)	3.00 V	4.00 V
0	0	1	0	1	1.05 V	3.15 V	4.20 V
0	0	1	1	0	1.10 V	3.30 V	4.40 V
0	0	1	1	1	1.15 V	3.45 V	4.60 V
0	1	0	0	0	1.20 V	3.60 V	4.80 V
0	1	0	0	1	1.25 V	3.75 V	5.00 V
0	1	0	1	0	1.30 V	3.90 V	5.20 V
0	1	0	1	1	1.35 V	4.05 V	Setting prohibited
0	1	1	0	0	1.40 V	4.20 V	Setting prohibited
0	1	1	0	1	1.45 V	4.35 V	Setting prohibited
0	1	1	1	0	1.50 V	4.50 V	Setting prohibited
0	1	1	1	1	1.55 V	4.65 V	Setting prohibited
1	0	0	0	0	1.60 V	4.80 V	Setting prohibited
1	0	0	0	1	1.65 V	4.95 V	Setting prohibited
1	0	0	1	0	1.70 V	5.10 V	Setting prohibited
1	0	0	1	1	1.75 V	5.25 V	Setting prohibited
Other than above					Setting prohibited		

- Cautions**
1. The VLCD setting is valid only when the voltage boost circuit is operating.
 2. Be sure to set bits 5 to 7 to “0”.
 3. Be sure to change the VLCD value after having stopped the operation of the voltage boost circuit (VLCON = 0).
 4. To use the internal voltage boosting method, specify the reference voltage by using the VLCD register (select the internal boosting method (by setting the MDSET1 and MDSET0 bits of the LCDM0 register to 01B) if the default reference voltage is used), wait for the reference voltage setup time (5 ms (min.)), and then set VLCON to 1.
 5. To use the external resistance division method or capacitor split method, use the VLCD register with its initial value (04H).

21.3.6 LCD input switch control register (ISCLCD)

Input to the Schmitt trigger buffer must be disabled until the CAPL/P126, CAPH/P127, and VL3/P125 pins are set to operate as LCD function pins in order to prevent through-current from entering.

This register is set by using a 1-bit or 8-bit memory manipulation instruction.

Reset signal generation sets ISCLCD to 00H.

Figure 21-7. Format of LCD Input Switch Control Register (ISCLCD)

Address: F0308H After reset: 00H R/W

Symbol	7	6	5	4	3	2	1	0
ISCLCD	0	0	0	0	0	0	ISCVL3	ISCCAP

ISCVL3	VL3/P125 pin Schmitt trigger buffer control
0	Input invalid
1	Input valid

ISCCAP	CAPL/P126, CAPH/P127 pins Schmitt trigger buffer control
0	Input invalid
1	Input valid

Cautions 1. If ISCVL3 = 0, set the corresponding port registers as follows:

PU125 bit of PU12 register = 0, P125 bit of P12 register = 0

2. If ISCCAP = 0, set the corresponding port registers as follows:

PU126 bit of PU12 register = 0, P126 bit of P12 register = 0

PU127 bit of PU12 register = 0, P127 bit of P12 register = 0

(1) Operation of ports that alternately function as VL3, CAPL, and CAPH pins

The functions of the VL3/P125, CAPL/P126, and CAPH/P127 pins can be selected by using the LCD input switch control register (ISCLCD), LCD mode register 0 (LCDM0), and port mode register 12 (PM12).

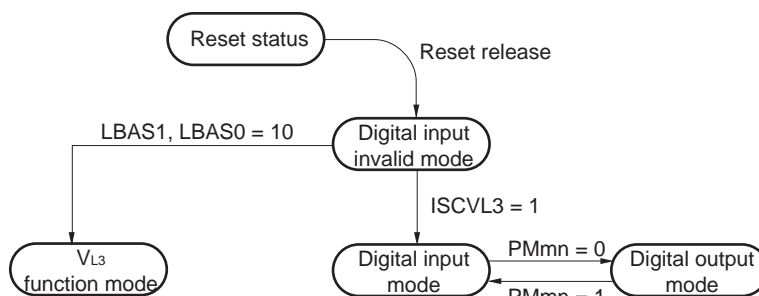
• **VL3/P125**

Table 21-5. Settings of VL3/P125 Pin Function

Bias Setting (LBAS1 and LBAS0 Bits of LCDM0 Register)	ISCVL3 Bit of ISCLCD Register	PM125 Bit of PM12 Register	Pin Function	Initial Status
Other than 1/4 bias method (LBAS1, LBAS0 = 00 or 01)	0	1	Digital input invalid mode	√
	1	0	Digital output mode	–
	1	1	Digital input mode	–
1/4 bias method (LBAS1, LBAS0 = 10)	0	1	VL3 function mode	–
Other than above			Setting prohibited	

The following shows the VL3/P125 pin function status transitions.

Figure 21-8. VL3/P125 Pin Function Status Transitions



Caution Be sure to set the VL3 function mode before segment output starts (while SCOC bit of LCD mode register 1 (LCDM1) is 0).

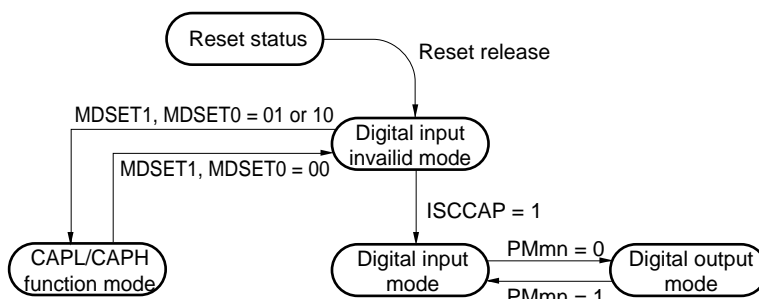
- CAPL/P126 and CAPH/P127

Table 21-6. Settings of CAPL/P126 and CAPH/P127 Pin Functions

LCD Drive Voltage Generator (MDSET1 and MDSET0 Bits of LCDM0 Register)	ISCCAP Bit of ISCLCD Register	PM126 and PM127 Bits of PM12 Register	Pin Function	Initial Status
External resistance division (MDSET1, MDSET0 = 00)	0	1	Digital input invalid mode	√
	1	0	Digital output mode	–
	1	1	Digital input mode	–
Internal voltage boosting or capacitor split (MDSET1, MDSET0 = 01 or 10)	0	1	CAPL/CAPH function mode	–
Other than above			Setting prohibited	

The following shows the CAPL/P126 and CAPH/P127 pin function status transitions.

Figure 21-9. CAPL/P126 and CAPH/P127 Pin Function Status Transitions



Caution Be sure to set the CAPL/CAPH function mode before segment output starts (while SCOC bit of LCD mode register 1 (LCDM1) is 0).

21.3.7 LCD port function registers 0 to 5 (PFSEG0 to PFSEG5)

These registers specify whether to use pins P02 to P07, P10 to P17, P30 to P37, P50 to P57, P70 to P77, and P80 to P85 as port pins (other than segment output pins) or segment output pins.

These registers are set by using a 1-bit or 8-bit memory manipulation instruction.

Reset signal generation sets these registers to the value after a reset shown in figure 21-10.

Remark The correspondence between the segment output pins (SEGxx) and the PFSEG register (PFSEGxx bits) and the existence of SEGxx pins in each product are shown in **Table 21-7 Segment Output Pins in Each Product and Correspondence with PFSEG Register (PFSEG Bits)**.

Figure 21-10. Format of LCD port function registers 0 to 5 (PFSEG0 to PFSEG5)

Address: F0300H After reset: F0H R/W

Symbol	7	6	5	4	3	2	1	0
PFSEG0	PFSEG07	PFSEG06	PFSEG05	PFSEG04	0	0	0	0

Address: F0301H After reset: FFH R/W

Symbol	7	6	5	4	3	2	1	0
PFSEG1	PFSEG15 <small>Note 3</small>	PFSEG14 <small>Note 3</small>	PFSEG13 <small>Note 3</small>	PFSEG12 <small>Note 3</small>	PFSEG11	PFSEG10	PFSEG09	PFSEG08

Address: F0302H After reset: FFH R/W

Symbol	7	6	5	4	3	2	1	0
PFSEG2	PFSEG23 <small>Note 3</small>	PFSEG22 <small>Note 3</small>	PFSEG21 <small>Note 3</small>	PFSEG20	PFSEG19	PFSEG18	PFSEG17	PFSEG16

<R> Address: F0303H After reset: FFH (R5F10NPJ, R5F10NMJ, R5F10NPG), 0FH (R5F10NMG, R5F10NLG, R5F10NME, R5F10NLE) R/W

Symbol	7	6	5	4	3	2	1	0
PFSEG3	PFSEG31 <small>Notes 1, 2, 3</small>	PFSEG30 <small>Notes 1, 2, 3</small>	PFSEG29 <small>Notes 1, 2, 3</small>	PFSEG28 <small>Notes 1, 2, 3</small>	PFSEG27 <small>Note 3</small>	PFSEG26 <small>Note 3</small>	PFSEG25	PFSEG24

<R> Address: F0304H After reset: FFH (R5F10NPJ, R5F10NMJ, R5F10NPG), 3FH (R5F10NMG, R5F10NLG, R5F10NME, R5F10NLE) R/W

Symbol	7	6	5	4	3	2	1	0
PFSEG4	PFSEG39 <small>Notes 1, 2</small>	PFSEG38 <small>Notes 1, 2</small>	PFSEG37	PFSEG36	PFSEG35	PFSEG34	PFSEG33	PFSEG32

Address: F0305H After reset: 03H R/W

Symbol	7	6	5	4	3	2	1	0
PFSEG5	0	0	0	0	0	0	PFSEG41	PFSEG40

PFSEGxx (xx = 04 to 41)	Port (other than segment output)/segment outputs specification of Pmn pins (mn = 02 to 07, 10 to 17, 30 to 37, 50 to 57, 70 to 77, 80 to 85)
0	Used the Pmn pin as port (other than segment output)
1	Used the Pmn pin as segment output

- <R> **Notes 1.** For R5F10NMG, R5F10NLG, R5F10NME, and R5F10NLE, the initial value is 0.
Writing 1 to this bit does not affect operation, and the value read is 0.
2. Be sure to set "1" for 80-pin products.
 3. Be sure to set "1" for 64-pin products.

Caution To use the Pmn pins as segment output pins (PFSEGxx = 1), be sure to set the PUm_n bit of the PUm register, POM_m bit of the POM register, and PIM_m bit of the PIM register to "0".

Table 21-7. Segment Output Pins in Each Product and Correspondence with PFSEG Register (PFSEG Bits)

Bit Name of PFSEG Register	Corresponding SEGxx Pins	Alternate Port	64-pin	80-pin	100-pin
PFSEG04	SEG4	P10	√	√	√
PFSEG05	SEG5	P11	√	√	√
PFSEG06	SEG6	P12	√	√	√
PFSEG07	SEG7	P13	√	√	√
PFSEG08	SEG8	P14	√	√	√
PFSEG09	SEG9	P15	√	√	√
PFSEG10	SEG10	P16	√	√	√
PFSEG11	SEG11	P17	√	√	√
PFSEG12	SEG12	P80	–	√	√
PFSEG13	SEG13	P81	–	√	√
PFSEG14	SEG14	P82	–	√	√
PFSEG15	SEG15	P83	–	√	√
PFSEG16	SEG16	P70	√	√	√
PFSEG17	SEG17	P71	√	√	√
PFSEG18	SEG18	P72	√	√	√
PFSEG19	SEG19	P73	√	√	√
PFSEG20	SEG20	P74	√	√	√
PFSEG21	SEG21	P75	–	√	√
PFSEG22	SEG22	P76	–	√	√
PFSEG23	SEG23	P77	–	√	√
PFSEG24	SEG24	P30	√	√	√
PFSEG25	SEG25	P31	√	√	√
PFSEG26	SEG26	P32	–	√	√
PFSEG27	SEG27	P33	–	√	√
PFSEG28	SEG28	P34	–	–	√
PFSEG29	SEG29	P35	–	–	√
PFSEG30	SEG30	P36	–	–	√
PFSEG31	SEG31	P37	–	–	√
PFSEG32	SEG32	P02	–	√	–
		P50	–	–	√
PFSEG33	SEG33	P03	–	√	–
		P51	–	–	√
PFSEG34	SEG34	P04	–	√	–
		P52	–	–	√
PFSEG35	SEG35	P05	–	√	–
		P53	–	–	√
PFSEG36	SEG36	P06	–	√	–
		P54	–	–	√
PFSEG37	SEG37	P07	–	√	–
		P55	–	–	√
PFSEG38	SEG38	P56	–	–	√
PFSEG39	SEG39	P57	–	–	√
PFSEG40	SEG40	P84	–	–	√
PFSEG41	SEG41	P85	–	–	√

(1) Operation of ports that alternately function as SEGxx pins

The functions of ports that also serve as segment output pins (SEGxx) can be selected by using the port mode register (PMxx) and LCD port function registers 0 to 5 (PFSEG0 to PFSEG5).

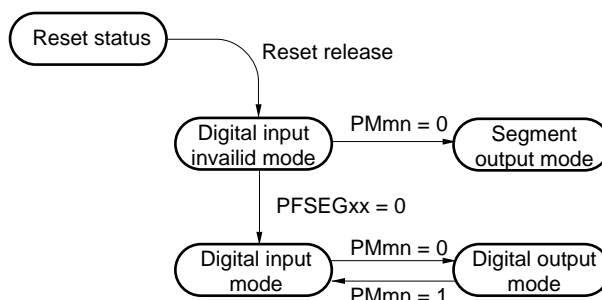
- P02 to P07, P10 to P17, P30 to P37, P50 to P57, P70 to P77, P80 to P85
(ports that do not serve as analog input pins (ANlxx))

Table 21-8. Settings of SEGxx/Port Pin Function

PFSEGxx Bit of PFSEG0 to PFSEG5 Registers	PMxx Bit of PMxx Register	Pin Function	Initial Status
1	1	Digital input invalid mode	√
0	0	Digital output mode	–
0	1	Digital input mode	–
1	0	Segment output mode	–

The following shows the SEGxx/Pxx pin function status transitions.

Figure 21-11. SEGxx/Pxx Pin Function Status Transitions



Caution Be sure to set the segment output mode before segment output starts (while SCOC bit of LCD mode register 1 (LCDM1) is 0).

21.3.8 Port mode registers 0, 1, 3, 5, 7, 8 (PM0, PM1, PM3, PM5, PM7, PM8)

These registers specify input/output of ports 0, 1, 5, 7, and 8 in 1-bit units.

When using the ports (such as P10/SEG4) to be shared with the segment output pin for segment output, set the port mode register (PMxx) bit and port register (Pxx) bit corresponding to each port to 0.

Example: When using P10/SEG4 for segment output
 Set the PM10 bit of port mode register 1 to "0".
 Set the P10 bit of port register 1 to "0".

These registers are set by using a 1-bit or 8-bit memory manipulation instruction.
 Reset signal generation sets these registers to FFH.

Figure 21-12. Format of Port Mode Registers 0, 1, 3, 5, 7, 8 (PM0, PM1, PM3, PM5, PM7, PM8)

Symbol	7	6	5	4	3	2	1	0	Address	After reset	R/W
PM0	PM07	PM06	PM05	PM04	PM03	PM02	1	1	FFF20H	FFH	R/W
PM1	PM17	PM16	PM15	PM14	PM13	PM12	PM11	PM10	FFF21H	FFH	R/W
PM3	PM37	PM36	PM35	PM34	PM33	PM32	PM31	PM30	FFF23H	FFH	R/W
PM5	PM57	PM56	PM55	PM54	PM53	PM52	PM51	PM50	FFF25H	FFH	R/W
PM7	PM77	PM76	PM75	PM74	PM73	PM72	PM71	PM70	FFF27H	FFH	R/W
PM8	1	1	PM85	PM84	PM83	PM82	PM81	PM80	FFF28H	FFH	R/W
PMmn	Pmn pin I/O mode selection (m = 0, 1, 3, 5, 7, 8; n = 0 to 7)										
0	Output mode (output buffer on)										
1	Input mode (output buffer off)										

Remark The figure shown above presents the format of port mode registers 0, 1, 3, 5, 7, and 8. The format of the port mode register of other products, see **Table 4-3 PMxx, Pxx, PUxx, PIMxx, POMxx registers and the bits mounted on each product.**

21.4 LCD Display Data Registers

The LCD display data registers are mapped as shown in Table 21-9. The contents displayed on the LCD can be changed by changing the contents of the LCD display data registers.

Table 21-9. Relationship Between LCD Display Data Register Contents and Segment/Common Outputs (1/4)

(a) Other than 6-time slice and 8-time slice (static, 2-time slice, 3-time slice, and 4-time slice) (1/2)

Register Name	Address	bit 7	bit 6	bit 5	bit 4	bit 3	bit 2	bit 1	bit 0	100-pin	80-pin	64-pin
		COM7	COM6	COM5	COM4	COM3	COM2	COM1	COM0			
SEG0	F0400H	SEG0 (B-pattern area)				SEG0 (A-pattern area)				√	√	√
SEG1	F0401H	SEG1 (B-pattern area)				SEG1 (A-pattern area)				√	√	√
SEG2	F0402H	SEG2 (B-pattern area)				SEG2 (A-pattern area)				√	√	√
SEG3	F0403H	SEG3 (B-pattern area)				SEG3 (A-pattern area)				√	√	√
SEG4	F0404H	SEG4 (B-pattern area)				SEG4 (A-pattern area)				√	√	√
SEG5	F0405H	SEG5 (B-pattern area)				SEG5 (A-pattern area)				√	√	√
SEG6	F0406H	SEG6 (B-pattern area)				SEG6 (A-pattern area)				√	√	√
SEG7	F0407H	SEG7 (B-pattern area)				SEG7 (A-pattern area)				√	√	√
SEG8	F0408H	SEG8 (B-pattern area)				SEG8 (A-pattern area)				√	√	√
SEG9	F0409H	SEG9 (B-pattern area)				SEG9 (A-pattern area)				√	√	√
SEG10	F040AH	SEG10 (B-pattern area)				SEG10 (A-pattern area)				√	√	√
SEG11	F040BH	SEG11 (B-pattern area)				SEG11 (A-pattern area)				√	√	√
SEG12	F040CH	SEG12 (B-pattern area)				SEG12 (A-pattern area)				√	√	–
SEG13	F040DH	SEG13 (B-pattern area)				SEG13 (A-pattern area)				√	√	–
SEG14	F040EH	SEG14 (B-pattern area)				SEG14 (A-pattern area)				√	√	–
SEG15	F040FH	SEG15 (B-pattern area)				SEG15 (A-pattern area)				√	√	–
SEG16	F0410H	SEG16 (B-pattern area)				SEG16 (A-pattern area)				√	√	√
SEG17	F0411H	SEG17 (B-pattern area)				SEG17 (A-pattern area)				√	√	√
SEG18	F0412H	SEG18 (B-pattern area)				SEG18 (A-pattern area)				√	√	√
SEG19	F0413H	SEG19 (B-pattern area)				SEG19 (A-pattern area)				√	√	√
SEG20	F0414H	SEG20 (B-pattern area)				SEG20 (A-pattern area)				√	√	√
SEG21	F0415H	SEG21 (B-pattern area)				SEG21 (A-pattern area)				√	√	–
SEG22	F0416H	SEG22 (B-pattern area)				SEG22 (A-pattern area)				√	√	–
SEG23	F0417H	SEG23 (B-pattern area)				SEG23 (A-pattern area)				√	√	–
SEG24	F0418H	SEG24 (B-pattern area)				SEG24 (A-pattern area)				√	√	√
SEG25	F0419H	SEG25 (B-pattern area)				SEG25 (A-pattern area)				√	√	√
SEG26	F041AH	SEG26 (B-pattern area)				SEG26 (A-pattern area)				√	√	–
SEG27	F041BH	SEG27 (B-pattern area)				SEG27 (A-pattern area)				√	√	–
SEG28	F041CH	SEG28 (B-pattern area)				SEG28 (A-pattern area)				√	–	–
SEG29	F041DH	SEG29 (B-pattern area)				SEG29 (A-pattern area)				√	–	–
SEG30	F041EH	SEG30 (B-pattern area)				SEG30 (A-pattern area)				√	–	–
SEG31	F041FH	SEG31 (B-pattern area)				SEG31 (A-pattern area)				√	–	–
SEG32	F0420H	SEG32 (B-pattern area)				SEG32 (A-pattern area)				√	√	–
SEG33	F0421H	SEG33 (B-pattern area)				SEG33 (A-pattern area)				√	√	–

Table 21-9. Relationship Between LCD Display Data Register Contents and Segment/Common Outputs (2/4)

(a) Other than 6-time slice and 8-time slice (static, 2-time slice, 3-time slice, and 4-time slice) (2/2)

Register Name	Address	bit 7	bit 6	bit 5	bit 4	bit 3	bit 2	bit 1	bit 0	100-pin	80-pin	64-pin
		COM7	COM6	COM5	COM4	COM3	COM2	COM1	COM0			
SEG34	F0422H	SEG34 (B-pattern area)				SEG34 (A-pattern area)				√	√	–
SEG35	F0423H	SEG35 (B-pattern area)				SEG35 (A-pattern area)				√	√	–
SEG36	F0424H	SEG36 (B-pattern area)				SEG36 (A-pattern area)				√	√	–
SEG37	F0425H	SEG37 (B-pattern area)				SEG37 (A-pattern area)				√	√	–
SEG38	F0426H	SEG38 (B-pattern area)				SEG38 (A-pattern area)				√	–	–
SEG39	F0427H	SEG39 (B-pattern area)				SEG39 (A-pattern area)				√	–	–
SEG40	F0428H	SEG40 (B-pattern area)				SEG40 (A-pattern area)				√	–	–
SEG41	F0429H	SEG41 (B-pattern area)				SEG41 (A-pattern area)				√	–	–

Remark √: Supported, –: Not supported

Table 21-9. Relationship Between LCD Display Data Register Contents and Segment/Common Outputs (3/4)

(b) 6-time slice and 8-time slice (1/2)

Register Name	Address	bit 7	bit 6	bit 5	bit 4	bit 3	bit 2	bit 1	bit 0	100-pin	80-pin	64-pin
		COM7	COM6	COM5	COM4	COM3	COM2	COM1	COM0			
SEG0	F0400H	SEG0 ^{Note}								√	√	√
SEG1	F0401H	SEG1 ^{Note}								√	√	√
SEG2	F0402H	SEG2 ^{Note}								√	√	√
SEG3	F0403H	SEG3 ^{Note}								√	√	√
SEG4	F0404H	SEG4								√	√	√
SEG5	F0405H	SEG5								√	√	√
SEG6	F0406H	SEG6								√	√	√
SEG7	F0407H	SEG7								√	√	√
SEG8	F0408H	SEG8								√	√	√
SEG9	F0409H	SEG9								√	√	√
SEG10	F040AH	SEG10								√	√	√
SEG11	F040BH	SEG11								√	√	√
SEG12	F040CH	SEG12								√	√	–
SEG13	F040DH	SEG13								√	√	–
SEG14	F040EH	SEG14								√	√	–
SEG15	F040FH	SEG15								√	√	–
SEG16	F0410H	SEG16								√	√	√
SEG17	F0411H	SEG17								√	√	√
SEG18	F0412H	SEG18								√	√	√
SEG19	F0413H	SEG19								√	√	√
SEG20	F0414H	SEG20								√	√	√
SEG21	F0415H	SEG21								√	√	–
SEG22	F0416H	SEG22								√	√	–
SEG23	F0417H	SEG23								√	√	–
SEG24	F0418H	SEG24								√	√	√
SEG25	F0419H	SEG25								√	√	√
SEG26	F041AH	SEG26								√	√	–
SEG27	F041BH	SEG27								√	√	–
SEG28	F041CH	SEG28								√	–	–
SEG29	F041DH	SEG29								√	–	–
SEG30	F041EH	SEG30								√	–	–
SEG31	F041FH	SEG31								√	–	–
SEG32	F0420H	SEG32								√	√	–
SEG33	F0421H	SEG33								√	√	–
SEG34	F0422H	SEG34								√	√	–
SEG35	F0423H	SEG35								√	√	–
SEG36	F0424H	SEG36								√	√	–
SEG37	F0425H	SEG37								√	√	–
SEG38	F0426H	SEG38								√	–	–
SEG39	F0427H	SEG39								√	–	–
SEG40	F0428H	SEG40								√	–	–

Table 21-9. Relationship Between LCD Display Data Register Contents and Segment/Common Outputs (4/4)**(b) 6-time slice and 8-time slice (2/2)**

Register Name	Address	bit 7	bit 6	bit 5	bit 4	bit 3	bit 2	bit 1	bit 0	100-pin	80-pin	64-pin
		COM7	COM6	COM5	COM4	COM3	COM2	COM1	COM0			
SEG41	F0429H	SEG41								√	–	–

Note The COM4 to COM7 pins and SEG0 to SEG3 pins are used alternatively.

Remark √: Supported, –: Not supported

To use the LCD display data register when the number of time slices is static, two, three, or four, the lower four bits and higher four bits of each address of the LCD display data register become an A-pattern area and a B-pattern area, respectively.

The correspondences between A-pattern area data and COM signals are as follows: bit 0 ⇔ COM0, bit 1 ⇔ COM1, bit 2 ⇔ COM2, and bit 3 ⇔ COM3.

The correspondences between B-pattern area data and COM signals are as follows: bit 4 ⇔ COM0, bit 5 ⇔ COM1, bit 6 ⇔ COM2, and bit 7 ⇔ COM3.

A-pattern area data will be displayed on the LCD panel when BLON = LCDSEL = 0 has been selected, and B-pattern area data will be displayed on the LCD panel when BLON = 0 and LCDSEL = 1 have been selected.

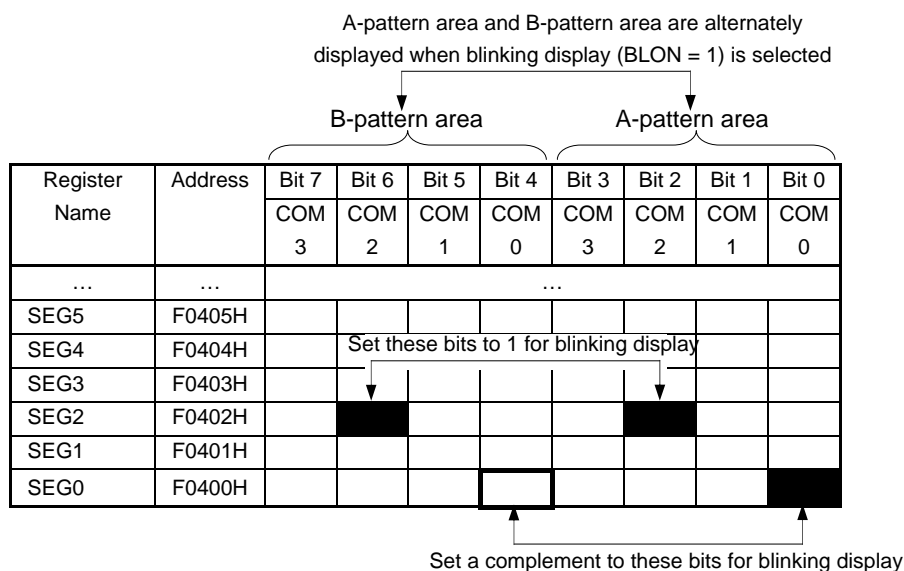
21.5 Selection of LCD Display Register

With RL78/I1C, to use the LCD display data registers when the number of time slices is static, two, three, or four, the LCD display data register can be selected from the following three types, according to the BLON and LCDSEL bit settings.

- Displaying an A-pattern area data (lower four bits of LCD display data register)
- Displaying a B-pattern area data (higher four bits of LCD display data register)
- Alternately displaying A-pattern and B-pattern area data (blinking display corresponding to the constant-period interrupt timing of the independent power supply RTC)

Caution When the number of time slices is six or eight, LCD display data registers (A-pattern, B-pattern, or blinking display) cannot be selected.

Figure 21-13. Example of Setting LCD Display Registers When Pattern Is Changed



21.5.1 A-pattern area and B-pattern area data display

When BLON = LCDSEL = 0, A-pattern area (lower four bits of the LCD display data register) data will be output as the LCD display register.

When BLON = 0, and LCDSEL = 1, B-pattern area (higher four bits of the LCD display data register) data will be output as the LCD display register.

See **21.4 LCD Display Data Registers** about the display area.

21.5.2 Blinking display (Alternately displaying A-pattern and B-pattern area data)

When BLON = 1 has been set, A-pattern and B-pattern area data will be alternately displayed, according to the fixed-cycle interrupt (INTRTCPRD) timing of the independent power supply RTC. See **CHAPTER 9 Realtime Clock with Independent Power Supply** about the setting of the fixed-cycle interrupt (INTRTCPRD, 0.5 s setting only) timing of the independent power supply RTC.

For blinking display of the LCD, set inverted values to the B-pattern area bits corresponding to the A-pattern area bits. (Example: Set 1 to bit 0 of 00H, and set 0 to bit 4 of F0400H for blinking display.) When not setting blinking display of the LCD, set the same values. (Example: Set 1 to bit 2 of F0402H, and set 1 to bit 6 of F0402H for lighting display.)

See **21.4 LCD Display Data Registers** about the display area.

Next, the timing operation of display switching is shown.

Figure 21-14. Switching Operation from A-Pattern Display to Blinking Display

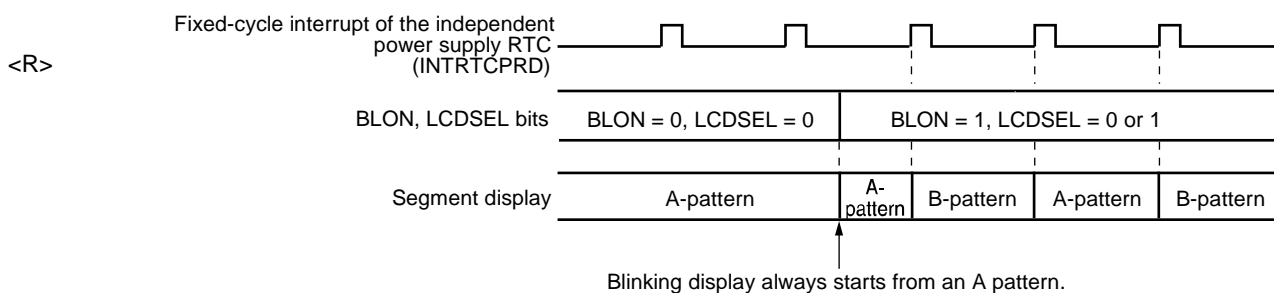
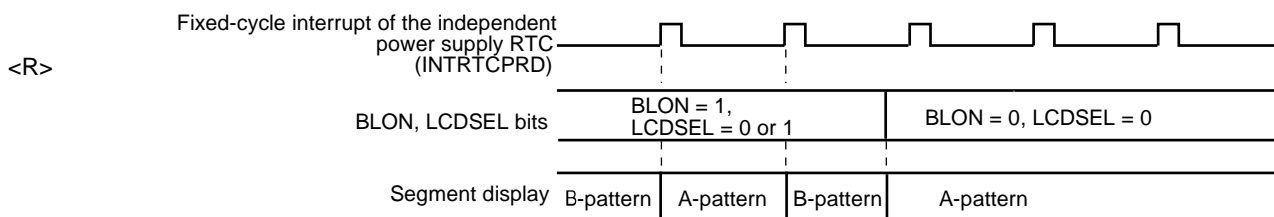


Figure 21-15. Switching Operation from Blinking Display to A-Pattern Display



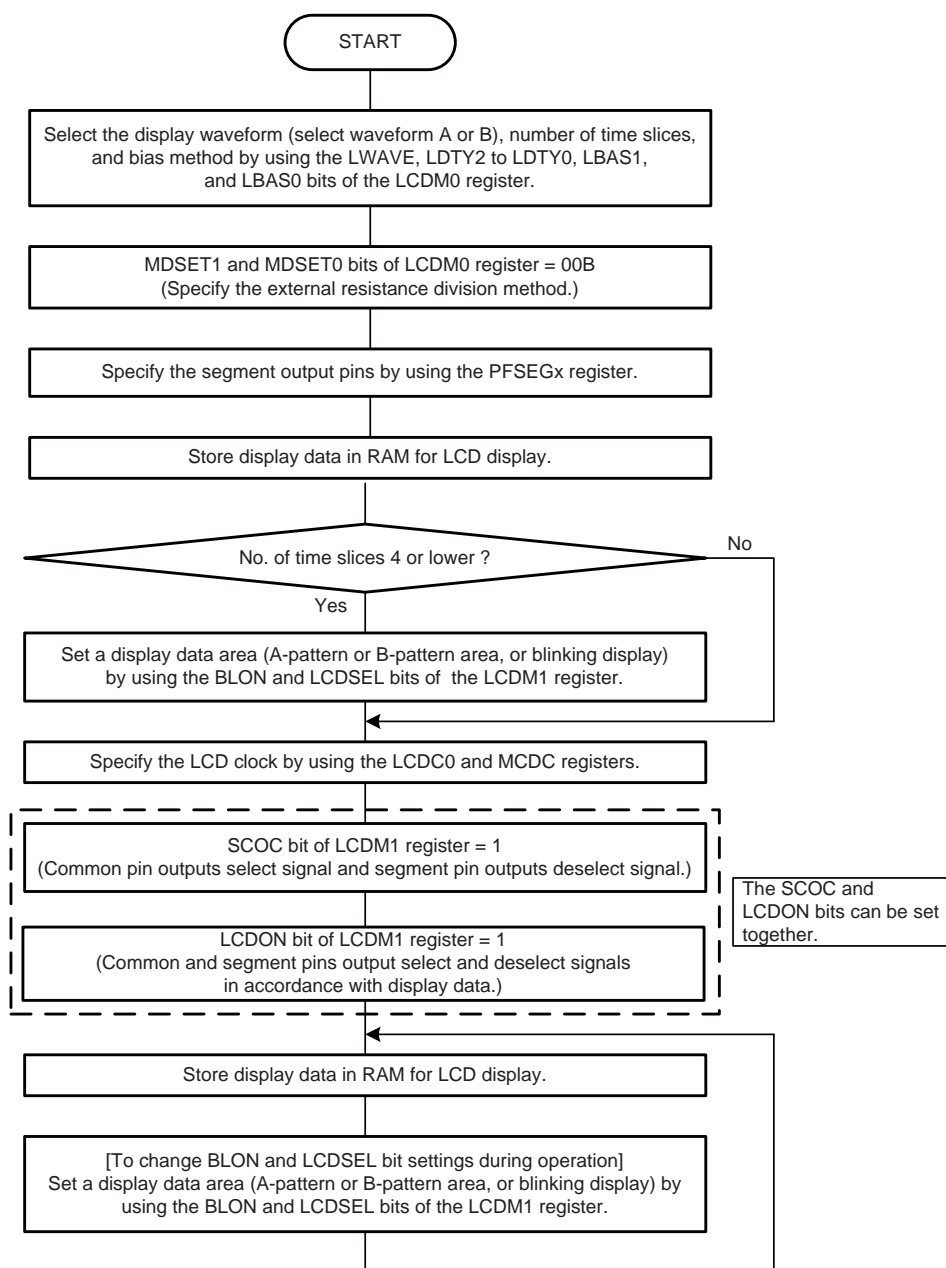
21.6 Setting the LCD Controller/Driver

Set the LCD controller/driver using the following procedure.

- Cautions** 1. To operate the LCD controller/driver, be sure to follow procedures (1) to (3). Unless these procedures are observed, the operation will not be guaranteed.
- 2. The steps shown in the flowcharts in (1) to (3) are performed by the CPU.

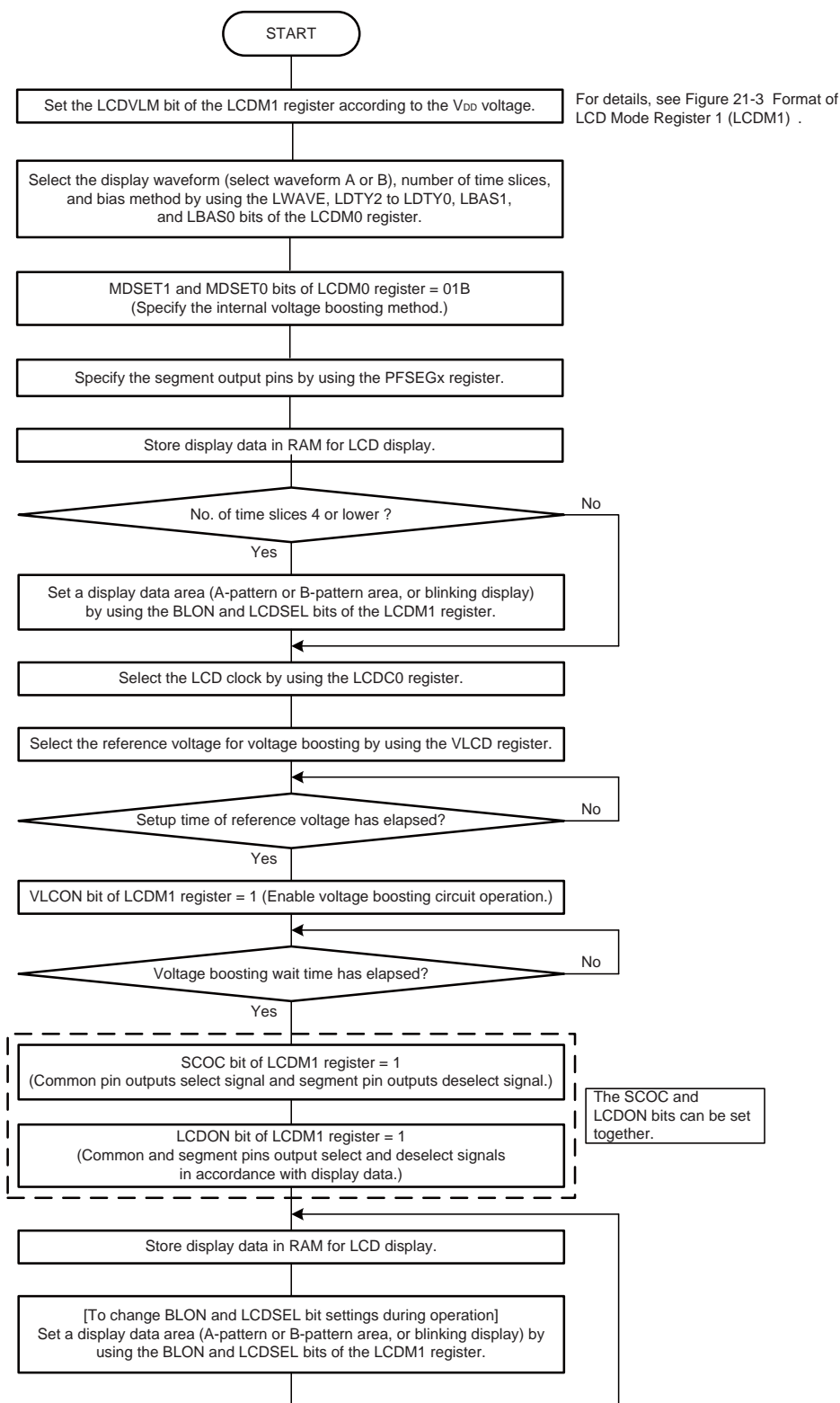
(1) External resistance division method

Figure 21-16. External Resistance Division Method Setting Procedure



(2) Internal voltage boosting method

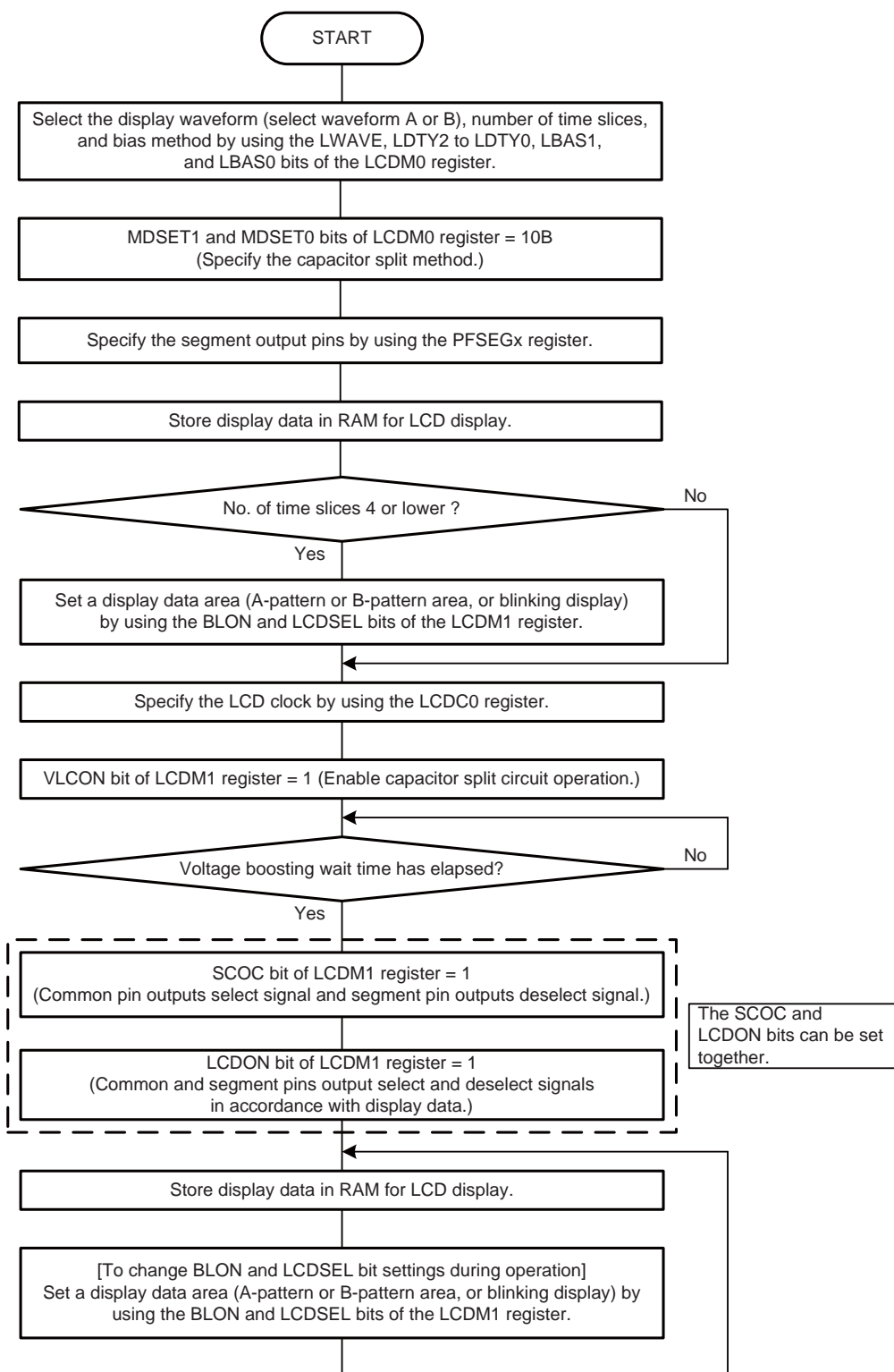
Figure 21-17. Internal Voltage Boosting Method Setting Procedure



- Cautions**
1. Wait until the setup time has elapsed even if not changing the setting of the VLCD register.
 2. For the specifications of the reference voltage setup time and voltage boosting wait time, see CHAPTER 41 ELECTRICAL SPECIFICATIONS.

(3) Capacitor split method

Figure 21-18. Capacitor Split Method Setting Procedure

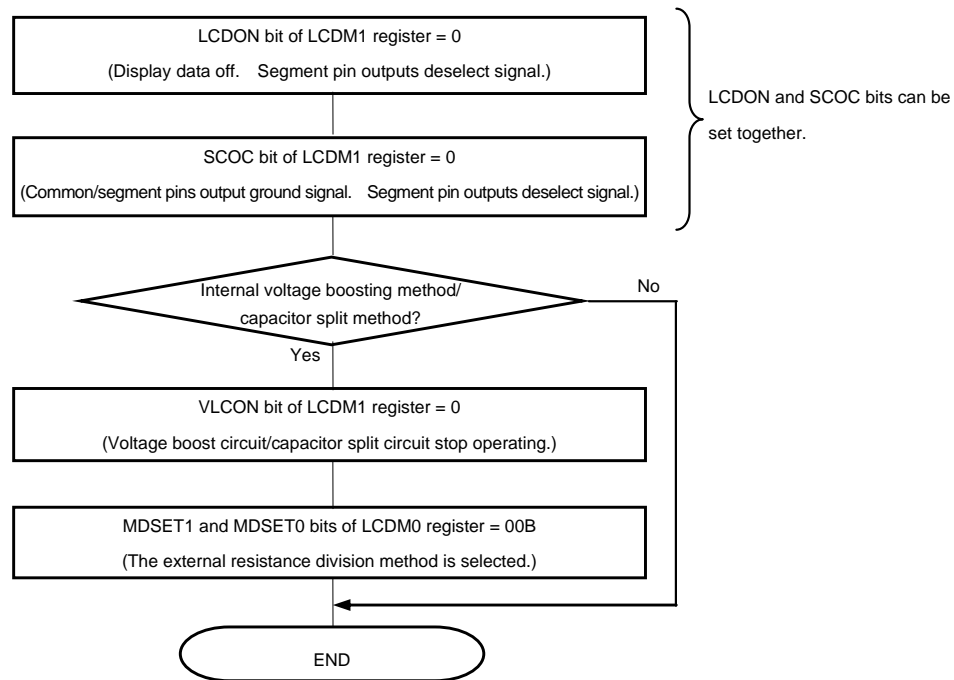


Caution For the specifications of the voltage boosting wait time, see CHAPTER 41 ELECTRICAL SPECIFICATIONS.

21.7 Operation Stop Procedure

To stop the operation of the LCD while it is displaying waveforms, follow the steps shown in the flowchart below. The LCD stops operating when the LCDON bit of LCDM1 register and SCOC bit of the LCDM1 register are set to "0".

Figure 21-19. Operation Stop Procedure



Caution Stopping the voltage boost/capacitor split circuits is prohibited while the display is on (SCOC and LCDON bits of LCDM1 register = 11B). Otherwise, the operation will not be guaranteed. Be sure to turn off display (SCOC and LCDON bits of LCDM1 register = 00B) before stopping the voltage boost/capacitor split circuits (VLCON bit of LCDM1 register = 0).

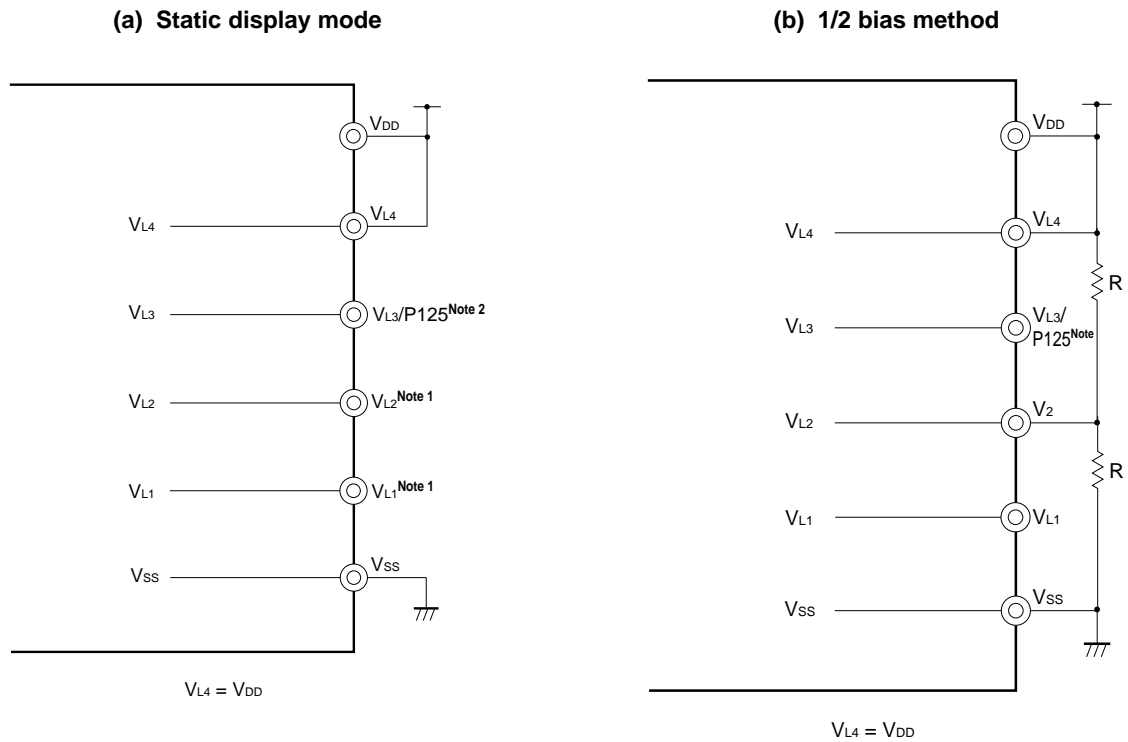
21.8 Supplying LCD Drive Voltages V_{L1} , V_{L2} , V_{L3} , and V_{L4}

The external resistance division method, internal voltage boosting method, and capacitor split method can be selected as LCD drive power generating method.

21.8.1 External resistance division method

Figure 21-20 shows examples of LCD drive voltage connection, corresponding to each bias method.

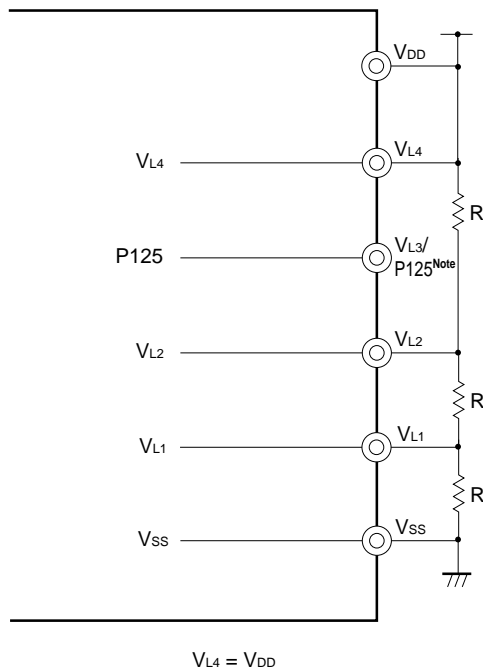
Figure 21-20. Examples of LCD Drive Power Connections (External Resistance Division Method) (1/2)



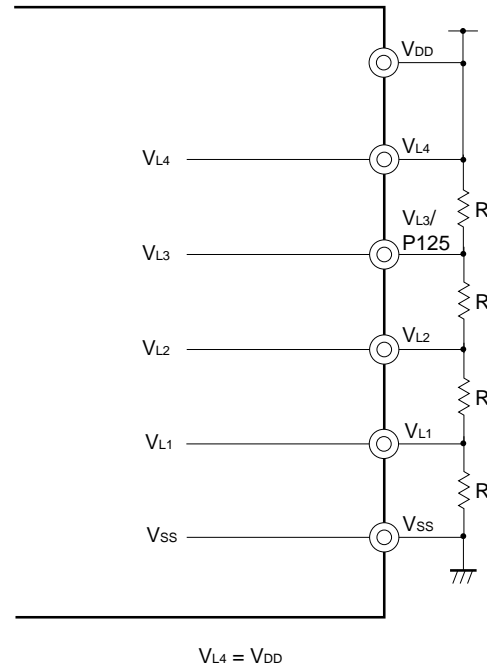
- Notes 1.** Connect V_{L1} and V_{L2} to GND or leave open.
- 2.** V_{L3} can be used as port (P125).

Figure 21-20. Examples of LCD Drive Power Connections (External Resistance Division Method) (2/2)

(c) 1/3 bias method



(d) 1/4 bias method



Note V_{L3} can be used as port (P125).

Caution The reference resistance “R” value for external resistance division is 10 kΩ to 1 MΩ. Also, to stabilize the potential of the V_{L1} to V_{L4} pins, connect a capacitor between each of pins V_{L1} to V_{L4} and the GND pin as needed. The reference capacitance is about 0.47 μF but it depends on the LCD panel used, the number of segment pins, the number of common pins, the frame frequency, and the operating environment. Thoroughly evaluate these values in accordance with your system and adjust and determine the capacitance.

21.8.2 Internal voltage boosting method

RL78/I1C contains an internal voltage boost circuit for generating LCD drive power supplies. The internal voltage boost circuit and external capacitors ($0.47 \mu\text{F} \pm 30\%$) are used to generate an LCD drive voltage. Only 1/3 bias mode or 1/4 bias mode can be set for the internal voltage boosting method.

The LCD drive voltage of the internal voltage boosting method can supply a constant voltage, regardless of changes in V_{DD} , because it is a power supply separate from the main unit.

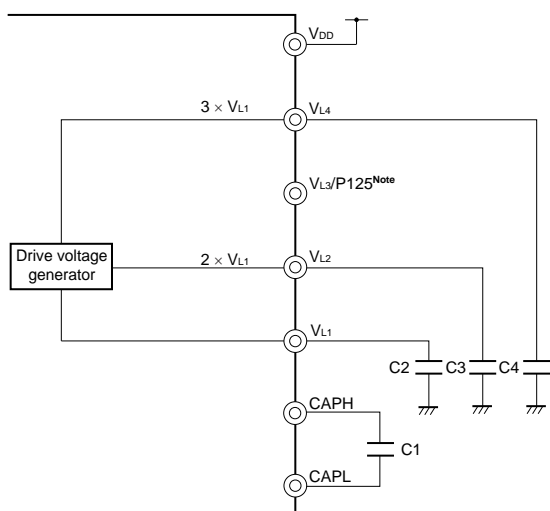
In addition, a contrast can be adjusted by using the LCD boost level control register (VLCD).

Table 21-10. LCD Drive Voltages (Internal Voltage Boosting Method)

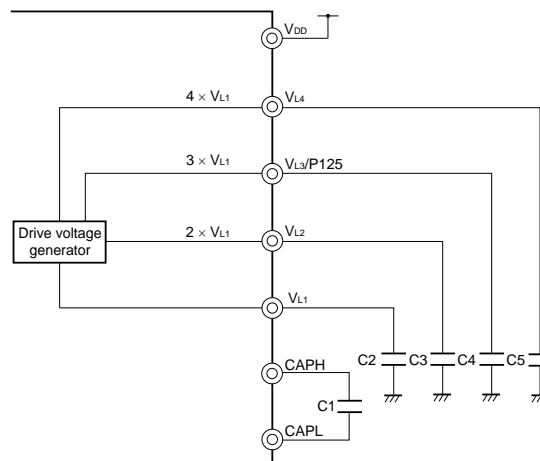
Bias Method \ LCD Drive Voltage Pin	1/3 Bias Method	1/4 Bias Method
V_{L4}	$3 \times V_{L1}$	$4 \times V_{L1}$
V_{L3}	—	$3 \times V_{L1}$
V_{L2}	$2 \times V_{L1}$	$2 \times V_{L1}$
V_{L1}	LCD reference voltage	LCD reference voltage

Figure 21-21. Examples of LCD Drive Power Connections (Internal Voltage Boosting Method)

(a) 1/3 bias method



(b) 1/4 bias method



Note V_{L3} can be used as port (P125).

Remark Use a capacitor with as little leakage as possible.
In addition, make C1 a nonpolar capacitor.

21.8.3 Capacitor split method

RL78/I1C contains an internal voltage reduction circuit for generating LCD drive power supplies. The internal voltage reduction circuit and external capacitors ($0.47 \mu\text{F} \pm 30\%$) are used to generate an LCD drive voltage. Only 1/3 bias mode can be set for the capacitor split method.

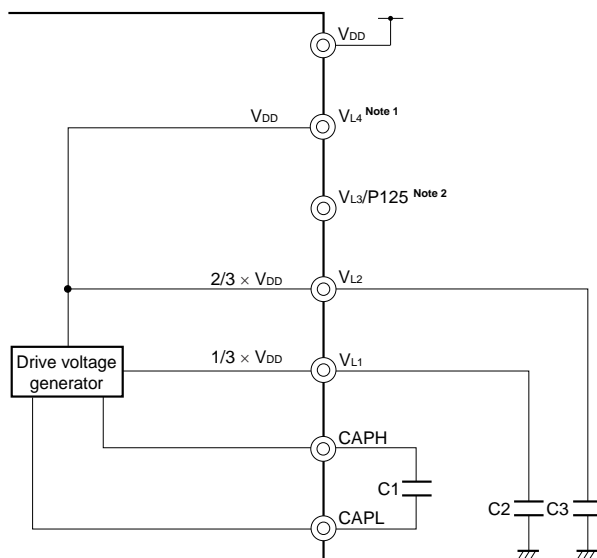
Different from the external resistance division method, there is always no current flowing with the capacitor split method, so current consumption can be reduced.

Table 21-11. LCD Drive Voltages (Capacitor Split Method)

Bias Method \ LCD Drive Voltage Pin	1/3 Bias Method
V_{L4}	V_{DD}
V_{L3}	—
V_{L2}	$2/3 \times V_{L4}$
V_{L1}	$1/3 \times V_{L4}$

Figure 21-22. Examples of LCD Drive Power Connections (Capacitor Split Method)

• 1/3 bias method



Notes 1. When switching to internal voltage boosting method, connect capacitor C4 as shown in Figure 21-21. Examples of LCD Drive Power Connections (Internal Voltage Boosting Method)

2. V_{L3} can be used as port (P125).

Remark Use a capacitor with as little leakage as possible. In addition, make C1 a nonpolar capacitor.

21.9 Common and Segment Signals

21.9.1 Normal liquid crystal waveform

Each pixel of the LCD panel turns on when the potential difference between the corresponding common and segment signals becomes higher than a specific voltage (LCD drive voltage, V_{LCD}). The pixels turn off when the potential difference becomes lower than V_{LCD} .

Applying DC voltage to the common and segment signals of an LCD panel causes deterioration. To avoid this problem, this LCD panel is driven by AC voltage.

(1) Common signals

Each common signal is selected sequentially according to a specified number of time slices at the timing listed in Table 21-12. In the static display mode, the same signal is output to COM0 to COM3.

In the two-time-slice mode, leave the COM2 and COM3 pins open. In the three-time-slice mode, leave the COM3 pin open.

Use the COM4 to COM7 pins other than in the six-time-slice mode and eight-time-slice mode, and COM6, COM7 pins in the six-time-slice mode as open or segment pins.

Table 21-12. COM Signals

COM Signal Number of Time Slices	COM0	COM1	COM2	COM3	COM4	COM5	COM6	COM7
Static display mode					Note	Note	Note	Note
Two-time-slice mode			Open	Open	Note	Note	Note	Note
Three-time-slice mode				Open	Note	Note	Note	Note
Four-time-slice mode					Note	Note	Note	Note
Six-time-slice mode							Note	Note
Eight-time-slice mode								

Note Use the pins as open or segment pins.

(2) Segment signals

The segment signals correspond to the LCD display data register (see **21.4 LCD Display Data Registers**).

When the number of time slices is eight, bits 0 to 7 of each display data register are read in synchronization with COM0 to COM7, respectively. If a bit is 1, it is converted to the select voltage, and if it is 0, it is converted to the deselect voltage. The conversion results are output to the segment pins (SEG4 to SEG41).

When the number of time slices is number other than eight, bits 0 to 3 of each byte in A-pattern area are read in synchronization with COM0 to COM3, and bits 4 to 7 of each byte in B-pattern area are read in synchronization with COM0 to COM3, respectively. If a bit is 1, it is converted to the select voltage, and if it is 0, it is converted to the deselect voltage. The conversion results are output to the segment pins (SEG0 to SEG41).

Check, with the information given above, what combination of front-surface electrodes (corresponding to the segment signals) and rear-surface electrodes (corresponding to the common signals) forms display patterns in the LCD display data register, and write the bit data that corresponds to the desired display pattern on a one-to-one basis.

Remark The mounted segment output pins vary depending on the product.

- 64-pin products: SEG0 to SEG11, SEG16 to SEG20, SEG24 to SEG25
- 80-pin products: SEG0 to SEG27, SEG32 to SEG37
- 100-pin products: SEG0 to SEG41

(3) Output waveforms of common and segment signals

The voltages listed in Table 21-13 are output as common and segment signals.

When both common and segment signals are at the select voltage, a display on-voltage of $\pm V_{LCD}$ is obtained. The other combinations of the signals correspond to the display off-voltage.

Table 21-13. LCD Drive Voltage**(a) Static display mode**

Segment Signal		Select Signal Level	Deselect Signal Level
		V_{SS}/V_{L4}	V_{L4}/V_{SS}
Common Signal			
	V_{L4}/V_{SS}	$-V_{LCD}/+V_{LCD}$	0 V/0 V

(b) 1/2 bias method

Segment Signal		Select Signal Level	Deselect Signal Level
		V_{SS}/V_{L4}	V_{L4}/V_{SS}
Common Signal			
Select signal level	V_{L4}/V_{SS}	$-V_{LCD}/+V_{LCD}$	0 V/0 V
Deselect signal level	V_{L2}	$-\frac{1}{2}V_{LCD}/+\frac{1}{2}V_{LCD}$	$+\frac{1}{2}V_{LCD}/-\frac{1}{2}V_{LCD}$

(c) 1/3 bias method (waveform A or B)

Segment Signal		Select Signal Level	Deselect Signal Level
		V_{SS}/V_{L4}	V_{L2}/V_{L1}
Common Signal			
Select signal level	V_{L4}/V_{SS}	$-V_{LCD}/+V_{LCD}$	$-\frac{1}{3}V_{LCD}/+\frac{1}{3}V_{LCD}$
Deselect signal level	V_{L1}/V_{L2}	$-\frac{1}{3}V_{LCD}/+\frac{1}{3}V_{LCD}$	$+\frac{1}{3}V_{LCD}/-\frac{1}{3}V_{LCD}$

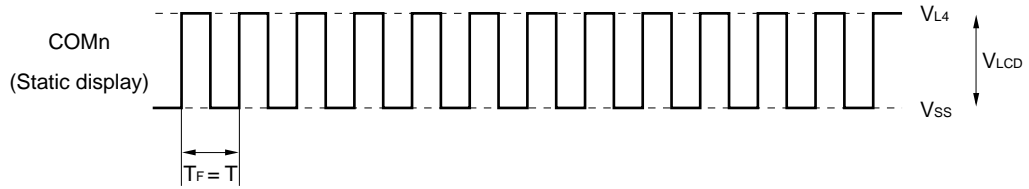
(d) 1/4 bias method (waveform A or B)

Segment Signal		Select Signal Level	Deselect Signal Level
		V_{SS}/V_{L4}	V_{L2}
Common Signal			
Select signal level	V_{L4}/V_{SS}	$-V_{LCD}/+V_{LCD}$	$-\frac{1}{2}V_{LCD}/+\frac{1}{2}V_{LCD}$
Deselect signal level	V_{L1}/V_{L3}	$-\frac{1}{4}V_{LCD}/+\frac{1}{4}V_{LCD}$	$+\frac{1}{4}V_{LCD}/-\frac{1}{4}V_{LCD}$

Figure 21-23 shows the common signal waveforms, and Figure 21-24 shows the voltages and phases of the common and segment signals.

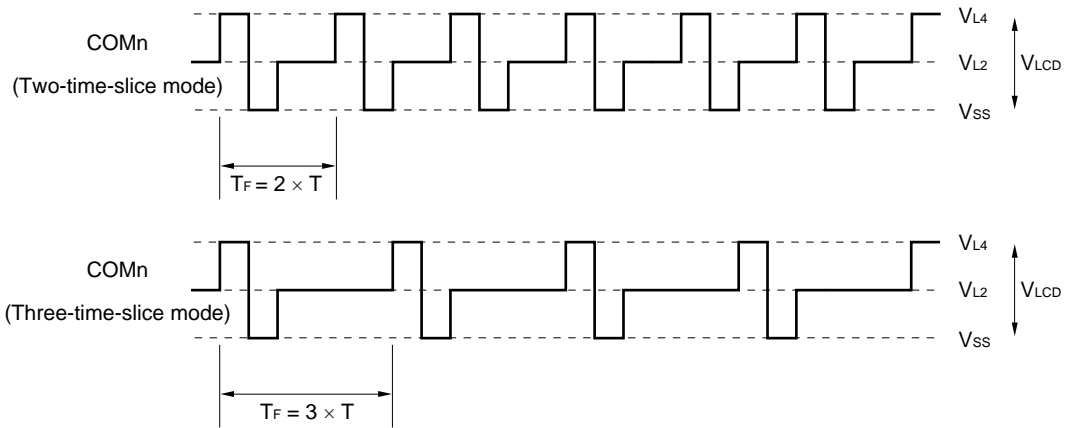
Figure 21-23. Common Signal Waveforms (1/3)

(a) Static display mode



T: One LCD clock period T_F : Frame frequency

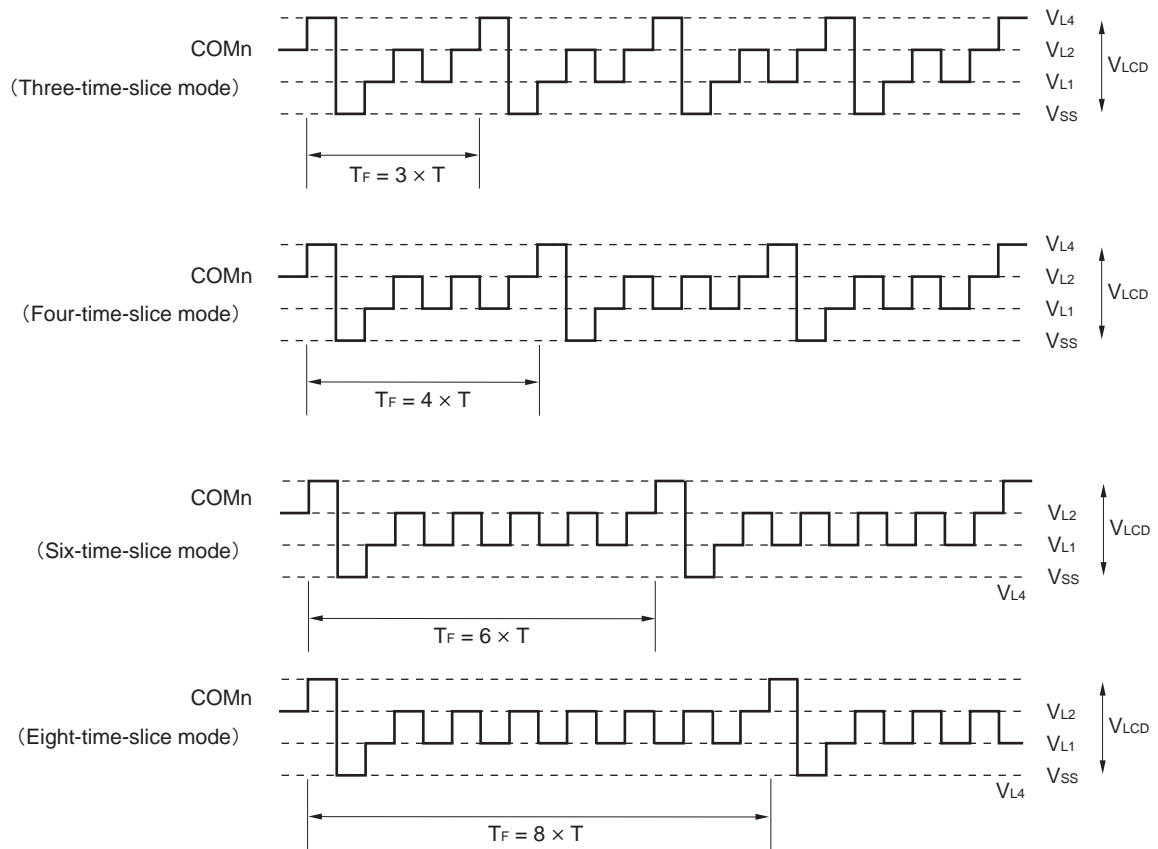
(b) 1/2 bias method



T: One LCD clock period T_F : Frame frequency

Figure 21-23. Common Signal Waveforms (2/3)

(c) 1/3 bias method



T: One LCD clock period T_F : Frame frequency

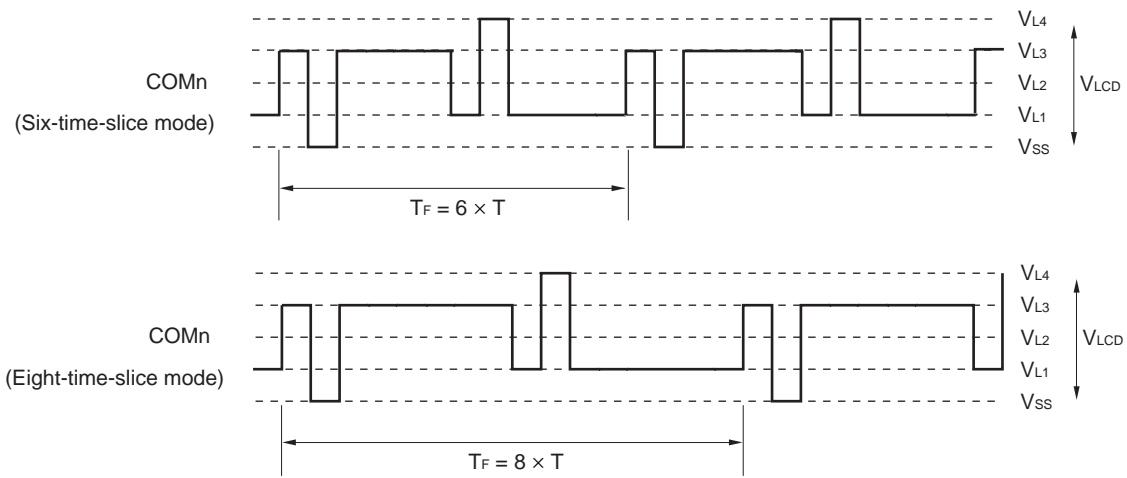
< Example of calculation of LCD frame frequency (When four-time-slice mode is used) >

LCD clock: $32768/2^7 = 256$ Hz (When setting to LCDC0 = 06H)

LCD frame frequency: 64 Hz

Figure 21-23. Common Signal Waveforms (3/3)

(d) 1/4 bias method



T: One LCD clock period T_F : Frame frequency

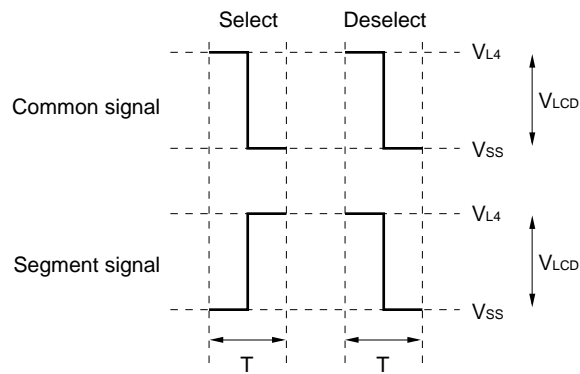
< Example of calculation of LCD frame frequency (When eight-time-slice mode is used) >

LCD clock: $32768/2^7 = 256$ Hz (When setting to LCDC0 = 06H)

LCD frame frequency: 32 Hz

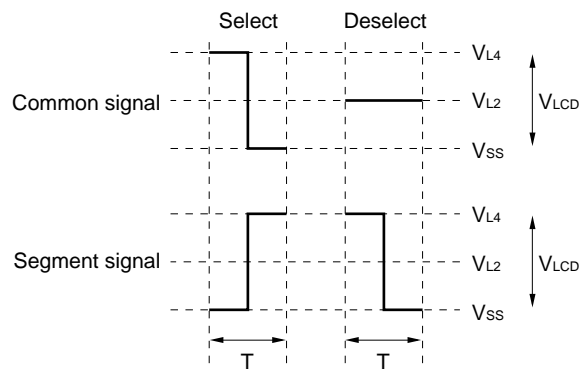
Figure 21-24. Voltages and Phases of Common and Segment Signals (1/3)

(a) Static display mode (waveform A)



T: One LCD clock period

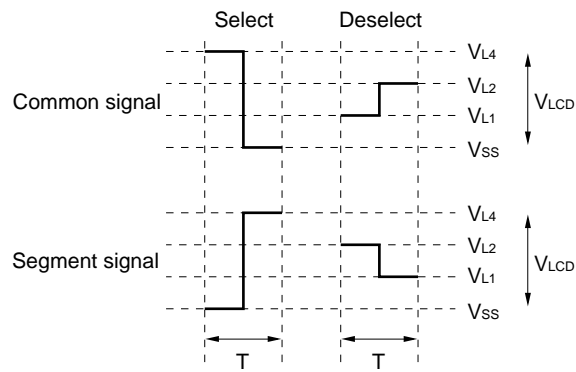
(b) 1/2 bias method (waveform A)



T: One LCD clock period

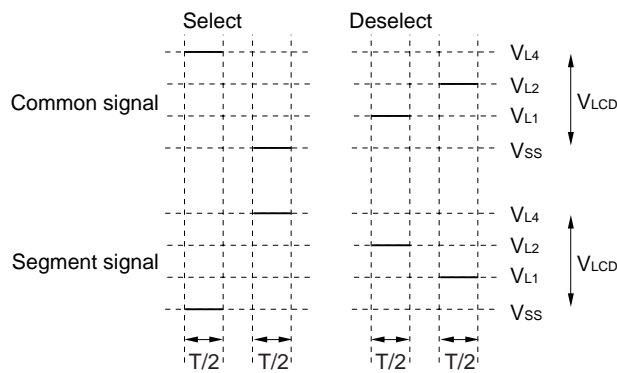
Figure 21-24. Voltages and Phases of Common and Segment Signals (2/3)

(c) 1/3 bias method (waveform A)



T: One LCD clock period

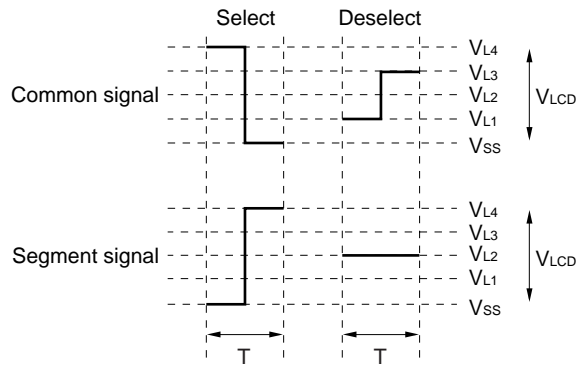
(d) 1/3 bias method (waveform B)



T: One LCD clock period

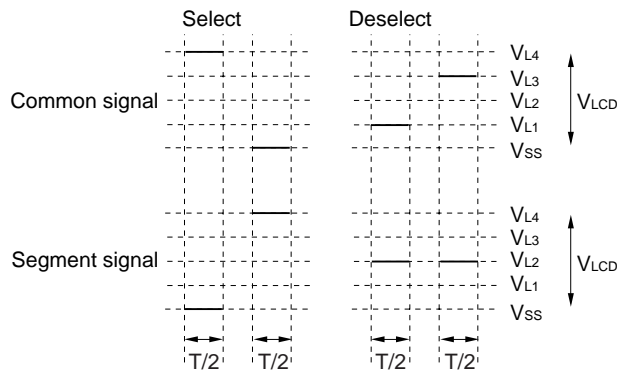
Figure 21-24. Voltages and Phases of Common and Segment Signals (3/3)

(e) 1/4 bias method (waveform A)



T: One LCD clock period

(f) 1/4 bias method (waveform B)



T: One LCD clock period

21.10 Display Modes

21.10.1 Static display example

Figure 21-26 shows how the three-digit LCD panel having the display pattern shown in Figure 21-25 is connected to the segment signals (SEG0 to SEG23) and the common signal (COM0). This example displays data “12.3” in the LCD panel. The contents of the display data register (F0400H to F0417H) correspond to this display.

The following description focuses on numeral “2.” (2.) displayed in the second digit. To display “2.” in the LCD panel, it is necessary to apply the select or deselect voltage to the SEG8 to SEG15 pins according to Table 21-14 at the timing of the common signal COM0; see Figure 21-25 for the relationship between the segment signals and LCD segments.

Table 21-14. Select and Deselect Voltages (COM0)

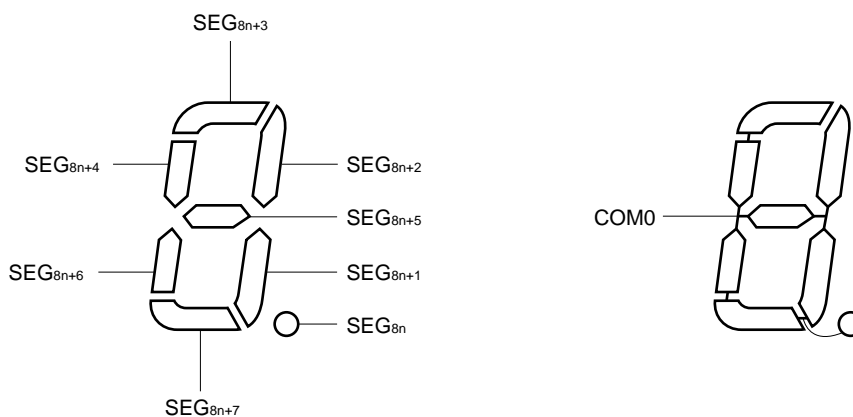
Segment	SEG8	SEG9	SEG10	SEG11	SEG12	SEG13	SEG14	SEG15
Common								
COM0	Select	Deselect	Select	Select	Deselect	Select	Select	Select

According to Table 21-14, it is determined that the bit-0 pattern of the display data register locations (F0408H to F040FH) must be 10110111.

Figure 21-27 shows the LCD drive waveforms of SEG11 and SEG12, and COM0. When the select voltage is applied to SEG11 at the timing of COM0, an alternate rectangle waveform, +V_{LCD}/–V_{LCD}, is generated to turn on the corresponding LCD segment.

COM1 to COM3 are supplied with the same waveform as for COM0. So, COM0 to COM3 may be connected together to increase the driving capacity.

Figure 21-25. Static LCD Display Pattern and Electrode Connections



Remark 100-pin products: n = 0 to 4

Figure 21-26. Example of Connecting Static LCD Panel

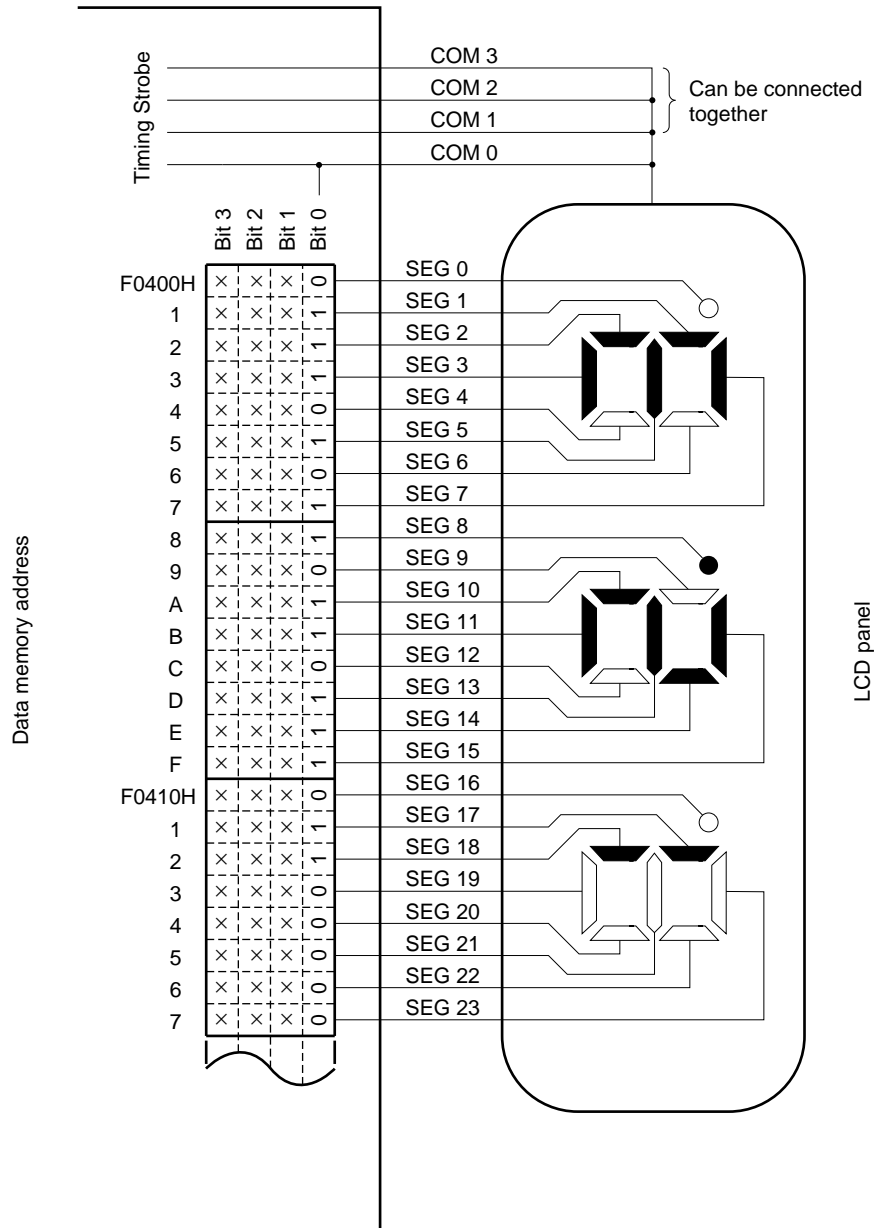
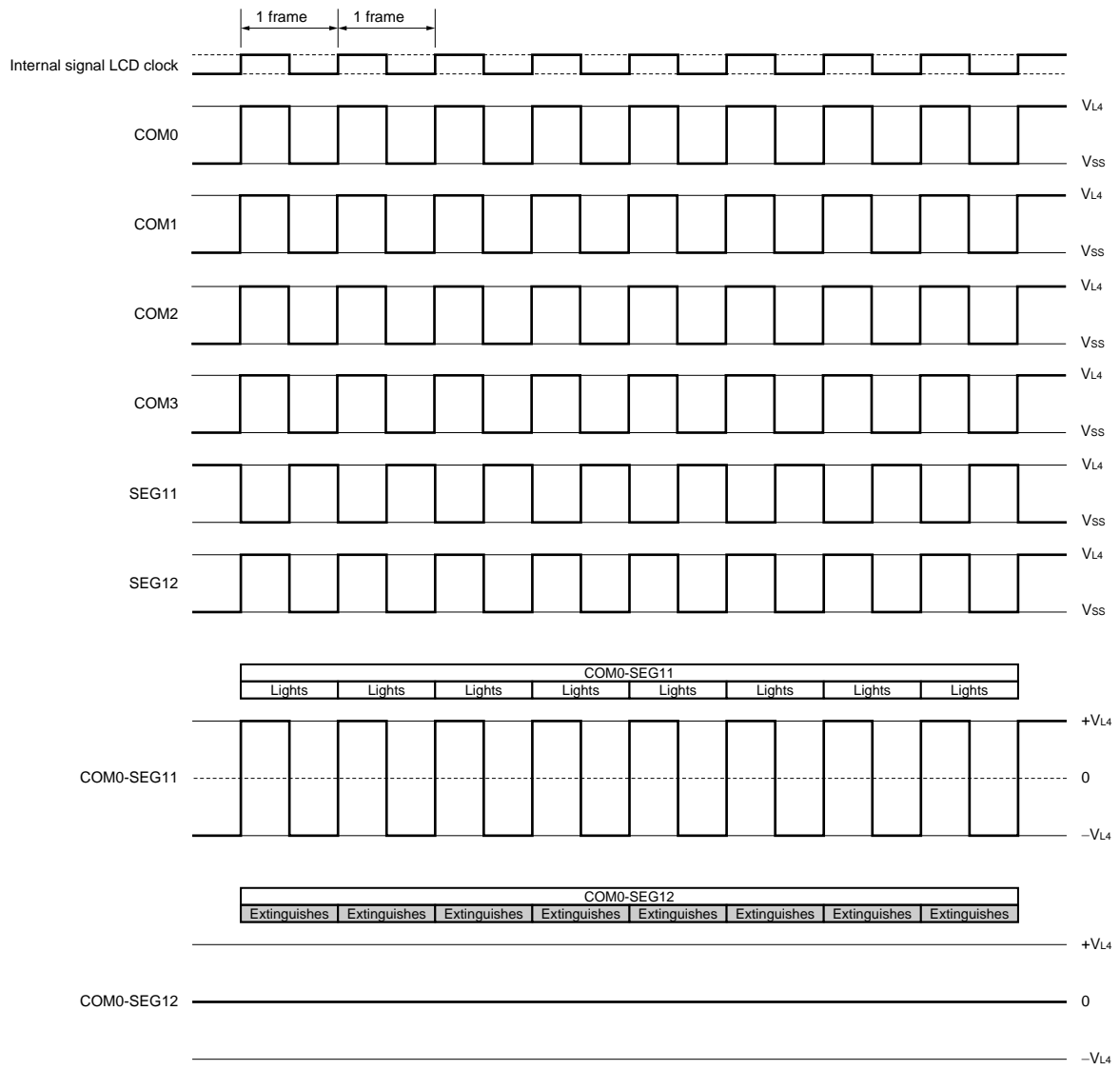


Figure 21-27. Static LCD Drive Waveform Examples for SEG11, SEG2, and COM0



21.10.2 Two-time-slice display example

Figure 21-29 shows how the 6-digit LCD panel having the display pattern shown in Figure 21-28 is connected to the segment signals (SEG0 to SEG23) and the common signals (COM0 and COM1). This example displays data “12345.6” in the LCD panel. The contents of the display data register (F0400H to F0417H) correspond to this display.

The following description focuses on numeral “3” (3) displayed in the fourth digit. To display “3” in the LCD panel, it is necessary to apply the select or deselect voltage to the SEG12 to SEG15 pins according to Table 21-15 at the timing of the common signals COM0 and COM1; see Figure 21-28 for the relationship between the segment signals and LCD segments.

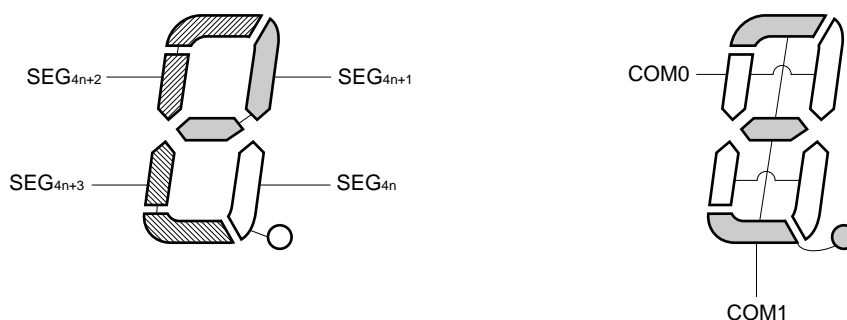
Table 21-15. Select and Deselect Voltages (COM0 and COM1)

Segment	SEG12	SEG13	SEG14	SEG15
Common				
COM0	Select	Select	Deselect	Deselect
COM1	Deselect	Select	Select	Select

According to Table 21-15, it is determined that the display data register location (F040FH) that corresponds to SEG15 must contain xx10.

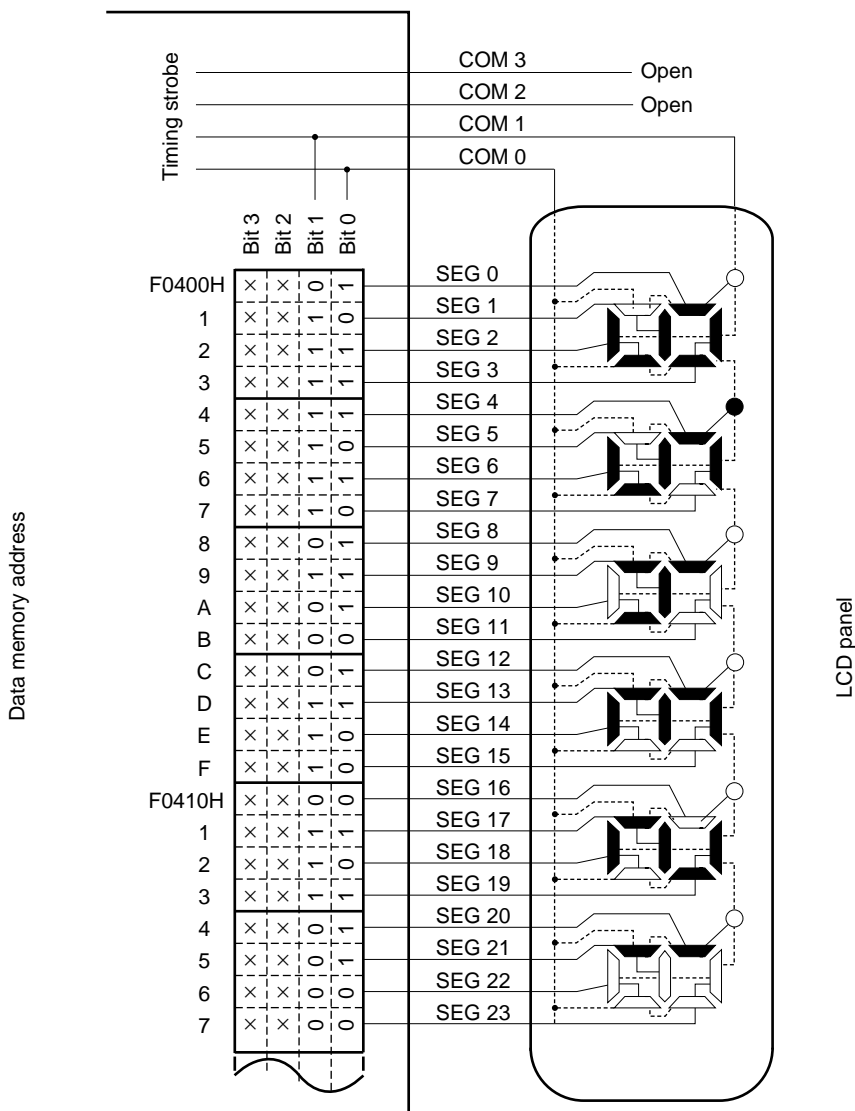
Figure 21-30 shows examples of LCD drive waveforms between the SEG15 signal and each common signal. When the select voltage is applied to SEG15 at the timing of COM1, an alternate rectangle waveform, +V_{LCD}/–V_{LCD}, is generated to turn on the corresponding LCD segment.

Figure 21-28. Two-Time-Slice LCD Display Pattern and Electrode Connections



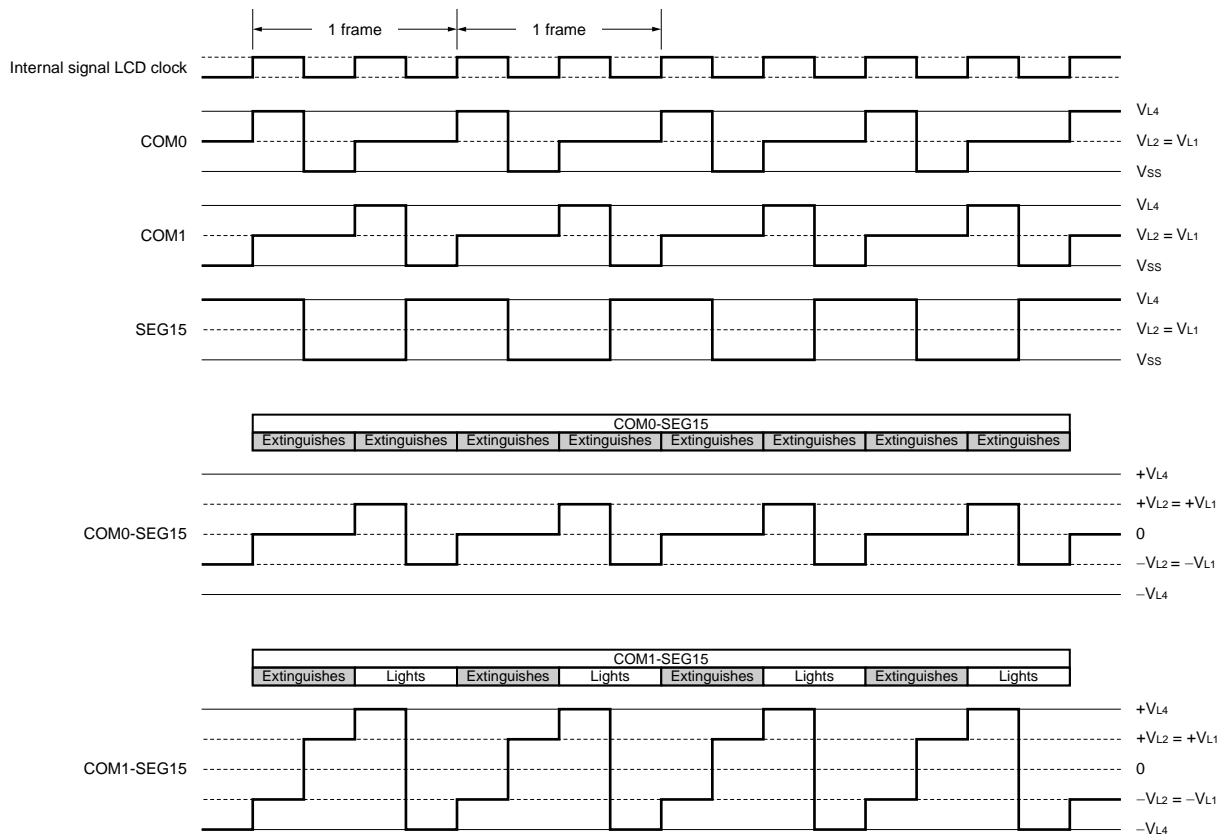
Remark 100-pin products: n = 0 to 9

Figure 21-29. Example of Connecting Two-Time-Slice LCD Panel



x: Can always be used to store any data because the two-time-slice mode is being used.

Figure 21-30. Two-Time-Slice LCD Drive Waveform Examples Between SEG15 and Each Common Signals (1/2 Bias Method)



21.10.3 Three-time-slice display example

Figure 21-32 shows how the 8-digit LCD panel having the display pattern shown in Figure 21-31 is connected to the segment signals (SEG0 to SEG23) and the common signals (COM0 to COM2). This example displays data “123456.78” in the LCD panel. The contents of the display data register (addresses F0400H to F0417H) correspond to this display.

The following description focuses on numeral “6.” (6.) displayed in the third digit. To display “6.” in the LCD panel, it is necessary to apply the select or deselect voltage to the SEG6 to SEG8 pins according to Table 21-16 at the timing of the common signals COM0 to COM2; see Figure 21-31 for the relationship between the segment signals and LCD segments.

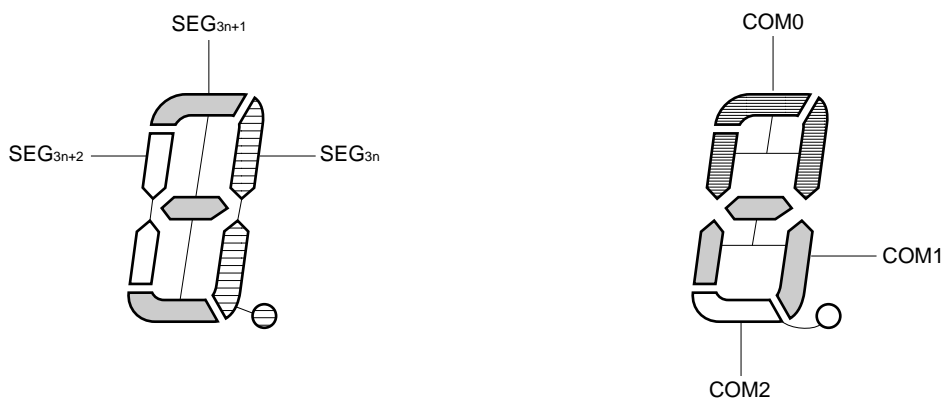
Table 21-16. Select and Deselect Voltages (COM0 to COM2)

Segment	SEG6	SEG7	SEG8
Common			
COM0	Deselect	Select	Select
COM1	Select	Select	Select
COM2	Select	Select	–

According to Table 21-16, it is determined that the display data register location (F0406H) that corresponds to SEG6 must contain x110.

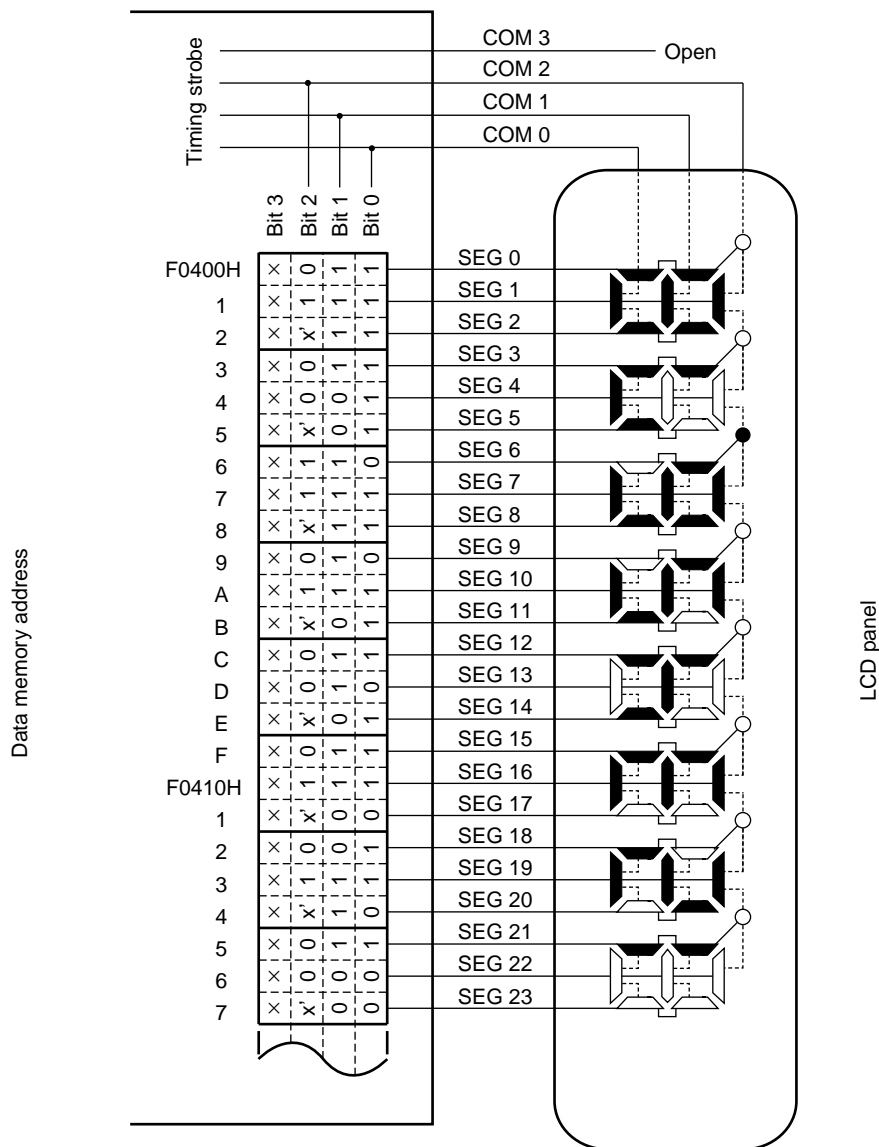
Figures 21-33 and 21-34 show examples of LCD drive waveforms between the SEG6 signal and each common signal in the 1/2 and 1/3 bias methods, respectively. When the select voltage is applied to SEG6 at the timing of COM1 or COM2, an alternate rectangle waveform, +V_{LCD}/–V_{LCD}, is generated to turn on the corresponding LCD segment.

Figure 21-31. Three-Time-Slice LCD Display Pattern and Electrode Connections



Remark 100-pin products: n = 0 to 13

Figure 21-32. Example of Connecting Three-Time-Slice LCD Panel



x': Can be used to store any data because there is no corresponding segment in the LCD panel.

x: Can always be used to store any data because the three-time-slice mode is being used.

Figure 21-33. Three-Time-Slice LCD Drive Waveform Examples Between SEG6 and Each Common Signals (1/2 Bias Method)

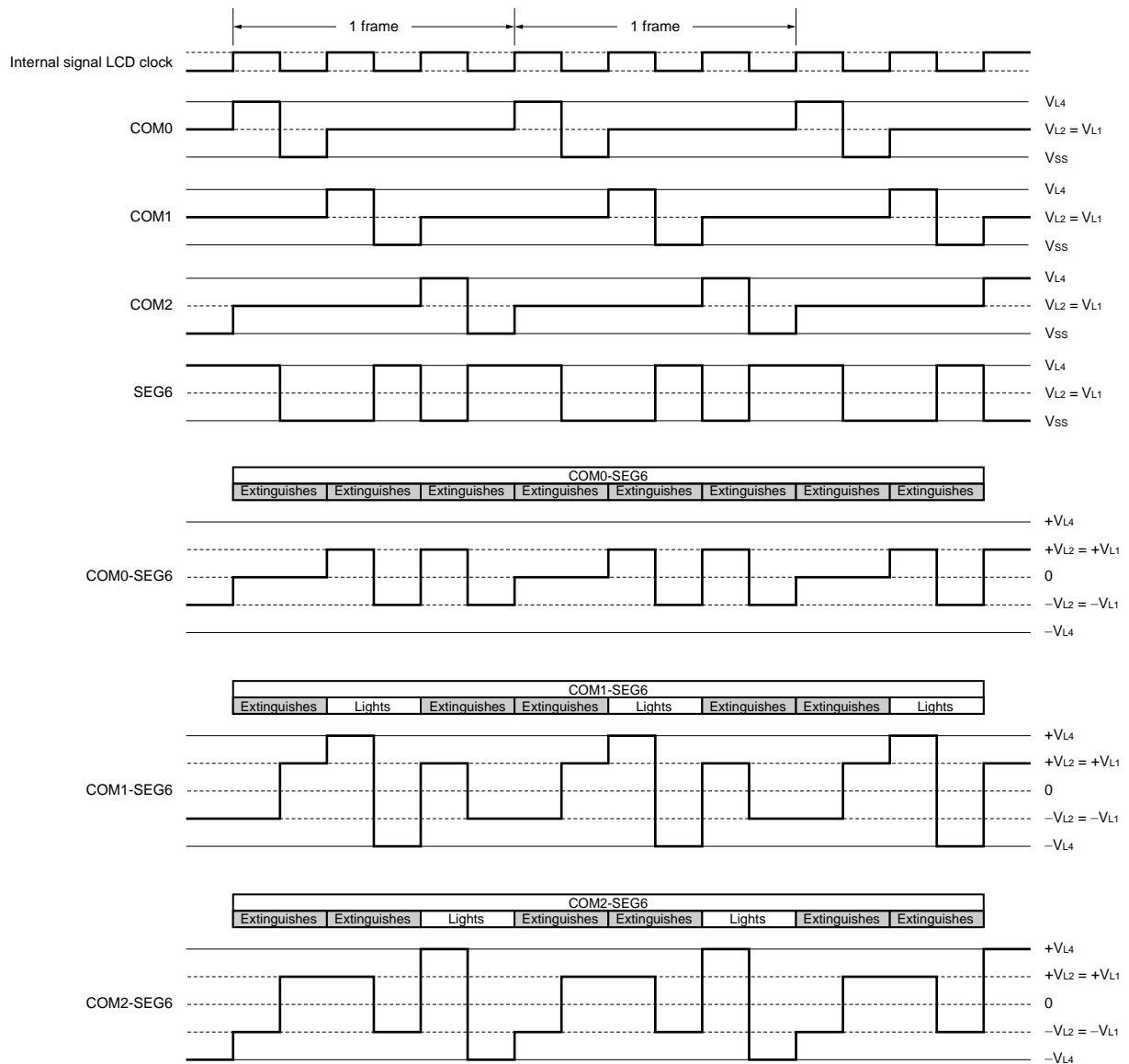
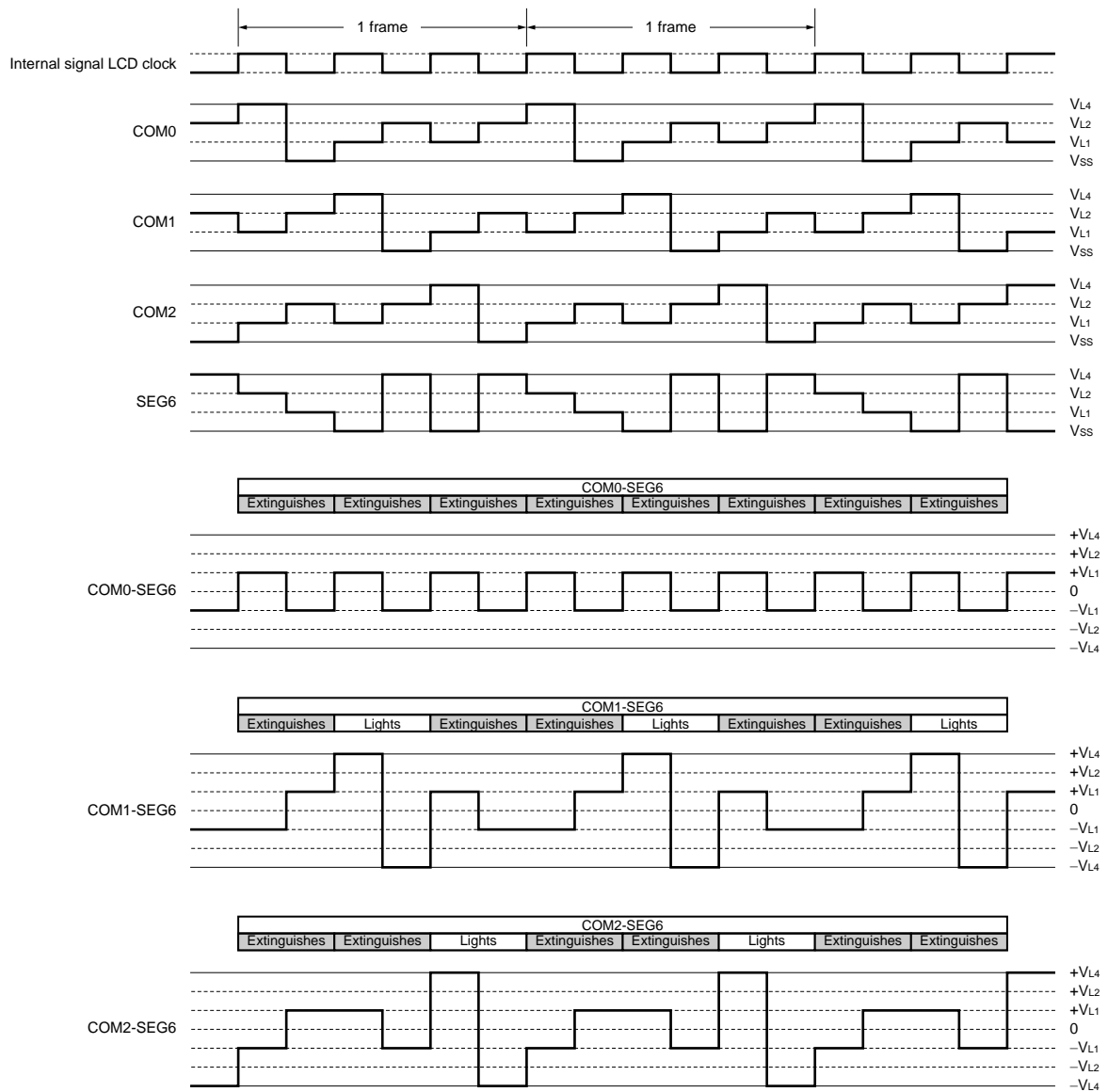


Figure 21-34. Three-Time-Slice LCD Drive Waveform Examples Between SEG6 and Each Common Signals (1/3 Bias Method)



21.10.4 Four-time-slice display example

Figure 21-36 shows how the 12-digit LCD panel having the display pattern shown in Figure 21-35 is connected to the segment signals (SEG0 to SEG23) and the common signals (COM0 to COM3). This example displays data “123456.789012” in the LCD panel. The contents of the display data register (addresses F0400H to F0417H) correspond to this display.

The following description focuses on numeral “6.” (6.) displayed in the seventh digit. To display “6.” in the LCD panel, it is necessary to apply the select or deselect voltage to the SEG12 and SEG13 pins according to Table 21-17 at the timing of the common signals COM0 to COM3; see Figure 21-35 for the relationship between the segment signals and LCD segments.

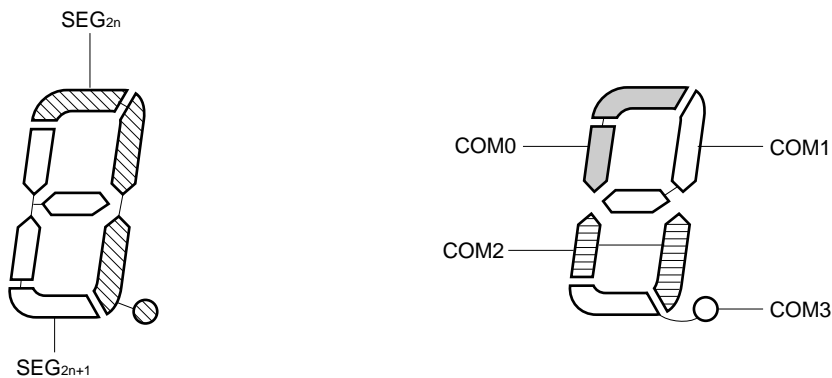
Table 21-17. Select and Deselect Voltages (COM0 to COM3)

Segment	SEG12	SEG13
Common		
COM0	Select	Select
COM1	Deselect	Select
COM2	Select	Select
COM3	Select	Select

According to Table 21-17, it is determined that the display data register location (F040CH) that corresponds to SEG12 must contain 1101.

Figure 21-37 shows examples of LCD drive waveforms between the SEG12 signal and each common signal. When the select voltage is applied to SEG12 at the timing of COM0, an alternate rectangle waveform, +V_{LCD}/–V_{LCD}, is generated to turn on the corresponding LCD segment.

Figure 21-35. Four-Time-Slice LCD Display Pattern and Electrode Connections



Remark 100-pin products: n = 0 to 20

Figure 21-36. Example of Connecting Four-Time-Slice LCD Panel

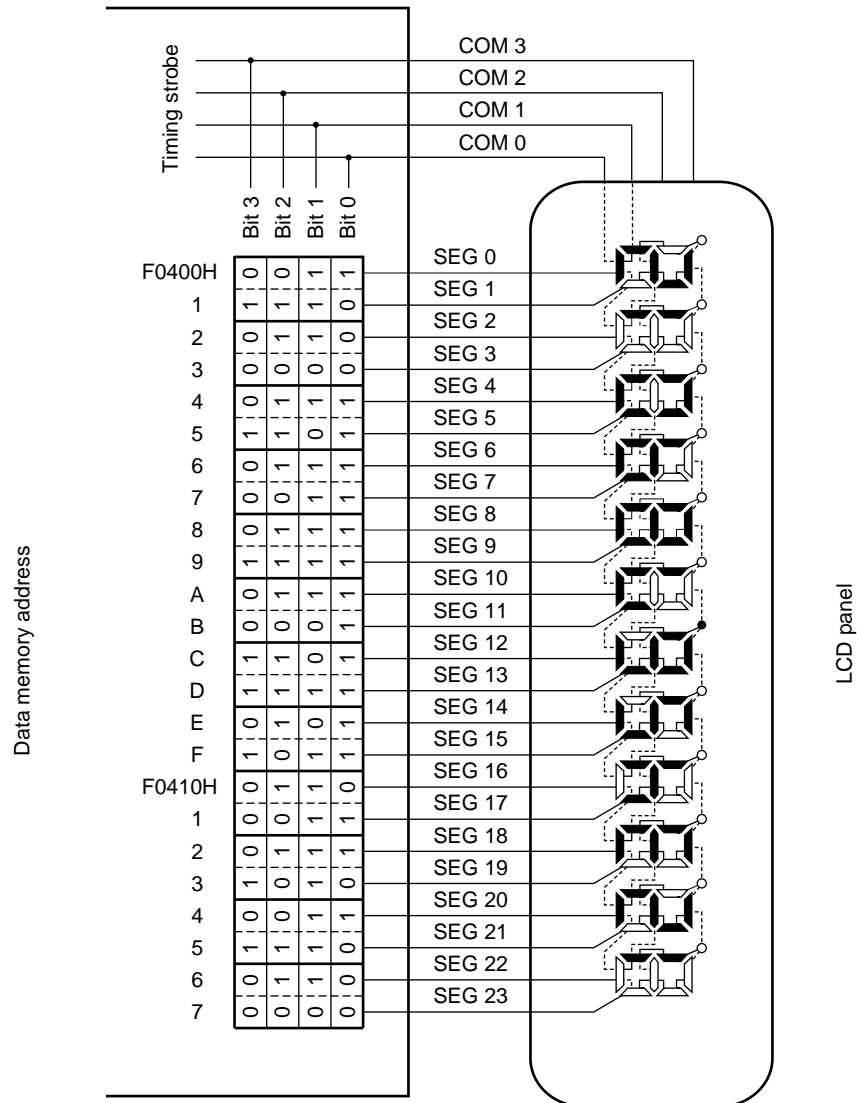


Figure 21-37. Four-Time-Slice LCD Drive Waveform Examples Between SEG12 and Each Common Signals (1/3 Bias Method) (1/2)

(a) Waveform A

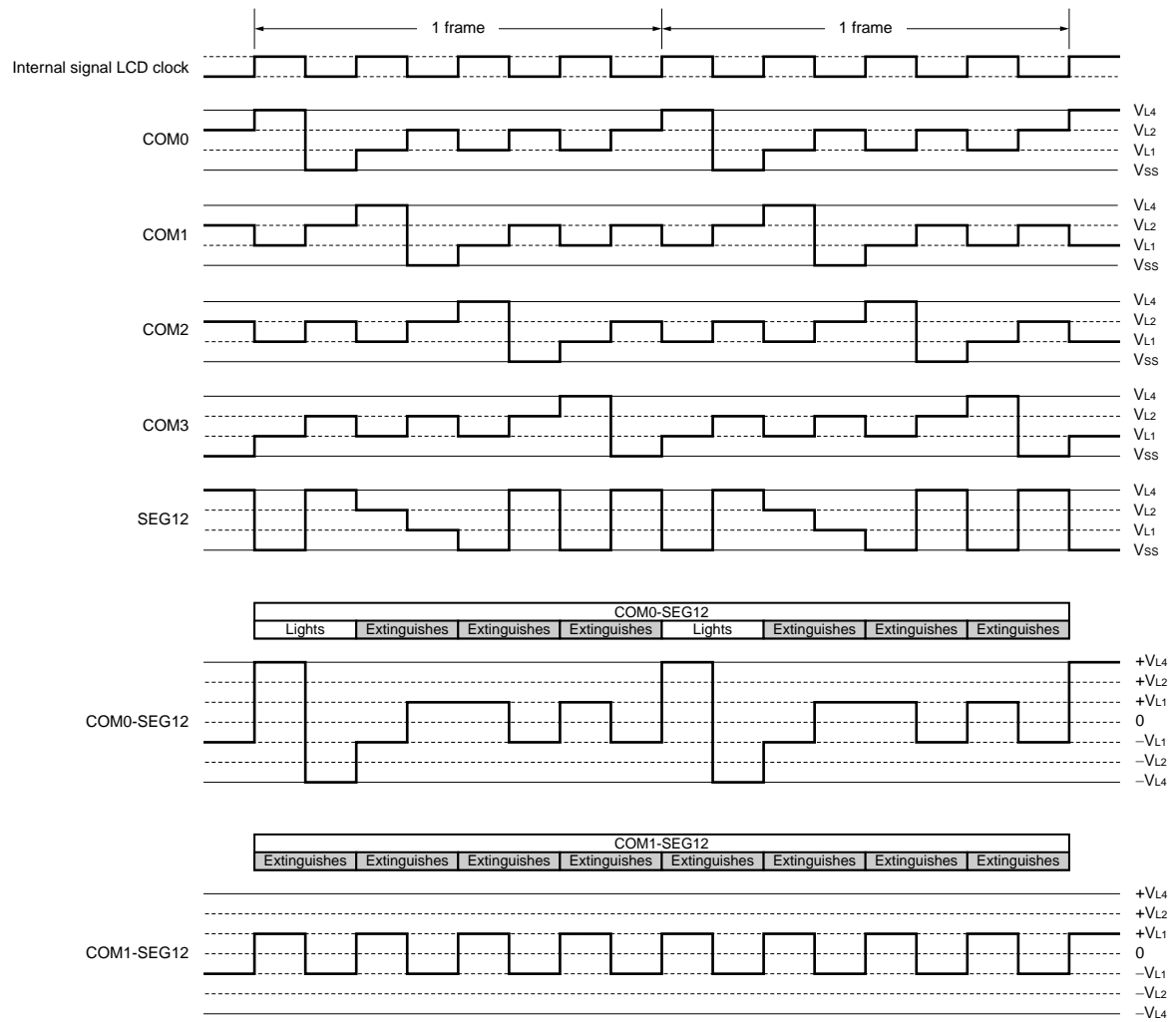
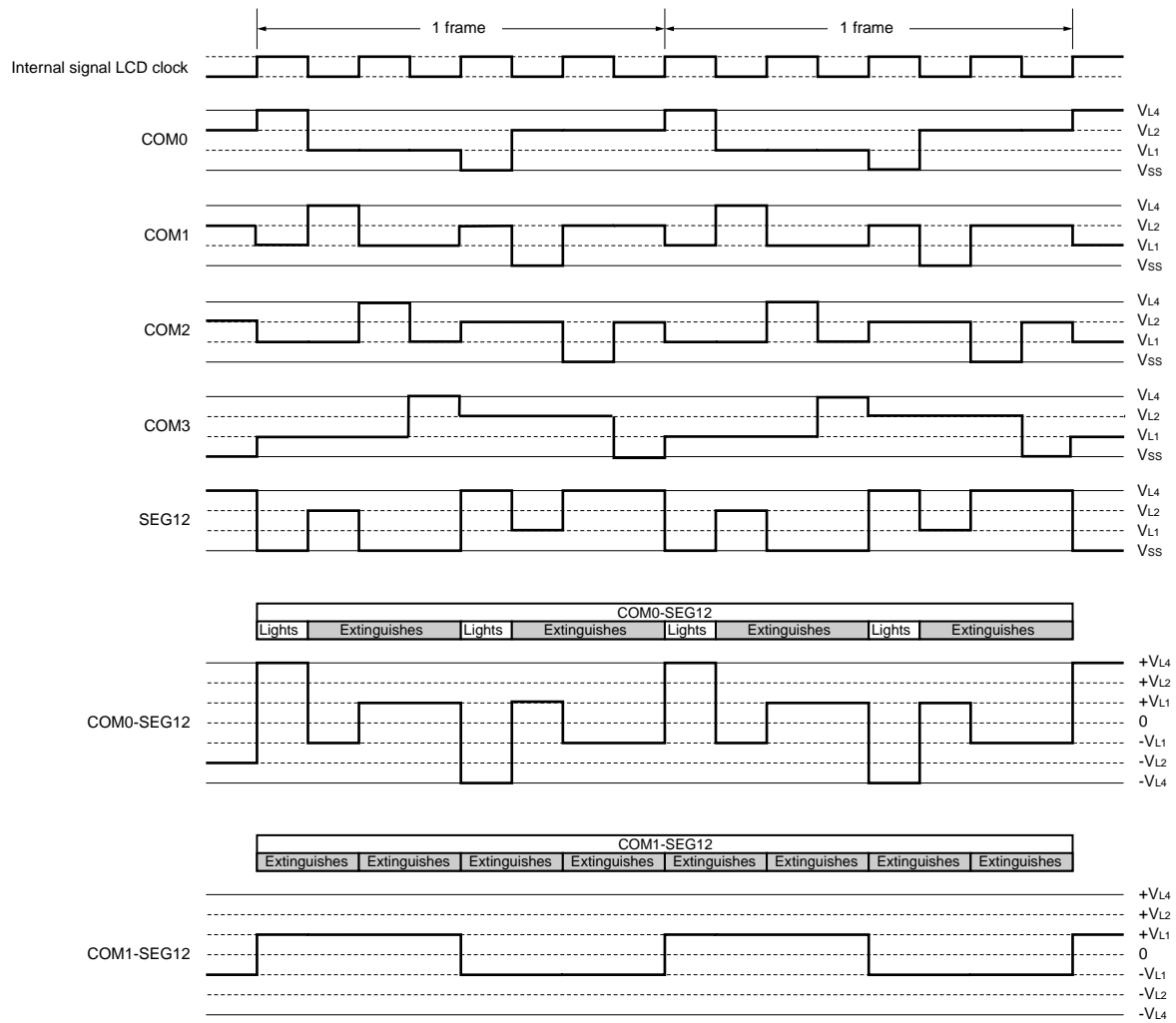


Figure 21-37. Four-Time-Slice LCD Drive Waveform Examples Between SEG12 and Each Common Signals (1/3 Bias Method) (2/2)

(b) Waveform B



21.10.5 Six-time-slice display example

Figure 21-39 shows how the 15x6 dot LCD panel having the display pattern shown in Figure 21-38 is connected to the segment signals (SEG2 to SEG16) and the common signals (COM0 to COM5). This example displays data “123” in the LCD panel. The contents of the display data register (addresses F0402H to F0410H) correspond to this display.

The following description focuses on numeral “3.” (3) displayed in the first digit. To display “3.” in the LCD panel, it is necessary to apply the select or deselect voltage to the SEG2 to SEG6 pins according to Table 21-18 at the timing of the common signals COM0 to COM5; see Figure 21-38 for the relationship between the segment signals and LCD segments.

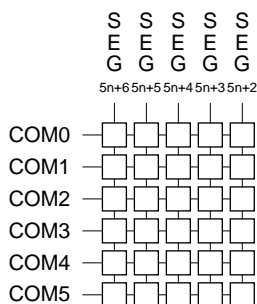
Table 21-18. Select and Deselect Voltages (COM0 to COM5)

Segment	SEG2	SEG3	SEG4	SEG5	SEG6
Common					
COM0	Select	Select	Select	Select	Select
COM1	Deselect	Select	Deselect	Deselect	Deselect
COM2	Deselect	Deselect	Select	Deselect	Deselect
COM3	Deselect	Select	Deselect	Deselect	Deselect
COM4	Select	Deselect	Deselect	Deselect	Select
COM5	Deselect	Select	Select	Select	Deselect

According to Table 21-18, it is determined that the display data register location (F0402H) that corresponds to SEG2 must contain 010001.

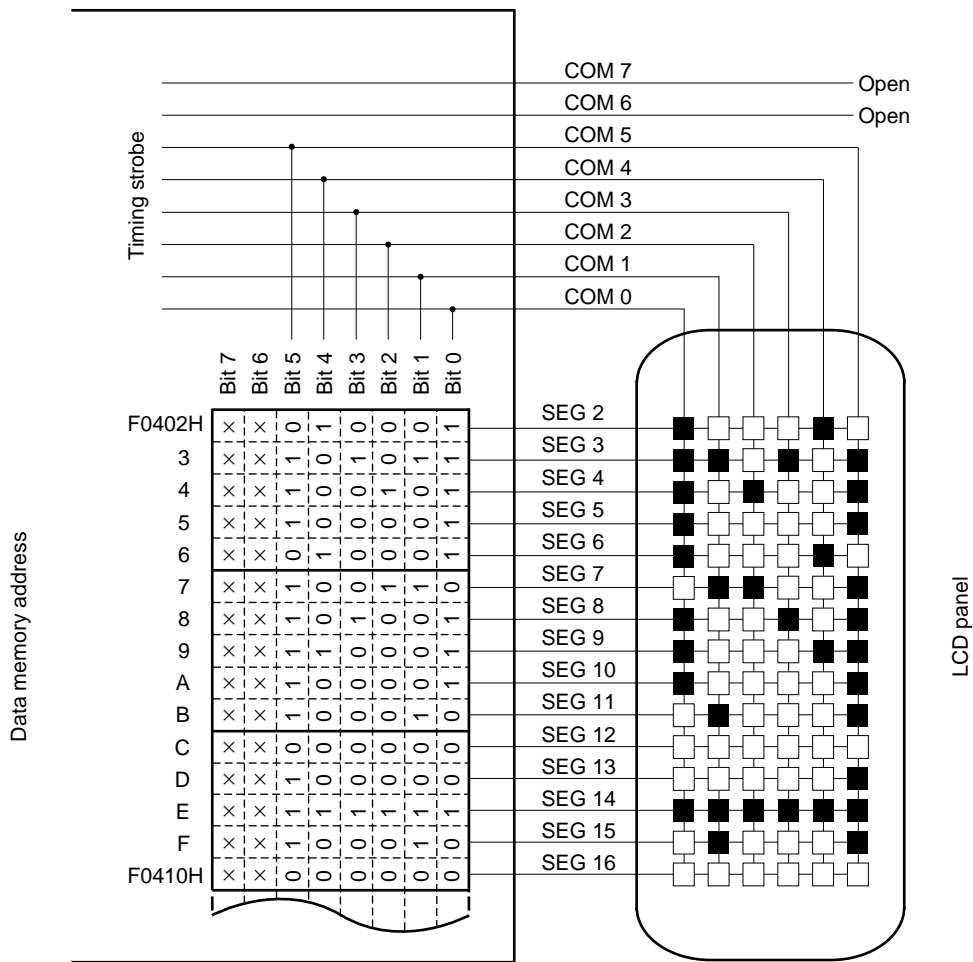
Figure 21-40 shows examples of LCD drive waveforms between the SEG2 signal and each common signal. When the select voltage is applied to SEG2 at the timing of COM0, a waveform is generated to turn on the corresponding LCD segment.

Figure 21-38. Six-Time-Slice LCD Display Pattern and Electrode Connections



Remark 100-pin products: n = 0 to 7

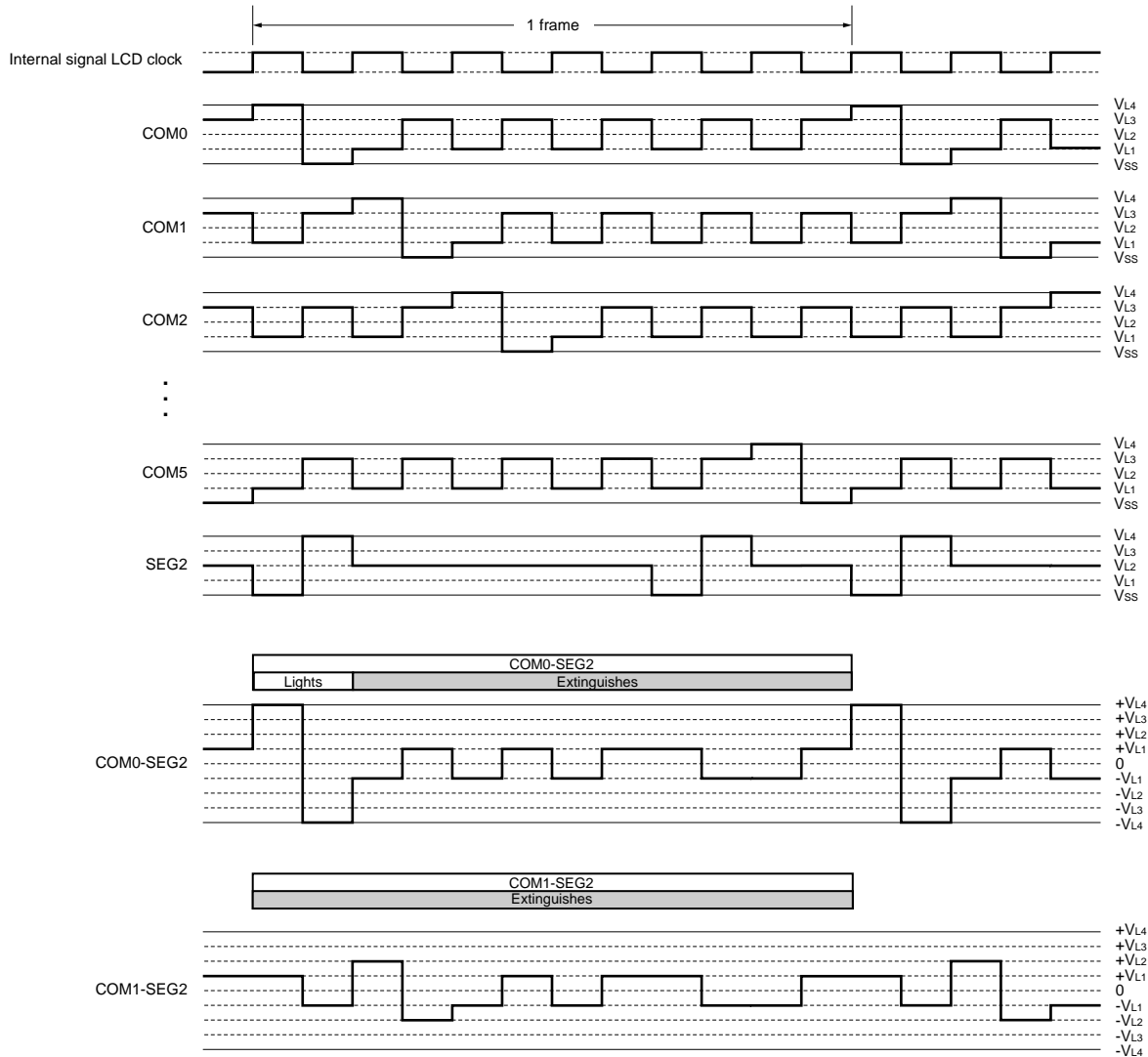
Figure 21-39. Example of Connecting Six-Time-Slice LCD Panel



x: Can always be used to store any data because the six-time-slice mode is being used.

Figure 21-40. Six-Time-Slice LCD Drive Waveform Examples Between SEG2 and Each Common Signals (1/4 Bias Method)

(a) Waveform A



21.10.6 Eight-time-slice display example

Figure 21-42 shows how the 15x8 dot LCD panel having the display pattern shown in Figure 21-41 is connected to the segment signals (SEG4 to SEG18) and the common signals (COM0 to COM7). This example displays data “123” in the LCD panel. The contents of the display data register (addresses F0404H to F0412H) correspond to this display.

The following description focuses on numeral “3.” (3) displayed in the first digit. To display “3.” in the LCD panel, it is necessary to apply the select or deselect voltage to the SEG4 to SEG8 pins according to Table 21-19 at the timing of the common signals COM0 to COM7; see Figure 21-41 for the relationship between the segment signals and LCD segments.

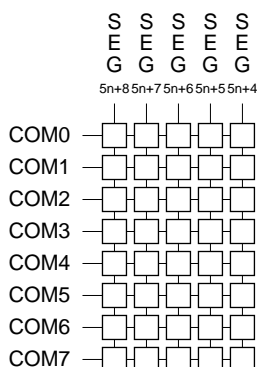
Table 21-19. Select and Deselect Voltages (COM0 to COM7)

Segment Common	SEG4	SEG5	SEG6	SEG7	SEG8
COM0	Select	Select	Select	Select	Select
COM1	Deselect	Select	Deselect	Deselect	Deselect
COM2	Deselect	Deselect	Select	Deselect	Deselect
COM3	Deselect	Select	Deselect	Deselect	Deselect
COM4	Select	Deselect	Deselect	Deselect	Deselect
COM5	Select	Deselect	Deselect	Deselect	Select
COM6	Deselect	Select	Select	Select	Deselect
COM7	Deselect	Deselect	Deselect	Deselect	Deselect

According to Table 21-19, it is determined that the display data register location (F0404H) that corresponds to SEG4 must contain 00110001.

Figure 21-43 shows examples of LCD drive waveforms between the SEG4 signal and each common signal. When the select voltage is applied to SEG4 at the timing of COM0, a waveform is generated to turn on the corresponding LCD segment.

Figure 21-41. Eight-Time-Slice LCD Display Pattern and Electrode Connections



Remark 100-pin products: n = 0 to 6

Figure 21-42. Example of Connecting Eight-Time-Slice LCD Panel

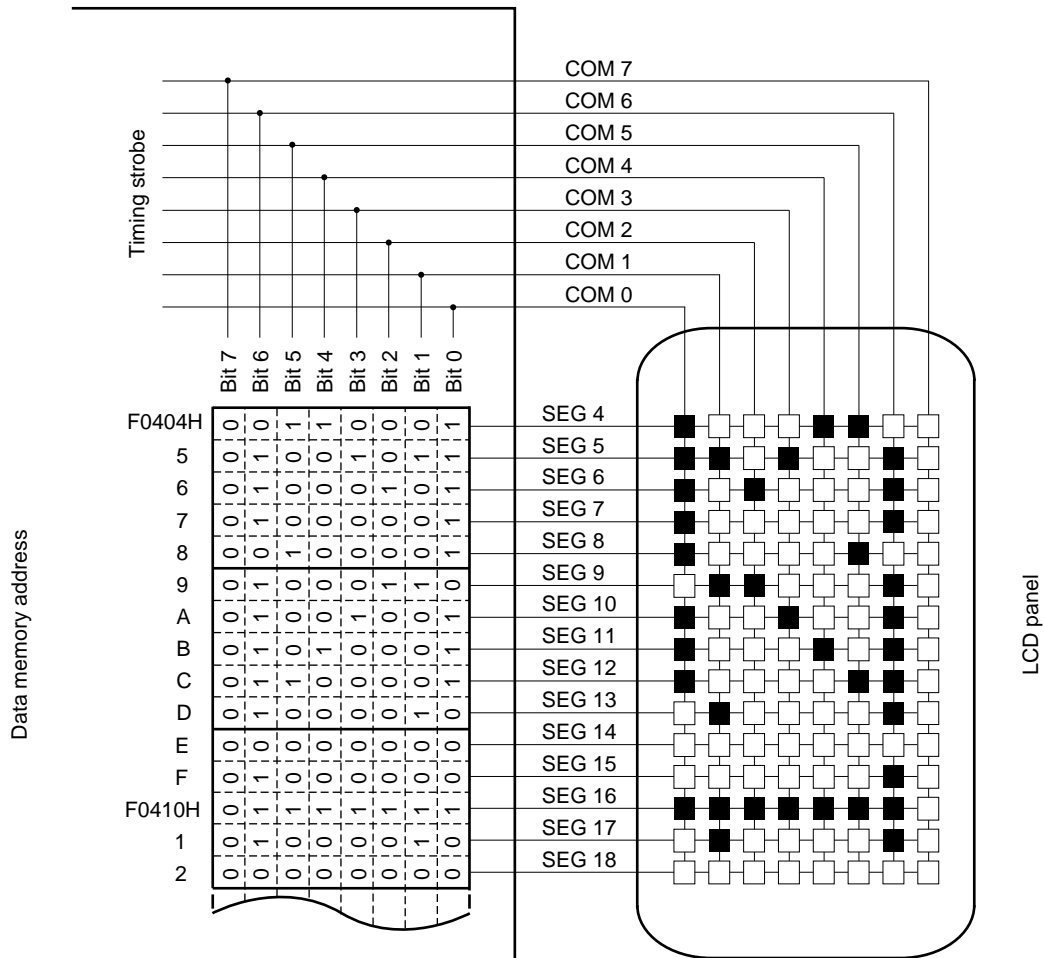


Figure 21-43. Eight-Time-Slice LCD Drive Waveform Examples Between SEG4 and Each Common Signals (1/4 Bias Method) (1/2)

(a) Waveform A

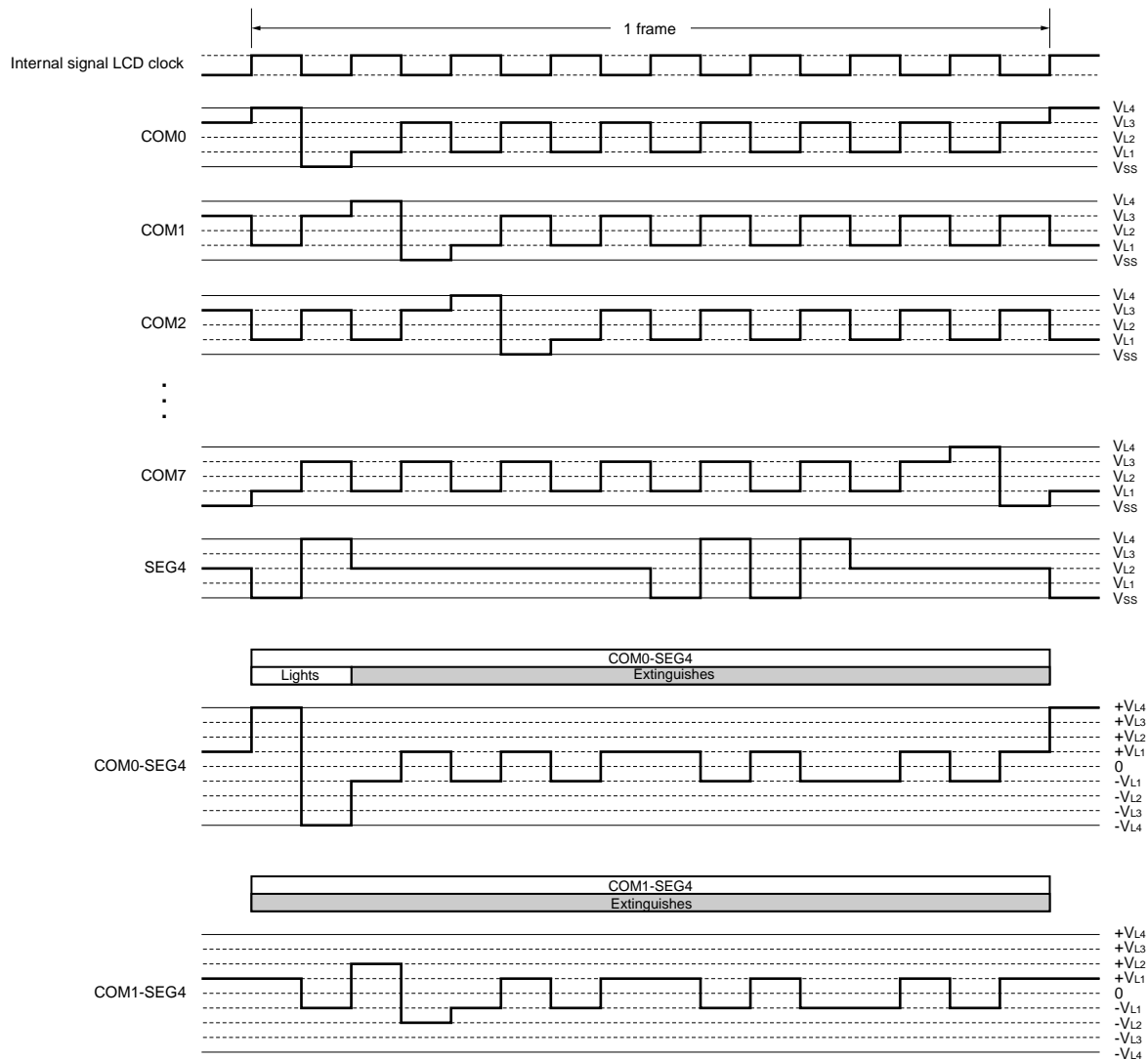
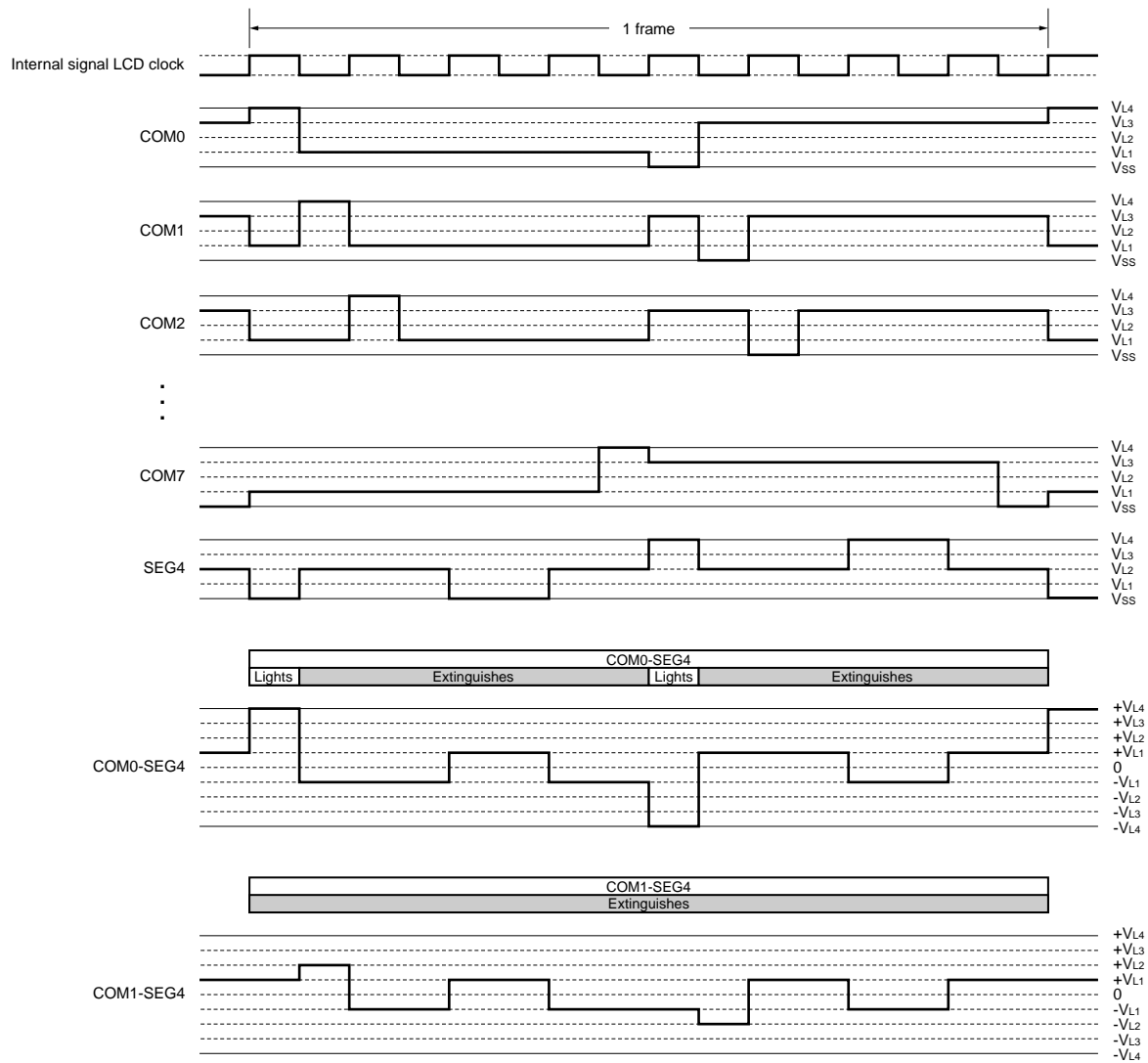


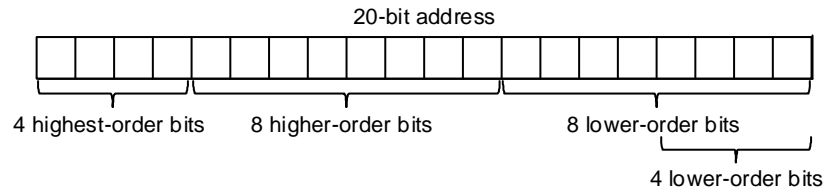
Figure 21-43. Eight-Time-Slice LCD Drive Waveform Examples Between SEG4 and Each Common Signals (1/4 Bias Method) (2/2)

(b) Waveform B



CHAPTER 22 DATA TRANSFER CONTROLLER (DTC)

<R> The term “8 higher-order bits of the address” in this chapter indicates bits 15 to 8 of 20-bit address as shown below.



Unless otherwise specified, the 4 highest-order address bits all become 1 (values are of the form FxxxxH).

22.1 Functions of DTC

The data transfer controller (DTC) is a function that transfers data between memories without using the CPU. The DTC is activated by a peripheral function interrupt to perform data transfers. The DTC and CPU use the same bus, and the DTC takes priority over the CPU in using the bus.

Table 22-1 lists the DTC specifications.

Table 22-1. DTC Specifications

Item		Specification
Activation sources		38 sources
Allocatable control data		24 sets
Address space which can be transferred	Address space	64 Kbytes (F0000H to FFFFFH), excluding general-purpose registers
	Sources	Special function register (SFR), RAM area (excluding general-purpose registers), mirror area ^{Note} , data flash memory area ^{Note} , extended special function register (2nd SFR)
	Destinations	Special function register (SFR), RAM area (excluding general-purpose registers), extended special function register (2nd SFR)
Maximum number of transfers	Normal mode	256 times
	Repeat mode	255 times
Maximum size of block to be transferred	Normal mode (8-bit transfer)	256 bytes
	Normal mode (16-bit transfer)	512 bytes
	Repeat mode	255 bytes
Unit of transfers		8 bits/16 bits
Transfer mode	Normal mode	Transfers end on completion of the transfer causing the DTCCTj register value to change from 1 to 0.
	Repeat mode	On completion of the transfer causing the DTCCTj register value to change from 1 to 0, the repeat area address is initialized and the DTRLdj register value is reloaded to the DTCCTj register to continue transfers.
Address control	Normal mode	Fixed or incremented
	Repeat mode	Addresses of the area not selected as the repeat area are fixed or incremented.
Priority of activation sources		See Table 22-5 DTC Activation Sources and Vector Addresses .
Interrupt request	Normal mode	When the data transfer causing the DTCCTj register value to change from 1 to 0 is performed, the activation source interrupt request is generated for the CPU, and interrupt handling is performed on completion of the data transfer.
	Repeat mode	When the data transfer causing the DTCCTj register value to change from 1 to 0 is performed while the RPTINT bit in the DTCCRj register is 1 (interrupt generation enabled), the activation source interrupt request is generated for the CPU, and interrupt handling is performed on completion of the transfer.
Transfer start		When bits DTCENi0 to DTCENi7 in the DTCENi registers are 1 (activation enabled), data transfer is started each time the corresponding DTC activation sources are generated.
Transfer stop	Normal mode	<ul style="list-style-type: none"> When bits DTCENi0 to DTCENi7 are set to 0 (activation disabled). When the data transfer causing the DTCCTj register value to change from 1 to 0 is completed.
	Repeat mode	<ul style="list-style-type: none"> When bits DTCENi0 to DTCENi7 are set to 0 (activation disabled). When the data transfer causing the DTCCTj register value to change from 1 to 0 is completed while the RPTINT bit is 1 (interrupt generation enabled).

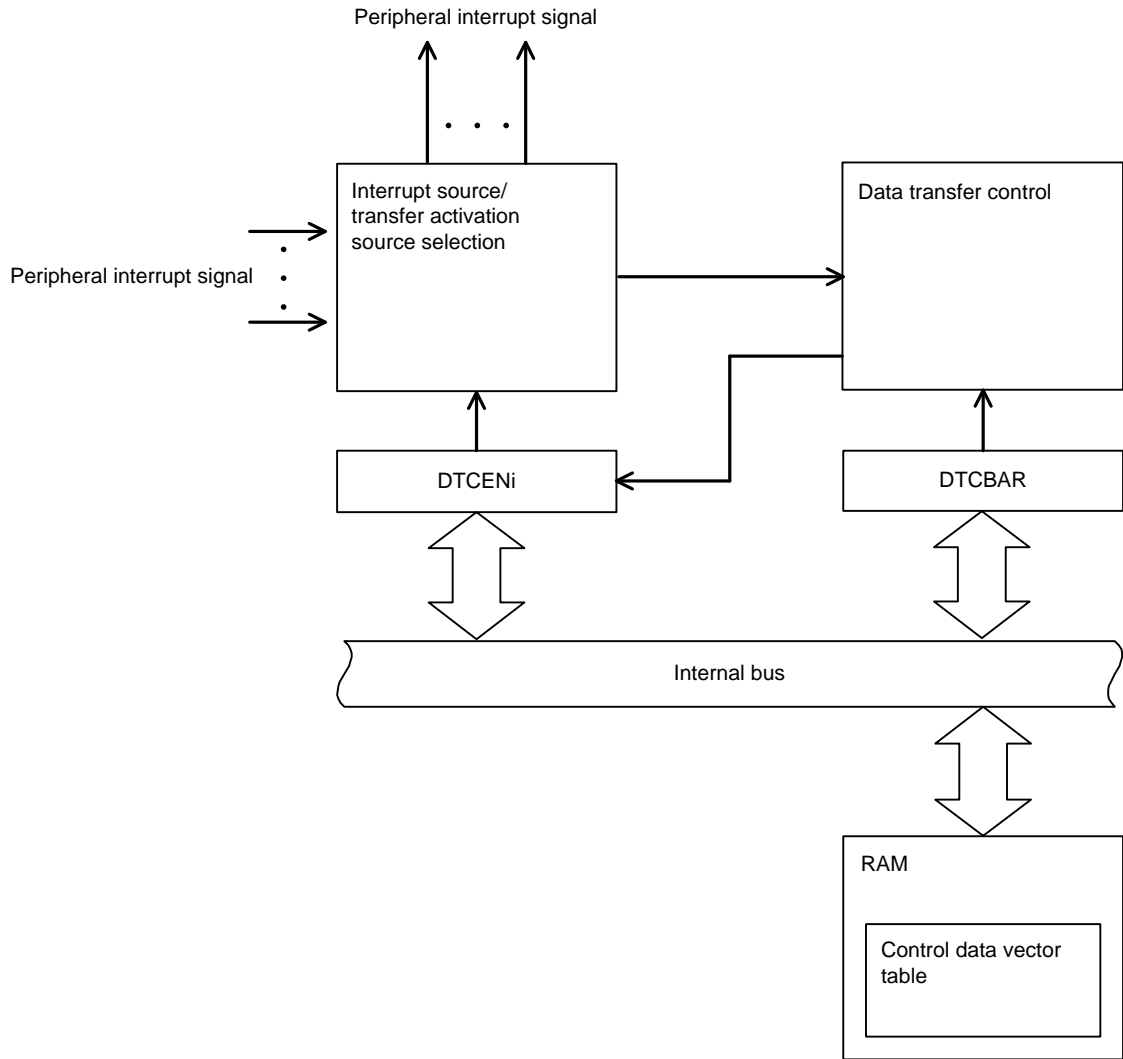
Note In the HALT and SNOOZE modes, these areas cannot be set as the sources for DTC transfer since the flash memory is stopped.

Remark i = 0 to 4, j = 0 to 23

22.2 Configuration of DTC

Figure 22-1 shows the DTC block diagram.

Figure 22-1. DTC Block Diagram



22.3 Registers Controlling DTC

Table 22-2 lists the registers controlling DTC.

Table 22-2. Registers Controlling DTC

Register Name	Symbol
Peripheral Enable Register 1	PER1
DTC Activation Enable Register 0	DTCEN0
DTC Activation Enable Register 1	DTCEN1
DTC Activation Enable Register 2	DTCEN2
DTC Activation Enable Register 3	DTCEN3
DTC Base Address Register	DTCBAR

Table 22-3 lists DTC control data.

DTC control data is allocated in the DTC control data area in RAM.

The DTCBAR register is used to set the 256-byte area, including the DTC control data area and the DTC vector table area where the start address for control data is stored.

Table 22-3. DTC Control Data

Register Name	Symbol
DTC Control Register j	DTCCRj
DTC Block Size Register j	DTBLSj
DTC Transfer Count Register j	DTCCTj
DTC Transfer Count Reload Register j	DTRLDj
DTC Source Address Register j	DTSARj
DTC Destination Address Register j	DTDARj

Remark j = 0 to 23

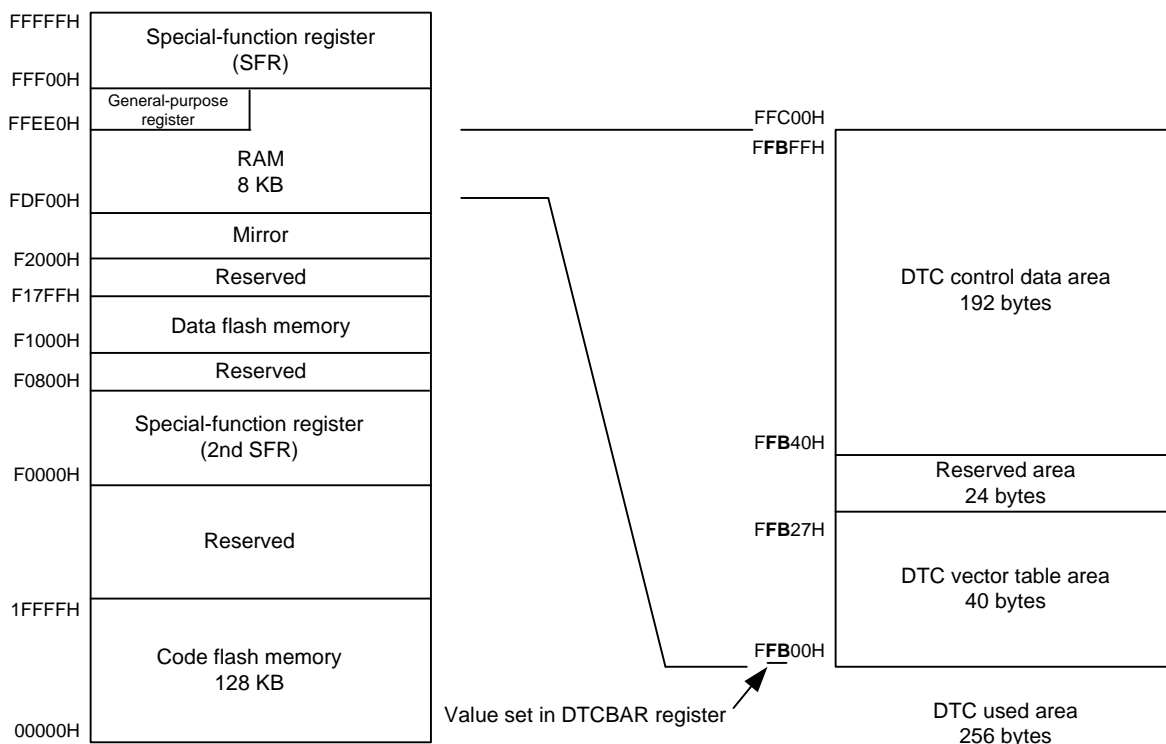
22.3.1 Allocation of DTC control data area and DTC vector table area

The DTCBAR register is used to set the 256-byte area where DTC control data and the vector table within the RAM area.

Figure 22-2 shows a memory map example when DTCBAR register is set to FBH.

In the 192-byte DTC control data area, the space not used by the DTC can be used as RAM.

<R> **Figure 22-2. Memory Map Example When DTCBAR Register Is Set to FBH (R5F10NPGDFB, R5F10NMGDFB, R5F10NLGDFB)**



The areas where the DTC control data and vector table can be allocated differ depending on the product.

Cautions 1. It is prohibited to use the general-purpose register (FFEE0H to FFEFFH) space as the DTC control data area or DTC vector table area.

2. Make sure the stack area, the DTC control data area, and the DTC vector table area do not overlap.

3. The internal RAM area in the following products cannot be used as the DTC control data area or DTC vector table area when using the self-programming and data-flash functions.

R5F10NMJ, R5F10NPJ: FBF00H to FC309H

R5F10NMG, R5F10NLG: FDF00H to FE309H

<R>

4. The internal RAM area of the following products cannot be used as the DTC control data area or DTC vector table area when using the trace function of on-chip debugging.

R5F10NMJ, R5F10NPJ: FC300H to FC6FFH

R5F10NMG, R5F10NLG: FE300H to FE6FFH

<R>

22.3.2 Control data allocation

Control data is allocated beginning with each start address in the order: Registers DTCCRj, DTBLSj, DTCCTj, DTRLDj, DTSARj, and DTDARj (j = 0 to 23).

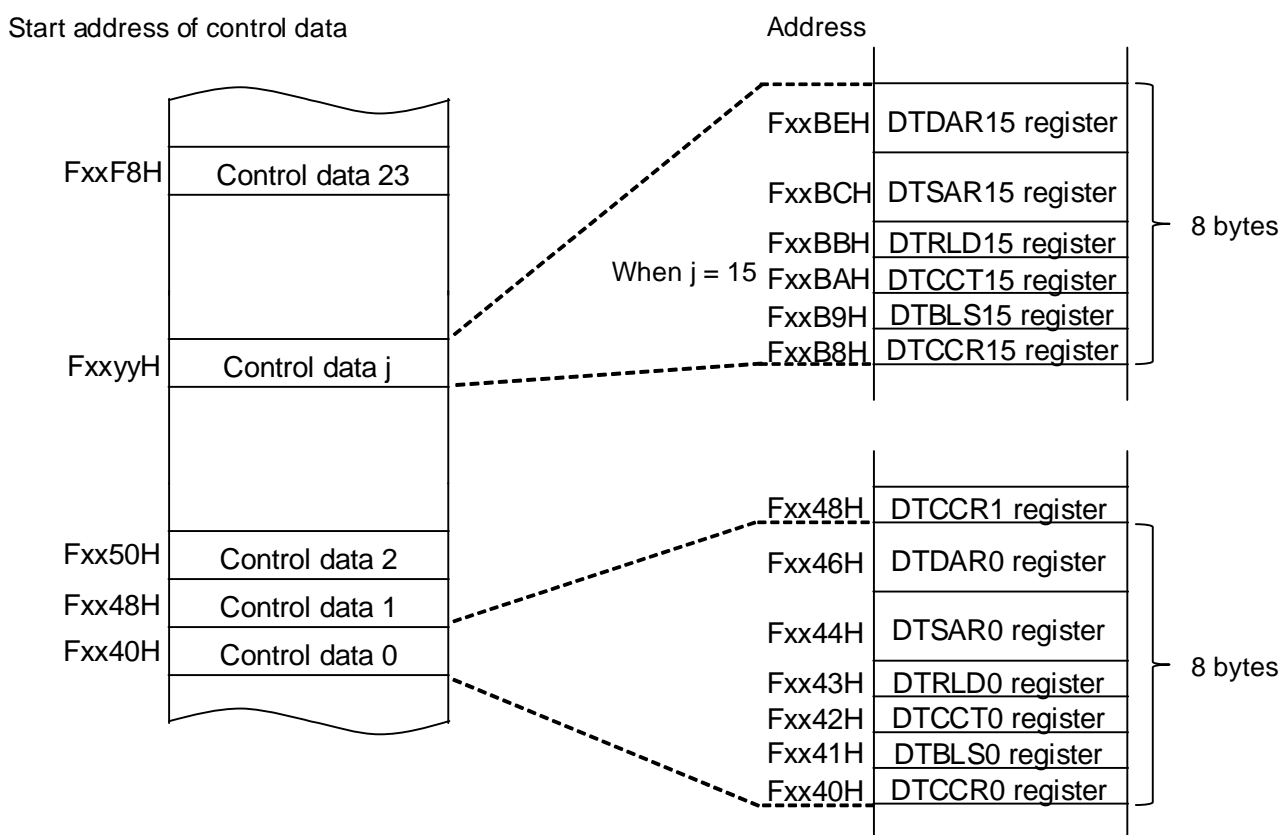
The higher 8 bits for start addresses 0 to 23 are set by the DTCBAR register, and the lower 8 bits are separately set according to the vector table assigned to each activation source.

Figure 22-3 shows control data allocation.

- Notes**
1. Change the data in registers DTCCRj, DTBLSj, DTCCTj, DTRLDj, DTSARj, and DTDARj when the corresponding bit among bits DTCENi0 to DTCENi7 (i = 0 to 4) in the DTCENi register is set to 0 (DTC activation disabled).
 2. Do not access DTCCRj, DTBLSj, DTCCTj, DTRLDj, DTSARj, or DTDARj using a DTC transfer.

<R>

Figure 22-3. Control Data Allocation



<R> **Remark** xx: Value set in DTCBAR register

<R>

Table 22-4. Start Address of Control Data

j	Address	j	Address
11	Fxx98H	23	FxxF8H
10	Fxx90H	22	FxxF0H
9	Fxx88H	21	FxxE8H
8	Fxx80H	20	FxxE0H
7	Fxx78H	19	FxxD8H
6	Fxx70H	18	FxxD0H
5	Fxx68H	17	FxxC8H
4	Fxx60H	16	FxxC0H
3	Fxx58H	15	FxxB8H
2	Fxx50H	14	FxxB0H
1	Fxx48H	13	FxxA8H
0	Fxx40H	12	FxxA0H

Remark xx: Value set in DTCBAR register

22.3.3 Vector table

When the DTC is activated, one control data is selected according to the data read from the vector table which has been assigned to each activation source, and the selected control data is read from the DTC control data area.

Table 22-5 lists the activation sources and vector addresses. A one byte of the vector table is assigned to each activation source, and data from 40H to F8H is stored in each area to select one of the 24 control data sets. The higher 8 bits for the vector address are set by the DTCBAR register, and 00H to 27H are allocated to the lower 8 bits corresponding to the activation source.

Note Change the start address of the DTC control data area to be set in the vector table when the corresponding bit among bits DTCENi0 to DTCENi7 (i = 0 to 4) in the DTCENi register is set to 0 (activation disabled).

<R>

Figure 22-4. Start Address of Control Data and Vector Table

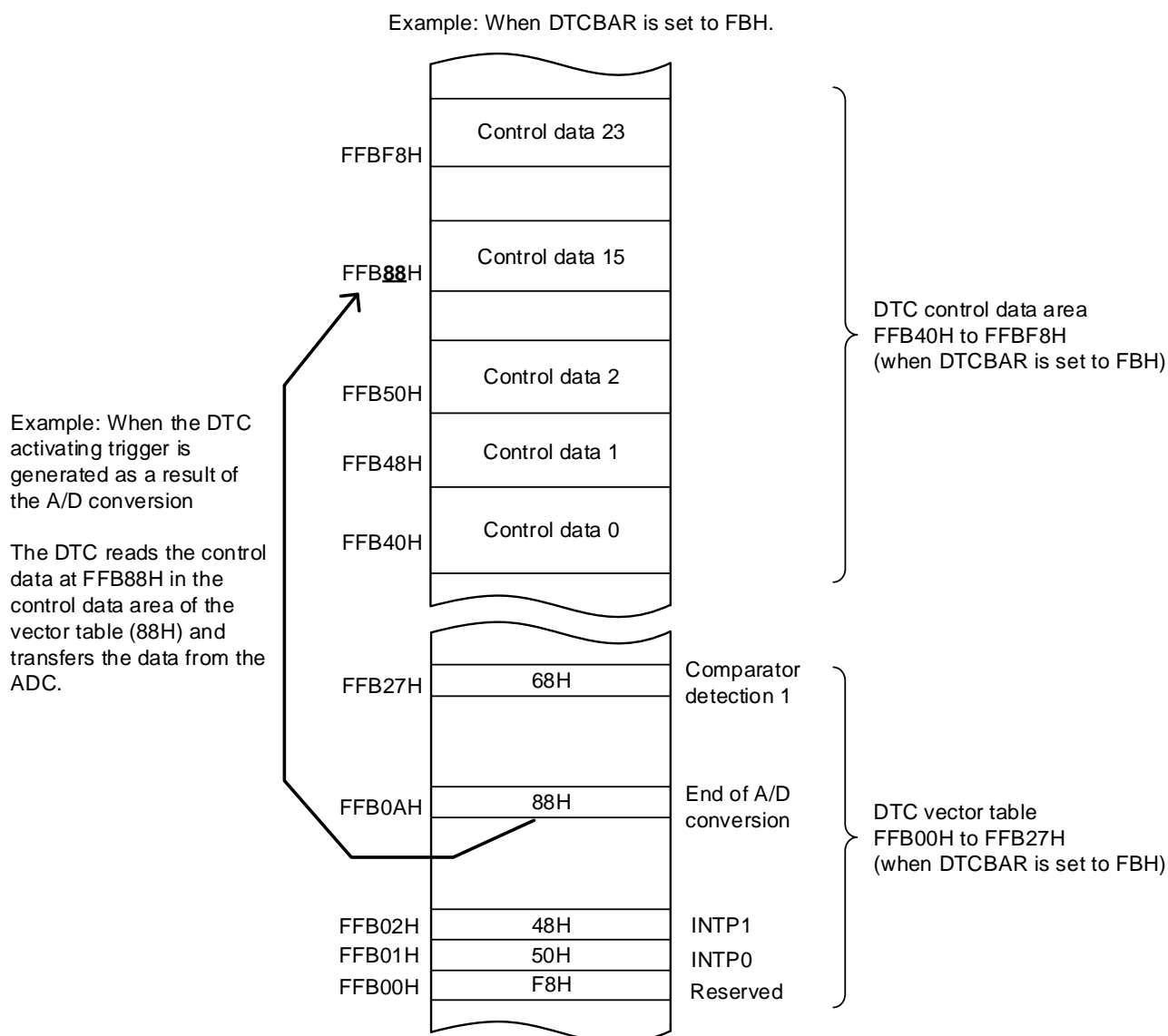



Table 22-5. DTC Activation Sources and Vector Addresses

Interrupt Request Source	Source No.	Vector Address	Priority
Reserved	0	Address set in DTCBAR register +00H	Highest  Low
INTP0	1	Address set in DTCBAR register +01H	
INTP1	2	Address set in DTCBAR register +02H	
INTP2	3	Address set in DTCBAR register +03H	
INTP3	4	Address set in DTCBAR register +04H	
INTP4	5	Address set in DTCBAR register +05H	
INTP5	6	Address set in DTCBAR register +06H	
INTP6	7	Address set in DTCBAR register +07H	
INTP7	8	Address set in DTCBAR register +08H	
Key return signal detection	9	Address set in DTCBAR register +09H	
24-bit $\Delta\Sigma$ -type A/D converter	10	Address set in DTCBAR register +0AH	
10-bit SAR-type A/D conversion end	11	Address set in DTCBAR register +0BH	
UART0 reception transfer end	12	Address set in DTCBAR register +0CH	
UART0 transmission transfer end/CSI00 transfer end or buffer empty/IIC00 transfer end	13	Address set in DTCBAR register +0DH	
UART1 reception transfer end	14	Address set in DTCBAR register +0EH	
UART1 transmission transfer end /CSI10 transfer end or buffer empty /IIC10 transfer end	15	Address set in DTCBAR register +0FH	
UART2 reception transfer end	16	Address set in DTCBAR register +10H	
UART2 transmission transfer end	17	Address set in DTCBAR register +11H	
UART3 reception transfer end ^{Note}	18	Address set in DTCBAR register +12H	
UART3 transmission transfer end/CSI30 transfer end or buffer empty/IIC30 transfer end ^{Note}	19	Address set in DTCBAR register +13H	
End of channel 0 of timer array unit 0 count or capture	20	Address set in DTCBAR register +14H	
End of channel 1 of timer array unit 0 count or capture	21	Address set in DTCBAR register +15H	
End of channel 2 of timer array unit 0 count or capture	22	Address set in DTCBAR register +16H	
End of channel 3 of timer array unit 0 count or capture	23	Address set in DTCBAR register +17H	
End of channel 4 of timer array unit 0 count or capture	24	Address set in DTCBAR register +18H	
End of channel 5 of timer array unit 0 count or capture	25	Address set in DTCBAR register +19H	
End of channel 6 of timer array unit 0 count or capture	26	Address set in DTCBAR register +1AH	
End of channel 7 of timer array unit 0 count or capture	27	Address set in DTCBAR register +1BH	
8-bit interval timer 00	28	Address set in DTCBAR register +1CH	
8-bit interval timer 01	29	Address set in DTCBAR register +1DH	
8-bit interval timer 10	30	Address set in DTCBAR register +1EH	
8-bit interval timer 11	31	Address set in DTCBAR register +1FH	
12-bit interval timer detection	32	Address set in DTCBAR register +20H	
AES encryption/decryption end	33	Address set in DTCBAR register +21H	
Zero-cross detection 0	34	Address set in DTCBAR register +22H	
Zero-cross detection 1	35	Address set in DTCBAR register +23H	
External interrupt (RTCIC0)	36	Address set in DTCBAR register +24H	
External interrupt (RTCIC1)	37	Address set in DTCBAR register +25H	
External interrupt (RTCIC2)	38	Address set in DTCBAR register +26H	
Reserved	39	Address set in DTCBAR register +27H	

Note 100-pin products only

22.3.4 Peripheral enable register 1 (PER1)

The PER1 register is used to enable or disable supplying the clock to the peripheral hardware. Clock supply to the hardware that is not used is also stopped so as to decrease the power consumption and noise.

When using the DTC, be sure to set bit 3 (DTCEN) to 1.

The PER1 register can be set by a 1-bit or 8-bit memory manipulation instruction.

Reset signal generation clears this register to 00H.

Figure 22-5. Format of Peripheral Enable Register 1 (PER1)

<R> Address: F00FAH After reset: 00H R/W

Symbol	7	<6>	5	4	<3>	2	1	<0>
PER1	0	FMCEN	0	0	DTCEN	0	0	DSADCEN

DTCEN	Control of DTC input clock supply
0	Stops input clock supply. • DTC cannot run.
1	Enables input clock supply. • DTC can run.

Caution Be sure to clear bits 7, 5, 4, 2 and 1 to “0”.

22.3.5 DTC control register j (DTCCRj) (j = 0 to 23)

The DTCCRj register is used to control the DTC operating mode.

Figure 22-6. Format of DTC Control Register j (DTCCRj)

Address: See 22.3.2 Control data allocation. After reset: Undefined R/W

Symbol	7	6	5	4	3	2	1	0
DTCCRj	0	SZ	RPTINT	CHNE	DAMOD	SAMOD	RPTSEL	MODE

SZ	Transfer data size selection
0	8 bits
1	16 bits

RPTINT	Enabling/disabling repeat mode interrupts
0	Interrupt generation disabled
1	Interrupt generation enabled
The setting of the RPTINT bit is invalid when the MODE bit is 0 (normal mode).	

CHNE	Enabling/disabling chain transfers
0	Chain transfers disabled
1	Chain transfers enabled
Set the CHNE bit in the DTCCR23 register to 0 (chain transfers disabled).	

DAMOD	Transfer destination address control
0	Fixed
1	Incremented
The setting of the DAMOD bit is invalid when the MODE bit is 1 (repeat mode) and the RPTSEL bit is 0 (transfer destination is the repeat area).	

SAMOD	Transfer source address control
0	Fixed
1	Incremented
The setting of the SAMOD bit is invalid when the MODE bit is 1 (repeat mode) and the RPTSEL bit is 1 (transfer source is the repeat area).	

RPTSEL	Repeat area selection
0	Transfer destination is the repeat area
1	Transfer source is the repeat area
The setting of the RPTSEL bit is invalid when the MODE bit is 0 (normal mode).	

MODE	Transfer mode selection
0	Normal mode
1	Repeat mode

Caution Do not access the DTCCRj register using a DTC transfer.

22.3.6 DTC block size register j (DTBLSj) (j = 0 to 23)

This register is used to set the block size of the data to be transferred by one activation.

Figure 22-7. Format of DTC Block Size Register j (DTBLSj)

Address: See **22.3.2 Control data allocation**. After reset: Undefined R/W

Symbol	7	6	5	4	3	2	1	0
DTBLSj	DTBLSj7	DTBLSj6	DTBLSj5	DTBLSj4	DTBLSj3	DTBLSj2	DTBLSj1	DTBLSj0

DTBLSj	Transfer block size	
	8-bit transfer	16-bit transfer
00H	256 bytes	512 bytes
01H	1 byte	2 bytes
02H	2 bytes	4 bytes
03H	3 bytes	6 bytes
...
FDH	253 bytes	506 bytes
FEH	254 bytes	508 bytes
FFH	255 bytes	510 bytes

Caution Do not access the DTBLSj register using a DTC transfer.

22.3.7 DTC transfer count register j (DTCCTj) (j = 0 to 23)

This register is used to set the number of DTC data transfers. The value is decremented by 1 each time DTC transfer is activated once.

Figure 22-8. Format of DTC Transfer Count Register j (DTCCTj)

Address: See **22.3.2 Control data allocation**. After reset: Undefined R/W

Symbol	7	6	5	4	3	2	1	0
DTCCTj	DTCCTj7	DTCCTj6	DTCCTj5	DTCCTj4	DTCCTj3	DTCCTj2	DTCCTj1	DTCCTj0

DTCCTj	Number of transfers
00H	256 times
01H	Once
02H	2 times
03H	3 times
...	...
FDH	253 times
FEH	254 times
FFH	255 times

Caution Do not access the DTCCTj register using a DTC transfer.

22.3.8 DTC transfer count reload register j (DTRLDj) (j = 0 to 23)

This register is used to set the initial value of the transfer count register in repeat mode. Since the value of this register is reloaded to the DTCCT register in repeat mode, set the same value as the initial value of the DTCCT register.

Figure 22-9. Format of DTC Transfer Count Reload Register j (DTRLDj)

Address: See **22.3.2 Control data allocation**. After reset: Undefined R/W

Symbol	7	6	5	4	3	2	1	0
DTRLDj	DTRLDj7	DTRLDj6	DTRLDj5	DTRLDj4	DTRLDj3	DTRLDj2	DTRLDj1	DTRLDj0

Caution Do not access the DTRLDj register using a DTC transfer.

22.3.9 DTC source address register j (DTSARj) (j = 0 to 23)

This register is used to specify the transfer source address for data transfer.

When the SZ bit in the DTCCRj register is set to 1 (16-bit transfer), the lowest bit is ignored and the address is handled as an even address.

Figure 22-10. Format of DTC Source Address Register j (DTSARj)

Address: See **22.3.2 Control data allocation**. After reset: Undefined R/W

	15	14	13	12	11	10	9	8	7	6	5	4	3	2	1	0
DTSARj	DTSA Rj15	DTSA Rj14	DTSA Rj13	DTS ARj12	DTS ARj11	DTSA Rj10	DTS ARj9	DTS ARj8	DTS ARj7	DTS ARj6	DTS ARj5	DTS ARj4	DTS ARj3	DTS ARj2	DTS ARj1	DTS ARj0

- Cautions**
1. Do not set the general-purpose register (FFEE0H to FFEFFH) space to the transfer source address.
 2. Do not access the DTSARj register using a DTC transfer.

22.3.10 DTC destination address register j (DTDARj) (j = 0 to 23)

This register is used to specify the transfer destination address for data transfer.

When the SZ bit in the DTCCRj register is set to 1 (16-bit transfer), the lowest bit is ignored and the address is handled as an even address.

Figure 22-11. Format of DTC Destination Address Register j (DTDARj)

Address: See **22.3.2 Control data allocation**. After reset: Undefined R/W

	15	14	13	12	11	10	9	8	7	6	5	4	3	2	1	0
DTDARj	DTDA Rj15	DTD ARj14	DTD ARj13	DTDA Rj12	DTDA Rj11	DTD ARj10	DTD ARj9	DTD ARj8	DTD ARj7	DTD ARj6	DTD ARj5	DTD ARj4	DTD ARj3	DTD ARj2	DTD ARj1	DTD ARj0

- Cautions**
1. Do not set the general-purpose register (FFEE0H to FFEFFH) space to the transfer source address.
 2. Do not access the DTDARj register using a DTC transfer.

22.3.11 DTC activation enable register i (DTCENi) (i = 0 to 4)

This is an 8-bit register which enables or disables DTC activation by interrupt sources. Table 22-6 lists the correspondence between interrupt sources and bits DTCENi0 to DTCENi7.

<R> The DTCENi register can be set by an 8-bit memory manipulation instruction or a 1-bit memory manipulation instruction.

- Notes 1.** Modify bits DTCENi0 to DTCENi7 if an activation source corresponding to the bit has not been generated.
- 2.** Do not access the DTCENi register using a DTC transfer.

Figure 22-12. DTC Activation Enable Register i (DTCENi) (i = 0 to 4)

Address: F02E8H (DTCEN0), F02E9H (DTCEN1), F02EAH (DTCEN2), F02EBH (DTCEN3), F02ECH (DTCEN4) After reset: 00H R/W

Symbol	<7>	<6>	<5>	<4>	<3>	<2>	<1>	<0>
DTCENi	DTCENi7	DTCENi6	DTCENi5	DTCENi4	DTCENi3	DTCENi2	DTCENi1	DTCENi0

DTCENi7	DTC activation enable i7
0	Activation disabled
1	Activation enabled
The DTCENi7 bit is set to 0 (activation disabled) by a condition for generating a transfer end interrupt.	

DTCENi6	DTC activation enable i6
0	Activation disabled
1	Activation enabled
The DTCENi6 bit is set to 0 (activation disabled) by a condition for generating a transfer end interrupt.	

DTCENi5	DTC activation enable i5
0	Activation disabled
1	Activation enabled
The DTCENi5 bit is set to 0 (activation disabled) by a condition for generating a transfer end interrupt.	

DTCENi4	DTC activation enable i4
0	Activation disabled
1	Activation enabled
The DTCENi4 bit is set to 0 (activation disabled) by a condition for generating a transfer end interrupt.	

DTCENi3	DTC activation enable i3
0	Activation disabled
1	Activation enabled
The DTCENi3 bit is set to 0 (activation disabled) by a condition for generating a transfer end interrupt.	

DTCENi2	DTC activation enable i2
0	Activation disabled
1	Activation enabled
The DTCENi2 bit is set to 0 (activation disabled) by a condition for generating a transfer end interrupt.	

DTCENi1	DTC activation enable i1
---------	--------------------------

0	Activation disabled
1	Activation enabled
The DTCENi1 bit is set to 0 (activation disabled) by a condition for generating a transfer end interrupt.	

DTCENi0	DTC activation enable i0
0	Activation disabled
1	Activation enabled
The DTCENi0 bit is set to 0 (activation disabled) by a condition for generating a transfer end interrupt.	

Table 22-6. Correspondences Between Interrupt Sources and Bits DTCENi0 to DTCENi7

Register	DTCENi7 Bit	DTCENi6 Bit	DTCENi5 Bit	DTCENi4 Bit	DTCENi3 Bit	DTCENi2 Bit	DTCENi1 Bit	DTCENi0 Bit
DTCEN0	Reserved	INTP0	INTP1	INTP2	INTP3	INTP4	INTP5	INTP6
DTCEN1	INTP7	Key return signal detection	24-bit $\Delta\Sigma$ -type A/D converter	10-bit SAR-type A/D conversion end	UART0 reception transfer end	UART0 transmission transfer end /CSI00 transfer end or buffer empty /IIC00 transfer end	UART1 reception transfer end	UART1 transmission transfer end /CSI10 transfer end or buffer empty /IIC10 transfer end
DTCEN2	UART2 reception transfer end	UART2 transmission transfer end	UART3 reception transfer end <small>Note</small>	UART3 transmission transfer end /CSI30 transfer end or buffer empty /IIC30 transfer end <small>Note</small>	End of channel 0 of timer array unit 0 count or capture	End of channel 1 of timer array unit 0 count or capture	End of channel 2 of timer array unit 0 count or capture	End of channel 3 of timer array unit 0 count or capture
DTCEN3	End of channel 4 of timer array unit 0 count or capture	End of channel 5 of timer array unit 0 count or capture	End of channel 6 of timer array unit 0 count or capture	End of channel 7 of timer array unit 0 count or capture	8-bit interval timer 00	8-bit interval timer 01	8-bit interval timer 10	8-bit interval timer 11
DTCEN4	12-bit interval timer detection	AES encryption/decryption end	Zero-cross detection 0 of 24-bit $\Delta\Sigma$ -type A/D converter	Zero-cross detection 1 of 24-bit $\Delta\Sigma$ -type A/D converter	External interrupt request of RTCIC0 pin	External interrupt request of RTCIC1 pin	External interrupt request of RTCIC2 pin	Reserved

Note 100-pin products only

Remark i = 0 to 4

22.3.12 DTC base address register (DTCBAR)

This is an 8-bit register used to set the following addresses: the vector address where the start address of the DTC control data area is stored and the address of the DTC control data area. The value of the DTCBAR register is handled as the higher 8 bits to generate a 16-bit address.

- Cautions**
1. Change the DTCBAR register value with all DTC activation sources set to activation disabled.
 2. Do not rewrite the DTCBAR register more than once.
 3. Do not access the DTCBAR register using a DTC transfer.
 4. For the allocation of the DTC control data area and the DTC vector table area, see the Notes on 22.3.1 Allocation of DTC control data area and DTC vector table area.

Figure 22-13. Format of DTC Base Address Register (DTCBAR)

Address: F02E0H After reset: FDH R/W

Symbol	7	6	5	4	3	2	1	0
DTCBAR	DTCBAR7	DTCBAR6	DTCBAR5	DTCBAR4	DTCBAR3	DTCBAR2	DTCBAR1	DTCBAR0

22.4 DTC Operation

When the DTC is activated, control data is read from the DTC control data area to perform data transfers and control data after data transfer is written back to the DTC control data area. Twenty-four sets of control data can be stored in the DTC control data area, which allows 24 types of data transfers to be performed.

There are two transfer modes (normal mode and repeat mode) and two transfer sizes (8-bit transfer and 16-bit transfer). When the CHNE bit in the DTCCRj (j = 0 to 23) register is set to 1 (chain transfers enabled), multiple control data is read and data transfers are continuously performed by one activation source (chain transfers).

A transfer source address is specified by the 16-bit register DTSARj, and a transfer destination address is specified by the 16-bit register DTDARj.

The values in registers DTSARj and DTDARj are separately incremented or fixed according to the control data after the data transfer.

22.4.1 Activation sources

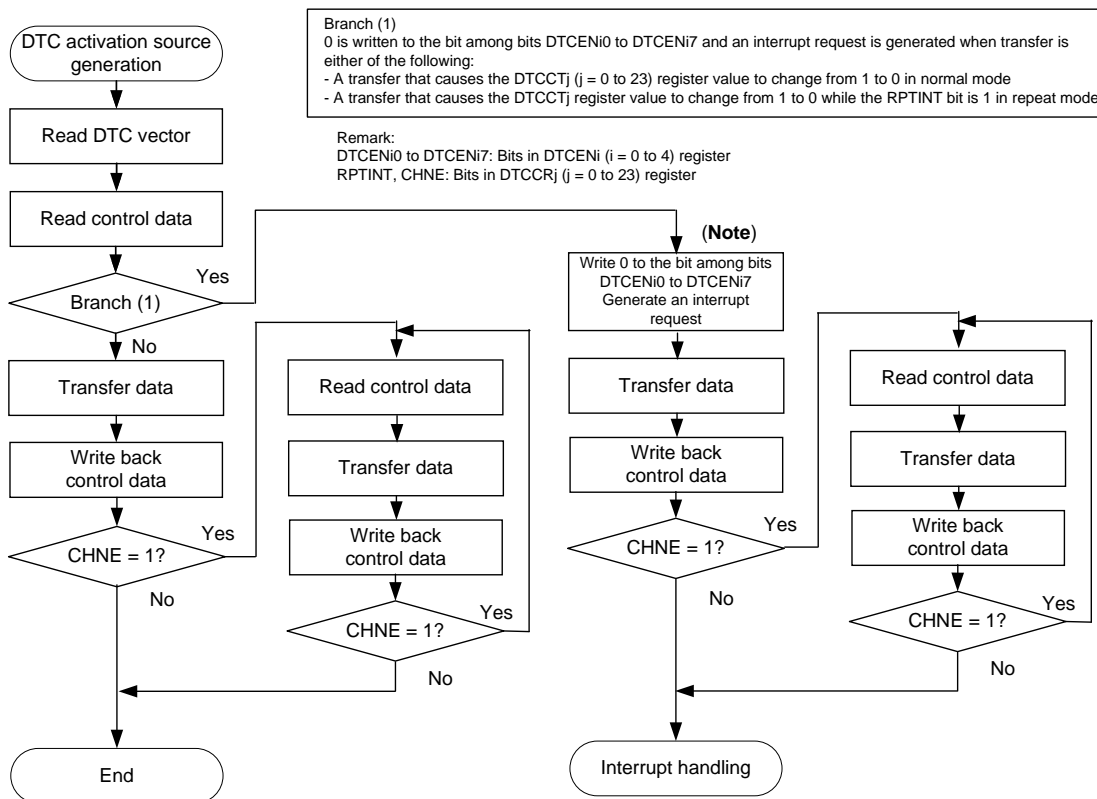
The DTC is activated by an interrupt signal from the peripheral functions. The interrupt signals to activate the DTC are selected with the DTCENi (i = 0 to 4) register.

The DTC sets the corresponding bit among bits DTCENi0 to DTCENi7 in the DTCENi register to 0 (activation disabled) during operation when the setting of data transfer (the first transfer in chain transfers) is either of the following:

- A transfer that causes the DTCCTj (j = 0 to 23) register value to change to 0 in normal mode
- A transfer that causes the DTCCTj register value to change to 0 while the RPTINT bit in the DTCCRj register is 1 (interrupt generation enabled) in repeat mode

Figure 22-14 shows the DTC internal operation flowchart.

Figure 22-14. DTC Internal Operation Flowchart



Note 0 is not written to the bit among bits DTCENi0 to DTCENi7 for data transfers activated by the setting to enable chain transfers (the CHNE bit is 1). Also, no interrupt request is generated.

22.4.2 Normal mode

One to 256 bytes of data are transferred by one activation during 8-bit transfer and 2 to 512 bytes during 16-bit transfer. The number of transfers can be 1 to 256 times. When the data transfer causing the DTCCTj (j = 0 to 23) register value to change to 0 is performed, the DTC generates an interrupt request corresponding to the activation source to the interrupt controller during DTC operation, and sets the corresponding bit among bits DTCENi0 to DTCENi7 (i = 0 to 4) in the DTCENi register to 0 (activation disabled).

Table 22-7 shows register functions in normal mode. Figure 22-15 shows data transfers in normal mode.

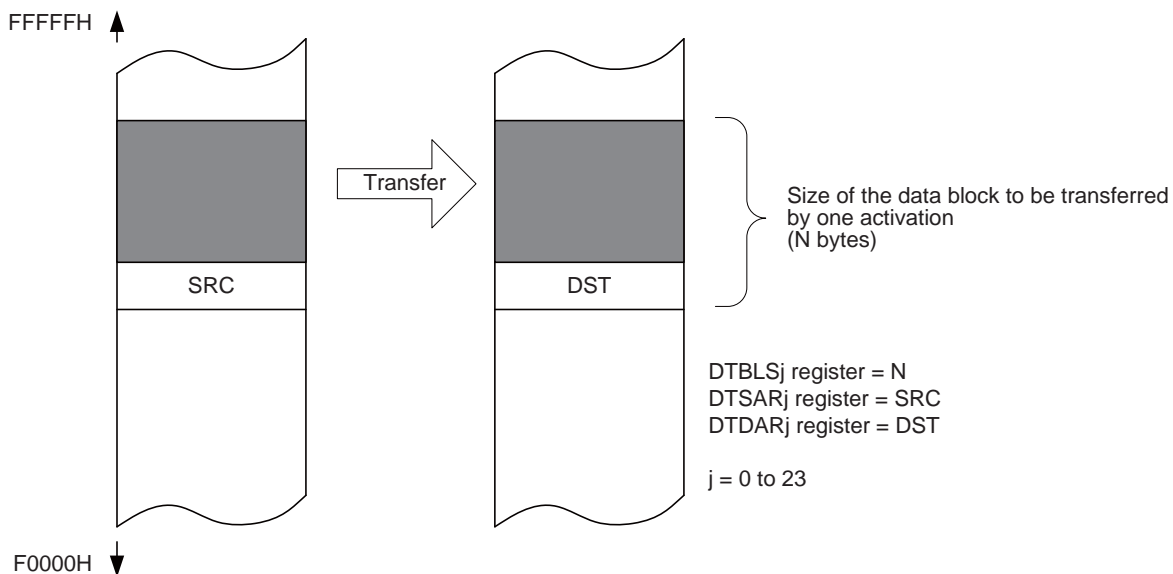
Table 22-7. Register Functions in Normal Mode

Register Name	Symbol	Function
DTC block size register j	DTBLSj	Size of the data block to be transferred by one activation
DTC transfer count register j	DTCCTj	Number of data transfers
DTC transfer count reload register j	DTRLdj	Not used ^{Note}
DTC source address register j	DTSARj	Data transfer source address
DTC destination address register j	DTDARj	Data transfer destination address

Note Initialize this register to 00H when parity error resets are enabled (RPERDIS = 0) using the RAM parity error detection function.

Remark j = 0 to 23

Figure 22-15. Data Transfers in Normal Mode



DTCCR Register Setting				Source Address Control	Destination Address Control	Source Address After Transfer	Destination Address After Transfer
DAMOD	SAMOD	RPTSEL	MODE				
0	0	X	0	Fixed	Fixed	SRC	DST
0	1	X	0	Incremented	Fixed	SRC + N	DST
1	0	X	0	Fixed	Incremented	SRC	DST + N
1	1	X	0	Incremented	Incremented	SRC + N	DST + N

X: 0 or 1

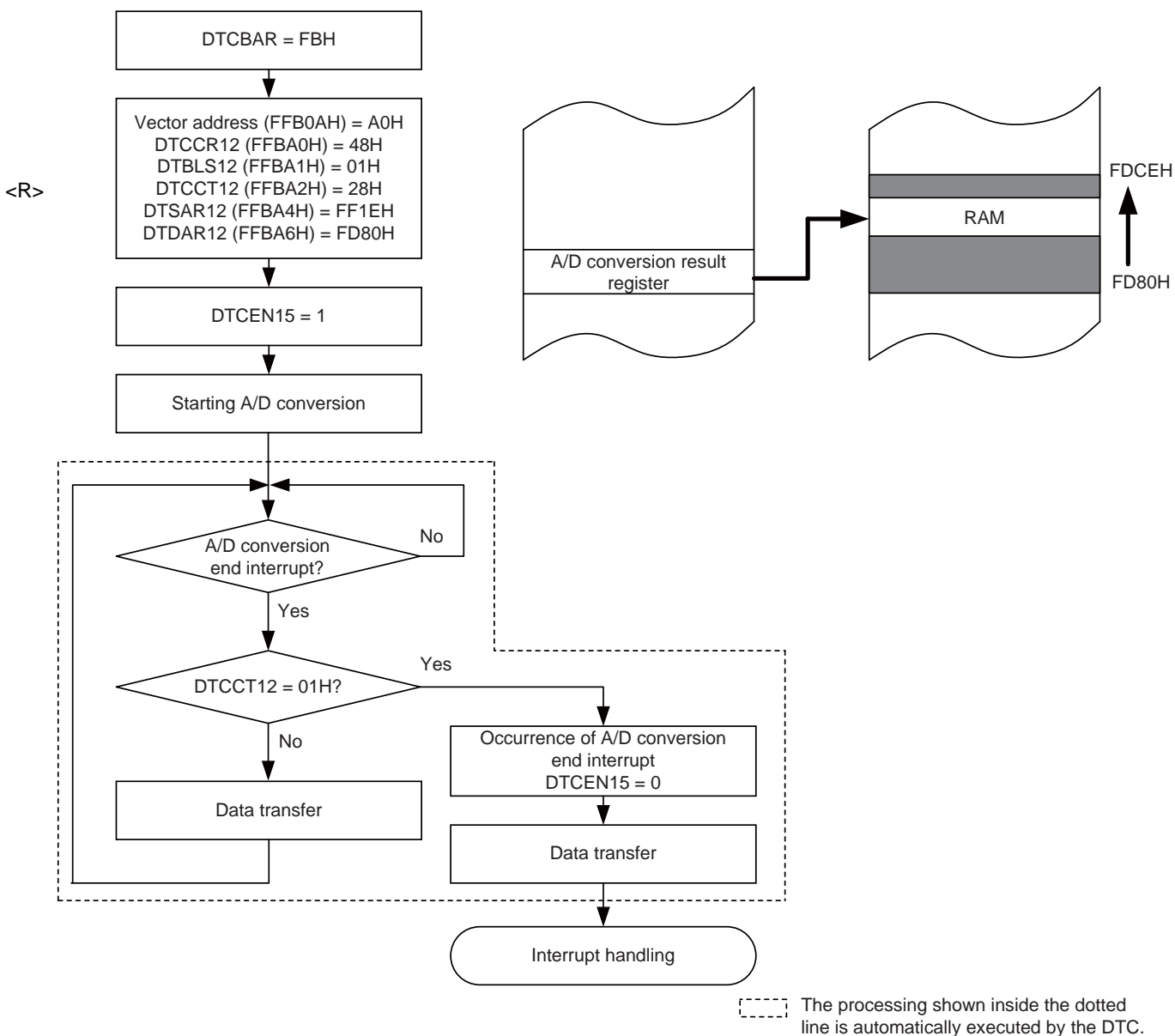
(1) Example 1 of using normal mode: Consecutively capturing A/D conversion results

The DTC is activated by an A/D conversion end interrupt and the value of the A/D conversion result register is transferred to RAM.

- The vector address is FFBA0H and control data is allocated at FFBA0H to FFBA7H
- Transfers 2-byte data of the A/D conversion result register (FFF1EH, FFF1FH) to 80 bytes of FFD80H to FFDCFH of RAM for 40 times.

<R>

Figure 22-16. Example 1 of Using Normal Mode: Consecutively Capturing A/D Conversion Results



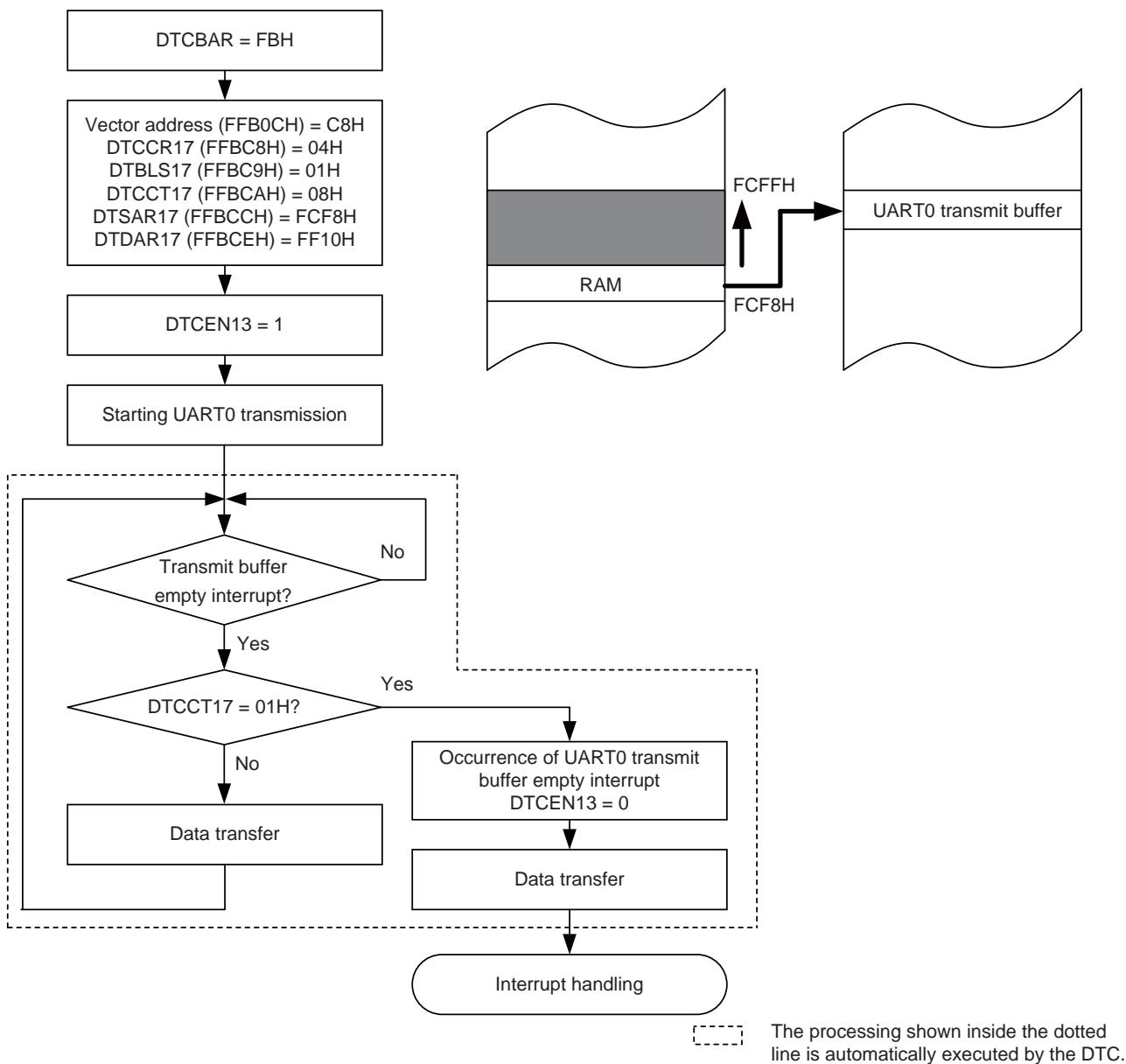
The value of the DTRLD12 register is not used because of normal mode, but initialize the register to 00H when parity error resets are enabled (RPERDIS = 0) using the RAM parity error detection function.

(2) Example 2 of using normal mode: UART0 consecutive transmission

The DTC is activated by a UART0 transmit buffer empty interrupt and the value of RAM is transferred to the UART0 transmit buffer.

- The vector address is FFB0CH and control data is allocated at FFBC8H to FFBCFH
- Transfers 8 bytes of FFCF8H to FFCFFH of RAM to the UART0 transmit buffer (FFF10H)

Figure 22-17. Example 2 of Using Normal Mode: UART0 Consecutive Transmission



The value of the DTRLD17 register is not used because of normal mode, but initialize the register to 00H when parity error resets are enabled (RPERDIS = 0) using the RAM parity error detection function. Start the first UART0 transmission by software. The second and subsequent transmissions are automatically sent when the DTC is activated by a transmit buffer empty interrupt.

22.4.3 Repeat mode

One to 255 bytes of data are transferred by one activation. Either of the transfer source or destination should be specified as the repeat area. The number of transfers can be 1 to 255 times. On completion of the specified number of transfers, the DTCCTj (j = 0 to 23) register and the address specified for the repeat area are initialized to continue transfers. When the data transfer causing the DTCCTj register value to change to 0 is performed while the RPTINT bit in the DTCCRj register is 1 (interrupt generation enabled), the DTC generates an interrupt request corresponding to the activation source to the interrupt controller during DTC operation, and sets the corresponding bit among bits DTCENi0 to DTCENi7 (i = 0 to 4) in the DTCENi register to 0 (activation disabled). When the RPTINT bit in the DTCCRj register is 0 (interrupt generation disabled), no interrupt request is generated even if the data transfer causing the DTCCTj register value to change to 0 is performed. Also, bits DTCENi0 to DTCENi7 are not set to 0.

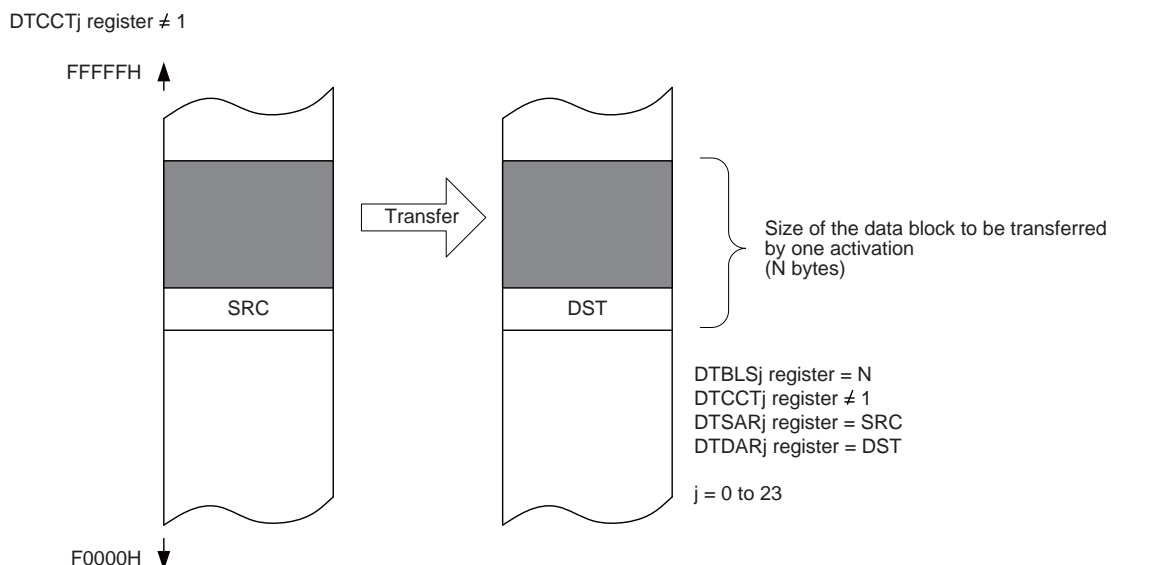
Table 22-8 lists register functions in repeat mode. Figure 22-18 shows data transfers in repeat mode.

Table 22-8. Register Functions in Repeat Mode

Register Name	Symbol	Function
DTC block size register j	DTBLSj	Size of the data block to be transferred by one activation
DTC transfer count register j	DTCCTj	Number of data transfers
DTC transfer count reload register j	DTRLDj	This register value is reloaded to the DTCCT register (the number of transfers is initialized).
DTC source address register j	DTSARj	Data transfer source address
DTC destination address register j	DTDARj	Data transfer destination address

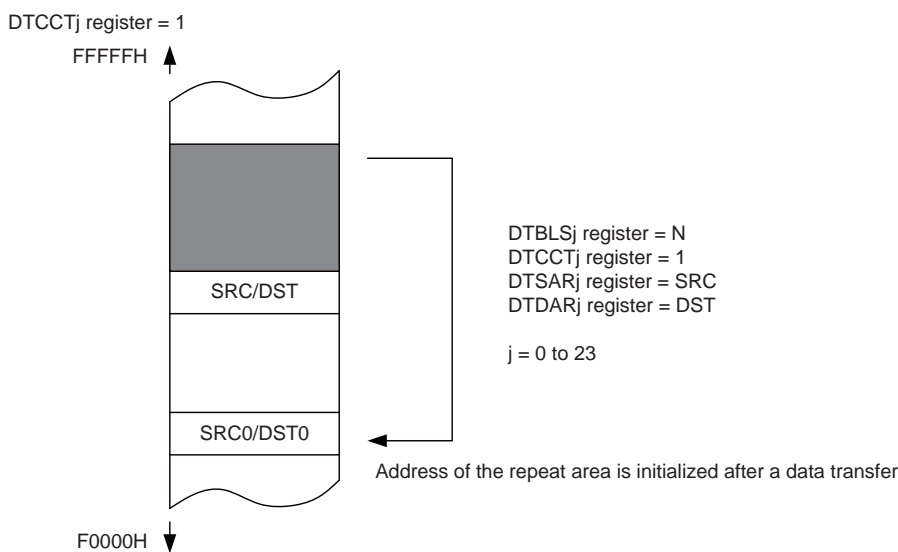
Remark j = 0 to 23

Figure 22-18. Data Transfers in Repeat Mode



DTCCR Register Setting				Source Address Control	Destination Address Control	Source Address After Transfer	Destination Address After Transfer
DAMOD	SAMOD	RPTSEL	MODE				
0	X	1	1	Repeat area	Fixed	SRC + N	DST
1	X	1	1	Repeat area	Incremented	SRC + N	DST + N
X	0	0	1	Fixed	Repeat area	SRC	DST + N
X	1	0	1	Incremented	Repeat area	SRC + N	DST + N

X: 0 or 1



DTCCR Register Setting				Source Address Control	Destination Address Control	Source Address After Transfer	Destination Address After Transfer
DAMOD	SAMOD	RPTSEL	MODE				
0	X	1	1	Repeat area	Fixed	SRC0	DST
1	X	1	1	Repeat area	Incremented	SRC0	DST + N
X	0	0	1	Fixed	Repeat area	SRC	DST0
X	1	0	1	Incremented	Repeat area	SRC + N	DST0

SRC0: Initial source address value
DST0: Initial destination address value
X: 0 or 1

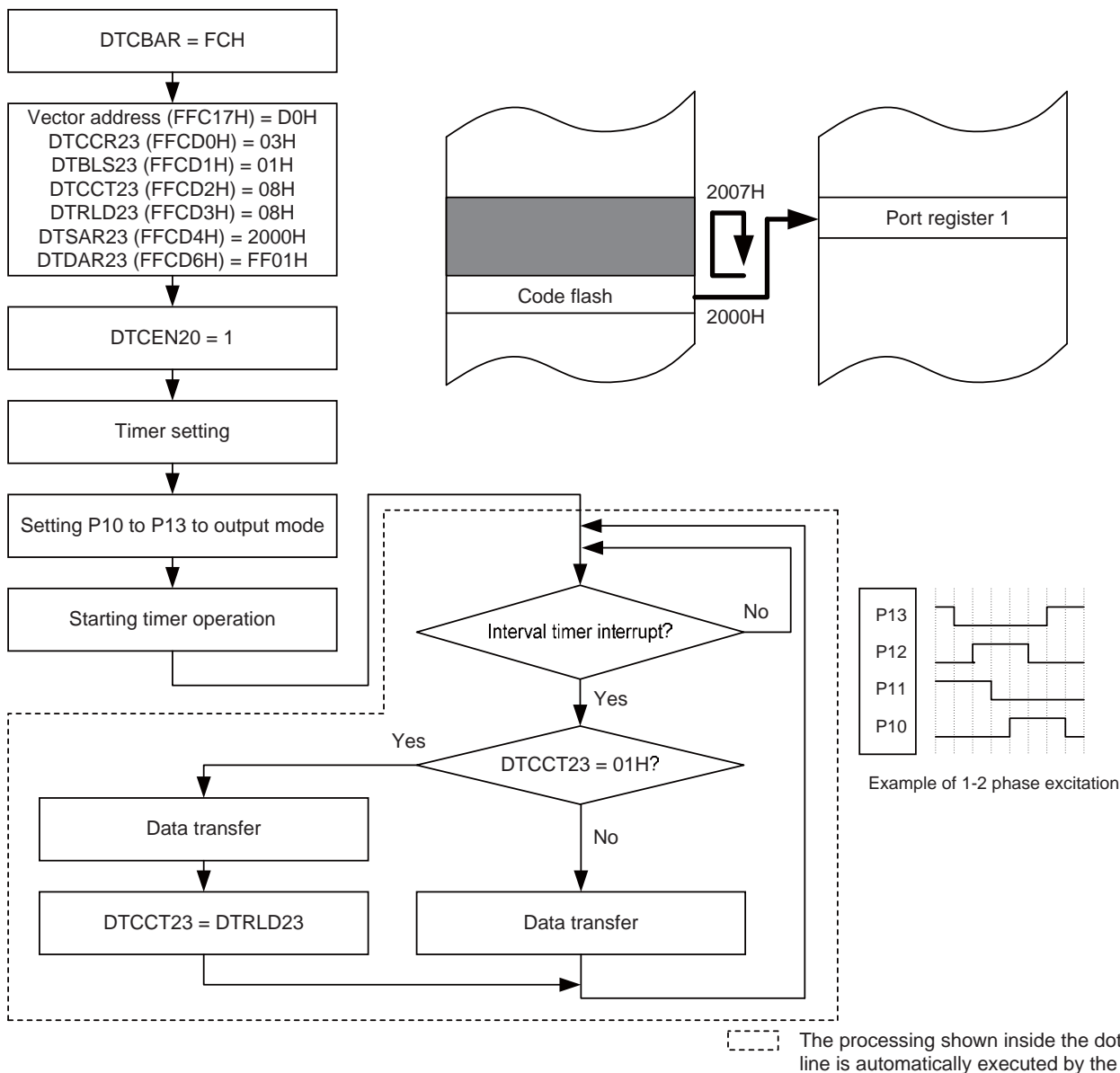
- Cautions**
1. When repeat mode is used, the lower 8 bits of the initial value for the repeat area address must be 00H.
 2. When repeat mode is used, the data size of the repeat area must be set to 255 bytes or less.

(1) Example of using repeat mode: Outputting a stepping motor control pulse using ports

The DTC is activated by an interval timer interrupt and the pattern of the motor control pulse stored in the code flash memory is transferred to general-purpose ports.

- The vector address is FFC0CH and control data is allocated at FFCD0H to FFCD7H
- Transfers 8-byte data of 02000H to 02007H of the code flash memory from the mirror space (F2000H to F2007H) to port register 1 (FFF01H)
- A repeat mode interrupt is disabled

Figure 22-19. Example 1 of Using Repeat Mode: Outputting a Stepping Motor Control Pulse Using Ports



To stop the output, stop the timer first and then clear DTCEN20.

22.4.4 Chain transfers

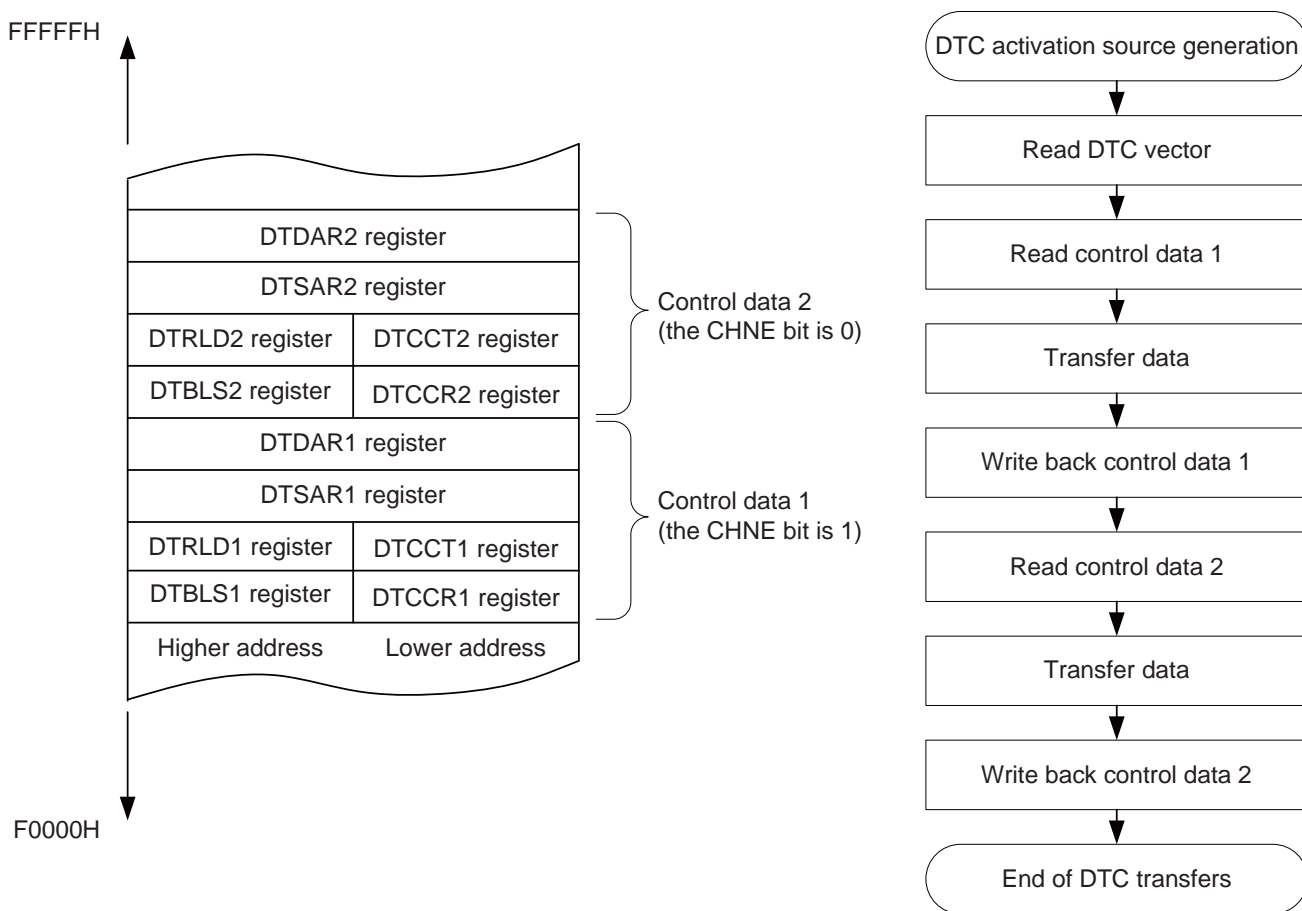
When the CHNE bit in the DTCCRj (j = 0 to 22) register is 1 (chain transfers enabled), multiple data transfers can be continuously performed by one activation source.

When the DTC is activated, one control data is selected according to the data read from the DTC vector address corresponding to the activation source, and the selected control data is read from the DTC control data area. When the CHNE bit for the control data is 1 (chain transfers enabled), the next control data immediately following the current control data is read and transferred after the current transfer is completed. This operation is repeated until the data transfer with the control data for which the CHNE bit is 0 (chain transfers disabled) is completed.

When chain transfers are performed using multiple control data, the number of transfers set for the first control data is enabled, and the number of transfers set for the second and subsequent control data to be processed will be invalid

Figure 22-20 shows data transfers during chain transfers.

Figure 22-20. Data Transfers During Chain Transfers



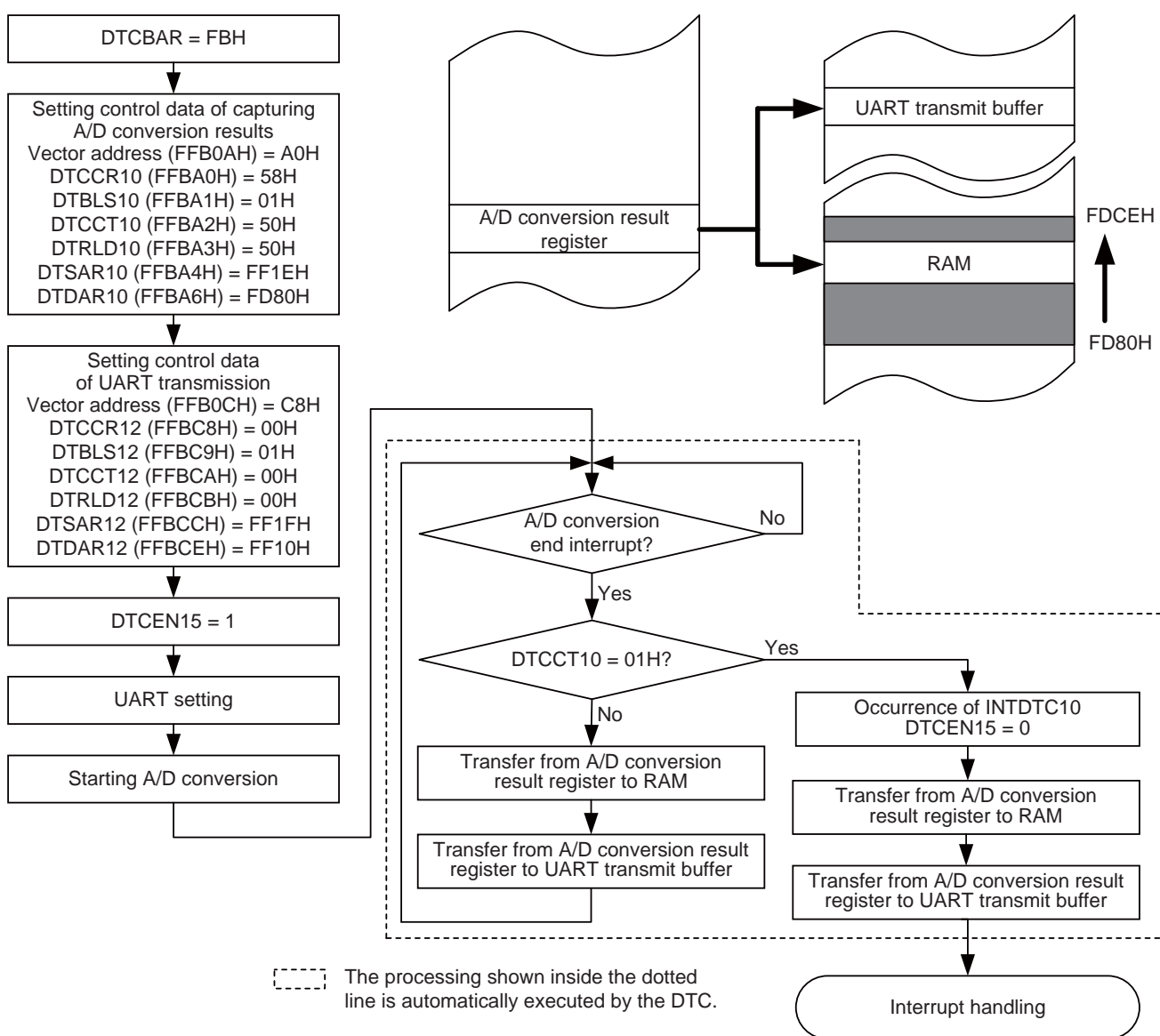
- Notes 1.** Set the CHNE bit in the DTCCR23 register to 0 (chain transfers disabled).
- 2.** During chain transfers, bits DTCENi0 to DTCENi7 (i = 0 to 4) in the DTCENi register are not set to 0 (DTC activation disabled) for the second and subsequent transfers. Also, no interrupt request is generated.

(1) Example of using chain transfers: Consecutively capturing A/D conversion results and UART transmission

The DTC is activated by an A/D conversion end interrupt and A/D conversion results are transferred to RAM, and then transmitted using the UART.

- The vector address is FF80AH
- Control data of capturing A/D conversion results is allocated at FFBA0H to FFBA7H
- Control data of UART transmission is allocated at FFBA8H to FFBAFH
- An A/D conversion end interrupt is assigned to TRIGGER23
- Transfers 2-byte data of the A/D conversion result register (FFF1FH, FFF1EH) to FFD80H to FFD81FH of RAM, and transfers the upper 1 byte (FFF1FH) of the A/D conversion result register to the UART transmit buffer (FFF10H)

Figure 22-21. Example of Using Chain Transfers: Consecutively Capturing A/D Conversion Results and UART Transmission



22.5 Notes on DTC

22.5.1 Setting DTC control data and vector table

- Do not access the DTC SFRs, the DTC control data area, the DTC vector table area, or the general-register (FFEE0H to FFEFFH) space using a DTC transfer.
- Modify the DTC base address register (DTCBAR) while all DTC activation sources are set to activation disabled.
- Do not rewrite the DTC base address register (DTCBAR) twice or more.
- Modify the data of the DTCCRj, DTBLSj, DTCCTj, DTRLDj, DTSARj, or DTDARj register when the corresponding bit among bits DTCENi0 to DTCENi7 in the DTCENi (i = 0 to 4) register is 0 (DTC activation disabled).
- Modify the start address of the DTC control data area to be set in the vector table when the corresponding bit among bits DTCENi0 to DTCENi7 in the DTCENi (i = 0 to 4) register is 0 (DTC activation disabled).
- Do not allocate RAM addresses which are used as a DTC transfer destination/transfer source to the area FFE20H to FFEFDH when performing self-programming and rewriting the data flash memory.

22.5.2 Allocation of DTC control data area and DTC vector table area

The areas where the DTC control data and vector table can be allocated differ.

- It is prohibited to use the general-purpose register (FFEE0H to FFEFFH) space as the DTC control data area or DTC vector table area.
- Make sure the stack area, the DTC control data area, and the DTC vector table area do not overlap.
- The internal RAM area in the following products cannot be used as the DTC control data area or DTC vector table area when using the self-programming and data-flash functions.
 - R5F10NMJ, R5F10NPJ: FBF00H to FC309H
 - <R> R5F10NMG, R5F10NLG: FDF00H to FE309H
- The internal RAM area in the following products cannot be used as the DTC control data area or DTC vector table area when using the on-chip trace function.
 - R5F10NMJ, R5F10NPJ: FC300H to FC6FFH
 - <R> R5F10NMG, R5F10NLG: FE300H to FE6FFH
- Initialize the DTRLD register to 00H even in normal mode when parity error resets are enabled (RPERDIS = 0) using the RAM parity error detection function.

22.5.3 DTC pending instruction

Even if a DTC transfer request is generated, data transfer is held pending immediately after the following instructions. Also, the DTC is not activated between PREFIX instruction code and the instruction immediately after that code.

- Call/return instruction
- Unconditional branch instruction
- Conditional branch instruction
- Read access instruction for code flash memory
- Bit manipulation instructions for IFxx, MKxx, PRxx, and PSW, and an 8-bit manipulation instruction that has the ES register as operand
- Instruction for accessing the data flash memory
- Instruction of Multiply, Divide, Multiply & Accumulate (excluding MULU)

- Cautions 1. When a DTC transfer request is acknowledged, all interrupt requests are held pending until DTC transfer is completed.**
- 2. While the DTC is held pending by the DTC pending instruction, all interrupt requests are held pending.**

22.5.4 Operation when accessing data flash memory space

When accessing the data flash space after an instruction execution from the start of DTC data transfer, a wait of three clock cycles will be inserted to the next instruction.

Instruction 1
 DTC data transfer
 Instruction ← The wait of three clock cycles occurs.
 MOV A, ! Data Flash space

22.5.5 Number of DTC execution clock cycles

Table 22-8 lists the operations following DTC activation and required number of clock cycles for each operation.

Table 22-9. Operations Following DTC Activation and Required Number of Cycles

Vector Read	Control Data		Data Read	Data Write
	Read	Write-back		
1	4	Note 1	Note 2	Note 2

- Notes 1.** For the number of clock cycles required for control data write-back, see **Table 22-10 Number of Clock Cycles Required for Control Data Write-Back Operation.**
- 2.** For the number of clock cycles required for data read/write, see **Table 22-11 Number of Clock Cycles Required for Data Read/Write Operation.**

Table 22-10. Number of Clock Cycles Required for Control Data Write-Back Operation

DTCCR Register Setting				Address Setting		Control Register to be Written Back				Number of Clock Cycles
DAMOD	SAMOD	RPTSEL	MODE	Source	Destination	DTCCTj Register	DTRL Dj Register	DTSARj Register	DTDARj Register	
0	0	X	0	Fixed	Fixed	Written back	Written back	Not written back	Not written back	1
0	1	X	0	Incremented	Fixed	Written back	Written back	Written back	Not written back	2
1	0	X	0	Fixed	Incremented	Written back	Written back	Not written back	Written back	2
1	1	X	0	Incremented	Incremented	Written back	Written back	Written back	Written back	3
0	X	1	1	Repeat area	Fixed	Written back	Written back	Written back	Not written back	2
1	X	1	1		Incremented	Written back	Written back	Written back	Written back	3
X	0	0	1	Fixed	Repeat area	Written back	Written back	Not written back	Written back	2
X	1	0	1	Incremented		Written back	Written back	Written back	Written back	3

Remark j = 0 to 23; X: 0 or 1

Table 22-11. Number of Clock Cycles Required for Data Read/Write Operation

Operation	RAM	Code Flash Memory	Data Flash Memory	SFR	2nd SFR	
					No Wait State	Wait States
Data read	1	2	4	1	1	1 + number of wait states ^{Note}
Data write	1	-	-	1	1	1 + number of wait states ^{Note}

Note The number of wait states differs depending on the specifications of the register allocated to the second SFR to be accessed.

22.5.6 DTC response time

Table 22-12 lists the DTC response time. The DTC response time is the time from when the DTC activation source is detected until DTC transfer starts, excluding the number of DTC execution clocks.

Table 22-12. DTC Response Time

	Minimum Time	Maximum Time
Response Time	3 clocks	19 clocks

Note that the response from the DTC may be further delayed under the following cases. The number of delayed clock cycles differs depending on the conditions.

- When executing an instruction from the internal RAM
Maximum response time: 20 clocks
- When executing a DTC pending instruction (see **22.5.3 DTC pending instruction**)
Maximum response time: Maximum response time for each condition + execution clock cycles for the instruction to be held pending under the condition.
- When accessing a register that a wait occurs
Maximum response time: Maximum response time for each condition + 1 clock

Remark 1 clock: $1/f_{CLK}$ (f_{CLK} : CPU/peripheral hardware clock)

22.5.7 DTC activation sources

- After inputting a DTC activation source, do not input the same activation source again until DTC transfer is completed.
- While a DTC activation source is generated, do not manipulate the DTC activation enable bit corresponding to the source.
- If DTC activation sources conflict, their priority levels are determined in order to select the source for activation when the CPU acknowledges the DTC transfer. For details on the priority levels of activation sources, see **22.3.3 Vector table**.
- When DTC activation is enabled under either of the following conditions, a DTC transfer is started and an interrupt is generated after completion of the transfer. Therefore, enable DTC activation after confirming the comparator monitor flag (CnMON) as necessary. (n = 0, 1)
 - The comparator is set to an interrupt request on one-edge detection (CnEDG = 0), an interrupt request at the rising edge for the comparator, and $IVCMP > IVREF$ (or internal reference voltage: 1.45 V)
 - The comparator is set to an interrupt request on one-edge detection (CnEDG = 0), an interrupt request at the falling edge for the comparator, and $IVCMP < IVREF$ (or internal reference voltage: 1.45 V)

22.5.8 Operation in standby mode status

Status	DTC Operation
HALT mode	Operable (Operation is disabled while in the low power consumption RTC mode)
STOP mode	DTC activation sources can be accepted ^{Note 2}
SNOOZE mode	Operable ^{Notes 1, 3, 4, 5}

- <R> **Notes**
1. The SNOOZE mode can only be specified when the high-speed on-chip oscillator clock (f_{IH}) or the middle-speed on-chip oscillator clock (f_{IM}) is selected as f_{CLK} .
 2. In the STOP mode, detecting a DTC activation source enables transition to SNOOZE mode and DTC transfer. After completion of transfer, the system returns to the STOP mode. However, since the code flash memory and the data flash memory are stopped during the HALT or SNOOZE mode, the flash memory cannot be set as the transfer source.
 3. When a transfer end interrupt is set as a DTC activation source from the CSIp SNOOZE mode function, release the SNOOZE mode using the transfer end interrupt to start CPU processing after completion of DTC transfer, or use a chained transfer to set CSIp reception again (writing 1 to the STm0 bit, writing 0 to the SWCm bit, setting of the SSCm register, and writing 1 to the SSm0 bit).
 4. When a transfer end interrupt is set as a DTC activation source from the UARTq SNOOZE mode function, release the SNOOZE mode using the transfer end interrupt to start CPU processing after completion of DTC transfer, or use a chained transfer to set UARTq reception again (writing 1 to the STm1 bit, writing 0 to the SWCm bit, setting of the SSCm register, and writing 1 to the SSm1 bit).
 5. When an A/D conversion end interrupt is set as a DTC activation source from the A/D converter SNOOZE mode function, release the SNOOZE mode using the A/D conversion end interrupt to start CPU processing after completion of DTC transfer, or use a chained transfer to set the A/D converter SNOOZE mode function again after clear the AWC bit.

Caution The SNOOZE function for the DTC and the SNOOZE function for UART cannot be used at the same time.

Remark p = 00; q = 0; m = 0

CHAPTER 23 EVENT LINK CONTROLLER (ELC)

23.1 Functions of ELC

The event link controller (ELC) mutually connects (links) events output from each peripheral function. By linking events, it becomes possible to coordinate operation between peripheral functions directly without going through the CPU.

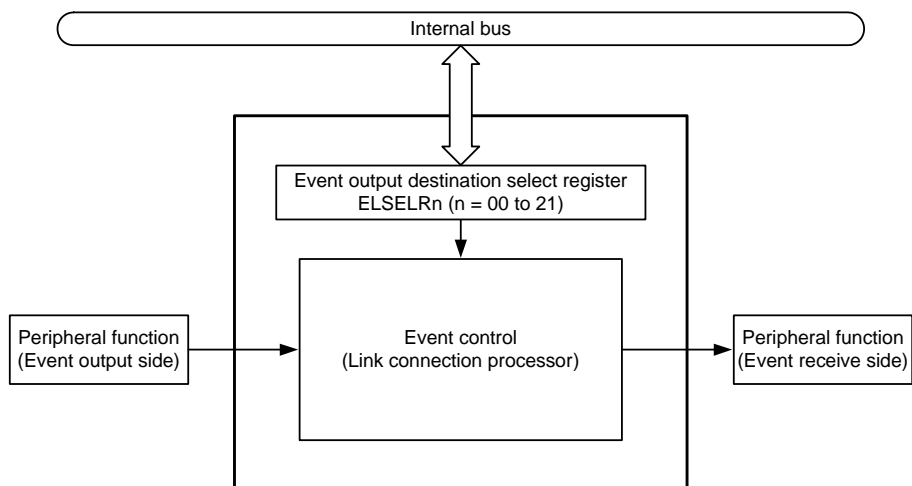
The ELC has the following functions.

- Capable of directly linking event signals from 22 types of peripheral functions to specified peripheral functions
- Event signals can be used as activation sources for operating any one of five types of peripheral functions

23.2 Configuration of ELC

Figure 23 - 1 shows the ELC Block Diagram.

Figure 23 - 1 ELC Block Diagram



23.3 Registers Controlling ELC

Table 23 - 1 lists the Registers Controlling ELC.

Table 23 - 1 Registers Controlling ELC

Register name	Symbol
Event output destination select register 00	ELSELR00
Event output destination select register 01	ELSELR01
Event output destination select register 02	ELSELR02
Event output destination select register 03	ELSELR03
Event output destination select register 04	ELSELR04
Event output destination select register 05	ELSELR05
Event output destination select register 06	ELSELR06
Event output destination select register 07	ELSELR07
Event output destination select register 08	ELSELR08
Event output destination select register 09	ELSELR09
Event output destination select register 10	ELSELR10
Event output destination select register 11	ELSELR11
Event output destination select register 12	ELSELR12
Event output destination select register 13	ELSELR13
Event output destination select register 14	ELSELR14
Event output destination select register 15	ELSELR15
Event output destination select register 16	ELSELR16
Event output destination select register 17	ELSELR17
Event output destination select register 18	ELSELR18
Event output destination select register 19	ELSELR19
Event output destination select register 20	ELSELR20
Event output destination select register 21	ELSELR21
Timer input select register 0	TIS0
A/D converter mode register 1	ADM1

23.3.1 Event output destination select register n (ELSELRn) (n = 00 to 21)

An ELSELRn register links each event signal to an operation of an event-receiving peripheral function (link destination peripheral function) after reception.

Do not set multiple event inputs to the same event output destination (event receive side). The operation of the event-receiving peripheral function will become undefined, and event signals may not be received correctly. In addition, do not set the event link generation source and the event link output destination to the same function. Set an ELSELRn register during a period when no event output peripheral functions are generating event signals.

Table 23 - 2 lists the Correspondence Between ELSELRn (n = 00 to 21) Registers and Peripheral Functions, and Table 23 - 3 lists the Correspondence Between Values Set to ELSELRn (n = 00 to 21) Registers and Operation of Link Destination Peripheral Functions at Reception.

Figure 23 - 2 Format of Event output destination select register n (ELSELRn)

Address: F0240H (ELSELR00) to F0255H (ELSELR21) After reset: 00H R/W

Symbol 7 6 5 4 3 2 1 0

ELSELRn	0	0	0	0	0	ELSELRn2	ELSELRn1	ELSELRn0
---------	---	---	---	---	---	----------	----------	----------

ELSELRn2	ELSELRn1	ELSELRn1	Event Link Selection
0	0	0	Event link disabled
0	0	1	Select operation of peripheral function 1 to link <small>Note</small>
0	1	0	Select operation of peripheral function 2 to link <small>Note</small>
0	1	1	Select operation of peripheral function 3 to link <small>Note</small>
1	0	0	Select operation of peripheral function 4 to link <small>Note</small>
1	0	1	Select operation of peripheral function 5 to link <small>Note</small>
Other than above			Setting prohibited

Note See **Table 23 - 3 Correspondence Between Values Set to ELSELRn (n = 00 to 21) Registers and Operation of Link Destination Peripheral Functions at Reception.**

Table 23 - 2 Correspondence Between ELSELRn (n = 00 to 21) Registers and Peripheral Functions

Register Name	Event Generator (Output Origin of Event Input n)	Event Description
ELSELR00	External interrupt edge detection 0	INTP0
ELSELR01	External interrupt edge detection 1	INTP1
ELSELR02	External interrupt edge detection 2	INTP2
ELSELR03	External interrupt edge detection 3	INTP3
ELSELR04	External interrupt edge detection 4	INTP4
ELSELR05	External interrupt edge detection 5	INTP5
ELSELR06	External interrupt edge detection 6	INTP6
ELSELR07	External interrupt edge detection 7	INTP7
ELSELR08	Key return signal detection	INTKR
ELSELR09	12-bit interval timer interval signal detection	INTIT
ELSELR10	8-bit interval timer channel 00 compare match or 16-bit interval timer channel 0 compare match (cascaded)	INTIT00
ELSELR11	8-bit interval timer channel 10 compare match or 16-bit interval timer channel 1 compare match (cascaded)	INTIT10
ELSELR12	Fixed-cycle signal of real-time clock	INTRTCPRD
ELSELR13	TAU channel 00 count end/capture end	INTTM00
ELSELR14	TAU channel 01 count end/capture end	INTTM01
ELSELR15	TAU channel 02 count end/capture end	INTTM02
ELSELR16	TAU channel 03 count end/capture end	INTTM03
ELSELR17	TAU channel 05 count end/capture end	INTTM05
ELSELR18	TAU channel 07 count end/capture end	INTTM07
ELSELR19	24-bit $\Delta\Sigma$ -type A/D conversion end	INTDSAD
ELSELR20	Zero-cross detection 0 of 24-bit $\Delta\Sigma$ -type A/D converter	INTDSADZC0
ELSELR21	Zero-cross detection 1 of 24-bit $\Delta\Sigma$ -type A/D converter	INTDSADZC1

<R>

Table 23 - 3 Correspondence Between Values Set to ELSELRn (n = 00 to 21) Registers and Operation of Link Destination Peripheral Functions at Reception

Bits ELSELRn2 to ELSELRn0 in ELSELRn Register	Link Destination Number	Link Destination Peripheral Function	Operation When Receiving Event
001B	1	A/D converter	A/D conversion starts
010B	2	Timer input of timer array unit channel 0 ^{Note 1}	Delay counter, input pulse interval measurement, external event counter
011B	3	Timer input of timer array unit channel 1 ^{Note 2}	Delay counter, input pulse interval measurement, external event counter
100B	4	Timer input of timer array unit channel 5 ^{Note 3}	Delay counter, input pulse interval measurement, external event counter
101B	5	Timer input of timer array unit channel 7 ^{Note 4}	Delay counter, input pulse interval measurement, external event counter

Note 1. To select the timer input of timer array unit channel 0 as the link destination peripheral function, set the operating clock for channel 0 to f_{CLK} using timer clock select register 0 (TPS0), set the noise filter of the TI00 pin to OFF (TNFEN0 = 0) using noise filter enable register 1 (NFEN1), and then set the timer output used for channel 0 to an event input signal from the ELC using timer input select register 0 (TIS0).

Note 2. To select the timer input of timer array unit channel 1 as the link destination peripheral function, set the operating clock for channel 1 to f_{CLK} using timer clock select register 0 (TPS0), set the noise filter of the TI01 pin to OFF (TNFEN01 = 0) using noise filter enable register 1 (NFEN1), and then set the timer output used for channel 1 to an event input signal from the ELC using timer input select register 0 (TIS0).

Note 3. To select the timer input of timer array unit channel 5 as the link destination peripheral function, set the operating clock for channel 5 to f_{CLK} using timer clock select register 0 (TPS0), set the noise filter of the TI05 pin to OFF (TNFEN05 = 0) using noise filter enable register 1 (NFEN1), and then set the timer output used for channel 5 to an event input signal from the ELC using timer input select register 0 (TIS0).

Note 4. To select the timer input of timer array unit channel 7 as the link destination peripheral function, set the operating clock for channel 7 to f_{CLK} using timer clock select register 0 (TPS0), set the noise filter of the TI07 pin to OFF (TNFEN07 = 0) using noise filter enable register 1 (NFEN1), and then set the timer output used for channel 7 to an event input signal from the ELC using timer input select register 0 (TIS0).

23.3.2 Timer input select register 0 (TIS0)

The TIS0 register is used to select the timer input for channels 0, 1, 5, 6, and 7 of the timer array unit (TAU0).

Figure 23 - 3 Format of Timer Input Select Register 0 (TIS0)

Address: F0074H After reset: 00H R/W

Symbol	7	6	5	4	3	2	1	0
TIS0	TIS07	TIS06	TIS05	TIS04	TIS03	TIS02	TIS01	TIS00

TIS07	TIS06	Selection of timer input used with channel 7
0	0	Input signal of timer input pin (TI07)
0	1	RTCOU output signal
1	0	RxD0 input pin
1	1	Event input signal from ELC

TIS04	Selection of timer input used with channel 1
0	Input signal of timer input pin (TI01)
1	Event input signal from ELC

TIS03	Selection of timer input used with channel 0
0	Input signal of timer input pin (TI00)
1	Event input signal from ELC

TIS02	TIS01	TIS00	Selection of timer input used with channel 5
0	0	0	Input signal of timer input pin (TI05)
0	0	1	Event input signal from ELC
0	1	0	Input signal of timer input pin (TI05)
0	1	1	Middle-speed on-chip oscillator clock (f_{IM})
1	0	0	Low-speed on-chip oscillator clock (f_{IL})
1	0	1	Subsystem clock (f_{SUB})
Other than above			Setting prohibited

<R>
<R>
<R>

23.3.3 A/D converter mode register 1 (ADM1)

This register is used to specify the A/D conversion trigger, conversion mode, and hardware trigger signal. The ADM1 register can be set by a 1-bit or an 8-bit memory manipulation instruction. Reset signal generation clears this register to 00H.

Figure 23 - 4 Format of A/D Converter Mode Register 1 (ADM1)

Address: FFF32H After reset: 00H R/W

Symbol 7 6 5 4 3 2 1 0

ADM1	ADTMD1	ADTMD0	ADSCM	0	0	0	ADTRS1	ADTRS0
------	--------	--------	-------	---	---	---	--------	--------

ADTRS1	ADTRS0	Selection of the hardware trigger signal
0	0	End of timer channel 01 count or capture interrupt signal (INTTM01)
0	1	Event signal selected by ELC
1	0	Independent power supply RTC alarm interrupt signal (INTRTCALM), independent power supply RTC fixed-cycle interrupt signal (INTRTCPRD)
1	1	12-bit interval timer interrupt signal (INTIT)

<R>

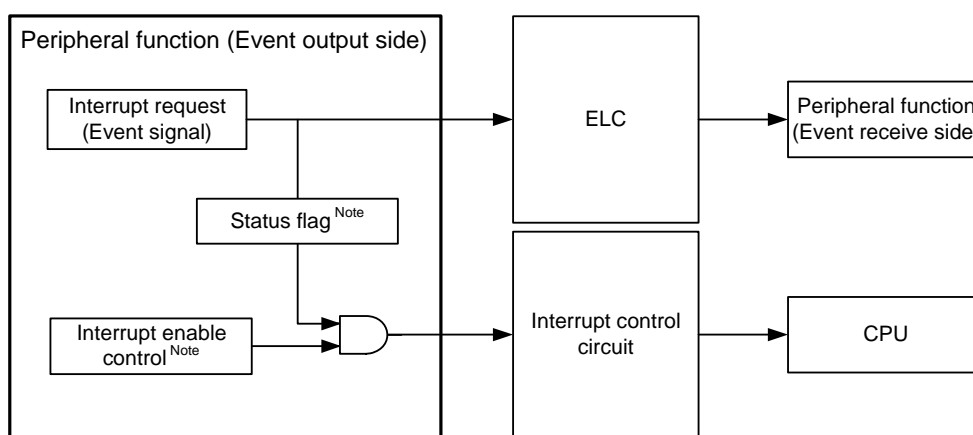
23.4 ELC Operation

The path for using an event signal generated by a peripheral function as an interrupt request to the interrupt control circuit is independent from the path for using it as an ELC event. Therefore, each event signal can be used as an event signal for operation of an event-receiving peripheral function, regardless of interrupt control.

Figure 23 - 5 shows the Relationship Between Interrupt Handling and ELC. The figure show an example of an interrupt request status flag and a peripheral function possessing the enable bits that control enabling/disabling of such interrupts.

A peripheral function which receives an event from the ELC will perform the operation corresponding to the event-receiving peripheral function after reception of an event (See **Table 23 - 3 Correspondence Between Values Set to ELSELRn (n = 00 to 21) Registers and Operation of Link Destination Peripheral Functions at Reception**).

Figure 23 - 5 Relationship Between Interrupt Handling and ELC



Note Not available depending on the peripheral function.

Table 23 - 4 lists the Response of Peripheral Functions That Receive Events.

Table 23 - 4 Response of Peripheral Functions That Receive Events

Event Receiver No.	Event Link Destination Function	Operation after Event Reception	Response
1	A/D converter	A/D conversion	An event from the ELC is directly used as a hardware trigger of A/D conversion.
2	Timer array unit Timer input of channel 0	Delay counter Input pulse width measurement External event counter	The edge is detected 3 or 4 cycles of f_{CLK} after an ELC event is generated.
3	Timer array unit Timer input of channel 1	Delay counter Input pulse width measurement External event counter	The edge is detected 3 or 4 cycles of f_{CLK} after an ELC event is generated.
4	Timer array unit Timer input of channel 5	Delay counter Input pulse width measurement External event counter	The edge is detected 3 or 4 cycles of f_{CLK} after an ELC event is generated.
5	Timer array unit Timer input of channel 7	Delay counter Input pulse width measurement External event counter	The edge is detected 3 or 4 cycles of f_{CLK} after an ELC event is generated.

23.5 Points for Caution when Using the ELC

- Attempting to link multiple event inputs to a single event trigger is prohibited.
- Ensure that conditions for the generation of an event signal are not satisfied in a related peripheral module while setting control registers of the ELC.
- Setting the same module as the source of an event signal and destination for linkage is prohibited.

CHAPTER 24 INTERRUPT FUNCTIONS

The interrupt function switches the program execution to other processing. When the branch processing is finished, the program returns to the interrupted processing.

		64-pin	80-pin	100-pin
Maskable interrupts	External	9	12	12
	Internal	41	41	44

24.1 Interrupt Function Types

The following two types of interrupt functions are used.

(1) Maskable interrupts

These interrupts undergo mask control. Maskable interrupts can be divided into four priority groups by setting the priority specification flag registers (PR00L, PR00H, PR01L, PR01H, PR02L, PR02H, PR03L, PR10L, PR10H, PR11L, PR11H, PR12L, PR12H, PR13L).

Multiple interrupt servicing can be applied to low-priority interrupts when high-priority interrupts are generated. If two or more interrupt requests, each having the same priority, are simultaneously generated, then they are processed according to the default priority of vectored interrupt servicing. Default priority, see **Table 24-1**.

A standby release signal is generated and STOP, HALT, and SNOOZE modes are released.

External interrupt requests and internal interrupt requests are provided as maskable interrupts.

(2) Software interrupts

This is a vectored interrupt generated by executing the BRK instruction. It is acknowledged even when interrupts are disabled. The software interrupt does not undergo interrupt priority control.

24.2 Interrupt Sources and Configuration

Interrupt sources include maskable interrupts and software interrupts. In addition, they also have up to seven reset sources (see **Table 24-1**). The vector codes that store the program start address when branching due to the generation of a reset or various interrupt requests are two bytes each, so interrupts jump to a 64 K address of 00000H to 0FFFFH.

Table 24-1. Interrupt Source List (1/4)

Interrupt Type	Default Priority ^{Note 1}	Interrupt Source		Internal/ External	Vector Table Address	Basic Configuration Type ^{Note 2}	100-pin	80-pin	64-pin
		Name	Trigger						
Maskable	0	INTWDTI	Watchdog timer interval ^{Note 3} (75% of overflow time+1/2f _L)	Internal	0004H	(A)	√	√	√
	1	INTLVI	Voltage detection ^{Note 4}		0006H		√	√	√
	2	INTP0 ^{Note 5}	Pin input edge detection	External	0008H	(B)	√	√	√
	3	INTP1			000AH		√	√	√
	4	INTP2			000CH		√	√	√
	5	INTP3			000EH		√	√	√
	6	INTP4			0010H		√	√	√
	7	INTP5			0012H		√	√	√
	8	INTST2	UART2 transmission transfer end or buffer empty interrupt	Internal	0014H	(A)	√	√	√
	9	INTSR2	UART2 reception transfer end		0016H		√	√	√
	10	INTSRE2	UART2 reception communication error occurrence		0018H		√	√	√
	11	INTCR	End of high-speed on-chip oscillator clock frequency correction		001AH		√	√	√
	12	INTAES	AES encryption/decryption end		001CH		√	√	√
		INTAESF	AES encryption/decryption end of first block				√	√	√
	13	INTST0/ INTCS100/ INTIIC00	UART0 transmission transfer end or buffer empty interrupt/CSI00 transfer end or buffer empty interrupt/IIC00 transfer end		001EH		√	√	√
	14	INTIICA0	End of IICA0 communication		0020H		√	√	√
	15	INTSR0	UART0 reception transfer end		0022H		√	√	√
	16	INTSRE0	UART0 reception communication error occurrence		0024H		√	√	√
		INTTM01H	End of timer channel 01 count or capture (at higher 8-bit timer operation)				√	√	√
	17	INTST1/ INTCS110/ INTIIC10	UART1 transmission transfer end or buffer empty interrupt/CS110 transfer end or buffer empty interrupt/IIC10 transfer end		0026H		√	√	√
18	INTSR1	UART1 reception transfer end	0028H		√		√	√	
19	INTSRE1	UART1 reception communication error occurrence	002AH	√	√	√			
	INTTM03H	End of timer channel 03 count or capture (at higher 8-bit timer operation)		√	√	√			

- Notes**
- The default priority determines the sequence of interrupts if two or more maskable interrupts occur simultaneously. Zero indicates the highest priority and 42 indicates the lowest priority.
 - Basic configuration types (A) to (C) correspond to (A) to (C) in Figure 24-1.
 - When bit 7 (WDTINT) of the option byte (000C0H) is set to 1.
 - When bit 7 (LVIMD) of the voltage detection level register (LVIS) is cleared to 0.
 - The input buffer power supply of P137 pins is connected to internal V_{DD}. For PIOR04 = 0, interrupts can be accepted even when a battery backup function is used and power is supplied from the VBAT pin.

<R>

Table 24-1. Interrupt Source List (2/4)

Interrupt Type	Default Priority ^{Note 1}	Interrupt Source		Internal/External	Vector Table Address	Basic Configuration Type ^{Note 2}	100-pin	80-pin	64-pin
		Name	Trigger						
<R>	20	INTTM00	End of timer channel 00 count or capture	Internal	002CH	(A)	√	√	√
	22	INTFM	End of frequency measurement		0030H		√	√	√
	23	INTTM01	End of timer channel 01 count or capture (at 16-bit/lower 8-bit timer operation)		0032H		√	√	√
	24	INTTM02	End of timer channel 02 count or capture		0034H		√	√	√
	25	INTTM03	End of timer channel 03 count or capture (at 16-bit/lower 8-bit timer operation)		0036H		√	√	√
	26	INTAD	End of A/D conversion		0038H		√	√	√
	27	INTRTCALM	Alarm match detection of real-time clock		003AH		√	√	√
		INTRTCPD	Fixed-cycle signal of real-time clock				√	√	√
<R>	28	INTIT	Interval signal of 12-bit interval timer detection		003CH		√	√	√
	29	INTKR	Key return signal detection	External	003EH	(B)	√	√	√
	30	INTST3/ INTCSI30/ INTIIC30	UART3 transmission transfer end or buffer empty interrupt/CSI30 transfer end or buffer empty interrupt/IIC30 transfer end	Internal	0040H	(A)	√	-	-
	31	INTSR3	UART3 reception transfer end		0042H		√	-	-
	32	INTDSAD	End of $\Delta\Sigma$ A/D conversion		0044H		√	√	√
	33	INTTM04	End of timer channel 04 count or capture		0046H		√	√	√
	34	INTTM05	End of timer channel 05 count or capture		0048H		√	√	√
	35	INTP6	Pin input edge detection	External	004AH	(B)	√	√	√
<R>	36	INTP7			004CH		√	√	√
<R>	37	INTRTCIC0 <small>Note 3</small>	Tamper detection of RTCIC0 pin		004EH		√	√	-
<R>	38	INTRTCIC1 <small>Note 3</small>	Tamper detection of RTCIC1 pin		0050H		√	√	-
<R>	39	INTRTCIC2 <small>Note 3</small>	Tamper detection of RTCIC2 pin		0052H		√	√	-
	40	INTTM06	End of timer channel 06 count or capture	Internal	0054H	(A)	√	√	√
	41	INTTM07	End of timer channel 07 count or capture		0056H		√	√	√
	42	INTIT00	8-bit interval timer channel 00/channel 0 (when cascade) compare match detection		0058H		√	√	√
	43	INTIT01	8-bit interval timer channel 01 compare match detection		005AH		√	√	√

- Notes**
1. The default priority determines the sequence of interrupts if two or more maskable interrupts occur simultaneously. Zero indicates the highest priority and 42 indicates the lowest priority.
 2. Basic configuration types (A) to (C) correspond to (A) to (C) in Figure 24-1.
 3. The input buffer power supply of the INTRTCIC0, INTRTCIC1, and INTRTCIC2 pins is connected to internal V_{DD}. Interrupts can be accepted even when a battery backup function is used and power is supplied from the VBAT pin.

Table 24-1. Interrupt Source List (3/4)

Interrupt Type Maskable	Default Priority ^{Note 1}	Interrupt Source		Internal/External	Vector Table Address	Basic Configuration Type ^{Note 2}	100-pin	80-pin	64-pin
		Name	Trigger						
Maskable	44	INTSRE3	UART3 reception communication error occurrence	Internal	005CH	(A)	√	-	-
	45	INTMACLOF	Multiply-accumulation overflow/underflow interrupt		005EH		√	√	√
	46	INTOSDC	Oscillation stop detection		0060H		√	√	√
	47	INTFL	Reserved ^{Note 3}		0062H		√	√	√
	48	INTDSADZC 0	Zero-cross detection 0 of 24-bit $\Delta\Sigma$ -type A/D converter		0064H		√	√	√
	49	INTDSADZC 1	Zero-cross detection 1 of 24-bit $\Delta\Sigma$ -type A/D converter		0066H		√	√	√
	50	INTIT10	8-bit interval timer channel 10/channel 1 (when cascade) compare match detection		0068H		√	√	√
	51	INTIT11	8-bit interval timer channel 11 compare match detection		006AH		√	√	√
	52	INTLVDVDD	Voltage detection of V _{DD} pin		006CH		√	√	√
	53	INTLVDVBAT	Voltage detection of VBAT pin		006EH		√	√	√
	54	INTLVDVRTC	Voltage detection of VRTC pin		0070H		√	√	√
	55	INTLVDEXLVD	Voltage detection of EXLVD pin		0072H		√	√	√

- Notes**
1. The default priority determines the sequence of interrupts if two or more maskable interrupts occur simultaneously. Zero indicates the highest priority and 42 indicates the lowest priority.
 2. Basic configuration types (A) to (C) correspond to (A) to (C) in Figure 24-1.
 3. Be used at the flash self-programming library or the data flash library.

<R>

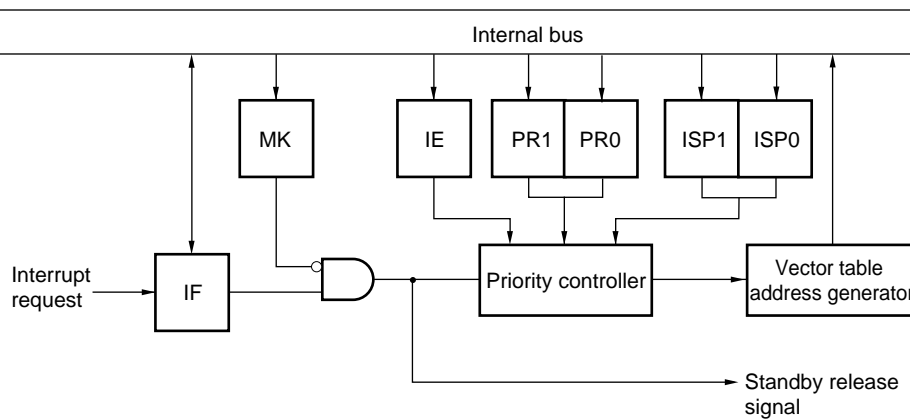
Table 24-1. Interrupt Source List (4/4)

Interrupt Type	Default Priority ^{Note 1}	Interrupt Source		Internal/External	Vector Table Address	Basic Configuration Type ^{Note 2}	100-pin	80-pin	64-pin
Software	–	BRK	Execution of BRK instruction	–	007EH	(C)	√	√	√
Reset	–	RESET	RESET pin input	–	0000H	–	√	√	√
		POR	Power-on-reset				√	√	√
		LVD	Voltage detection ^{Note 3}				√	√	√
		WDT	Overflow of watchdog timer				√	√	√
		TRAP	Execution of illegal instruction ^{Note 4}				√	√	√
		IAW	Illegal-memory access				√	√	√
		RPE	RAM parity error				√	√	√

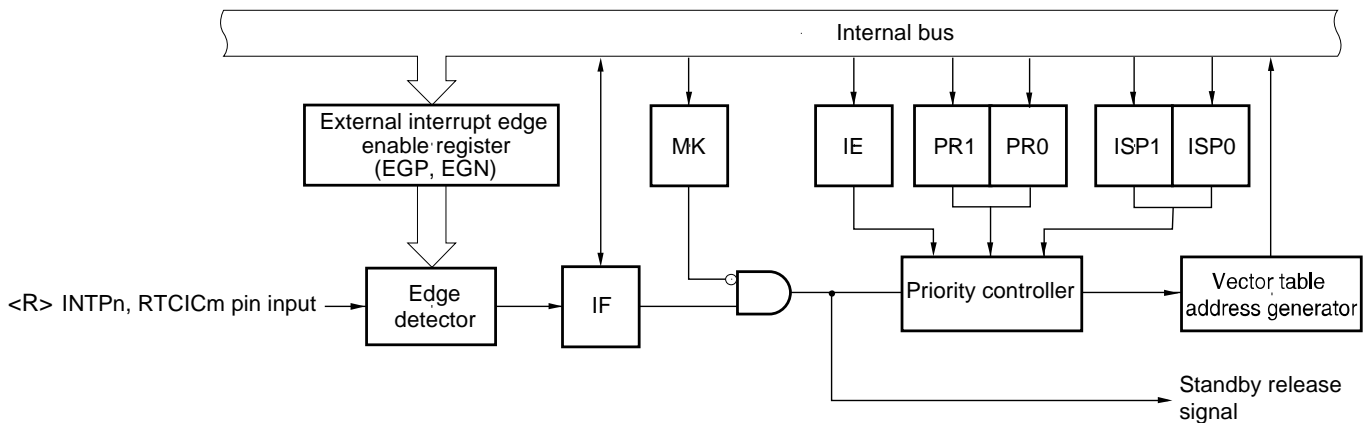
- Notes**
- The default priority determines the sequence of interrupts if two or more maskable interrupts occur simultaneously. Zero indicates the highest priority and 42 indicates the lowest priority.
 - Basic configuration types (A) to (C) correspond to (A) to (C) in Figure 24-1.
 - When bit 7 (LVIMD) of the voltage detection level register (LVIS) is set to 1.
 - When the instruction code in FFH is executed.
Reset by the illegal instruction execution not issued by emulation with the in-circuit emulator or on-chip debug emulator.

Figure 24-1. Basic Configuration of Interrupt Function

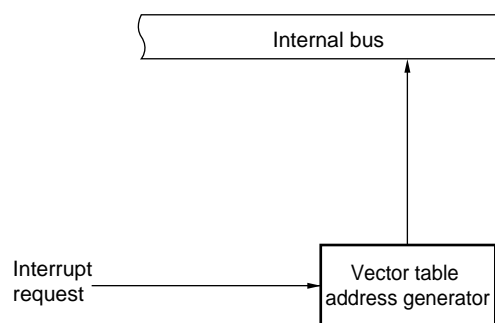
(A) Internal maskable interrupt



<R> (B) External maskable interrupt (INTPn, RTCICm)



(C) Software interrupt



- IF: Interrupt request flag
- IE: Interrupt enable flag
- ISP0: In-service priority flag 0
- ISP1: In-service priority flag 1
- MK: Interrupt mask flag
- PR0: Priority specification flag 0
- PR1: Priority specification flag 1

<R> **Remark** n = 0 to 7, m = 0 to 2

24.3 Registers Controlling Interrupt Functions

The following 6 types of registers are used to control the interrupt functions.

- Interrupt request flag registers (IF0L, IF0H, IF1L, IF1H, IF2L, IF2H, IF3L)
- Interrupt mask flag registers (MK0L, MK0H, MK1L, MK1H, MK2L, MK2H, MK3L)
- Priority specification flag registers (PR00L, PR00H, PR01L, PR01H, PR02L, PR02H, PR03L, PR10L, PR10H, PR11L, PR11H, PR12L, PR12H, PR13L)
- External interrupt rising edge enable register (EGP0, EGP1)
- External interrupt falling edge enable register (EGN0, EGN1)
- Program status word (PSW)

Table 24-2 shows a list of interrupt request flags, interrupt mask flags, and priority specification flags corresponding to interrupt request sources.

Table 24-2. Flags Corresponding to Interrupt Request Sources (1/3)

Interrupt Source	Interrupt Request Flag		Interrupt Mask Flag		Priority Specification Flag	
	Register	Register	Register	Register	Register	Register
INTWDTI	WDTIIF	IF0L	WDTIMK	MK0L	WDTIPR0, WDTIPR1	PR00L, PR10L
INTLVI	LVIIIF		LVIMK		LVIPR0, LVIPR1	
INTP0	PIF0		PMK0		PPR00, PPR10	
INTP1	PIF1		PMK1		PPR01, PPR11	
INTP2	PIF2		PMK2		PPR02, PPR12	
INTP3	PIF3		PMK3		PPR03, PPR13	
INTP4	PIF4		PMK4		PPR04, PPR14	
INTP5	PIF5		PMK5		PPR05, PPR15	
INTST2	STIF2	IF0H	STMK2	MK0H	STPR02, STPR12	PR00H, PR10H
INTSR2	SRIF2		SRMK2		SRPR02, SRPR12	
INTSRE2	SREIF2		SREMK2		SREPR02, SREPR12	
INTCR	CRIF		CRMK		CRPR0, CRPR1	
INTAES	AESIF		AESMK		AESPR0, AESPR1	
INTAESF	AESFIF		AESFMK		AESFPR0, AESFPR1	
INTCSI00	CSIF00		CSIMK00		CSIPR000, CSIPR100	
INTIIC00	IICIF00		IICMK00		IICPR000, IICPR100	
INTST0	STIF0		STMK0		STPR00, STPR10	
INTIICA0	IICAIF0		IICAMK0		IICAPR00, IICAPR10	
INTSR0	SRIF0		SRMK0		SRPR00, SRPR10	

Table 24-2. Flags Corresponding to Interrupt Request Sources (2/3)

Interrupt Source	Interrupt Request Flag		Interrupt Mask Flag		Priority Specification Flag				
		Register		Register		Register			
INTSRE0	SREIF0	IF1L	SREMK0	MK1L	SREPR00, SREPR10	PR01L, PR11L			
INTTM01H	TMIF01H		TMMK01H		TMPR001H, TMPR101H				
INTCSI10	CSIF10		CSIMK10		CSIPR010, CSIPR110				
INTIIC10	IICIF10		IICMK10		IICPR010, IICPR110				
INTST1	STIF1		STMK1		STPR01, STPR11				
INTSR1	SRIF1		SRMK1		SRPR01, SRPR11				
INTSRE1	SREIF1		SREMK1		SREPR01 SREPR11				
INTTM03H	TMIF03H		TMMK03H		TMPR003H, TMPR103H				
INTTM00	TMIF00		TMMK00		TMPR000, TMPR100				
INTFM	FMIF		FMMK		FMPR0, FMPR1				
INTTM01	TMIF01		TMMK01		TMPR001, TMPR101				
INTTM02	TMIF02	IF1H	TMMK02	MK1H	TMPR002, TMPR102	PR01H, PR11H			
INTTM03	TMIF03		TMMK03		TMPR003, TMPR103				
INTAD	ADIF		ADMK		ADPR0, ADPR1				
INTRTCALM	RTCAIF		RTCAMK		RTCAPR0, RTCAPR1				
INTRTCPRD	RTCRIF		RTCRMK		RTCRPR0, RTCRPR1				
INTIT	TMKAIF		TMKAMK		TMKAPR0, TMKAPR1				
INTKR	KRIF		KRMK		KRPR0, KRPR1				
INTCSI30	CSIF30		CSIMK30		CSIPR030, CSIPR130				
INTIIC30	IICIF30		IICMK30		IICPR030, IICPR130				
INTST3	STIF3		STMK3		STPR03, STPR13				
INTSR3	SRIF3		SRMK3		SRPR03, SRPR13				
INTDSAD	DSAIF		IF2L		DSAMK		MK2L	DSAPR0, DSAPR1	PR02L, PR12L
INTTM04	TMIF04				TMMK04			TMPR004, TMPR104	
INTTM05	TMIF05	TMMK05		TMPR005, TMPR105					
INTP6	PIF6	PMK6		PPR06, PPR16					
INTP7	PIF7	PMK7		PPR07, PPR17					
INTRTCIC0	RTCIIF0	RTCIMK0		RTCIPR00, RTCIPR10					
INTRTCIC1	RTCIIF1	RTCIMK1		RTCIPR01, RTCIPR11					
INTRTCIC2	RTCIIF2	RTCIMK2		RTCIPR02, RTCIPR12					

Table 24-2. Flags Corresponding to Interrupt Request Sources (3/3)

Interrupt Source	Interrupt Request Flag		Interrupt Mask Flag		Priority Specification Flag	
		Register		Register		Register
INTTM06	TMIF06	IF2H	TMMK06	MK2H	TMPR006, TMPR106	PR02H, PR12H
INTTM07	TMIF07		TMMK07		TMPR007, TMPR107	
INTIT00	ITIF00		ITMK00		ITPR000, ITPR100	
INTIT01	ITIF01		ITMK01		ITPR001, ITPR101	
INTSRE3	SREIF3		SREMK3		SREPR03, SREPR13	
INTMACLOF	MACIF		MACMK		MACPR0, MACPR1	
INTOSDC	OSDIF		OSDMK		OSDPR0, OSDPR1	
INTFL	FLIF		FLMK		FLPR0, FLPR1	
INTDSADZC0	DSAZIF0	IF3L	DSAZMK0	MK3L	DSAZPR00, DSAZPR10	PR03L, PR13L
INTDSADZC1	DSAZIF1		DSAZMK1		DSAZPR01, DSAZPR11	
INTIT10	ITIF10		ITMK10		ITPR010, ITPR110	
INTIT11	ITIF11		ITMK11		ITPR011, ITPR111	
INTLVDVDD	LVDVDIF		LVDVDMK		LVDVDPR0, LVDVDPR1	
INTLVDVBAT	LVDVBIF		LVDVBMK		LVDVBPR0, LVDVBPR1	
INTLVDVRTC	LVDVRIF		LVDVRMK		LVDVRPR0, LVDVRPR1	
INTLVDEXLVD	LVDEXIF		LVDEXMK		LVDEXPR0, LVDEXPR1	

24.3.1 Interrupt request flag registers (IF0L, IF0H, IF1L, IF1H, IF2L, IF2H, IF3L)

The interrupt request flags are set to 1 when the corresponding interrupt request is generated or an instruction is executed. They are cleared to 0 when an instruction is executed upon acknowledgment of an interrupt request or upon reset signal generation.

When an interrupt is acknowledged, the interrupt request flag is automatically cleared and then the interrupt routine is entered.

The IF0L, IF0H, IF1L, IF1H, IF2L, IF2H, and IF3L registers can be set by a 1-bit or 8-bit memory manipulation instruction. When the IF0L and IF0H registers, the IF1L and IF1H registers, and the IF2L and IF2H registers are combined to form 16-bit registers IF0, IF1, and IF2, they can be set by a 16-bit memory manipulation instruction.

Reset signal generation clears these registers to 00H.

Remark If an instruction that writes data to this register is executed, the number of instruction execution clocks increases by 2 clocks.

Figure 24-2. Format of Interrupt Request Flag Registers (IF0L, IF0H, IF1L, IF1H, IF2L, IF2H, IF3L) (1/2)

Address: FFFE0H After reset: 00H R/W

Symbol	<7>	<6>	<5>	<4>	<3>	<2>	<1>	<0>
IF0L	PIF5	PIF4	PIF3	PIF2	PIF1	PIF0	LVIF	WDTIF

Address: FFFE1H After reset: 00H R/W

Symbol	<7>	<6>	<5>	<4>	<3>	<2>	<1>	<0>
IF0H	SRIF0	IICAF0	STIF0 CSIF00 IICIF00	AESIF AESFIF	CRIF	SREIF2	SRIF2	STIF2

Address: FFFE2H After reset: 00H R/W

Symbol	<7>	<6>	5	<4>	<3>	<2>	<1>	<0>
<R> IF1L	TMIF01	FMIF	0	TMIF00	SREIF1 TMIF03H	SRIF1	STIF1 IICIF10 CSIF10	SREIF0 TMIF01H

Address: FFFE3H After reset: 00H R/W

Symbol	<7>	<6>	<5>	<4>	<3>	<2>	<1>	<0>
IF1H	SRIF3	STIF3 CSIF30 IICIF30	KRIF	TMKAIF	RTCAIF RTCRIF	ADIF	TMIF03	TMIF02

Address: FFFD0H After reset: 00H R/W

Symbol	<7>	<6>	<5>	<4>	<3>	<2>	<1>	<0>
IF2L	RTCIF2	RTCIF1	RTCIF0	PIF7	PIF6	TMIF05	TMIF04	DSAIF

Address: FFFD1H After reset: 00H R/W

Symbol	<7>	<6>	<5>	<4>	<3>	<2>	<1>	<0>
IF2H	FLIF	OSDIF	MACIF	SREIF3	ITIF01	ITIF00	TMIF07	TMIF06

Figure 24-2. Format of Interrupt Request Flag Registers (IF0L, IF0H, IF1L, IF1H, IF2L, IF2H, IF3L) (2/2)

Address: FFFD2H After reset: 00H R/W

Symbol	<7>	<6>	<5>	<4>	<3>	<2>	<1>	<0>
IF3L	LVDEXIF	LVDVRIF	LVDVBIF	LVDVDIF	ITIF11	ITIF10	DSAZIF1	DSAZIF0

XXIFX	Interrupt request flag
0	No interrupt request signal is generated
1	Interrupt request is generated, interrupt request status

- Cautions**
1. For details about the bits, see Table 24-2. Be sure to clear bits that are not available to 0.
 2. When manipulating a flag of the interrupt request flag register, use a 1-bit memory manipulation instruction (CLR1). When describing in C language, use a bit manipulation instruction such as “IF0L.0 = 0;” or “_asm(“clr1 IF0L, 0”);” because the compiled assembler must be a 1-bit memory manipulation instruction (CLR1).

If a program is described in C language using an 8-bit memory manipulation instruction such as “IF0L &= 0xfe;” and compiled, it becomes the assembler of three instructions.

```

mov a, IF0L
and a, #0FEH
mov IF0L, a
    
```

In this case, even if the request flag of the another bit of the same interrupt request flag register (IF0L) is set to 1 at the timing between “mov a, IF0L” and “mov IF0L, a”, the flag is cleared to 0 at “mov IF0L, a”. Therefore, care must be exercised when using an 8-bit memory manipulation instruction in C language.

24.3.2 Interrupt mask flag registers (MK0L, MK0H, MK1L, MK1H, MK2L, MK2H, MK3L)

The interrupt mask flags are used to enable/disable the corresponding maskable interrupt.

The MK0L, MK0H, MK1L, MK1H, MK2L, MK2H, and MK3L registers can be set by a 1-bit or 8-bit memory manipulation instruction. When the MK0L and MK0H registers, the MK1L and MK1H registers, and the MK2L and MK2H registers are combined to form 16-bit registers MK0, MK1, and MK2, they can be set by a 16-bit memory manipulation instruction.

Reset signal generation sets these registers to FFH.

Remark If an instruction that writes data to this register is executed, the number of instruction execution clocks increases by 2 clocks.

Figure 24-3. Format of Interrupt Mask Flag Registers (MK0L, MK0H, MK1L, MK1H, MK2L, MK2H, MK3L)

Address: FFFE4H After reset: FFH R/W

Symbol	<7>	<6>	<5>	<4>	<3>	<2>	<1>	<0>
MK0L	PMK5	PMK4	PMK3	PMK2	PMK1	PMK0	LVIMK	WDTIMK

Address: FFFE5H After reset: FFH R/W

Symbol	<7>	<6>	<5>	<4>	<3>	<2>	<1>	<0>
MK0H	SRMK0	IICAMK0	STMK0 CSIMK00 IICMK00	AESMK AESFMK	CRMK	SREMK2	SRMK2	STMK2

Address: FFFE6H After reset: FFH R/W

Symbol	<7>	<6>	5	<4>	<3>	<2>	<1>	<0>
<R> MK1L	TMMK01	FMMK	1	TMMK00	SREMK1 TMMK03H	SRMK1	STMK1 IICMK10 CSIMK10	SREMK0 TMMK01H

Address: FFFE7H After reset: FFH R/W

Symbol	<7>	<6>	<5>	<4>	<3>	<2>	<1>	<0>
MK1H	SRMK3	STMK3 CSIMK30 IICMK30	KRMK	TMKAMK	RTCAMK RTCRMK	ADMK	TMMK03	TMMK02

Address: FFFD4H After reset: FFH R/W

Symbol	<7>	<6>	<5>	<4>	<3>	<2>	<1>	<0>
MK2L	RTCIMK2	RTCIMK1	RTCIMK0	PMK7	PMK6	TMMK05	TMMK04	DSAMK

Address: FFFD5H After reset: FFH R/W

Symbol	<7>	<6>	<5>	<4>	<3>	<2>	<1>	<0>
MK2H	FLMK	OSDMK	MACMK	SREMK3	ITMK01	ITMK00	TMMK07	TMMK06

Address: FFFD6H After reset: FFH R/W

Symbol	<7>	<6>	<5>	<4>	<3>	<2>	<1>	<0>
MK3L	LVDEXMK	LVDVRMK	LVDVBMK	LVDVDMK	ITMK11	ITMK10	DSAZMK1	DSAZMK0

XXMKX	Interrupt servicing control
0	Interrupt servicing enabled
1	Interrupt servicing disabled

Caution For details about the bits, see Table 24-2. Be sure to set bits that are not available to the initial value.

24.3.3 Priority specification flag registers (PR00L, PR00H, PR01L, PR01H, PR02L, PR02H, PR03L, PR10L, PR10H, PR11L, PR11H, PR12L, PR12H, PR13L)

The priority specification flag registers are used to set the corresponding maskable interrupt priority level.

<R> A priority level is set by using the PR0xy and PR1xy registers in combination (xy = 0L, 0H, 1L, 1H, 2L, 2H, or 3L).

The PR00L, PR00H, PR01L, PR01H, PR02L, PR02H, PR03L, PR10L, PR10H, PR11L, PR11H, PR12L, PR12H, and the PR13L registers can be set by a 1-bit or 8-bit memory manipulation instruction. If the PR00L and PR00H registers, the PR01L and PR01H registers, the PR02L and PR02H registers, the PR10L and PR10H registers, the PR11L and PR11H registers, and the PR12L and PR12H registers are combined to form 16-bit registers PR00, PR01, PR02, PR10, PR11, and PR12, they can be set by a 16-bit memory manipulation instruction.

Reset signal generation sets these registers to FFH.

Remark If an instruction that writes data to this register is executed, the number of instruction execution clocks increases by 2 clocks.

Figure 24-4. Format of Priority Specification Flag Registers (PR00L, PR00H, PR01L, PR01H, PR02L, PR02H, PR03L, PR10L, PR10H, PR11L, PR11H, PR12L, PR12H, PR13L) (1/2)

Address: FFFE8H After reset: FFH R/W

Symbol	<7>	<6>	<5>	<4>	<3>	<2>	<1>	<0>
PR00L	PPR05	PPR04	PPR03	PPR02	PPR01	PPR00	LVIPR0	WDTIPR0

Address: FFFECH After reset: FFH R/W

Symbol	<7>	<6>	<5>	<4>	<3>	<2>	<1>	<0>
PR10L	PPR15	PPR14	PPR13	PPR12	PPR11	PPR10	LVIPR1	WDTIPR1

Address: FFFE9H After reset: FFH R/W

Symbol	<7>	<6>	<5>	<4>	<3>	<2>	<1>	<0>
PR00H	SRPR00	IICAPR00	STPR00 CSIPR000 IICPR000	AESPR0 AESFPR0	CRPR0	SREPR02	SRPR02	STPR02

Address: FFFEDH After reset: FFH R/W

Symbol	<7>	<6>	<5>	<4>	<3>	<2>	<1>	<0>
PR10H	SRPR10	IICAPR10	STPR10 CSIPR100 IICPR100	AESPR1 AESFPR1	CRPR1	SREPR12	SRPR12	STPR12

Address: FFFEAH After reset: FFH R/W

Symbol	<7>	<6>	5	<4>	<3>	<2>	<1>	<0>
<R> PR01L	TMPR001	FMPR0	1	TMPR000	SREPR01 TMPR003H	SRPR01	STPR01 IICPR010 CSIPR010	SREPR00 TMPR001H

Address: FFFEEH After reset: FFH R/W

Symbol	<7>	<6>	5	<4>	<3>	<2>	<1>	<0>
<R> PR11L	TMPR101	FMPR1	1	TMPR100	SREPR11 TMPR103H	SRPR11	STPR11 IICPR110 CSIPR110	SREPR10 TMPR101H

Figure 24-4. Format of Priority Specification Flag Registers (PR00L, PR00H, PR01L, PR01H, PR02L, PR02H, PR03L, PR10L, PR10H, PR11L, PR11H, PR12L, PR12H, PR13L) (2/2)

Address: FFFEBH After reset: FFH R/W

Symbol	<7>	<6>	<5>	<4>	<3>	<2>	<1>	<0>
PR01H	SRPR03	CSIPR030 IICPR030 STPR03	KRPR0	TMKAPR0	RTCAPR0 RTCRPR0	ADPR0	TMPR003	TMPR002

Address: FFFEFH After reset: FFH R/W

Symbol	<7>	<6>	<5>	<4>	<3>	<2>	<1>	<0>
PR11H	SRPR13	STPR13 IICPR130 CSIPR130	KRPR1	TMKAPR1	RTCAPR1 RTCRPR1	ADPR1	TMPR103	TMPR102

Address: FFFD8H After reset: FFH R/W

Symbol	<7>	<6>	<5>	<4>	<3>	<2>	<1>	<0>
PR02L	RTCIPR02	RTCIPR01	RTCIPR00	PPR07	PPR06	TMPR005	TMPR004	DSAPR0

Address: FFFDCH After reset: FFH R/W

Symbol	<7>	<6>	<5>	<4>	<3>	<2>	<1>	<0>
PR12L	RTCIPR12	RTCIPR11	RTCIPR10	PPR17	PPR16	TMPR105	TMPR104	DSAPR1

Address: FFFD9H After reset: FFH R/W

Symbol	<7>	<6>	<5>	<4>	<3>	<2>	<1>	<0>
PR02H	FLPR0	OSDPR0	MACPR0	SREPR03	ITPR001	ITPR000	TMPR007	TMPR006

Address: FFFDDH After reset: FFH R/W

Symbol	<7>	<6>	<5>	<4>	<3>	<2>	<1>	<0>
PR12H	FLPR1	OSDPR1	MACPR1	SREPR13	ITPR101	ITPR100	TMPR107	TMPR106

Address: FFFDAH After reset: FFH R/W

<R> Symbol	<7>	<6>	<5>	<4>	<3>	<2>	<1>	<0>
PR03L	LVDEXPR0	LVDVRPR0	LVDVBPR0	LVDVDPR0	ITPR011	ITPR010	DSAZPR01	DSAZPR00

Address: FFFDEH After reset: FFH R/W

Symbol	<7>	<6>	<5>	<4>	<3>	<2>	<1>	<0>
PR13L	LVDEXPR1	LVDVRPR1	LVDVBPR1	LVDVDPR1	ITPR111	ITPR110	DSAZPR11	DSAZPR10

XXPR1X	XXPR0X	Priority level selection
0	0	Specify level 0 (high priority level)
0	1	Specify level 1
1	0	Specify level 2
1	1	Specify level 3 (low priority level)

Caution For details about the bits, see Table 24-2. Be sure to set bits that are not available to the initial value.

24.3.4 External interrupt rising edge enable register (EGP0, EGP1), External interrupt falling edge enable register (EGN0, EGN1)

These registers specify the valid edge for INTP0 to INTP7 and RTCIC0 to RTCIC2.

The EGP0, EGP1, EGN0 and EGN1 registers can be set by a 1-bit or 8-bit memory manipulation instruction.

Reset signal generation clears these registers to 00H.

Figure 24-5. Format of External Interrupt Rising Edge Enable Register (EGP0, EGP1) and External Interrupt Falling Edge Enable Register (EGN0, EGN1)

Address: FFF38H After reset: 00H R/W

Symbol	7	6	5	4	3	2	1	0
EGP0	EGP7	EGP6	EGP5	EGP4	EGP3	EGP2	EGP1	EGP0

Address: FFF39H After reset: 00H R/W

Symbol	7	6	5	4	3	2	1	0
EGN0	EGN7	EGN6	EGN5	EGN4	EGN3	EGN2	EGN1	EGN0

Address: FFF3AH After reset: 00H R/W

Symbol	7	6	5	4	3	2	1	0
EGP1	0	EGP14	EGP13	EGP12	0	0	0	0

Address: FFF3BH After reset: 00H R/W

Symbol	7	6	5	4	3	2	1	0
EGN1	0	EGN14	EGN13	EGN12	0	0	0	0

<R>

EGPn	EGNn	INTP0 to INTP7 and RTCIC0 to RTCIC2 pin valid edge selection (n = 0 to 7, 12 to 14)
0	0	Edge detection disabled
0	1	Falling edge
1	0	Rising edge
1	1	Both rising and falling edges

Table 24-3 shows the ports corresponding to the EGPn and EGNn bits.

Table 24-3. Ports Corresponding to EGPn and EGNn bits

Detection Enable Bit		Interrupt Request Signal	80, 100-pin	64-pin
EGP0	EGN0	INTP0	√	√
EGP1	EGN1	INTP1	√	√
EGP2	EGN2	INTP2	√	√
EGP3	EGN3	INTP3	√	√
EGP4	EGN4	INTP4	√	√
EGP5	EGN5	INTP5	√	√
EGP6	EGN6	INTP6	√	√
EGP7	EGN7	INTP7	√	√
EGP12	EGP12	RTCIC0	√	-
EGP13	EGN13	RTCIC1	√	-
EGP14	EGN14	RTCIC2	√	-

Caution When the input port pins used for the external interrupt functions are switched to the output mode, the INTPn interrupt might be generated upon detection of a valid edge.

When switching the input port pins to the output mode, set the port mode register (PMxx) to 0 after disabling the edge detection (by setting EGPn and EGNn to 0).

Remarks 1. For edge detection port, see 2.1 Port Function List.

2. n = 0 to 7, 12 to 14

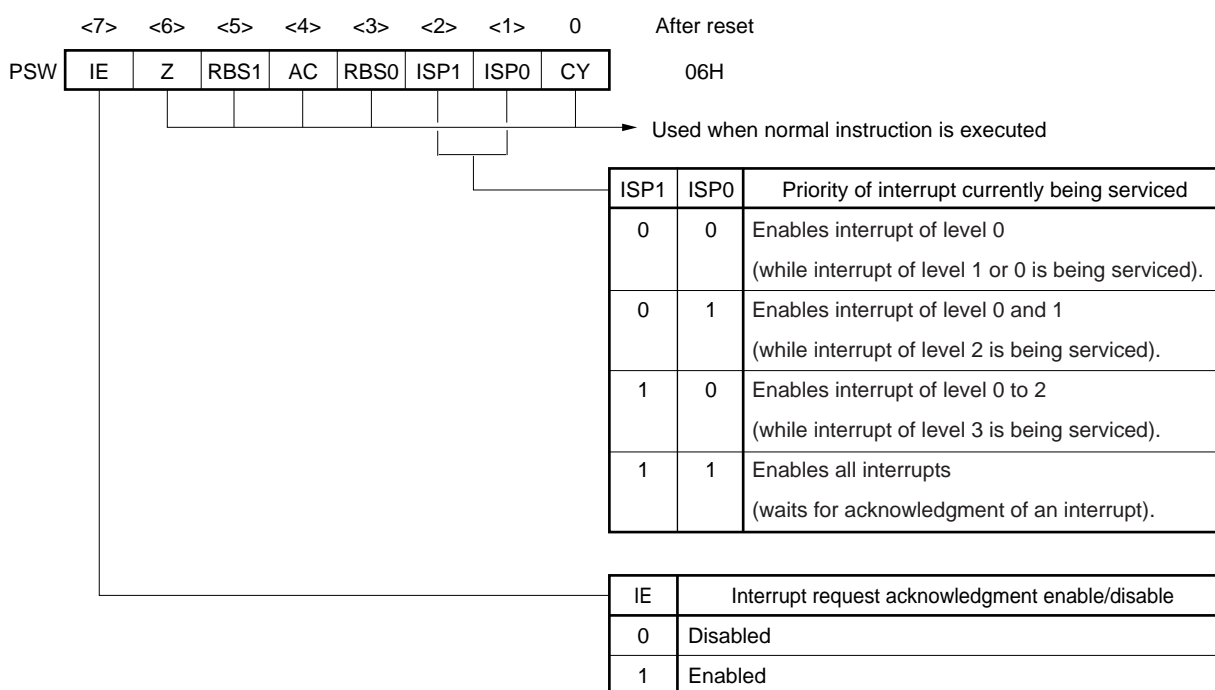
24.3.5 Program status word (PSW)

The program status word is a register used to hold the instruction execution result and the current status for an interrupt request. The IE flag that sets maskable interrupt enable/disable and the ISP0 and ISP1 flags that controls multiple interrupt servicing are mapped to the PSW.

Besides 8-bit read/write, this register can carry out operations using bit manipulation instructions and dedicated instructions (EI and DI). When a vectored interrupt request is acknowledged, if the BRK instruction is executed, the contents of the PSW are automatically saved into a stack and the IE flag is reset to 0. Upon acknowledgment of a maskable interrupt request, if the value of the priority specification flag register of the acknowledged interrupt is not 00, its value minus 1 is transferred to the ISP0 and ISP1 flags. The PSW contents are also saved into the stack with the PUSH PSW instruction. They are restored from the stack with the RETI, RETB, and POP PSW instructions.

Reset signal generation sets PSW to 06H.

Figure 24-6. Configuration of Program Status Word



24.4 Interrupt Servicing Operations

24.4.1 Maskable interrupt request acknowledgment

A maskable interrupt request becomes acknowledgeable when the interrupt request flag is set to 1 and the mask (MK) flag corresponding to that interrupt request is cleared to 0. A vectored interrupt request is acknowledged if interrupts are in the interrupt enabled state (when the IE flag is set to 1). However, a low-priority interrupt request is not acknowledged during servicing of a higher priority interrupt request.

The times from generation of a maskable interrupt request until vectored interrupt servicing is performed are listed in Table 24-4 below.

For the interrupt request acknowledgment timing, see **Figures 24-8 and 24-9**.

Table 24-4. Time from Generation of Maskable Interrupt Until Servicing

	Minimum Time	Maximum Time ^{Note}
Servicing time	9 clocks	16 clocks

Note Maximum time does not apply when an instruction from the internal RAM area is executed.

Remark 1 clock: $1/f_{CLK}$ (f_{CLK} : CPU clock)

If two or more maskable interrupt requests are generated simultaneously, the request with a higher priority level specified in the priority specification flag is acknowledged first. If two or more interrupts requests have the same priority level, the request with the highest default priority is acknowledged first.

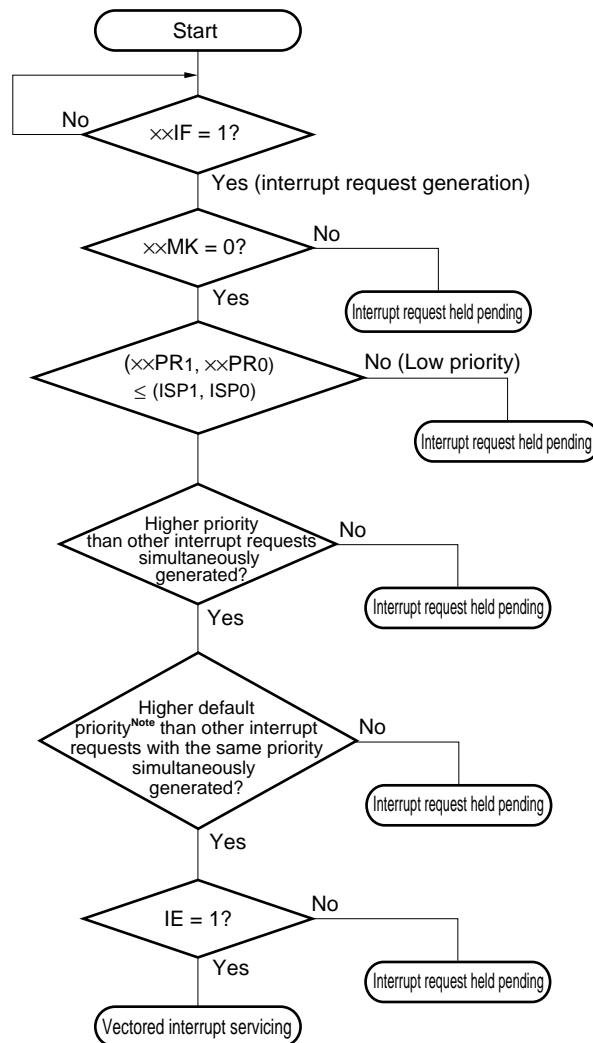
An interrupt request that is held pending is acknowledged when it becomes acknowledgeable.

Figure 24-7 shows the interrupt request acknowledgment algorithm.

If a maskable interrupt request is acknowledged, the contents are saved into the stacks in the order of PSW, then PC, the IE flag is reset (0), and the contents of the priority specification flag corresponding to the acknowledged interrupt are transferred to the ISP1 and ISP0 flags. The vector table data determined for each interrupt request is the loaded into the PC and branched.

Restoring from an interrupt is possible by using the RETI instruction.

Figure 24-7. Interrupt Request Acknowledgment Processing Algorithm



xxIF: Interrupt request flag

xxMK: Interrupt mask flag

xxPR0: Priority specification flag 0

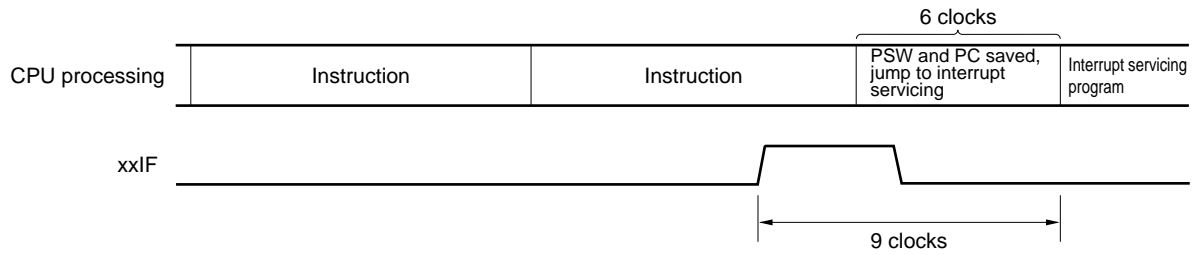
xxPR1: Priority specification flag 1

IE: Flag that controls acknowledgment of maskable interrupt request (1 = Enable, 0 = Disable)

ISP0, ISP1: Flag that indicates the priority level of the interrupt currently being serviced (see Figure 24-6)

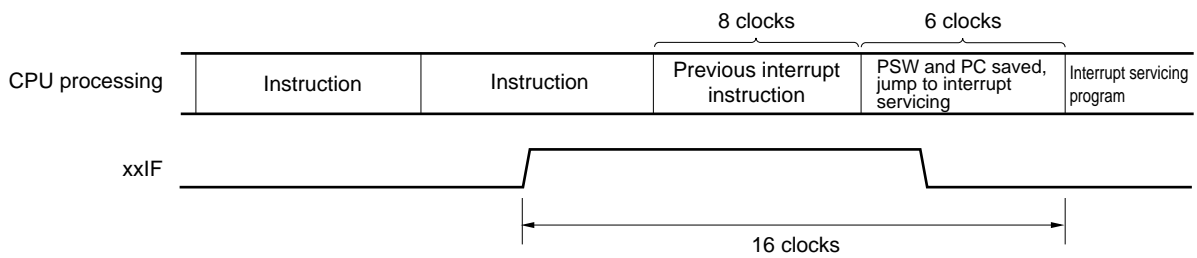
Note For the default priority, see Table 24-1 Interrupt Source List.

Figure 24-8. Interrupt Request Acknowledgment Timing (Minimum Time)



Remark 1 clock: $1/f_{CLK}$ (f_{CLK} : CPU clock)

Figure 24-9. Interrupt Request Acknowledgment Timing (Maximum Time)



Remark 1 clock: $1/f_{CLK}$ (f_{CLK} : CPU clock)

24.4.2 Software interrupt request acknowledgment

A software interrupt request is acknowledged by BRK instruction execution. Software interrupts cannot be disabled.

If a software interrupt request is acknowledged, the contents are saved into the stacks in the order of the program status word (PSW), then program counter (PC), the IE flag is reset (0), and the contents of the vector table (0007EH, 0007FH) are loaded into the PC and branched.

Restoring from a software interrupt is possible by using the RETB instruction.

Caution Can not use the RETI instruction for restoring from the software interrupt.

24.4.3 Multiple interrupt servicing

Multiple interrupt servicing occurs when another interrupt request is acknowledged during execution of an interrupt.

Multiple interrupt servicing does not occur unless the interrupt request acknowledgment enabled state is selected (IE = 1). When an interrupt request is acknowledged, interrupt request acknowledgment becomes disabled (IE = 0). Therefore, to enable multiple interrupt servicing, it is necessary to set (1) the IE flag with the EI instruction during interrupt servicing to enable interrupt acknowledgment.

Moreover, even if interrupts are enabled, multiple interrupt servicing may not be enabled, this being subject to interrupt priority control. Two types of priority control are available: default priority control and programmable priority control. Programmable priority control is used for multiple interrupt servicing.

In the interrupt enabled state, if an interrupt request with a priority equal to or higher than that of the interrupt currently being serviced is generated, it is acknowledged for multiple interrupt servicing. If an interrupt with a priority lower than that of the interrupt currently being serviced is generated during interrupt servicing, it is not acknowledged for multiple interrupt servicing. Interrupt requests that are not enabled because interrupts are in the interrupt disabled state or because they have a lower priority are held pending. When servicing of the current interrupt ends, the pending interrupt request is acknowledged following execution of at least one main processing instruction execution.

Table 24-5 shows relationship between interrupt requests enabled for multiple interrupt servicing and Figure 24-10 shows multiple interrupt servicing examples.

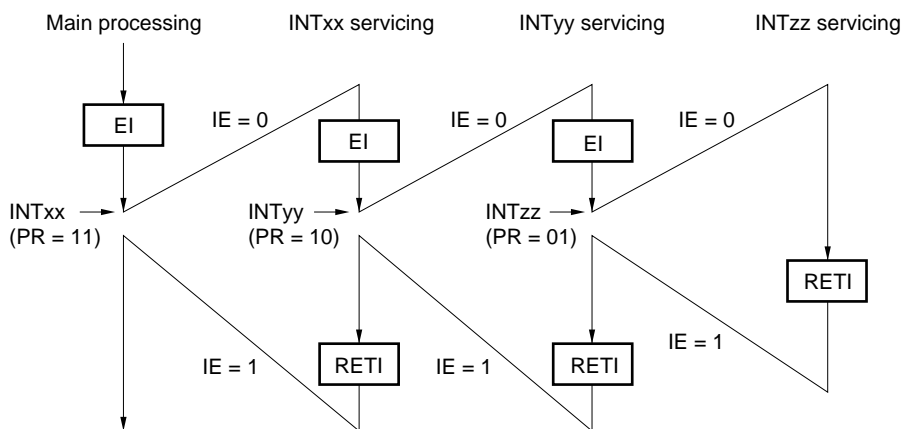
Table 24-5. Relationship Between Interrupt Requests Enabled for Multiple Interrupt Servicing During Interrupt Servicing

Multiple Interrupt Request Interrupt Being Serviced		Maskable Interrupt Request								Software Interrupt Request
		Priority Level 0 (PR = 00)		Priority Level 1 (PR = 01)		Priority Level 2 (PR = 10)		Priority Level 3 (PR = 11)		
		IE = 1	IE = 0	IE = 1	IE = 0	IE = 1	IE = 0	IE = 1	IE = 0	
Maskable interrupt	ISP1 = 0 ISP0 = 0	○	×	×	×	×	×	×	×	○
	ISP1 = 0 ISP0 = 1	○	×	○	×	×	×	×	×	○
	ISP1 = 1 ISP0 = 0	○	×	○	×	○	×	×	×	○
	ISP1 = 1 ISP0 = 1	○	×	○	×	○	×	○	×	○
Software interrupt		○	×	○	×	○	×	○	×	○

- Remarks**
- : Multiple interrupt servicing enabled
 - ×: Multiple interrupt servicing disabled
 - ISP0, ISP1, and IE are flags contained in the PSW.
 ISP1 = 0, ISP0 = 0: An interrupt of level 1 or level 0 is being serviced.
 ISP1 = 0, ISP0 = 1: An interrupt of level 2 is being serviced.
 ISP1 = 1, ISP0 = 0: An interrupt of level 3 is being serviced.
 ISP1 = 1, ISP0 = 1: Wait for an interrupt acknowledgment (all interrupts are enabled).
 IE = 0: Interrupt request acknowledgment is disabled.
 IE = 1: Interrupt request acknowledgment is enabled.
 - PR is a flag contained in the PR00L, PR00H, PR01L, PR01H, PR02L, PR02H, PR03L, PR10L, PR10H, PR11L, PR11H, PR12L, PR12H, and PR13L registers.
 PR = 00: Specify level 0 with $\text{xxPR1x} = 0, \text{xxPR0x} = 0$ (higher priority level)
 PR = 01: Specify level 1 with $\text{xxPR1x} = 0, \text{xxPR0x} = 1$
 PR = 10: Specify level 2 with $\text{xxPR1x} = 1, \text{xxPR0x} = 0$
 PR = 11: Specify level 3 with $\text{xxPR1x} = 1, \text{xxPR0x} = 1$ (lower priority level)

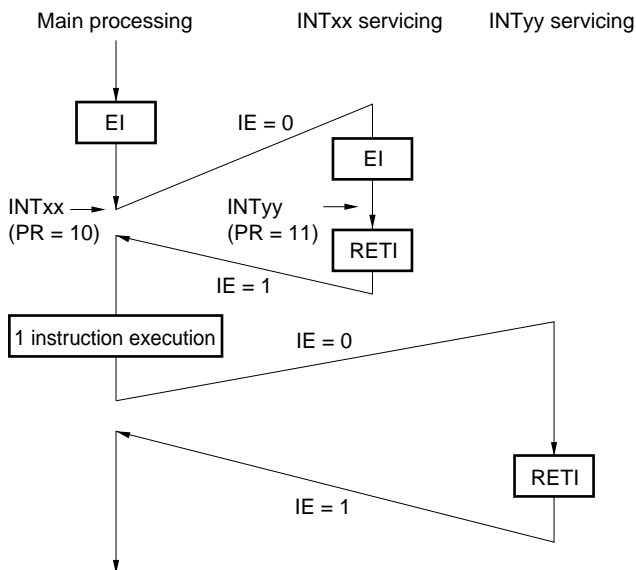
Figure 24-10. Examples of Multiple Interrupt Servicing (1/2)

Example 1. Multiple interrupt servicing occurs twice



During servicing of interrupt INTxx, two interrupt requests, INTyy and INTzz, are acknowledged, and multiple interrupt servicing takes place. Before each interrupt request is acknowledged, the EI instruction must always be issued to enable interrupt request acknowledgment.

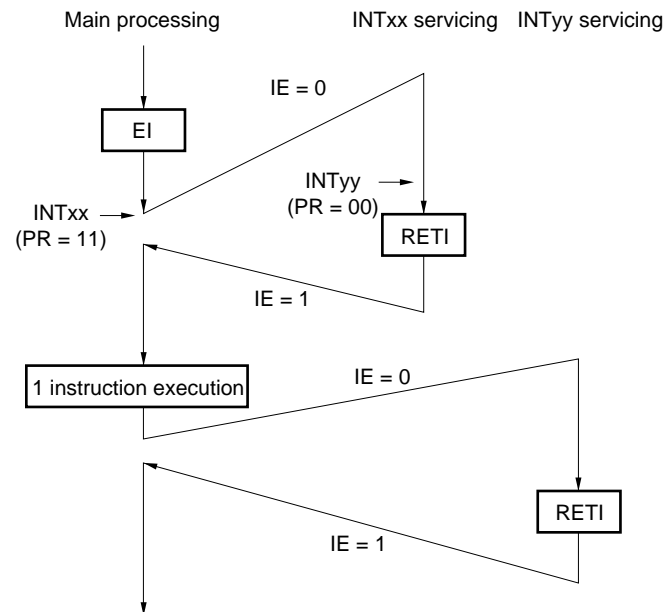
Example 2. Multiple interrupt servicing does not occur due to priority control



Interrupt request INTyy issued during servicing of interrupt INTxx is not acknowledged because its priority is lower than that of INTxx, and multiple interrupt servicing does not take place. The INTyy interrupt request is held pending, and is acknowledged following execution of one main processing instruction.

- PR = 00: Specify level 0 with $\times\times PR1\times = 0, \times\times PR0\times = 0$ (higher priority level)
- PR = 01: Specify level 1 with $\times\times PR1\times = 0, \times\times PR0\times = 1$
- PR = 10: Specify level 2 with $\times\times PR1\times = 1, \times\times PR0\times = 0$
- PR = 11: Specify level 3 with $\times\times PR1\times = 1, \times\times PR0\times = 1$ (lower priority level)
- IE = 0: Interrupt request acknowledgment is disabled
- IE = 1: Interrupt request acknowledgment is enabled.

Figure 24-10. Examples of Multiple Interrupt Servicing (2/2)

Example 3. Multiple interrupt servicing does not occur because interrupts are not enabled

Interrupts are not enabled during servicing of interrupt INTxx (EI instruction is not issued), therefore, interrupt request INTyy is not acknowledged and multiple interrupt servicing does not take place. The INTyy interrupt request is held pending, and is acknowledged following execution of one main processing instruction.

PR = 00: Specify level 0 with $\times\times PR1\times = 0$, $\times\times PR0\times = 0$ (higher priority level)

PR = 01: Specify level 1 with $\times\times PR1\times = 0$, $\times\times PR0\times = 1$

PR = 10: Specify level 2 with $\times\times PR1\times = 1$, $\times\times PR0\times = 0$

PR = 11: Specify level 3 with $\times\times PR1\times = 1$, $\times\times PR0\times = 1$ (lower priority level)

IE = 0: Interrupt request acknowledgment is disabled

IE = 1: Interrupt request acknowledgment is enabled.

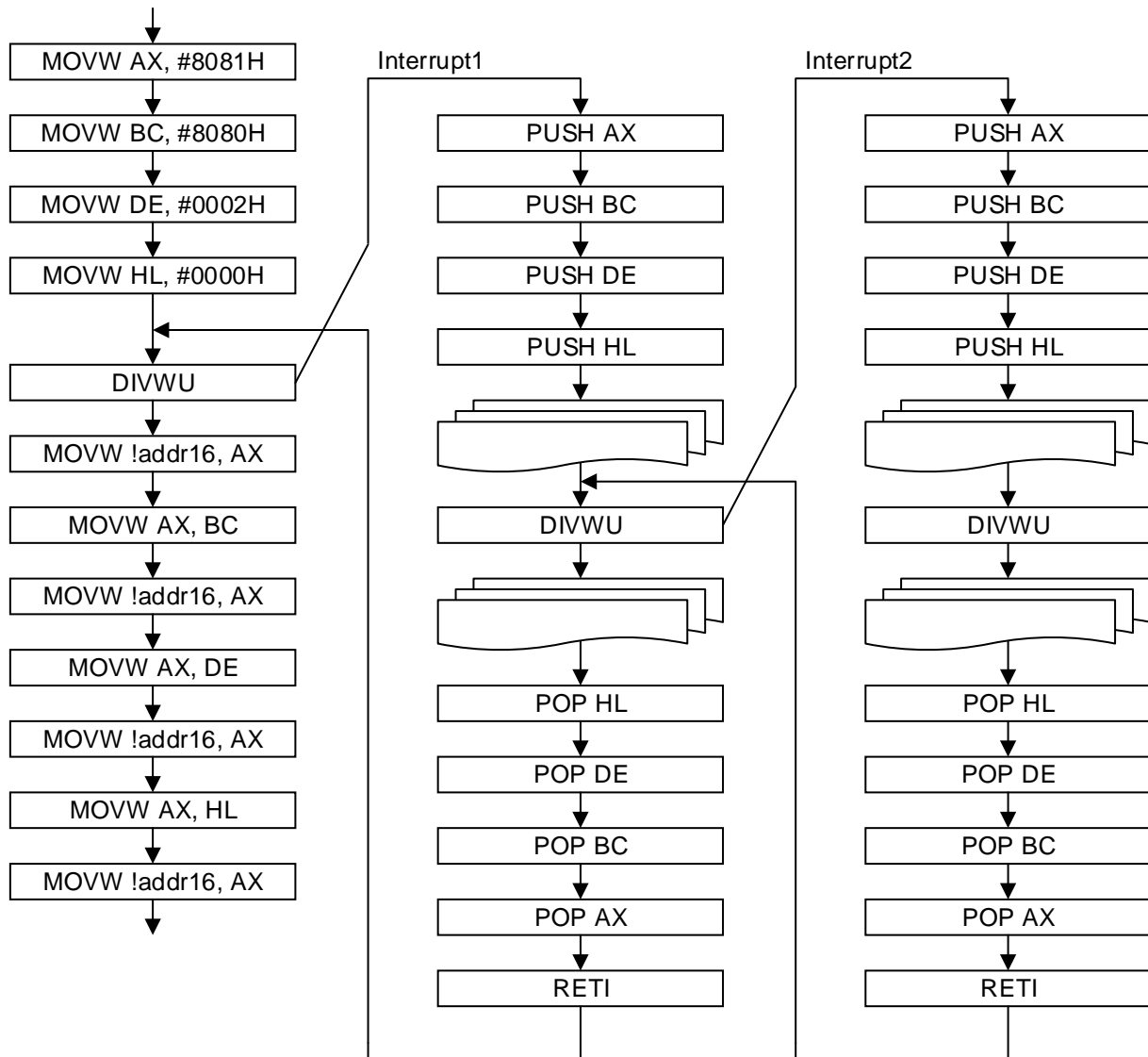
<R> 24.4.4 Interrupt servicing during division instruction

The RL78/I1C handles interrupts during the DIVHU/DIVWU instruction in order to enhance the interrupt response when a division instruction is executed.

- When an interrupt is generated while the DIVHU/DIVWU instruction is executed, the instruction is suspended
- After the instruction is suspended, the PC indicates the next instruction after DIVHU/DIVWU
- An interrupt is generated by the next instruction
- PC-3 is stacked to execute the DIVHU/DIVWU instruction again

Normal interrupt	Interrupts while Executing DIVHU/DIVWU Instruction
(SP-1) ← PSW	(SP-1) ← PSW
(SP-2) ← (PC)S	(SP-2) ← (PC-3)S
(SP-3) ← (PC)H	(SP-3) ← (PC-3)H
(SP-4) ← (PC)L	(SP-4) ← (PC-3)L
PCS ← 0000	PCS ← 0000
PCH ← (Vector)	PCH ← (Vector)
PCL ← (Vector)	PCL ← (Vector)
SP ← SP-4	SP ← SP-4
IE ← 0	IE ← 0

The AX, BC, DE, and HL registers are used for DIVHU/DIVWU. Use these registers by stacking them for interrupt servicing.



Caution Disable interrupts when executing the DIVHU or DIVWU instruction in an interrupt servicing routine. Alternatively, unless they are executed in the RAM area, note that execution of a DIVHU or DIVWU instruction is possible even with interrupts enabled as long as a NOP instruction is added immediately after the DIVHU or DIVWU instruction in the assembly language source code. The following compilers automatically add a NOP instruction immediately after any DIVHU or DIVWU instruction output during the build process.

- V. 1.71 and later versions of the CA78K0R (Renesas Electronics compiler), for both C and assembly language source code
- Service pack 1.40.6 and later versions of the EWRL78 (IAR compiler), for C language source code
- GNURL78 (KPIT compiler), for C language source code

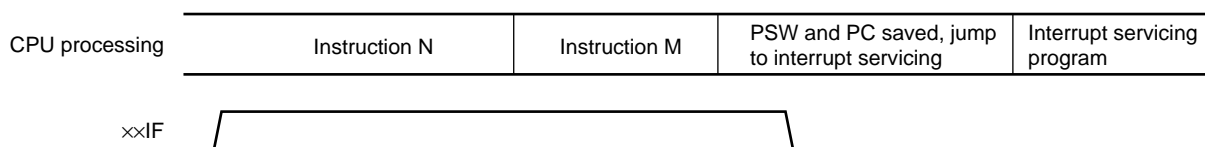
24.4.5 Interrupt request hold

There are instructions where, even if an interrupt request is issued while the instructions are being executed, interrupt request acknowledgment is held pending until the end of execution of the next instruction. These instructions (interrupt request hold instructions) are listed below.

- MOV PSW, #byte
- MOV PSW, A
- MOV1 PSW. bit, CY
- SET1 PSW. bit
- CLR1 PSW. bit
- RETB
- RETI
- POP PSW
- BTCLR PSW. bit, \$addr20
- EI
- DI
- SKC
- SKNC
- SKZ
- SKNZ
- SKH
- SKNH
- <R> • MULHU
- <R> • MULH
- <R> • MACHU
- <R> • MACH
- Write instructions for the IF0L, IF0H, IF1L, IF1H, IF2L, IF2H, IF3L, MK0L, MK0H, MK1L, MK1H, MK2L, MK2H, MK3L, PR00L, PR00H, PR01L, PR01H, PR02L, PR02H, PR03L, PR10L, PR10H, PR11L, PR11H, PR12L, PR12H, and PR13L registers

Figure 24-11 shows the timing at which interrupt requests are held pending.

Figure 24-11. Interrupt Request Hold



- Remarks**
1. Instruction N: Interrupt request hold instruction
 2. Instruction M: Instruction other than interrupt request hold instruction

CHAPTER 25 KEY INTERRUPT FUNCTION

The number of key interrupt input channels differs, depending on the product.

	64-pin	80-pin	100-pin
Key interrupt input channels	5 ch	8 ch	8 ch

25.1 Functions of Key Interrupt

A key interrupt (INTKR) can be generated by inputting a rising edge/falling edge to the key interrupt input pins (KR0 to KR3).

Table 25 - 1 Assignment of Key Interrupt Detection Pins

Key interrupt pins	Key return mode register 0 (KRM0)
KR0	KRM00
KR1	KRM01
KR2	KRM02
KR3	KRM03
KR4	KRM04
KR5	KRM05
KR6	KRM06
KR7	KRM07

Remark KR0 to KR4: 64-pin products
KR0 to KR7: 80, 100-pin products

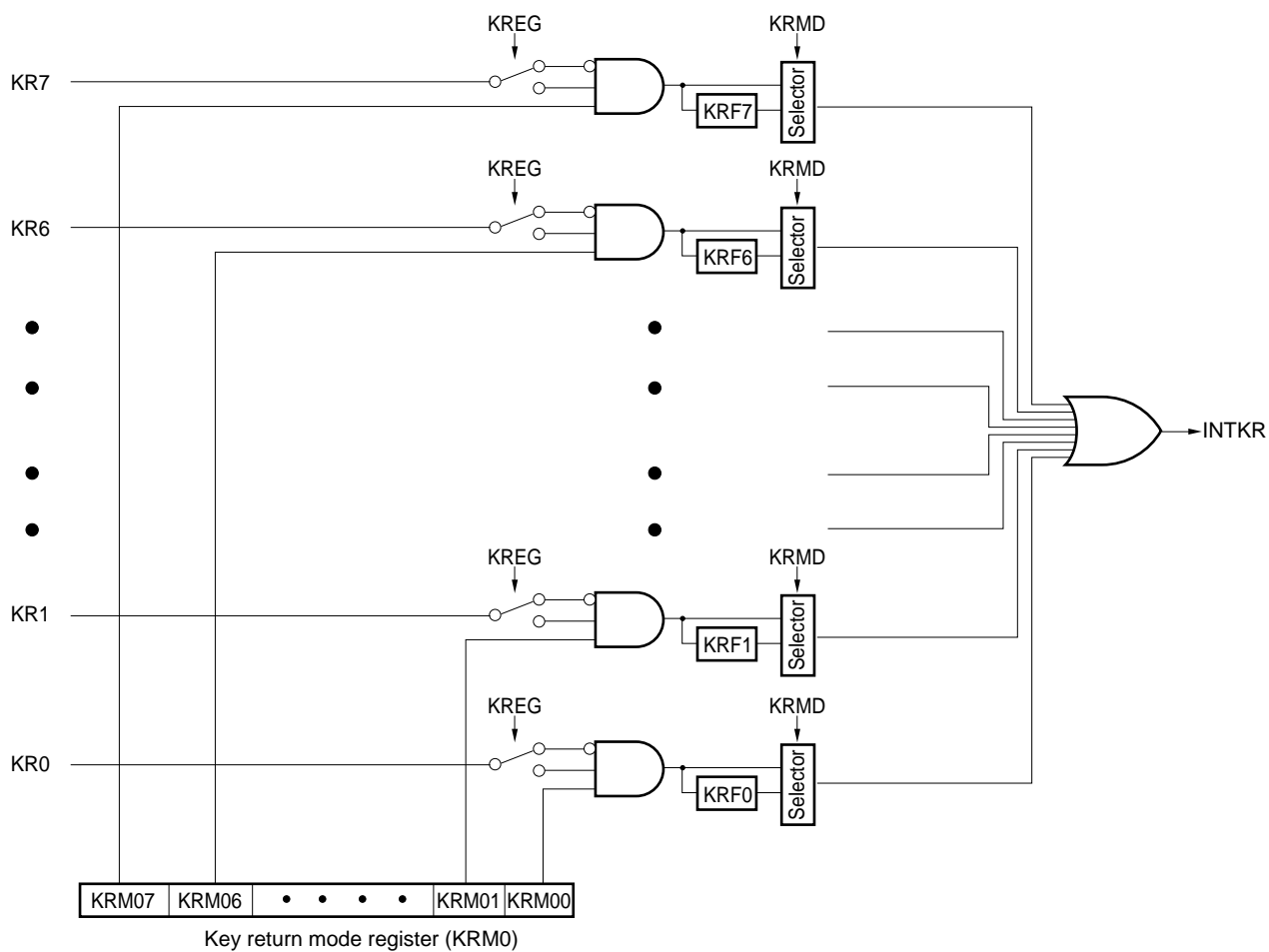
25.2 Configuration of Key Interrupt

The key interrupt includes the following hardware.

Table 25 - 2 Configuration of Key Interrupt

Item	Configuration
Control registers	Key return control register (KRCTL) Key return mode register 0 (KRM0) Key return flag register (KRF) Port mode register 7 (PM7)

Figure 25 - 1 Block Diagram of Key Interrupt



Remark KR0 to KR4: 64-pin products
 KR0 to KR7: 80, 100-pin products

25.3 Register Controlling Key Interrupt

The key interrupt function is controlled by the following registers.

- Key return control register (KRCTL)
- Key return mode register 0 (KRM0)
- Key return flag register (KRF)
- Port mode register 7 (PM7)

25.3.1 Key return control register (KRCTL)

This register controls the usage of the key return flags (KRF0 to KRF7) and sets the detection edge.

The KRCTL register can be set by a 1-bit or an 8-bit memory manipulation instruction.

Reset signal generation clears this register to 00H.

Figure 25 - 2 Format of Key return control register (KRCTL)

Address: FFF34H	After reset: 00H	R/W						
Symbol	<7>	6	5	4	3	2	1	<0>
KRCTL	KRMD	0	0	0	0	0	0	KREG
	KRMD	Usage of key return flags (KRF0 to KRF7)						
	0	Does not use key return flags						
	1	Uses key return flags						
	KREG	Selection of detection edge (KR0 to KR7)						
	0	Falling edge						
	1	Rising edge						

25.3.2 Key return mode register 0 (KRM0)

The KRM0 register controls the KR0 to KR7 signals.

The KRM0 register can be set by a 1-bit or an 8-bit memory manipulation instruction.

Reset signal generation clears this register to 00H.

Figure 25 - 3 Format of Key return mode register 0 (KRM0)

Address: FFF37H After reset: 00H R/W

Symbol 7 6 5 4 3 2 1 0

KRM0	KRM07	KRM06	KRM05	KRM04	KRM03	KRM02	KRM01	KRM00
------	-------	-------	-------	-------	-------	-------	-------	-------

KRM0n	Key interrupt mode control
0	Does not detect key interrupt signal
1	Detects key interrupt signal

Caution 1. The on-chip pull-up resistors can be applied by setting the corresponding key interrupt input pins (bits) in pull-up resistor register 7 (PU7) to 1.

Caution 2. An interrupt will be generated if the target bit of the KRM0 register is set while a low level (KREG is set to 0) or a high level (KREG is set to 1) is being input to the key interrupt input pin.

To ignore this interrupt, set the KRM0 register after disabling interrupt servicing by using the interrupt mask flag. Afterward, clear the interrupt request flag and enable interrupt servicing after waiting for the key interrupt input high-level and low-level widths (see 41. 4 AC Characteristics).

Caution 3. The pins not used in the key interrupt mode can be used as normal ports.

Remark n = 0 to 7

25.3.3 Key return flag register (KRF)

This register controls the key interrupt flags (KRF0 to KRF7).
 The KRF register can be set by an 8-bit memory manipulation instruction.
 Reset signal generation clears this register to 00H.

Figure 25 - 4 Format of Key return flag register (KRF)

Address: FFF35H After reset: 00H R/W Note

Symbol	7	6	5	4	3	2	1	0
KRF	KRF7	KRF6	KRF5	KRF4	KRF3	KRF2	KRF1	KRF0

KRFn	Key interrupt flag (n = 0 to 7)
0	No key interrupt signal has been detected.
1	A key interrupt signal has been detected.

Note Writing to 1 is invalid. To clear the KRFn bit, write 0 to the corresponding bit and 1 to the other bits using an 8-bit memory manipulation instruction.

25.3.4 Port mode register 7 (PM7)

These registers set the input and output of port 7 in 1-bit units.

To use a key interrupt input (KR0 to KR7), set 1 to the bit of port mode register (PM7) corresponding to each port.

The PM7 register can be set by a 1-bit or an 8-bit memory manipulation instruction.

Reset signal generation clears this register to FFH.

Figure 25 - 5 Format of Port mode register 7 (PM7)

Address: FFF27H After reset: FFH R/W

Symbol 7 6 5 4 3 2 1 0

PM7	PM77	PM76	PM75	PM74	PM73	PM72	PM71	PM70
-----	------	------	------	------	------	------	------	------

PM7n	I/O mode selection for PM7n pin (n = 0 to 7)
0	Output mode (output buffer on)
1	Input mode (output buffer off)

CHAPTER 26 STANDBY FUNCTION

26.1 Standby Function

The standby function reduces the operating current of the system, and the following three modes are available.

(1) HALT mode

HALT instruction execution sets the HALT mode. In the HALT mode, the CPU operation clock is stopped. If the high-speed system clock oscillator, high-speed on-chip oscillator, middle-speed on-chip oscillator, or subsystem clock oscillator is operating before the HALT mode is set, oscillation of each clock continues. In this mode, the operating current is not decreased as much as in the STOP mode, but the HALT mode is effective for restarting operation immediately upon interrupt request generation and carrying out intermittent operations frequently.

(2) STOP mode

STOP instruction execution sets the STOP mode. In the STOP mode, the high-speed system clock oscillator, high-speed on-chip oscillator, and middle-speed on-chip oscillator stop, stopping the whole system, thereby considerably reducing the CPU operating current.

Because this mode can be cleared by an interrupt request, it enables intermittent operations to be carried out. However, because a wait time is required to secure the oscillation stabilization time after the STOP mode is released when the X1 clock is selected, select the HALT mode if it is necessary to start processing immediately upon interrupt request generation.

(3) SNOOZE mode

In the case of CSIO or UART0 data reception, an A/D conversion request by the timer trigger signal (the interrupt request signal (INTRTCPRD/INTRTCALM/INTIT) or ELC event input), and DTC start source, the STOP mode is exited, the CSIO or UART0 data is received without operating the CPU, A/D conversion is performed, and DTC start source. This can only be specified when the high-speed on-chip oscillator or middle-speed on-chip oscillator is selected for the CPU/peripheral hardware clock (f_{CLK}).

In either of these two modes, all the contents of registers, flags and data memory just before the standby mode is set are held. The I/O port output latches and output buffer statuses are also held.

<R>

- Caution 1.** The STOP mode can be used only when the CPU is operating on the main system clock. Do not set to the STOP mode while the CPU operates with the subsystem clock. The HALT mode can be used when the CPU is operating on either the main system clock or the subsystem clock.
- Caution 2.** When shifting to the STOP mode, be sure to stop the peripheral hardware operation operating with main system clock before executing STOP instruction (except SNOOZE mode setting unit).
- Caution 3.** When using CSIO, UART0, or the A/D converter in the SNOOZE mode, set up serial standby control register m (SSCm) and A/D converter mode register 2 (ADM2) before switching to the STOP mode. For details, see 18.3 Registers Controlling Serial Array Unit and 15.3 Registers Controlling A/D Converter.
- Caution 4.** The following sequence is recommended for operating current reduction of the A/D converter when the standby function is used: First clear bit 7 (ADCS) and bit 0 (ADCE) of A/D converter mode register 0 (ADM0) to 0 to stop the A/D conversion operation, and then execute the STOP instruction.
- Caution 5.** It can be selected by the option byte whether the low-speed on-chip oscillator continues oscillating or stops in the HALT or STOP mode. For details, see CHAPTER 35 OPTION BYTE.

26.2 Registers controlling standby function

The registers which control the standby function are described below.

- Subsystem clock supply option control register (OSMC)
- Oscillation stabilization time counter status register (OSTC)
- Oscillation stabilization time select register (OSTS)

Remark For details of registers described above, see **CHAPTER 6 CLOCK GENERATOR**. For registers which control the SNOOZE mode, **CHAPTER 15 A/D CONVERTER** and **CHAPTER 18 SERIAL ARRAY UNIT**.

26.3 Standby Function Operation

26.3.1 HALT mode

(1) HALT mode

The HALT mode is set by executing the HALT instruction. HALT mode can be set regardless of whether the CPU clock before the setting was the high-speed system clock, high-speed on-chip oscillator clock, middle-speed on-chip oscillator clock, or subsystem clock.

The operating statuses in the HALT mode are shown below.

Caution Because the interrupt request signal is used to clear the HALT mode, if the interrupt mask flag is 0 (the interrupt processing is enabled) and the interrupt request flag is 1 (the interrupt request signal is generated), the HALT mode is not entered even if the HALT instruction is executed in such a situation.

Table 26 - 1 Operating Statuses in HALT Mode (1/4)

HALT Mode Setting		When HALT Instruction is Executed While CPU is Operating on Main System Clock									
		When CPU is Operating on High-speed On-chip Oscillator Clock (f _{IH})	When CPU is Operating on Middle-speed On-chip Oscillator Clock (f _{IM})	When CPU is Operating on X1 Clock (f _X)	When CPU is Operating on External Main System Clock (f _{EX})	When CPU is Operating on PLL Clock Frequency (f _{PLL})					
Item											
System clock		Clock supply to the CPU is stopped									
Main system clock	f _{IH}	Operation continues (cannot be stopped)	Operation disabled	Operation disabled		Operation continues (cannot be stopped)					
	f _{IM}	Operation disabled	Operation continues (cannot be stopped)	Operation disabled		Operation disabled					
	f _X	Operation disabled		Operation continues (cannot be stopped)	Cannot operate						
	f _{EX}			Cannot operate	Operation continues (cannot be stopped)						
	f _{PLL}	Operation disabled				Operation continues (cannot be stopped)					
Subsystem clock	f _{XT}	Status before HALT mode was set is retained. (Operation disabled when RTC power-on-reset occurs)									
	f _{EXS}										
Low-speed on-chip oscillator clock	f _{IL}	Set by bits 0 (WDSTBYON) and 4 (WDTON) of option byte (000C0H), and WUTMMCK0 bit of subsystem clock supply option control register (OSMC) WUTMMCK0 = 1 or SELLOSC = 1: Oscillates (Setting of WUTMMCK0 = 1 and SELLOSC = 1 is prohibited while the sub clock (f _{EX}) operates.) WUTMMCK0 = 0, SELLOSC = 0, and WDTON = 0: Stop WUTMMCK0 = 0, SELLOSC = 0, WDTON = 1, and WDSTBYON = 1: Oscillates WUTMMCK0 = 0, SELLOSC = 0, WDTON = 1, and WDSTBYON = 0: Stop									
CPU		Operation stopped									
Code flash memory		Operation stopped (Operable while in the DTC is executed)									
Data flash memory											
RAM		Operation stopped (Operable while in the DTC is executed)									
Port (latch)		Status before HALT mode was set is retained. (Rewriting the port register by the DTC can change the port pin setting.)									
Timer array unit		Operable									
Independent power supply real-time clock (RTC)		Operable (Operation stopped when RTC power-on-reset occurs)									
Frequency measurement function		Operation disable	Operable								
High-speed on-chip oscillator clock frequency correction function		Operable (when f _{XT} or f _{EXS} is supplied)		Operation disabled							
Oscillation stop detection		Operable (only when f _{IL} is oscillating)									
Battery backup function		Operable									
12-bit interval timer		Operable									
8-bit interval timer											
Watchdog timer		See CHAPTER 14 WATCHDOG TIMER.									
Clock output/buzzer output		Operable									
10-bit resolution A/D converter		Operable									
24-bit ΔΣ A/D converter											
Temperature sensor 2											
Serial array unit (SAU)											
IrDA											
Serial interface (IICA)											
LCD controller/driver											
Data transfer controller (DTC)											
Event link controller (ELC)							Operable function blocks can be linked				

Remark Operation stopped: Operation is automatically stopped before switching to HALT mode.

Operation disabled: Operation is stopped before switching to the HALT mode.

f_{IH}: High-speed on-chip oscillator clock f_{IL}: Low-speed on-chip oscillator clock

f_{IM}: Middle-speed on-chip oscillator clock f_{PLL}: PLL clock frequency

f_{EX}: External main system clock f_X: X1 clock

f_{EXS}: External subsystem clock f_{XT}: XT1 clock

Table 26 - 1 Operating Statuses in HALT Mode (2/4)

HALT Mode Setting		When HALT Instruction is Executed While CPU is Operating on Main System Clock				
		When CPU is Operating on High-speed On-chip Oscillator Clock (f _{ih})	When CPU is Operating on Middle-speed On-chip Oscillator Clock (f _{im})	When CPU is Operating on X1 Clock (f _x)	When CPU is Operating on External Main System Clock (f _{ex})	When CPU is Operating on PLL Clock Frequency (f _{pll})
Item						
32-bit multiplier and multiply accumulator		Operation disable				
AES circuit		Operable				
Power-on-reset function						
RTC power-on-reset function						
Voltage detection function	Internal power supply voltage (internal V _{DD})					
	V _{DD} , V _{BAT} , V _{RTC} , EXLVD pin supply voltage					
External interrupt	INTP0 to INTP7					
	RTCIC0 to RTCIC2					
Key interrupt function						
CRC operation function	High-speed CRC					
	General-purpose CRC					
Illegal-memory access detection function		Operation stopped (Operable when DTC is executed.)				
RAM parity error detection function						
RAM guard function						
SFR guard function						

Remark Operation stopped: Operation is automatically stopped before switching to HALT mode.
 Operation disabled: Operation is stopped before switching to the HALT mode.

f_{ih}: High-speed on-chip oscillator clock f_{il}: Low-speed on-chip oscillator clock
 f_{im}: Middle-speed on-chip oscillator clock f_{pll}: PLL clock frequency
 f_{ex}: External main system clock f_x: X1 clock
 f_{exs}: External subsystem clock f_{xt}: XT1 clock

Table 26 - 1 Operating Statuses in HALT Mode (3/4)

Item		HALT Mode Setting		
		When HALT Instruction is Executed While CPU is Operating on Subsystem Clock		
		When CPU is Operating on XT1 Clock (f _{XT1})	When CPU is Operating on External Subsystem Clock (f _{EXS})	When CPU is Operating on Low-speed on-chip oscillator clock (f _{IL})
System clock		Clock supply to the CPU is stopped.		
Main system clock	f _{IH}	Operation disabled		
	f _{IM}			
	f _X			
	f _{EX}			
	f _{PLL}			
Subsystem clock	f _{XT1}	Operation continues (cannot be stopped) (Operation disabled when RTC power-on-reset occurs)	Cannot operate	Operation disabled
	f _{EXS}	Cannot operate	Operation continues (cannot be stopped) (Operation disabled when RTC power-on-reset occurs)	Operation disabled
Low-speed on-chip oscillator clock	f _{IL}	Set by bits 0 (WDSTBYON) and 4 (WDTON) of the option byte (000C0H) and bit 4 (WUTMMCK0) of the subsystem clock supply option control register (OSMC). • WUTMMCK0 = 1 or SELLOSC = 1: Oscillates (However, setting the WUTMMCK0 and SELLOSC bits to 1 is prohibited while the sub clock (f _{EXS}) operates.) • WUTMMCK0 = 0, SELLOSC = 0, and WDTON=0: Stops • WUTMMCK0 = 0, SELLOSC = 0, WDTON = 1, and WDSTBYON = 1: Oscillates • WUTMMCK0 = 0, SELLOSC = 0, WDTON = 1, and WDSTBYON = 0: Stops		Operation continues (cannot be stopped)
CPU		Operation stopped		
Code flash memory				
Data flash memory				
RAM		Operation stopped (Operable while in the DTC is executed)		
Port (latch)		Status before HALT mode was set is retained (rewriting the port register by the DTC can change the port pin setting).		
Timer array unit		Operates when the RTCLPC bit is 0 (operation is disabled when the RTCLPC bit is not 0).		Operable
Independent power supply real-time clock (RTC)		Operable (Operation stopped when RTC power-on-reset occurs)		
Frequency measurement function		Operation disabled		
High-speed on-chip oscillator clock frequency correction function				
Oscillation stop detection				
Battery backup function		Operable		
12-bit Interval timer				
8-bit Interval timer				
Watchdog timer		See CHAPTER 14 WATCHDOG TIMER.		
Clock output/buzzer output		Operates when the subsystem clock is selected as the clock source for counting.		
10-bit resolution A/D converter		Operation disabled		
24-bit ΔΣ A/D converter				
Temperature sensor 2				
Serial array unit (SAU)		Operates when the RTCLPC bit is 0 (operation is disabled when the RTCLPC bit is not 0).		Operable
IrDA		Operation disabled		
Serial interface (IICA)		Operation disabled		
LCD controller/driver		Operable (However, this depends on the status of the clock selected as the LCD source clock: operation is possible if the selected clock is operating, but operation will stop if the selected clock is stopped.)		
Data transfer controller (DTC)		Operates when the RTCLPC bit is 0 (operation is disabled when the RTCLPC bit is not 0).		Operable
Event link controller (ELC)		Operable function blocks can be linked		
32-bit multiplier and multiply accumulator		Operation disable		

(Remark is listed on the next page.)

Table 26 - 1 Operating Statuses in HALT Mode (4/4)

HALT Mode Setting		When HALT Instruction is Executed While CPU is Operating on Subsystem Clock		
		When CPU is Operating on XT1 Clock (f _{XT})	When CPU is Operating on External Subsystem Clock (f _{EXS})	When CPU is Operating on Low-speed on-chip oscillator clock (f _{IL})
AES circuit		Operable		
Power-on-reset function				
RTC power-on-reset function				
Voltage detection function	Internal power supply voltage (internal V _{DD})			
	V _{DD} , V _{BAT} , V _{RTC} , EXLVD pin supply voltage			
External interrupt	INTP0 to INTP7			
	RTCIC0 to RTCIC2			
Key interrupt function				
CRC operation function	High-speed CRC	Operation disabled		
	General-purpose CRC	In the calculation of the RAM area, operable when DTC is executed only		
Illegal-memory access detection function		Operable when DTC is executed only		
RAM parity error detection function				
RAM guard function				
SFR guard function				

Remark Operation stopped: Operation is automatically stopped before switching to the HALT mode.

Operation disabled: Operation is stopped before switching to the HALT mode.

f_{IH}: High-speed on-chip oscillator clock

f_{IL}: Low-speed on-chip oscillator clock

f_{IM}: Middle-speed on-chip oscillator clock

f_X: X1 clock

f_{EX}: External main system clock

f_{XT}: XT1 clock

f_{EXS}: External subsystem clock

f_{PLL}: PLL clock frequency

<R>

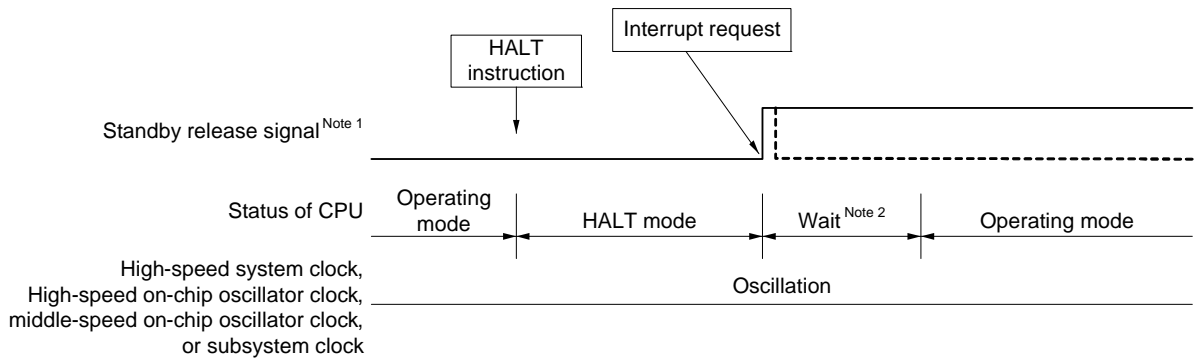
(2) HALT mode release

The HALT mode can be released by the following two sources.

(a) Release by unmasked interrupt request

When an unmasked interrupt request is generated, the HALT mode is released. If interrupt acknowledgment is enabled, vectored interrupt servicing is carried out. If interrupt acknowledgment is disabled, the next address instruction is executed.

Figure 26 - 1 HALT Mode Release by Interrupt Request Generation



Note 1. For details of the standby release signal, see **Figure 24 - 1 Basic Configuration of Interrupt Function**.

Note 2. Wait time for HALT mode release

- When vectored interrupt servicing is carried out
 - Main system clock: 15 to 16 clocks
 - Subsystem clock (RTCLPC = 0): 10 to 11 clocks
 - Subsystem clock (RTCLPC = 1): 11 to 12 clocks
- When vectored interrupt servicing is not carried out
 - Main system clock: 9 to 10 clocks
 - Subsystem clock (RTCLPC = 0): 4 to 5 clocks
 - Subsystem clock (RTCLPC = 1): 5 to 6 clocks

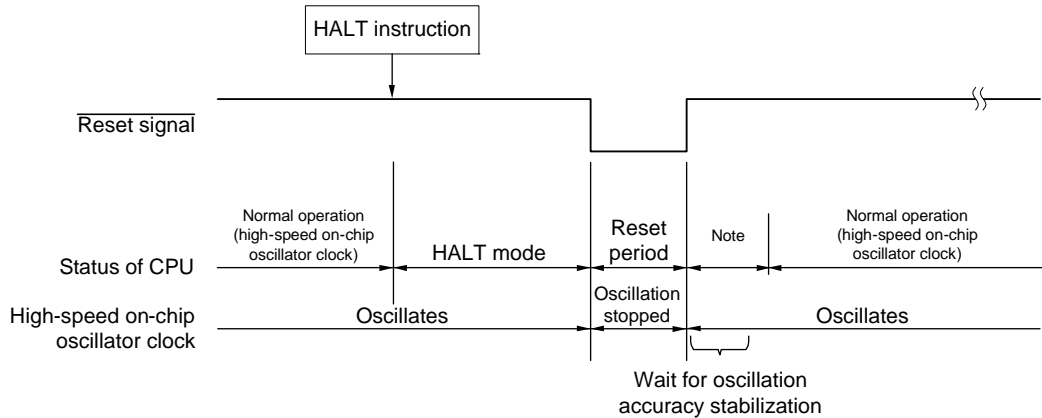
Remark The broken lines indicate the case when the interrupt request which has released the standby mode is acknowledged.

(b) Release by reset signal generation

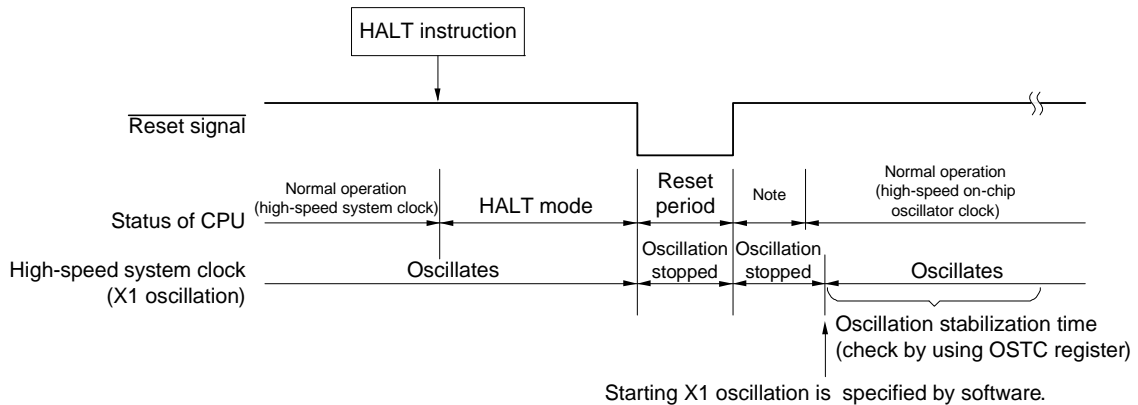
When the reset signal is generated, HALT mode is released, and then, as in the case with a normal reset operation, the program is executed after branching to the reset vector address.

Figure 26 - 2 HALT Mode Release by Reset (1/2)

(1) When high-speed on-chip oscillator clock is used as CPU clock



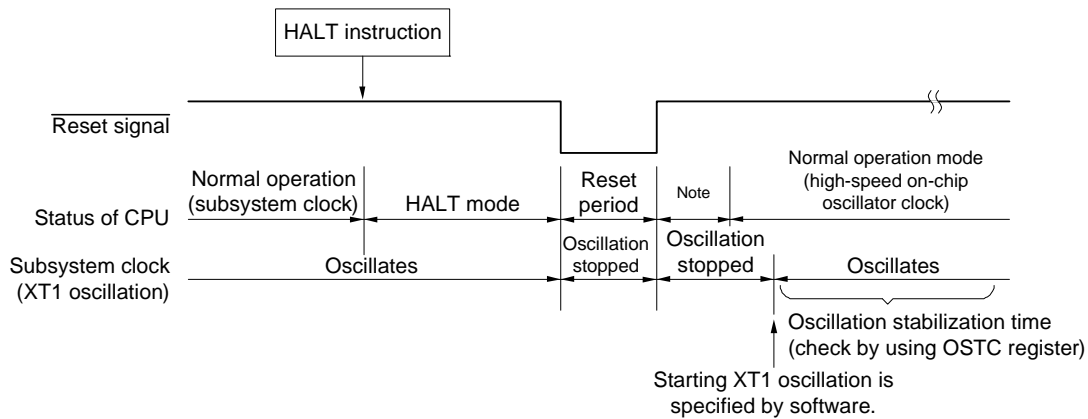
(2) When high-speed system clock is used as CPU clock



Note For the reset processing time, see **CHAPTER 27 RESET FUNCTION**.
 For the reset processing time of the power-on-reset circuit (POR) and voltage detector (LVD), see **CHAPTER 28 POWER-ON-RESET CIRCUIT**.

Figure 26 - 2 HALT Mode Release by Reset (2/2)

(3) When subsystem clock is used as CPU clock



Note For the reset processing time, see **CHAPTER 27 RESET FUNCTION**.
 For the reset processing time of the power-on-reset circuit (POR) and voltage detector (LVD), see **CHAPTER 28 POWER-ON-RESET CIRCUIT**.

26.3.2 STOP mode

(1) STOP mode setting and operating statuses

The STOP mode is set by executing the STOP instruction, and it can be set only when the CPU clock before the setting was the high-speed on-chip oscillator clock, middle-speed on-chip oscillator clock, X1 clock, or external main system clock.

Caution Because the interrupt request signal is used to clear the STOP mode, if the interrupt mask flag is 0 (the interrupt processing is enabled) and the interrupt request flag is 1 (the interrupt request signal is generated), the STOP mode is immediately cleared if set when the STOP instruction is executed in such a situation.
 Accordingly, once the STOP instruction is executed, the system returns to its normal operating mode after the elapse of release time from the STOP mode.

The operating statuses in the STOP mode are shown below.

<R>

Table 26 - 2 Operating Statuses in STOP Mode (1/2)

STOP Mode Setting Item		When STOP Instruction is Executed While CPU is Operating on Main System Clock			
		When CPU is Operating on High-speed On-chip Oscillator Clock (f_{IH})	When CPU is Operating on Middle-speed On-chip Oscillator Clock (f_{IM})	When CPU is Operating on X1 Clock (f_x)	When CPU is Operating on External Main System Clock (f_{EX})
System clock		Clock supply to the CPU is stopped			
Main system clock	f_{IH}	Stopped			
	f_{IM}				
	f_x				
	f_{EX}				
	f_{PLL}				
Subsystem clock	f_{XT}	Status before STOP mode was set is retained (Operation disabled when RTC power-on-reset occurs)			
	f_{EXS}				
Low-speed on-chip oscillator clock	f_{IL}	Set by bits 0 (WDSTBYON) and 4 (WDTON) of option byte (000C0H), and WUTMMCK0 bit of subsystem clock supply option control register (OSMC) WUTMMCK0 = 1 or SELLOSC = 1: Oscillates (Setting of WUTMMCK0 = 1 and SELLOSC = 1 is prohibited while the sub clock (f_x) operates.) WUTMMCK0 = 0, SELLOSC = 0, and WDTON = 0: Stop WUTMMCK0 = 0, SELLOSC = 0, WDTON = 1, and WDSTBYON = 1: Oscillates WUTMMCK0 = 0, SELLOSC = 0, WDTON = 1, and WDSTBYON = 0: Stop			
CPU		Operation stopped			
Code flash memory		Operation stopped (Transition to the STOP mode is not possible while rewriting the data flash memory)			
Data flash memory					
RAM		Operation stopped			
Port (latch)		Status before STOP mode was set is retained			
Timer array unit		Operation disabled			
Independent power supply real-time clock (RTC)		Operable (Operation stopped when RTC power-on-reset occurs)			
Frequency measurement function		Operation disabled			
High-speed on-chip oscillator clock frequency correction function					
Oscillation stop detection		Operable (only when f_x is oscillating)			
Battery backup function		Operable			
12-bit interval timer					
8-bit interval timer					
Watchdog timer		See CHAPTER 14 WATCHDOG TIMER .			
Clock output/buzzer output		Operates when the subsystem clock is selected as the clock source for counting.			
10-bit resolution A/D converter		Wakeup operation is enabled (switching to SNOOZE mode)			
24-bit $\Delta\Sigma$ A/D converter		Operation disabled			
Temperature sensor 2					
Serial array unit (SAU)		Wakeup operation is enabled only for CSI00 and UART0 (switching to SNOOZE mode). Operation is disabled for anything other than CSI00 and UART0.			
IrDA		Operation disabled			
Serial interface (IICA)		Wakeup by address match operable			
LCD controller/driver		Operable (However, this depends on the status of the clock selected as the LCD source clock:operation is possible if the selected clock is operating, but operation will stop if the selected clock is stopped.)			
Data transfer controller (DTC)		Operable			
Event link controller (ELC)		Operable function blocks can be linked			
32-bit multiplier and multiply accumulator		Operation disabled			
AES circuit					

(Remark is listed on the next page.)

Table 26 - 2 Operating Statuses in STOP Mode (2/2)

STOP Mode Setting		When STOP Instruction is Executed While CPU is Operating on Main System Clock			
		When CPU is Operating on High-speed On-chip Oscillator Clock (f _{ih})	When CPU is Operating on Middle-speed On-chip Oscillator Clock (f _{im})	When CPU is Operating on X1 Clock (f _x)	When CPU is Operating on External Main System Clock (f _{ex})
Power-on-reset function		Operable			
RTC power-on-reset function					
Voltage detection function	Internal power supply voltage (internal V _{DD})				
	V _{DD} , V _{BAT} , V _{RTC} , EXLVD pin supply voltage				
External interrupt	INTP0 to INTP7				
	RTCIC0 to RTCIC2				
Key interrupt function					
CRC operation function	High-speed CRC	Operation stopped			
	General-purpose CRC				
Illegal-memory access detection function					
RAM parity error detection function					
RAM guard function					
SFR guard function					

Remark Operation stopped: Operation is automatically stopped before switching to the STOP mode.
 Operation disabled: Operation is stopped before switching to the STOP mode.
 f_{ih}: High-speed on-chip oscillator clock f_{il}: Low-speed on-chip oscillator clock
 f_{im}: Middle-speed on-chip oscillator clock f_x: X1 clock
 f_{ex}: External main system clock f_{XT}: XT1 clock
 f_{EXS}: External subsystem clock f_{PLL}: PLL clock frequency

(2) STOP mode release

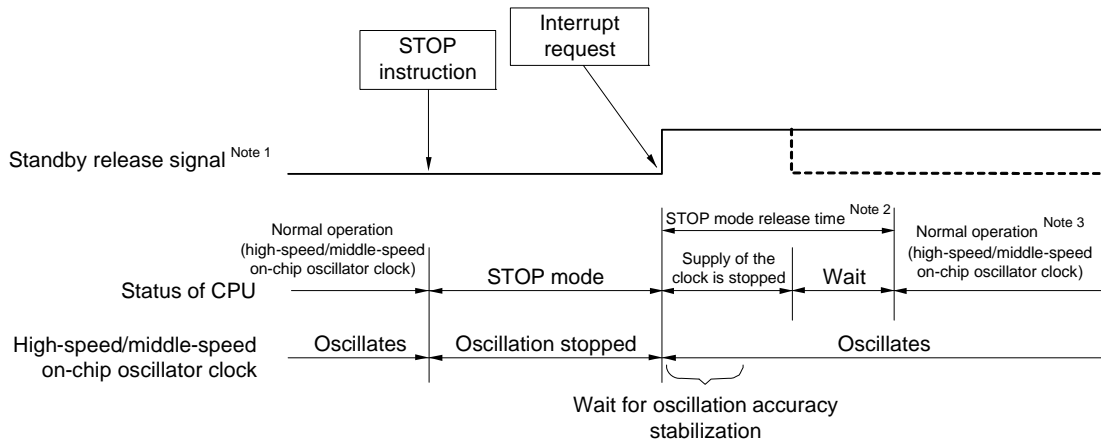
The STOP mode can be released by the following two sources.

(a) Release by unmasked interrupt request

When an unmasked interrupt request is generated, the STOP mode is released. After the oscillation stabilization time has elapsed, if interrupt acknowledgment is enabled, vectored interrupt servicing is carried out. If interrupt acknowledgment is disabled, the next address instruction is executed.

Figure 26 - 3 STOP Mode Release by Interrupt Request Generation (1/2)

(1) When high-speed/middle-speed on-chip oscillator clock is used as CPU clock

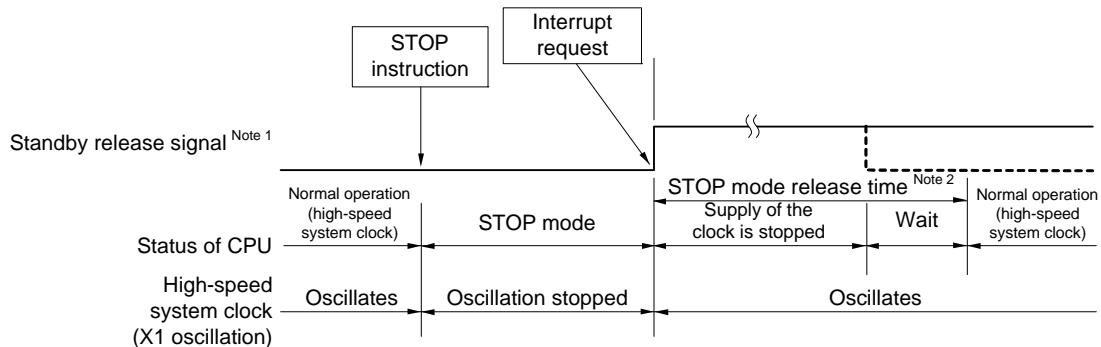


(Notes, Caution, and Remarks are listed on the next page.)

- Note 1.** For details of the standby release signal, see **Figure 24 - 1 Basic Configuration of Interrupt Function.**
- Note 2.** STOP mode release time
- Supply of the clock is stopped:
- When high-speed on-chip oscillator clock: 18 μ s to 65 μ s
 - When middle-speed on-chip oscillator clock: 22 μ s to 31 μ s (in HS mode)
 - Up to 3.4 μ s (during operation at 4 MHz in LS mode)
 - Up to 4.2 μ s (during operation at 2 MHz in LS mode)
 - Up to 5.9 μ s (during operation at 1 MHz in LS mode)
 - Up to 5.9 μ s (during operation at 1 MHz in LP mode)
- Wait:
- (common to the high-speed/middle-speed on-chip oscillator clock)
 - When vectored interrupt servicing is carried out: 7 clocks
 - When vectored interrupt servicing is not carried out: 1 clock
- Note 3.** Before switching the operating clock from the CPU/peripheral hardware clock (f_{CLK}) to the high-speed on-chip oscillator clock after using the middle-speed on-chip oscillator clock for the transition from STOP mode to normal mode, use software to set up waiting for the corresponding period from the list below.
- In HS mode: 24 μ s
 - In LS mode: 10 μ s
 - In LP mode: 7 μ s
- Caution** To shorten oscillation stabilization time after the STOP mode is released when the CPU operates with the high-speed system clock (X1 oscillation), temporarily switch the CPU clock to the high-speed on-chip oscillator clock before the execution of the STOP instruction.
- Remark 1.** The clock supply stop time varies depending on the temperature conditions and STOP mode period.
- Remark 2.** The broken lines indicate the case when the interrupt request that has released the standby mode is acknowledged.

Figure 26 - 4 STOP Mode Release by Interrupt Request Generation (2/2)

(2) When high-speed system clock (X1 oscillation) is used as CPU clock



Note 1. For details of the standby release signal, see **Figure 24 - 1 Basic Configuration of Interrupt Function**.

Note 2. STOP mode release time

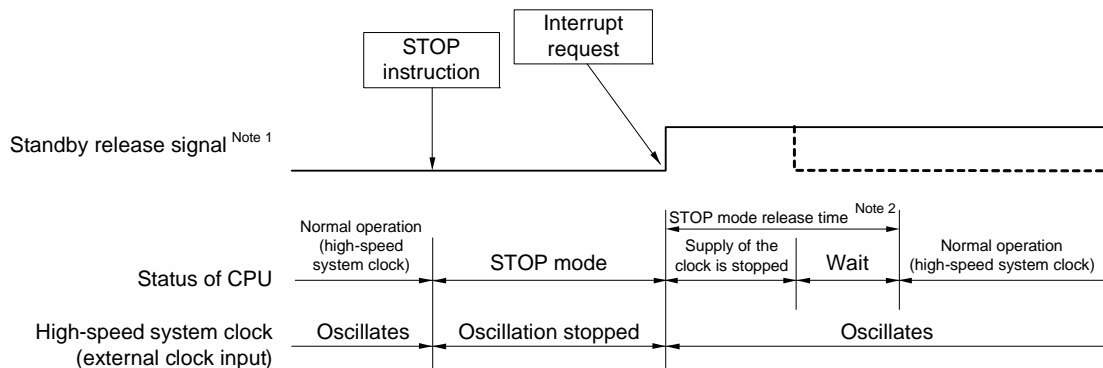
Supply of the clock is stopped:

18 μ s to “whichever is longer 65 μ s or the oscillation stabilization time (set by OSTS)”

Wait:

- When vectored interrupt servicing is carried out: 10 to 11 clocks
- When vectored interrupt servicing is not carried out: 4 to 5 clocks

(3) When high-speed system clock (external clock input) is used as CPU clock



Note 1. For details of the standby release signal, see **Figure 24 - 1 Basic Configuration of Interrupt Function**.

Note 2. STOP mode release time

Supply of the clock is stopped:

18 μ s to 65 μ s

Wait:

- When vectored interrupt servicing is carried out: 7 clocks
- When vectored interrupt servicing is not carried out: 1 clock

Caution To reduce the oscillation stabilization time after release from the STOP mode while CPU operates based on the high-speed system clock (X1 oscillation), switch the clock to the high-speed on-chip oscillator clock temporarily before executing the STOP instruction.

Remark 1. The clock supply stop time varies depending on the temperature conditions and STOP mode period.

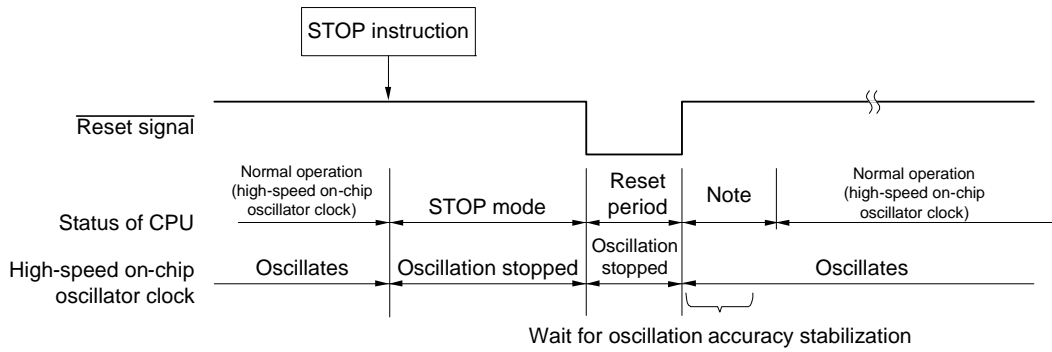
Remark 2. The broken lines indicate the case when the interrupt request that has released the standby mode is acknowledged.

(b) Release by reset signal generation

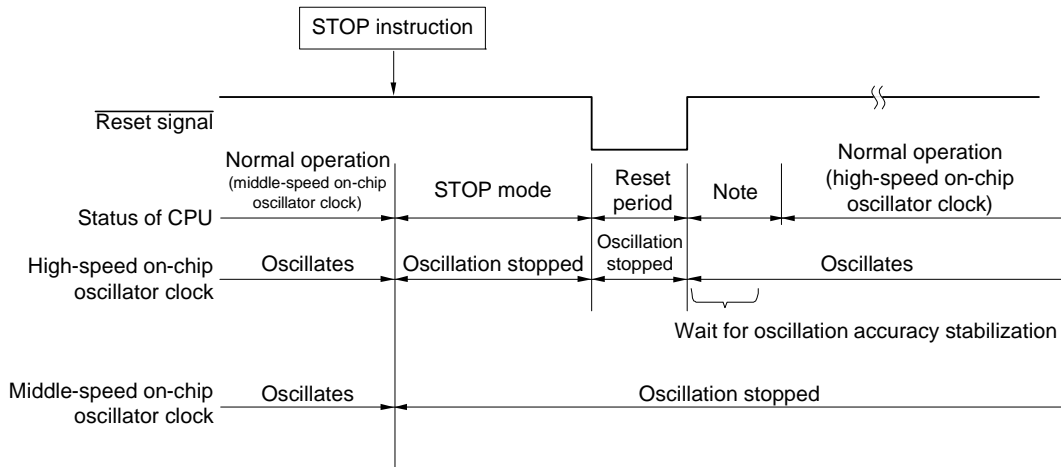
When the reset signal is generated, STOP mode is released, and then, as in the case with a normal reset operation, the program is executed after branching to the reset vector address.

Figure 26 - 4 STOP Mode Release by Reset

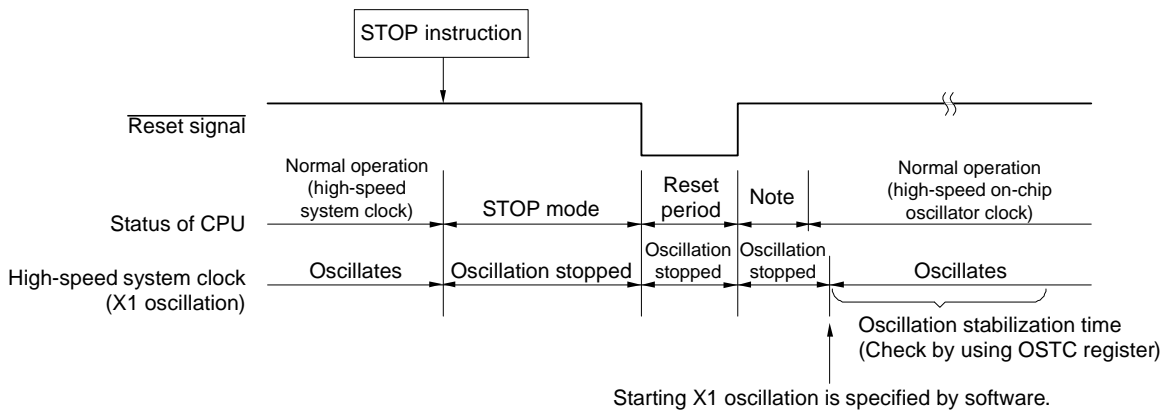
(1) When high-speed on-chip oscillator clock is used as CPU clock



(2) When middle-speed on-chip oscillator clock is used as CPU clock



(3) When high-speed system clock is used as CPU clock



Note For the reset processing time, see **CHAPTER 27 RESET FUNCTION**.
 For the reset processing time of the power-on-reset circuit (POR) and voltage detector (LVD), see **CHAPTER 28 POWER-ON-RESET CIRCUIT**.

26.3.3 SNOOZE mode

(1) SNOOZE mode setting and operating statuses

The SNOOZE mode can only be specified for CSI0, the A/D converter, or DTC. The UART0 can be specified. Note that this mode can only be specified if the CPU clock is the high-speed on-chip oscillator clock or middle-speed on-chip oscillator clock ^{Note}.

When using CSI0 or UART0 in the SNOOZE mode, set up serial standby control register m (SSCm) before switching to the STOP mode. For details, see **18.3 Registers Controlling Serial Array Unit**.

When using the A/D converter in the SNOOZE mode, set up A/D converter mode register 2 (ADM2) before switching to the STOP mode. For details, see **15.3 Registers Controlling A/D Converter**.

When DTC transfer is used in SNOOZE mode, before switching to the STOP mode, allow DTC activation by interrupt to be used. During STOP mode, detecting DTC activation by interrupt enables DTC transit to SNOOZE mode, automatically. For details, see **22.3 Registers Controlling DTC**.

Note When using UART reception to transition from STOP mode to SNOOZE mode, use the high-speed on-chip oscillator.

In SNOOZE mode transition, wait status to be only following time.

Transition time from STOP mode to SNOOZE mode:

When high-speed on-chip oscillator clock: 18 μ s to 65 μ s

When middle-speed on-chip oscillator clock: 22 μ s to 31 μ s (in HS mode)

Up to 3.4 μ s (during operation at 4 MHz in LS mode)

Up to 4.2 μ s (during operation at 2 MHz in LS mode)

Up to 5.9 μ s (during operation at 1 MHz in LS mode)

Up to 5.9 μ s (during operation at 1 MHz in LP mode)

Remark Transition time from STOP mode to SNOOZE mode varies depending on the temperature conditions and the STOP mode period.

Transition time from SNOOZE mode to normal operation:

When high-speed on-chip oscillator clock:

- When vectored interrupt servicing is carried out:

HS (High-speed main) mode: "5.2 μ s to 9.4 μ s" + 7 clocks

LS (Low-speed main) mode: "1.3 μ s to 4.5 μ s" + 7 clocks

LV (Low-voltage main) mode: "17.5 μ s to 25.2 μ s" + 7 clocks

- When vectored interrupt servicing is not carried out:

HS (High-speed main) mode: "5.2 μ s to 9.4 μ s" + 1 clock

LS (Low-speed main) mode: "1.3 μ s to 4.5 μ s" + 1 clock

LV (Low-voltage main) mode: "17.5 μ s to 25.2 μ s" + 1 clock

When middle-speed on-chip oscillator clock:

- When vectored interrupt servicing is carried out:

HS (High-speed main) mode: "6.0 μ s to 10.3 μ s" + 7 clocks

LS (Low-speed main) mode: "1.8 μ s to 4.9 μ s" + 7 clocks

LP (Low-power main) mode: "3.8 μ s to 4.9 μ s" + 7 clocks

- When vectored interrupt servicing is not carried out:

HS (High-speed main) mode: "6.0 μ s to 10.3 μ s" + 1 clock

LS (Low-speed main) mode: "1.8 μ s to 4.9 μ s" + 1 clock

LP (Low-power main) mode: "3.8 μ s to 4.9 μ s" + 1 clock

The operating statuses in the SNOOZE mode are shown next.

Table 26 - 3 Operating Statuses in SNOOZE Mode (1/2)

STOP Mode Setting		During STOP mode, receiving data signal from CSI0 and UART0, inputting timer trigger signal to A/D converter, and generating DTC activation by interrupt	
		When CPU is Operating on High-speed On-chip Oscillator Clock (f_{IH})	When CPU is Operating on Middle-speed On-chip Oscillator Clock (f_{IM})
Item			
System clock		Clock supply to the CPU is stopped	
Main system clock	f_{IH}	Operation started	Stopped
	f_{IM}	Stopped	Operation started
	f_X	Stopped	
	f_{EX}		
	f_{PLL}		
Subsystem clock	f_{XT}	Status before STOP mode was set is retained	
	f_{EXS}	(Operation disabled when RTC power-on-reset occurs)	
Low-speed on-chip oscillator clock	f_{IL}	Set by bits 0 (WDSTBYON) and 4 (WDTON) of option byte (000C0H), and WUTMMCK0 bit of subsystem clock supply option control register (OSMC) WUTMMCK0 = 1 or SELLOSC = 1: Oscillates (Setting of WUTMMCK0 = 1 and SELLOSC = 1 is prohibited while the sub clock (f_{EX}) operates.) WUTMMCK0 = 0, SELLOSC = 0, and WDTON = 0: Stop WUTMMCK0 = 0, SELLOSC = 0, WDTON = 1, and WDSTBYON = 1: Oscillates WUTMMCK0 = 0, SELLOSC = 0, WDTON = 1, and WDSTBYON = 0: Stop	
CPU		Operation stopped	
Code flash memory			
Data flash memory			
RAM		Operation stopped (Operable while in the DTC is executed)	
Port (latch)		Use of the status while in the STOP mode continues (rewriting the port register by the DTC can change the port pin setting)	
Timer array unit		Operation disabled	
Independent power supply real-time clock (RTC)		Operable (Operation stopped when RTC power-on-reset occurs)	
Frequency measurement function		Operation disabled	
High-speed on-chip oscillator clock frequency correction function			
Oscillation stop detection		Operable (only when f_{IL} is oscillating)	
Battery backup function		Operable	
12-bit interval timer		Operable	
8-bit interval timer			
Watchdog timer		See CHAPTER 14 WATCHDOG TIMER .	
Clock output/buzzer output		Operates when the subsystem clock is selected as the clock source for counting.	
10-bit resolution A/D converter		Operable	
24-bit $\Delta\Sigma$ A/D Converter		Operation disabled	
Temperature sensor 2			
Serial array unit (SAU)		Operable only CSI0 and UART0 only. Operation disabled other than CSI0 and UART0.	
IrDA		Operation disabled	
Serial interface (IICA)			
LCD controller/driver		Operable (However, this depends on the status of the clock selected as the LCD source clock: operation is possible if the selected clock is operating, but operation will stop if the selected clock is stopped.)	
Data transfer controller (DTC)		Operable	
Event link controller (ELC)		Operable function blocks can be linked	
32-bit multiplier and multiply accumulator		Operation disabled	
AES circuit			
Power-on-reset function		Operable	
RTC power-on-reset function			
Voltage detection function	Internal power supply voltage (internal V_{DD})		
	V_{DD} , V_{BAT} , V_{RTC} , EXLVD pin supply voltage		
External interrupt			
Detection of tampering (RTICn)			
Key interrupt function			

(Remark is listed on the next page.)

Table 26 - 3 Operating Statuses in SNOOZE Mode (2/2)

STOP Mode Setting		During STOP mode, receiving data signal from CSI0 and UART0, inputting timer trigger signal to A/D converter, and generating DTC activation by interrupt	
Item		When CPU is Operating on High-speed On-chip Oscillator Clock (f _{HS})	When CPU is Operating on Middle-speed On-chip Oscillator Clock (f _{MS})
CRC operation function	High-speed CRC	Operation stopped	
	General-purpose CRC		
Illegal-memory access detection function		Operable when executing the DTC	
RAM parity error detection function			
RAM guard function			
SFR guard function			

Remark Operation stopped: Operation is automatically stopped before switching to the STOP mode.

Operation disabled: Operation is stopped before switching to the STOP mode.

f_{HS}: High-speed on-chip oscillator clock

f_{LS}: Low-speed on-chip oscillator clock

f_{MS}: Middle-speed on-chip oscillator clock

f_X: X1 clock

f_{EX}: External main system clock

f_{XT}: XT1 clock

f_{EXS}: External subsystem clock

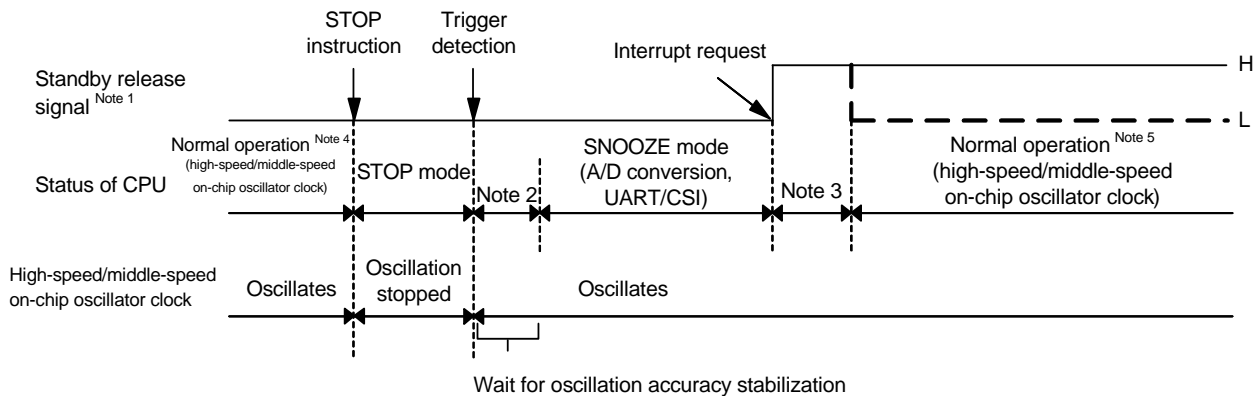
f_{XS}: Sub clock

f_{PLL}: PLL clock frequency

<R>

(2) Timing diagram when the interrupt request signal is generated in the SNOOZE mode

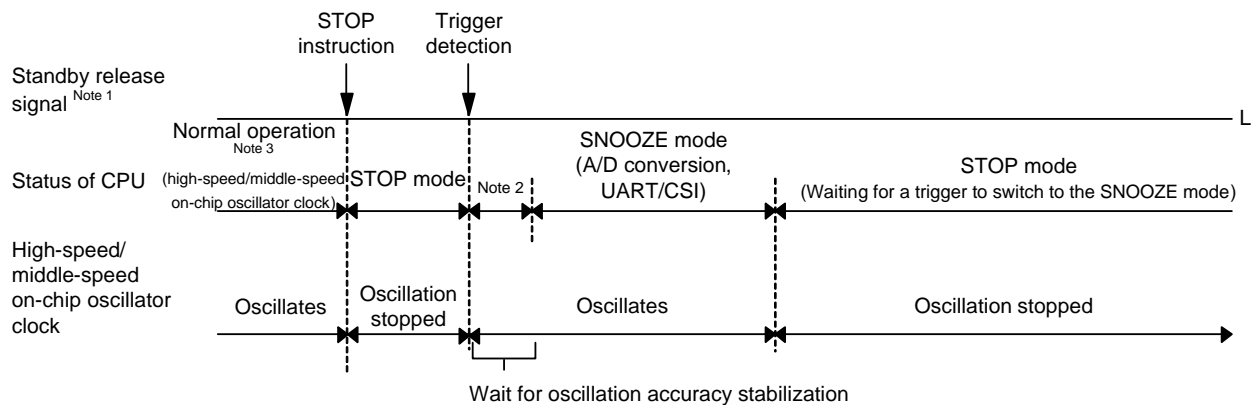
Figure 26 - 5 When the Interrupt Request Signal is Generated in the SNOOZE Mode



- Note 1.** For details of the standby release signal, see **Figure 24 - 1 Basic Configuration of Interrupt Function**.
- Note 2.** Transition time from STOP mode to SNOOZE mode
- Note 3.** Transition time from SNOOZE mode to normal operation
- Note 4.** Enable the SNOOZE mode (AWC = 1 or SWC = 1) immediately before switching to the STOP mode.
- Note 5.** Be sure to release the SNOOZE mode (AWC = 0 or SWC = 0) immediately after return to the normal operation.

(3) Timing diagram when the interrupt request signal is not generated in the SNOOZE mode

Figure 26 - 6 When the Interrupt Request Signal is not Generated in the SNOOZE Mode



- Note 1.** For details of the standby release signal, see **Figure 24 - 1 Basic Configuration of Interrupt Function**.
- Note 2.** Transition time from STOP mode to SNOOZE mode
- Note 3.** Enable the SNOOZE mode (AWC = 1 or SWC = 1) immediately before switching to the STOP mode.

Remark For details of the SNOOZE mode function, see **CHAPTER 15 A/D CONVERTER** and **CHAPTER 18 SERIAL ARRAY UNIT**.

CHAPTER 27 RESET FUNCTION

The following eight operations are available to generate a reset signal.

- <R>
- (1) External reset input via $\overline{\text{RESET}}$ pin
 - (2) Internal reset by watchdog timer program loop detection
 - (3) Internal reset by comparison of supply voltage and detection voltage of power-on-reset (POR) circuit^{Note 1}
 - (4) Internal reset by comparison of supply voltage of the voltage detector (LVD) and detection voltage
 - (5) Internal reset by execution of illegal instruction^{Note 2}
 - (6) Internal reset by RAM parity error
 - (7) Internal reset by illegal-memory access
 - (8) Reset of the RTC and XT1 oscillator by comparison of supply voltage of the RTC power-on reset (RTCPOR) circuit and detection voltage

External and internal resets start program execution from the address at 0000H and 0001H when the reset signal is generated.

A reset is effected when a low level is input to the $\overline{\text{RESET}}$ pin, the watchdog timer overflows, or by POR and LVD circuit voltage detection, execution of illegal instruction^{Note 2}, RAM parity error or illegal-memory access, and each item of hardware is set to the status shown in Table 27-1.

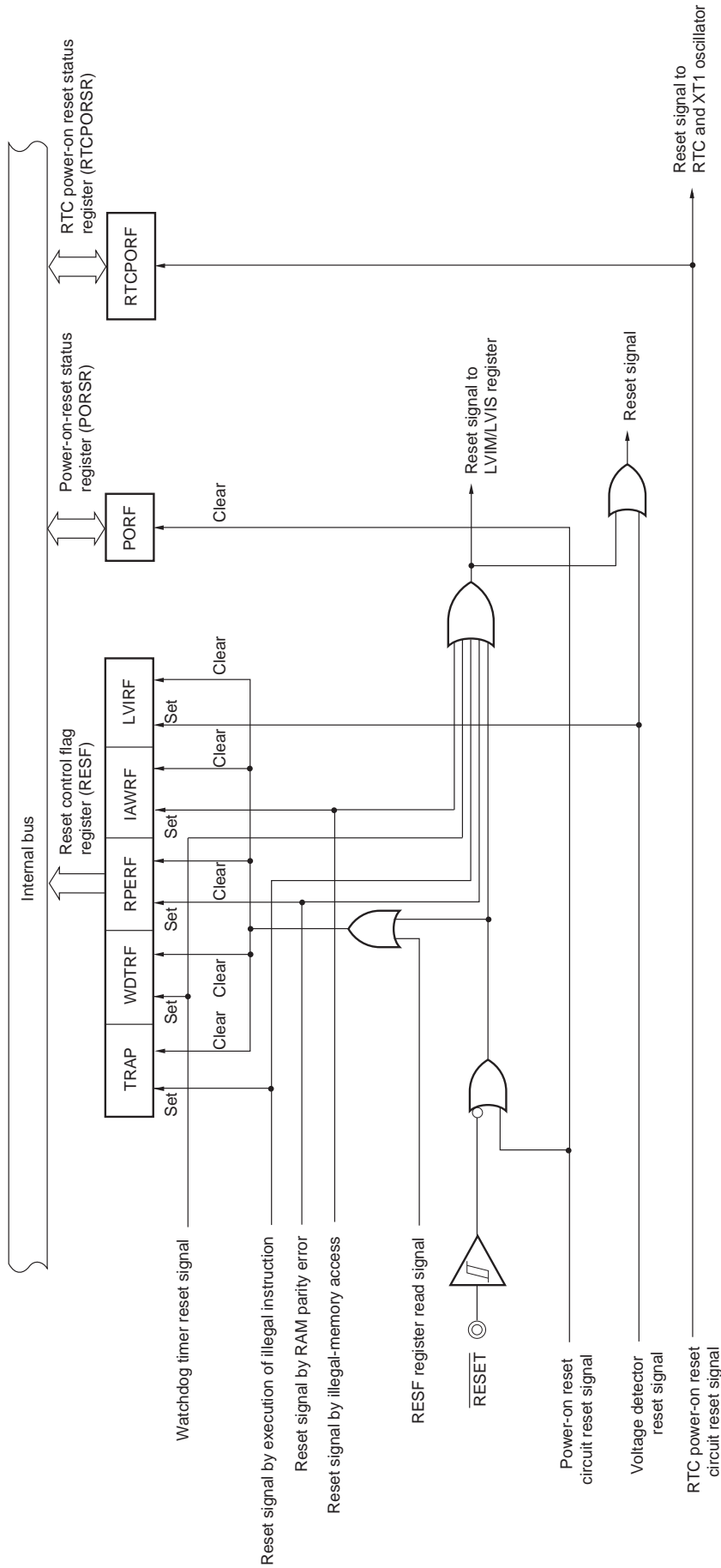
The RTC and XT1 oscillator are reset by the RTC power-on reset (RTCPOR).

- <R>
- Notes**
1. If RTC power-on-reset does not occur, independent power supply RTC and XT1 oscillator circuit can be operated even during the reset period of (3) power-on-reset.
 2. This reset occurs when instruction code FFH is executed.
This reset does not occur during emulation using an in-circuit emulator or an on-chip debugging emulator.

- Cautions**
1. For an external reset, input a low level for 10 μs or more to the $\overline{\text{RESET}}$ pin.
To perform an external reset upon power application, input a low level to the $\overline{\text{RESET}}$ pin, turn power on, continue to input a low level to the pin for 10 μs or more within the operating voltage range shown in 41.4 AC Characteristics, and then input a high level to the pin.
 2. During reset input, the X1 clock, high-speed on-chip oscillator clock, middle-speed on-chip oscillator clock, and low-speed on-chip oscillator clock stop oscillating.
 3. The port pins become the following state because each SFR and 2nd SFR are initialized after reset.
 - P40: High-impedance during the external reset period or reset period by the POR. High level during other types of reset or after receiving a reset signal (connected to the internal pull-up resistor).
 - P150 to P152: High level during the reset period or after receiving a reset signal (connected to the internal pull-up resistor).
 - Ports other than P40 and P150 to P152: High-impedance during the reset period or after receiving a reset signal.

Remark V_{POR} : POR power supply rise detection voltage
 V_{LVD} : LVD detection voltage

Figure 27-1. Block Diagram of Reset Function



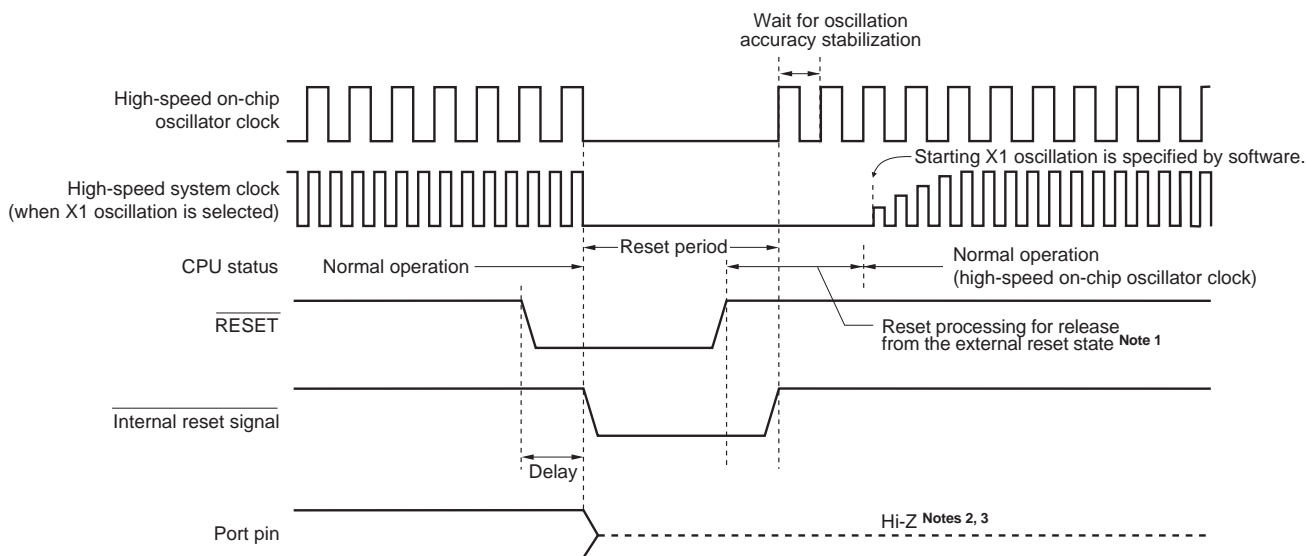
Caution An LVD circuit internal reset does not reset the LVD circuit.

- Remarks**
1. LVIM: Voltage detection register
 2. LVIS: Voltage detection level register

27.1 Timing of Reset Operation

This LSI is reset by input of the low level on the $\overline{\text{RESET}}$ pin and released from the reset state by input of the high level on the $\overline{\text{RESET}}$ pin. After reset processing, execution of the program with the high-speed on-chip oscillator clock as the operating clock starts.

Figure 27-2. Timing of Reset by $\overline{\text{RESET}}$ Input

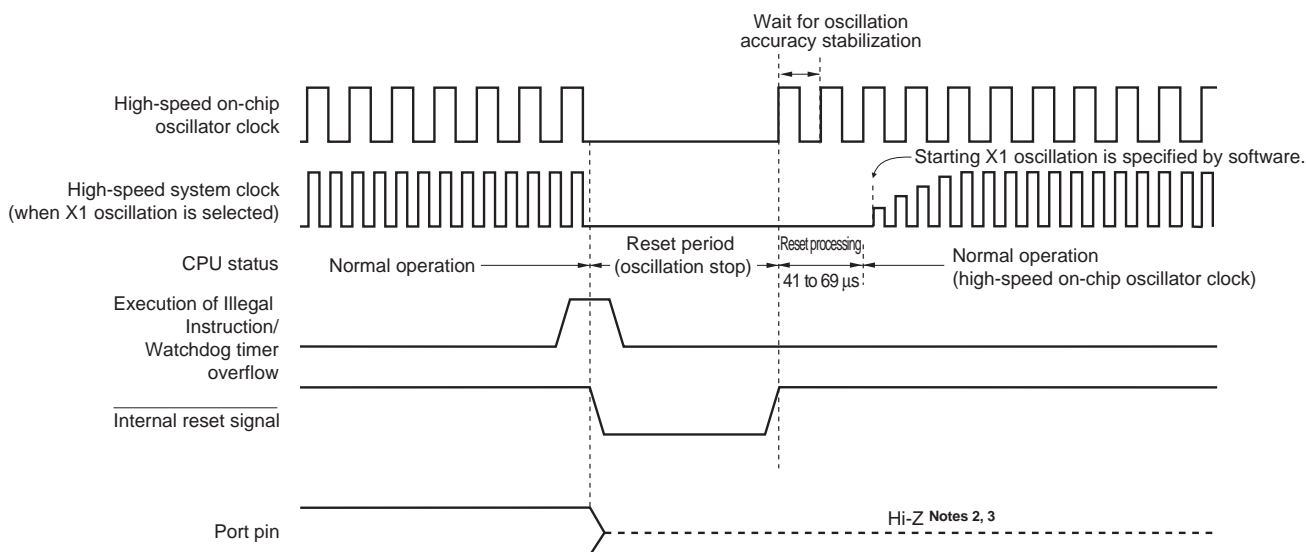


The input buffer of the $\overline{\text{RESET}}$ pin is connected to internal V_{DD} . When using the battery backup function, input signal based on the voltage of the selected power supply source (V_{DD} pin or V_{BAT} pin).

Release from the reset state is automatic in the case of a reset due to a watchdog timer overflow, execution of an illegal instruction, detection of a RAM parity error, or detection of illegal memory access. After reset processing, program execution starts with the high-speed on-chip oscillator clock as the operating clock.

(Notes and Caution are listed on the next page.)

Figure 27-3. Timing of Reset Due to Watchdog Timer Overflow, Execution of Illegal Instruction, Detection of RAM Parity Error, or Detection of Illegal Memory



- Notes**
1. Reset times (times for release from the external reset state)
 - After the first release of the POR: 0.672 ms (typ.), 0.832 ms (max.) when the LVD is in use.
0.399 ms (typ.), 0.519 ms (max.) when the LVD is off.
 - After the second release of the POR: 0.531 ms (typ.), 0.675 ms (max.) when the LVD is in use.
0.259 ms (typ.), 0.362 ms (max.) when the LVD is off.
 - After power is supplied, a voltage stabilization waiting time of about 0.99 ms (typ.) and up to 2.30 ms (max.) is required before reset processing starts after release of the external reset.
 2. P40 becomes the following state.
 - High-impedance during the external reset period or reset period by the POR.
 - High level during other types of reset or after receiving a reset signal (connected to the internal pull-up resistor).
 3. P150 to P152 become the following state.
 - High level during the reset period or after receiving a reset signal (connected to the internal pull-up resistor).

<R>

Reset by POR and LVD circuit supply voltage detection is automatically released when internal $V_{DD} \geq V_{POR}$ or internal $V_{DD} \geq V_{LVD}$ after the reset. After reset processing, execution of the program with the high-speed on-chip oscillator clock as the operating clock starts.

For details, see **CHAPTER 28 POWER-ON-RESET CIRCUIT** or **CHAPTER 29 VOLTAGE DETECTOR**.

Remark V_{POR} : POR power supply rise detection voltage
 V_{LVD} : LVD detection voltage

27.2 States of Operation During Reset Periods

Table 27-1 shows the states of operation during reset periods. Table 27-2 shows the states of the hardware after receiving a reset signal.

Table 27-1. Operation Statuses During Reset Period (1/2)

Item		During Reset Period
System clock		Clock supply to the CPU is stopped.
Main system clock	f _{IH}	Operation stopped
	f _{IM}	Operation stopped.
	f _X	Operation stopped (the X1 and X2 pins are input port mode)
	f _{EX}	Clock input invalid (the pin is input port mode)
	f _{PLL}	Operation stopped.
Subsystem clock	f _{XT}	Operation possible when RTC power-on-reset does not occur
	f _{EXS}	Operation possible when RTC power-on-reset does not occur
f _{IL}		Operation stopped
CPU		
Code flash memory		
Data flash memory		
RAM		
Port (latch)	P40	Except pin reset and power-on reset: Pull-up function enable Pin reset and power-on reset: High impedance
	P150 to P152	Pull-up function enable
	Other than P40, P150 to P152	High impedance (Through-type current does not flow.)
Timer array unit		Operation stopped
Independent power supply real-time clock (RTC)	Time capture function	Operation stopped when power-on reset occurs
	Other than time capture function	Operation possible when RTC power-on-reset does not occur
Frequency measurement circuit		Operation stopped
High-speed on-chip oscillator clock frequency correction function		
Oscillation stop detection		
Battery backup function		During a reset other than the power-on reset: Operation possible During a power-on reset: Operation stopped
12-bit interval timer		Operation stopped
8-bit interval timer		
Watchdog timer		
Clock output/buzzer output		
10-bit resolution A/D converter		
24-bit ΔΣ A/D converter		
Temperature sensor 2		
Serial array unit (SAU)		
IrDA		
Serial interface (IICA)		
LCD controller/driver		
Data transfer controller (DTC)		
Event link controller (ELC)		
Power-on-reset function		Detection operation possible
RTC power-on-reset function		

(Note and Remark are listed on the next page.)

Table 27-1. Operation Statuses During Reset Period (2/2)

Item		During Reset Period
Voltage detection function	Internal power supply voltage (internal V _{DD})	Operation is possible in the case of an LVD reset and stopped in the case of other types of reset.
	V _{DD} , V _{BAT} , V _{RTC} , EXLVD pin supply voltage	Operation stopped
External interrupt	INTP0 to INTP7	
	RTCIC0 to RTCIC2	
Key interrupt function		
CRC operation function	High-speed CRC	
	General-purpose CRC	
32-bit multiplier and multiply accumulator		
RAM parity error detection function		
RAM guard function		
SFR guard function		
Illegal-memory access detection function		
AES circuit		
Detection of tampering		

Note P40 and P150 to P152 become the following state.

- P40: High-impedance during the external reset period or reset period by the POR. High level during other types of reset (connected to the internal pull-up resistor).
- P150 to P152: High level during the reset period (connected to the internal pull-up resistor)

Remark f_{IH}: High-speed on-chip oscillator clock
 f_{IM}: Middle-speed on-chip oscillator clock
 f_X: X1 oscillation clock
 f_{EX}: External main system clock
 f_{XT}: XT1 oscillation clock
 f_{EXS}: External subsystem clock
 f_{IL}: Low-speed on-chip oscillator clock
 f_{PLL}: PLL clock frequency

<R>

Table 27-2. Hardware Statuses After Reset Acknowledgment

Hardware		After Reset Acknowledgment ^{Note}
Program counter (PC)		The contents of the reset vector table (0000H, 0001H) are set.
Stack pointer (SP)		Undefined
Program status word (PSW)		06H
RAM	Data memory	Undefined
	General-purpose registers	Undefined

Note During reset signal generation or oscillation stabilization time wait, only the PC contents among the hardware statuses become undefined. All other hardware statuses remain unchanged after reset.

Remark For the state of the special function register (SFR) after receiving a reset signal, see **3.2.4 Special function registers (SFRs)** and **3.2.5 Extended special function registers (2nd SFRs: 2nd Special Function Registers)**

27.3 Register for Confirming Reset Source

27.3.1 Reset control flag register (RESF)

Many internal reset generation sources exist in the RL78 microcontroller. The reset control flag register (RESF) is used to store which source has generated the reset request.

The RESF register can be read by an 8-bit memory manipulation instruction.

$\overline{\text{RESET}}$ input, reset by power-on-reset (POR) circuit, and reading the RESF register clear TRAP, WDTRF, RPERF, IAWRF, and LVIRF flags.

Figure 27-4. Format of Reset Control Flag Register (RESF)

Address: FFFA8H After reset: Undefined^{Note 1} R

Symbol	7	6	5	4	3	2	1	0
RESF	TRAP	0	0	WDTRF	0	RPERF	IAWRF	LVIRF

TRAP	Internal reset request by execution of illegal instruction ^{Note 2}
0	No internal reset request has been generated, or the RESF register has been cleared.
1	An internal reset request has been generated.

WDTRF	Internal reset request by watchdog timer (WDT)
0	No internal reset request has been generated, or the RESF register has been cleared.
1	An internal reset request has been generated.

RPERF	Internal reset request by RAM parity
0	No internal reset request has been generated, or the RESF register has been cleared.
1	An internal reset request has been generated.

IAWRF	Internal reset request by illegal-memory access
0	No internal reset request has been generated, or the RESF register has been cleared.
1	An internal reset request has been generated.

LVIRF	Internal reset request by voltage detector (LVD)
0	No internal reset request has been generated, or the RESF register has been cleared.
1	An internal reset request has been generated.

- Notes**
- The value after reset varies depending on the reset source. See **Table 27-3**.
 - This reset occurs when instruction code FFH is executed.
This reset does not occur during emulation using an in-circuit emulator or an on-chip debugging emulator.

- Cautions**
- Do not read data by a 1-bit memory manipulation instruction.
 - When enabling RAM parity error resets (RPERDIS = 0), be sure to initialize the used RAM area at data access or the used RAM area + 10 bytes at execution of instruction from the RAM area. Reset generation enables RAM parity error resets (RPERDIS = 0). For details, see 32.3.3 RAM parity error detection function.

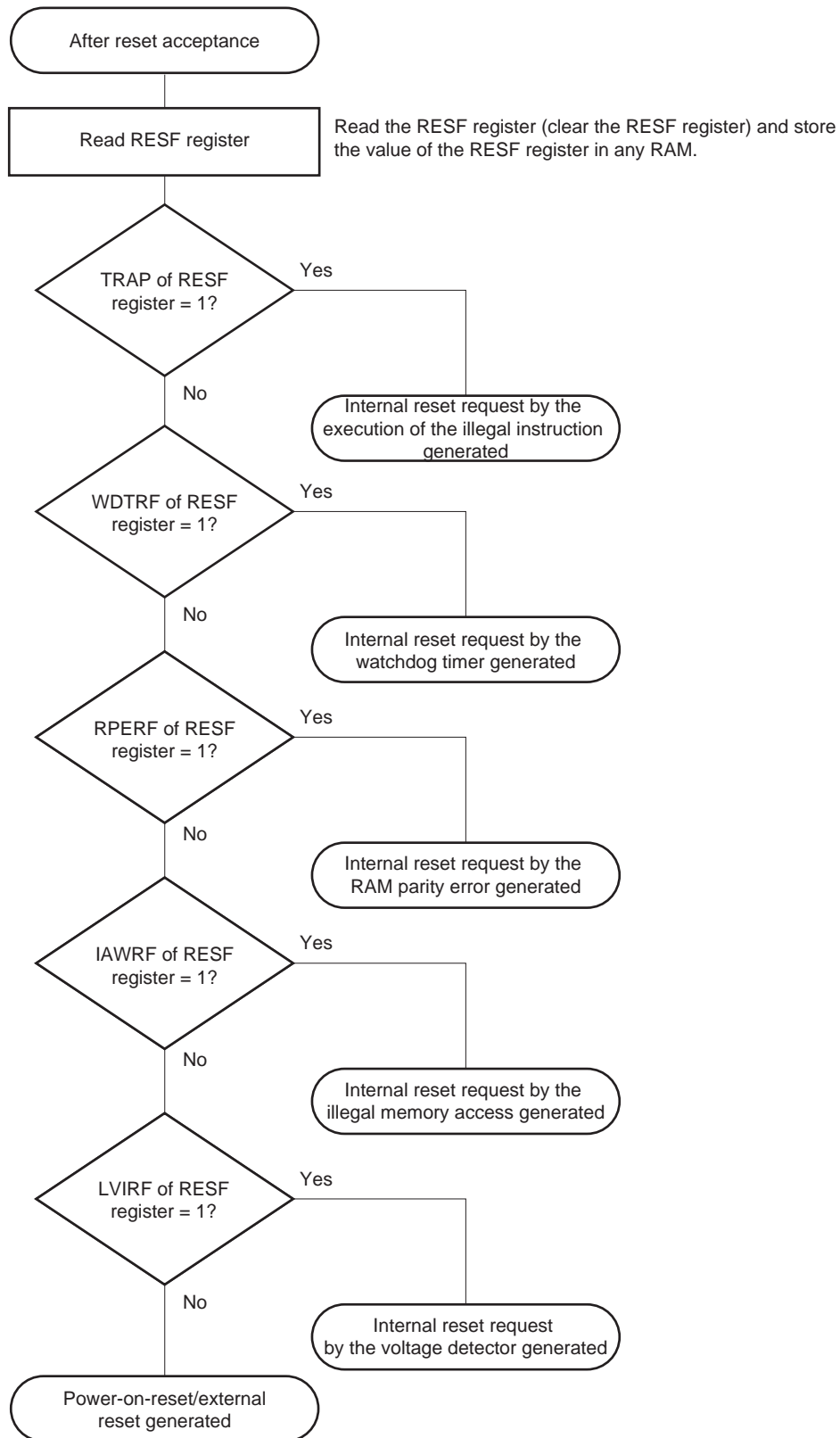
The status of the RESF register when a reset request is generated is shown in Table 27-3.

Table 27-3. RESF Register Status When Reset Request Is Generated

Reset Source Flag	RESET Input	Reset by POR	Reset by Execution of Illegal Instruction	Reset by WDT	Reset by RAM parity error	Reset by illegal- memory access	Reset by LVD
TRAP bit	Cleared (0)	Cleared (0)	Set (1)	Held	Held	Held	Held
WDTRF bit			Held	Set (1)			
RPERF bit				Held	Set (1)		
IAWRF bit				Held	Set (1)		
LVIRF bit				Held	Set (1)		

The RESF register is automatically cleared when it is read by an 8-bit memory manipulation instruction. Figure 27-5 shows the procedure for checking a reset source.

Figure 27-5. Example of Procedure for Checking Reset Source



27.3.2 Power-on-reset status register (PORSR)

The PORSR register is used to check the occurrence of a power-on reset.
 Writing “1” to bit 0 (PORF) of the PORSR register is valid, and writing “0” is ignored.
 Write 1 to the PORF bit in advance to enable checking of the occurrence of a power-on reset.
 The PORSR register can be set by an 8-bit memory manipulation instruction.
 Power-on reset signal generation clears this register to 00H.

- Cautions**
1. The PORSR register is reset only by a power-on reset; it retains the value when a reset caused by another factor occurs.
 2. If the PORF bit is set to 1, it guarantees that no power-on reset has occurred, but it does not guarantee that the RAM value is retained.

Figure 27-6. Format of Power-on-Reset Status Register (PORSR)

Address: F00F9H After reset: 00H R/W

Symbol	7	6	5	4	3	2	1	0
PORSR	0	0	0	0	0	0	0	PORF

PORF	Checking occurrence of power-on reset
0	A value 1 has not been written, or a power-on reset has occurred.
1	No power-on reset has occurred.

27.3.3 RTC power-on-reset status register (RTCPORSR)

<R> The RTCPORSR register is used to check the occurrence of an RTC Power-on reset.
 Writing 1 to bit 0 (RTCPORF) of the RTCPORSR register enables this function. Writing 0 disables this function.
 Write 1 to the RTCPORF bit in advance to enable checking of the occurrence of an RTC power-on reset.
 The RTCPORSR register can be set by an 8-bit memory manipulation instruction.
 Generation of the RTC power-on reset signal clears this register to 00H. This register is not reset by other reset sources (including the power-on reset of the internal V_{DD} power supply).

Caution The RTCPORSR register is reset only by an RTC power-on reset; it retains the value when a reset caused by another source occurs.

Figure 27-7. Format of RTC power-on-reset status register (RTCPORSR)

Address: F0380H After reset: 00H R/W

Symbol	7	6	5	4	3	2	1	0
RTCPORSR	0	0	0	0	0	0	0	RTCPORF

RTCPORF	Checking occurrence of RTC Power-on reset
0	A value 1 has not been written, or an RTC power-on reset has occurred.
1	No RTC power-on reset has occurred.

27.3.4 Peripheral reset control register 0 (PRR0)

The PRR0 register is used to control resetting of the on-chip peripheral modules.

Each bit in this register controls resetting and release of the reset state of the corresponding on-chip peripheral module.

Figure 27-8. Format of Peripheral Reset Control Register 0 (PRR0)

Address: F00F1H After reset: 00H R/W

Symbol	7	<6>	<5>	<4>	<3>	<2>	1	<0>
PRR0	0	IRDARES	ADCRES	IICA0RES	SAU1RES	SAU0RES	0	TAU0RES

PRR0n	Control resetting of the on-chip peripheral modules
0	Releases the on-chip peripheral modules from the reset state.
1	The on-chip peripheral modules are in the reset state.

Remark n = 0, 2 to 6

Target modules for each of the bits are listed below.

Table 27-4. Target Modules for Each Bit in PRR0

Bit	Bit Name	Target Module
6	IRDARES	IrDA
5	ADCRES	A/D converter/temperature sensor 2
4	IICA0RES	Serial interface IICA
3	SAU1RES	Serial array unit (unit 1)
2	SAU0RES	Serial array unit (unit 0)
0	TAU0RES	Timer array unit

27.3.5 Peripheral reset control register 1 (PRR1)

The PRR1 register is used to control resetting of the on-chip peripheral modules.
 Each bit in this register controls resetting and release of the reset state of the corresponding on-chip peripheral module.

Figure 27-9. Format of Peripheral Reset Control Register 1 (PRR1)

Address: F00FBH After reset: 00H R/W

Symbol	7	6	5	4	3	2	1	<0>
PRR1	0	0	0	0	0	0	0	DSADRES

PRR1n	Control resetting of the on-chip peripheral modules
0	Releases the on-chip peripheral modules from the reset state.
1	The on-chip peripheral modules are in the reset state.

Remark n = 0

Target module for bit 0 is listed below.

Table 27-5. Target Module for Bit 0 in PRR1

Bit	Bit Name	Target Module
0	DSADRES	24-bit ΔΣ A/D converter

27.3.6 Peripheral reset control register 2 (PRR2)

The PRR2 register is used to control resetting of the on-chip peripheral modules.
 Each bit in this register controls resetting and release of the reset state of the corresponding on-chip peripheral module.

Figure 27-10. Format of Peripheral Reset Control Register 2 (PRR2)

Address: F00FDH After reset: 00H R/W

Symbol	<7>	<6>	5	4	3	<2>	1	0
PRR2	TMKARES	OSDCRES	0	0	0	MACRES	0	0

PRR2n	Control resetting of the on-chip peripheral modules
0	Releases the on-chip peripheral modules from the reset state.
1	The on-chip peripheral modules are in the reset state.

Remark n = 2, 6, 7

Target modules for each of the bits are listed below.

Table 27-6. Target Modules for Each Bit in PRR2

Bit	Bit Name	Target Module
7	TMKARES	12-bit interval timer
6	OSDCRES	Oscillation stop detection circuit
2	MACRES	32-bit multiplier and accumulator

CHAPTER 28 POWER-ON-RESET CIRCUIT

28.1 Functions of Power-on-reset Circuit

The power-on-reset circuit (POR) has the following functions.

- Generates internal reset signal at power on.
The reset signal is released when the supply voltage (V_{DD})^{Note} exceeds the detection voltage (V_{POR}). However, be sure to maintain the reset state until the power supply voltage reaches the operating voltage range specified in **41.4 AC Characteristics**, by using the voltage detector or external reset pin.
- Compares supply voltage (V_{DD})^{Note} and detection voltage (V_{PDR}), generates internal reset signal when V_{DD} ^{Note} < V_{PDR} . Note that, after power is supplied, this LSI should be placed in the STOP mode, or in the reset state by utilizing the voltage detector or externally input reset signal, before the operation voltage falls below the range defined in **41.4 AC Characteristics**. When restarting the operation, make sure that the operation voltage has returned within the range of operation.

Note Internal power supply voltage (internal V_{DD}) when using the battery backup function.

Caution If an internal reset signal is generated in the power-on-reset circuit, the reset control flag register (RESF) and power-on-reset status register (PORSR) are cleared to 00H.

Remarks 1. The RL78 microcontroller incorporates multiple hardware functions that generate an internal reset signal. A flag that indicates the reset source is located in the reset control flag register (RESF) for when an internal reset signal is generated by the watchdog timer (WDT), voltage-detector (LVD), illegal instruction execution, RAM parity error, or illegal-memory access. The RESF register is not cleared to 00H and the flag is set to 1 when an internal reset signal is generated by the watchdog timer (WDT), voltage-detector (LVD), illegal instruction execution, RAM parity error, or illegal-memory access.

For details of the RESF register, see **CHAPTER 27 RESET FUNCTION**.

2. Whether an internal reset has been generated by the power-on reset circuit can be checked by using the power-on-reset status register (PORSR). For details of the PORSR register, see **CHAPTER 27 RESET FUNCTION**.

3. V_{POR} : POR power supply rise detection voltage

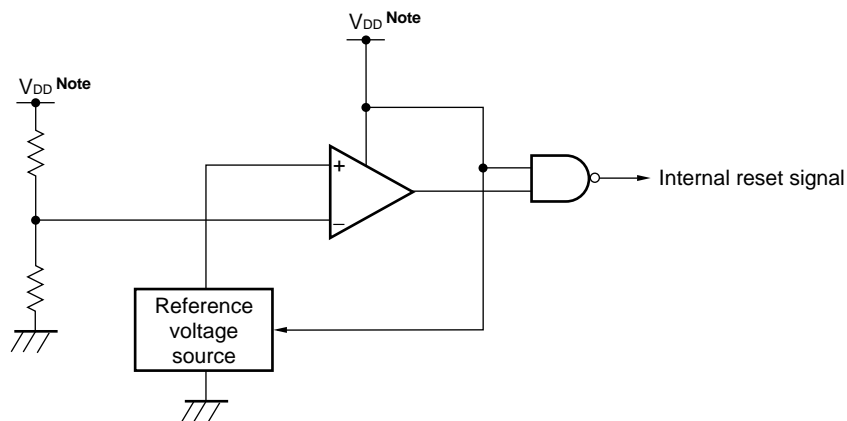
V_{PDR} : POR power supply fall detection voltage

For details, see **41.6.4 POR circuit characteristics**.

28.2 Configuration of Power-on-reset Circuit

The block diagram of the power-on-reset circuit is shown in Figure 28-1.

Figure 28-1. Block Diagram of Power-on-reset Circuit

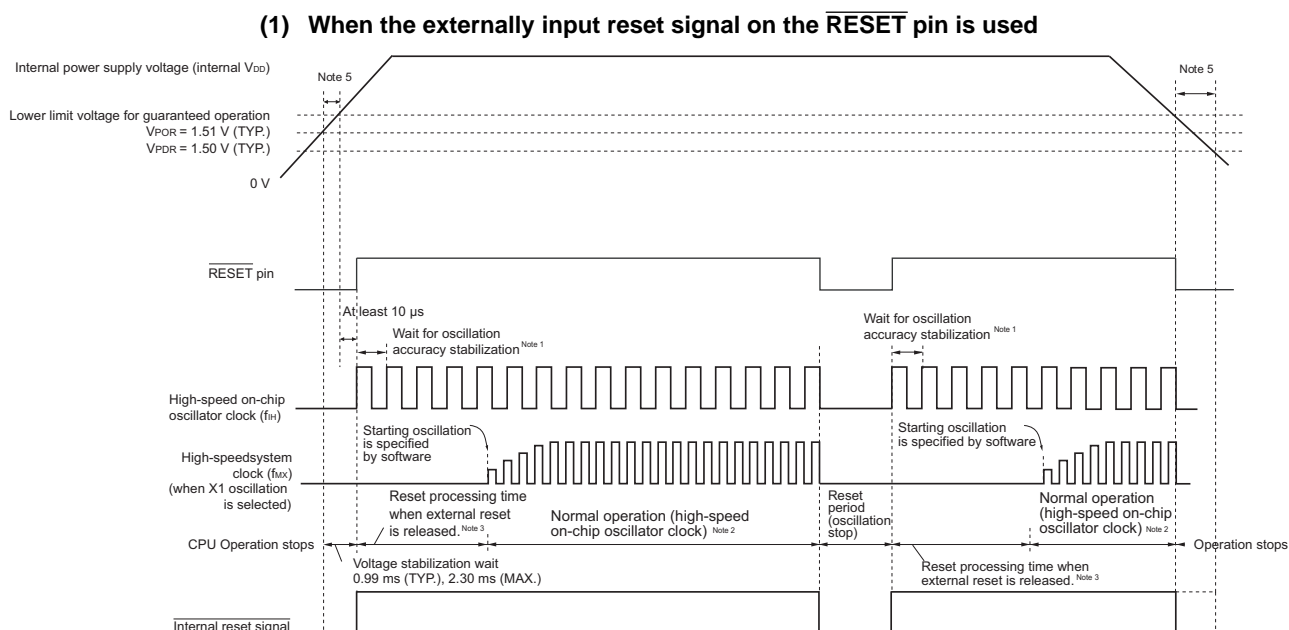


Note Internal power supply voltage (internal V_{DD}) when using the battery backup function.

28.3 Operation of Power-on-reset Circuit

The timing of generation of the internal reset signal by the power-on-reset circuit and voltage detector is shown below.

Figure 28-2. Timing of Generation of Internal Reset Signal by Power-on-reset Circuit and Voltage Detector (1/3)



Notes 1. The internal reset processing time includes the oscillation accuracy stabilization time of the high-speed on-chip oscillator clock.

<R> **2.** The CPU clock can be switched from the high-speed on-chip oscillator clock to the high-speed system clock, or subsystem clock, or the middle-speed on-chip oscillator clock, or the low-speed on-chip oscillator clock. To use the X1 clock, use the oscillation stabilization time counter status register (OSTC) to confirm the lapse of the oscillation stabilization time. To use the XT1 clock, or the middle-speed on-chip oscillator clock, or the low-speed on-chip oscillator clock, please switch from to check the oscillation stabilization time by using for example the timer function.

<R> **3.** The time until normal operation starts includes the following reset processing time when the external reset is released (release from the first external reset following release from the POR state) after the $\overline{\text{RESET}}$ signal is driven high (1) as well as the voltage stabilization wait time after V_{POR} (1.51 V, typ.) is reached. Reset processing time when the external reset is released is shown below.

<R> Release from the first external reset following release from the POR state:
 0.672 ms (typ.), 0.832 ms (max.) (when the LVD is in use)
 0.399 ms (typ.), 0.519 ms (max.) (when the LVD is off)

<R> **4.** Reset times in cases of release from an external reset other than the above are listed below.

<R> Release from the reset state for external resets other than the above case:
 0.531 ms (typ.), 0.675 ms (max.) (when the LVD is in use)
 0.259 ms (typ.), 0.362 ms (max.) (when the LVD is off)

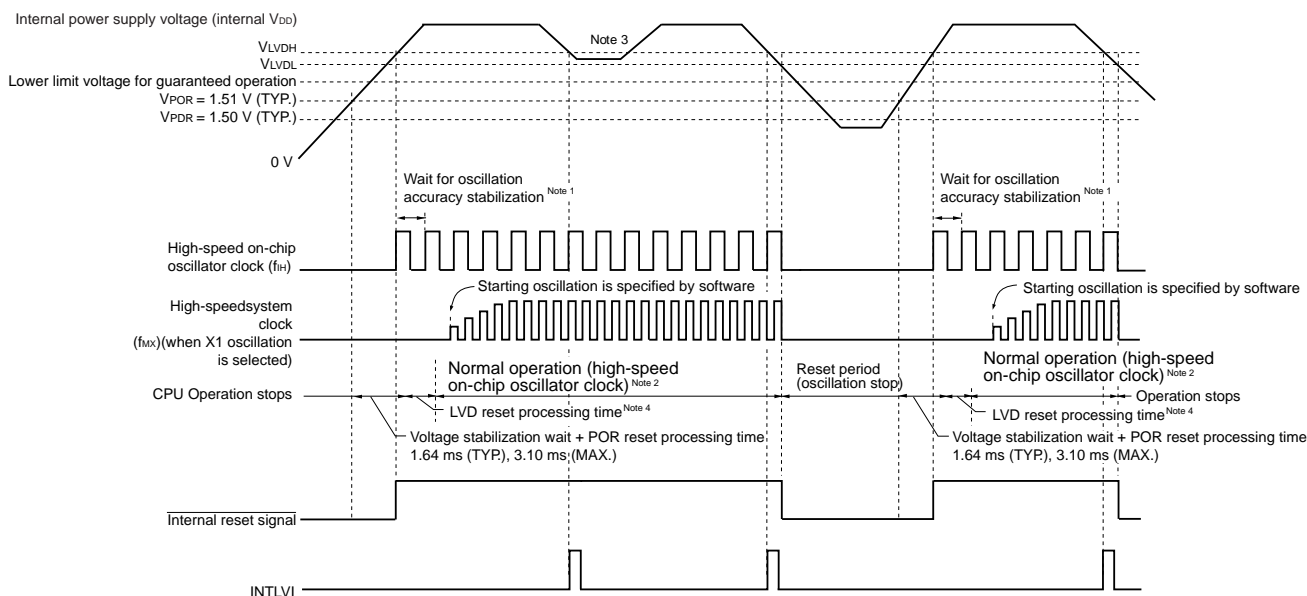
5. After power is supplied, the reset state must be retained until the operating voltage becomes in the range defined in **41.4 AC Characteristics**. This is done by controlling the externally input reset signal. After power supply is turned off, this LSI should be placed in the STOP mode, or in the reset state by utilizing the voltage detector or externally input reset signal, before the voltage falls below the operating range. When restarting the operation, make sure that the operation voltage has returned within the range of operation.

Remark V_{POR} : POR power supply rise detection voltage
 V_{PDR} : POR power supply fall detection voltage

Caution For power-on reset, be sure to use the externally input reset signal on the $\overline{\text{RESET}}$ pin when the LVD is off. For details, see CHAPTER 29 VOLTAGE DETECTOR.

Figure 28-2. Timing of Generation of Internal Reset Signal by Power-on-reset Circuit and Voltage Detector (2/3)

(2) LVD interrupt & reset mode (option byte 000C1H: LVIMDS1, LVIMDS0 = 1, 0)

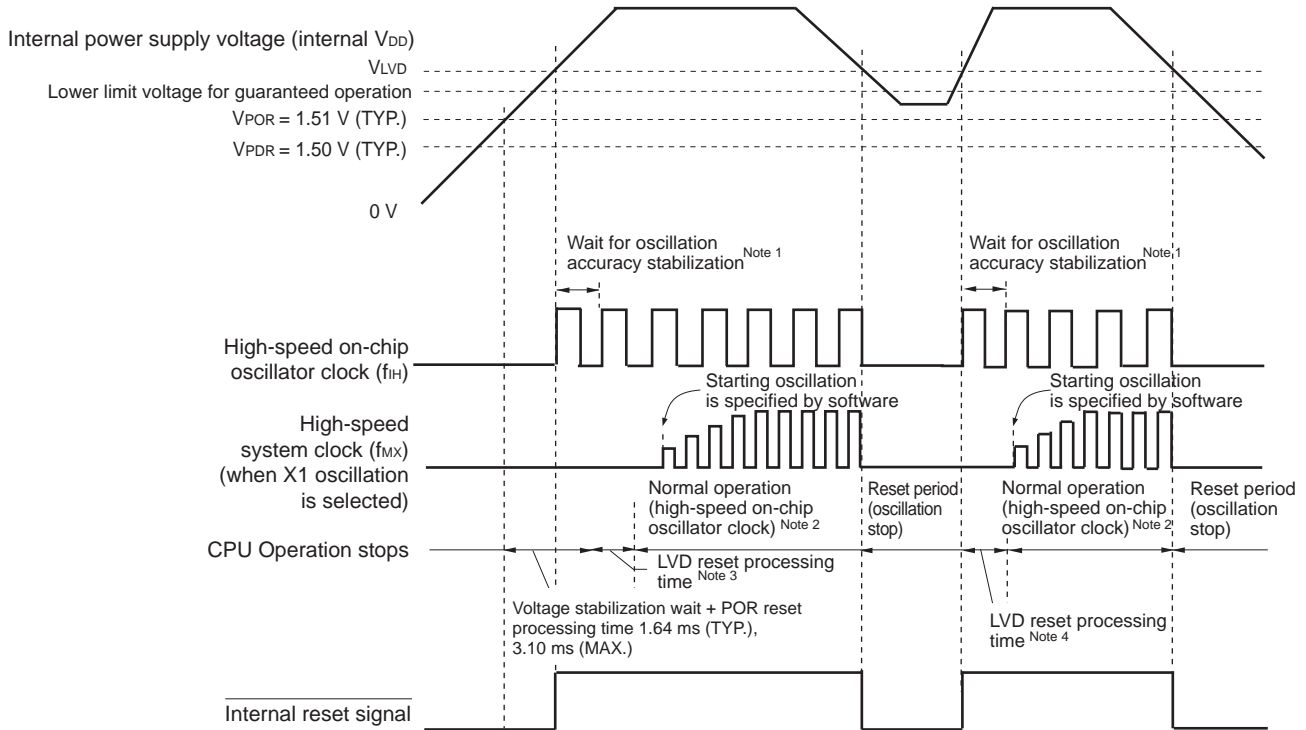


- Notes**
1. The internal reset processing time includes the oscillation accuracy stabilization time of the high-speed on-chip oscillator clock.
 2. The CPU clock can be switched from the high-speed on-chip oscillator clock to the high-speed system clock, or subsystem clock, or the middle-speed on-chip oscillator clock, or the low-speed on-chip oscillator clock. To use the X1 clock, use the oscillation stabilization time counter status register (OSTC) to confirm the lapse of the oscillation stabilization time. To use the XT1 clock, or the middle-speed on-chip oscillator clock, or the low-speed on-chip oscillator clock, please switch from to check the oscillation stabilization time by using for example the timer function.
 3. After the interrupt request signal (INTLVI) is generated, the LVILV and LVIMD bits of the voltage detection level register (LVIS) are automatically set to 1. After INTLVI is generated, appropriate settings should be made according to **Figure 29-20 Setting Procedure for Operating Voltage Check and Reset**, taking into consideration that the supply voltage might return to the high voltage detection level (V_{LVDH}) or higher without falling below the low voltage detection level (V_{LVDL}).
 4. The time until normal operation starts includes the following LVD reset processing time after the LVD detection level (V_{LVDH}) is reached as well as the voltage stabilization wait + POR reset processing time after the V_{POR} (1.51 V, typ.) is reached.
LVD reset processing time: 0 ms to 0.0701 ms (max.)

Remark V_{LVDH}, V_{LVDL}: LVD detection voltage
 V_{POR}: POR power supply rise detection voltage
 V_{PDR}: POR power supply fall detection voltage

Figure 28-2. Timing of Generation of Internal Reset Signal by Power-on-reset Circuit and Voltage Detector (3/3)

(3) LVD reset mode (option byte 000C1H: LVIMDS1 = 1, LVIMDS0 = 1)



Notes 1. The internal reset processing time includes the oscillation accuracy stabilization time of the high-speed on-chip oscillator clock.

<R>

2. The CPU clock can be switched from the high-speed on-chip oscillator clock to the high-speed system clock, or subsystem clock, or the middle-speed on-chip oscillator clock, or the low-speed on-chip oscillator clock. To use the X1 clock, use the oscillation stabilization time counter status register (OSTC) to confirm the lapse of the oscillation stabilization time. To use the XT1 clock, or the middle-speed on-chip oscillator clock, or the low-speed on-chip oscillator clock, please switch from to check the oscillation stabilization time by using for example the timer function.

<R>

3. The time until normal operation starts includes the following LVD reset processing time after the LVD detection level (V_{LVD}) is reached as well as the voltage stabilization wait + POR reset processing time after the V_{POR} (1.51 V, typ.) is reached.

LVD reset processing time: 0 ms to 0.0701 ms (max.)

4. When the power supply voltage is below the lower limit for operation and the power supply voltage is then restored after an internal reset is generated only by the voltage detector (LVD), the following LVD reset processing time is required after the LVD detection level (V_{LVD}) is reached.

LVD reset processing time: 0.0511 ms (typ.), 0.0701 ms (max.)

Remarks 1. V_{LVDH}, V_{LVDL}: LVD detection voltage

V_{POR}: POR power supply rise detection voltage

V_{PDR}: POR power supply fall detection voltage

2. When the LVD interrupt mode is selected (option byte 000C1H: LVIMD1 = 0, LVIMD0 = 1), the time until normal operation starts after power is turned on is the same as the time specified in **Note 3** of Figure 28-2 (3).

CHAPTER 29 VOLTAGE DETECTOR

29.1 Functions of Voltage Detector

The operation mode and detection voltages (V_{LVDH} , V_{LVDL} , V_{LVD}) for the voltage detector is set by using the option byte (000C1H). The detection voltages can be reset using the LVIS register. The voltage detector (LVD) has the following functions.

- The LVD circuit compares the supply voltage (V_{DD}) with the detection voltage (V_{LVDH} , V_{LVDL} , V_{LVD}), and generates an internal reset or internal interrupt signal.
- The detection level for the power supply detection voltage (V_{LVDH} , V_{LVDL}) can be selected as one of 14 levels (For details, see **29.3.2 Voltage detection level register (LVIS)** and **CHAPTER 35 OPTION BYTE**).
- Operable in STOP mode.
- After power is supplied, the reset state must be retained until the operating voltage becomes in the range defined in **41.4 AC Characteristics**. This is done by utilizing the voltage detector or controlling the externally input reset signal. After the power supply is turned off, this LSI should be placed in the STOP mode, or placed in the reset state by utilizing the voltage detector or controlling the externally input reset signal before the voltage falls below the operating range. The range of operating voltage varies with the setting of the user option byte (000C2H or 010C2H).

(a) Interrupt & reset mode (option byte LVIMDS1, LVIMDS0 = 1, 0)

The two detection voltages (V_{LVDH} , V_{LVDL}) are selected by the option byte 000C1H. The high-voltage detection level (V_{LVDH}) is used for releasing resets and generating interrupts. This level is also used for generating resets. The low-voltage detection level (V_{LVDL}) is used for generating resets.

(b) Reset mode (option byte LVIMDS1, LVIMDS0 = 1, 1)

The detection voltage (V_{LVD}) selected by the option byte 000C1H is used for triggering and ending resets. The detection voltages can be reset using the LVIS register.

(c) Interrupt mode (option byte LVIMDS1, LVIMDS0 = 0, 1)

The detection voltage (V_{LVD}) selected by the option byte 000C1H is used for generating interrupts/reset release. The detection voltages can be reset using the LVIS register.

The reset and internal interrupt signals are generated in each mode as follows.

Interrupt & reset mode (LVIMDS1, LVIMDS0 = 1, 0)	Reset mode (LVIMDS1, LVIMDS0 = 1, 1)	Interrupt mode (LVIMDS1, LVIMDS0 = 0, 1)
Generates an interrupt request signal by detecting $V_{DD} < V_{LVDH}$ when the operating voltage falls, and an internal reset by detecting $V_{DD} < V_{LVDL}$. Releases an internal reset by detecting $V_{DD} \geq V_{LVDH}$.	Releases an internal reset by detecting $V_{DD} \geq V_{LVD}$. Generates an internal reset by detecting $V_{DD} < V_{LVD}$.	Immediately after a reset occurs, the internal reset state of LVD remains until $V_{DD} \geq V_{LVD}$. The internal reset of LVD is cleared when $V_{DD} \geq V_{LVD}$ is detected. After the internal reset of LVD is released, an interrupt request signal (INTLVI) is generated when $V_{DD} < V_{LVD}$ or $V_{DD} \geq V_{LVD}$ is detected.

While the voltage detector is operating, whether the supply voltage is more than or less than the detection level can be checked by reading the voltage detection flag (LVIF: bit 0 of the voltage detection register (LVIM)).

Bit 0 (LVIRF) of the reset control flag register (RESF) is set to 1 if reset occurs. For details of the RESF register, see **CHAPTER 27 RESET FUNCTION**.

The RL78/I1C products have voltage detection function for each power supply pin.

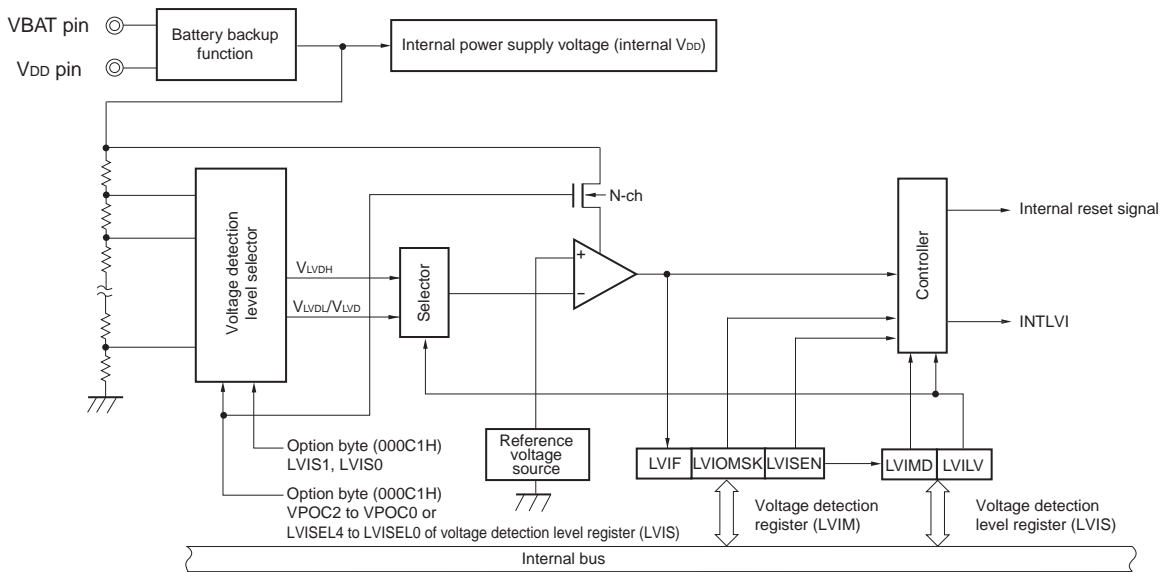
While voltage detection function is operating, whether the supply voltage of each pin is more than the detection level can be checked by interruption or reading the voltage detection flag.

- The LVD circuit compares the VDD pin voltage (VDD) with the detection voltage (VLVDVDD), and generates a one-shot interrupt request signal (INTLVDD) by detecting $V_{DD} > VLVDVDD$ or $V_{DD} < VLVDVDD$.
- The LVD circuit compares the VBAT pin voltage (VBAT) with the detection voltage (VLVDVBAT), and generates a one-shot interrupt request signal (INTLVDBAT) by detecting $V_{BAT} > VLVDVBAT$ or $V_{BAT} < VLVDVBAT$.
- The LVD circuit compares the VRTC pin voltage (VRTC) with the detection voltage (VLVDVRTC), and generates a one-shot interrupt request signal (INTLVDRVTC) by detecting $V_{RTC} > VLVDVRTC$ or $V_{RTC} < VLVDVRTC$.
- The LVD circuit compares the EXLVD pin voltage (EXLVD) with the detection voltage (VLVDLVD), and generates a one-shot interrupt request signal (INTLVDELVD) by detecting $EXLVD > VLVDLVD$ or $EXLVD < VLVDLVD$.

29.2 Configuration of Voltage Detector

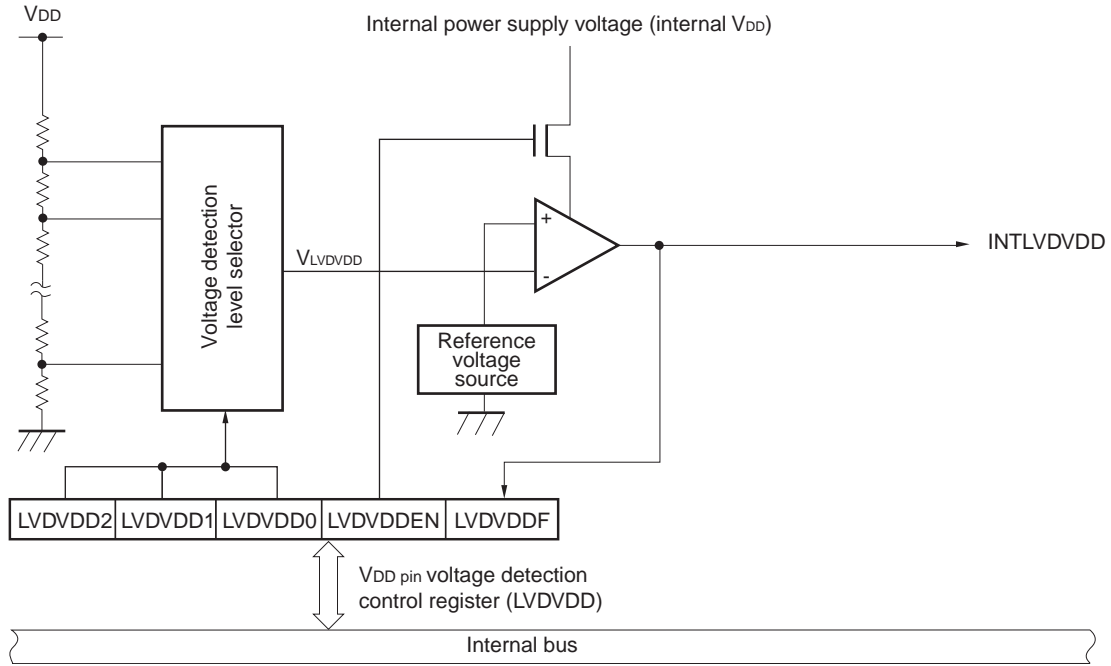
The block diagrams of the voltage detector (LVD) are shown in Figure 29 - 1 to Figure 29 - 5.

Figure 29 - 1 Block Diagram of Voltage Detector (LVD)



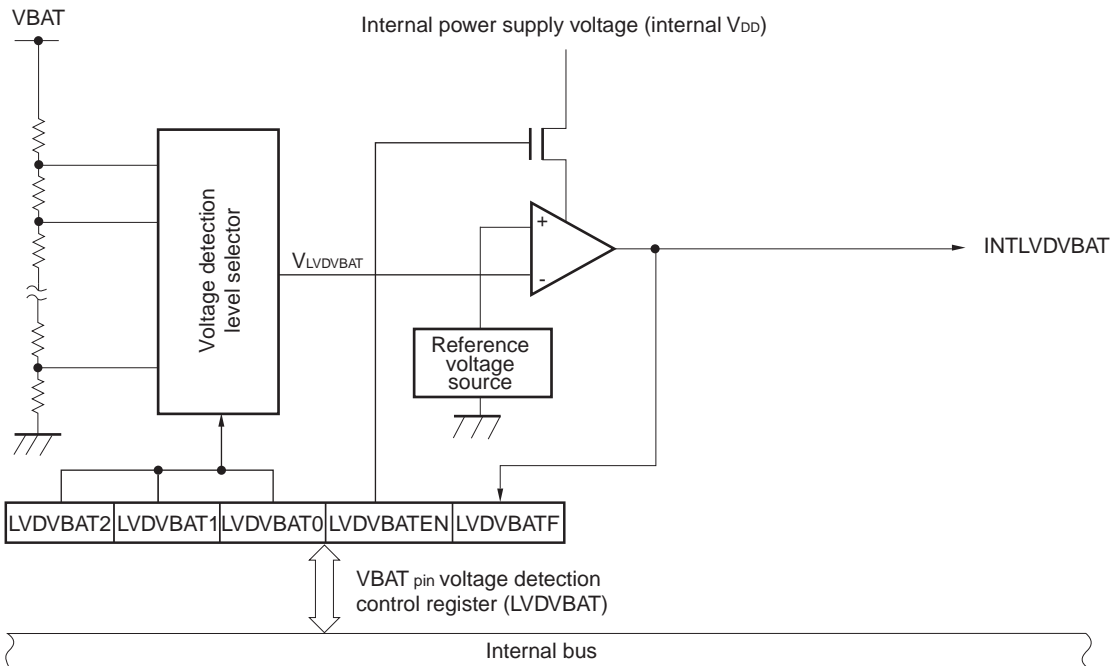
<R>

Figure 29 - 2 Block Diagram of V_{DD} Pin Voltage Detector



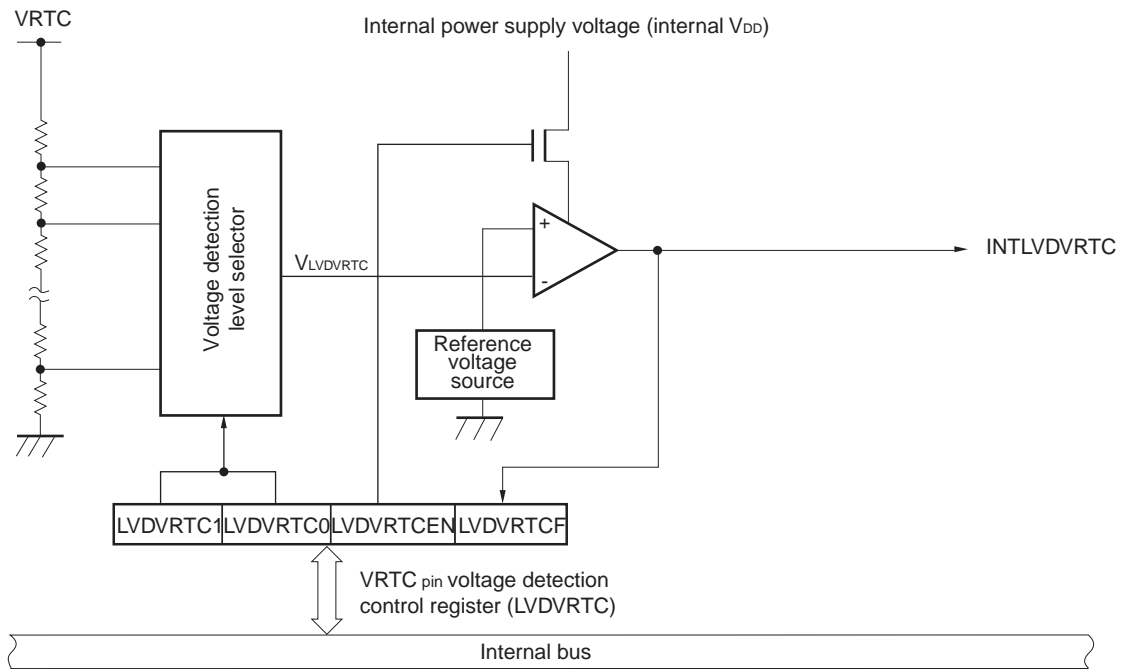
<R>

Figure 29 - 3 Block Diagram of V_{BAT} Pin Voltage Detector



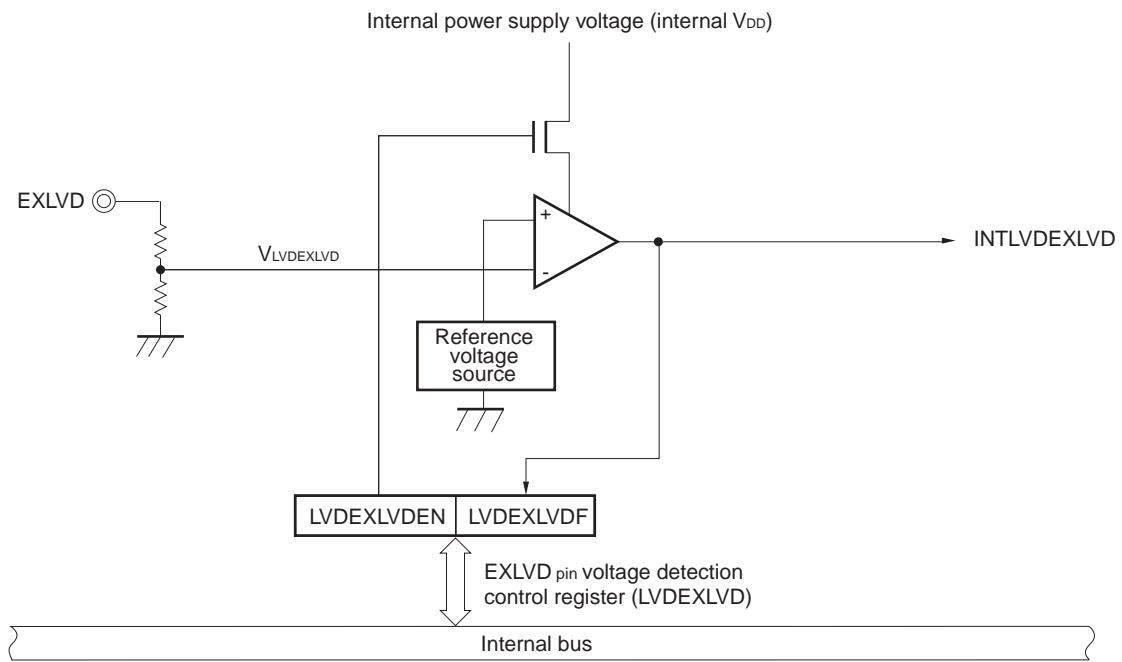
<R>

Figure 29 - 4 Block Diagram of VRTC Pin Voltage Detector



<R>

Figure 29 - 5 Block Diagram of EXLVD Pin Voltage Detector



29.3 Registers Controlling Voltage Detector

The voltage detector is controlled by the following registers.

- Voltage detection register (LVIM)
- Voltage detection level register (LVIS)
- Voltage detection control register for V_{DD} pin (LVDVDD)
- Voltage detection control register for VBAT pin (LVDVBAT)
- Voltage detection control register for VRTC pin (LVDVRTC)
- Voltage detection control register for EXLVD pin (LVDEXLVD)

29.3.1 Voltage detection register (LVIM)

This register is used to specify whether to enable or disable rewriting the voltage detection level register (LVIS), as well as to check the LVD output mask status.

This register can be set by a 1-bit or 8-bit memory manipulation instruction.

Reset signal generation clears this register to 00H.

Figure 29 - 6 Format of Voltage detection register (LVIM)

Address: FFFA9H After reset: 00H Note 1 R/W Note 2

Symbol	<7>	6	5	4	3	2	<1>	<0>
LVIM	LVISEN	0	0	0	0	0	LVIOMSK	LVIF
LVISEN	Specification of whether to enable or disable rewriting the voltage detection level register (LVIS)							
0	Disabling of rewriting the LVIS register (LVIOMSK = 0 (Mask of LVD output is invalid))							
1	Enabling of rewriting the LVIS register (LVIOMSK = 1 (Mask of LVD output is valid))							
LVIOMSK	Mask status flag of LVD output							
0	Mask of LVD output is invalid							
1	Mask of LVD output is valid <small>Note 3</small>							
LVIF	Voltage detection flag							
0	Supply voltage (V _{DD}) ≥ detection voltage (V _{LVD}), or when LVD is off							
1	Supply voltage (V _{DD}) < detection voltage (V _{LVD})							

Note 1. The reset value changes depending on the reset source.

If the LVIS register is reset by LVD, it is not reset but holds the current value. In other reset, LVISEN is cleared to 0.

Note 2. Bits 0 and 1 are read-only.

Note 3. The LVIOMSK bit is automatically set to 1 for the following periods and generation of an LVD reset or interrupt is masked.

- Period when LVISEN = 1

In either of the following cases, generation of an LVD reset or interrupt is masked only in interrupt & reset mode.

- Wait time until the LVD detection voltage stabilizes after an LVD interrupt is generated
- Wait time until the LVD detection voltage stabilizes after the value of the LVILV bit is changed

29.3.2 Voltage detection level register (LVIS)

This register selects the voltage detection level. The minimum supply voltage (LVD detection voltage) and LVD detection level settings that are set by the user option byte can be changed by software.

This register can be set by a 1-bit or 8-bit memory manipulation instruction.

Reset signal generation input sets this register to Note 1.

Caution Do not change the detection voltage in interrupt & reset mode.

Figure 29 - 7 Format of Voltage detection level register (LVIS)

Address: FFFAAH After reset: Note 1 R/W

Symbol <7> 6 5 4 3 2 1 <0>

LVIS	LVIMD Note 2	0	LVISEL4 Note 6	LVISEL3	LVISEL2	LVISEL1	LVISEL0	LVILV Note 2
LVIMD Note 2	Operation mode of voltage detection							
0	Interrupt mode							
1	Reset mode							
LVISEL4 Note 6	LVISEL3	LVISEL2	Minimum operating voltage (typical falling value) Note 5					
0	0	1	1.84 V					
0	1	0	2.45 V					
0	1	1	2.75 V					
1	1	1	1.53 V (LVD OFF)					
Other than above			Setting prohibited					
LVISEL1	LVISEL0	LVD detection level setting Note 5						
0	0	Setting voltage according to LVISEL4/LVISEL3/LVISEL2 + 1.2 V Note 3						
0	1	Setting voltage according to LVISEL4/LVISEL3/LVISEL2 + 0.2 V Note 3						
1	0	Setting voltage according to LVISEL4/LVISEL3/LVISEL2 + 0.1 V Note 3						
1	1	Setting voltage according to LVISEL4/LVISEL3/LVISEL2 Note 4						
LVILV Note 2	LVD detection level							
0	High-voltage detection level (VLVDH)							
1	Low-voltage detection level (VLVDL or VLVD)							

- Note 1.** The reset value changes depending on the setting of the option byte.
After a reset is released, the values of VPOC2 to VPOC0 and LVIS1 and LVIS0 in the user option byte are reflected in LVISEL4 to LVISEL2, LVISEL1, and LVISEL0, respectively.
The reset values of LVIMD and LVILV are set as follows.
When LVIMDS1, LVIMDS0 in the option byte = 1, 0: LVIMD = 0, LVILV = 0
When LVIMDS1, LVIMDS0 in the option byte = 1, 1: LVIMD = 1, LVILV = 1
When LVIMDS1, LVIMDS0 in the option byte = 0, 1: LVIMD = 0, LVILV = 1
- Note 2.** Writing "0" can only be allowed in the interrupt & reset mode (option byte LVIMDS1, LVIMDS0 = 1, 0). Do not set LVIMD and LVILV in other cases. The value is switched automatically when reset or interrupt is generated in the interrupt & reset mode.
- Note 3.** Indicates an approximate detection value. For details on the actual detection voltage, refer to the LVD section in Electrical Specifications.
- Note 4.** Cannot be selected when LVIMDS1 and LVIMDS0 = 1 and 0.
- Note 5.** When changing LVISEL4 to LVISEL0 to use two or more LVD detection voltages, the setting value that indicates the highest voltage value among the LVD detection voltages to be used should be set in the VPOC2 to VPOC0 bits and LVIS1 and LVIS0 bits before using the voltages.
- Note 6.** Rewriting LVISEL4 is prohibited. Keep the initial value unchanged.

Caution 1. When rewriting the LVIMD and LVILV bits, use the procedure shown in Figure 29 - 20.

Caution 2. Specify the LVD operation mode and initial detection voltage (VLVDH, VLVDL, VLVD) of each mode by using the option byte 000C1H. Figure 29 - 8 shows the format of the user option byte (000C1H/010C1H). For details about the option byte, see CHAPTER 35 OPTION BYTE.

Figure 29 - 8 Format of User Option Byte (000C1H/010C1H) (1/2)

Address: 000C1H/010C1H^{Note}

7	6	5	4	3	2	1	0
VPOC2	VPOC1	VPOC0	1	LVIS1	LVIS0	LVIMDS1	LVIMDS0

• LVD setting (interrupt & reset mode)

Detection voltage			Option byte Setting Value						
VLVDH		VLVDL	VPOC2	VPOC1	VPOC0	LVIS1	LVIS0	Mode setting	
Rising edge	Falling edge	Falling edge						LVIMDS1	LVIMDS0
1.77 V	1.73 V	1.63 V	0	0	0	1	0	1	0
1.88 V	1.84 V					0	1		
2.92 V	2.86 V					0	0		
1.98 V	1.94 V	1.84 V	0	1	1	0	1	0	
2.09 V	2.04 V				0	1			
3.13 V	3.06 V				0	0			
2.61 V	2.55 V	2.45 V	1	0	1	0	1	0	
2.71 V	2.65 V				0	1			
2.92 V	2.86 V				1	0			
3.02 V	2.96 V	2.75 V	1	1	1	0	1	0	
—			Settings other than the above are prohibited						

• LVD setting (reset mode)

Detection voltage		Option byte Setting Value						
VLVD		VPOC2	VPOC1	VPOC0	LVIS1	LVIS0	Mode setting	
Rising edge	Falling edge						LVIMDS1	LVIMDS0
1.67 V	1.63 V	0	0	0	1	1	1	1
1.77 V	1.73 V		0	0	1	0		
1.88 V	1.84 V		0	1	1	1		
1.98 V	1.94 V		0	1	1	0		
2.09 V	2.04 V		0	1	0	1		
2.50 V	2.45 V		1	0	1	1		
2.61 V	2.55 V		1	0	1	0		
2.71 V	2.65 V		1	0	0	1		
2.81 V	2.75 V		1	1	1	1		
2.92 V	2.86 V		1	1	1	0		
3.02 V	2.96 V		1	1	0	1		
3.13 V	3.06 V		0	1	0	0		
—			Settings other than the above are prohibited					

Note Set the same value as 000C1H to 010C1H when the boot swap operation is used because 000C1H is replaced by 010C1H.

Remark 1. For details on the LVD circuit, see **CHAPTER 29 VOLTAGE DETECTOR**.

Remark 2. The detection voltage is a TYP. value. For details, see **41.6.5 LVD circuit characteristics**.

(Cautions are listed on the next page.)

Figure 29 - 8 Format of User Option Byte (000C1H/010C1H) (2/2)

Address: 000C1H/010C1H^{Note}

7	6	5	4	3	2	1	0
VPOC2	VPOC1	VPOC0	1	LVIS1	LVIS0	LVIMDS1	LVIMDS0

• LVD setting (interrupt mode)

Detection voltage		Option byte Setting Value						
VLVD		VPOC2	VPOC1	VPOC0	LVIS1	LVIS0	Mode setting	
Rising edge	Falling edge						LVIMDS1	LVIMDS0
1.67 V	1.63 V	0	0	0	1	1	0	1
1.77 V	1.73 V		0	0	1	0		
1.88 V	1.84 V		0	1	1	1		
1.98 V	1.94 V		0	1	1	0		
2.09 V	2.04 V		0	1	0	1		
2.50 V	2.45 V		1	0	1	1		
2.61 V	2.55 V		1	0	1	0		
2.71 V	2.65 V		1	0	0	1		
2.81 V	2.75 V		1	1	1	1		
2.92 V	2.86 V		1	1	1	0		
3.02 V	2.96 V		1	1	0	1		
3.13 V	3.06 V		0	1	0	0		
—			Settings other than the above are prohibited					

• LVD off setting (external reset input from the $\overline{\text{RESET}}$ pin is used)

Detection voltage		Option byte Setting Value						
VLVD		VPOC2	VPOC1	VPOC0	LVIS1	LVIS0	Mode setting	
Rising edge	Falling edge						LVIMDS1	LVIMDS0
—	—	1	x	x	x	x	x	1
—		Settings other than the above are prohibited						

Note Set the same value as 000C1H to 010C1H when the boot swap operation is used because 000C1H is replaced by 010C1H.

Caution 1. Set bit 4 to 1.

Caution 2. After power is supplied, the reset state must be retained until the operating voltage becomes in the range defined in 41.4 AC Characteristics. This is done by utilizing the voltage detector or controlling the externally input reset signal. After the power supply is turned off, this LSI should be placed in the STOP mode, or placed in the reset state by utilizing the voltage detector or controlling the externally input reset signal, before the voltage falls below the operating range. The range of operating voltage varies with the setting of the user option byte (000C2H or 010C2H).

Remark 1. x: Don't care

Remark 2. For details on the LVD circuit, see CHAPTER 29 VOLTAGE DETECTOR.

Remark 3. The detection voltage is a TYP. value. For details, see 41.6.5 LVD circuit characteristics.

29.3.3 V_{DD} pin voltage detection control register (LVDVDD)

This register is used to enable/disable V_{DD} pin voltage detection and select the detection voltage.

This register can be set by a 1-bit or 8-bit memory manipulation instruction.

Reset signal generation input sets this register to 00H.

Figure 29 - 9 Format of Voltage detection control register for V_{DD} pin (LVDVDD)

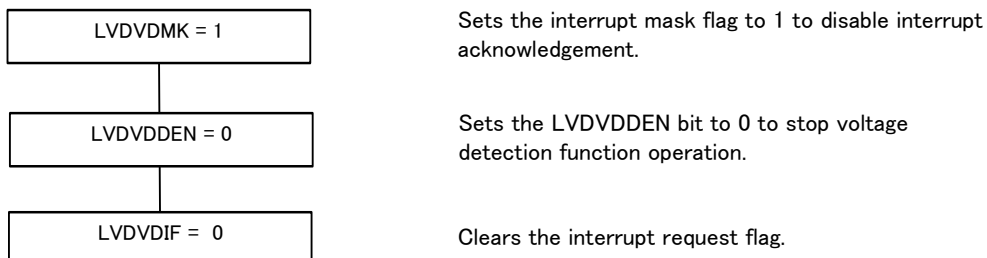
Address: F0332H	After reset: 00H	R/W Note 1						
Symbol	<7>	<6>	5	4	3	2	1	0
LVDVDD	LVDVDDEN	LVDVDDF	0	0	0	LVDVDD2	LVDVDD1	LVDVDD0
LVDVDDEN		V _{DD} pin voltage detection enable/disable						
0		Disables detection Note 3						
1		Enables detection						
LVDVDDF Note 2		V _{DD} pin voltage detection flag						
0		Supply voltage (V _{DD}) ≥ detection voltage (VLVDVDD), or detection is off						
1		Supply voltage (V _{DD}) < detection voltage (VLVDVDD)						
LVDVDD2	LVDVDD1	LVDVDD0	Detection voltage (VLVDVDD)					
			Rising edge			Falling edge		
0	0	0	2.54 V			2.47 V		
0	0	1	2.75 V			2.68 V		
0	1	0	2.95 V			2.88 V		
0	1	1	3.16 V			3.09 V		
1	0	0	3.47 V			3.40 V		
1	0	1	3.78 V			3.71 V		
Other than above			Setting prohibited					

Note 1. Bit 6 is read only.

Note 2. When the LVDVDDEN bit is set to 1 while voltage of V_{DD} pin < detection voltage (VLVDVDD), the LVDVDDF bit is undefined until the stabilization time (300 μs) elapses.

Note 3. To disable INTLVDVDD generation, do the followig steps.

Figure 29 - 10 Setting procedure to disable V_{DD} voltage detection function



29.3.4 VBAT pin voltage detection control register (LVDVBAT)

This register is used to enable/disable VBAT pin voltage detection and select the detection voltage.

This register can be set by a 1-bit or 8-bit memory manipulation instruction.

Reset signal generation input sets this register to 00H.

Figure 29 - 11 Format of Voltage detection control register for VBAT pin (LVDVBAT)

Address: F0333H After reset: 00H R/W Note 1

Symbol <7> <6> 5 4 3 2 1 0

LVDVBAT	LVDVBATEN	LVDVBATF	0	0	0	LVDVBAT2	LVDVBAT1	LVDVBAT0
---------	-----------	----------	---	---	---	----------	----------	----------

LVDVBATEN	VBAT pin voltage detection enable/disable
0	Disables detection Note 3
1	Enables detection

LVDVBATF Note 2	VBAT pin voltage detection flag
0	Supply voltage (VBAT) ≥ detection voltage (VLVDVBAT), or detection is off
1	Supply voltage (VBAT) < detection voltage (VLVDVBAT)

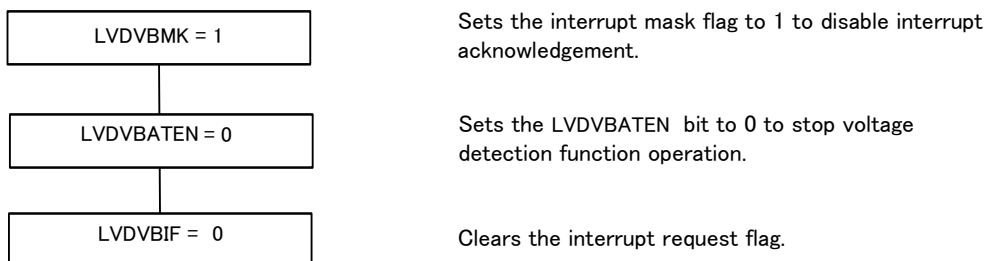
LVDVBAT2	LVDVBAT1	LVDVBAT0	Detection voltage (VLVDVBAT)	
			Rising edge	Falling edge
0	0	0	2.12 V	2.06 V
0	0	1	2.22 V	2.16 V
0	1	0	2.33 V	2.27 V
0	1	1	2.43 V	2.37 V
1	0	0	2.53 V	2.47 V
1	0	1	2.63 V	2.57 V
1	1	0	2.74 V	2.68 V
Other than above			Setting prohibited	

Note 1. Bit 6 is read only.

Note 2. When the LVDVBATEN bit is set to 1 while voltage of VBAT pin < detection voltage (VLVDVBAT), the LVDVBATF bit is undefined until the stabilization time (500 μs) elapses.

Note 3. To disable INTLVDBAT generation, do the following steps.

Figure 29 - 12 Setting procedure to disable VBAT voltage detection function



29.3.5 VRTC pin voltage detection control register (LVDVRTC)

This register is used to enable/disable VRTC pin voltage detection and select the detection voltage.

This register can be set by a 1-bit or 8-bit memory manipulation instruction.

Reset signal generation input sets this register to 00H.

Figure 29 - 13 Format of Voltage detection control register for VRTC pin (LVDVRTC)

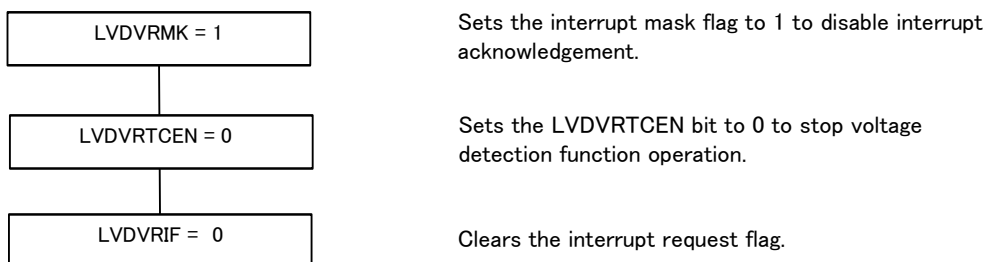
Address: F0334H	After reset: 00H	R/W Note 1						
Symbol	<7>	<6>	5	4	3	2	1	0
LVDVRTC	LVDVRTCEN	LVDVRTCF	0	0	0	0	LVDVRTC1	LVDVRTC0
LVDVRTCEN		VRTC pin voltage detection enable/disable						
0		Disables detection Note 3						
1		Enables detection						
LVDVRTCF Note 2		VRTC pin voltage detection flag						
0		Supply voltage (VRTC) \geq detection voltage (VLVDVRTC), or detection is off						
1		Supply voltage (VRTC) $<$ detection voltage (VLVDVRTC)						
LVDVRTC1	LVDVRTC0	Detection voltage (VLVDVRTC)						
		Rising edge			Falling edge			
0	0	2.22 V			2.16 V			
0	1	2.43 V			2.37 V			
1	0	2.63 V			2.57 V			
1	1	2.84 V			2.78 V			

Note 1. Bit 6 is read only.

Note 2. When the LVDVRTCEN bit is set to 1 while voltage of VRTC pin $<$ detection voltage (VLVDVRTC), the LVDVRTCF bit is undefined until the stabilization time (300 μ s) elapses.

Note 3. To disable INTLVDVRTC generation, do the following steps.

Figure 29 - 14 Setting procedure to disable VRTC voltage detection function



29.3.6 EXLVD pin voltage detection control register (LVDEXLVD)

This register is used to enable/disable EXLVD pin voltage detection and select the detection voltage.

This register can be set by a 1-bit or 8-bit memory manipulation instruction.

Reset signal generation input sets this register to 00H.

Figure 29 - 15 Format of Voltage Detection Control for EXLVD Pin Register (LVDEXLVD)

Address: F0335H After reset: 00H R/W Note 1

Symbol <7> <6> 5 4 3 2 1 0

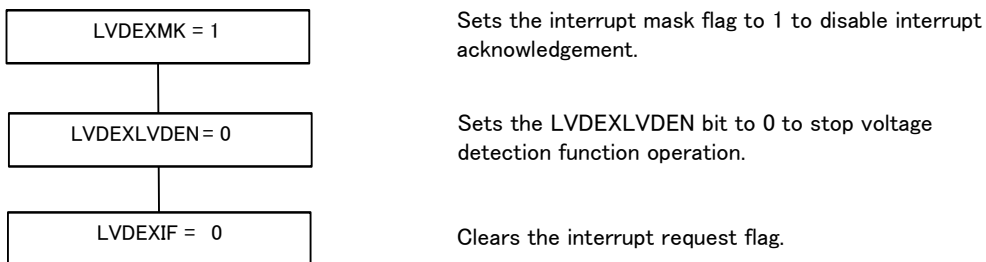
LVDEXLVD	LVDEXLVDEN	LVDEXLVDF	0	0	0	0	0	0
LVDEXLVDEN		EXLVD pin voltage detection enable/disable						
0		Disables detection Note 3						
1		Enables detection						
LVDEXLVDF Note 2		EXLVD pin voltage detection flag						
0		Supply voltage (EXLVD) ≥ detection voltage (VLVDEXLVD), or detection is off						
1		Supply voltage (EXLVD) < detection voltage (VLVDEXLVD)						
Detection voltage (VLVDEXLVD)								
Rising edge				Falling edge				
1.33 V (fixed)				1.28 V (fixed)				

Note 1. Bit 6 is read only.

Note 2. When the LVDEXLVDEN bit is set to 1 while voltage of EXLVD pin < detection voltage (VLVDEXLVD), the LVDEXLVDF bit is undefined until the stabilization time (300 μs) elapses.

Note 3. To disable INTLVDEXLVD generation, do the following steps.

Figure 29 - 16 Setting procedure to disable EXLVD voltage detection function



29.4 Operation of Voltage Detector

29.4.1 When used as reset mode

Specify the operation mode (the reset mode (LVIMDS1, LVIMDS0 = 1, 1)) and the initial detection voltage (VLVD) by using the option byte 000C1H. The detection voltages can be reset using the LVIS register.

The operation is started in the following initial setting state when the reset mode is set.

- Bit 7 (LVISEN) of the voltage detection register (LVIM) is set to 0 (disable rewriting of voltage detection level register (LVIS))
- The initial value of the voltage detection level select register (LVIS) is set to 81H.

See **29.3.2 Voltage detection level register (LVIS)** for details on the initial value of the voltage detection level register (LVIS).

Bit 7 (LVIMD) is 1 (reset mode).

Bit 0 (LVILV) is 1 (low-voltage detection level: VLVD).

- Operation in LVD reset mode

In the reset mode (option byte LVIMDS1, LVIMDS0 = 1, 1), the state of an internal reset by LVD is retained until the supply voltage (VDD) exceeds the voltage detection level (VLVD) after power is supplied. The internal reset is released when the supply voltage (VDD) exceeds the voltage detection level (VLVD).

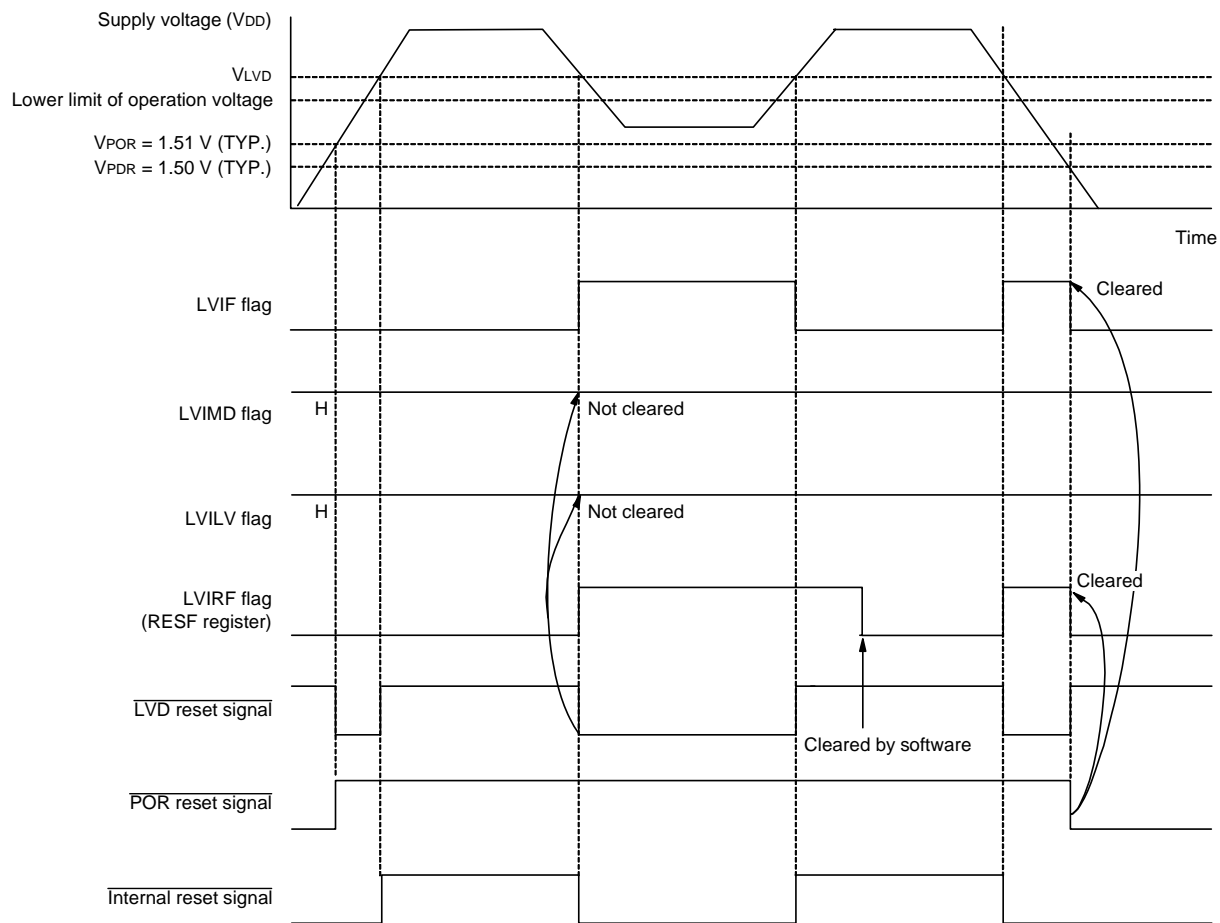
At the fall of the operating voltage, an internal reset by LVD is generated when the supply voltage (VDD) falls below the voltage detection level (VLVD).

The reset release voltage when an LVD reset is generated is the detection voltage set by the option byte or detection voltage set by the LVIS register, whichever is higher. The state of an internal reset by the LVD is retained until the supply voltage exceeds the voltage detection level.

The reset release voltage used for resets other than an LVD reset is the same voltage detection level set by the option byte.

Figure 29 - 17 shows the timing of the internal reset signal generated in the LVD reset mode.

Figure 29 - 17 Timing of Voltage Detector Internal Reset Signal Generation (Option Byte LVIMDS1, LVIMDS0 = 1, 1)



Remark V_{POR}: POR power supply rise detection voltage
 V_{PDR}: POR power supply fall detection voltage

29.4.2 When used as interrupt mode

Specify the operation mode (the interrupt mode (LVIMDS1, LVIMDS0 = 0, 1)) and the initial detection voltage (VLVD) by using the option byte 000C1H. The detection voltages can be reset using the LVIS register.

The operation is started in the following initial setting state when the interrupt mode is set.

- Bit 7 (LVISEN) of the voltage detection register (LVIM) is set to 0 (disable rewriting of voltage detection level register (LVIS))
- See **29.3.2 Voltage detection level register (LVIS)** for details on the initial value of the voltage detection level register (LVIS).
- Bit 7 (LVIMD) is 0 (interrupt mode).
- Bit 0 (LVILV) is 1 (low-voltage detection level: VLVD).

- Operation in LVD interrupt mode

In the interrupt mode (option byte LVIMDS1, LVIMDS0 = 0, 1), the state of an internal reset by LVD is retained until the supply voltage (VDD) exceeds the voltage detection level (VLVD) immediately after a reset occurs. The internal reset is released when the supply voltage (VDD) exceeds the voltage detection level (VLVD).

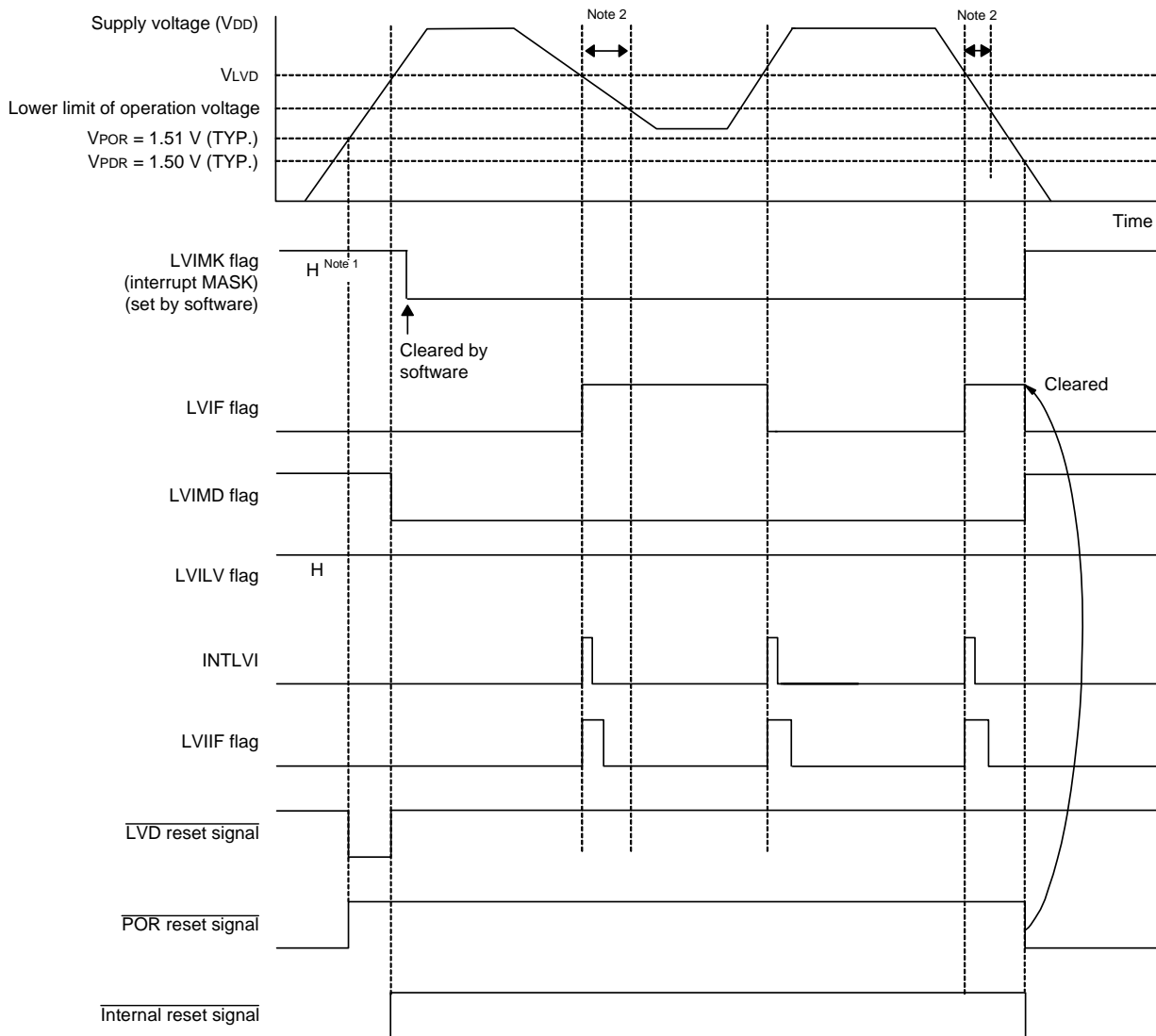
After the internal reset of LVD is released, an interrupt request signal by LVD (INTLVD) is generated when the supply voltage (VDD) exceeds the voltage detection level (VLVD). When the voltage falls, this LSI should be placed in the STOP mode, or placed in the reset state by controlling the externally input reset signal, before the voltage falls below the operating voltage range defined in **41.4 AC Characteristics**. When restarting the operation, make sure that the operation voltage has returned within the range of operation.

After the LVISEN bit is set to 1 (LVD is masked) by changing the detection level, if the supply voltage (VDD) falls below the voltage detection level (VLVD) when LVISEN is set to 0, an interrupt request signal by the LVD (INTLVI) is generated.

Figure 29 - 18 shows the timing of the interrupt request signal generated in the LVD interrupt mode.

<R>

**Figure 29 - 18 Timing of Voltage Detector Internal Interrupt Signal Generation
(Option Byte LVIMDS1, LVIMDS0 = 0, 1)**



Note 1. The LVIMK flag is set to “1” by reset signal generation.

Note 2. When the voltage falls, this LSI should be placed in the STOP mode, or placed in the reset state by controlling the externally input reset signal, before the voltage falls below the operating voltage range defined in **41.4 AC Characteristics**. When restarting the operation, make sure that the operation voltage has returned within the range of operation.

Remark V_{POR}: POR power supply rise detection voltage
V_{PDR}: POR power supply fall detection voltage

29.4.3 When used as interrupt and reset mode

Specify the operation mode (the interrupt & reset (LVIMDS1, LVIMDS0 = 1, 0)) and the detection voltage (VLVDH, VLVDL) by using the option byte 000C1H. Do not manipulate the detection voltage using the LVIS register.

The operation is started in the following initial setting state when the interrupt & reset mode is set.

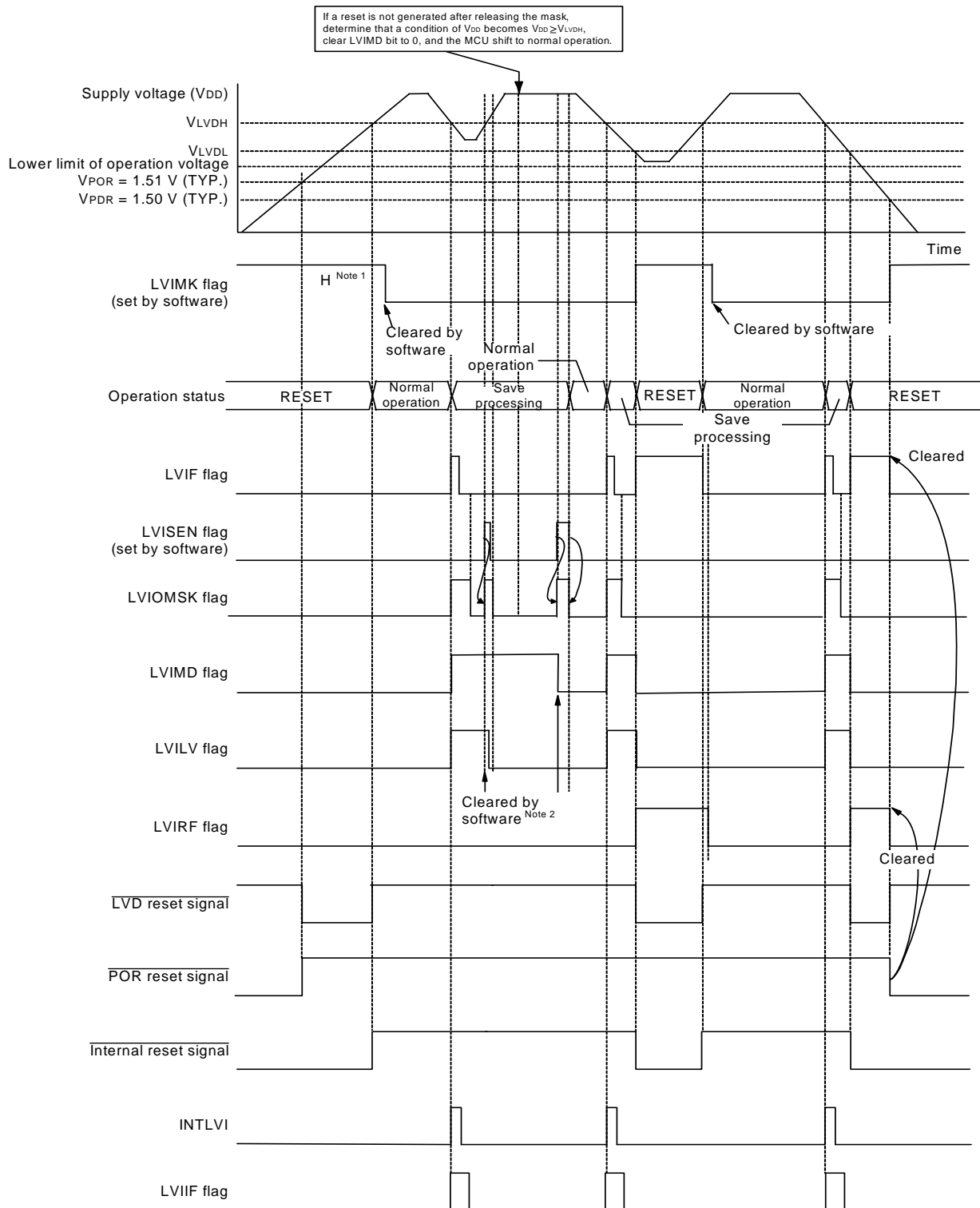
- Bit 7 (LVISEN) of the voltage detection register (LVIM) is set to 0 (disable rewriting of voltage detection level register (LVIS))
- See **29.3.2 Voltage detection level register (LVIS)** for details on the initial value of the voltage detection level register (LVIS).
- Bit 7 (LVIMD) is 0 (interrupt mode).
- Bit 0 (LVILV) is 0 (high-voltage detection level: VLVDH).

- Operation in LVD interrupt & reset mode

In the interrupt & reset mode (option byte LVIMDS1, LVIMDS0 = 1, 0), the state of an internal reset by LVD is retained until the supply voltage (VDD) exceeds the high-voltage detection level (VLVDH) after power is supplied. The internal reset is released when the supply voltage (VDD) exceeds the high-voltage detection level (VLVDH). An interrupt request signal by LVD (INTLVI) is generated and arbitrary save processing is performed when the supply voltage (VDD) falls below the high-voltage detection level (VLVDH). After that, an internal reset by LVD is generated when the supply voltage (VDD) falls below the low-voltage detection level (VLVDL). After INTLVI is generated, an interrupt request signal is not generated even if the supply voltage becomes equal to or higher than the high-voltage detection voltage (VLVDH) without falling below the low-voltage detection voltage (VLVDL). To use the LVD reset & interrupt mode, perform the processing according to **Figure 29 - 20 Setting Procedure for Operating Voltage Check and Reset**.

Figure 29 - 19 shows the timing of the internal reset signal and interrupt signal generated in the LVD interrupt & reset mode.

Figure 29 - 19 Timing of Voltage Detector Reset Signal and Interrupt Signal Generation (Option Byte LVIMDS1, LVIMDS0 = 1, 0) (1/2)



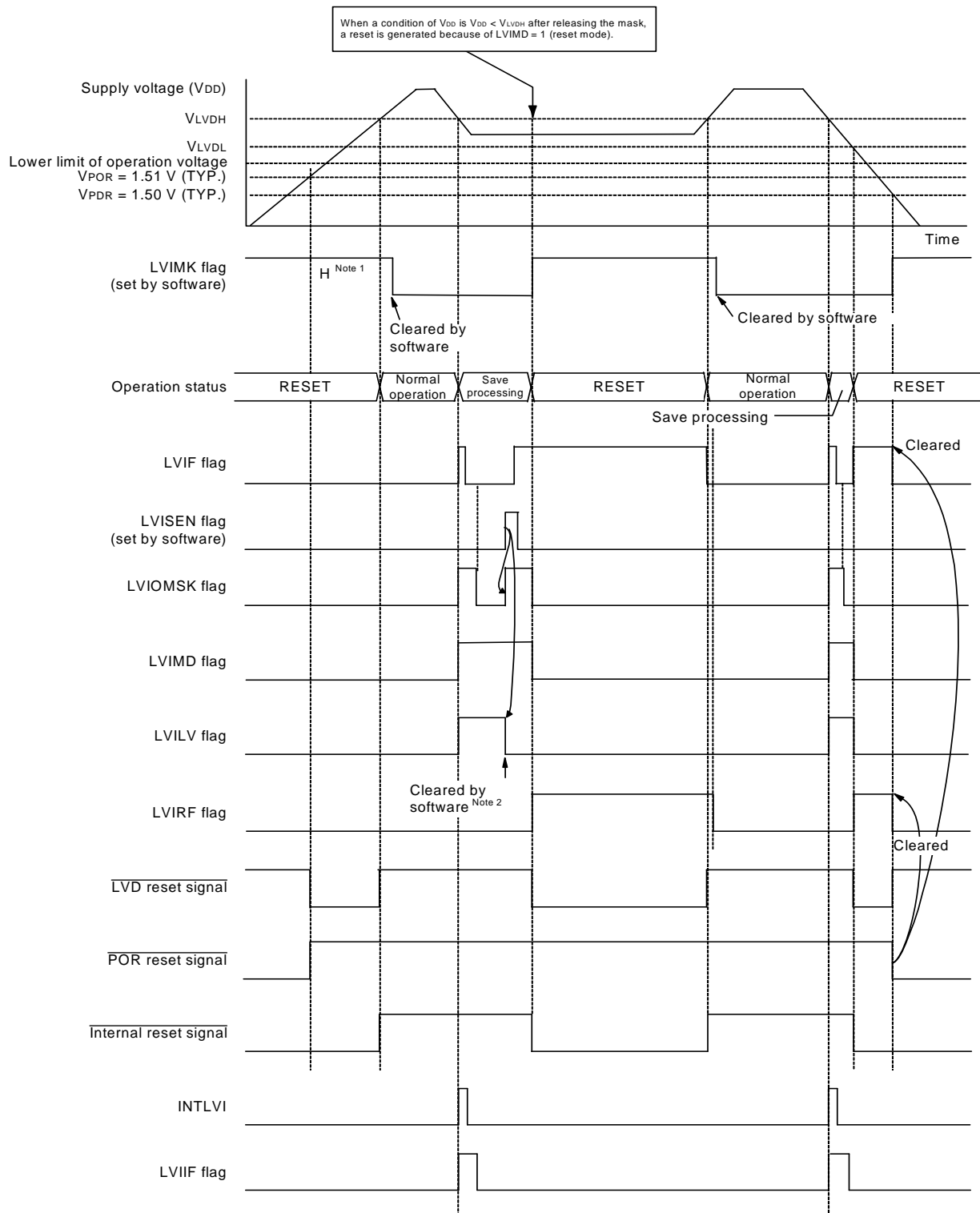
(Notes and Remark are listed on the next page.)

Note 1. The LVIMK flag is set to “1” by reset signal generation.

Note 2. After an interrupt is generated, perform the processing according to Figure 29 - 20 Setting Procedure for Operating Voltage Check and Reset in interrupt and reset mode.

Remark V_{POR}: POR power supply rise detection voltage
V_{POR}: POR power supply fall detection voltage

Figure 29 - 19 Timing of Voltage Detector Reset Signal and Interrupt Signal Generation (Option Byte LVIMDS1, LVIMDS0 = 1, 0) (2/2)

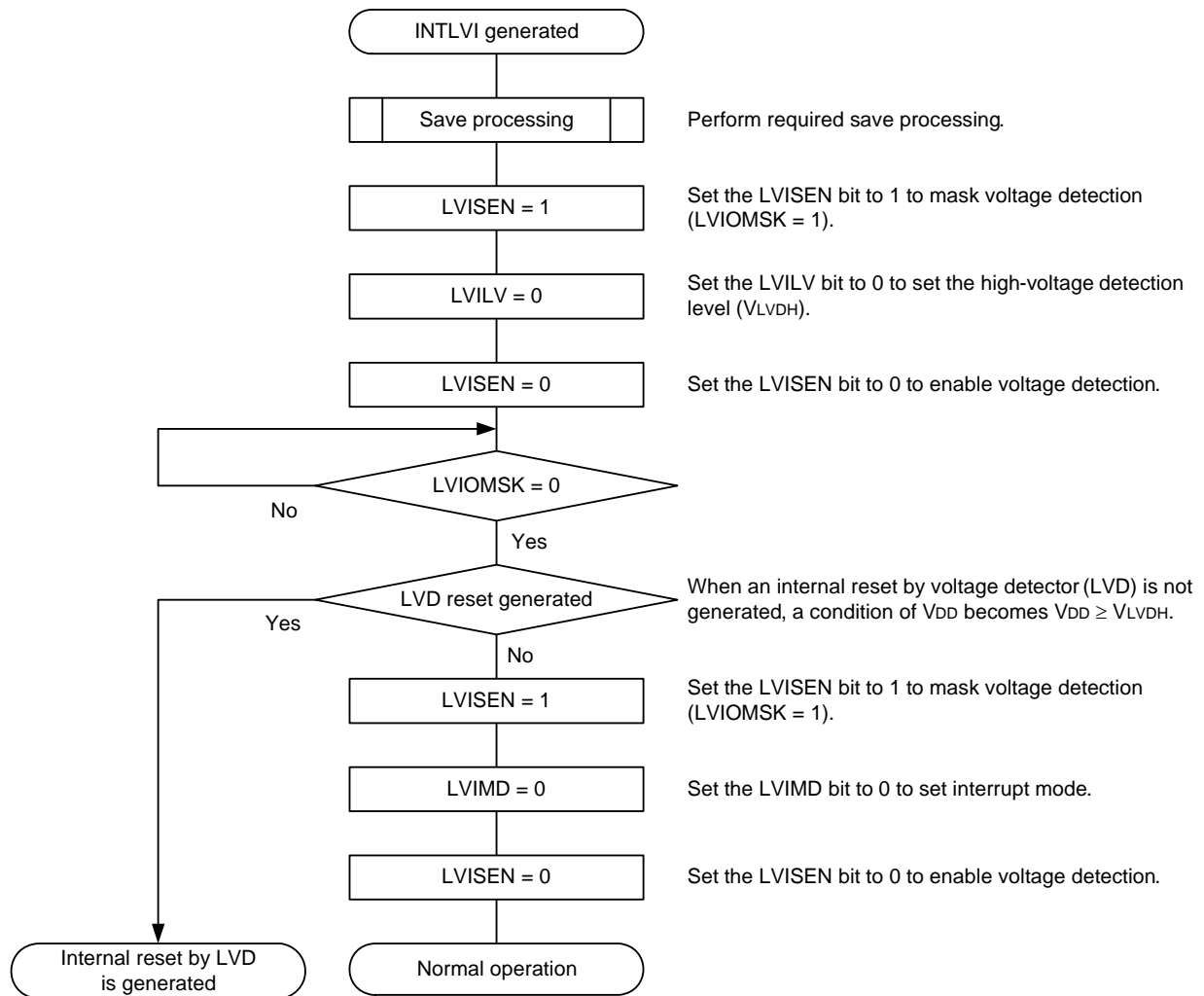


(Notes and Remark are listed on the next page.)

- Note 1.** The LVIMK flag is set to "1" by reset signal generation.
- Note 2.** After an interrupt is generated, perform the processing according to Figure 29 - 20 Setting Procedure for Operating Voltage Check and Reset in interrupt and reset mode.

- Remark** VPOR: POR power supply rise detection voltage
 VPDR: POR power supply fall detection voltage

Figure 29 - 20 Setting Procedure for Operating Voltage Check and Reset

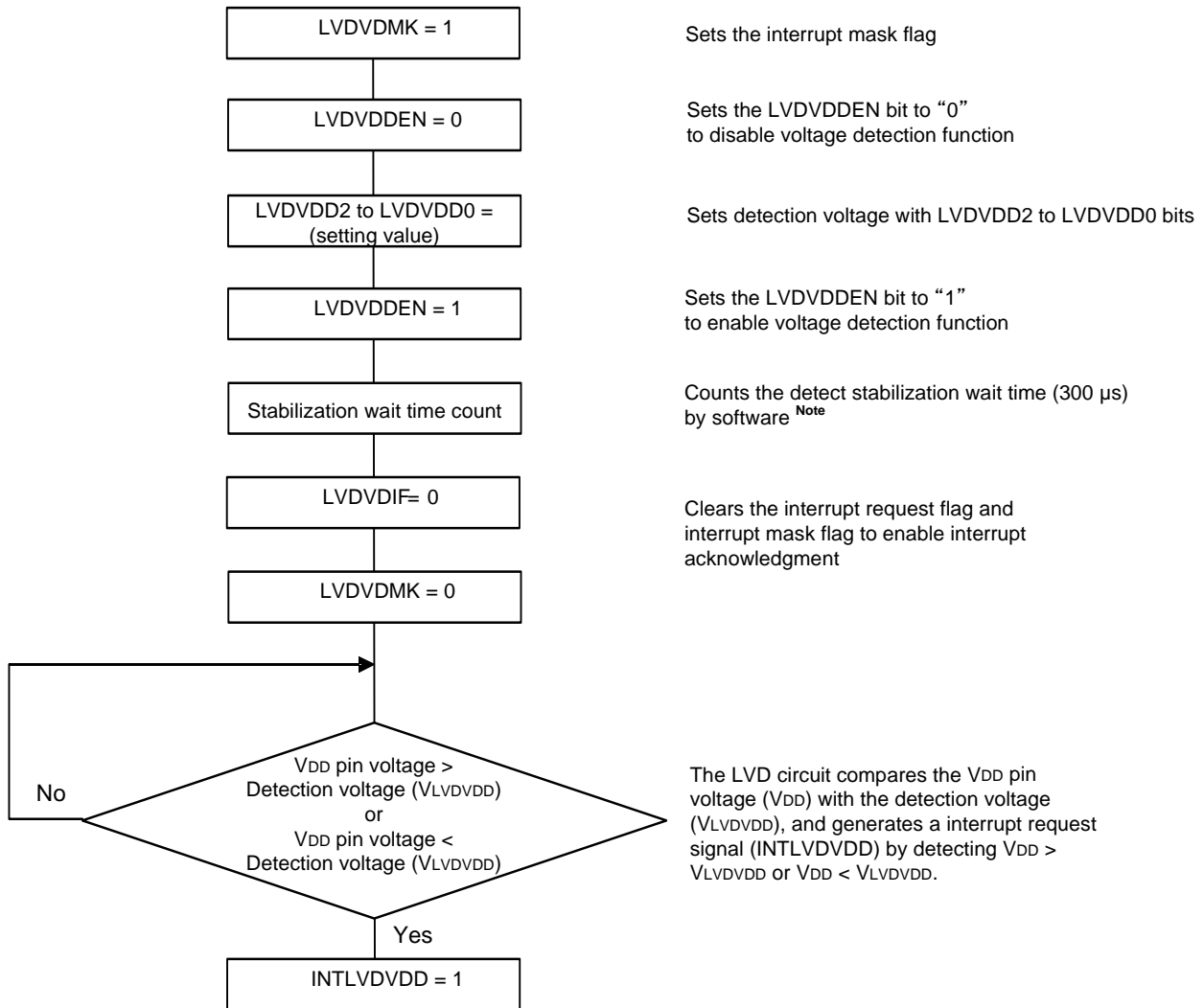


29.4.4 Each power supply pin voltage detection setting procedure

(1) V_{DD}

The setting procedure of V_{DD} pin voltage detection is shown below.

Figure 29 - 21 Setting Procedure of V_{DD} Pin Voltage Detection



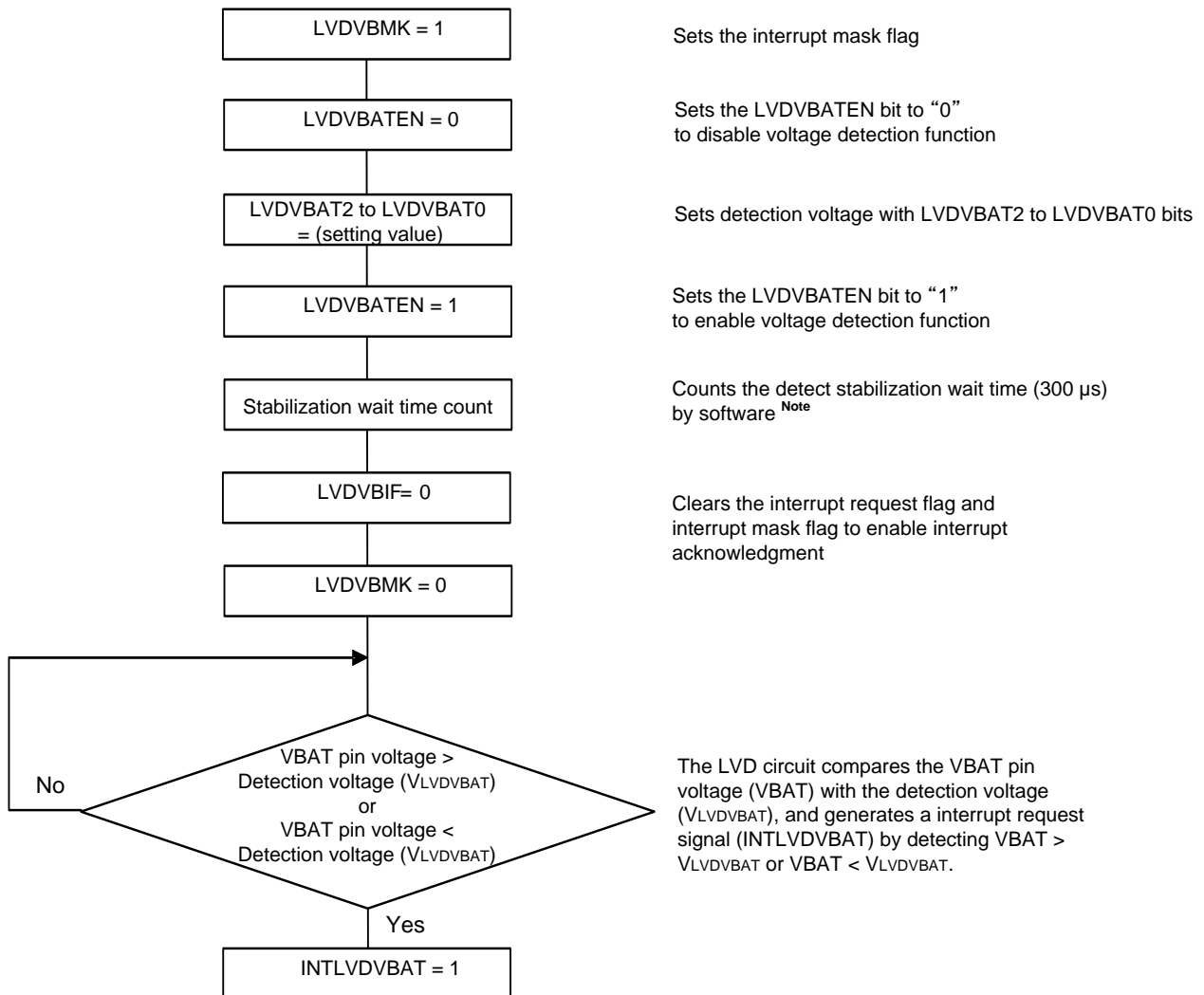
Note Be sure to set the detection voltage level when pin voltage < detection voltage.

Caution If other process operating secures the stabilization wait time after setting the LVDVDDEN bit to 1 to enable the voltage detect function operation, the count process isn't required.

(2) VBAT

The setting procedure of VBAT pin voltage detection is shown below.

Figure 29 - 22 Setting Procedure of VBAT Pin Voltage Detection



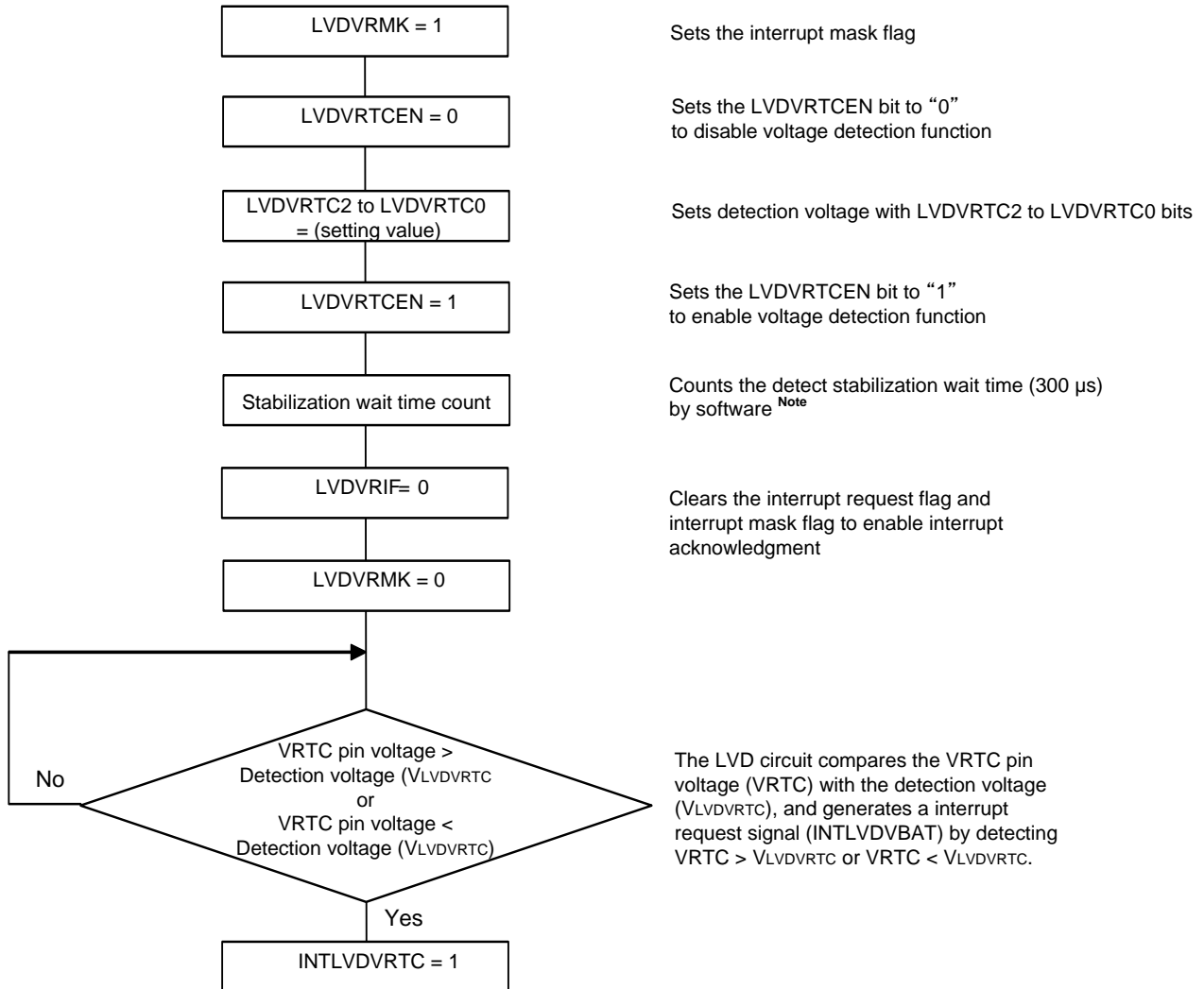
Note Be sure to set the detection voltage level when pin voltage < detection voltage.

Caution If other process operating secures the stabilization wait time after setting the LVDVBATEN bit to 1 to enable the voltage detect function operation, the count process isn't required.

(3) VRTC

The setting procedure of VRTC pin voltage detection is shown below.

Figure 29 - 23 Setting Procedure of VRTC Pin Voltage Detection



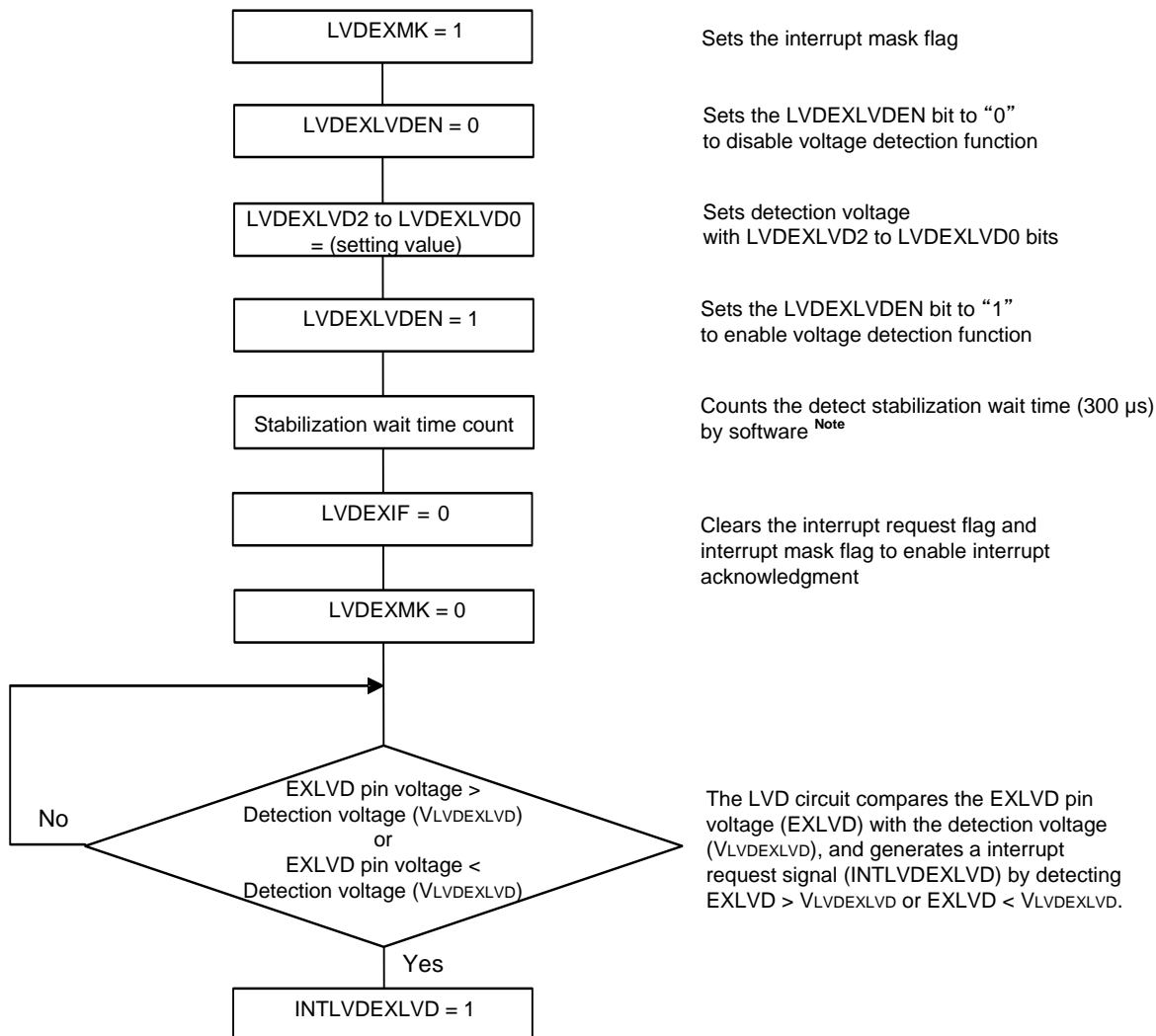
Note Be sure to set the detection voltage level when pin voltage < detection voltage.

Caution If other process operating secures the stabilization wait time after setting the LVDVRTCEN bit to 1 to enable the voltage detect function operation, the count process isn't required.

(4) EXLVD

The setting procedure of EXLVD pin voltage detection is shown below.

Figure 29 - 24 Setting Procedure of EXLVD Pin Voltage Detection



Note Be sure to set the detection voltage level when pin voltage < detection voltage.

Caution If other process operating secures the stabilization wait time after setting the LVDEXLVDEN bit to 1 to enable the voltage detect function operation, the count process isn't required.

29.5 Changing of LVD Detection Voltage Setting

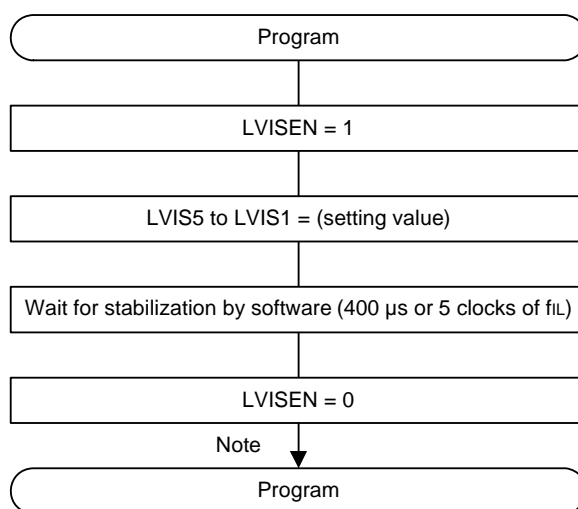
To change the LVD detection voltage by software, use the following procedure.

The LVD detection voltage can be changed in interrupt mode and reset mode.

In interrupt & reset mode, the value of the LVD detection voltage cannot be changed. Keep the initial value (set value in the option byte) unchanged.

To use two or more LVD detection voltages by changing LVISEL4 to LVISEL0 in the LVIS register by software, the highest voltage value of the used LVD detection voltages must be specified in the VPOC2 to VPOC0, LVIS1, and LVIS0 bits in the option byte (000C1H).

Figure 29 - 25 Changing of LVD Detection Voltage Setting

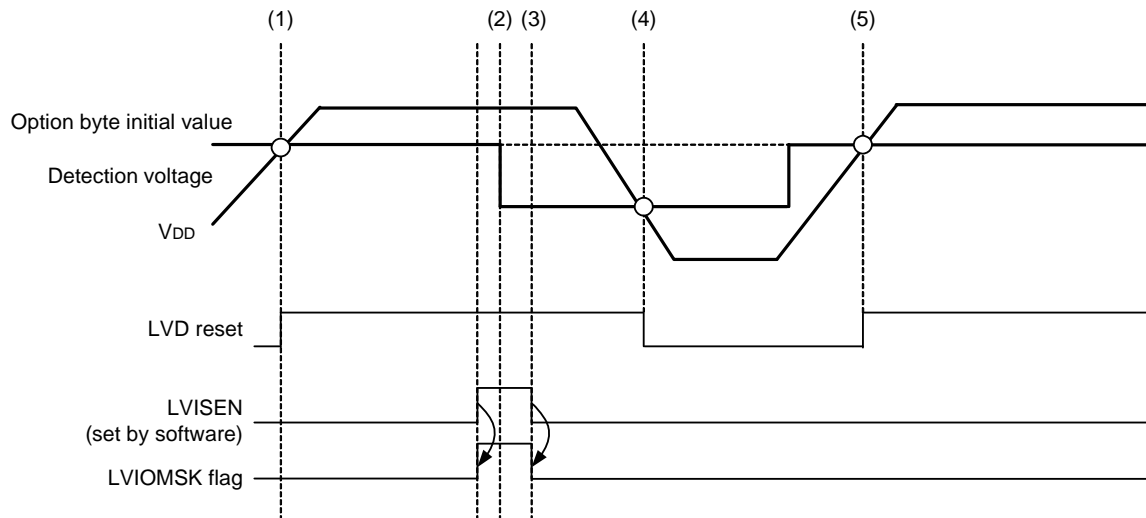


Note After LVISEN is set to 0, LVD is detected if $V_{LVD} > V_{DD}$, and a reset/interrupt is generated.

29.5.1 Changing of LVD detection voltage setting in LVD reset mode

Figure 29 - 26 shows an Example of Timing for Changing LVD Detection Voltage Setting in LVD Reset Mode.

Figure 29 - 26 Example of Timing for Changing LVD Detection Voltage Setting in LVD Reset Mode



Operation

- (1) When the supply voltage rises, the detection voltage set by the option byte is used to release the reset.
- (2) The value of the LVIS register is changed.
- (3) Waiting for stabilization by software is completed (400 μ s or five f_{IL} clock cycles after (2))
- (4) At LVD detection (falling), the detection voltage set by the LVIS register
- (5) At the LVD reset release (rising), the detection voltage set by the option byte

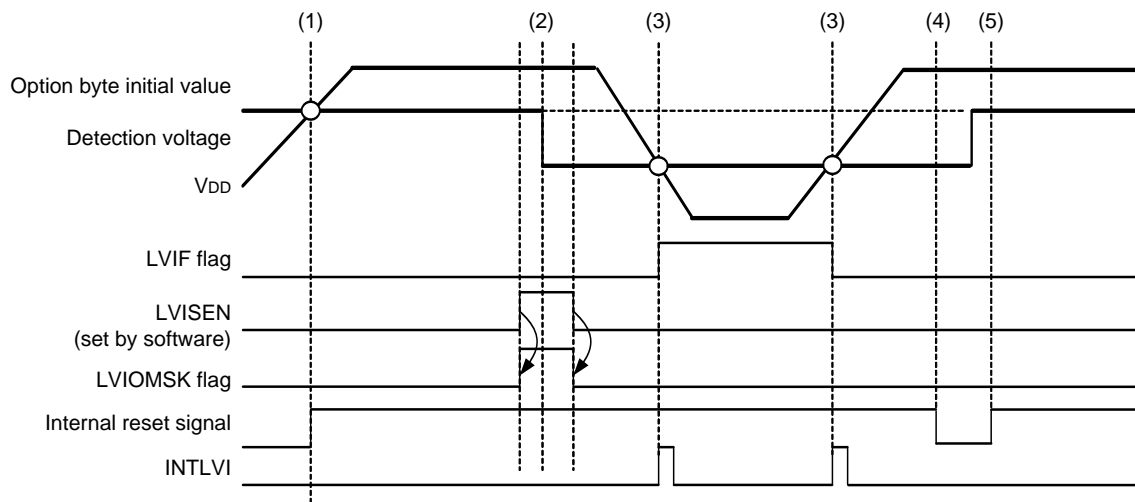
When changing the LVD detection voltage setting, note the following.

Caution The value of the reset release voltage in LVD reset mode is set to the set value in the option byte.

29.5.2 Changing of LVD detection voltage setting in LVD interrupt mode

Figure 29 - 27 shows an Example of Timing for Changing LVD Detection Voltage Setting in LVD Interrupt Mode.

Figure 29 - 27 Example of Timing for Changing LVD Detection Voltage Setting in LVD Interrupt Mode



Operation

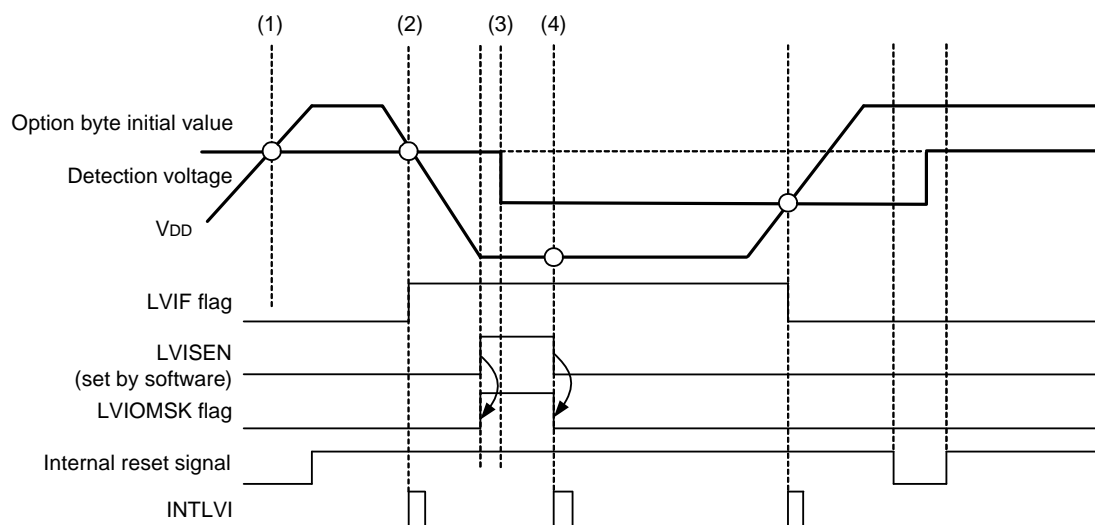
- (1) When the supply voltage rises, the detection voltage set by the option byte is used to release the reset.
- (2) The value of the LVIS register is changed.
- (3) At LVD detection (falling and rising), the detection voltage set by the LVIS register
- (4) An internal reset is generated.
- (5) The voltage value is changed to the set value in the option byte again when the internal reset is released.

When changing the LVD detection voltage setting, note the following.

Caution 1. Immediately after all resets are generated, the LVD internal reset retains its reset state until $V_{DD} \geq V_{LVD}$ (set value in the option byte). The LVD internal reset is released when $V_{DD} \geq V_{LVD}$ is detected (set value in the option byte).

After that, an interrupt request signal (INTLVI) is generated when $V_{DD} < V_{LVD}$ or $V_{DD} \geq V_{LVD}$ is detected.

Caution 2. If the LVD set voltage is changed by setting LVISEL4 to LVISEL0 in the LVIS register while $V_{DD} < V_{LVD}$, an LVD interrupt is generated when the masking is released (LVISEN = 0). See Figure 29 - 28.

Figure 29 - 28 Example of Timing for Changing LVD Detection Voltage Using LVIS When $V_{DD} < V_{LVD}$ 

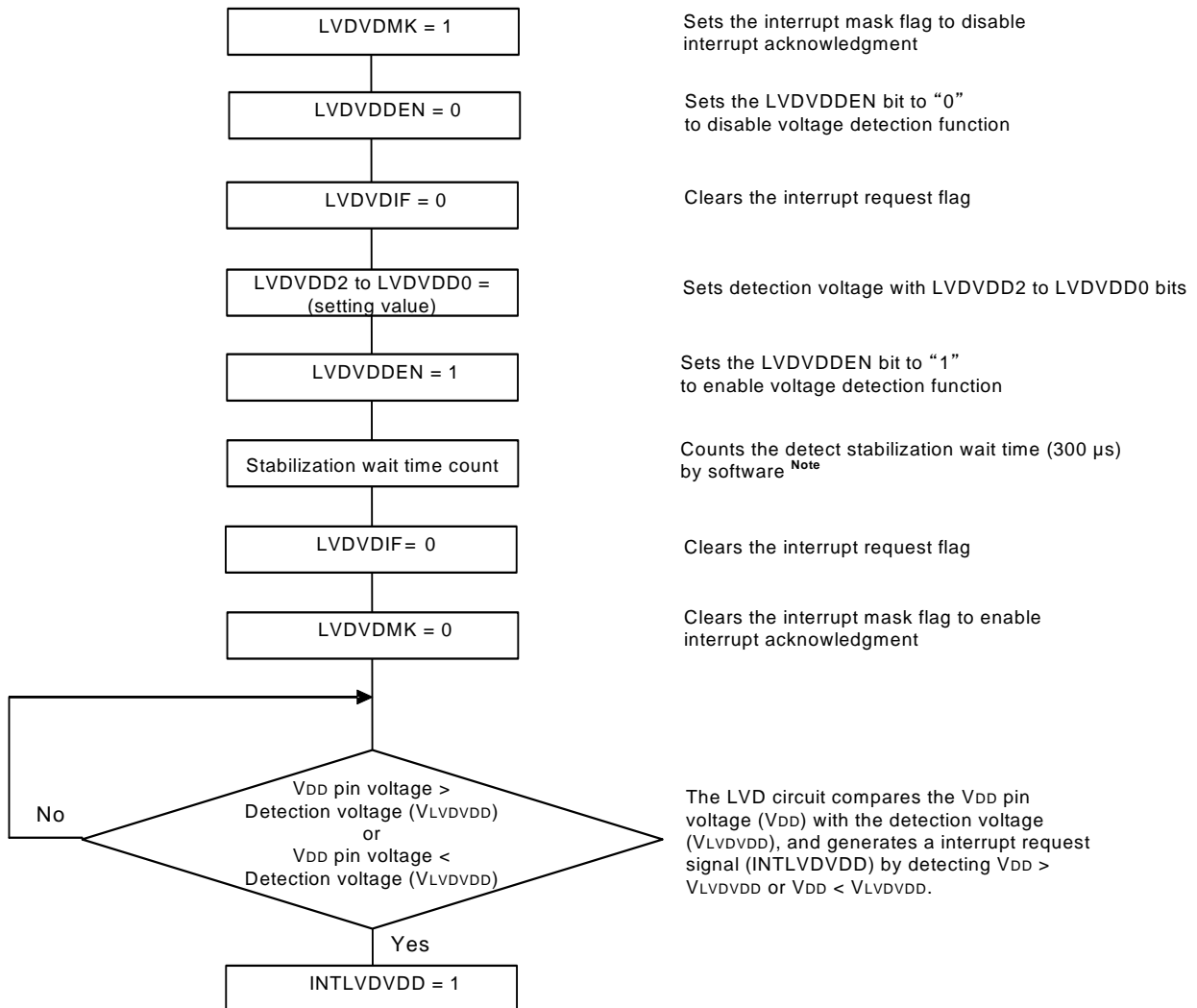
Operation

- (1) When the supply voltage rises, the detection voltage set by the option byte is used to release the reset.
- (2) At LVD detection (falling), the detection voltage set by the option byte
- (3) The value of the LVIS register is changed.
- (4) If $V_{DD} < V_{LVD}$ at the same time the masking is released, an interrupt is generated.

29.5.3 Changing of each power supply pin LVD detection voltage setting

To change the LVD detection voltage during voltage detection, use the following procedure.

Figure 29 - 29 Changing of LVD Detection Voltage Setting (V_{DD} pin)



Note Be sure to set the detection voltage level when pin voltage < detection voltage.

Caution If other process operating secures the stabilization wait time after setting the LVDVDDEN bit to 1 to enable the voltage detect function operation, the count process isn't required.

29.6 Cautions for Voltage Detector

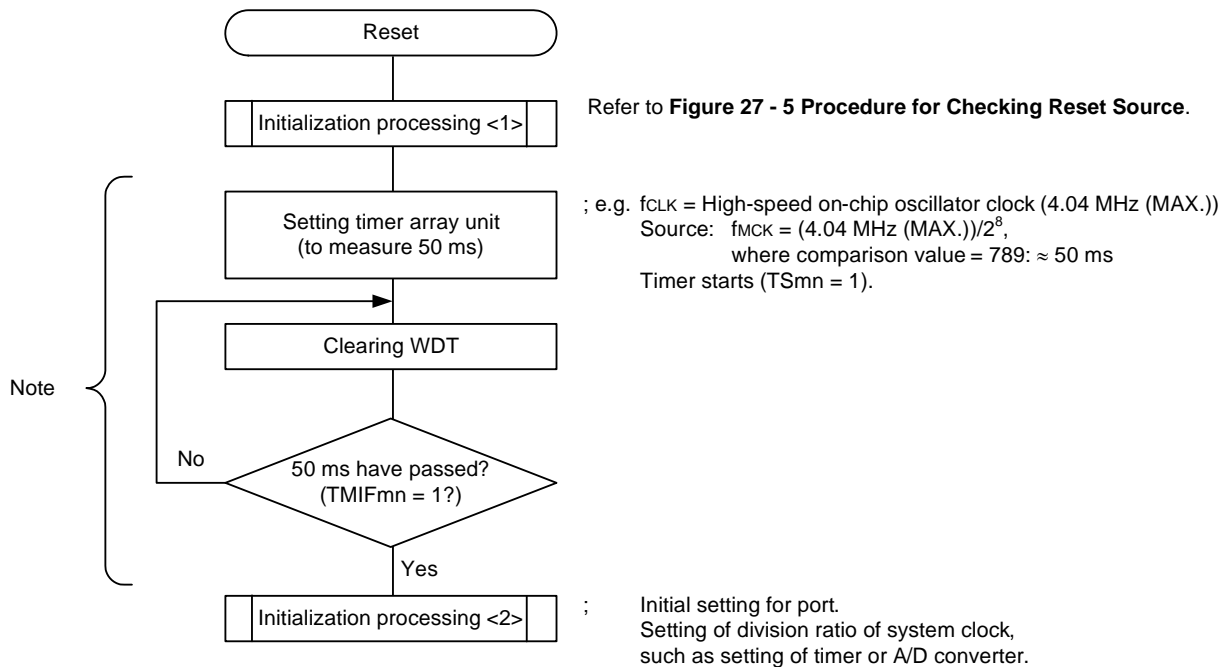
(1) Voltage fluctuation when power is supplied

In a system where the supply voltage (VDD) fluctuates for a certain period in the vicinity of the LVD detection voltage, the system may be repeatedly reset and released from the reset status. In this case, the time from release of reset to the start of the operation of the microcontroller can be arbitrarily set by taking the following action.

<Action>

After releasing the reset signal, wait for the supply voltage fluctuation period of each system by means of a software counter that uses a timer, and then initialize the ports.

Figure 29 - 30 Example of Software Processing If Supply Voltage Fluctuation is 50 ms or Less in Vicinity of LVD Detection Voltage



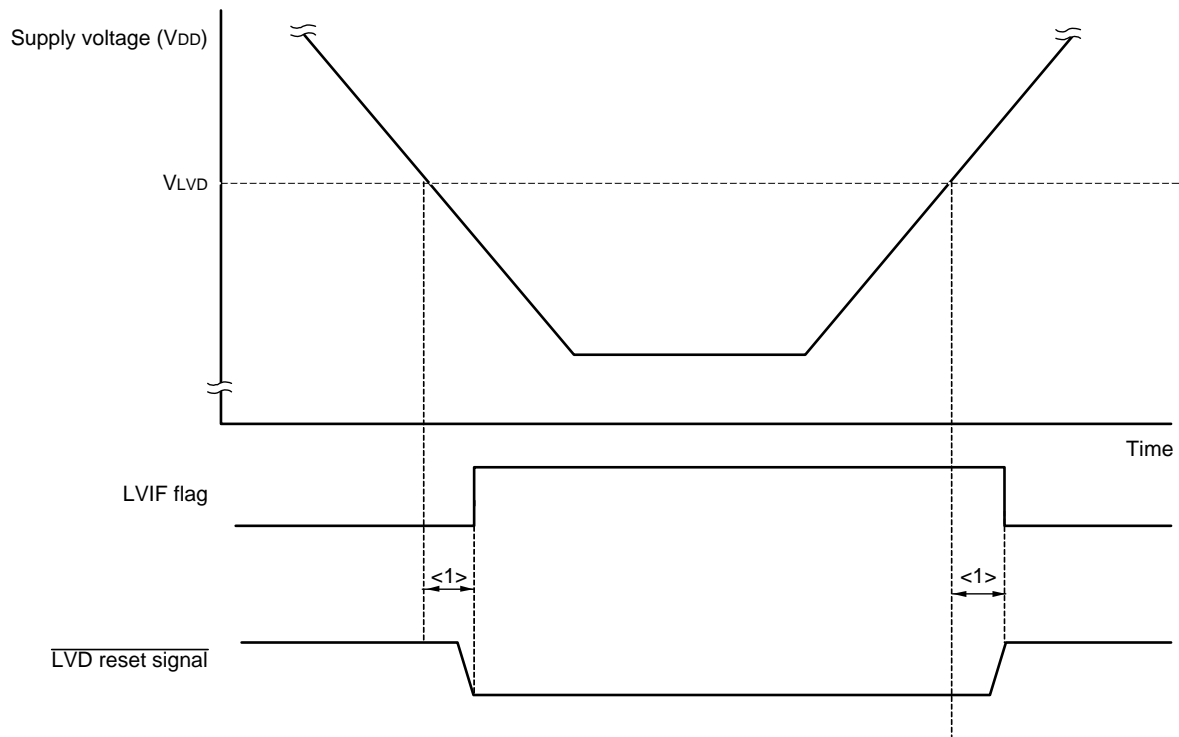
Note If reset is generated again during this period, initialization processing <2> is not started.

Remark m = 0
 n = 0 to 3

- (2) Delay from the time LVD reset source is generated until the time LVD reset has been generated or released
There is some delay from the time supply voltage (V_{DD}) < LVD detection voltage (V_{LVD}) until the time LVD reset has been generated.

In the same way, there is also some delay from the time LVD detection voltage ($V_{LVD} \leq$ supply voltage (V_{DD})) until the time LVD reset has been released (see **Figure 29 - 31**).

Figure 29 - 31 Delay from the time LVD reset source is generated until the time LVD reset has been generated or released



<1>: Detection delay (300 μ s (MAX.))

- (3) Power on when LVD is off

Use the external reset input via the $\overline{\text{RESET}}$ pin when the LVD is off.

For an external reset, input a low level for 10 μ s or more to the $\overline{\text{RESET}}$ pin. To perform an external reset upon power application, input a low level to the $\overline{\text{RESET}}$ pin, turn power on, continue to input a low level to the pin for 10 μ s or more within the operating voltage range shown in **41.4 AC Characteristics**, and then input a high level to the pin.

- (4) Operating voltage fall when LVD is off or LVD interrupt mode is selected

When the operating voltage falls with the LVD is off or with the LVD interrupt mode is selected, this LSI should be placed in the STOP mode, or placed in the reset state by controlling the externally input reset signal, before the voltage falls below the operating voltage range defined in **41.4 AC Characteristics**. When restarting the operation, make sure that the operation voltage has returned within the range of operation.

<R> (5) When supply voltage from the pins is shut off

When supply voltage from the pins selected with VBATEN and VBATSEL is shut off, the voltage detection function of V_{DD}, VBAT, VRTC, and EXLVD pins cannot be used.

<R> (6) When supply voltage output to the VDDOUT pin is shut off

When source supply voltage (V_{DD} and VBAT) of the VDDOUT pin is shut off, the voltage detection function of the VRTC pin cannot be used, even if supply voltage from the VRTC pin is not shut off.

CHAPTER 30 BATTERY BACKUP FUNCTION

30.1 Functions of Battery Backup

This function monitors the supply voltage at the V_{DD} pin, and switches the internal power supply and the power supply for $\Delta\Sigma$ A/D converter from the dedicated battery backup power pin (VBAT pin) when the voltage at the V_{DD} pin falls below the detection voltage. The mode used to supply the internal power and the power supply for $\Delta\Sigma$ A/D converter from the VBAT pin is referred to as battery backup mode. Even if power supply from the V_{DD} pin is cut off due to a power outage, operation of battery backup mode can be continued by switching to battery backup mode by hardware.

Table 30-1. Peripheral Circuit Operation State during Battery Backup (1/2)

Item			When operating CPU with the power of V _{DD} pin supplied	When operating CPU with the power of VBAT pin supplied
System clock			Clock supply operation to CPU	
	Main system clock		Operable	
	Subsystem clock		Operable when RTCPOR does not occur	
	fil		Operable	
CPU			Continuous operation	
Code flash memory			Continuous operation	Continuous operation ^{Note 1}
Data flash memory			Operable	Operation disabled ^{Note 6}
RAM			Continuous operation	
Port	Internal V _{DD} port	P20 to P25, P150 to P152 ^{Note 5}	Operable	
		P137, P121, P122	Operable	
	EV _{DD} port	Other than P20 to P25, P137, P121 to P124, P150 to P152	Operable	Operable when the power of EV _{DD} pin is supplied ^{Note 2} Not operable when the power of EV _{DD} pin is shut down ^{Note 3}
	VRTC port	P123, P124	Operable when RTCPOR does not occur	
Timer array unit			Operable	
Independent power supply RTC			Operable when RTCPOR does not occur	
Frequency measurement circuit			Operable	
Battery backup function			Continuous operation	
12-bit interval timer			Operable	
8-bit interval timer				
Watchdog timer				
Clock output/buzzer output				
10-bit A/D converter				
24-bit $\Delta\Sigma$ A/D converter			Operable	Operable ^{Note 4}
Temperature sensor			Operable	
Serial array unit				
IrDA				
Serial interface (IICA)				

(Notes are listed on the next page.)

Table 30-1. Peripheral Circuit Operation State during Battery Backup (2/2)

Item		When operating CPU with the power of V _{DD} pin supplied	When operating CPU with the power of V _{BAT} pin supplied
LCD controller/driver		Operable	
Data transfer controller (DTC)			
Event link controller (ELC)			
Power-on-reset function		Continuous operation	
RTC power-on-reset function		Continuous operation	
Voltage detection function	Internal power supply voltage (Internal V _{DD})	Operable	
	V _{DD} , V _{BAT} , V _{VRTC} , EXLVD Pin voltage	Operable	
External interrupt	INTP0	Operable	
	INTP1 to INTP7	Operable	Operable when the power of EV _{DD} pin is supplied ^{Note 2} . Not operable when the power of EV _{DD} pin is shut down.
	RTCIC0 to RTCIC2	Operable	
Key interrupt input		Operable	
CRC operation function			
32-bit multiplier and multiplyaccumulator			
RAM parity error detection function			
RAM guard function			
SFR guard function			
Illegal-memory access detection function			
AES function			

Notes 1. The self-programming function cannot be used.

2. When supplying the power from outside to the EV_{DD} pin, it is recommended to backup the V_{DD} and V_{BAT} pins or the V_{VRTC} pin with the diode ORing.

3. When the power of EV_{DD} is not supplied, set GDIDIS0 to 1.

4. The $\Delta\Sigma$ A/D converter operable in the backup mode is limited up to 3 channels.

5. RTCIC0, RTCIC1, and RTCIC2 pins are included.

6. When power supply switching by the battery backup function occurs, access to the data flash memory is prohibited.

<R>

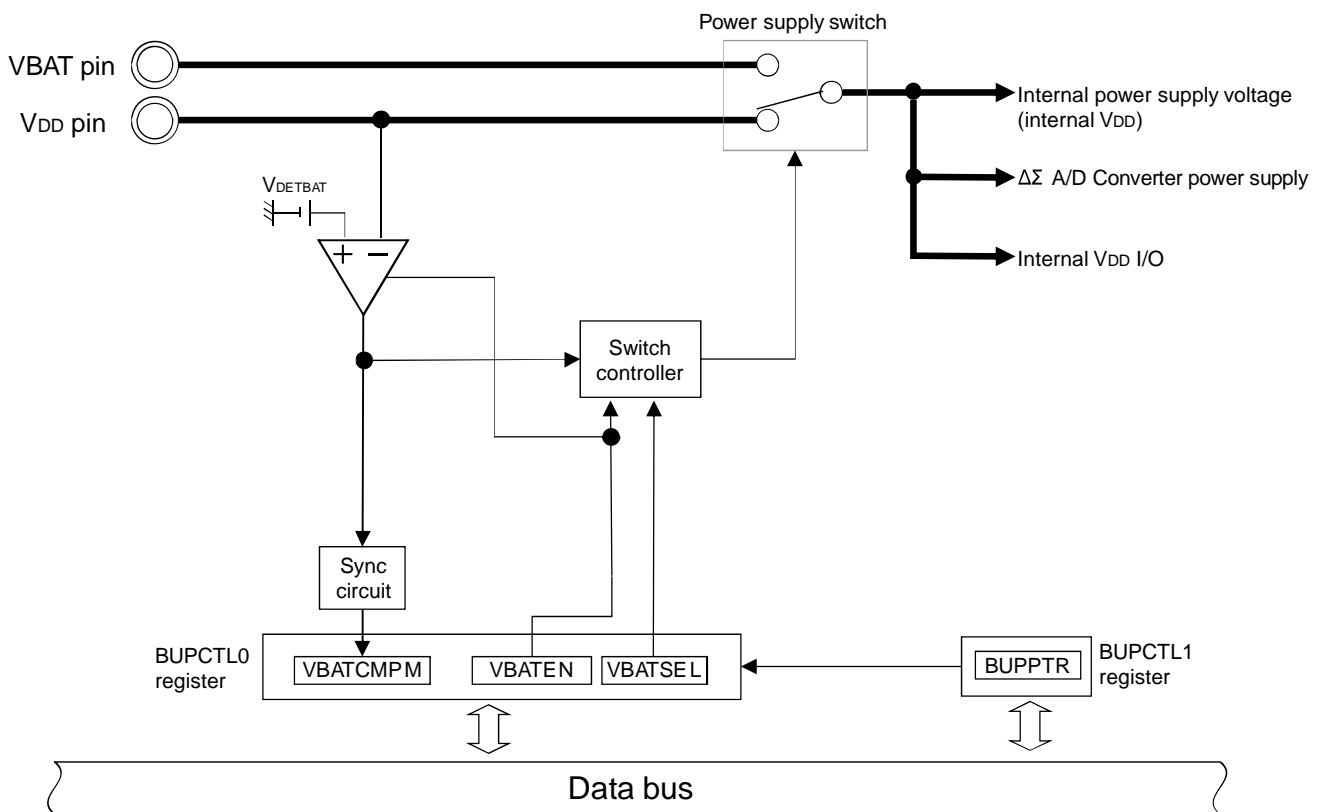
- The power is supplied from the V_{DD} pin at startup of the power supply. MCU remains reset even when the power is supplied to the V_{BAT} pin earlier than the V_{DD} pin.
- The battery backup function is stopped by default. The battery backup mode must be set by the software after startup of the power supply.
- If the V_{DD} pin voltage is lower than the detection voltage, the internal power and the power supply for $\Delta\Sigma$ A/D converter can be switched from the V_{DD} supply to the V_{BAT} supply. When the V_{DD} pin voltage is recovered higher than the detection voltage, the internal power and the power supply for $\Delta\Sigma$ A/D converter can be switched from the V_{BAT} supply to the V_{DD} supply.
- Under the condition of V_{BAT} \geq V_{DD}, the software enables to switch the internal power and the power supply for $\Delta\Sigma$ A/D converter from the V_{BAT} supply to the V_{DD} supply.

<R>

Figure 30-1 shows the block diagram of the battery backup function.

<R>

Figure 30-1. Block Diagram of Battery Backup Function



30.1.1 Pin configuration

Table 30-2 lists the pin configuration of battery backup function.

Table 30-2. Pin Configuration of Battery Backup Function

Name	Function
V _{DD}	Positive power from the pin
VBAT	Power for battery backup

30.2 Registers

Table 30-3 lists the registers used for battery backup.

Table 30-3. Registers

Register Name	Symbol
Battery backup power switching control register 0	BUPCTL0
Battery backup power switching control register 1	BUPCTL1
Global digital input disable register	GDIDIS

30.2.1 Battery backup power switching control register 0 (BUPCTL0)

- <R> The BUPCTL0 register is used to select the power supply pin.
- The BUPCTL0 register can be set by a 1-bit or 8-bit memory manipulation instruction.
- VBATEN (bit 7) and VBATSEL (bit 0) are cleared to 0 only when a power-on reset is generated. Other bits are cleared to 0 when a reset signal is generated.

Figure 30-2. Format of Battery Backup Power Switching Control Register 0 (BUPCTL0) (1/2)

Address: F0330H After reset: 00H^{Note 1} R/W

Symbol	<7>	6	5	4	<3>	2	1	<0>
<R> BUPCTL0	VBATEN	0	0	0	VBATCMPM	0	0	VBATSEL

<R> VBATEN ^{Notes 2, 4}	Battery backup function control
0	Battery backup function stops ^{Note 3}
1	Battery backup function operates

- Notes**
1. VBATEN (bit 7) and VBATSEL (bit 0) are cleared to 0 only when a power-on reset is generated.
 2. To set the VBATEN bit to 1, write 0 and then write 1 to this bit. If a value is written to an SFR other than BUPCTL0 after 0 has been written, the VBATEN bit cannot be set to 1.
To set the VBATEN bit to 0, write 1 and then write 0 to this bit. If a value is written to an SFR other than BUPCTL0 after 1 has been written, the VBATEN bit cannot be set to 0.
 3. By setting the battery backup function stop (VBATEN is cleared) when the internal power supply is set to the VBAT supply, the power supply can be switched from the V_{DD} pin.
To forcibly shut down the power supply from the VBAT pin when the V_{DD} voltage is not supplied, clear the VBATEN bit to 0. The power is not supplied (power-on-reset status) since the power supply from V_{DD} pin is forcibly switched. After that, this status is recovered by the V_{DD} power supply.
 4. The minimum operating voltage of this product varies according to the VBATEN setting value.
When VBATEN = 0, the minimum operating voltage is 1.7 V.
When VBATEN = 1, the minimum operating voltage is 1.9 V.

Figure 30-2. Format of Battery Backup Power Switching Control Register 0 (BUPCTL0) (2/2)

<R>	VBATCMPM ^{Note 1}	Battery backup comparator output monitor
	0	V _{DD} pin voltage ≥ power switching detection voltage (V _{DETBAT2}) or power switching function stopped (VBATEN = 0)
	1	V _{DD} pin voltage < power switching detection voltage (V _{DETBAT1})
<R>	VBATSEL ^{Note 2}	Power supply pin selection
	0	The supply source is switched by hardware depending on the potential of V _{DD} pin.
	1	Power is supplied from VBAT pin.

- <R> **Notes** 1. Bit 3 is Read only.
 <R> 2. To set the VBATSEL bit to 1, write 0 and then write 1 to this bit. If a value is written to an SFR other than BUPCTL0 after 0 has been written, the VBATSEL bit cannot be set to 1.
 To set the VBATSEL bit to 0, write 1 and then write 0 to this bit. If a value is written to an SFR other than BUPCTL0 after 1 has been written, the VBATSEL bit cannot be set to 0.

- <R> **Cautions** 1. Setting VBATSEL = 1 is prohibited when V_{DD} > 4.0 V and VBAT < 2.4 V, or VBAT > 4.0 V and V_{DD} < 2.4 V.
 <R> 2. Be sure to clear bits 6 to 4, 2, and 1 to "0".

- <R> **Remark** Set the operation/stop of the battery backup function according to Figure 30-7 Procedure for Setting Battery Backup Function Operation, Figure 30-8 Procedure for Battery Backup Function Stop, and 30.3.2 Using the battery backup function.

30.2.2 Battery backup power switching control register 1 (BUPCTL1)

The BUPCTL1 register is used to disable or enable rewriting of the BUPCTL0 register. Since rewriting of the BUPCTL0 register is disabled when the BUPPRT bit is 0, the BUPCTL0 register can be prevented from being written inadvertently.

The BUPCTL1 register can be set by a 1-bit or 8-bit memory manipulation instruction.

Reset signal generation clears this register to 00H.

Figure 30-3. Format of Battery Backup Power Switching Control Register 1 (BUPCTL1)

Address: F0331H After reset: 00H R/W

Symbol	<7>	6	5	4	3	2	1	0
BUPCTL1	BUPPRT	0	0	0	0	0	0	0

BUPPRT	BUPCTL0 register write protection control
0	The BUPCTL0 register cannot be written, but it can be read.
1	The BUPCTL0 register can be written and read.

Caution Be sure to clear bits 6 to 0 to 0.

30.2.3 Global digital input disable register (GDIDIS)

When EV_{DD} and V_{DD} are used at the same potential, if power supply from the V_{DD} pin is stopped due to power outage, EV_{DD} supply will also stop and drop to 0 V. The GDIDIS register prevents through-current to the input buffer when EV_{DD} = 0 V. Setting the GDIDIS0 bit to 1 disables input to all input buffers^{Note} connected to EV_{DD}, and prevents shoot-through current when the power connected to EV_{DD} is turned off. When using the GDIDIS register, set GDIDIS0 to 1 before turning off the power for EV_{DD}, and then set GDIDIS0 to 0 after turning on the power for EV_{DD}.

The GDIDIS register can be set by a 1-bit or 8-bit memory manipulation instruction.

Reset signal generation clears this register to 00H.

Note Port pin other than the I/O buffer (P20 to P25, P121 to P124, P137 and P150 to P152) that is driven by internal V_{DD} or V_{RTC}.

Because the power supply of the I/O buffer switches to V_{DD} or V_{BAT} pin with the battery backup function, I/O that is driven by internal V_{DD} can be used even when GDIDIS is set to 1.

See **Table 2-1 Pin I/O Buffer Power Supplies** for the I/O buffer power of the pins.

Figure 30-4. Format of Global Digital Input Disable Register (GDIDIS)

Address: F007DH After reset: 00H R/W

Symbol	7	6	5	4	3	2	1	0
GDIDIS	0	0	0	0	0	0	0	GDIDIS0

GDIDIS0	Setting of input buffers using EV _{DD} power supply
0	Input to input buffers permitted (default)
1	Input to input buffers prohibited. No through-current flows to the input buffers.

30.3 Operation

30.3.1 Battery backup function

When the voltage from the V_{DD} pin falls below the detection voltage, the power supply from the dedicated battery backup power pin (VBAT pin) can be switched to the internal power supply and the power supply for $\Delta\Sigma$ A/D converter. When the voltage supplied from the V_{DD} pin falls below the detection voltage ($V_{DET\text{BAT}1}$), the internal power and the power supply for $\Delta\Sigma$ A/D converter are switched from V_{DD} supply to VBAT supply.

At power on, the internal power and the power supply for $\Delta\Sigma$ A/D converter are fixed to be always supplied from the V_{DD} pin. When a power-on reset is generated, the VBATEN bit in the BUPCTL0 register is reset to 0. When the VBATEN bit in the BUPCTL0 register is 0, the power switching function is stopped, and the internal power and the power supply for $\Delta\Sigma$ A/D converter are supplied from the V_{DD} pin. When the VBATEN bit in the BUPCTL0 register is set to 1, the power switching function operates. When the power switching function is operating, the internal power supply and the power supply for $\Delta\Sigma$ A/D converter are switched from V_{DD} supply to VBAT supply when the supply voltage from the V_{DD} pin becomes lower than the detection voltage ($V_{DET\text{BAT}1}$). The internal power supply and the power supply for $\Delta\Sigma$ A/D converter are switched from VBAT supply to V_{DD} supply when the V_{DD} voltage rises to or above the detection voltage ($V_{DET\text{BAT}2}$) again while the power is supplied from the VBAT pin.

In addition, the power supply from the V_{DD} pin can be switched to the power supply from the VBAT pin by software. When the VBATEN bit in the BUPCTL0 register is 1 (power switching function operates), the power supply is switched to the power supply from the VBAT pin by setting the VBATSEL bit in the BUPCTL0 register to 1 (power is supplied from VBAT).

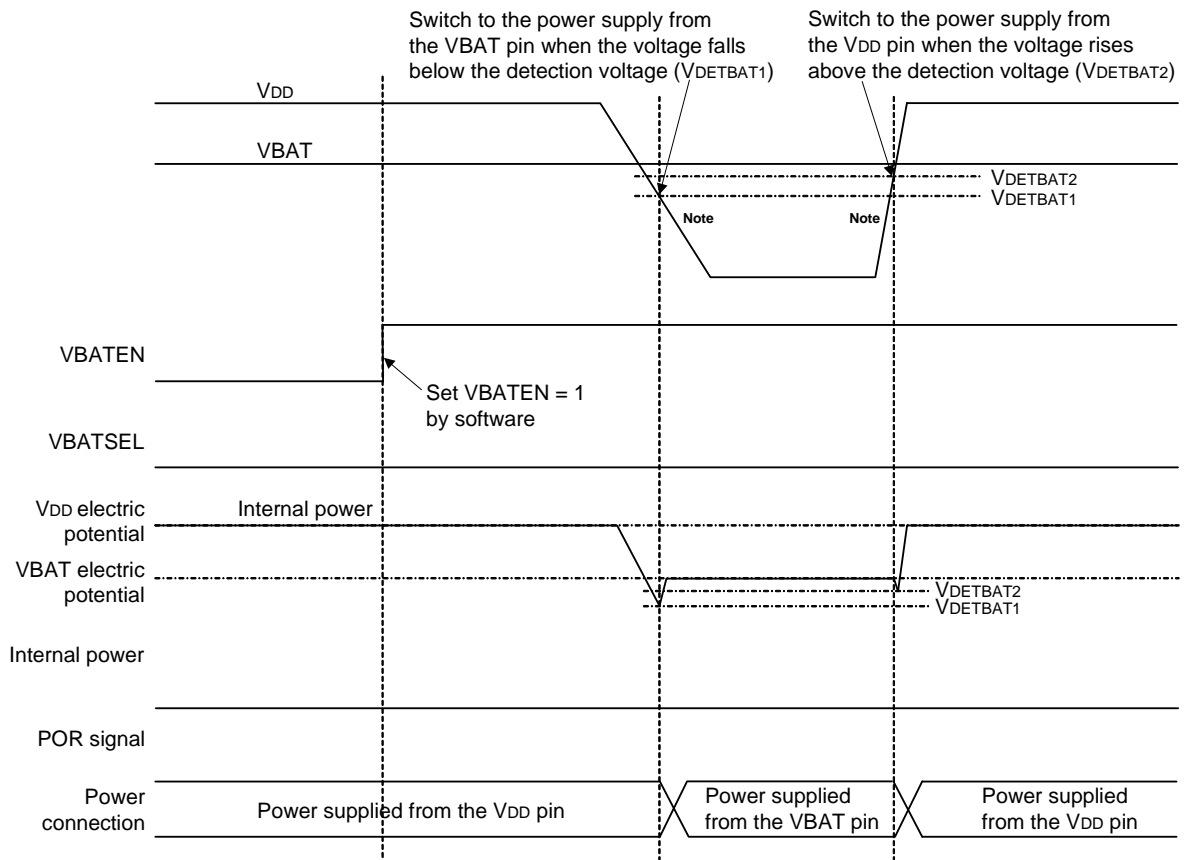
Table 30-4 lists the specifications of battery backup operation and Figure 30-5, Figure 30-6 show battery backup operation.

Table 30-4. Specifications of Battery Backup Operation

Power	VBATEN	VBATSEL	Condition	Internal Power and Power Supply for $\Delta\Sigma$ A/D Converter Connection
At power on	x	x	–	Power supplied from the V_{DD} pin
After power on	1	0	$V_{DD} \geq V_{DET\text{BAT}2}$	Power supplied from the V_{DD} pin
			$V_{DET\text{BAT}1} < V_{DD} < V_{DET\text{BAT}2}$	Power supplied from the V_{DD} pin or power supplied from the VBAT pin (Has hysteretic characteristics)
			$V_{DD} \leq V_{DET\text{BAT}1}$	Power supplied from the VBAT pin
	0	1	–	Power supplied from the VBAT pin

Remark x: Don't care

Figure 30-5. Battery Backup Operation (1) with VBATEN = 1 and VBATSEL = 0



Note For details about the power rising and falling slopes, see **CHAPTER 41 ELECTRICAL SPECIFICATIONS**.

Figure 30-6. Battery Backup Operation (2) with VBATEN = 1 and VBATSEL = 1

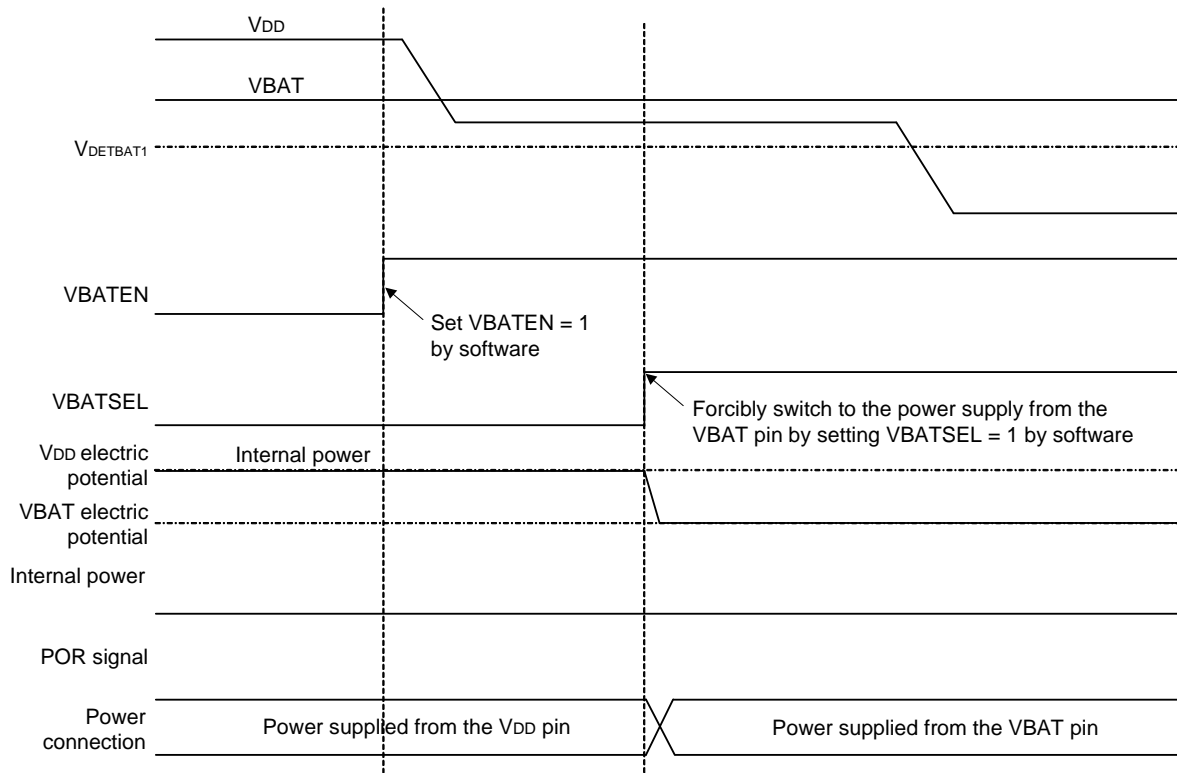
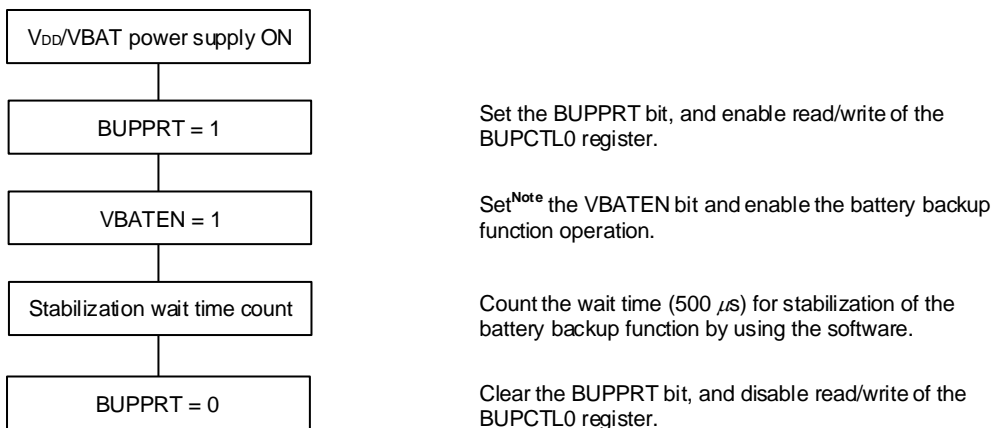


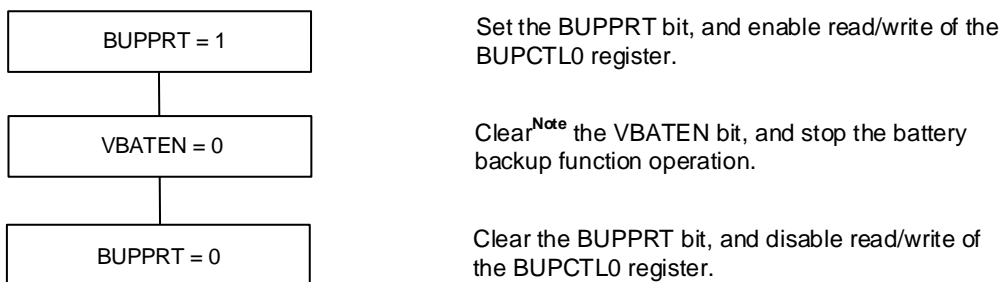
Figure 30-7 shows the procedure for setting the battery backup function operation, and Figure 30-8 shows the procedure for setting the battery backup function stop.

<R> **Figure 30-7. Procedure for Setting Battery Backup Function Operation**



Note Write 1 after writing 0 to set the VBATEN bit to 1.

<R> **Figure 30-8. Procedure for Setting Battery Backup Function Stop**



Note Write 0 after writing 1 to clear the VBATEN bit to 0.

<R> 30.3.2 Using the battery backup function

When power supply switching is performed with hardware ($VBATEN = 1$ and $VBATSEL = 0$), the following phenomena occur due to sudden fluctuations of the internal power supply when the supply voltage from the V_{DD} pin becomes lower than the detection voltage ($V_{DETBAT1}$) and the internal power supply is switched from V_{DD} supply to $VBAT$ supply, or when the V_{DD} voltage recovers to the detection voltage ($V_{DETBAT2}$) or higher while the power is supplied from the $VBAT$ pin and the internal power supply is switched from $VBAT$ supply to V_{DD} supply. This also applies when power supply switching is performed with software ($VBATSEL = 0$ to 1 , or $VBATSEL = 1$ to 0).

<1> High-speed on-chip oscillator clock (f_{IH}) may change its frequency or stop.

<2> Instructions may not be read out correctly at the moment of power supply switching when HS (high-speed main) mode is used.

When using the battery backup function to prevent the CPU from operating with the high-speed on-chip oscillator clock when power supply switching occurs and prevent readout of the flash memory in HS (high-speed main) mode when power supply switching occurs, make sure to use it as described below.

<1> Power supply switching with software ($VBATSEL$)

Figure 30-9 shows the operation when power supply switching is performed with software ($VBATSEL$).

Power failure

Perform power failure detection by using a voltage detection interrupt (INTLVDVDD) of the V_{DD} pin, and switch the internal power supply to the $VBAT$ pin supply by using the setting procedure in Figure 30-10 before power supply switching by the battery backup circuit occurs.

In battery backup mode ($VBAT$ pin supply)

Operation is available according to Table 30-1.

Power recovery

Perform power recovery detection by using a voltage detection interrupt (INTLVDVDD) of the V_{DD} pin, and switch the internal power supply to the V_{DD} pin supply by using the setting procedure in Figure 30-10.

- Cautions**
1. When $V_{DD} > 4.0$ V and $VBAT < 2.4$ V, or $VBAT > 4.0$ V and $V_{DD} < 2.4$ V, power supply switching by rewriting $VBATSEL$ is prohibited.
 2. When voltage over $VBAT + 0.3$ V is applied to the V_{DD} system ports (P20 to P25, P121, P122, P137, P150 to P152) when $VBATSEL = 1$, through current is generated for I/O protection in the path as shown in Figure 30-11.

Figure 30-9. Power Supply Switching Operation with Software (VBATSEL)

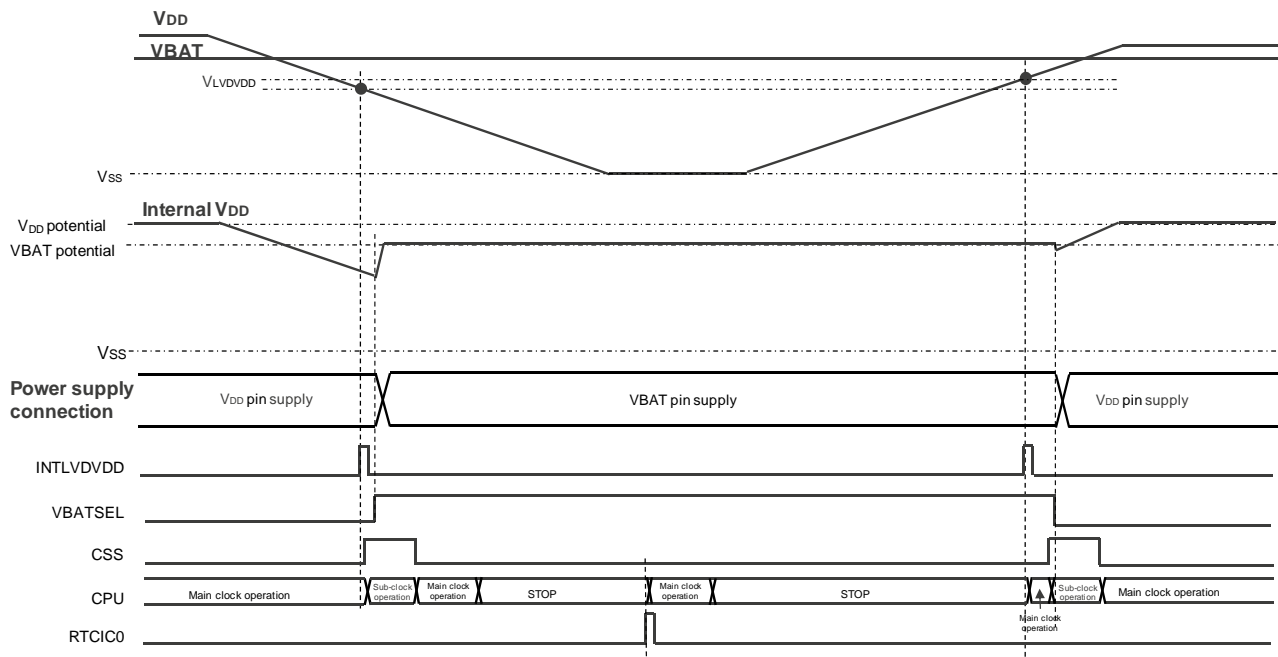


Figure 30-10. Setting Procedure for Power Supply Switching with Software (VBATSEL)

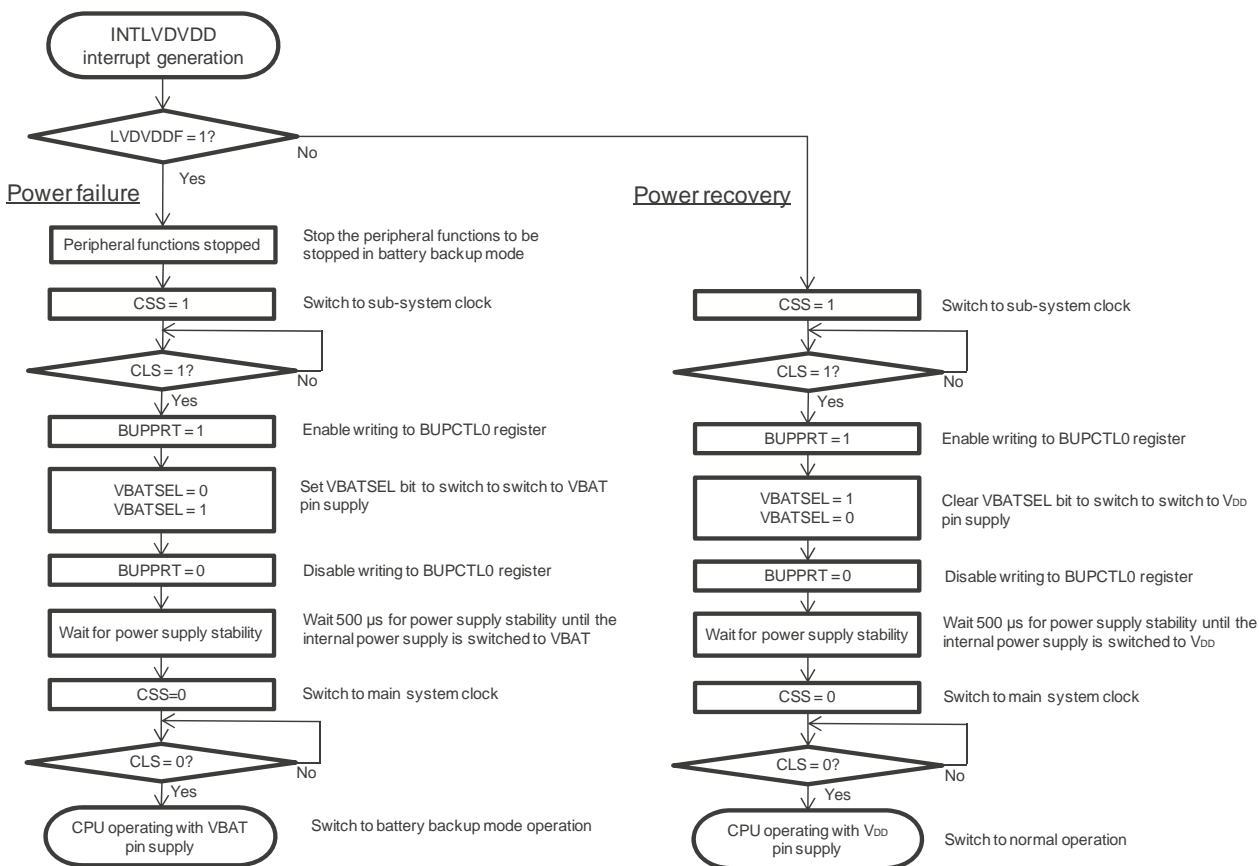
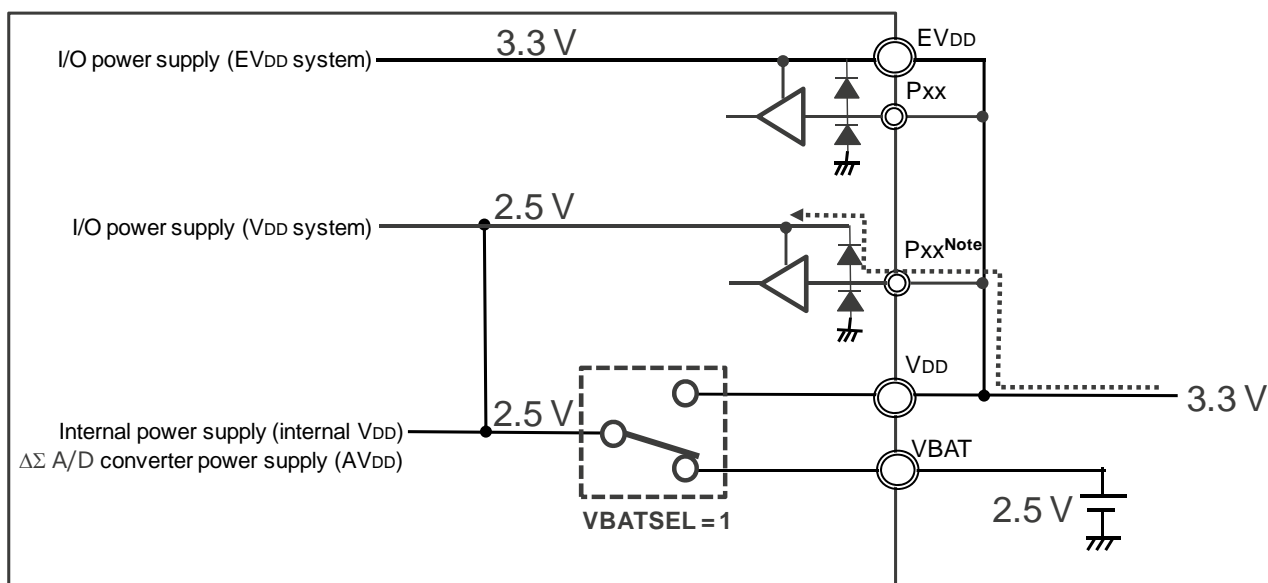


Figure 30-11. Conditions for Follow-through Current Generation When VBATSEL = 1



Note V_{DD} power supply I/O (P20 to P25, P121, P122, P137, P150 to P152)

<2> Power supply switching with hardware (VBATSEL = 0)

Figure 30-12 shows the operation when power supply switching is performed with hardware.

Power failure

Perform power failure detection by using a voltage detection interrupt (INTLVDVDD) of the V_{DD} pin, and switch to sub-system clock operation by using the procedure in Figure 30-13 before power supply switching by the battery backup circuit occurs.

In battery backup mode (VBAT pin supply)

Operation is available only with the sub-system clock or in HALT. Operation with the main system clock is prohibited. When operation with the main system clock is required in battery backup mode, perform power supply switching by software (VBATSEL).

Power recovery

Perform power recovery detection by using a voltage detection interrupt (INTLVDVDD) of the V_{DD} pin, and switch to main system clock operation by using the procedure in Figure 30-13.

Figure 30-12. Power Supply Switching Operation with Hardware (VBATSEL = 0)

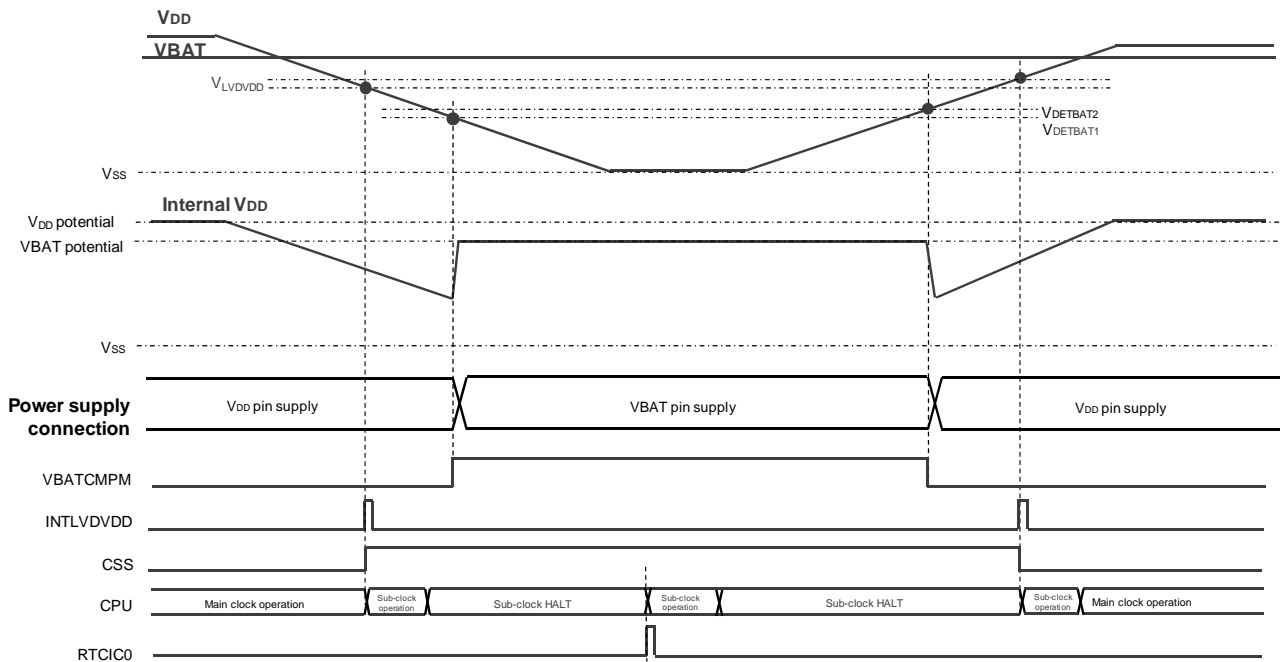
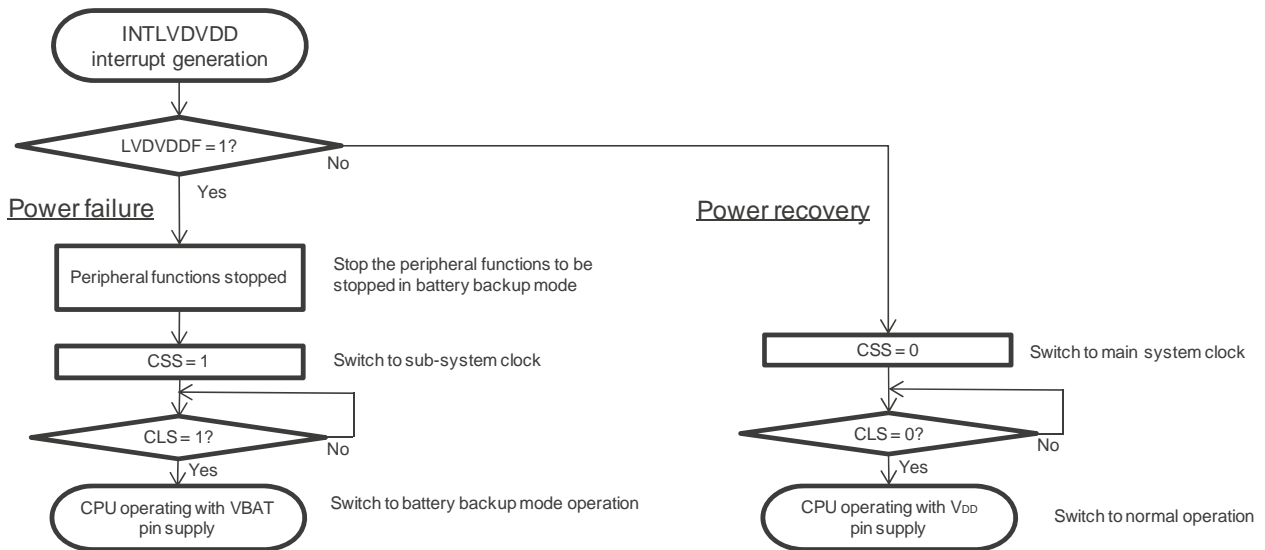


Figure 30-13. Setting Procedure for Power Supply Switching with Hardware



<3> Stopping (only independent power supply RTC operates) in battery backup mode

Figure 30-14 shows the operation when only the independent power supply RTC operates and the CPU maintains the STOP state in battery backup mode.

Power failure

Perform power failure detection by using a voltage detection interrupt (INTLVDVDD) of the V_{DD} pin, and transition to STOP mode before power supply switching by the battery backup circuit occurs.

In battery backup mode (VBAT pin supply)

Put the system in the STOP state. Clearing of STOP due to any cause other than a voltage detection interrupt (INTLVDVDD) of the V_{DD} pin is prohibited.

Power recovery

Perform power recovery detection by using a voltage detection interrupt (INTLVDVDD) of the V_{DD} pin, and clear STOP.

Caution During power recovery, make sure to keep the power supply rising slope at maximum of 0.06 V/ms.

Figure 30-14. Operation When the CPU can Maintain the STOP State in Battery Backup Mode

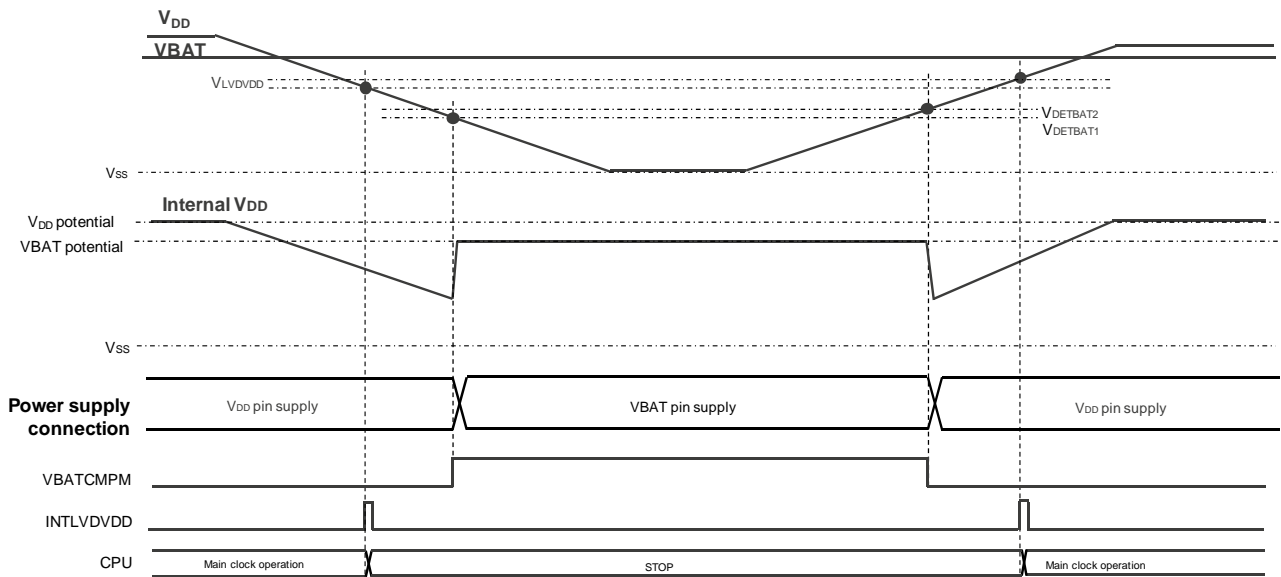
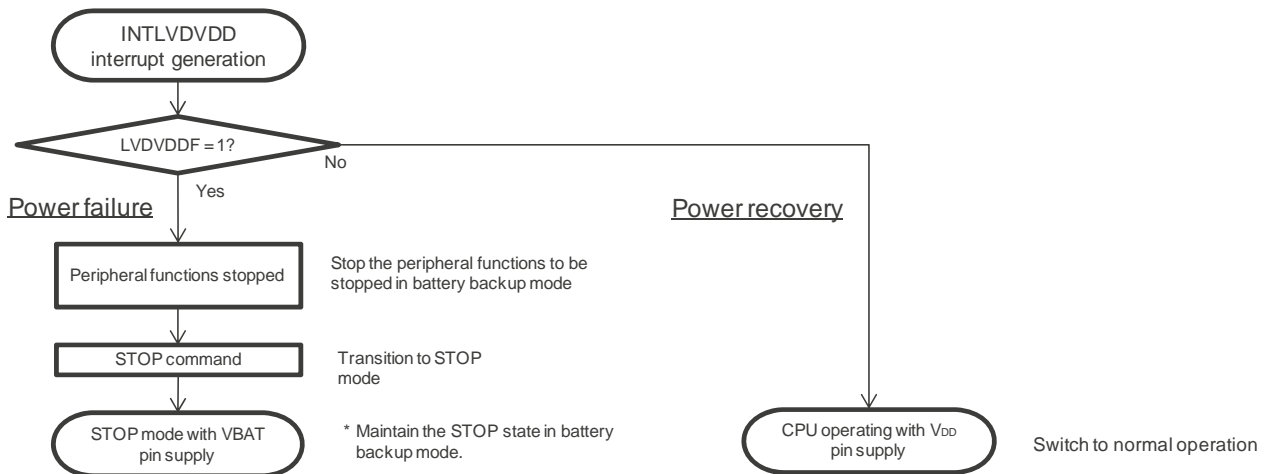


Figure 30-15. Setting Procedure When the CPU can Maintain the STOP State in Battery Backup Mode



30.4 Usage Notes

- (1) When not using the battery backup function, connect the VBAT and Vss pins to the same potential.
- (2) Setting VBATSEL = 1 is prohibited when $V_{DD} > 4.0\text{ V}$ and $VBAT < 2.4\text{ V}$, or $VBAT > 4.0\text{ V}$ and $V_{DD} < 2.4\text{ V}$.
- (3) Be sure VBAT does not drop below 1.9 V when VBATSEL = 1.
- (4) Do not set VBATEN and VBATSEL at the same time.
- (5) Do not set VBATEN to 0 while VBATSEL is 1.
- (6) For details about the power rising and falling slopes, see **CHAPTER 41 ELECTRICAL SPECIFICATIONS**.
- (7) The self-programming function cannot be used when the internal power is supplied from the VBAT pin.
- (8) When switching the power supply by hardware (VBATEN = 1, VBATSEL = 0), disable the input buffer with the GDIDIS register (GDIDIS = 01H) to prevent leak current at the EV_{DD} port pin when the power is switched to VBAT.
- (9) When switching the power supply by hardware (VBATEN = 1, VBATSEL = 0), input signal must be designed so that it does not exceed the EV_{DD} voltage because the input buffer of the EV_{DD} port pin is controlled by the EV_{DD} voltage when the power is switched to VBAT.
- (10) The I/O buffer that is driven by the internal V_{DD} power is operable in the battery backup mode. However, the internal V_{DD} voltage is lowered when the I/O outputs the large current. Therefore, extreme care must be taken when designing so that the V_{DD} I/O does not output the high-level current in the battery backup mode as much as possible.
Drive the I/O in the battery backup mode if required according to the following procedure.
 - When using the internal V_{DD} I/O, control it only by the combination of the current draw by the low-level output and the external pull-up by the Hi-Z output.
 - Connect the diode ORings of the VBAT and V_{DD} pins to the EV_{DD} pin to use EV_{DD} I/O after backing up the V_{DD} power by the backup power supply voltage that was connected to the VBAT pin when shutting down the V_{DD} power.
- (11) When VBATEN is set to 1, use of the LV mode is forbidden.
- (12) Set the product operation mode (HS/LS/LV/LP) depending on the internal V_{DD} power source setting (VBATEN and VBATSEL) and internal V_{DD} voltage status.

Internal Power Supply Voltage Source	Operating Voltage Range
V _{DD} pin	HS mode: 2.1 V to 5.5 V
	LS mode: 1.9 V to 5.5 V
	LP mode: 1.9 V to 5.5 V
	LV mode: 1.7 V to 5.5 V
VBAT pin	HS mode: 2.1 V to 5.5 V
	LS mode: 1.9 V to 5.5 V
	LP mode: 1.9 V to 5.5 V
	LV mode: Setting prohibited

- <R> (13) Before switching of the voltage supply, check and set supply voltage that is suitable for the operation mode of each product.

CHAPTER 31 OSCILLATION STOP DETECTOR

31.1 Functions of Oscillation Stop Detector

The oscillation stop detection circuit monitors the sub clock (f_{sx}) operating status with a low-speed on-chip oscillator clock (f_{il}). If it detects that operation is stopped longer than a predefined interval, it assumes that an XT1 oscillator circuit error has occurred and outputs an oscillation stop interrupt signal.

When the system is reset, operation of the oscillation stop detector must be enabled by software after the reset period ends.

Operation of the oscillation stop detector is stopped by software. Or, oscillation stop detection operation is stopped by reset from the $\overline{\text{RESET}}$ pin or internal reset due to execution of an invalid instruction^{Note}. Furthermore, after a reset, enable oscillation stop detection operation with software.

Note Occurs when instruction code for FFH is executed.

Reset due to invalid instruction does not occur during emulation with in-circuit emulator or on-chip debug emulator.

The period used by the oscillation stop detector to judge that oscillation is stopped (oscillation stop judgment time) can be set by using the OSDCCMP11 to OSDCCMP0 bits of the oscillation stop detection control register (OSDC).

Oscillation stop judgment time = Low-speed on-chip oscillator clock (f_{il}) cycle \times ((value of OSDCCMP11 to OSDCCMP0) + 1)

- OSDCCMP11 to OSDCCMP0 = 003H: 232 μs (MIN.), 267 μs (TYP.), 314 μs (MAX.)
- OSDCCMP11 to OSDCCMP0 = FFFH: 237 ms (MIN.), 273 ms (TYP.), 322 ms (MAX.)

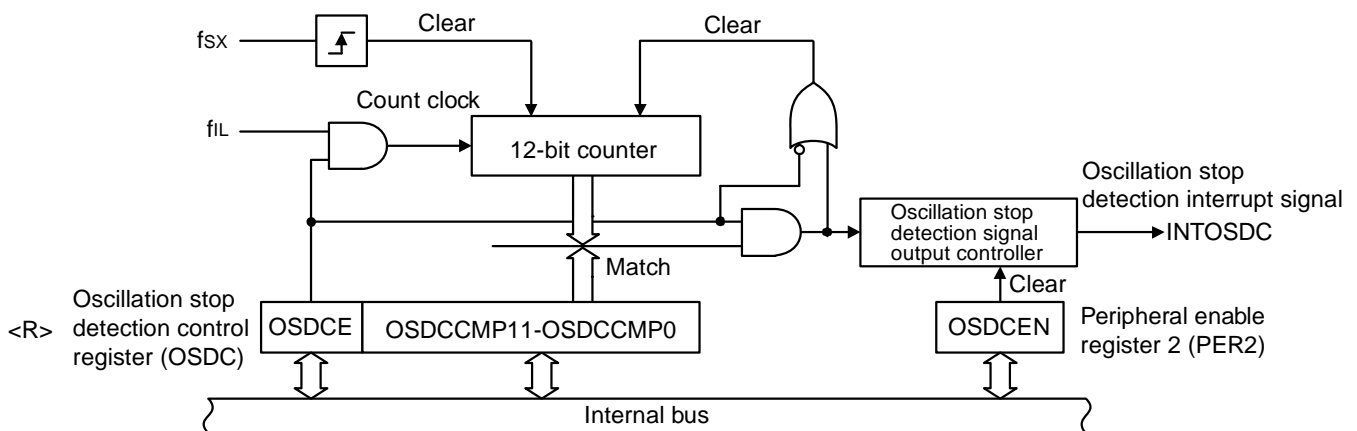
31.2 Configuration of Oscillation Stop Detector

The oscillation stop detector includes the following hardware.

Table 31-1. Configuration of Oscillation Stop Detector

Item	Configuration
Control registers	Peripheral enable register 2 (PER2) Peripheral reset control register 2 (PRR2) Subsystem clock supply option control register (OSMC) Oscillation stop detection control register (OSDC)

Figure 31-1. Block Diagram of Oscillation Stop Detector



31.3 Registers Used by Oscillation Stop Detector

31.3.1 Peripheral enable register 2 (PER2)

This register is used to enable or disable clock supply to the peripheral hardware. Use this register to stop clock supply to unused hardware to reduce power consumption and noise.

When using the oscillation stop detector, be sure to set bit 6 (OSDCEN) to 1.

The PER2 register can be set by a 1-bit or 8-bit memory manipulation instruction.

Reset signal generation clears this register to 00H.

Figure 31-2. Format of Peripheral Enable Register 2 (PER2)

Address: F00FCH After reset: 00H R/W

Symbol	<7>	<6>	5	4	3	<2>	1	<0>
PER2	TMKAEN	OSDCEN	0	0	0	MACEN	0	VRTCEN

OSDCEN	Control of oscillation stop detection circuit input clock supply
0	Stops input clock supply. <ul style="list-style-type: none"> SFR used by the oscillation stop detection circuit cannot be written. The read value is 00H. However, the SFR is not initialized. ^{Note}
1	Enables input clock supply. <ul style="list-style-type: none"> SFR used by the oscillation stop detection circuit can be read and written.

Note To initialize the oscillation stop detection circuit and the SFR used by the oscillation stop detection circuit, use bit 6 (OSDCRES) of PRR2.

- Cautions**
1. When using the oscillation stop detector, be sure to set the OSDCEN bit to 1. If OSDCEN = 0, writing to a control register of the oscillation stop detector is ignored, and, even if the register is read, only the default value is read.
 2. Be sure to set bits 5 to 3 and 1 to “0”.

31.3.2 Peripheral reset control register 2 (PRR2)

The PRR2 register is used to control resetting of the on-chip peripheral modules.

Each bit in this register controls resetting and release of the reset state of the corresponding on-chip peripheral module.

To reset the oscillation stop detection circuit, be sure to set bit 6 (OSDCRES) to 1.

The PRR0 register can be set by a 1-bit or an 8-bit memory manipulation instruction.

Reset signal generation clears this register to 00H.

Figure 31-3. Format of Peripheral Reset Control Register 2 (PRR2)

Address: F00FDH After reset: 00H R/W

Symbol	<7>	<6>	5	4	3	<2>	1	0
PRR2	TMKARES	OSDCRES	0	0	0	MACRES	0	0

OSDCRES	Control resetting of the oscillation stop detection circuit
0	Releases the oscillation stop detection circuit from the reset state.
1	The oscillation stop detection circuit is in the reset state.

31.3.3 Subsystem clock supply option control register (OSMC)

This register is used to reduce power consumption by stopping unnecessary clock functions.

If the RTCLPC bit is set to 1, power consumption can be reduced, because clock supply to the peripheral functions, <R> except the independent power supply RTC, 12-bit interval timer, 8-bit interval timer, clock output/buzzer output controller, LCD controller/driver, oscillation stop detection circuit, and frequency measurement circuit is stopped in STOP mode or HALT mode while sub clock (f_{sx}) is selected as CPU clock.

In addition, the OSMC register can be used to select the operating clock of the 12-bit interval timer, 8-bit interval timer, clock output/buzzer output controller, LCD controller/driver, and frequency measurement circuit.

<R> The OSMC register can be set by a 1-bit or 8-bit memory manipulation instruction.

Reset signal generation clears this register to 00H.

Figure 31-4. Format of Subsystem clock supply option control register (OSMC)

Address: F00F3H After reset: 00H R/W^{Note 1}

Symbol	<7>	6	5	<4>	3	2	1	0
OSMC	RTCLPC	0	0	WUTMMCK0	0	0	0	0

RTCLPC <small>Note 4</small>	Setting in STOP mode or HALT mode while sub clock (f_{sx}) is selected as CPU clock
0	Enables supply of sub clock (f_{sx}) to peripheral functions (See Tables 26-1 to 26-3 for peripheral functions whose operations are enabled.)
1	Stops supply of sub clock (f_{sx}) to peripheral functions other than the independent power supply RTC, 12-bit interval timer, 8-bit interval timer, clock output/buzzer output controller, LCD controller/driver, oscillation stop detection circuit, and frequency measurement circuit.

WUTMMCK0	Selection of the operating clock for the 12-bit interval timer, 8-bit interval timer, LCD controller/driver, and frequency measurement circuit	Selection of the count operation/stop trigger clock for the frequency measurement circuit	Selection of the output clock for the clock output/buzzer output controller
0	Sub clock (f_{sx})	Sub clock (f_{sx}) selected.	Sub clock (f_{sx})
1	Low-speed on-chip oscillator clock (f_{il}) <small>Notes 2, 3, 6, 7</small>	Low-speed on-chip oscillator clock (f_{il}) selected <small>Note 6</small>	Clock output is prohibited. <small>Note 5</small>

- Notes 1.** Be sure to set bits 0 to 3, 5, and 6 to 0.
- Do not set the WUTMMCK0 bit to 1 while the sub clock (f_{sx}) is oscillating.
 - Switching between the sub clock (f_{sx}) and the low-speed on-chip oscillator clock (f_{il}) can be enabled by the WUTMMCK0 bit only when all of the 12-bit interval timer, 8-bit interval timer, clock output/buzzer output controller, LCD controller/driver, and frequency measurement circuit are stopped.
 - When the sub clock (f_{sx}) is selected (SELLOSC = 0) by bit 0 (SELLOSC) of the CKSEL register and RTCLPC is set to 1, the subsystem clock (f_{SUB}) is stopped. However, when the low-speed on-chip oscillator clock is selected (SELLOSC = 1) and RTCLPC is set to 1, the subsystem clock (f_{SUB}) is not stopped.
 - When the WUTMMCK0 bit is set to 1, clock output from the PCLBUZn pin is prohibited.
 - When the WUTMMCK0 bit is set to 1, the low-speed on-chip oscillator clock (f_{il}) oscillates.
 - When the WUTMMCK0 bit is set to 1, internal voltage boosting cannot be used for the LCD drive voltage generator of the LCD controller/driver.

31.3.4 Oscillation stop detection control register (OSDC)

This register is used to control the oscillation stop detector. Use this register to start and stop operation of the oscillation stop detector. This register can also be used to specify the oscillation stop judgment time.

Operation of the oscillation stop detector cannot be started while the OSDCE bit is 0.

The OSDC register can be set by a 16-bit memory manipulation instruction.

Reset signal generation clears this register to 0FFFH.

Figure 31-5. Format of Oscillation Stop Detection Control Register (OSDC)

Address: F02D0H After reset: 0FFFH R/W

Symbol	15	14	13	12	11	10	9	8
OSDC	OSDCE	0	0	0	OSDCCMP 11	OSDCCMP 10	OSDCCMP 9	OSDCCMP 8

Symbol	7	6	5	4	3	2	1	0
OSDC	OSDCCMP 7	OSDCCMP 6	OSDCCMP 5	OSDCCMP 4	OSDCCMP 3	OSDCCMP 2	OSDCCMP 1	OSDCCMP 0

OSDCE	Control of oscillation stop detector operation
0	Stop operation of the oscillation stop detector.
1	Start operation of the oscillation stop detector.

OSDCCMP11 to OSDCCMP0	Oscillation stop judgment time
000H ... 002H	Setting prohibited
003H ... FFFH	These bits specify the oscillation stop judgment time. It is judged that oscillation has stopped when oscillation has been stopped for (A-2) to (A+1) clock cycles, where A refers to the time specified by these bits. Oscillation stop judgment time = Low-speed on-chip oscillator clock (f _{IL}) cycle × ((value of OSDCCMP11 to OSDCCMP0) + 1)

- Cautions**
1. Be sure to set the OSDCE bit to “0” (to stop operation of the oscillation stop detector) before changing the setting of the OSDCCMP11 to OSDCCMP0 bits.
 2. The oscillation stop detector stops oscillation stop detection by setting the OSDCE bit to 0 by software or by reset from the RESET pin or internal reset due to execution of an invalid instruction^{Note}.
Furthermore, since the oscillation of XT1 oscillator clock is also stopped with an internal reset, after a reset, enable oscillation stop detection operation after resuming oscillation of the XT1 oscillation clock with software.
 3. Be sure to set bits 14 to 12 to “0”.

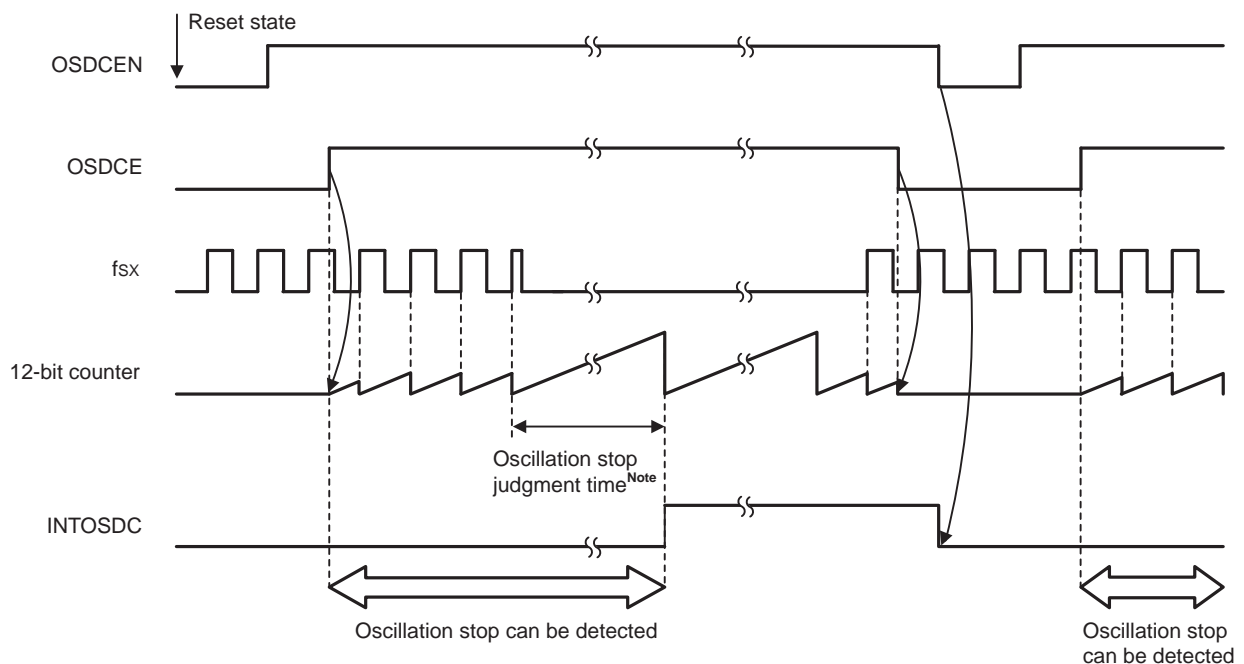
Note Occurs when instruction code for FFH is executed.
Reset due to invalid instruction does not occur during emulation with in-circuit emulator or on-chip debug emulator.

31.4 Operation of Oscillation Stop Detector

31.4.1 How the oscillation stop detector operates

1. The sub clock (f_{sx}) starts operating after the external reset ends.
2. A value is written to the oscillation stop detection control register (OSDC) and the oscillation stop detector starts operating.
3. While the oscillation stop detector is operating, if the sub clock (f_{sx}) stops oscillating continuously for a period equal to the oscillation stop judgment time or longer, the oscillation stop detector outputs the oscillation stop detection interrupt signal (INTOSDC).

Figure 31-6. Timing of Oscillation Stop Detection by Oscillation Stop Detector



Note It is judged that oscillation has stopped when oscillation has been stopped for (A-2) to (A+1) clock cycles, where A refers to the time specified by these bits.

31.5 Cautions on Using the Oscillation Stop Detector

The oscillation stop detector should be used in conjunction with the watchdog timer.

Oscillation stop detection can be used under either of the following conditions:

- When bit 0 (WDSTBYON) and bit 4 (WDTON) of the option byte (000C0H) are set to 1 and bit 4 (WUTMMCK0) of the OSMC register is set to 0
- When bit 4 (WUTMMCK0) of the OSMC register is set to 1

CHAPTER 32 SAFETY FUNCTIONS

32.1 Overview of Safety Functions

The following safety functions are provided in the RL78/I1C to comply with the IEC60730 and IEC61508 safety standards.

These functions enable the microcontroller to self-diagnose abnormalities and stop operating if an abnormality is detected.

(1) Flash memory CRC operation function (high-speed CRC, general-purpose CRC)

This detects data errors in the flash memory by performing CRC operations.

Two CRC functions are provided in the RL78/I1C that can be used according to the application or purpose of use.

- High-speed CRC: The CPU can be stopped and a high-speed check executed on its entire code flash memory area during the initialization routine.
- General CRC: This can be used for checking various data in addition to the code flash memory area while the CPU is running.

(2) RAM parity error detection function

This detects parity errors when the RAM is read as data.

(3) RAM guard function

This prevents RAM data from being rewritten when the CPU freezes.

(4) SFR guard function

This prevents SFRs from being rewritten when the CPU freezes.

(5) Invalid memory access detection function

This detects illegal accesses to invalid memory areas (such as areas where no memory is allocated and areas to which access is restricted).

(6) Frequency detection function

This function allows a self-check of the CPU/peripheral hardware clock frequencies using the timer array unit.

(7) A/D test function

This is used to perform a self-check of the A/D converter by performing A/D conversion of the A/D converter's positive and negative reference voltages, analog input channel (ANI), temperature sensor output voltage, and internal reference voltage.

(8) Digital output signal level detection function for I/O pins

When the I/O pins are output mode, the output level of the pin can be read.

Remark For usage examples of the safety functions complying with the IEC60730 safety standards, refer to the **RL78 MCU series IEC60730/60335 self test library application note (R01AN1062, R01AN1296)**.

32.2 Registers Used by Safety Functions

The safety functions use the following registers for each function.

Register	Each Function of Safety Function
<ul style="list-style-type: none"> Flash memory CRC control register (CRC0CTL) Flash memory CRC operation result register (PGCRCL) 	Flash memory CRC operation function (high-speed CRC)
<ul style="list-style-type: none"> CRC input register (CRCIN) CRC data register (CRCD) 	CRC operation function (general-purpose CRC)
<ul style="list-style-type: none"> RAM parity error control register (RPECTL) 	RAM parity error detection function
<ul style="list-style-type: none"> Invalid memory access detection control register (IAWCTL) 	RAM guard function
	SFR guard function
	Invalid memory access detection function
<ul style="list-style-type: none"> Timer input select register 0 (TIS0) 	Frequency detection function
<ul style="list-style-type: none"> A/D test register (ADTES) 	A/D test function
<ul style="list-style-type: none"> Port mode select register (PMS) 	Digital output signal level detection function for I/O ports

The content of each register is described in **32.3 Operation of Safety Functions**.

32.3 Operation of Safety Functions

32.3.1 Flash memory CRC operation function (high-speed CRC)

The IEC60730 standard mandates the checking of data in the flash memory, and recommends using CRC to do it. The high-speed CRC provided in the RL78/I1C can be used to check the entire code flash memory area during the initialization routine. The high-speed CRC can be executed only when the program is allocated on the RAM and in the HALT mode of the main system clock.

The high-speed CRC performs an operation by reading 32-bit data per clock from the flash memory while stopping the CPU. This function therefore can finish a check in a shorter time (for example, 341 μ s@24 MHz with 32 KB flash memory).

The CRC generator polynomial used complies with " $X^{16} + X^{12} + X^5 + 1$ " of CRC-16-CCITT.

The high-speed CRC operates in MSB first order from bit 31 to bit 0.

Caution The CRC operation result might differ during on-chip debugging because the monitor program is allocated.

Remark The operation result is different between the high-speed CRC and the general CRC, because the general CRC operates in LSB first order.

32.3.1.1 Flash memory CRC control register (CRC0CTL)

This register is used to control the operation of the high-speed CRC ALU, as well as to specify the operation range. The CRC0CTL register can be set by a 1-bit or 8-bit memory manipulation instruction. Reset signal generation clears this register to 00H.

Figure 32-1. Format of Flash Memory CRC Control Register (CRC0CTL)

Address: F02F0H After reset: 00H R/W

Symbol	<7>	6	5	4	3	2	1	0
CRC0CTL	CRC0EN	0	0	0	FEA3 ^{Note 1}	FEA2 ^{Note 2}	FEA1	FEA0

CRC0EN	Control of CRC ALU operation
0	Stop the operation.
1	Start the operation according to HALT instruction execution.

FEA3 ^{Note 1}	FEA2 ^{Note 2}	FEA1	FEA0	High-speed CRC operation range
0	0	0	0	0000H to 3FFBH (16 K-4 bytes)
0	0	0	1	0000H to 7FFBH (32 K-4 bytes)
0	0	1	0	0000H to BFFBH (48 K-4 bytes)
0	0	1	1	0000H to FFFBH (64 K-4 bytes)
0	1	0	0	00000H to 13FFBH (80 K-4 bytes)
0	1	0	1	00000H to 17FFBH (96 K-4 bytes)
0	1	1	0	00000H to 1BFFBH (112 K-4 bytes)
0	1	1	1	00000H to 1FFFBH (128 K-4 bytes)
1	0	0	0	00000H to 23FFBH (144 K-4 bytes)
1	0	0	1	00000H to 27FFBH (160 K-4 bytes)
1	0	1	0	00000H to 2BFFBH (176 K-4 bytes)
1	0	1	1	00000H to 2FFFBH (192 K-4 bytes)
1	1	0	0	00000H to 33FFBH (208 K-4 bytes)
1	1	0	1	00000H to 37FFBH (224 K-4 bytes)
1	1	1	0	00000H to 3BFFBH (240 K-4 bytes)
1	1	1	1	00000H to 3FFFBH (256 K-4 bytes)

- <R> **Notes**
- For R5F10NMG, R5F10NLG, R5F10NME, and R5F10NLE be sure to set the FEA3 bit to 0.
 - For products with 64 Kbytes of code flash memory (R5F10NME, R5F10NLE), be sure to set the FEA2 bit to 0.

Remark Input the expected CRC operation result value to be used for comparison in the lowest 4 bytes of the flash memory. Note that the operation range will thereby be reduced by 4 bytes.

32.3.1.2 Flash memory CRC operation result register (PGCRCL)

This register is used to store the high-speed CRC operation results.

The PGCRCL register can be set by a 16-bit memory manipulation instruction.

Reset signal generation clears this register to 0000H.

Figure 32-2. Format of Flash Memory CRC Operation Result Register (PGCRCL)

Address: F02F2H After reset: 0000H R/W

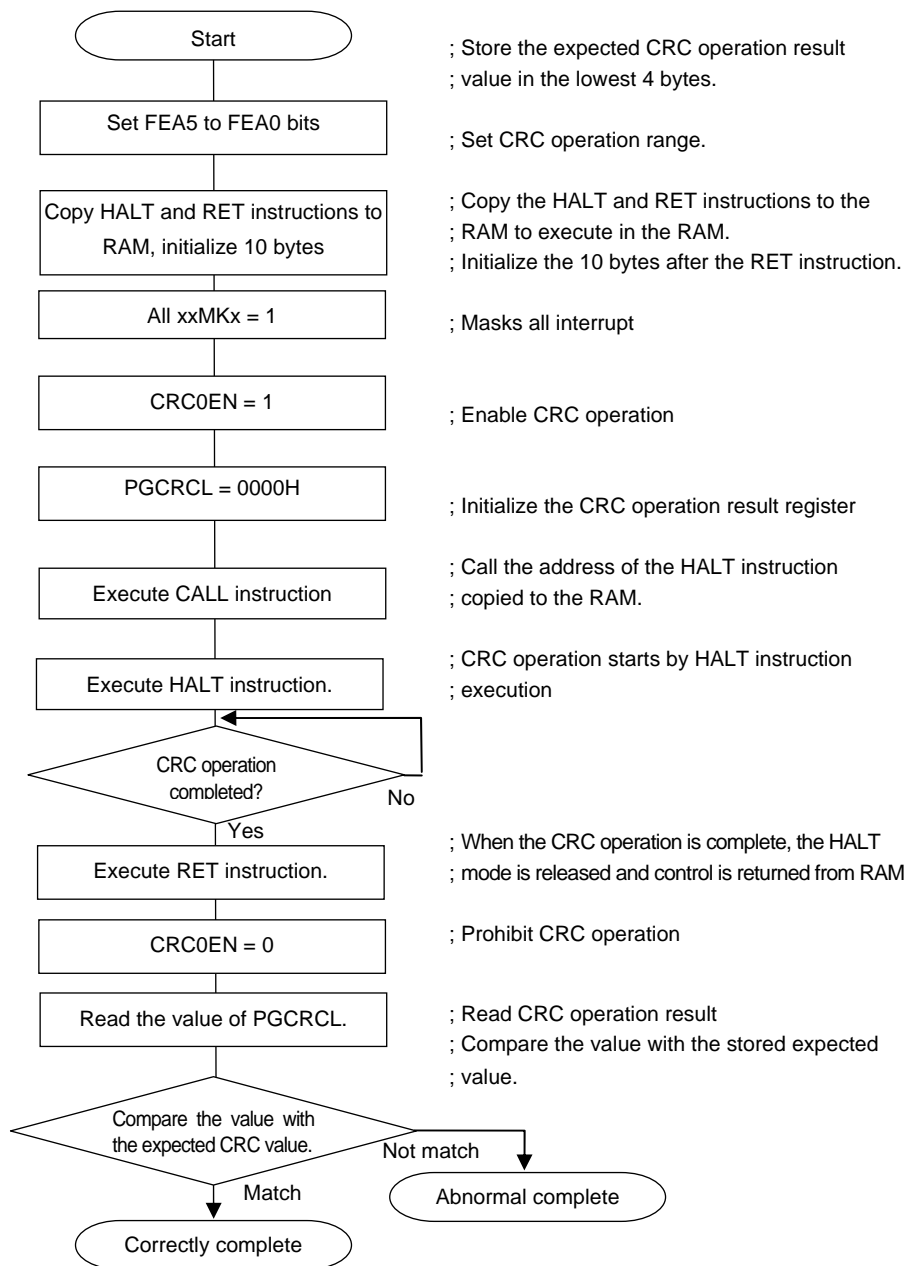
Symbol	15	14	13	12	11	10	9	8
PGCRCL	PGCRC15	PGCRC14	PGCRC13	PGCRC12	PGCRC11	PGCRC10	PGCRC9	PGCRC8
	7	6	5	4	3	2	1	0
	PGCRC7	PGCRC6	PGCRC5	PGCRC4	PGCRC3	PGCRC2	PGCRC1	PGCRC0
	PGCRC15 to 0		High-speed CRC operation results					
	0000H to FFFFH		Store the high-speed CRC operation results.					

Caution The PGCRCL register can only be written if CRC0EN (bit 7 of the CRC0CTL register) = 1.

Figure 32-3 shows the flowchart of flash memory CRC operation function (high-speed CRC).

<Operation flow>

Figure 32-3. Flowchart of Flash Memory CRC Operation Function (High-speed CRC)



- Cautions 1. The CRC operation is executed only on the code flash.**
2. Store the expected CRC operation value in the area below the operation range in the code flash.
3. The CRC operation is enabled by executing the HALT instruction in the RAM area.
Be sure to execute the HALT instruction in RAM area.

The expected CRC value can be calculated by using the Integrated Development Environment CubeSuite+. See the Integrated Development Environment CubeSuite+ user's manual for details.

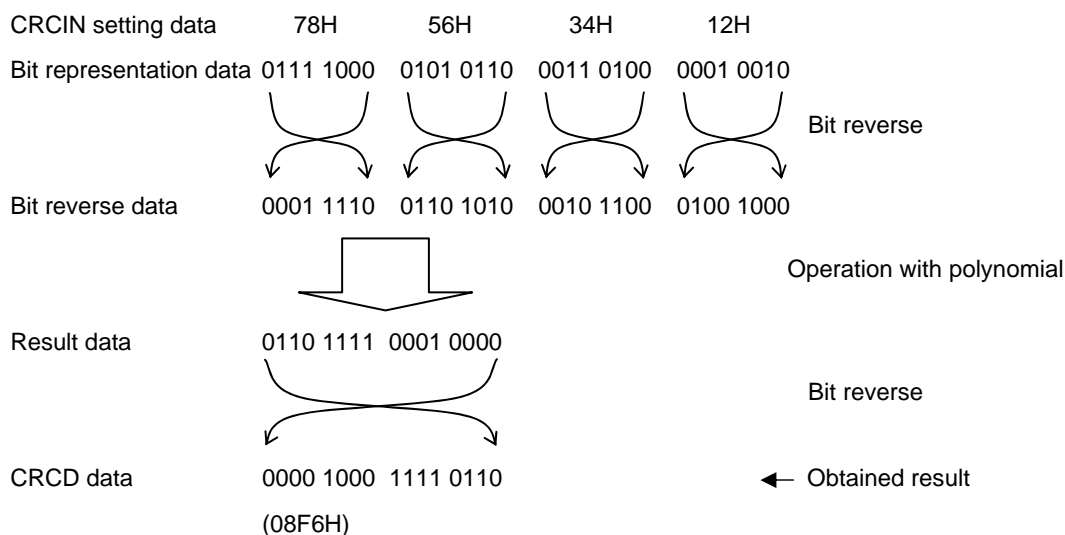
32.3.2 CRC operation function (general-purpose CRC)

In order to guarantee safety during operation, the IEC61508 standard mandates the checking of data even while the CPU is operating.

In the RL78/I1C, a general CRC operation can be executed as a peripheral function while the CPU is operating. The general CRC can be used for checking various data in addition to the code flash memory area. The data to be checked can be specified by using software (a user-created program). CRC calculation function in the HALT mode can be used only during the DTC transmission.

The general CRC operation can be executed in the main system clock operation mode as well as the subsystem clock operation mode.

The CRC generator polynomial used is “ $X^{16} + X^{12} + X^5 + 1$ ” of CRC-16-CCITT. The data to be input is inverted in bit order and then calculated to allow for LSB-first communication. For example, if the data 12345678H is sent from the LSB, values are written to the CRCIN register in the order of 78H, 56H, 34H, and 12H, enabling a value of 08F6H to be obtained from the CRCD register. This is the result obtained by executing a CRC operation on the bit rows shown below, which consist of the data 12345678H inverted in bit order.



Caution Because the debugger rewrites the software break setting line to a break instruction during program execution, the CRC operation result differs if a software break is set in the CRC operation target area.

32.3.2.1 CRC input register (CRCIN)

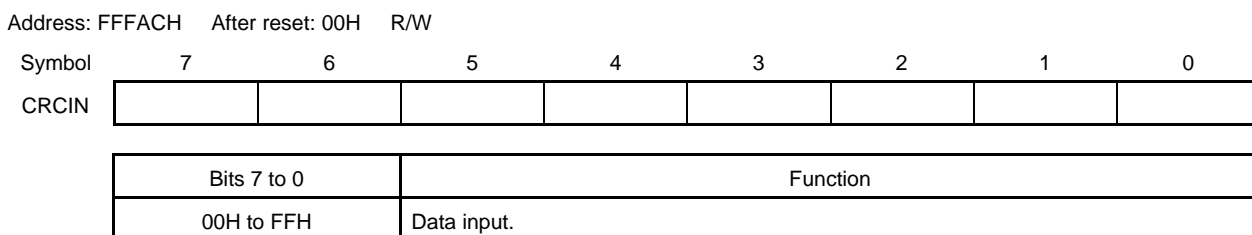
CRCIN register is an 8-bit register that is used to set the CRC operation data of general-purpose CRC.

The possible setting range is 00H to FFH.

The CRCIN register can be set by an 8-bit memory manipulation instruction.

Reset signal generation clears this register to 00H.

Figure 32-4. Format of CRC Input Register (CRCIN)



32.3.2.2 CRC data register (CRCD)

This register is used to store the CRC operation result of the general-purpose CRC.

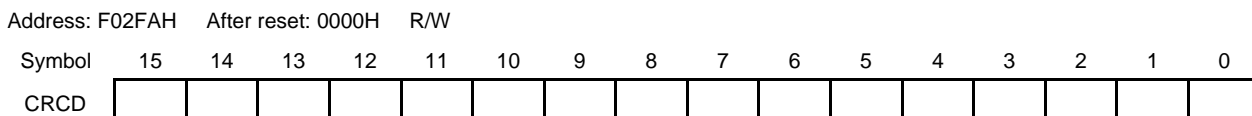
The setting range is 0000H to FFFFH.

After 1 clock of CPU/peripheral hardware clock (f_{CLK}) has elapsed from the time CRCIN register is written, the CRC operation result is stored to the CRCD register.

The CRCD register can be set by a 16-bit memory manipulation instruction.

Reset signal generation clears this register to 0000H.

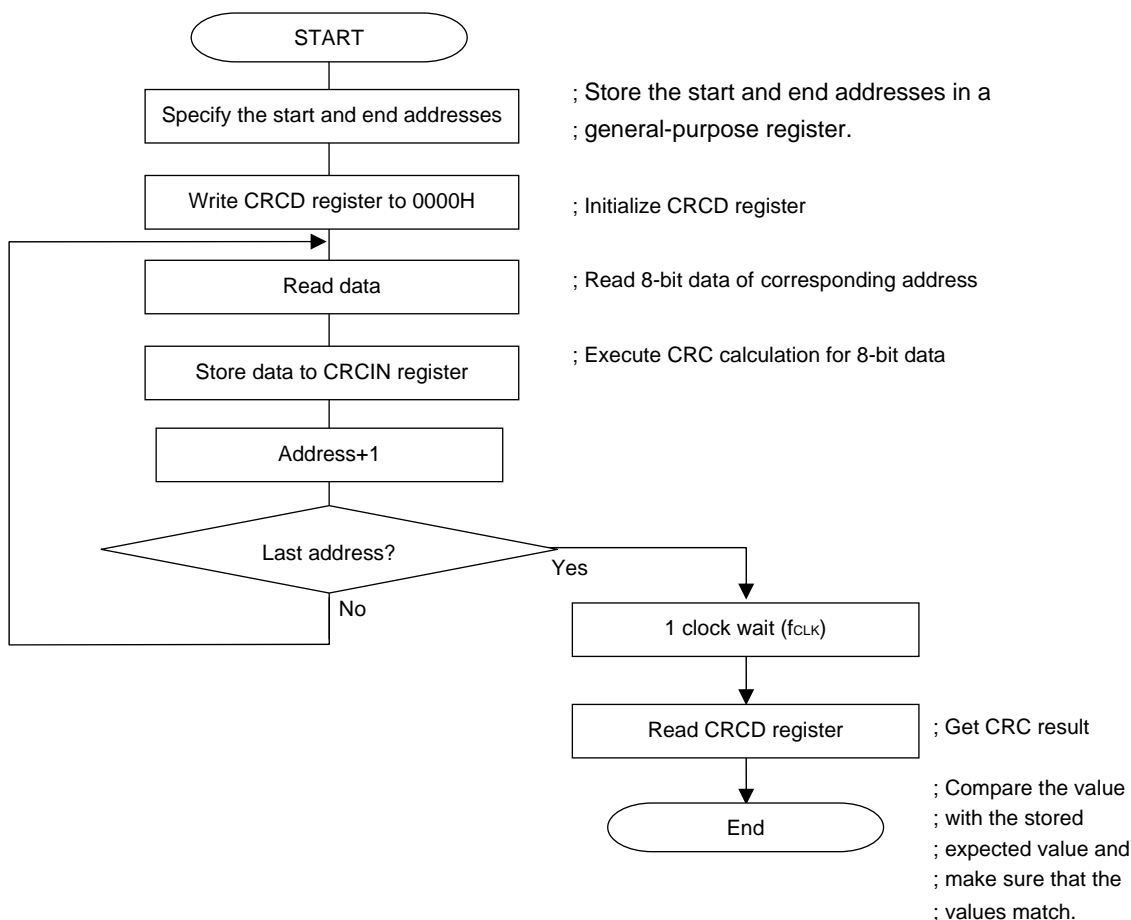
Figure 32-5. Format of CRC Data Register (CRCD)



- Cautions**
1. Read the value written to CRCD register before writing to CRCIN register.
 2. If conflict between writing and storing operation result to CRCD register occurs, the writing is ignored.

<Operation flow>

Figure 32-6. CRC Operation Function (General-purpose CRC)



32.3.3 RAM parity error detection function

The IEC60730 standard mandates the checking of RAM data. A single-bit parity bit is therefore added to all 8-bit data in the RL78/I1C's RAM. By using this RAM parity error detection function, the parity bit is appended when data is written, and the parity is checked when the data is read. This function can also be used to trigger a reset when a parity error occurs.

32.3.3.1 RAM parity error control register (RPECTL)

This register is used to control parity error generation check bit and reset generation due to parity errors.

The RPECTL register can be set by a 1-bit or 8-bit memory manipulation instruction.

Reset signal generation clears this register to 00H.

Figure 32-7. Format of RAM Parity Error Control Register (RPECTL)

Address: F00F5H After reset: 00H R/W

Symbol	<7>	6	5	4	3	2	1	<0>
RPECTL	RPERDIS	0	0	0	0	0	0	RPEF

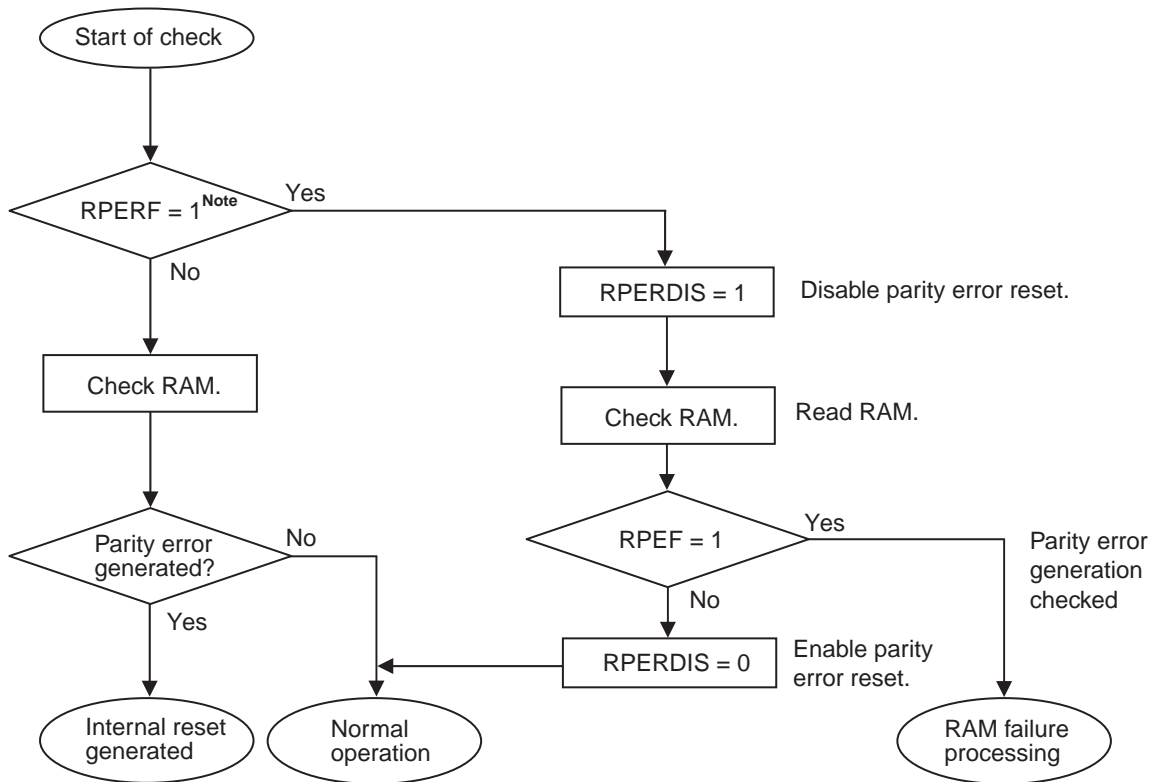
RPERDIS	Parity error reset mask flag
0	Enable parity error resets.
1	Disable parity error resets.

RPEF	Parity error status flag
0	No parity error has occurred.
1	A parity error has occurred.

Caution The parity bit is appended when data is written, and the parity is checked when the data is read. Therefore, while RAM parity error resets are enabled (RPERDIS = 0), be sure to initialize RAM areas where data access is to proceed before reading data. The RL78's CPU executes look-ahead due to the pipeline operation, the CPU might read an uninitialized RAM area that is allocated beyond the RAM used, which causes a RAM parity error. Therefore, while RAM parity error resets are enabled (RPERDIS = 0), be sure to initialize the RAM area + 10 bytes when instructions are fetched from RAM areas.

- Remarks**
1. The parity error reset is enabled by default (RPERDIS = 0).
 2. Even if the parity error reset is disabled (RPERDIS = 1), the RPEF flag will be set (1) if a parity error occurs. If parity error resets are enabled (RPERDIS = 0) with RPEF set to 1, a parity error reset is generated when the RPERDIS bit is cleared to 0.
 3. The RPEF flag in the RPECTL register is set (1) when the RAM parity error occurs and cleared (0) by writing 0 to it or by any reset source. When RPEF = 1, the value is retained even if RAM for which no parity error has occurred is read.
 4. The general registers are not included for RAM parity error detection.

Figure 32-8. Flowchart of RAM Parity Check



Note To check internal reset status using a RAM parity error, see **CHAPTER 27 RESET FUNCTION**.

32.3.4 RAM guard function

In order to guarantee safety during operation, the IEC61508 standard mandates that important data stored in the RAM be protected, even if the CPU freezes.

This RAM guard function is used to protect data in the specified memory space.

If the RAM guard function is specified, writing to the specified RAM space is disabled, but reading from the space can be carried out as usual.

32.3.4.1 Invalid memory access detection control register (IAWCTL)

This register is used to control the detection of invalid memory access and RAM/SFR guard function.

GRAM1 and GRAM0 bits are used in RAM guard function.

The IAWCTL register can be set by an 8-bit memory manipulation instruction.

Reset signal generation clears this register to 00H.

Figure 32-9. Format of Invalid Memory Access Detection Control Register (IAWCTL)

Address: F0078H After reset: 00H R/W

Symbol	7	6	5	4	3	2	1	0
IAWCTL	IAWEN	0	GRAM1	GRAM0	0	GPORT	GINT	GCSC

GRAM1	GRAM0	RAM guard space ^{Note}
0	0	Disabled. RAM can be written to.
0	1	The 128 bytes of space starting at the start address in the RAM
1	0	The 256 bytes of space starting at the start address in the RAM
1	1	The 512 bytes of space starting at the start address in the RAM

Note The RAM start address differs depending on the size of the RAM provided with the product.

32.3.5 SFR guard function

In order to guarantee safety during operation, the IEC61508 standard mandates that important SFRs be protected from being overwritten, even if the CPU freezes.

This SFR guard function is used to protect data in the control registers used by the port function, interrupt function, clock control function, voltage detection function, and RAM parity error detection function.

If the SFR guard function is specified, writing to the specified SFRs is disabled, but reading from the SFRs can be carried out as usual.

32.3.5.1 Invalid memory access detection control register (IAWCTL)

This register is used to control the detection of invalid memory access and RAM/SFR guard function.

GPORT, GINT and GCSC bits are used in SFR guard function.

The IAWCTL register can be set by an 8-bit memory manipulation instruction.

Reset signal generation clears this register to 00H.

Figure 32-10. Format of Invalid Memory Access Detection Control Register (IAWCTL)

Address: F0078H After reset: 00H R/W

Symbol	7	6	5	4	3	2	1	0
IAWCTL	IAWEN	0	GRAM1	GRAM0	0	GPORT	GINT	GCSC

GPORT	Control registers of port function guard
0	Disabled. Control registers of port function can be read or written to.
1	Enabled. Writing to control registers of port function is disabled. Reading is enabled. [Guarded SFR] PMxx, PUxx, PIMxx, POMxx, ADPC, PIOR, PFSEGxx, ISCLCD ^{Note}

GINT	Registers of interrupt function guard
0	Disabled. Registers of interrupt function can be read or written to.
1	Enabled. Writing to registers of interrupt function is disabled. Reading is enabled. [Guarded SFR] IFxx, MKxx, PRxx, EGPx, EGNx

GCSC	Control registers of clock control function, voltage detector and RAM parity error detection function guard
0	Disabled. Control registers of clock control function, voltage detector and RAM parity error detection function can be read or written to.
1	Enabled. Writing to control registers of clock control function, voltage detector and RAM parity error detection function is disabled. Reading is enabled. [Guarded SFR] CMC, CSC, OSTs, CKC, PERx, OSMC, LVIM, LVIS, RPECTL, PRRx (x = 0, 1), PMMC, MOCODIV, FMCKS, DSCCTL, MCKC

<R>

Note Pxx (Port register) is not guarded.

32.3.6 Invalid memory access detection function

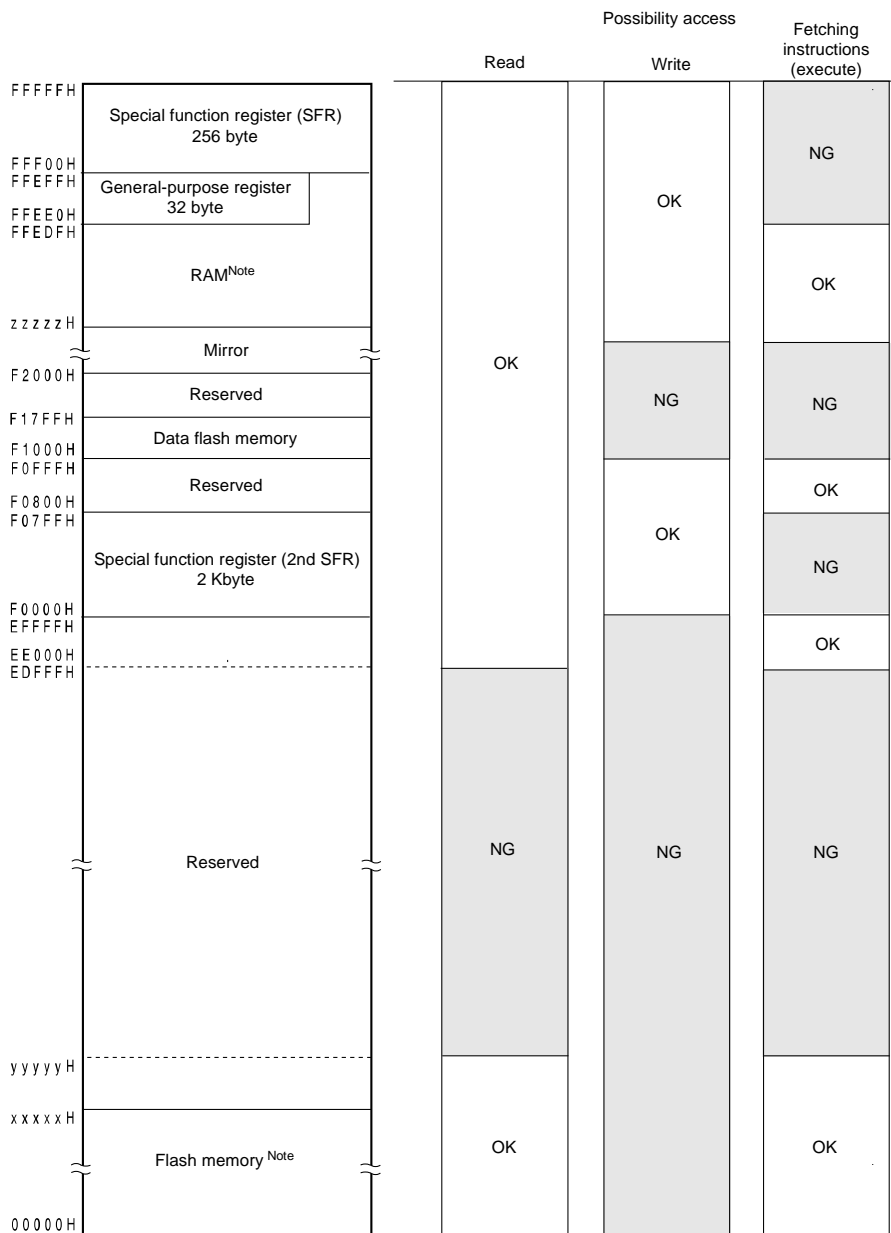
The IEC60730 standard mandates checking that the CPU and interrupts are operating correctly.

The illegal memory access detection function triggers a reset if a memory space specified as access-prohibited is accessed.

The illegal memory access detection function applies to the areas indicated by NG in Figure 32-11.

<R>

Figure 32-11. Invalid access detection area



Note Code flash memory and RAM address of each product are as follows.

Products	Code flash memory (00000H to xxxxxH)	RAM (zzzzzH to FFEFFH)	Detected lowest address for read/instruction fetch (execution) (yyyyyH)
R5F10NME, R5F10NLE	65536 × 8 bits (00000H to 0FFFFH)	6144 × 8 bits (FE700H to FFEFFH)	10000H
<R> R5F10NPG, R5F10NMG, R5F10NLG	131072 × 8 bits (00000H to 1FFFFH)	8192 × 8 bits (FDF00H to FFEFFH)	20000H
<R> R5F10NMJ, R5F10NPJ	262144 × 8 bits (00000H to 3FFFFH)	16384 × 8 bits (FBF00H to FFEFFH)	40000H

32.3.6.1 Invalid memory access detection control register (IAWCTL)

This register is used to control the detection of invalid memory access and RAM/SFR guard function.

IAWEN bit is used in invalid memory access detection function.

The IAWCTL register can be set by an 8-bit memory manipulation instruction.

Reset signal generation clears this register to 00H.

Figure 32-12. Format of Invalid Memory Access Detection Control Register (IAWCTL)

Address: F0078H After reset: 00H R/W

Symbol	7	6	5	4	3	2	1	0
IAWCTL	IAWEN	0	GRAM1	GRAM0	0	GPORT	GINT	GCSC

IAWEN ^{Note}	Control of invalid memory access detection
0	Disable the detection of invalid memory access.
1	Enable the detection of invalid memory access.

Note Only writing 1 to the IAWEN bit is enabled, not writing 0 to it after setting it to 1.

Remark By specifying WDTON = 1 (watchdog timer operation enable) for the option byte (000C0H), the invalid memory access function is enabled even IAWEN = 0.

32.3.7 Frequency detection function

The IEC60730 standard mandates checking that the oscillation frequency is correct.

By using the CPU/peripheral hardware clock frequency (f_{CLK}) and measuring the pulse width of the input signal to channel 5 of the timer array unit 0 (TAU0), whether the proportional relationship between the two clock frequencies is correct can be determined. Note that, however, if one or both clock operations are stopped, the proportional relationship between the clocks cannot be determined.

<Clocks to be compared>

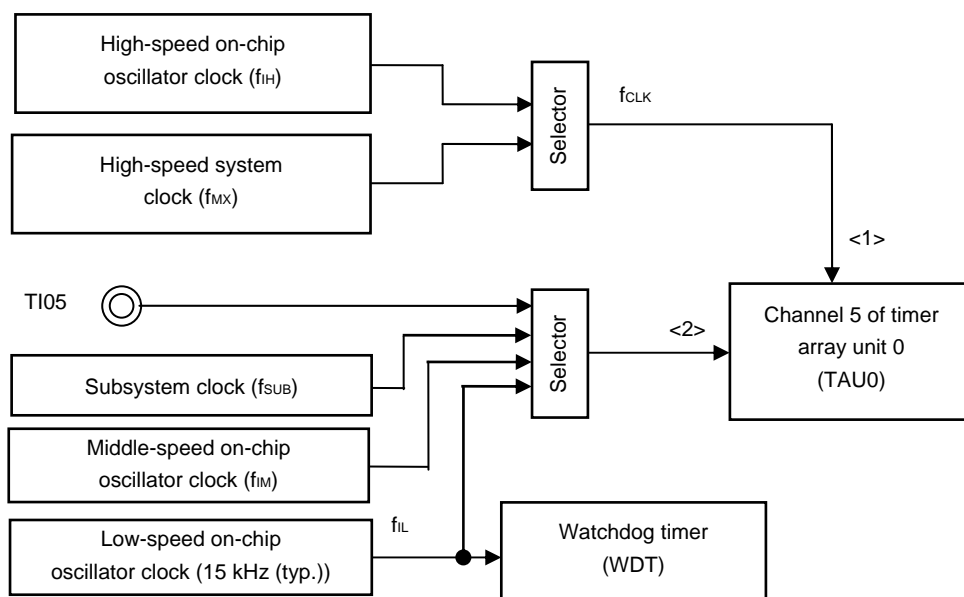
<1> CPU/peripheral hardware clock frequency (f_{CLK}):

- High-speed on-chip oscillator clock (f_{IH})
- High-speed system clock (f_{MX})

<2> Input to channel 5 of the timer array unit

- Timer input to channel 5 (TI05)
- Low-speed on-chip oscillator clock (f_{IL} : 15 kHz (typ.))
- Middle-speed on-chip oscillator clock (f_{IM})
- Subsystem clock (f_{SUB})

Figure 32-13. Configuration of Frequency Detection Function



If input pulse interval measurement results in an abnormal value, it can be concluded that the clock frequency is abnormal.

For how to execute input pulse interval measurement, see **8.8.3 Operation as input pulse interval measurement**.

32.3.7.1 Timer input select register 0 (TIS0)

The TIS0 register is used to select the timer input of channels 0, 1, 5, 6, and 7 of the timer array unit 0 (TAU0).

The TIS0 register can be set by an 8-bit memory manipulation instruction.

Reset signal generation clears this register to 00H.

Figure 32-14. Format of Timer Input Select Register 0 (TIS0)

Address: F0074H After reset: 00H R/W

Symbol	7	6	5	4	3	2	1	0
TIS0	TIS07	TIS06	TIS05	TIS04	TIS03	TIS02	TIS01	TIS00

TIS02	TIS01	TIS00	Selection of timer input used with channel 5
0	0	0	Input signal of timer input pin (TI05)
0	0	1	Event input signal from ELC
0	1	0	Input signal of timer input pin (TI05)
0	1	1	Middle-speed on-chip oscillator clock (f_{IM})
1	0	0	Low-speed on-chip oscillator clock (f_{IL})
1	0	1	Subsystem clock (f_{SUB})
Other than above			Setting prohibited

32.3.8 A/D test function

The IEC60730 standard mandates testing the A/D converter. The A/D test function checks whether or not the A/D converter is operating normally by executing A/D conversions of the A/D converter's positive and negative reference voltages, analog input channel (ANI), temperature sensor output voltage, and the internal reference voltage. For details of the check method, see the safety function (A/D test) application note (R01AN0955).

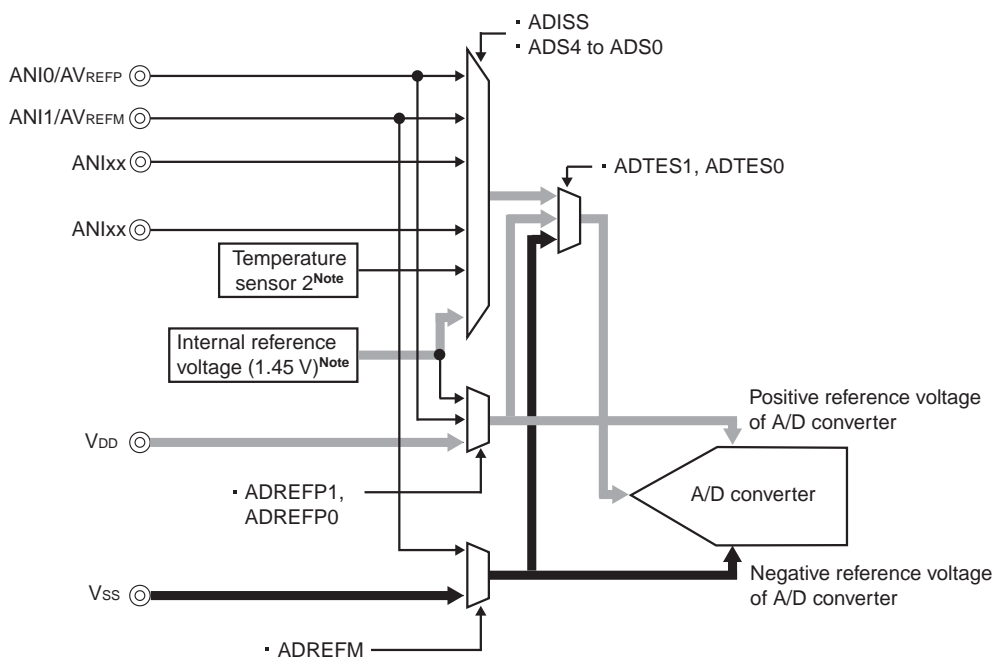
The analog multiplexer can be checked using the following procedure.

- <1> Select the ANIx pin for A/D conversion using the ADTES register (ADTES1 = 0, ADTES0 = 0).
- <2> Perform A/D conversion for the ANIx pin (conversion result 1-1).
- <3> Select the A/D converter's negative reference voltage for A/D conversion using the ADTES register (ADTES1 = 1, ADTES0 = 0)
- <4> Perform A/D conversion of the negative reference voltage of the A/D converter (conversion result 2-1).
- <5> Select the ANIx pin for A/D conversion using the ADTES register (ADTES1 = 0, ADTES0 = 0).
- <6> Perform A/D conversion for the ANIx pin (conversion result 1-2).
- <7> Select the A/D converter's positive reference voltage for A/D conversion using the ADTES register (ADTES1 = 1, ADTES0 = 1)
- <8> Perform A/D conversion of the positive reference voltage of the A/D converter (conversion result 2-2).
- <9> Select the ANIx pin for A/D conversion using the ADTES register (ADTES1 = 0, ADTES0 = 0).
- <10> Perform A/D conversion for the ANIx pin (conversion result 1-3).
- <11> Check that the conversion results 1-1, 1-2, and 1-3 are equal.
- <12> Check that the A/D conversion result 2-1 is all zero and conversion result 2-2 is all one.

Using the procedure above can confirm that the analog multiplexer is selected and all wiring is connected.

- Remarks 1.** If the analog input voltage is variable during A/D conversion in steps <1> to <10> above, use another method to check the analog multiplexer.
- 2.** The conversion results might contain an error. Consider an appropriate level of error when comparing the conversion results.

Figure 32-15. Configuration of A/D Test Function



Note This setting can be used only in HS (high-speed main) mode.

32.3.8.1 A/D test register (ADTES)

This register is used to select the A/D converter’s positive reference voltage, A/D converter’s negative reference voltage, analog input channel (ANlxx), temperature sensor output voltage, or internal reference voltage (1.45 V) as the target of A/D conversion.

When using the A/D test function, specify the following settings:

- Select negative reference voltage as the target of A/D conversion for zero-scale measurement.
- Select positive reference voltage as the target of A/D conversion for full-scale measurement.

The ADTES register can be set by an 8-bit memory manipulation instruction.

Reset signal generation clears this register to 00H.

Figure 32-16. Format of A/D Test Register (ADTES)

Address: F0013H After reset: 00H R/W

Symbol	7	6	5	4	3	2	1	0
ADTES	0	0	0	0	0	0	ADTES1	ADTES0

ADTES1	ADTES0	A/D conversion target
0	0	ANlxx/temperature sensor output voltage ^{Note} /internal reference voltage (1.45 V) ^{Note} (This is specified using the analog input channel specification register (ADS).)
1	0	Negative reference voltage (selected with the ADREFM bit in ADM2)
1	1	Positive reference voltage (selected with the ADREFP1 or ADREFP0 bit in ADM2)
Other than above		Setting prohibited

Note Temperature sensor output voltage/internal reference voltage (1.45 V) can be used only in HS (high-speed main) mode.

32.3.8.2 Analog input channel specification register (ADS)

This register specifies the input channel of the analog voltage to be A/D converted.

Set A/D test register (ADTES) to 00H when measuring the ANIxx/temperature sensor output /internal reference voltage (1.45 V).

The ADS register can be set by a 1-bit or 8-bit memory manipulation instruction.

Reset signal generation clears this register to 00H.

Figure 32-17. Format of Analog Input Channel Specification Register (ADS)

Address: FFF31H After reset: 00H R/W

Symbol	7	6	5	4	3	2	1	0
ADS	ADISS	0	0	ADS4	ADS3	ADS2	ADS1	ADS0

ADISS	ADS4	ADS3	ADS2	ADS1	ADS0	Analog input channel	Input source
0	0	0	0	0	0	ANI0	P20/ANI0/AV _{REFP} pin
0	0	0	0	0	1	ANI1	P21/ANI1/AV _{REFM} pin
0	0	0	0	1	0	ANI2	P22/ANI2 pin
0	0	0	0	1	1	ANI3	P23/ANI3 pin
0	0	0	1	0	0	ANI4	P24/ANI4 pin
0	0	0	1	0	1	ANI5	P25/ANI5 pin
0	1	1	1	0	1	–	Temperature sensor 2 output voltage ^{Note}
1	0	0	0	0	1	–	Internal reference voltage (1.45 V) ^{Note}
Other than above						Setting prohibited	

Note This setting can be used only in HS (high-speed main) mode.

Cautions 1. Be sure to clear bits 5 and 6 to 0.

2. Select input mode for the ports which are set to analog input with the ADPC register, using the port mode register 2 (PM2).
3. Do not use the ADS register to set the pins which should be set as digital I/O with the A/D port configuration register (ADPC).
4. Only rewrite the value of the ADISS bit while conversion operation is stopped (ADCE = 0, ADCS = 0).
5. If using AV_{REFP} as the positive reference voltage of the A/D converter, do not select ANI0 as an A/D conversion channel.
6. If using AV_{REFM} as the negative reference voltage of the A/D converter, do not select ANI1 as an A/D conversion channel.
7. If ADISS is set to 1, the internal reference voltage (1.45 V) cannot be used for the positive reference voltage. In addition, the first conversion result obtained after setting ADISS to 1 is not available.
8. If a transition is made to STOP mode or a transition is made to HALT mode during CPU operation with subsystem clock, do not set ADISS to 1. When ADISS is 1, the A/D converter reference voltage current (I_{ADREF}) shown in 41.3.2 Supply current characteristics is added.

32.3.9 Digital output signal level detection function for I/O ports

In the IEC60730, it is required to check that the I/O function correctly operates.

By using the digital output signal level detection function for I/O pins, the digital output level of the pin can be read when the pin is set to output mode.

32.3.9.1 Port mode select register (PMS)

This register is used to select the output level from output latch level or pin output level when the port is output mode in which PMm bit of port mode register (PMm) is 0.

This register can be set by a 1-bit or 8-bit memory manipulation instruction.

Reset signal generation clears these registers to 00H.

Figure 32-18. Format of Port Mode Select Register (PMS)

Address: F007BH After reset: 00H R/W

Symbol	7	6	5	4	3	2	1	0
PMS	0	0	0	0	0	0	0	PMS0

PMS0	Method for selecting output level to be read when port is output mode (PMmn = 0)
0	Pmn register value is read.
1	Digital output level of the pin is read.

Remark m = 0 to 8, 12
n = 0 to 7

- Cautions**
1. While the PMS0 bit of the PMS register is “1”, do not change the value of the Px register by using a read-modify instruction. To change the value of the Px register, use an 8-bit manipulation instruction.
 2. PMS control cannot be used for the dedicated LCD pins and the input-only pins (P121 to P124 and P137).
 3. PMS control cannot be used for alternate-function pins being used as segment output pins. (“L” is always read when this register is read.)
 4. PMS control cannot be used for P61 and P60 when IICA0EN (bit 4 of the PER0 register) is 0.

CHAPTER 33 AES FUNCTIONS

33.1 AES Functions

The RL78/I1C microcontrollers are provided with the AES function based on AES-GCM Standards, which is used in the smart meter market, for enhanced security.

Feature overview

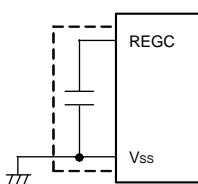
- Cipher modes of operation: GCM/ECB/CBC
- Encryption key length: 128/192/256 bits
- Number of interrupt sources: 2
- Interrupt source name: INTAES, INTAESF

For functional details, ask our sales representative.

CHAPTER 34 REGULATOR

34.1 Regulator Overview

The RL78/I1C contains a circuit for operating the device with a constant voltage. At this time, in order to stabilize the regulator output voltage, connect the REGC pin to V_{SS} via a capacitor (0.47 to 1 μ F). Also, use a capacitor with good characteristics, since it is used to stabilize internal voltage.



Caution Keep the wiring length as short as possible for the broken-line part in the above figure.

The regulator output voltage, see **Table 34 - 1**.

Table 34 - 1 Regulator Output Voltage Conditions

Mode	Output Voltage	Condition
LV (low-voltage main) mode	1.8 V	—
LP (Low-power main) mode		
LS (low-speed main) mode		
HS (high-speed main) mode	1.8 V	In STOP mode
		When both the high-speed system clock (f _{MX}) and the high-speed on-chip oscillator clock (f _{IH}) are stopped during CPU operation with the subsystem clock (f _{SUB})
	When both the high-speed system clock (f _{MX}) and the high-speed on-chip oscillator clock (f _{IH}) are stopped during the HALT mode when the CPU operation with the subsystem clock (f _{SUB}) has been set	
	2.1 V	Other than above (include during OCD mode) ^{Note}

Note When it shifts to the subsystem clock operation or STOP mode during the on-chip debugging, the regulator output voltage is kept at 2.1 V (not decline to 1.8 V).

34.2 Register Controlling Regulator

The following register is used to control the regulator.

- Regulator mode control register (PMMC)

34.2.1 Regulator mode control register (PMMC)

The PMMC register is an 8-bit register used to control the mode of the on-chip regulator.

This register can be set by a 1-bit or 8-bit memory manipulation instruction.

Reset generation sets this register to 00H.

Figure 34 - 1 Format of Regulator mode control register (PMMC)

Address: F00F8H	After reset: 00H	R/W						
Symbol	7	<6>	5	4	3	2	1	0
PMMC	0	MCSEL	0	0	0	0	0	0
MCSEL	Control of regulator mode							
0	Normal setting							
1	Low-power consumption setting							

Caution 1. Do not change the flash operation mode select register (FLMODE) when MCSEL is 1.

Caution 2. Do not set MCSEL to 1 in HS (high-speed main) mode and LV (low-voltage main) mode.

Caution 3. In LS (low-speed main) mode, transitions to the STOP mode are prohibited while MCSEL is 1.

CHAPTER 35 OPTION BYTE

35.1 Functions of Option Bytes

Addresses 000C0H to 000C3H of the flash memory of the RL78/I1C form an option byte area.

Option bytes consist of user option byte (000C0H to 000C2H) and on-chip debug option byte (000C3H).

Upon power application or resetting and starting, an option byte is automatically referenced and a specified function is set. When using the product, be sure to set the following functions by using the option bytes. For bits for which no function is assigned, do not change their initial values.

To use the boot swap operation during self programming, 000C0H to 000C3H are replaced by 010C0H to 010C3H. Therefore, set the same values as 000C0H to 000C3H to 010C0H to 010C3H.

Caution The option bytes should always be set regardless of whether each function is used.

35.1.1 User option byte (000C0H to 000C2H/010C0H to 010C2H)

(1) 000C0H/010C0H

- Operation of watchdog timer
 - Enabling or disabling of counter operation
 - Enabling or disabling of counter operation in the HALT or STOP mode
- Setting of overflow time of watchdog timer
- Setting of window open period of watchdog timer
- Setting of interval interrupt of watchdog timer
 - Whether or not to use the interval interrupt is selectable.

Caution Set the same value as 000C0H to 010C0H when the boot swap operation is used because 000C0H is replaced by 010C0H.

(2) 000C1H/010C1H

- Setting of LVD operation mode
 - Interrupt & reset mode.
 - Reset mode.
 - Interrupt mode.
 - LVD off (by controlling the externally input reset signal on the RESET pin)
- Setting of LVD detection level (V_{LVDH} , V_{LVDL} , V_{LVD})

Cautions 1. After power is supplied, the reset state must be retained until the operating voltage becomes in the range defined in 41.4 AC Characteristics. This is done by utilizing the voltage detector or controlling the externally input reset signal. After the power supply is turned off, this LSI should be placed in the STOP mode, or placed in the reset state by utilizing the voltage detector or controlling the externally input reset signal, before the voltage falls below the operating range. The range of operating voltage varies with the setting of the user option byte (000C2H or 010C2H).

2. Set the same value as 000C1H to 010C1H when the boot swap operation is used because 000C1H is replaced by 010C1H.

(3) 000C2H/010C2H

- <R>
- Setting of flash operation mode
 - It should be set, depending on the main system clock frequency (f_{MAIN}) and power supply (V_{DD}) to be used.
 - LV (low-voltage main) mode
 - LS (low speed main) mode
 - HS (high speed main) mode
 - Setting of the frequency of the high-speed on-chip oscillator
 - Select from 1 MHz to 24 MHz

Caution Set the same value as 000C2H to 010C2H when the boot swap operation is used because 000C2H is replaced by 010C2H.

35.1.2 On-chip debug option byte (000C3H/ 010C3H)

- Control of on-chip debug operation
 - On-chip debug operation is disabled or enabled.
- Handling of data of flash memory in case of failure in on-chip debug security ID authentication
 - Data of flash memory is erased or not erased in case of failure in on-chip debug security ID authentication.

Caution Set the same value as 000C3H to 010C3H when the boot swap operation is used because 000C3H is replaced by 010C3H.

35.2 Format of User Option Byte

The format of user option byte is shown below.

Figure 35-1. Format of User Option Byte (000C0H/010C0H)

Address: 000C0H/010C0H^{Note 1}

7	6	5	4	3	2	1	0
WDTINIT	WINDOW1	WINDOW0	WDTON	WDCS2	WDCS1	WDCS0	WDSTBYON
WDTINIT	Use of interval interrupt of watchdog timer						
0	Interval interrupt is not used.						
1	Interval interrupt is generated when 75% + 1/2 _{f_{IL}} of the overflow time is reached.						
WINDOW1	WINDOW0	Watchdog timer window open period ^{Note 2}					
0	0	Setting prohibited					
0	1	50%					
1	0	75%					
1	1	100%					
WDTON	Operation control of watchdog timer counter						
0	Counter operation disabled (counting stopped after reset)						
1	Counter operation enabled (counting started after reset)						
WDCS2	WDCS1	WDCS0	Watchdog timer overflow time (f _{IL} = 17.25 kHz (MAX.))				
0	0	0	2 ⁶ /f _{IL} (3.71 ms)				
0	0	1	2 ⁷ /f _{IL} (7.42 ms)				
0	1	0	2 ⁸ /f _{IL} (14.84 ms)				
0	1	1	2 ⁹ /f _{IL} (29.68 ms)				
1	0	0	2 ¹¹ /f _{IL} (118.72 ms)				
1	0	1	2 ¹³ /f _{IL} (474.89 ms)				
1	1	0	2 ¹⁴ /f _{IL} (949.79 ms)				
1	1	1	2 ¹⁶ /f _{IL} (3799.18 ms)				
WDSTBYON	Operation control of watchdog timer counter (HALT/STOP mode)						
0	Counter operation stopped in HALT/STOP mode ^{Note 2}						
1	Counter operation enabled in HALT/STOP mode						

- Notes**
1. Set the same value as 000C0H to 010C0H when the boot swap operation is used because 000C0H is replaced by 010C0H.
 2. The window open period is 100% when WDSTBYON = 0, regardless the value of the WINDOW1 and WINDOW0 bits.

Remark f_{IL}: Low-speed on-chip oscillator clock frequency

Figure 35-2. Format of User Option Byte (000C1H/010C1H) (1/2)

Address: 000C1H/010C1H^{Note}

	7	6	5	4	3	2	1	0
	VPOC2	VPOC1	VPOC0	1	LVIS1	LVIS0	LVIMDS1	LVIMDS0

• LVD setting (interrupt & reset mode)

Detection voltage			Option byte setting value						
V _{LVDH}		V _{LVDL}	VPOC2	VPOC1	VPOC0	LVIS1	LVIS0	Mode setting	
Rising edge	Falling edge	Falling edge						LVIMDS1	LVIMDS0
1.98 V	1.94 V	1.84 V	0	0	1	1	0	1	0
2.09 V	2.04 V					0	1		
3.13 V	3.06 V					0	0		
2.61 V	2.55 V	2.45 V		1	0	1	0		
2.71 V	2.65 V					0	1		
3.75 V	3.67 V					0	0		
2.92 V	2.86 V	2.75 V		1	1	1	0		
3.02 V	2.96 V					0	1		
4.06 V	3.98 V					0	0		
–			Setting of values other than above is prohibited.						

• LVD setting (reset mode)

Detection voltage			Option byte setting value										
V _{LVD}		V _{LVDL}	VPOC2	VPOC1	VPOC0	LVIS1	LVIS0	Mode setting					
Rising edge	Falling edge							LVIMDS1	LVIMDS0				
1.77 V	1.73 V		0	0	0	1	0	1	1				
1.88 V	1.84 V			0	1	1	1						
1.98 V	1.94 V			0	1	1	0						
2.09 V	2.04 V			0	1	0	1						
2.50 V	2.45 V			1	0	1	1						
2.61 V	2.55 V			1	0	1	0						
2.71 V	2.65 V			1	0	0	1						
2.81 V	2.75 V			1	1	1	1						
2.92 V	2.86 V			1	1	1	0						
3.02 V	2.96 V			1	1	0	1						
3.13 V	3.06 V			0	1	0	0						
3.75 V	3.67 V			1	0	0	0						
4.06 V	3.98 V			1	1	0	0						
–				Setting of values other than above is prohibited.									

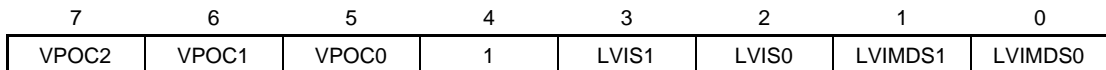
Note Set the same value as 000C1H to 010C1H when the boot swap operation is used because 000C1H is replaced by 010C1H.

Caution Be sure to set bit 4 to “1”.

- Remarks**
- For LVD setting, see 29.1 Functions of Voltage Detector.
 - The detection voltage is a typical value. For details, see 41.6.5 LVD circuit characteristics.

Figure 35-2. Format of User Option Byte (000C1H/010C1H) (2/2)

Address: 000C1H/010C1H^{Note}



• LVD setting (interrupt mode)

Detection voltage		Option byte setting value						
V _{LVD}		VPOC2	VPOC1	VPOC0	LVIS1	LVIS0	Mode setting	
Rising edge	Falling edge						LVIMDS1	LVIMDS0
1.77 V	1.73 V	0	0	0	1	0	0	1
1.88 V	1.84 V		0	1	1	1		
1.98 V	1.94 V		0	1	1	0		
2.09 V	2.04 V		0	1	0	1		
2.50 V	2.45 V		1	0	1	1		
2.61 V	2.55 V		1	0	1	0		
2.71 V	2.65 V		1	0	0	1		
2.81 V	2.75 V		1	1	1	1		
2.92 V	2.86 V		1	1	1	0		
3.02 V	2.96 V		1	1	0	1		
3.13 V	3.06 V		0	1	0	0		
3.75 V	3.67 V		1	0	0	0		
4.06 V	3.98 V		1	1	0	0		
–			Setting of values other than above is prohibited.					

• LVD off setting (use of external reset input via $\overline{\text{RESET}}$ pin)

Detection voltage		Option byte setting value						
V _{LVD}		VPOC2	VPOC1	VPOC0	LVIS1	LVIS0	Mode setting	
Rising edge	Falling edge						LVIMDS1	LVIMDS0
–	–	1	×	×	×	×	×	1
–		Setting of values other than above is prohibited.						

Note Set the same value as 000C1H to 010C1H when the boot swap operation is used because 000C1H is replaced by 010C1H.

Cautions 1. Be sure to set bit 4 to “1”.

2. After power is supplied, the reset state must be retained until the operating voltage becomes in the range defined in 41.4 AC Characteristics. This is done by utilizing the voltage detector or controlling the externally input reset signal. After the power supply is turned off, this LSI should be placed in the STOP mode, or placed in the reset state by utilizing the voltage detector or controlling the externally input reset signal, before the voltage falls below the operating range. The range of operating voltage varies with the setting of the user option byte (000C2H or 010C2H).

Remarks 1. x: don't care

2. For LVD setting, see 29.1 Functions of Voltage Detector.
3. The detection voltage is a typical value. For details, see 41.6.5 LVD circuit characteristics.

Figure 35-3. Format of Option Byte (000C2H/010C2H)

Address: 000C2H/010C2H^{Note 1}

7	6	5	4	3	2	1	0
CMODE1	CMODE0	1	0	FRQSEL3	FRQSEL2	FRQSEL1	FRQSEL0

CMODE1	CMODE0	Setting of flash operation mode		
			Operating frequency range (f _{MAIN})	Operating voltage range (V _{DD})
0	0	LV (low-voltage main) mode	1 to 4 MHz	1.7 to 5.5 V
1	0	LS (low speed main) mode	1 to 8 MHz	1.9 to 5.5 V
1	1	HS (high speed main) mode	1 to 6 MHz	2.1 to 5.5 V
			1 to 12 MHz	2.4 to 5.5 V
			1 to 16 MHz	2.5 to 5.5 V
			1 to 24 MHz	2.7 to 5.5 V
			1 to 32 MHz ^{Note 2}	2.8 to 5.5 V
Other than above		Setting prohibited		

FRQSEL3	FRQSEL2	FRQSEL1	FRQSEL0	Frequency of the high-speed on-chip oscillator clock (f _{IH})	
				FRQSEL3 = 0	FRQSEL3 = 1 ^{Note 3}
0	0	0	0	24 MHz ^{Note 2}	Setting prohibited ^{Note 2}
0	0	0	1	12 MHz	16 MHz
0	0	1	0	6 MHz	8 MHz
0	0	1	1	3 MHz	4 MHz
0	1	0	0	1.5 MHz	2 MHz
1	1	0	1	Setting prohibited	1 MHz
Other than above				Setting prohibited	

- Notes**
1. Set the same value as 000C2H to 010C2H when the boot swap operation is used because 000C2H is replaced by 010C2H.
 2. When the PLL clock (32 MHz) is selected as the main system clock, select 24 MHz for the high-speed on-chip oscillator clock.
 3. This setting is prohibited when the high-speed on-chip oscillator clock (f_{IH}) is selected as the operating clock for the 24-bit ΔΣ A/D converter.

- Cautions**
1. Be sure to set bits 5 and 4 to 10B.
 2. The ranges of operation frequency and operation voltage vary depending on the flash operation mode. For details, see 41.4 AC Characteristics.

35.3 Format of On-chip Debug Option Byte

The format of on-chip debug option byte is shown below.

Figure 35-4. Format of On-chip Debug Option Byte (000C3H/010C3H)

Address: 000C3H/010C3H^{Note}

	7	6	5	4	3	2	1	0
OCDENSET		0	0	0	0	1	0	OCDERSD

OCDENSET	OCDERSD	Control of on-chip debug operation
0	0	Disables on-chip debug operation.
0	1	Setting prohibited
1	0	Enables on-chip debugging. Erases data of flash memory in case of failures in authenticating on-chip debug security ID.
1	1	Enables on-chip debugging. Does not erases data of flash memory in case of failures in authenticating on-chip debug security ID.

Note Set the same value as 000C3H to 010C3H when the boot swap operation is used because 000C3H is replaced by 010C3H.

Caution Bits 7 and 0 (OCDENSET and OCDERSD) can only be specified a value.
Be sure to set bits 6 to 1 to 000010B.

Remark The value on bits 3 to 1 will be written over when the on-chip debug function is in use and thus it will become unstable after the setting.
However, be sure to set the default values (0, 1, and 0) to bits 3 to 1 at setting.

35.4 Setting of Option Byte

The user option byte and on-chip debug option byte can be set using the link option, in addition to describing to the source. When doing so, the contents set by using the link option take precedence, even if descriptions exist in the source, as mentioned below.

A software description example of the option byte setting is shown below.

OPT	CSEG	OPT_BYTE	
	DB	36H	; Does not use interval interrupt of watchdog timer, ; Enables watchdog timer operation, ; Window open period of watchdog timer is 50%, ; Overflow time of watchdog timer is $2^9/f_{IL}$, ; Stops watchdog timer operation during HALT/STOP mode
	DB	5AH	; Select 2.45 V for V_{LVDL} ; Select rising edge 2.61 V, falling edge 2.55 V for V_{LVDH} ; Select the interrupt & reset mode as the LVD operation mode
	DB	A3H	; Select the LS (low speed main) mode as the flash operation mode and 3 MHz as the frequency of the high-speed on-chip oscillator
	DB	85H	; Enables on-chip debug operation, does not erase flash memory data when security ID authorization fails

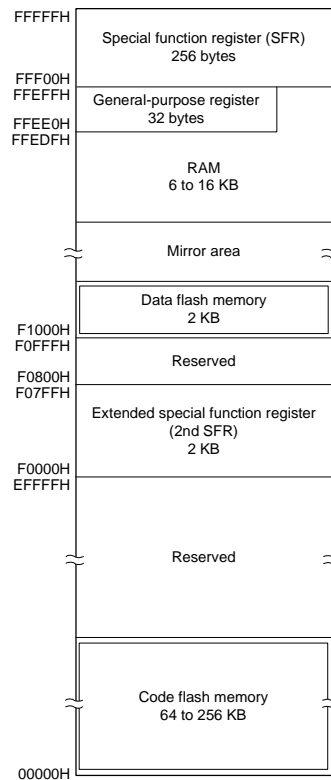
When the boot swap function is used during self programming, 000C0H to 000C3H is switched to 010C0H to 010C3H. Describe to 010C0H to 010C3H, therefore, the same values as 000C0H to 000C3H as follows.

OPT2	CSEG	AT	010C0H	
	DB		36H	; Does not use interval interrupt of watchdog timer, ; Enables watchdog timer operation, ; Window open period of watchdog timer is 50%, ; Overflow time of watchdog timer is $2^{10}/f_{IL}$, ; Stops watchdog timer operation during HALT/STOP mode
	DB		5AH	; Select 2.45 V for V_{LVDL} ; Select rising edge 2.61 V, falling edge 2.55 V for V_{LVDH} ; Select the interrupt & reset mode as the LVD operation mode
	DB		A3H	; Select the LS (low speed main) mode as the flash operation mode and 3 MHz as the frequency of the high-speed on-chip oscillator
	DB		85H	; Enables on-chip debug operation, does not erase flash memory data when security ID authorization fails

Caution To specify the option byte by using assembly language, use `OPT_BYTE` as the relocation attribute name of the `CSEG` pseudo instruction. To specify the option byte to 010C0H to 010C3H in order to use the boot swap function, use the relocation attribute `AT` to specify an absolute address.

CHAPTER 36 FLASH MEMORY

The RL78 microcontroller incorporates the flash memory to which a program can be written, erased, and overwritten while mounted on the board. The flash memory includes the “code flash memory”, in which programs can be executed, and the “data flash memory”, an area for storing data.



The following methods for programming the flash memory are available.

The code flash memory can be rewritten through serial programming using a flash memory programmer or an external device (UART communication), or through self-programming.

- Serial Programming Using Flash Memory Programmer (see **36.1**)
Data can be written to the flash memory on-board or off-board by using a dedicated flash memory programmer.
- Serial Programming Using External Device (that Incorporates UART) (see **36.2**)
Data can be written to the flash memory on-board through UART communication with an external device (microcontroller or ASIC).
- Self-Programming (see **36.6**)
The user application can execute self-programming of the code flash memory by using the flash self-programming library.

Caution When rewriting the flash memory, stop the middle-speed on-chip oscillator (MIOEN = 0) and select the high-speed on-chip oscillator (MCM1 = 0) as the main on-chip oscillator clock (foco). Do not change the flash operation mode register (FLMODE). Rewrite the flash memory when the MCSEL bit in the regulator mode control register (PMMC) is 0.

The data flash memory can be rewritten to by using the data flash library during user program execution (background operation). For access and writing to the data flash memory, see **36.8 Data Flash**.

36.1 Serial Programming Using Flash Memory Programmer

The following dedicated flash memory programmer can be used to write data to the internal flash memory of the RL78 microcontroller.

- PG-FP5, FL-PR5
- E1 on-chip debugging emulator

Data can be written to the flash memory on-board or off-board, by using a dedicated flash memory programmer.

(1) On-board programming

The contents of the flash memory can be rewritten after the RL78 microcontroller has been mounted on the target system. The connectors that connect the dedicated flash memory programmer must be mounted on the target system.

(2) Off-board programming

Data can be written to the flash memory with a dedicated program adapter (FA series) before the RL78 microcontroller is mounted on the target system.

Remark FL-PR5 and FA series are products of Naito Densei Machida Mfg. Co., Ltd.

Table 36 - 1 Wiring Between RL78/I1C and Dedicated Flash Memory Programmer

Pin Configuration of Dedicated Flash Memory Programmer				Pin Name	Pin No.		
Signal Name		I/O	Pin Function		64-pin	80-pin	100-pin
PG-FP5, FL-PR5	E1 on-chip debugging emulator				LFQFP (10 × 10)	LFQFP (12 × 12)	LFQFP (14 × 14)
—	TOOL0	I/O	Transmit/ receive signal	TOOL0/ P40	5	3	9
SI/RxD	—	I/O	Transmit/ receive signal				
—	$\overline{\text{RESET}}$	Output	Reset signal	$\overline{\text{RESET}}$	6	7	13
/RESET	—	Output					
V _{DD}		I/O	V _{DD} voltage generation/ power monitoring	V _{DD}	15	16	22
GND		—	Ground	V _{SS} /EV _{SS0}	14	15	21
				EV _{SS1}			54
				REGC ^{Note}			13
FLMD1	EMV _{DD}	—	Driving power for TOOL0 pin	V _{DD}	15	17	—
				EV _{DD0}			23
				EV _{DD1}			63

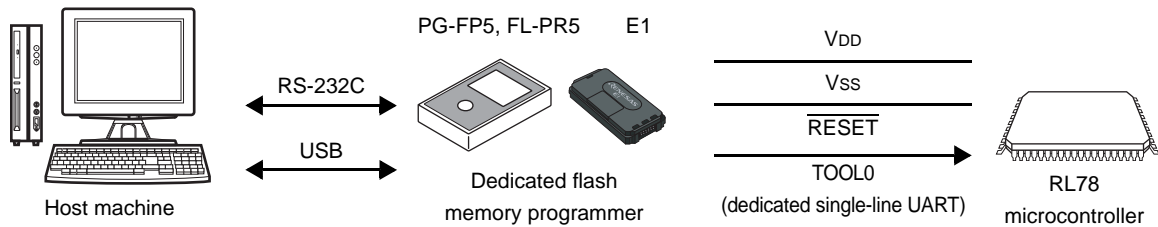
Note Connect REGC pin to ground via a capacitor (0.47 to 1 μF).

Remark Pins that are not indicated in the above table can be left open when using the flash memory programmer for flash programming.

36.1.1 Programming environment

The environment required for writing a program to the flash memory of the RL78 microcontroller is illustrated below.

Figure 36 - 1 Environment for Writing Program to Flash Memory



A host machine that controls the dedicated flash memory programmer is necessary.

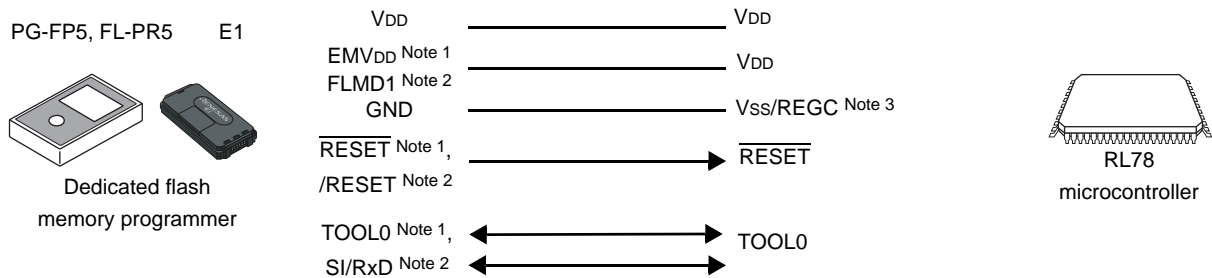
To interface between the dedicated flash memory programmer and the RL78 microcontroller, the TOOL0 pin is used for manipulation such as writing and erasing via a dedicated single-line UART.

36.1.2 Communication mode

Communication between the dedicated flash memory programmer and the RL78 microcontroller is established by serial communication using the TOOL0 pin via a dedicated single-line UART of the RL78 microcontroller.

Transfer rate: 1 M, 500 k, 250 k, 115.2 kbps

Figure 36 - 2 Communication with Dedicated Flash Memory Programmer



- Note 1.** When using E1 on-chip debugging emulator.
- Note 2.** When using PG-FP5 or FL-PR5.
- Note 3.** Connect REGC pin to ground via a capacitor (0.47 to 1 μ F).

The dedicated flash memory programmer generates the following signals for the RL78 microcontroller. See the manual of PG-FP5, FL-PR5, or E1 on-chip debugging emulator for details.

Table 36 - 2 Pin Connection

Dedicated Flash Memory Programmer			RL78 microcontroller	
Signal Name		I/O	Pin Function	Pin Name ^{Note 2}
PG-FP5, FL-PR5	E1 on-chip debugging emulator			
V _{DD}		I/O	V _{DD} voltage generation/power monitoring	V _{DD}
GND		—	Ground	V _{SS} , EV _{SS} , REGC ^{Note 1}
FLMD1	EMV _{DD}	—	Driving power for TOOL0 pin	V _{DD}
/RESET	—	Output	Reset signal	$\overline{\text{RESET}}$
—	$\overline{\text{RESET}}$	Output		
—	TOOL0	I/O	Transmit/receive signal	TOOL0
SI/RxD	—	I/O	Transmit/receive signal	

Note 1. Connect REGC pin to ground via a capacitor (0.47 to 1 μ F).

Note 2. Pins to be connected differ with the product. For details, see **Table 36 - 1**.

36.2 Serial Programming Using External Device (that Incorporates UART)

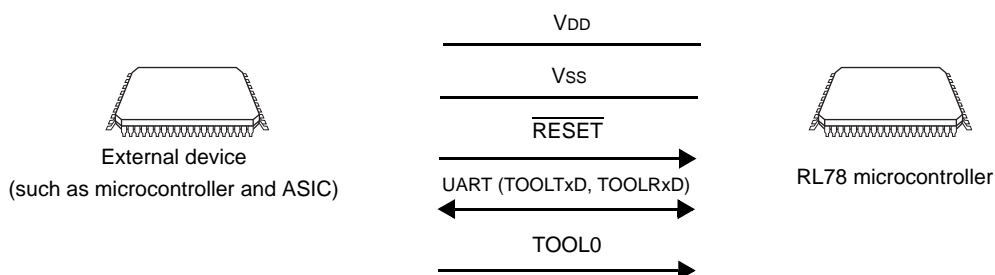
On-board data writing to the internal flash memory is possible by using the RL78 microcontroller and an external device (a microcontroller or ASIC) connected to a UART.

On the development of flash memory programmer by user, refer to the **RL78 Microcontrollers (RL78 Protocol A) Programmer Edition Application Note (R01AN0815)**.

36.2.1 Programming environment

The environment required for writing a program to the flash memory of the RL78 microcontroller is illustrated below.

Figure 36 - 3 Environment for Writing Program to Flash Memory



Processing to write data to or delete data from the RL78 microcontroller by using an external device is performed on-board. Off-board writing is not possible.

36.2.2 Communication mode

Communication between the external device and the RL78 microcontroller is established by serial communication using the TOOLTxD and TOOLRxD pins via the dedicated UART of the RL78 microcontroller.

Transfer rate: 1 M, 500 k, 250 k, 115.2 kbps

<R>

Figure 36 - 4 Communication with External Device



Note Connect REGC pin to ground via a capacitor (0.47 to 1 μF).

The external device generates the following signals for the RL78 microcontroller.

Table 36 - 3 Pin Connection

External Device			RL78 microcontroller
Signal Name	I/O	Pin Function	Pin Name
VDD	I/O	VDD voltage generation/power monitoring	VDD
GND	—	Ground	Vss, REGC Note
RESETOUT	Output	Reset signal output	RESET
RxD	Input	Receive signal	TOOLTxD
TxD	Output	Transmit signal	TOOLRxD
PORT	Output	Mode signal	TOOL0

Note Connect REGC pin to ground via a capacitor (0.47 to 1 μF).

36.3 Connection of Pins on Board

To write the flash memory on-board by using the flash memory programmer, connectors that connect the dedicated flash memory programmer must be provided on the target system. First provide a function that selects the normal operation mode or flash memory programming mode on the board.

When the flash memory programming mode is set, all the pins not used for programming the flash memory are in the same status as immediately after reset. Therefore, if the external device does not recognize the state immediately after reset, the pins must be handled as described below.

Remark For details on flash memory programming mode, refer to **36.4.2 Flash memory programming mode**.

36.3.1 P40/TOOL0 pin

In the flash memory programming mode, connect this pin to the dedicated flash memory programmer via an external 1 k Ω pull-up resistor.

When this pin is used as the port pin, use that by the following method.

When used as an input pin: Input of low-level is prohibited for t_{HD} period after external reset release. However, when this pin is used via pull-down resistors, use the 500 k Ω or more resistors.

When used as an output pin: When this pin is used via pull-down resistors, use the 500 k Ω or more resistors.

Remark 1. t_{HD}: How long to keep the TOOL0 pin at the low level from when the external and internal resets end for setting of the flash memory programming mode (see **41.12 Timing Specs for Switching Flash Memory Programming Modes**).

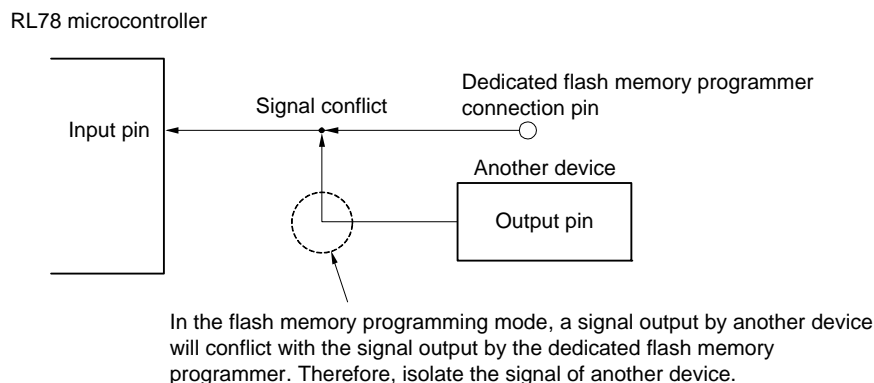
Remark 2. The SAU and IICA pins are not used for communication between the RL78 microcontroller and dedicated flash memory programmer, because single-line UART (TOOL0 pin) is used.

36.3.2 RESET pin

Signal conflict will occur if the reset signal of the dedicated flash memory programmer and external device are connected to the RESET pin that is connected to the reset signal generator on the board. To prevent this conflict, isolate the connection with the reset signal generator.

The flash memory will not be correctly programmed if the reset signal is input from the user system while the flash memory programming mode is set. Do not input any signal other than the reset signal of the dedicated flash memory programmer and external device.

Figure 36 - 5 Signal Conflict (RESET Pin)



36.3.3 Port pins

Example When the flash memory programming mode is set, all the pins not used for flash memory programming enter the same status as that immediately after reset. If external devices connected to the ports do not recognize the port status immediately after reset, the port pin must be connected to V_{DD} , or V_{SS} via a resistor

36.3.4 REGC pin

Connect the REGC pin to GND via a capacitor having excellent characteristics (0.47 to 1 μ F) in the same manner as during normal operation. Also, use a capacitor with good characteristics, since it is used to stabilize internal voltage.

36.3.5 X1 and X2 pins

Connect X1 and X2 in the same status as in the normal operation mode.

Remark In the flash memory programming mode, the high-speed on-chip oscillator clock (f_{IH}) is used.

36.3.6 Power supply

To use the supply voltage output of the flash memory programmer, connect the V_{DD} pin to V_{DD} of the flash memory programmer, and the V_{SS} pin to GND of the flash memory programmer.

To use the on-board supply voltage, connect in compliance with the normal operation mode.

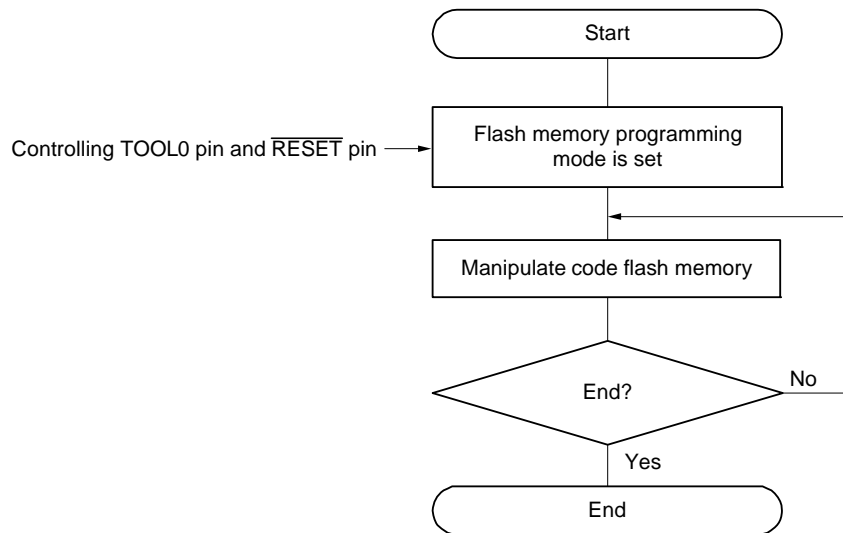
However, when writing to the flash memory by using the flash memory programmer and using the on-board supply voltage, be sure to connect the V_{DD} and V_{SS} pins to V_{DD} and GND of the flash memory programmer to use the power monitor function with the flash memory programmer.

36.4 Programming Method

36.4.1 Serial programming procedure

The following figure illustrates a flow for rewriting the code flash memory through serial programming.

Figure 36 - 6 Code Flash Memory Manipulation Procedure



36.4.2 Flash memory programming mode

To rewrite the contents of the code flash memory through serial programming, specify the flash memory programming mode. To enter the mode, set as follows.

<When serial programming by using the dedicated flash memory programmer>

Connect the RL78 microcontroller to a dedicated flash memory programmer. Communication from the dedicated flash memory programmer is performed to automatically switch to the flash memory programming mode.

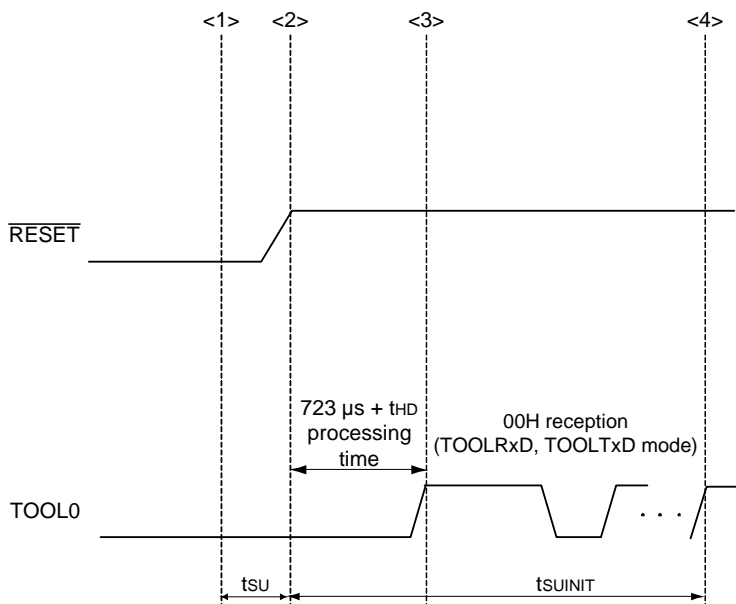
<When serial programming by using an external device>

Set the TOOL0 pin to the low level, and then cancel the reset (see **Table 36 - 4**). After that, enter flash memory programming mode according to the procedures <1> to <4> shown in **Figure 36 - 7**. For details, refer to the **RL78 microcontrollers (RL78 Protocol A) Programmer Edition Application Note (R01AN0815)**.

Table 36 - 4 Relationship Between TOOL0 Pin and Operation Mode After Reset Release

TOOL0	Operation Mode
EVDD0	Normal operation mode
0 V	Flash memory programming mode

Figure 36 - 7 Setting of Flash Memory Programming Mode



- <1> The low level is input to the TOOL0 pin.
- <2> The external reset ends (POR and LVD reset must end before the external reset ends).
- <3> The TOOL0 pin is set to the high level.
- <4> Setting of the flash memory programming mode by UART reception and complete the baud rate setting.

Remark **tsuINIT:** The segment shows that it is necessary to finish specifying the initial communication settings within 100 ms from when the external resets end.

tsu: How long from when the TOOL0 pin is placed at the low level until a pin reset ends.

tHD: How long to keep the TOOL0 pin at the low level from when the external resets end (the flash firmware processing time is excluded).

For details, see **41.12 Timing Specs for Switching Flash Memory Programming Modes**.

There are two flash memory programming modes: wide voltage mode and full speed mode. The supply voltage value applied to the microcontroller during write operations and the setting information of the user option byte for setting of the flash memory programming mode determine which mode is selected.

When a dedicated flash memory programmer is used for serial programming, setting the voltage on GUI selects the mode automatically.

Table 36 - 5 Programming Modes and Voltages at Which Data Can Be Written, Erased, or Verified

Power Supply Voltage (V _{DD})	User Option Byte Setting for Switching to Flash Memory Programming Mode		Flash Programming Mode
	Flash Operation Mode	Operating Frequency (f _{CLK})	
2.7 V ≤ V _{DD} ≤ 5.5 V	Blank state		Full speed mode
	HS (high-speed main) mode	1 MHz to 32 MHz	Full speed mode
	LS (low-speed main) mode	1 MHz to 8 MHz	Wide voltage mode
	LV (low-voltage main) mode	1 MHz to 4 MHz	Wide voltage mode
2.4 V ≤ V _{DD} < 2.7 V	Blank state		Full speed mode
	HS (high-speed main) mode	1 MHz to 16 MHz	Full speed mode
	LS (low-speed main) mode	1 MHz to 8 MHz	Wide voltage mode
	LV (low-voltage main) mode	1 MHz to 4 MHz	Wide voltage mode
1.8 V ≤ V _{DD} < 2.4 V	Blank state		Wide voltage mode
	LS (low-speed main) mode	1 MHz to 8 MHz	Wide voltage mode
	LV (low-voltage main) mode	1 MHz to 4 MHz	Wide voltage mode

Remark 1. Using both the wide voltage mode and full speed mode imposes no restrictions on writing, erasing, or verification.

Remark 2. For details about communication commands, see **36.4.4 Communication commands**.

36.4.3 Selecting communication mode

Communication mode of the RL78 microcontroller as follows.

Table 36 - 6 Communication Modes

Communication Mode	Standard Setting ^{Note 1}				Pins Used
	Port	Speed ^{Note 2}	Frequency	Multiply Rate	
1-line mode (when flash memory programmer is used, or when external device is used)	UART	115200 bps, 250000 bps, 500000 bps, 1 Mbps	—	—	TOOL0
Dedicated UART (when external device is used)	UART	115200 bps, 250000 bps, 500000 bps, 1 Mbps	—	—	TOOLTxD, TOOLRxD

Note 1. Selection items for Standard settings on GUI of the flash memory programmer.

Note 2. Because factors other than the baud rate error, such as the signal waveform slew, also affect UART communication, thoroughly evaluate the slew as well as the baud rate error.

36.4.4 Communication commands

The RL78 microcontroller executes serial programming through the commands listed in **Table 36 - 7**.

The signals sent from the dedicated flash memory programmer or external device to the RL78 microcontroller are called commands, and programming functions corresponding to the commands are executed. For details, refer to the **RL78 microcontroller (RL78 Protocol A) Programmer Edition Application Note (R01AN0815)**.

Table 36 - 7 Flash Memory Control Commands

Classification	Command Name	Function
Verify	Verify	Compares the contents of a specified area of the flash memory with data transmitted from the programmer.
Erase	Block Erase	Erases a specified area in the flash memory.
Blank check	Block Blank Check	Checks if a specified block in the flash memory has been correctly erased
Write	Programming	Writes data to a specified area in the flash memory ^{Note} .
Getting information	Silicon Signature	Gets the RL78 microcontroller information (such as the part number, flash memory configuration, and programming firmware version).
	Checksum	Gets the checksum data for a specified area.
Security	Security Set	Sets security information.
	Security Get	Gets security information.
	Security Release	Release setting of prohibition of writing.
Others	Reset	Used to detect synchronization status of communication.
	Baud Rate Set	Sets baud rate when UART communication mode is selected.

Note Confirm that no data has been written to the write area. Because data cannot be erased after block erase is prohibited, do not write data if the data has not been erased.

Product information (such as product name and firmware version) can be obtained by executing the “Silicon Signature” command.

Tables 36 - 8 and 36 - 9 show signature data list and example of signature data list.

Table 36 - 8 Signature Data List

Field name	Description	Number of transmit data
Device code	The serial number assigned to the device	3 bytes
Device name	Device name (ASCII code)	10 bytes
Code flash memory area last address	Last address of code flash memory area (Sent from lower address. Example. 00000H to 0FFFFH (64 KB) → FFH, FFH, 00H)	3 bytes
Data flash memory area last address	Last address of data flash memory area (Sent from lower address. Example. F1000H to F17FFH (2 KB) → FFH, 17H, 0FH)	3 bytes
Firmware version	Version information of firmware for programming (Sent from upper address. Example. From Ver. 1.23 → 01H, 02H, 03H)	3 bytes

Table 36 - 9 Signature Data List

Field name	Description	Number of transmit data	Data (hexadecimal)
Device code	RL78 protocol A	3 bytes	10 00 06
Device name	R5F10NPJ	10 bytes	52 = "R" 35 = "5" 46 = "F" 31 = "1" 30 = "0" 4E = "N" 50 = "P" 4A = "J" 20 = " " 20 = " "
Code flash memory area last address	Code flash memory area 00000H to 3FFFFH (256 KB)	3 bytes	FFH FFH 03H
Data flash memory area last address	Data flash memory area F1000H to F17FFH (2 KB)	3 bytes	FFH 17H 0FH
Firmware version	Ver.1.23	3 bytes	01 02 03

36.5 Processing Time for Each Command When PG-FP5 Is in Use (Reference Value)

The following shows the processing time for each command (reference value) when PG-FP5 is used as a dedicated flash memory programmer.

Table 36 - 10 Processing Time for Each Command When PG-FP5 Is in Use (Reference Value)

PG-FP5 Command	Port: TOOL0 (UART)		
	Speed: 1M bps		
	64 Kbytes	128 Kbytes	256 Kbytes
Erasing	1.5 s	2 s	2.5 s
Writing	2.5 s	3.5 s	6 s
Verification	2 s	3.5 s	5.5 s
Writing after erasing	3 s	4.5 s	8 s

Remark Remark The command processing times (reference values) shown in the table are typical values under the following conditions.

Port: TOOL0 (single-line UART)

Speed: 1,000,000 bps

Mode: Full speed mode (flash operation mode: HS (high speed main) mode)

36.6 Self-Programming

The RL78 microcontroller supports a self-programming function that can be used to rewrite the flash memory via a user program. Because this function allows a user application to rewrite the flash memory by using the RL78 microcontroller self-programming library, it can be used to upgrade the program in the field.

Caution 1. The self-programming function cannot be used when the CPU operates with the subsystem clock (f_{SUB}).

Caution 2. To prohibit an interrupt during self-programming, in the same way as in the normal operation mode, execute the flash self-programming library in the state where the IE flag is cleared (0) by the DI instruction. To enable an interrupt, clear (0) the interrupt mask flag to accept in the state where the IE flag is set (1) by the EI instruction, and then execute the flash self-programming library.

Caution 3. The high-speed on-chip oscillator should be kept operating during self-programming. If it is stopped, its clock should be operated (HIOSTOP = 0), and the flash self-programming library should be executed after 30 μs have elapsed. Stop the middle-speed on-chip oscillator (MIOEN = 0) and select the high-speed on-chip oscillator (MCM1 = 0) as the main on-chip oscillator clock (foco).

Caution 4. When rewriting the flash memory, do not change the flash operation mode register (FLMODE). Rewrite the flash memory when the MCSEL bit in the regulator mode control register (PMMC) is 0.

Caution 5. The self-programming function cannot be used when the internal power is supplied from the VBAT pin.

Remark 1. For details of the self-programming function, refer to the **RL78 microcontroller Flash Self-Programming Library Type01 User's Manual (R01US0050)**.

Remark 2. For details of the time required to execute self-programming, see the notes on use that accompany the flash self-programming library tool.

The self-programming function has two flash memory programming modes; wide voltage mode and full speed mode. Specify the mode that corresponds to the flash operation mode specified in bits CMODE1 and CMODE0 in option byte 000C2H.

Specify the full speed mode when the HS (high-speed main) mode is specified. Specify the wide voltage mode when the LS (low-speed main) mode or LV (low-voltage main) mode is specified.

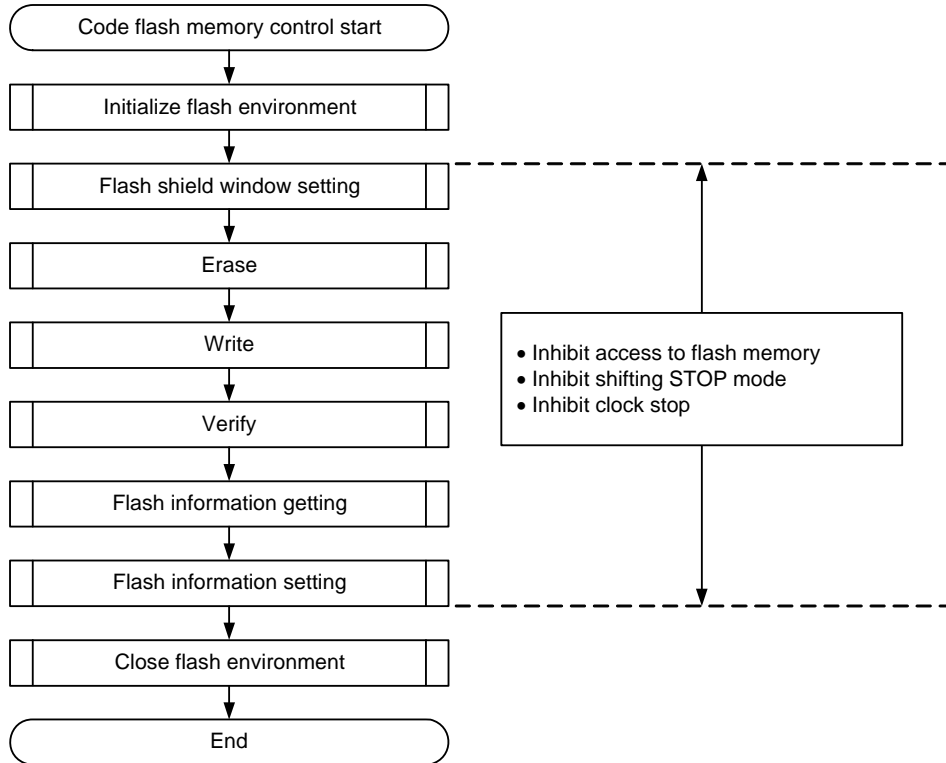
If the argument fsl_flash_voltage_u08 is 00H when the FSL_Init function of the flash self-programming library provided by Renesas Electronics is executed, full speed mode is specified. If the argument is other than 00H, the wide voltage mode is specified.

Remark Using both the wide voltage mode and full speed mode imposes no restrictions on writing, erasing, or verification.

36.6.1 Self-programming procedure

The following figure illustrates a flow for rewriting the code flash memory by using a flash self-programming library.

Figure 36 - 8 Flow of Self-Programming (Rewriting Flash Memory)



36.6.2 Boot swap function

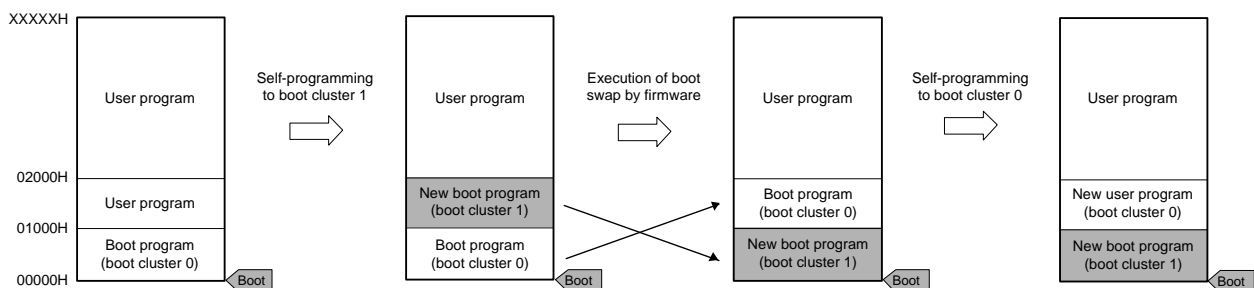
If rewriting the boot area failed by temporary power failure or other reasons, restarting a program by resetting or overwriting is disabled due to data destruction in the boot area.

The boot swap function is used to avoid this problem.

Before erasing boot cluster 0 ^{Note}, which is a boot program area, by self-programming, write a new boot program to boot cluster 1 in advance. When the program has been correctly written to boot cluster 1, swap this boot cluster 1 and boot cluster 0 by using the set information function of the firmware of the RL78 microcontroller, so that boot cluster 1 is used as a boot area. After that, erase or write the original boot program area, boot cluster 0. As a result, even if a power failure occurs while the area is being rewritten, the program is executed correctly because it is booted from boot cluster 1 to be swapped when the program is reset and started next.

Note A boot cluster is a 4 KB area and boot clusters 0 and 1 are swapped by the boot swap function.

Figure 36 - 9 Boot Swap Function

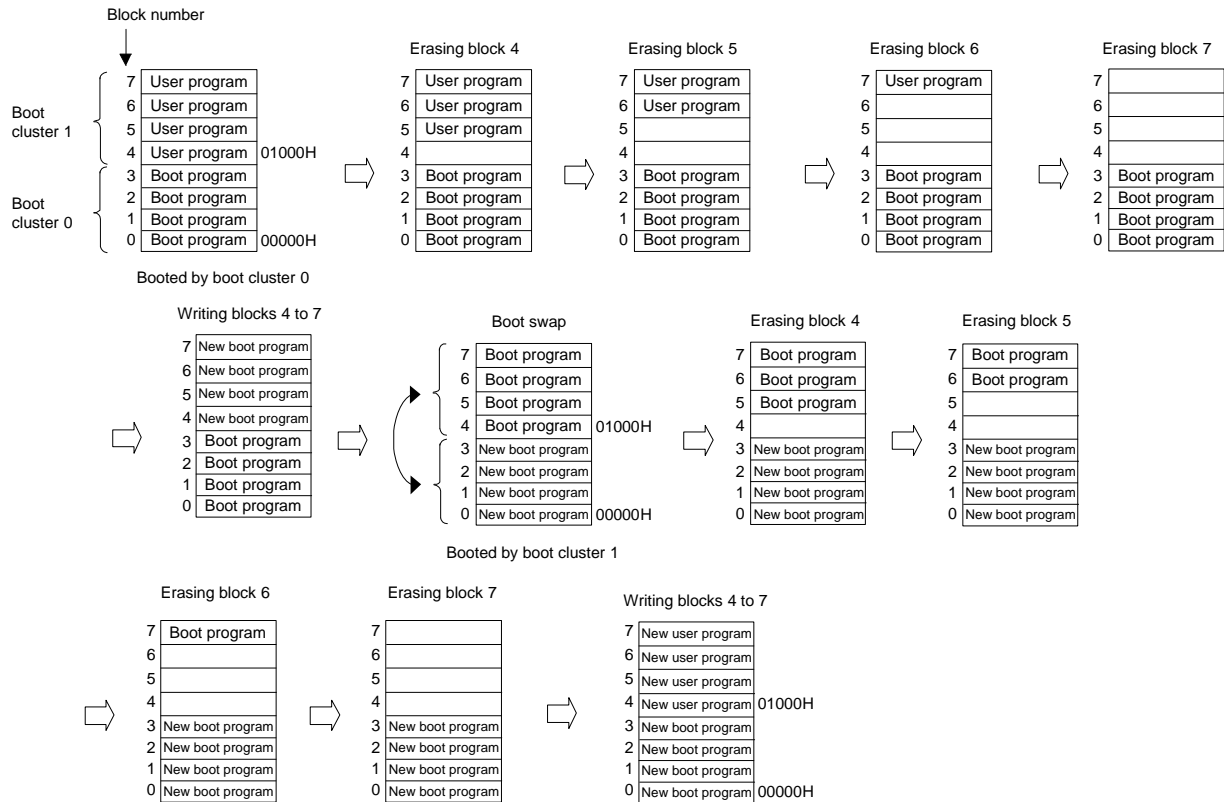


In an example of above figure, it is as follows.

Boot cluster 0: Boot area before boot swap

Boot cluster 1: Boot area after boot swap

Figure 36 - 10 Example of Executing Boot Swapping



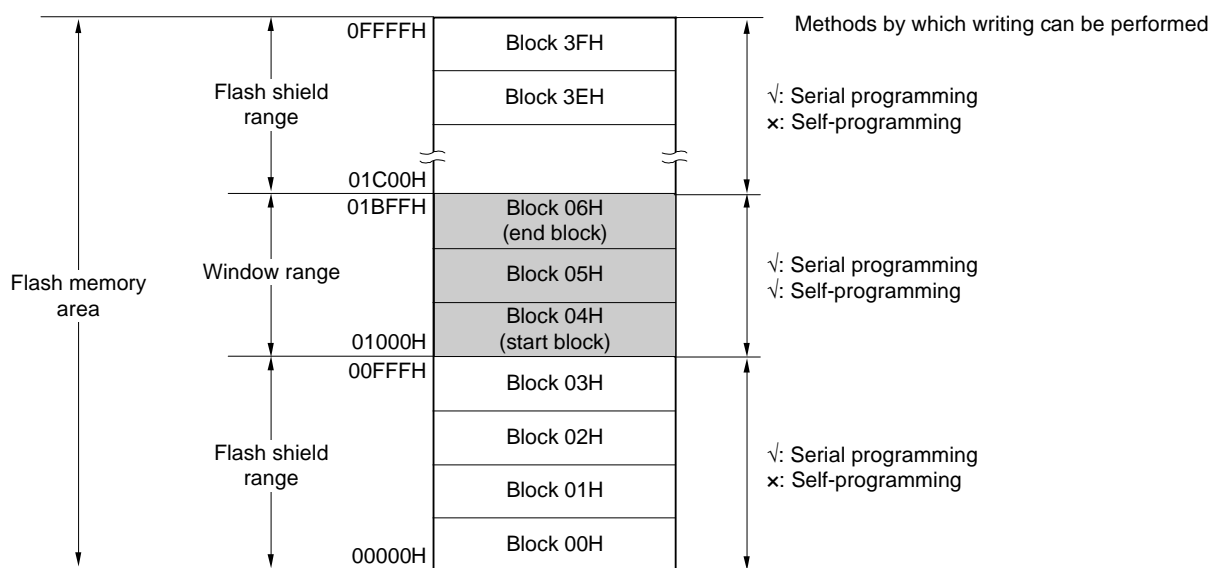
36.6.3 Flash shield window function

The flash shield window function is provided as one of the security functions for self-programming. It disables writing to and erasing areas outside the range specified as a window only during self-programming.

The window range can be set by specifying the start and end blocks. The window range can be set or changed during both serial programming and self-programming.

Writing to and erasing areas outside the window range are disabled during self-programming. During serial programming, however, areas outside the range specified as a window can be written and erased.

Figure 36 - 11 Flash Shield Window Setting Example
 (Target Devices: R5F10NLE, R5F10NME Start Block: 04H, End Block: 06H)



Caution 1. If the rewrite-prohibited area of the boot cluster 0 overlaps with the flash shield window range, prohibition to rewrite the boot cluster 0 takes priority.

Caution 2. The flash shield window can only be used for the code flash memory (and is not supported for the data flash memory).

Table 36 - 11 Relationship between Flash Shield Window Function Setting/Change Methods and Commands

Programming conditions	Window Range Setting/ Change Methods	Execution Commands	
		Block erase	Write
Self-programming	Specify the starting and ending blocks by the flash self-programming library.	Block erasing is enabled only within the window range.	Writing is enabled only within the range of window range.
Serial programming	Specify the starting and ending blocks on GUI of dedicated flash memory programmer, etc.	Block erasing is enabled also outside the window range.	Writing is enabled also outside the window range.

Remark See 36.7 Security Settings to prohibit writing/erasing during serial programming.

36.7 Security Settings

The RL78 microcontroller supports a security function that prohibits rewriting the user program written to the internal flash memory, so that the program cannot be changed by an unauthorized person.

The operations shown below can be performed using the Security Set command.

- Disabling block erase

Execution of the block erase command for a specific block in the flash memory is prohibited during serial programming. However, blocks can be erased by means of self-programming.

- Disabling write

Execution of the write command for entire blocks in the flash memory is prohibited during serial programming. However, blocks can be written by means of self-programming.

After the setting of prohibition of writing is specified, releasing the setting by the Security Release command is enabled by a reset.

- Disabling rewriting boot cluster 0

Execution of the block erase command and write command on boot cluster 0 (00000H to 00FFFFH) in the flash memory is prohibited by this setting.

The block erase, write commands, and rewriting boot cluster 0 are enabled by the default setting when the flash memory is shipped. Security can be set by serial programming and self-programming. Each security setting can be used in combination.

Table 36 - 11 shows the relationship between the erase and write commands when the RL78 microcontroller security function is enabled.

After the security settings are specified, releasing the security settings by the Security Release command is enabled by a reset.

Caution The security function of the flash programmer does not support self-programming.

Remark To prohibit writing and erasing during self-programming, use the flash shield window function (see 36.6.3 for detail).

Table 36 - 12 Relationship Between Enabling Security Function and Command

(1) During serial programming

Valid Security	Executed Command	
	Block Erase	Write
Prohibition of block erase	Blocks cannot be erased.	Can be performed. <i>Note</i>
Prohibition of writing	Blocks can be erased.	Cannot be performed.
Prohibition of rewriting boot cluster 0	Boot cluster 0 cannot be erased.	Boot cluster 0 cannot be written.

Note Confirm that no data has been written to the write area. Because data cannot be erased after block erase is prohibited, do not write data if the data has not been erased.

(2) During self-programming

Valid Security	Executed Command	
	Block Erase	Write
Prohibition of block erase	Blocks can be erased.	Can be performed.
Prohibition of writing		
Prohibition of rewriting boot cluster 0	Boot cluster 0 cannot be erased.	Boot cluster 0 cannot be written.

Remark To prohibit writing and erasing during self-programming, use the flash shield window function (see 36.6.3 for detail).

Table 36 - 13 Setting Security in Each Programming Mode

(1) During serial programming

Security	Security Setting	How to Disable Security Setting
Prohibition of block erase	Set via GUI of dedicated flash memory programmer, etc.	Cannot be disabled after set.
Prohibition of writing		Set via GUI of dedicated flash memory programmer, etc.
Prohibition of rewriting boot cluster 0		Cannot be disabled after set.

Caution Releasing the setting of prohibition of writing is enabled only when the security is not set as the block erase prohibition and the boot cluster 0 rewrite prohibition with code flash memory area and data flash memory area being blanks.

(2) During self-programming

Security	Security Setting	How to Disable Security Setting
Prohibition of block erase	Set by using flash self-programming library.	Cannot be disabled after set.
Prohibition of writing		Cannot be disabled during self-programming (set via GUI of dedicated flash memory programmer, etc. during serial programming).
Prohibition of rewriting boot cluster 0		Cannot be disabled after set.

36.8 Data Flash

36.8.1 Data flash overview

An overview of the data flash memory is provided below.

- The user program can rewrite the data flash memory by using the flash data library. For details, refer to RL78 Family Flash Data Library User's Manual.
- The data flash memory can also be rewritten through serial programming using the dedicated flash memory programmer or an external device.
- The data flash can be erased in 1-block (1 KB) units.
- The data flash can be accessed only in 8-bit units.
- The data flash can be directly read by CPU instructions.
- Instructions can be executed from the code flash memory while rewriting the data flash memory (that is, background operation (BGO) is supported).
- Because the data flash memory is an area exclusively used for data, it cannot be used to execute instructions.
- Accessing the data flash memory is not possible while rewriting the code flash memory (during self-programming).
- Manipulating the DFLCTL register is not possible while rewriting the data flash memory.
- Transition to the STOP mode is not possible while rewriting the data flash memory.

Caution 1. The data flash memory is stopped after a reset is canceled. The data flash control register (DFLCTL) must be set up in order to use the data flash memory.

Caution 2. The high-speed on-chip oscillator should be kept operating during data flash rewrite. If it is stopped, its clock should be operated (HIOSTOP = 0), and the data flash library should be executed after 65 μ s have elapsed.

Remark For the flash programming mode, see **36.6 Self-Programming**.

36.8.2 Register controlling data flash memory

36.8.2.1 Data flash control register (DFLCTL)

This register is used to enable or disable accessing to the data flash.
 The DFLCTL register is set by a 1-bit or 8-bit memory manipulation instruction.
 Reset input sets this register to 00H.

Figure 36 - 12 Format of Data flash control register (DFLCTL)

Address: F0090H After reset: 00H R/W

Symbol	7	6	5	4	3	2	1	<0>
DFLCTL	0	0	0	0	0	0	0	DFLEN

DFLEN	Data flash access control
0	Disables data flash access
1	Enables data flash access

Caution Manipulating the DFLCTL register is not possible while rewriting the data flash memory.

36.8.3 Procedure for accessing data flash memory

The data flash memory is initially stopped after a reset ends and cannot be accessed (read or programmed). To access the memory, perform the following procedure:

<1> Write 1 to bit 0 (DFLEN) of the data flash control register (DFLCTL).

<2> Wait for the setup to finish for software timer, etc.

The time setup takes differs for each main clock mode.

<Setup time for each main clock mode>

- HS (high-speed main) mode: 5 ms
- LS (low-speed main) mode: 720 ns
- LP (low-power main) mode: 720 ns
- LV (low-voltage main) mode: 10 ms

<3> After the wait, the data flash memory can be accessed.

Caution 1. Accessing the data flash memory is not possible during the setup time.

Caution 2. Transition to the STOP mode is not possible during the setup time. To enter the STOP mode during the setup time, clear DFLEN to 0 and then execute the STOP instruction.

Caution 3. The high-speed on-chip oscillator should be kept operating during data flash rewrite. If it is kept stopped, its clock should be operated (HIOSSTOP = 0), and the data flash library should be executed after 65 μ s have elapsed.

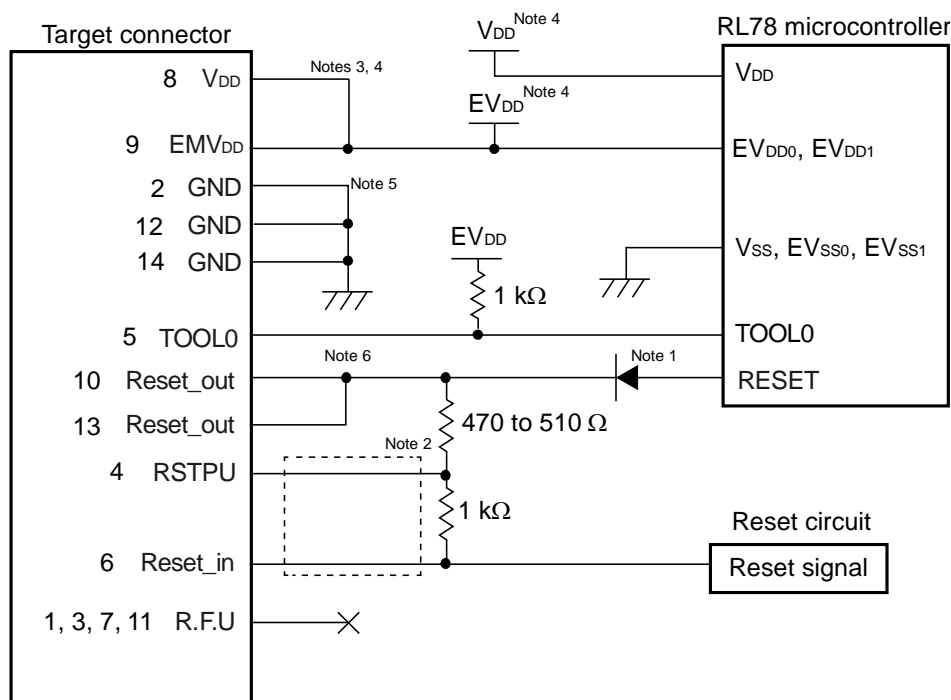
CHAPTER 37 ON-CHIP DEBUG FUNCTION

37.1 Connecting E1 On-chip Debugging Emulator

The RL78 microcontroller uses the V_{DD} , $\overline{\text{RESET}}$, TOOL0, and V_{SS} pins to communicate with the host machine via an E1 on-chip debugging emulator. Serial communication is performed by using a single-line UART that uses the TOOL0 pin.

Caution The RL78 microcontroller has an on-chip debug function, which is provided for development and evaluation. Do not use the on-chip debug function in products designated for mass production, because the guaranteed number of rewritable times of the flash memory may be exceeded when this function is used, and product reliability therefore cannot be guaranteed. Renesas Electronics is not liable for problems occurring when the on-chip debug function is used.

<R> **Figure 37-1. Example of Connections with the E1 On-chip Debugging Emulator (when the Battery Backup Function is in Use)**



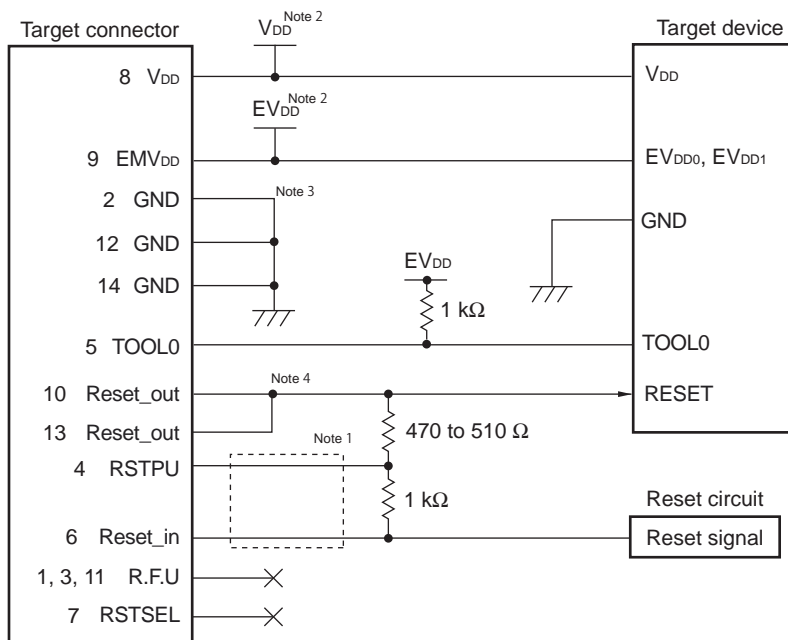
Notes 1. We recommend a BAT54 series diode from NXP Semiconductors.

- <R>
2. Need to connecting during to using the on-chip debug. Flash programming will operate in either connected or not.
 3. If the battery backup function is to be used, connect V_{DD} of the E1 emulator to EV_{DD} of the microcontroller. Do not connect V_{DD} of the microcontroller to the E1 emulator. Do not turn off power to EV_{DD} during debugging in the battery-backup mode.
 4. Depending on the number of pins the microcontroller has, V_{DD} and EV_{DD} may be multiplexed on the same pin. In this case, connect both V_{DD} and EMV_{DD} of the E1 emulator to the power supply pin of the microcontroller. Do not turn off power to these pins during debugging in the battery-backup mode.
- <R>
5. Be sure to connect pins 2, 12, and 14 of the E1 emulator to the ground pins on the user system. As well as being used as electrical ground pins, these pins are used for monitoring connection of an E1 or E20 emulator to the user system, for checking whether the battery backup function is or is not in use, and for other purposes.
 6. Pins 10 and 13 of the E1 emulator must be connected.

Caution The values in the connection example are for reference. Before proceeding with flash programming for mass production, sufficiently evaluate the values in use to confirm that they satisfy the specifications of the target device.

Remark With products not provided with an EV_{DD0}, EV_{DD1}, EV_{SS0}, or EV_{SS1} pin, replace EV_{DD0} and EV_{DD1} with V_{DD}, or replace EV_{SS0} and EV_{SS1} with V_{SS}.

Figure 37-2. Example of Connections with the E1 On-chip Debugging Emulator (when the Battery Backup Function is Not in Use)



- Notes**
1. These connections must be made if the on-chip debugging function is to be used. Flash programming can proceed whether or not these connections are made.
 2. Depending on the number of pins the microcontroller has, V_{DD} and EV_{DD} may be multiplexed on the same pin.
In this case, connect both V_{DD} and EMV_{DD} of the E1 emulator to the power supply pin of the microcontroller.
 3. Be sure to connect pins 2, 12, and 14 of the E1 emulator to the ground pins on the user system.
As well as being used as electrical ground pins, these pins are used for monitoring connection of an E1 or E20 emulator to the user system.
 4. Pins 10 and 13 of the E1 emulator must be connected.

Caution The values in the connection example are for reference. Before proceeding with flash programming for mass production, sufficiently evaluate the values in use to confirm that they satisfy the specifications of the target device. Do not use the battery backup function when the circuits for the connection are as shown in the figure.

Remark With products not provided with an EV_{DD0} , EV_{DD1} , EV_{SS0} , or EV_{SS1} pin, replace EV_{DD0} and EV_{DD1} with V_{DD} , or replace EV_{SS0} and EV_{SS1} with V_{SS} .

37.2 On-Chip Debug Security ID

The RL78 microcontroller has an on-chip debug operation control bit in the flash memory at 000C3H (see **CHAPTER 35 OPTION BYTE**) and an on-chip debug security ID setting area at 000C4H to 000CDH, to prevent third parties from reading memory content.

When the boot swap function is used, also set a value that is the same as that of 010C3H and 010C4H to 010CDH in advance, because 000C3H, 000C4H to 000CDH and 010C3H, and 010C4H to 010CDH are switched.

Table 37-1. On-Chip Debug Security ID

Address	On-Chip Debug Security ID
000C4H to 000CDH	Any ID code of 10 bytes
010C4H to 010CDH	

37.3 Securing of User Resources

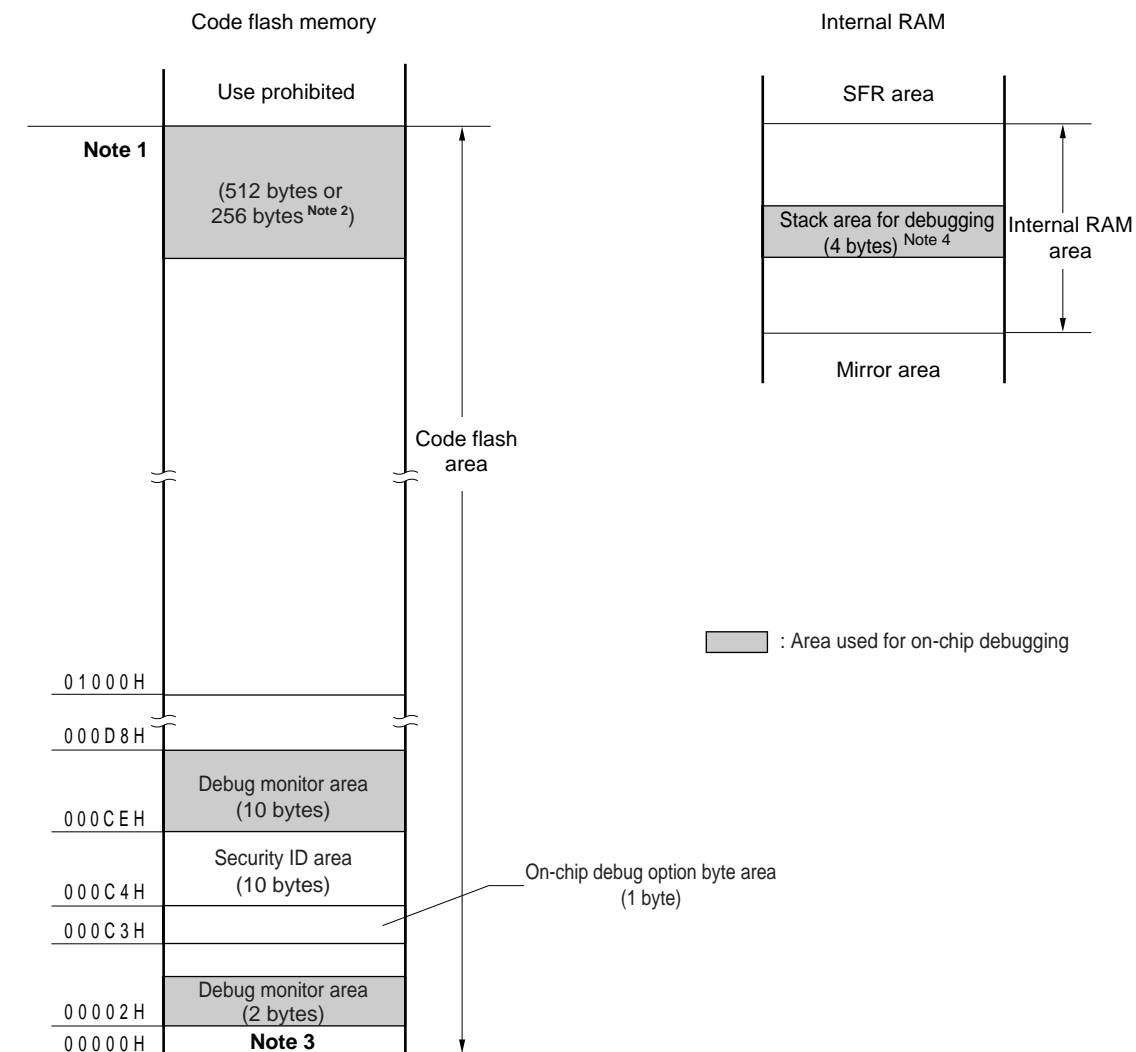
To perform communication between the RL78 microcontroller and E1 on-chip debugging emulator, as well as each debug function, the securing of memory space must be done beforehand.

If Renesas Electronics assembler or compiler is used, the items can be set by using link options.

(1) Securement of memory space

The shaded portions in Figure 37-3 are the areas reserved for placing the debug monitor program, so user programs or data cannot be allocated in these spaces. When using the on-chip debug function, these spaces must be secured so as not to be used by the user program. Moreover, this area must not be rewritten by the user program.

Figure 37-3. Memory Spaces Where Debug Monitor Programs Are Allocated



Notes 1. Address differs depending on products as follows.

Products (code flash memory capacity)	Address of Note 1
R5F10NME, R5F10NLE	0FFFFH
R5F10NPG, R5F10NMG, R5F10NLG	1FFFFH
R5F10NMJ, R5F10NPJ	3FFFFH

<R>

- When real-time RAM monitor (RRM) function and dynamic memory modification (DMM) function are not used, it is 256 bytes.
- In debugging, reset vector is rewritten to address allocated to a monitor program.
- Since this area is allocated immediately before the stack area, the address of this area varies depending on the stack increase and decrease. That is, 4 extra bytes are consumed for the stack area used. When using self-programming, 12 extra bytes are consumed for the stack area used.

CHAPTER 38 BCD CORRECTION CIRCUIT

38.1 BCD Correction Circuit Function

The result of addition/subtraction of the BCD (binary-coded decimal) code and BCD code can be obtained as BCD code with this circuit.

The decimal correction operation result is obtained by performing addition/subtraction having the A register as the operand and then adding/subtracting the BCD correction result register (BCDADJ).

38.2 Registers Used by BCD Correction Circuit

The BCD correction circuit uses the following registers.

- BCD correction result register (BCDADJ)

38.2.1 BCD correction result register (BCDADJ)

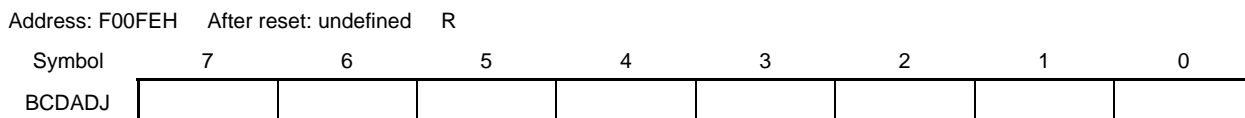
The BCDADJ register stores correction values for obtaining the add/subtract result as BCD code through add/subtract instructions using the A register as the operand.

The value read from the BCDADJ register varies depending on the value of the A register when it is read and those of the CY and AC flags.

The BCDADJ register is read by an 8-bit memory manipulation instruction.

Reset input sets this register to undefined.

Figure 38-1. Format of BCD Correction Result Register (BCDADJ)



38.3 BCD Correction Circuit Operation

The basic operation of the BCD correction circuit is as follows.

(1) Addition: Calculating the result of adding a BCD code value and another BCD code value by using a BCD code value

- <1> The BCD code value to which addition is performed is stored in the A register.
- <2> By adding the value of the A register and the second operand (value of one more BCD code to be added) as are in binary, the binary operation result is stored in the A register and the correction value is stored in the BCD correction result register (BCDADJ).
- <3> Decimal correction is performed by adding in binary the value of the A register (addition result in binary) and the BCDADJ register (correction value), and the correction result is stored in the A register and CY flag.

Caution The value read from the BCDADJ register varies depending on the value of the A register when it is read and those of the CY and AC flags. Therefore, execute the instruction <3> after the instruction <2> instead of executing any other instructions. To perform BCD correction in the interrupt enabled state, saving and restoring the A register is required within the interrupt function. PSW (CY flag and AC flag) is restored by the RETI instruction.

An example is shown below.

Examples 1: $99 + 89 = 188$

Instruction	A Register	CY Flag	AC Flag	BCDADJ Register
MOV A, #99H ; <1>	99H	–	–	–
ADD A, #89H ; <2>	22H	1	1	66H
ADD A, !BCDADJ ; <3>	88H	1	0	–

Examples 2: $85 + 15 = 100$

Instruction	A Register	CY Flag	AC Flag	BCDADJ Register
MOV A, #85H ; <1>	85H	–	–	–
ADD A, #15H ; <2>	9AH	0	0	66H
ADD A, !BCDADJ ; <3>	00H	1	1	–

Examples 3: $80 + 80 = 160$

Instruction	A Register	CY Flag	AC Flag	BCDADJ Register
MOV A, #80H ; <1>	80H	–	–	–
ADD A, #80H ; <2>	00H	1	0	60H
ADD A, !BCDADJ ; <3>	60H	1	0	–

(2) Subtraction: Calculating the result of subtracting a BCD code value from another BCD code value by using a BCD code value

- <1> The BCD code value from which subtraction is performed is stored in the A register.
- <2> By subtracting the value of the second operand (value of BCD code to be subtracted) from the A register as is in binary, the calculation result in binary is stored in the A register, and the correction value is stored in the BCD correction result register (BCDADJ).
- <3> Decimal correction is performed by subtracting the value of the BCDADJ register (correction value) from the A register (subtraction result in binary) in binary, and the correction result is stored in the A register and CY flag.

Caution The value read from the BCDADJ register varies depending on the value of the A register when it is read and those of the CY and AC flags. Therefore, execute the instruction <3> after the instruction <2> instead of executing any other instructions. To perform BCD correction in the interrupt enabled state, saving and restoring the A register is required within the interrupt function. PSW (CY flag and AC flag) is restored by the RETI instruction.

An example is shown below.

Example: 91 – 52 = 39

Instruction	A Register	CY Flag	AC Flag	BCDADJ Register
MOV A, #91H ; <1>	91H	–	–	–
SUB A, #52H ; <2>	3FH	0	1	06H
SUB A, !BCDADJ ; <3>	39H	0	0	–

CHAPTER 39 32-BIT MULTIPLY-ACCUMULATOR

39.1 Function of 32-bit Multiply-accumulator

The 32-bit multiply-accumulator has the following function.

- 32 bits × 32 bits = 64 bits (Unsigned multiply)
- 32 bits × 32 bits = 64 bits (Signed multiply)
- 32 bits × 32 bits + 64 bits = 64 bits (Unsigned multiply-accumulate)
- 32 bits × 32 bits + 64 bits = 64 bits (Signed multiply-accumulate)
- Fixed point mode supported
- Interrupt output for the multiply-accumulation result in the case of overflow/underflow

The data format is 2's complement form.

- Signed (The highest-order bit is the signed bit.)
 - 7FFF (hexadecimal digit) = 32767 (decimal digit)
 - 0001 (hexadecimal digit) = 1 (decimal digit)
 - 0000 (hexadecimal digit) = 0 (decimal digit)
 - FFFF (hexadecimal digit) = -1 (decimal digit)
 - 8000 (hexadecimal digit) = -32768 (decimal digit)
- Unsigned
 - FFFF (hexadecimal digit) = 65535 (decimal digit)
 - 0000 (hexadecimal digit) = 0 (decimal digit)

39.2 Configuration of 32-bit Multiply-accumulator

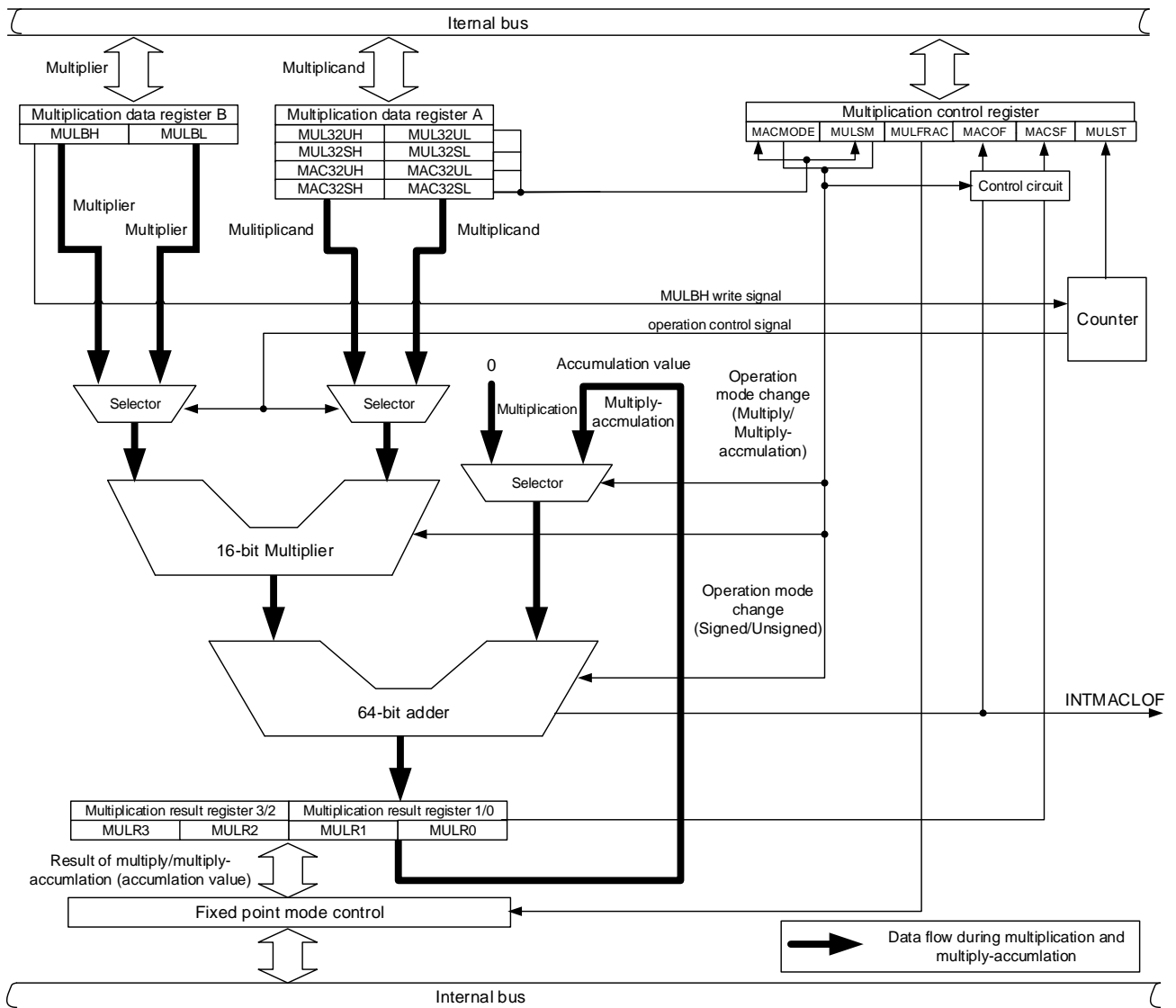
The 32-bit multiply-accumulator consists of the following hardware.

Table 39-1. Configuration of 32-bit Multiply-accumulator

Item	Configuration
Registers	Multiplication data register B (L) (MULBL)
	Multiplication data register B (H) (MULBH)
	Multiplication data register A (L) (Unsigned) (MUL32UL)
	Multiplication data register A (H) (Unsigned) (MUL32UH)
	Multiplication data register A (L) (Signed) (MUL32SL)
	Multiplication data register A (H) (Signed) (MUL32SH)
	Multiply-accumulation data register A (L) (Unsigned) (MAC32UL)
	Multiply-accumulation data register A (H) (Unsigned) (MAC32UH)
	Multiply-accumulation data register A (L) (Signed) (MAC32SL)
	Multiply-accumulation data register A (H) (Signed) (MAC32SH)
	Multiplication result register 0 (MULR0)
	Multiplication result register 1 (MULR1)
	Multiplication result register 2 (MULR2)
	Multiplication result register 3 (MULR3)
	Multiplication control register (MULC)
	Peripheral enable register 2 (PER2)
Peripheral reset control register 2 (PRR2)	

Figure 39-1 shows a block diagram of 32-bit multiply-accumulator.

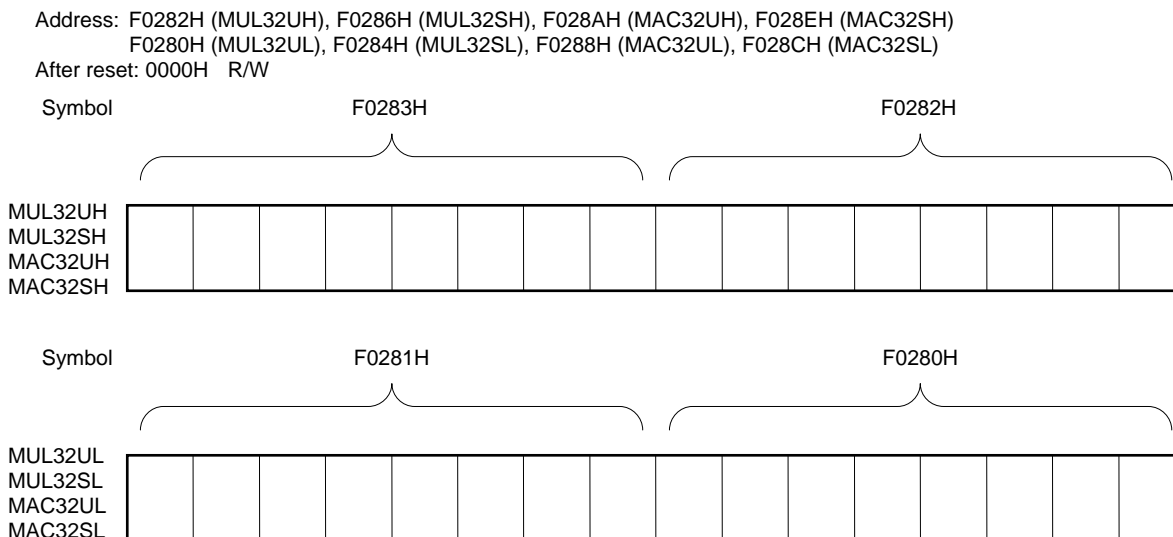
Figure 39-1. Block Diagram of 32-bit Multiply-accumulator



39.2.1 Multiplication data register A (MUL32UH, MUL32UL, MUL32SH, MUL32SL, MAC32UH, MAC32UL, MAC32SH, MAC32SL)

Multiplication data register A specifies the multiplicand used for multiplication and multiply-accumulation.
 Multiplication data register A can be set by a 16-bit manipulation instruction.
 Reset signal generation clears this register to 0000H.

**Figure 39-2. Format of Multiplication Data Register A
 (MUL32UH, MUL32UL, MUL32SH, MUL32SL, MAC32UH, MAC32UL, MAC32SH, MAC32SL)**



Caution Do not rewrite the values of the multiplication data register A (MUL32UH, MUL32UL, MUL32SH, MUL32SL, MAC32UH, MAC32UL, MAC32SH, MAC32SL) during the operation processing (when the bit 0 (MULST) of the multiplication control register (MULC) = 1). If this is done, the operation result will be an undefined value.

Multiplication data register A stores the written value. The MACMODE and MULSM bits of the MULC register are also rewritten with the values of the supported operation mode.

For the multiplication data register A, the operation mode can be switched by the register that specifies the multiplicand since the different register name and register address are set for each operation mode. The MACMODE and MULSM bits of the MULC register are also rewritten with the values of the supported operation mode.

For the MUL32UL, MUL32UH, MUL32SL, MUL32SH, MAC32UL, MAC32UH, MAC32SL, and MAC32SH registers, all the register values are rewritten when rewriting one register value since a common register is used for these registers.

The following table shows the relationship between the operation mode and register name.

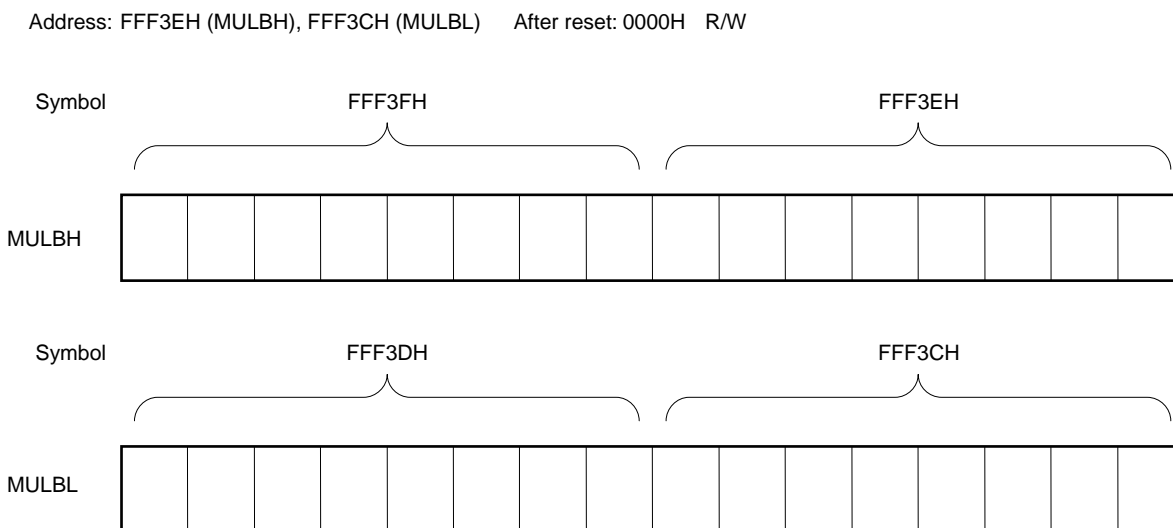
Table 39-2. Relationship between Operation Mode and Register Name

Operation Mode	Register Name of Multiplication Data Register A	
	Bits 31 to 16 (MULAH)	Bits 15 to 0 (MULAL)
Multiplication mode (unsigned)	MUL32UH	MUL32UL
Multiplication mode (signed)	MUL32SH	MUL32SL
Multiply-accumulation mode (unsigned)	MAC32UH	MAC32UL
Multiply-accumulation mode (signed)	MAC32SH	MAC32SL

39.2.2 Multiplication data register B (MULBL, MULBH)

Multiplication data register B specifies the multiplier used for multiplication and multiply-accumulation. Multiplication data register B can be set by a 16-bit manipulation instruction. Reset signal generation clears this register to 0000H.

Figure 39-3. Format of Multiplication Data Register B (MULBH, MULBL)



- Cautions**
1. Do not rewrite the values of the multiplication data register B with software during the operation (when bit 0 (MULST) of the multiplication control register (MULC) = 1). If this is done, the operation result will be an undefined value.
 2. The operation starts by writing to the higher 16 bit (MULBH) of the multiplication data register B. Be sure to set the multiplier in the order from MULBL to MULBH. (The operation processing exits after the 5th cycle from writing of the MULBH register.)

The multiplication data register B is used as a common register in all the operation modes. The following table shows the relationship between the operation mode and register name.

Table 39-3. Relationship between Operation Mode and Register Name

Operation Mode	Register Name of Multiplication Data Register B	
	Bits 31 to 16 (MULBH)	Bits 15 to 0 (MULBL)
Multiplication mode (unsigned)	MULBH	MULBL
Multiplication mode (signed)		
Multiply-accumulation mode (unsigned)		
Multiply-accumulation mode (signed)		

39.2.3 Multiplication result register (MULR0, MULR1, MULR2, MULR3)

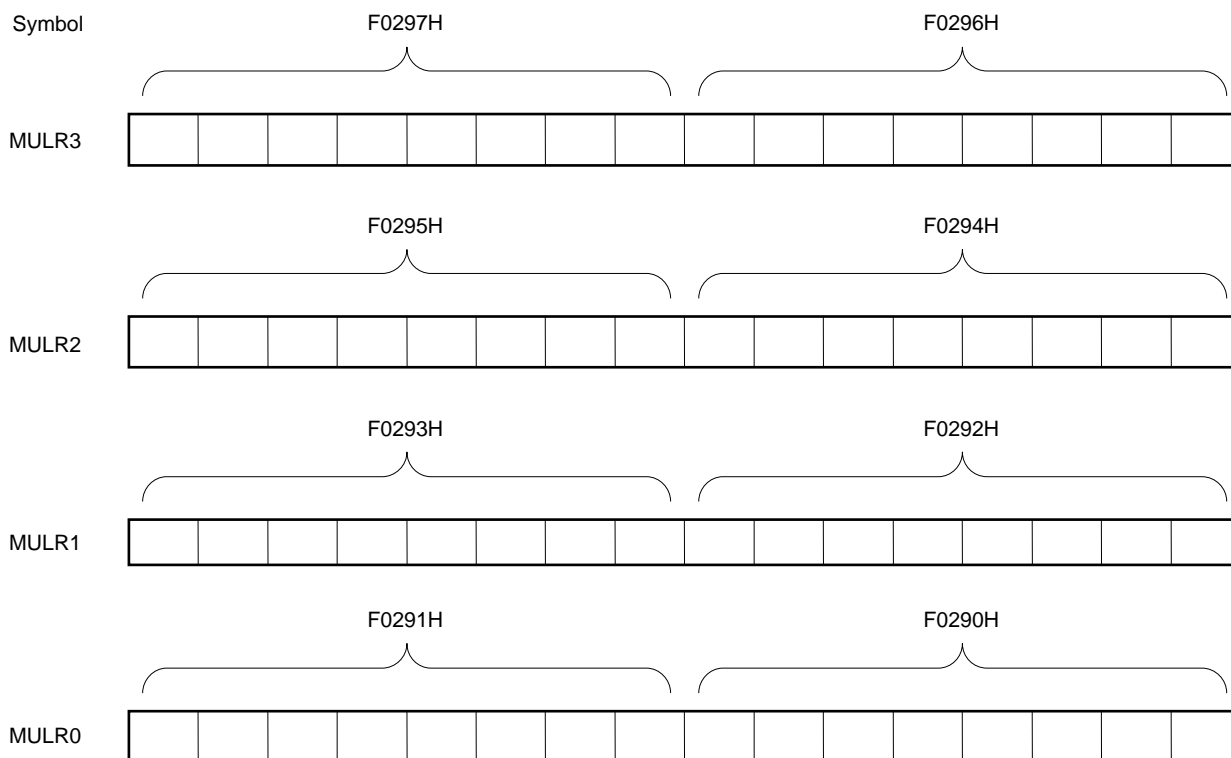
Multiplication result register is the register where the operation result values are stored.

Multiplication result register can be set by a 16-bit manipulation instruction.

Reset signal generation clears this register to 0000H.

Figure 39-4. Format of Multiplication Result Register (MULR0, MULR1, MULR2, MULR3)

Address: F0290H (MULR0), F0292H (MULR1), F0294H (MULR2), F0296H (MULR3) After reset: 0000H R/W



- Cautions**
1. Do not rewrite the value of the multiplication result register during the operation processing (when bit 0 (MULST) of the multiplication control register (MULC) = 1). If this is done, the operation result will be an undefined value.
 2. When the value of the multiplication result register is read out during the operation processing (MULST = 1), the value is not guaranteed. The values of the MULR3 to MULR0 registers can be read out even during the operation processing if the number of clocks required for the operation (refer to 39.4.2 Number of clocks for result availability) has been met in each multiplication result register since the operation results are stored in the MULR0, MULR1, MULR2, and MULR3 registers in this order (results are stored in the MULR2 and MULR3 registers simultaneously).

The multiplication result register is used as a common register in all the operation modes.

The following table shows the relationship between the operation mode and register name.

Table 39-4. Relationship between Operation Mode and Register Name

Operation Mode	Multiplication Result Register Name			
	Bits 63 to 48	Bits 47 to 32	Bits 31 to 16	Bits 15 to 0
Multiplication mode (unsigned)	MULR3	MULR2	MULR1	MULR0
Multiplication mode (signed)				
Multiply-accumulation mode (unsigned)				
Multiply-accumulation mode (signed)				

The operation result (multiplication) is stored for the multiplication, and the operation result (accumulation) is stored for the multiply-accumulation. Additionally, the accumulation initial value can be set for the multiply-accumulation.

Table 39-5. Details of Storing of Operation Modes and Multiplication Result Registers

Operation Mode	Setting	Operation Result
Multiplication mode (unsigned)	–	MULR3 to MULR0: Multiplication (unsigned)
Multiplication mode (signed)	–	MULR3 to MULR0: Multiplication (signed)
Multiply-accumulation mode (unsigned)	MULR3 to MULR0: Accumulation initial value (unsigned)	MULR3 to MULR0: Accumulation value (unsigned)
Multiply-accumulation mode (signed)	MULR3 to MULR0: Accumulation initial value (signed)	MULR3 to MULR0: Accumulation value (signed)

If exceeding the maximum value of the value range that can be handled in 64 bit (= overflow), or if dropping below the minimum value (= underflow), the value is reversed, and the values plus overflow/underflow values are stored in the MULR3 to MULR0 registers.

■ Unsigned

- In case of overflow
Processing) $2^{64} + \text{MULR}[63:0]$

Example)

$$\text{FFFF FFFF FFFF FFFFh} + \text{0000 0000 0000 0001h} = \text{0000 0000 0000 0000h}$$

■ Signed

- In case of overflow
Processing) $2^{63} + \text{MULR}[62:0]$

Example)

$$\text{7FFF FFFF FFFF FFFFh} + \text{0000 0000 0000 0001h} = \text{8000 0000 0000 0000h}$$

- In case of underflow
Processing) $-2^{63} + \text{MULR}[62:0]$

Example)

$$\text{8000 0000 0000 0000h} + \text{FFFF FFFF FFFF FFFFh} = \text{7FFF FFFF FFFF FFFFh}$$

39.3 Register Controlling 32-bit Multiply-accumulator

32-bit multiply-accumulator is controlled by the following registers.

- Peripheral enable register 2 (PER2)
- Peripheral reset control register 2 (PRR2)
- Multiplication control register (MULC)

39.3.1 Peripheral enable register 2 (PER2)

This register is used to enable or disable supplying the clock to the peripheral hardware. Clock supply to a hardware macro that is not used is stopped in order to reduce the power consumption and noise.

When the 32-bit multiply-accumulator is used, be sure to set bit 2 (MACEN) of this register to 1.

The PER2 register can be set by a 1-bit or 8-bit memory manipulation instruction.

Reset signal generation clears this register to 00H.

Figure 39-5. Format of Peripheral enable register 2 (PER2)

Address: F00FCH After reset: 00H R/W

Symbol	<7>	<6>	5	4	3	<2>	1	<0>
PER2	TMKAEN	OSDCEN	0	0	0	MACEN	0	VRTCEN

MACEN	Control of 32-bit multiplier and accumulator input clock supply
0	Stops input clock supply. • SFR used by the 32-bit multiplier and accumulator cannot be written. The read value is 00H. However, the SFR is not initialized. ^{Note}
1	Enables input clock supply. • SFR used by the 32-bit multiplier and accumulator can be read and written.

Note To initialize the 32-bit multiply-accumulator and the SFR used by the 32-bit multiply-accumulator, use bit 2 (MACRES) of PRR2.

39.3.2 Peripheral reset control register 2 (PRR2)

This register is used for individual reset control of each peripheral hardware.

This MCU controls reset and reset release of each peripheral hardware supported by the PRR2 register.

To reset the 32-bit multiply-accumulator, be sure to set bit 2 (MACRES) to 1.

The PRR2 register can be set by a 1-bit or 8-bit memory manipulation instruction.

Reset signal generation clears this register to 00H.

Figure 39-6. Format of Peripheral reset control register 2 (PRR2)

Address: F00FDH After reset: 00H R/W

Symbol	<7>	<6>	5	4	3	<2>	1	0
PRR2	TMKARES	OSDCRES	0	0	0	MACRES	0	0

MACRES	Reset control of 32-bit multiply-accumulator
0	32-bit multiply-accumulator reset release
1	32-bit multiply-accumulator reset state

39.3.3 Multiplication control register (MULC)

MULC register is the 8-bit register that controls the operation of the 32-bit multiply-accumulator.

MULC register is set by 1-bit or 8-bit memory manipulation instruction.

However, for the overflow/underflow flag (MACOF) of the multiply-accumulation result (accumulation value), sign flag (MACSF) of the multiply-accumulation result (accumulation value), and the operation status flag (MULST), only the read-out operation is enabled.

Reset signal generation clears this register to 00H.

Figure 39-7. Format of Multiplication Control Register (MULC) (1/2)

Address: F029AH After reset: 00H R/W^{Note}

Symbol	<7>	<6>	5	<4>	3	<2>	<1>	<0>
MULC	MACMODE	MULSM	0	MULFRAC	0	MACOF	MACSF	MULST

MACMODE	MULSM	Selection of operation mode
0	0	Multiplication mode (signed) (default)
0	1	Multiplication mode (signed)
1	0	Multiply-accumulation mode (unsigned)
1	1	Multiply-accumulation mode (signed)

The operation mode is automatically switched by the address of the multiplication data register A to be specified.

Reading out this bit enables to check the operation mode.

Writing in this bit enables to specify the operation mode as well.

MULFRAC	Selection of fixed point mode
0	Disabled
1	Enabled

For details of the fixed point mode, refer to **39.4.6 Fixed point mode**.

MACOF	Overflow/underflow flag of multiply-accumulation result (accumulation value)
0	No overflow/underflow occurred.
1	Overflow/underflow occurred.

[Conditions for setting]

- Multiply-accumulation mode (unsigned)
If exceeding the accumulation value FFFF FFFF FFFF FFFFh
- Multiply-accumulation mode (signed)
If the result is the negative value exceeding 7FFF FFFF FFFF FFFFh after adding the positive multiplication value to the positive accumulation value
If the result is the positive value exceeding 8000 0000 0000 0000h after adding the negative multiplication value to the negative accumulation value

[Timing of setting/clearing]

- At finish of operation (MULST = 1 → 0)

Figure 39-7. Format of Multiplication Control Register (MULC) (2/2)

MACSF	Sign flag of multiply-accumulation result (accumulation value)
0	Positive accumulation value
1	Negative accumulation value
Multiply-accumulation mode (unsigned): Always 0	
Multiply-accumulation mode (signed): Displays the sign bit of the accumulation value.	

MULST	Operation processing status bit
0	Completion of operation processing
1	During operation processing
The operation starts by writing to the higher 16 bit (MULBH) of the multiplication data register B.	
The MULST bit is set (1) at start of the operation, and cleared (0) at completion of 5 cycles.	

Note Bits 0 to 2 are Read only.

Caution Do not rewrite the value of the multiplication control register (MULC) during the operation processing (MULST = 1). Otherwise, the MACOF and MACSF bits of the multiplication result register will be undefined values.

39.4 Operations of 32-bit Multiply-accumulator

39.4.1 Basic operation

The register configuration shows as follow when multiplication or multiply-accumulation is executed.

■ Register configuration during unsigned multiplication

<Multiplier A>		<Multiplier B>		<Product>
32-bit		32-bit		64-bit
Unsigned		Unsigned		Unsigned
[MUL32UH, MUL32UL]	×	[MDBH, MDBL]	=	[MULR3, MULR2, MULR1, MULR0]

■ Register configuration during signed multiplication

<Multiplier A>		<Multiplier B>		<Product>
32-bit		32-bit		64-bit
Signed		Signed		Signed
[MUL32SH, MUL32SL]	×	[MDBH, MDBL]	=	[MULR3, MULR2, MULR1, MULR0]

■ Register configuration during unsigned multiply-accumulation

<Multiplier A>		<Multiplier B>		<Accumulated value>		<Product>
32-bit		32-bit		64-bit		64-bit
Unsigned		Unsigned		Unsigned		Unsigned
[MAC32UH, MAC32UL]	×	[MDBH, MDBL]	+	[MULR3, MULR2, MULR1, MULR0]	=	[MULR3, MULR2, MULR1, MULR0]

■ Register configuration during signed multiply-accumulation

<Multiplier A>		<Multiplier B>		<Accumulated value>		<Product>
32-bit		32-bit		64-bit		64-bit
Signed		Signed		Signed		Signed
[MAC32SH, MAC32SL]	×	[MDBH, MDBL]	+	[MULR3, MULR2, MULR1, MULR0]	=	[MULR3, MULR2, MULR1, MULR0]

39.4.2 Number of clocks for result availability

In case of multiplication or multiply-accumulation, the calculation is started automatically by setting upper 16-bit of the multiplier data (MULBH). Table 39-2 gives the number of clocks necessary to calculation.

Table 39-2. Number of Clocks Necessary to Calculation

Operation Mode	Operation	The Number of Clocks Necessary to Calculation				
		MULR0	MULR1	MULR2	MULR3	MACOF MACSF
Unsigned multiply	32 bits × 32 bits	2	4	5	5	5
Signed multiply	32 bits × 32 bits	2	4	5	5	5
Unsigned multiply-accumulate	32 bits × 32 bits + 64 bits	2	4	5	5	5
Signed multiply-accumulate	32 bits × 32 bits + 64 bits	2	4	5	5	5

Remark There is no difference in the clock number between the enabled and disabled fixed point modes.

39.4.3 Switch of operation mode

Writing the multiplicand in the multiplication data register A switches the operation mode. MACMODE (bit 7) and MULSM (bit 6) of the multiplication control register (MULC) enable to switch the modes and to check the operation mode. Hold the lastly-written mode so that the multiplication processing can be executed consecutively when writing in the multiplication data register B (H). The initial value is "Unsigned multiplication mode".

39.4.4 Multiplication operation

- The multiplication automatically starts when setting the multiplier in the MULBH register. The operation does not start even when setting the MULBL register.
- By setting the multiplicand in the multiplication data register A, the operation mode is switched automatically. However, the operation does not start at this time.
- The MULST bit is set to 1 after starting the operation, and the bit is cleared to 0 after completion of the operation.
- Interrupt does not occur after completion of the operation.

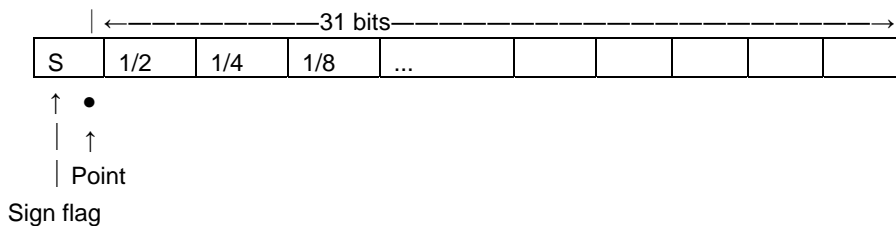
39.4.5 Multiply-accumulation operation

- The multiply-accumulation automatically starts when setting the multiplier in the MULBH register. The operation does not start even when setting the MULBL register.
- By setting the multiplicand in the multiplication data register A, the operation mode is switched automatically. However, the operation does not start at this time.
- The MULST bit is set to 1 after starting the operation, and the bit is cleared to 0 after completion of the operation.
- In case of overflow/underflow of the accumulation result after completion of the operation, interrupt is output.

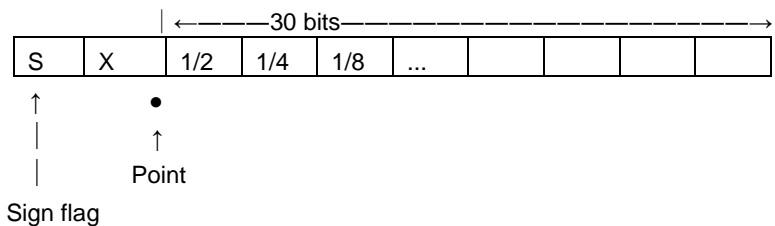
39.4.6 Fixed point mode

Fixed point mode supports the Q format.

(Example) Q31 format -1.0 to $0.9999999999534 \approx 1.0$



(Example) Q30 format -2.0 to $1.9999999999069 \approx 2.0$



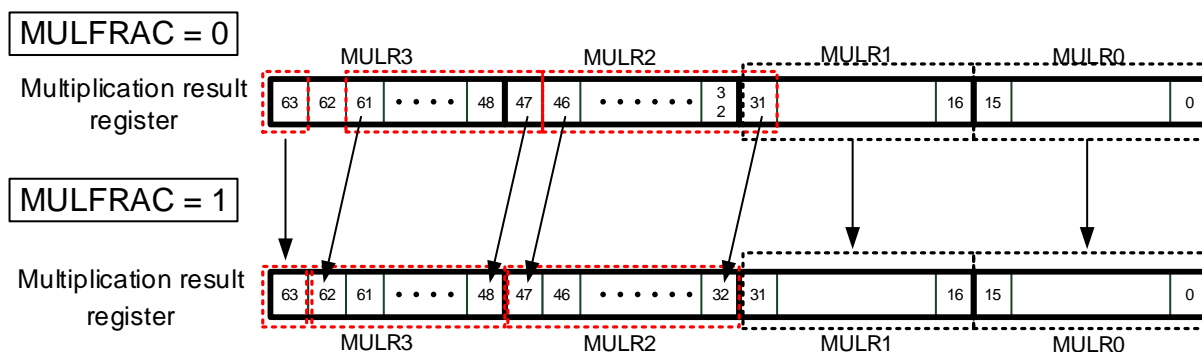
When executing multiplication of two 32-bit fixed points in the Q31 format, the operation result is stored in the multiplication result registers (MULR3 to MULR0) as the Q62 format. To manually covert into the Q31 format, the lower 31 bit of the operation result and extended sign bit must be removed. When the CPU reads the multiplication result registers (MULR3 and MULR2) with the fixed point mode enabled (MULFRAC = 1), the value of the operation result shifted to the left for 1 bit can be read out. By shifting the operation result to the left for 1 bit, the redundant sign bit is automatically removed, and the operation result in the Q31 format can be obtained.

In the fixed point mode, the value of the multiplication result register itself is not rewritten. Therefore, change of the fixed point mode flag value enables to read out both the Q31-format value shifted to the left for 1 bit and the operation result that is not shifted to the left.

39.4.7 Operation of fixed point mode

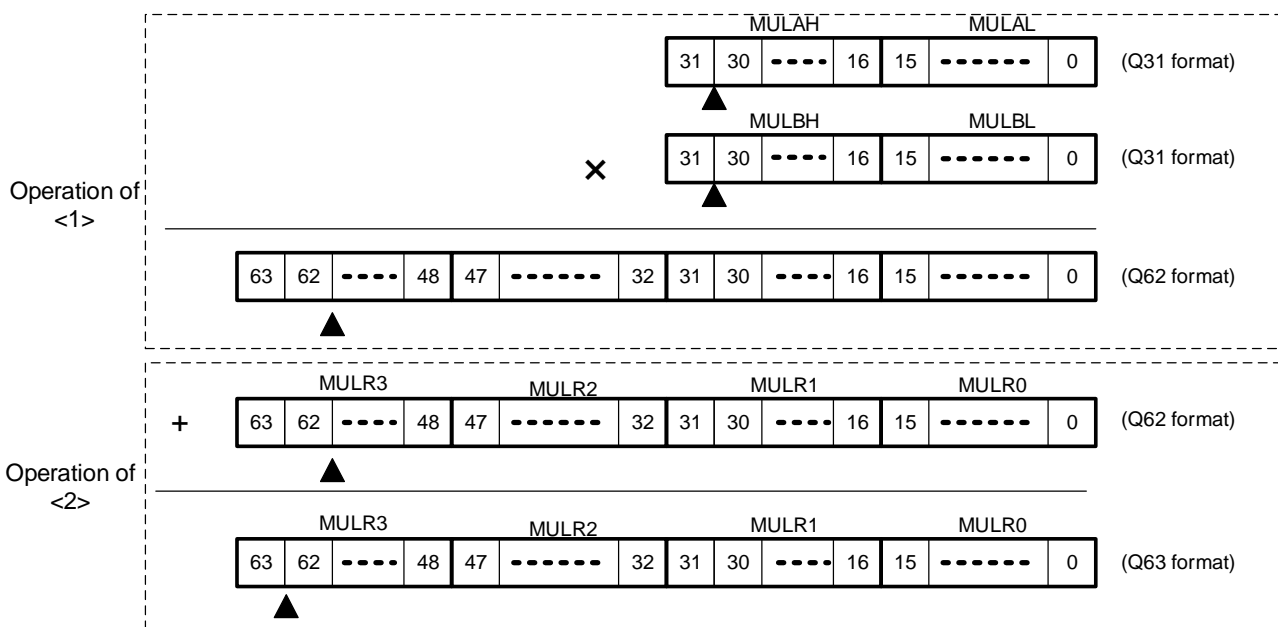
The operation is executed in the same way as the normal operation. The result of reading the multiplication result register only when the fixed point mode is enabled is shown below:

In case of MULFRAC = 1 Value at reading MULR3 = {MULR3[15], MULR3[13:0], MULR2[15]}
 Value at reading MULR2 = {MULR2[14:0], MULR1[15]}
 Value at reading MULR1 = {MULR1[15:0]}
 Value at reading MULR0 = {MULR0[15:0]}



In case of the fixed point mode (MULFRAC = 1), fill MULA and MULB in the Q31 format. For multiply-accumulation, enter the accumulation initial value in the Q62 format (= 31 (31 format of MULA) + 31 (31 format of MULB)). At this time, MULR3 to MULR0 in the Q62 format must be filled since MULR3 to MULR0 must be filled according to the format output from MULA × MULB. An example is shown below:

Example) For multiply-accumulation {MULAH, MULAL} × {MULBH, MULBL} + {MULR3, MULR2, MULR1, MULR0}



Caution The values of the MULR1 and MULR0 registers in the fixed point mode (MULFRAC = 1) is the lower 32 bit of the Q62 format that is not shifted to the left. Unless carry/borrow occurs from bit 62 of the multiplication result register with the fixed point mode disabled, interrupt of overflow/underflow does not occur even in the fixed point mode (MULFRAC = 1).

39.4.8 Interrupt

In case of overflow/underflow of the multiply-accumulation result, interrupt signal is generated.

39.5 Operation of 32-bit Multiply-accumulator

Execute the MACL operation according to the following setting procedure.

<1> An example of executing during multiplication

- Enables input clock supply
The MACEN bit of the PER2 register is set (1), and supplying the clock starts.

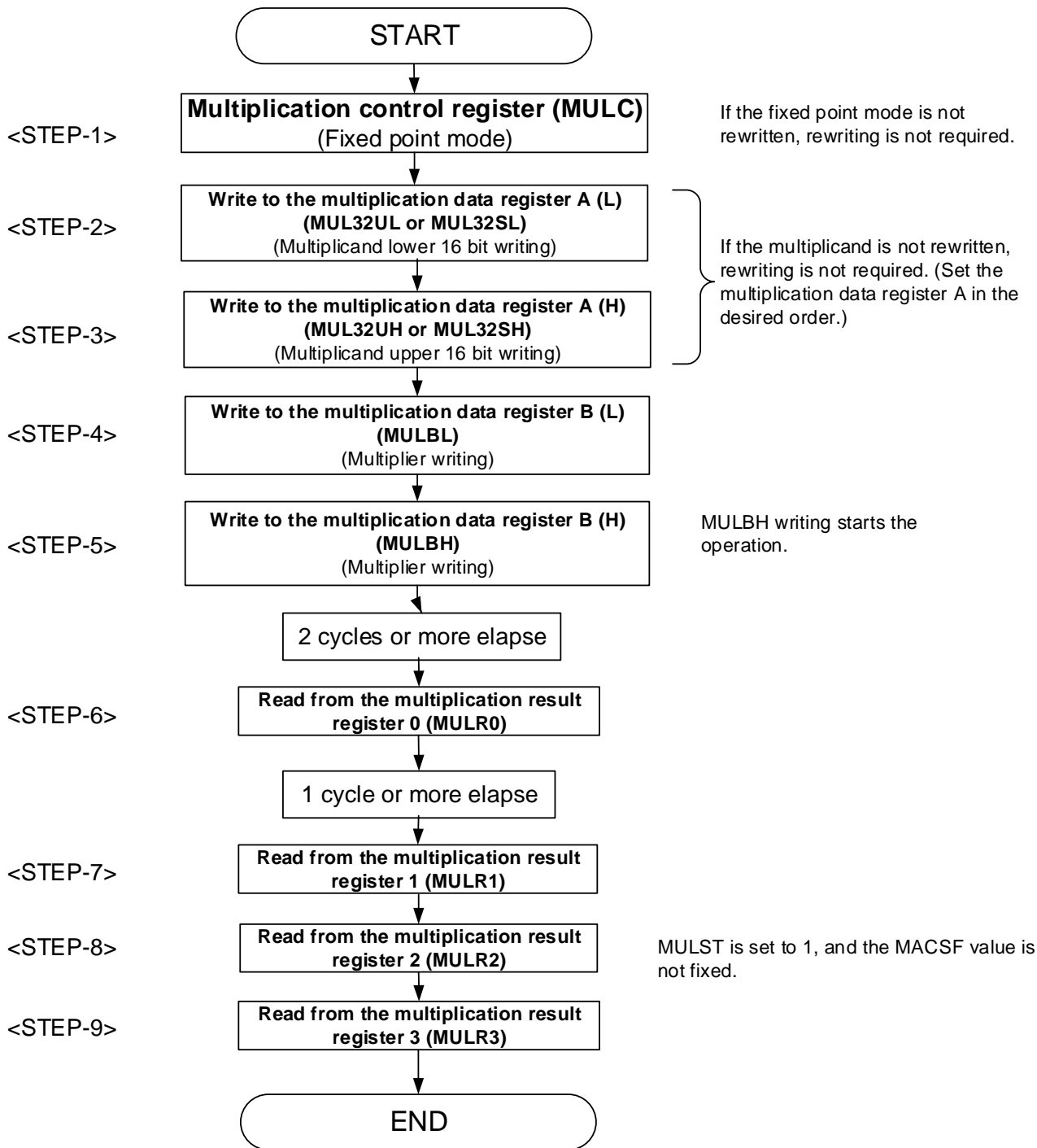
- Initial setting
 - <STEP-1> MULC writing (Enabling/Disabling fixed point mode)
 - <STEP-2> Multiplication data register A (L) writing (MUL32UL or MUL32SL)
 - <STEP-3> Multiplication data register A (H) writing (MUL32UH or MUL32SH)
 - <STEP-4> Multiplication data register B (L) writing (MULBL)
 - <STEP-5> Multiplication data register B (H) writing (MULBH)
 - MULST = 1

- Multiplication operation
When a series of processing shown below finishes, the operation finishes.
 - When all operations (5 cycles) of the multiplication operation process are finished, MULST is cleared to 0.
(The sign flag MACSF is fixed to 0.)
 - The 2nd cycle after start of operation and subsequent cycles
<STEP-6> Multiplication result register 0 (MULR0) can be read out.
 - The 4th cycle after start of operation and subsequent cycles
<STEP-7> Multiplication result register 1 (MULR1) can be read out.
 - The 5th cycle after start of operation and subsequent cycles
<STEP-8> Multiplication result register 2 (MULR2) can be read out.
<STEP-9> Multiplication result register 3 (MULR3) can be read out.

- When executing the operation continuously
 - (1) When switching the fixed point mode, execute <STEP-1>. For the other cases, proceed to (2).
 - (2) When rewriting the multiplicand, execute <STEP-2> and <STEP-3>. For the other cases, proceed to (3).
 - (3) Execute from <STEP-4>.

The operation flow when executing the multiplication is shown below:

Figure 39-8. MACL Operation Flow (for Multiplication)



<2> An example when executing the multiply-accumulation

- Enables input clock supply
The MACEN bit of the PER2 register is set (1), and supplying the clock starts.

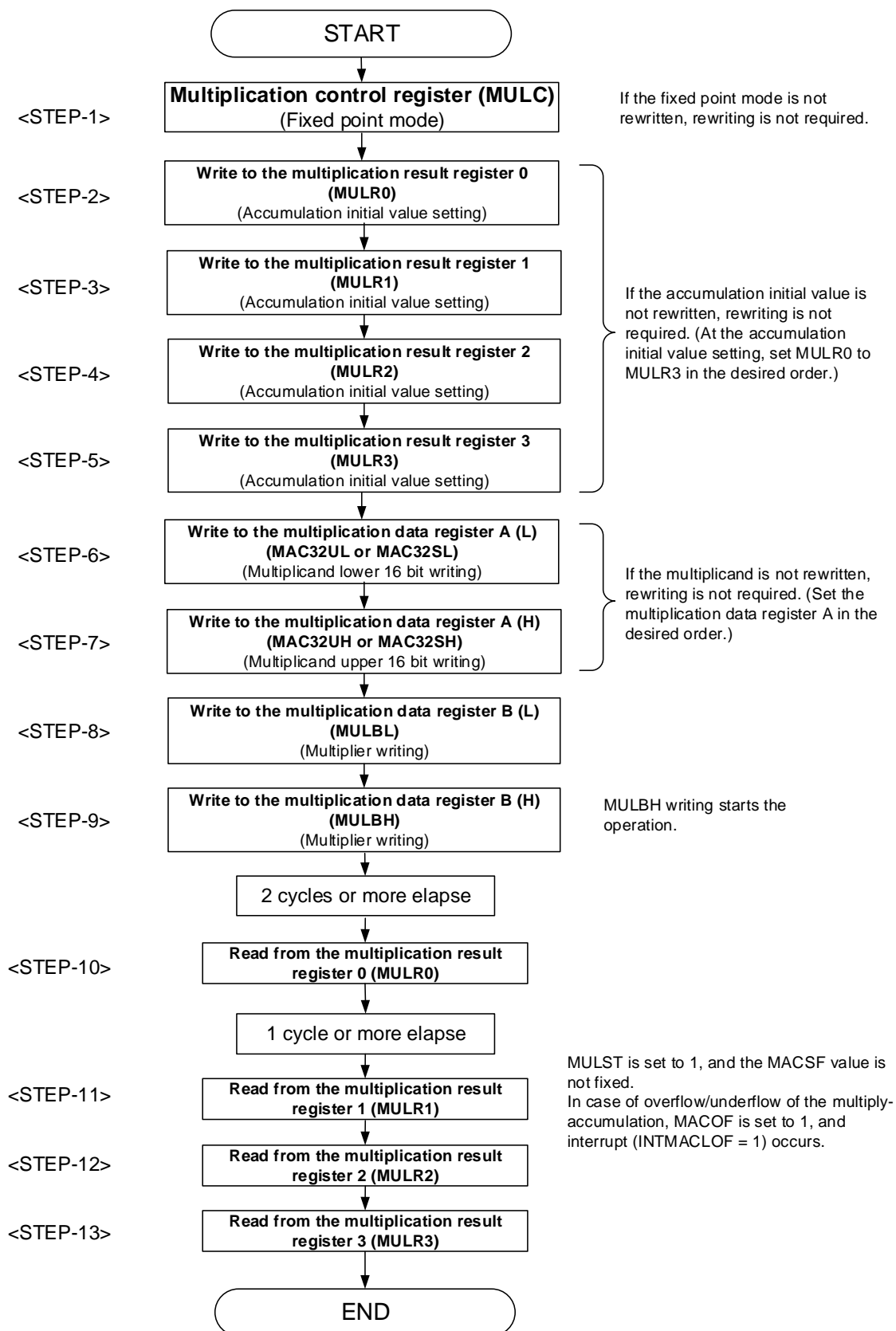
- Initial setting
 - <STEP-1> MULC writing (Enabling/Disabling fixed point mode)
 - <STEP-2> Multiplication result register 0 writing (MULR0) (accumulation initial setting)
 - <STEP-3> Multiplication result register 1 writing (MULR1) (accumulation initial setting)
 - <STEP-4> Multiplication result register 2 writing (MULR2) (accumulation initial setting)
 - <STEP-5> Multiplication result register 3 writing (MULR3) (accumulation initial setting)
 - <STEP-6> Multiplication data register A (L) writing (MAC32UL or MAC32SL)
 - <STEP-7> Multiplication data register A (H) writing (MAC32UH or MAC32SH)
 - <STEP-8> Multiplication data register B (L) writing (MULBL)
 - <STEP-9> Multiplication data register B (H) writing (MULBH)
 - MULST = 1

- During multiply-accumulation
When a series of processing shown below finishes, the operation finishes.
 - In case of overflow/underflow, MACOF is set to 1, and interrupt (INTMACLOF = 1) occurs.
 - When all cycles (5 cycles) of the multiply-accumulation processing operation have been completed, MULST is cleared to 0, and the sign flag MACSF is set or cleared.
(However, the MACSF flag is not set but fixed to 0 when MULSM is cleared to 0.)
 - The 2nd cycle after start of operation and subsequent cycles
<STEP-10> Multiplication result register 0 (MULR0) can be read out.
 - The 4th cycle or after
<STEP-11> Multiplication result register 1 (MULR1) can be read out.
 - The 5th cycle after start of operation and subsequent cycles
<STEP-12> Multiplication result register 2 (MULR2) can be read out.
<STEP-13> Multiplication result register 3 (MULR3) can be read out.

- When executing the operation continuously
 - (1) When switching the fixed point mode, execute <STEP-1>. For the other cases, proceed to (2).
 - (2) When rewriting accumulation initial value (multiplication result registers MULR0 to MULR3)
Execute <STEP-2>, <STEP-3>, <STEP-4>, and <STEP-5>. For the other cases, proceed to (3).
 - (3) When rewriting the multiplicand, execute <STEP-6> and <STEP-7>. For the other cases, proceed to (4).
 - (4) Execute from <STEP-8>.

The operation flow when executing the multiply-accumulation is shown below:

Figure 39-9. MACL Operation Flow (for Multiply-accumulation)



39.6 Precautions for 32-bit Multiply-accumulator

39.6.1 Precautions during operation (MULST = 1)

Rewriting of the multiplication data register A (L)/(H), multiplication data register B (L)/(H), multiplication result register 0/1/2/3, and multiplication control register is prohibited during the operation. Otherwise, the operation result will be an undefined value.

Before rewriting to the multiplication data register B (H) as the operation start, rewriting the multiplication data register A (L)/(H), multiplication data register B (L), multiplication result register 0/1/2/3, and multiplication control register must be completed.

CHAPTER 40 INSTRUCTION SET

This chapter lists the instructions in the RL78 microcontroller instruction set. For details of each operation and operation code, refer to the separate document **RL78 Family User's Manual: software (R01US0015)**.

40.1 Conventions Used in Operation List

40.1.1 Operand identifiers and specification methods

Operands are described in the "Operand" column of each instruction in accordance with the description method of the instruction operand identifier (refer to the assembler specifications for details). When there are two or more description methods, select one of them. Alphabetic letters in capitals and the symbols, #, !, !!, \$, \$!, [], and ES: are keywords and are described as they are. Each symbol has the following meaning.

- #: Immediate data specification
- !: 16-bit absolute address specification
- !!: 20-bit absolute address specification
- \$: 8-bit relative address specification
- \$!: 16-bit relative address specification
- []: Indirect address specification
- ES:: Extension address specification

In the case of immediate data, describe an appropriate numeric value or a label. When using a label, be sure to describe the #, !, !!, \$, \$!, [], and ES: symbols.

For operand register identifiers, r and rp, either function names (X, A, C, etc.) or absolute names (names in parentheses in the table below, R0, R1, R2, etc.) can be used for description.

Table 40-1. Operand Identifiers and Specification Methods

Identifier	Description Method
r	X (R0), A (R1), C (R2), B (R3), E (R4), D (R5), L (R6), H (R7)
rp	AX (RP0), BC (RP1), DE (RP2), HL (RP3)
sfr	Special-function register symbol (SFR symbol) FFF00H to FFFFFH
sfrp	Special-function register symbols (16-bit manipulatable SFR symbol. Even addresses only ^{Note}) FFF00H to FFFFFH
saddr	FFE20H to FFF1FH Immediate data or labels
saddrp	FFE20H to FF1FH Immediate data or labels (even addresses only ^{Note})
addr20	00000H to FFFFFH Immediate data or labels
addr16	0000H to FFFFH Immediate data or labels (only even addresses for 16-bit data transfer instructions ^{Note})
addr5	0080H to 00BFH Immediate data or labels (even addresses only)
word	16-bit immediate data or label
byte	8-bit immediate data or label
bit	1-bit immediate data or label
RBn	RB0 to RB3

Note Bit 0 = 0 when an odd address is specified.

Remark The special function registers can be described to operand sfr as symbols. See **Table 3-5 SFR List** for the symbols of the special function registers. The extended special function registers can be described to operand !addr16 as symbols. See **Table 3-6 Extended SFR (2nd SFR) List** for the symbols of the extended special function registers.

40.1.2 Description of operation column

The operation when the instruction is executed is shown in the “Operation” column using the following symbols.

Table 40-2. Symbols in “Operation” Column

Symbol	Function
A	A register; 8-bit accumulator
X	X register
B	B register
C	C register
D	D register
E	E register
H	H register
L	L register
ES	ES register
CS	CS register
AX	AX register pair; 16-bit accumulator
BC	BC register pair
DE	DE register pair
HL	HL register pair
PC	Program counter
SP	Stack pointer
PSW	Program status word
CY	Carry flag
AC	Auxiliary carry flag
Z	Zero flag
RBS	Register bank select flag
IE	Interrupt request enable flag
()	Memory contents indicated by address or register contents in parentheses
X _H , X _L	16-bit registers: X _H = higher 8 bits, X _L = lower 8 bits
X _S , X _H , X _L	20-bit registers: X _S = (bits 19 to 16), X _H = (bits 15 to 8), X _L = (bits 7 to 0)
∧	Logical product (AND)
∨	Logical sum (OR)
⊕	Exclusive logical sum (exclusive OR)
–	Inverted data
addr5	16-bit immediate data (even addresses only in 0080H to 00BFH)
addr16	16-bit immediate data
addr20	20-bit immediate data
jdisp8	Signed 8-bit data (displacement value)
jdisp16	Signed 16-bit data (displacement value)

40.1.3 Description of flag operation column

The change of the flag value when the instruction is executed is shown in the “Flag” column using the following symbols.

Table 40-3. Symbols in “Flag” Column

Symbol	Change of Flag Value
(Blank)	Unchanged
0	Cleared to 0
1	Set to 1
×	Set/cleared according to the result
R	Previously saved value is restored

40.1.4 PREFIX instruction

Instructions with “ES:” have a PREFIX operation code as a prefix to extend the accessible data area to the 1 MB space (00000H to FFFFFH), by adding the ES register value to the 64 KB space from F0000H to FFFFFH. When a PREFIX operation code is attached as a prefix to the target instruction, only one instruction immediately after the PREFIX operation code is executed as the addresses with the ES register value added.

An interrupt and DTC transfer are not acknowledged between a PREFIX instruction code and the instruction immediately after.

Table 40-4. Use Example of PREFIX Operation Code

Instruction	Opcode				
	1	2	3	4	5
MOV !addr16, #byte	CFH	!addr16		#byte	–
MOV ES:!addr16, #byte	11H	CFH	!addr16		#byte
MOV A, [HL]	8BH	–	–	–	–
MOV A, ES:[HL]	11H	8BH	–	–	–

Caution Set the ES register value with MOV ES, A, etc., before executing the PREFIX instruction.

40.2 Operation List

Table 40-5. Operation List (1/18)

Instruction Group	Mnemonic	Operands	Bytes	Clocks		Clocks	Flag		
				Note 1	Note 2		Z	AC	CY
8-bit data transfer	MOV	r, #byte	2	1	-	r ← byte			
		PSW, #byte	3	3	-	PSW ← byte	x	x	x
		CS, #byte	3	1	-	CS ← byte			
		ES, #byte	2	1	-	ES ← byte			
		!addr16, #byte	4	1	-	(addr16) ← byte			
		ES:!addr16, #byte	5	2	-	(ES, addr16) ← byte			
		saddr, #byte	3	1	-	(saddr) ← byte			
		sfr, #byte	3	1	-	sfr ← byte			
		[DE+byte], #byte	3	1	-	(DE+byte) ← byte			
		ES:[DE+byte],#byte	4	2	-	((ES, DE)+byte) ← byte			
		[HL+byte], #byte	3	1	-	(HL+byte) ← byte			
		ES:[HL+byte],#byte	4	2	-	((ES, HL)+byte) ← byte			
		[SP+byte], #byte	3	1	-	(SP+byte) ← byte			
		word[B], #byte	4	1	-	(B+word) ← byte			
		ES:word[B], #byte	5	2	-	((ES, B)+word) ← byte			
		word[C], #byte	4	1	-	(C+word) ← byte			
		ES:word[C], #byte	5	2	-	((ES, C)+word) ← byte			
		word[BC], #byte	4	1	-	(BC+word) ← byte			
		ES:word[BC], #byte	5	2	-	((ES, BC)+word) ← byte			
		A, r ^{Note 3}	1	1	-	A ← r			
		r, A ^{Note 3}	1	1	-	r ← A			
		A, PSW	2	1	-	A ← PSW			
		PSW, A	2	3	-	PSW ← A	x	x	x
		A, CS	2	1	-	A ← CS			
		CS, A	2	1	-	CS ← A			
		A, ES	2	1	-	A ← ES			
		ES, A	2	1	-	ES ← A			
		A, !addr16	3	1	4	A ← (addr16)			
		A, ES:!addr16	4	2	5	A ← (ES, addr16)			
		!addr16, A	3	1	-	(addr16) ← A			
ES:!addr16, A	4	2	-	(ES, addr16) ← A					
A, saddr	2	1	-	A ← (saddr)					
saddr, A	2	1	-	(saddr) ← A					

- Notes 1.** Number of CPU clocks (f_{CLK}) when the internal RAM area, SFR area, or extended SFR area is accessed, or when no data is accessed.
- 2.** Number of CPU clocks (f_{CLK}) when the code flash area is accessed.
- 3.** Except r = A

Remark Number of clock is when program exists in the internal ROM (flash memory) area. If fetching the instruction from the internal RAM area, the number becomes double number plus 3 clocks at a maximum.

Table 40-5. Operation List (2/18)

Instruction Group	Mnemonic	Operands	Bytes	Clocks		Clocks	Flag		
				Note 1	Note 2		Z	AC	CY
8-bit data transfer	MOV	A, sfr	2	1	–	A ← sfr			
		sfr, A	2	1	–	sfr ← A			
		A, [DE]	1	1	4	A ← (DE)			
		[DE], A	1	1	–	(DE) ← A			
		A, ES:[DE]	2	2	5	A ← (ES, DE)			
		ES:[DE], A	2	2	–	(ES, DE) ← A			
		A, [HL]	1	1	4	A ← (HL)			
		[HL], A	1	1	–	(HL) ← A			
		A, ES:[HL]	2	2	5	A ← (ES, HL)			
		ES:[HL], A	2	2	–	(ES, HL) ← A			
		A, [DE+byte]	2	1	4	A ← (DE + byte)			
		[DE+byte], A	2	1	–	(DE + byte) ← A			
		A, ES:[DE+byte]	3	2	5	A ← ((ES, DE) + byte)			
		ES:[DE+byte], A	3	2	–	((ES, DE) + byte) ← A			
		A, [HL+byte]	2	1	4	A ← (HL + byte)			
		[HL+byte], A	2	1	–	(HL + byte) ← A			
		A, ES:[HL+byte]	3	2	5	A ← ((ES, HL) + byte)			
		ES:[HL+byte], A	3	2	–	((ES, HL) + byte) ← A			
		A, [SP+byte]	2	1	–	A ← (SP + byte)			
		[SP+byte], A	2	1	–	(SP + byte) ← A			
		A, word[B]	3	1	4	A ← (B + word)			
		word[B], A	3	1	–	(B + word) ← A			
		A, ES:word[B]	4	2	5	A ← ((ES, B) + word)			
		ES:word[B], A	4	2	–	((ES, B) + word) ← A			
		A, word[C]	3	1	4	A ← (C + word)			
		word[C], A	3	1	–	(C + word) ← A			
		A, ES:word[C]	4	2	5	A ← ((ES, C) + word)			
		ES:word[C], A	4	2	–	((ES, C) + word) ← A			
		A, word[BC]	3	1	4	A ← (BC + word)			
		word[BC], A	3	1	–	(BC + word) ← A			
		A, ES:word[BC]	4	2	5	A ← ((ES, BC) + word)			
		ES:word[BC], A	4	2	–	((ES, BC) + word) ← A			

Notes 1. Number of CPU clocks (f_{CLK}) when the internal RAM area, SFR area, or extended SFR area is accessed, or when no data is accessed.

2. Number of CPU clocks (f_{CLK}) when the code flash area is accessed.

Remark Number of clock is when program exists in the internal ROM (flash memory) area. If fetching the instruction from the internal RAM area, the number becomes double number plus 3 clocks at a maximum.

Table 40-5. Operation List (3/18)

Instruction Group	Mnemonic	Operands	Bytes	Clocks		Clocks	Flag		
				Note 1	Note 2		Z	AC	CY
8-bit data transfer	MOV	A, [HL+B]	2	1	4	$A \leftarrow (HL + B)$			
		[HL+B], A	2	1	–	$(HL + B) \leftarrow A$			
		A, ES:[HL+B]	3	2	5	$A \leftarrow ((ES, HL) + B)$			
		ES:[HL+B], A	3	2	–	$((ES, HL) + B) \leftarrow A$			
		A, [HL+C]	2	1	4	$A \leftarrow (HL + C)$			
		[HL+C], A	2	1	–	$(HL + C) \leftarrow A$			
		A, ES:[HL+C]	3	2	5	$A \leftarrow ((ES, HL) + C)$			
		ES:[HL+C], A	3	2	–	$((ES, HL) + C) \leftarrow A$			
		X, laddr16	3	1	4	$X \leftarrow (addr16)$			
		X, ES:laddr16	4	2	5	$X \leftarrow (ES, addr16)$			
		X, saddr	2	1	–	$X \leftarrow (saddr)$			
		B, laddr16	3	1	4	$B \leftarrow (addr16)$			
		B, ES:laddr16	4	2	5	$B \leftarrow (ES, addr16)$			
		B, saddr	2	1	–	$B \leftarrow (saddr)$			
		C, laddr16	3	1	4	$C \leftarrow (addr16)$			
		C, ES:laddr16	4	2	5	$C \leftarrow (ES, addr16)$			
		C, saddr	2	1	–	$C \leftarrow (saddr)$			
		ES, saddr	3	1	–	$ES \leftarrow (saddr)$			
	XCH	A, r ^{Note 3}	1 (r = X) 2 (other than r = X)	1	–	$A \leftrightarrow r$			
		A, laddr16	4	2	–	$A \leftrightarrow (addr16)$			
		A, ES:laddr16	5	3	–	$A \leftrightarrow (ES, addr16)$			
		A, saddr	3	2	–	$A \leftrightarrow (saddr)$			
		A, sfr	3	2	–	$A \leftrightarrow sfr$			
		A, [DE]	2	2	–	$A \leftrightarrow (DE)$			
		A, ES:[DE]	3	3	–	$A \leftrightarrow (ES, DE)$			
		A, [HL]	2	2	–	$A \leftrightarrow (HL)$			
		A, ES:[HL]	3	3	–	$A \leftrightarrow (ES, HL)$			
		A, [DE+byte]	3	2	–	$A \leftrightarrow (DE + \text{byte})$			
A, ES:[DE+byte]		4	3	–	$A \leftrightarrow ((ES, DE) + \text{byte})$				
A, [HL+byte]		3	2	–	$A \leftrightarrow (HL + \text{byte})$				
A, ES:[HL+byte]	4	3	–	$A \leftrightarrow ((ES, HL) + \text{byte})$					

Notes 1. Number of CPU clocks (f_{CLK}) when the internal RAM area, SFR area, or extended SFR area is accessed, or when no data is accessed.

2. Number of CPU clocks (f_{CLK}) when the code flash area is accessed.

3. Except r = A

Remark Number of clock is when program exists in the internal ROM (flash memory) area. If fetching the instruction from the internal RAM area, the number becomes double number plus 3 clocks at a maximum.

Table 40-5. Operation List (4/18)

Instruction Group	Mnemonic	Operands	Bytes	Clocks		Clocks	Flag			
				Note 1	Note 2		Z	AC	CY	
8-bit data transfer	XCH	A, [HL+B]	2	2	–	A ←→ (HL+B)				
		A, ES:[HL+B]	3	3	–	A ←→ ((ES, HL)+B)				
		A, [HL+C]	2	2	–	A ←→ (HL+C)				
		A, ES:[HL+C]	3	3	–	A ←→ ((ES, HL)+C)				
	ONEB	A	1	1	–	A ← 01H				
		X	1	1	–	X ← 01H				
		B	1	1	–	B ← 01H				
		C	1	1	–	C ← 01H				
		!addr16	3	1	–	(addr16) ← 01H				
		ES:!addr16	4	2	–	(ES, addr16) ← 01H				
		saddr	2	1	–	(saddr) ← 01H				
	CLRB	A	1	1	–	A ← 00H				
		X	1	1	–	X ← 00H				
		B	1	1	–	B ← 00H				
		C	1	1	–	C ← 00H				
		!addr16	3	1	–	(addr16) ← 00H				
		ES:!addr16	4	2	–	(ES, addr16) ← 00H				
		saddr	2	1	–	(saddr) ← 00H				
	MOVS	[HL+byte], X	3	1	–	(HL+byte) ← X	x		x	
		ES:[HL+byte], X	4	2	–	(ES, HL+byte) ← X	x		x	
	16-bit data transfer	MOVW	rp, #word	3	1	–	rp ← word			
			saddrp, #word	4	1	–	(saddrp) ← word			
sfrp, #word			4	1	–	sfrp ← word				
AX, rp ^{Note 3}			1	1	–	AX ← rp				
rp, AX ^{Note 3}			1	1	–	rp ← AX				
AX, !addr16			3	1	4	AX ← (addr16)				
!addr16, AX			3	1	–	(addr16) ← AX				
AX, ES:!addr16			4	2	5	AX ← (ES, addr16)				
ES:!addr16, AX			4	2	–	(ES, addr16) ← AX				
AX, saddrp			2	1	–	AX ← (saddrp)				
saddrp, AX			2	1	–	(saddrp) ← AX				
AX, sfrp			2	1	–	AX ← sfrp				
sfrp, AX			2	1	–	sfrp ← AX				

- Notes 1.** Number of CPU clocks (f_{CLK}) when the internal RAM area, SFR area, or extended SFR area is accessed, or when no data is accessed.
- 2.** Number of CPU clocks (f_{CLK}) when the code flash area is accessed.
- 3.** Except $rp = AX$

Remark Number of clock is when program exists in the internal ROM (flash memory) area. If fetching the instruction from the internal RAM area, the number becomes double number plus 3 clocks at a maximum.

Table 40-5. Operation List (5/18)

Instruction Group	Mnemonic	Operands	Bytes	Clocks		Clocks	Flag		
				Note 1	Note 2		Z	AC	CY
16-bit data transfer	MOVW	AX, [DE]	1	1	4	AX ← (DE)			
		[DE], AX	1	1	–	(DE) ← AX			
		AX, ES:[DE]	2	2	5	AX ← (ES, DE)			
		ES:[DE], AX	2	2	–	(ES, DE) ← AX			
		AX, [HL]	1	1	4	AX ← (HL)			
		[HL], AX	1	1	–	(HL) ← AX			
		AX, ES:[HL]	2	2	5	AX ← (ES, HL)			
		ES:[HL], AX	2	2	–	(ES, HL) ← AX			
		AX, [DE+byte]	2	1	4	AX ← (DE+byte)			
		[DE+byte], AX	2	1	–	(DE+byte) ← AX			
		AX, ES:[DE+byte]	3	2	5	AX ← ((ES, DE) + byte)			
		ES:[DE+byte], AX	3	2	–	((ES, DE) + byte) ← AX			
		AX, [HL+byte]	2	1	4	AX ← (HL + byte)			
		[HL+byte], AX	2	1	–	(HL + byte) ← AX			
		AX, ES:[HL+byte]	3	2	5	AX ← ((ES, HL) + byte)			
		ES:[HL+byte], AX	3	2	–	((ES, HL) + byte) ← AX			
		AX, [SP+byte]	2	1	–	AX ← (SP + byte)			
		[SP+byte], AX	2	1	–	(SP + byte) ← AX			
		AX, word[B]	3	1	4	AX ← (B + word)			
		word[B], AX	3	1	–	(B+ word) ← AX			
		AX, ES:word[B]	4	2	5	AX ← ((ES, B) + word)			
		ES:word[B], AX	4	2	–	((ES, B) + word) ← AX			
		AX, word[C]	3	1	4	AX ← (C + word)			
		word[C], AX	3	1	–	(C + word) ← AX			
		AX, ES:word[C]	4	2	5	AX ← ((ES, C) + word)			
		ES:word[C], AX	4	2	–	((ES, C) + word) ← AX			
		AX, word[BC]	3	1	4	AX ← (BC + word)			
		word[BC], AX	3	1	–	(BC + word) ← AX			
		AX, ES:word[BC]	4	2	5	AX ← ((ES, BC) + word)			
		ES:word[BC], AX	4	2	–	((ES, BC) + word) ← AX			

Notes 1. Number of CPU clocks (f_{CLK}) when the internal RAM area, SFR area, or extended SFR area is accessed, or when no data is accessed.

2. Number of CPU clocks (f_{CLK}) when the code flash area is accessed.

Remark Number of clock is when program exists in the internal ROM (flash memory) area. If fetching the instruction from the internal RAM area, the number becomes double number plus 3 clocks at a maximum.

Table 40-5. Operation List (6/18)

Instruction Group	Mnemonic	Operands	Bytes	Clocks		Clocks	Flag		
				Note 1	Note 2		Z	AC	CY
16-bit data transfer	MOVW	BC, !addr16	3	1	4	BC ← (addr16)			
		BC, ES:!addr16	4	2	5	BC ← (ES, addr16)			
		DE, !addr16	3	1	4	DE ← (addr16)			
		DE, ES:!addr16	4	2	5	DE ← (ES, addr16)			
		HL, !addr16	3	1	4	HL ← (addr16)			
		HL, ES:!addr16	4	2	5	HL ← (ES, addr16)			
		BC, saddrp	2	1	–	BC ← (saddrp)			
		DE, saddrp	2	1	–	DE ← (saddrp)			
		HL, saddrp	2	1	–	HL ← (saddrp)			
	XCHW	AX, rp ^{Note 3}	1	1	–	AX ↔ rp			
	ONEW	AX	1	1	–	AX ← 0001H			
		BC	1	1	–	BC ← 0001H			
	CLRW	AX	1	1	–	AX ← 0000H			
		BC	1	1	–	BC ← 0000H			
8-bit operation	ADD	A, #byte	2	1	–	A, CY ← A + byte	x	x	x
		saddr, #byte	3	2	–	(saddr), CY ← (saddr)+byte	x	x	x
		A, r ^{Note 4}	2	1	–	A, CY ← A + r	x	x	x
		r, A	2	1	–	r, CY ← r + A	x	x	x
		A, !addr16	3	1	4	A, CY ← A + (addr16)	x	x	x
		A, ES:!addr16	4	2	5	A, CY ← A + (ES, addr16)	x	x	x
		A, saddr	2	1	–	A, CY ← A + (saddr)	x	x	x
		A, [HL]	1	1	4	A, CY ← A + (HL)	x	x	x
		A, ES:[HL]	2	2	5	A, CY ← A + (ES, HL)	x	x	x
		A, [HL+byte]	2	1	4	A, CY ← A + (HL+byte)	x	x	x
		A, ES:[HL+byte]	3	2	5	A, CY ← A + ((ES, HL)+byte)	x	x	x
		A, [HL+B]	2	1	4	A, CY ← A + (HL+B)	x	x	x
		A, ES:[HL+B]	3	2	5	A, CY ← A + ((ES, HL)+B)	x	x	x
		A, [HL+C]	2	1	4	A, CY ← A + (HL+C)	x	x	x
A, ES:[HL+C]	3	2	5	A, CY ← A + ((ES, HL) + C)	x	x	x		

- Notes 1.** Number of CPU clocks (f_{CLK}) when the internal RAM area, SFR area, or extended SFR area is accessed, or when no data is accessed.
- 2.** Number of CPU clocks (f_{CLK}) when the code flash area is accessed.
- 3.** Except rp = AX
- 4.** Except r = A

Remark Number of clock is when program exists in the internal ROM (flash memory) area. If fetching the instruction from the internal RAM area, the number becomes double number plus 3 clocks at a maximum.

Table 40-5. Operation List (7/18)

Instruction Group	Mnemonic	Operands	Bytes	Clocks		Clocks	Flag		
				Note 1	Note 2		Z	AC	CY
8-bit operation	ADDC	A, #byte	2	1	–	A, CY ← A+byte+CY	x	x	x
		saddr, #byte	3	2	–	(saddr), CY ← (saddr) +byte+CY	x	x	x
		A, r ^{Note 3}	2	1	–	A, CY ← A + r + CY	x	x	x
		r, A	2	1	–	r, CY ← r + A + CY	x	x	x
		A, laddr16	3	1	4	A, CY ← A + (addr16)+CY	x	x	x
		A, ES:!addr16	4	2	5	A, CY ← A + (ES, addr16)+CY	x	x	x
		A, saddr	2	1	–	A, CY ← A + (saddr)+CY	x	x	x
		A, [HL]	1	1	4	A, CY ← A+ (HL) + CY	x	x	x
		A, ES:[HL]	2	2	5	A,CY ← A+ (ES, HL) + CY	x	x	x
		A, [HL+byte]	2	1	4	A, CY ← A+ (HL+byte) + CY	x	x	x
		A, ES:[HL+byte]	3	2	5	A,CY ← A+ ((ES, HL)+byte) + CY	x	x	x
		A, [HL+B]	2	1	4	A, CY ← A+ (HL+B) +CY	x	x	x
		A, ES:[HL+B]	3	2	5	A,CY ← A+((ES, HL)+B)+CY	x	x	x
		A, [HL+C]	2	1	4	A, CY ← A+ (HL+C)+CY	x	x	x
	A, ES:[HL+C]	3	2	5	A,CY ← A+ ((ES, HL)+C)+CY	x	x	x	
	SUB	A, #byte	2	1	–	A, CY ← A – byte	x	x	x
		saddr, #byte	3	2	–	(saddr), CY ← (saddr) – byte	x	x	x
		A, r ^{Note 3}	2	1	–	A, CY ← A – r	x	x	x
		r, A	2	1	–	r, CY ← r – A	x	x	x
		A, laddr16	3	1	4	A, CY ← A – (addr16)	x	x	x
		A, ES:!addr16	4	2	5	A, CY ← A – (ES, addr16)	x	x	x
		A, saddr	2	1	–	A, CY ← A – (saddr)	x	x	x
		A, [HL]	1	1	4	A, CY ← A – (HL)	x	x	x
		A, ES:[HL]	2	2	5	A,CY ← A – (ES, HL)	x	x	x
		A, [HL+byte]	2	1	4	A, CY ← A – (HL+byte)	x	x	x
		A, ES:[HL+byte]	3	2	5	A,CY ← A – ((ES, HL)+byte)	x	x	x
		A, [HL+B]	2	1	4	A, CY ← A – (HL+B)	x	x	x
		A, ES:[HL+B]	3	2	5	A,CY ← A – ((ES, HL)+B)	x	x	x
A, [HL+C]		2	1	4	A, CY ← A – (HL+C)	x	x	x	
A, ES:[HL+C]	3	2	5	A,CY ← A – ((ES, HL)+C)	x	x	x		

Notes 1. Number of CPU clocks (f_{CLK}) when the internal RAM area, SFR area, or extended SFR area is accessed, or when no data is accessed.

2. Number of CPU clocks (f_{CLK}) when the code flash area is accessed.

3. Except $r = A$

Remark Number of clock is when program exists in the internal ROM (flash memory) area. If fetching the instruction from the internal RAM area, the number becomes double number plus 3 clocks at a maximum.

Table 40-5. Operation List (8/18)

Instruction Group	Mnemonic	Operands	Bytes	Clocks		Clocks	Flag		
				Note 1	Note 2		Z	AC	CY
8-bit operation	SUBC	A, #byte	2	1	–	A, CY ← A – byte – CY	x	x	x
		saddr, #byte	3	2	–	(saddr), CY ← (saddr) – byte – CY	x	x	x
		A, r ^{Note 3}	2	1	–	A, CY ← A – r – CY	x	x	x
		r, A	2	1	–	r, CY ← r – A – CY	x	x	x
		A, laddr16	3	1	4	A, CY ← A – (addr16) – CY	x	x	x
		A, ES:!addr16	4	2	5	A, CY ← A – (ES, addr16) – CY	x	x	x
		A, saddr	2	1	–	A, CY ← A – (saddr) – CY	x	x	x
		A, [HL]	1	1	4	A, CY ← A – (HL) – CY	x	x	x
		A, ES:[HL]	2	2	5	A, CY ← A – (ES, HL) – CY	x	x	x
		A, [HL+byte]	2	1	4	A, CY ← A – (HL+byte) – CY	x	x	x
		A, ES:[HL+byte]	3	2	5	A, CY ← A – ((ES, HL)+byte) – CY	x	x	x
		A, [HL+B]	2	1	4	A, CY ← A – (HL+B) – CY	x	x	x
		A, ES:[HL+B]	3	2	5	A, CY ← A – ((ES, HL)+B) – CY	x	x	x
		A, [HL+C]	2	1	4	A, CY ← A – (HL+C) – CY	x	x	x
		A, ES:[HL+C]	3	2	5	A, CY ← A – ((ES:HL)+C) – CY	x	x	x
	AND	A, #byte	2	1	–	A ← A ∧ byte	x		
		saddr, #byte	3	2	–	(saddr) ← (saddr) ∧ byte	x		
		A, r ^{Note 3}	2	1	–	A ← A ∧ r	x		
		r, A	2	1	–	R ← r ∧ A	x		
		A, laddr16	3	1	4	A ← A ∧ (addr16)	x		
		A, ES:!addr16	4	2	5	A ← A ∧ (ES:addr16)	x		
		A, saddr	2	1	–	A ← A ∧ (saddr)	x		
		A, [HL]	1	1	4	A ← A ∧ (HL)	x		
		A, ES:[HL]	2	2	5	A ← A ∧ (ES:HL)	x		
		A, [HL+byte]	2	1	4	A ← A ∧ (HL+byte)	x		
		A, ES:[HL+byte]	3	2	5	A ← A ∧ ((ES:HL)+byte)	x		
		A, [HL+B]	2	1	4	A ← A ∧ (HL+B)	x		
		A, ES:[HL+B]	3	2	5	A ← A ∧ ((ES:HL)+B)	x		
A, [HL+C]	2	1	4	A ← A ∧ (HL+C)	x				
A, ES:[HL+C]	3	2	5	A ← A ∧ ((ES:HL)+C)	x				

Notes 1. Number of CPU clocks (f_{CLK}) when the internal RAM area, SFR area, or extended SFR area is accessed, or when no data is accessed.

2. Number of CPU clocks (f_{CLK}) when the code flash area is accessed.

3. Except $r = A$

Remark Number of clock is when program exists in the internal ROM (flash memory) area. If fetching the instruction from the internal RAM area, the number becomes double number plus 3 clocks at a maximum.

Table 40-5. Operation List (9/18)

Instruction Group	Mnemonic	Operands	Bytes	Clocks		Clocks	Flag		
				Note 1	Note 2		Z	AC	CY
8-bit operation	OR	A, #byte	2	1	–	$A \leftarrow A \vee \text{byte}$		x	
		saddr, #byte	3	2	–	$(\text{saddr}) \leftarrow (\text{saddr}) \vee \text{byte}$		x	
		A, r ^{Note 3}	2	1	–	$A \leftarrow A \vee r$		x	
		r, A	2	1	–	$r \leftarrow r \vee A$		x	
		A, !addr16	3	1	4	$A \leftarrow A \vee (\text{addr}16)$		x	
		A, ES:!addr16	4	2	5	$A \leftarrow A \vee (\text{ES}:\text{addr}16)$		x	
		A, saddr	2	1	–	$A \leftarrow A \vee (\text{saddr})$		x	
		A, [HL]	1	1	4	$A \leftarrow A \vee (\text{H})$		x	
		A, ES:[HL]	2	2	5	$A \leftarrow A \vee (\text{ES}:\text{HL})$		x	
		A, [HL+byte]	2	1	4	$A \leftarrow A \vee (\text{HL}+\text{byte})$		x	
		A, ES:[HL+byte]	3	2	5	$A \leftarrow A \vee ((\text{ES}:\text{HL})+\text{byte})$		x	
		A, [HL+B]	2	1	4	$A \leftarrow A \vee (\text{HL}+\text{B})$		x	
		A, ES:[HL+B]	3	2	5	$A \leftarrow A \vee ((\text{ES}:\text{HL})+\text{B})$		x	
		A, [HL+C]	2	1	4	$A \leftarrow A \vee (\text{HL}+\text{C})$		x	
	A, ES:[HL+C]	3	2	5	$A \leftarrow A \vee ((\text{ES}:\text{HL})+\text{C})$		x		
	XOR	A, #byte	2	1	–	$A \leftarrow A \oplus \text{byte}$		x	
		saddr, #byte	3	2	–	$(\text{saddr}) \leftarrow (\text{saddr}) \oplus \text{byte}$		x	
		A, r ^{Note 3}	2	1	–	$A \leftarrow A \oplus r$		x	
		r, A	2	1	–	$r \leftarrow r \oplus A$		x	
		A, !addr16	3	1	4	$A \leftarrow A \oplus (\text{addr}16)$		x	
		A, ES:!addr16	4	2	5	$A \leftarrow A \oplus (\text{ES}:\text{addr}16)$		x	
		A, saddr	2	1	–	$A \leftarrow A \oplus (\text{saddr})$		x	
		A, [HL]	1	1	4	$A \leftarrow A \oplus (\text{HL})$		x	
		A, ES:[HL]	2	2	5	$A \leftarrow A \oplus (\text{ES}:\text{HL})$		x	
		A, [HL+byte]	2	1	4	$A \leftarrow A \oplus (\text{HL}+\text{byte})$		x	
		A, ES:[HL+byte]	3	2	5	$A \leftarrow A \oplus ((\text{ES}:\text{HL})+\text{byte})$		x	
		A, [HL+B]	2	1	4	$A \leftarrow A \oplus (\text{HL}+\text{B})$		x	
		A, ES:[HL+B]	3	2	5	$A \leftarrow A \oplus ((\text{ES}:\text{HL})+\text{B})$		x	
A, [HL+C]		2	1	4	$A \leftarrow A \oplus (\text{HL}+\text{C})$		x		
A, ES:[HL+C]	3	2	5	$A \leftarrow A \oplus ((\text{ES}:\text{HL})+\text{C})$		x			

Notes 1. Number of CPU clocks (f_{CLK}) when the internal RAM area, SFR area, or extended SFR area is accessed, or when no data is accessed.

2. Number of CPU clocks (f_{CLK}) when the code flash area is accessed.

3. Except $r = A$

Remark Number of clock is when program exists in the internal ROM (flash memory) area. If fetching the instruction from the internal RAM area, the number becomes double number plus 3 clocks at a maximum.

Table 40-5. Operation List (10/18)

Instruction Group	Mnemonic	Operands	Bytes	Clocks		Clocks	Flag		
				Note 1	Note 2		Z	AC	CY
8-bit operation	CMP	A, #byte	2	1	–	A – byte	x	x	x
		laddr16, #byte	4	1	4	(addr16) – byte	x	x	x
		ES:laddr16, #byte	5	2	5	(ES:addr16) – byte	x	x	x
		saddr, #byte	3	1	–	(saddr) – byte	x	x	x
		A, r ^{Note3}	2	1	–	A – r	x	x	x
		r, A	2	1	–	r – A	x	x	x
		A, laddr16	3	1	4	A – (addr16)	x	x	x
		A, ES:laddr16	4	2	5	A – (ES:addr16)	x	x	x
		A, saddr	2	1	–	A – (saddr)	x	x	x
		A, [HL]	1	1	4	A – (HL)	x	x	x
		A, ES:[HL]	2	2	5	A – (ES:HL)	x	x	x
		A, [HL+byte]	2	1	4	A – (HL+byte)	x	x	x
		A, ES:[HL+byte]	3	2	5	A – ((ES:HL)+byte)	x	x	x
		A, [HL+B]	2	1	4	A – (HL+B)	x	x	x
		A, ES:[HL+B]	3	2	5	A – ((ES:HL)+B)	x	x	x
		A, [HL+C]	2	1	4	A – (HL+C)	x	x	x
	A, ES:[HL+C]	3	2	5	A – ((ES:HL)+C)	x	x	x	
	CMP0	A	1	1	–	A – 00H	x	0	0
		X	1	1	–	X – 00H	x	0	0
		B	1	1	–	B – 00H	x	0	0
		C	1	1	–	C – 00H	x	0	0
		laddr16	3	1	4	(addr16) – 00H	x	0	0
		ES:laddr16	4	2	5	(ES:addr16) – 00H	x	0	0
		saddr	2	1	–	(saddr) – 00H	x	0	0
	CMPS	X, [HL+byte]	3	1	4	X – (HL+byte)	x	x	x
		X, ES:[HL+byte]	4	2	5	X – ((ES:HL)+byte)	x	x	x

- Notes**
1. Number of CPU clocks (f_{CLK}) when the internal RAM area, SFR area, or extended SFR area is accessed, or when no data is accessed.
 2. Number of CPU clocks (f_{CLK}) when the code flash area is accessed.
 3. Except $r = A$

Remark Number of clock is when program exists in the internal ROM (flash memory) area. If fetching the instruction from the internal RAM area, the number becomes double number plus 3 clocks at a maximum.

Table 40-5. Operation List (11/18)

Instruction Group	Mnemonic	Operands	Bytes	Clocks		Clocks	Flag		
				Note 1	Note 2		Z	AC	CY
16-bit operation	ADDW	AX, #word	3	1	–	AX, CY ← AX+word	x	x	x
		AX, AX	1	1	–	AX, CY ← AX+AX	x	x	x
		AX, BC	1	1	–	AX, CY ← AX+BC	x	x	x
		AX, DE	1	1	–	AX, CY ← AX+DE	x	x	x
		AX, HL	1	1	–	AX, CY ← AX+HL	x	x	x
		AX, !addr16	3	1	4	AX, CY ← AX+(addr16)	x	x	x
		AX, ES:!addr16	4	2	5	AX, CY ← AX+(ES:addr16)	x	x	x
		AX, saddrp	2	1	–	AX, CY ← AX+(saddrp)	x	x	x
		AX, [HL+byte]	3	1	4	AX, CY ← AX+(HL+byte)	x	x	x
		AX, ES: [HL+byte]	4	2	5	AX, CY ← AX+((ES:HL)+byte)	x	x	x
	SUBW	AX, #word	3	1	–	AX, CY ← AX – word	x	x	x
		AX, BC	1	1	–	AX, CY ← AX – BC	x	x	x
		AX, DE	1	1	–	AX, CY ← AX – DE	x	x	x
		AX, HL	1	1	–	AX, CY ← AX – HL	x	x	x
		AX, !addr16	3	1	4	AX, CY ← AX – (addr16)	x	x	x
		AX, ES:!addr16	4	2	5	AX, CY ← AX – (ES:addr16)	x	x	x
		AX, saddrp	2	1	–	AX, CY ← AX – (saddrp)	x	x	x
		AX, [HL+byte]	3	1	4	AX, CY ← AX – (HL+byte)	x	x	x
		AX, ES: [HL+byte]	4	2	5	AX, CY ← AX – ((ES:HL)+byte)	x	x	x
	CMPW	AX, #word	3	1	–	AX – word	x	x	x
		AX, BC	1	1	–	AX – BC	x	x	x
		AX, DE	1	1	–	AX – DE	x	x	x
		AX, HL	1	1	–	AX – HL	x	x	x
		AX, !addr16	3	1	4	AX – (addr16)	x	x	x
		AX, ES:!addr16	4	2	5	AX – (ES:addr16)	x	x	x
		AX, saddrp	2	1	–	AX – (saddrp)	x	x	x
		AX, [HL+byte]	3	1	4	AX – (HL+byte)	x	x	x
AX, ES: [HL+byte]		4	2	5	AX – ((ES:HL)+byte)	x	x	x	

Notes 1. Number of CPU clocks (f_{CLK}) when the internal RAM area, SFR area, or extended SFR area is accessed, or when no data is accessed.

2. Number of CPU clocks (f_{CLK}) when the code flash area is accessed.

Remark Number of clock is when program exists in the internal ROM (flash memory) area. If fetching the instruction from the internal RAM area, the number becomes double number plus 3 clocks at a maximum.

Table 40-5. Operation List (12/18)

Instruction Group	Mnemonic	Operands	Bytes	Clocks		Operation	Flag		
				Note 1	Note 2		Z	AC	CY
Multiply, Divide, Multiply & accumulate	MULU	X	1	1	–	$AX \leftarrow A \times X$			
	MULHU		3	2	–	$BCAX \leftarrow AX \times BC$ (unsigned)			
	MULH		3	2	–	$BCAX \leftarrow AX \times BC$ (signed)			
	DIVHU		3	9	–	AX (quotient), DE (remainder) $\leftarrow AX \div DE$ (unsigned)			
	DIVWU		3	17	–	$BCAX$ (quotient), $HLDE$ (remainder) $\leftarrow BCAX \div HLDE$ (unsigned)			
	MACHU		3	3	–	$MACR \leftarrow MACR + AX \times BC$ (unsigned)		x	x
	MACH		3	3	–	$MACR \leftarrow MACR + AX \times BC$ (signed)		x	x

Notes 1. Number of CPU clocks (f_{CLK}) when the internal RAM area, SFR area, or extended SFR area is accessed, or when no data is accessed.

2. Number of CPU clocks (f_{CLK}) when the code flash area is accessed.

Remarks 1. Number of clock is when program exists in the internal ROM (flash memory) area. If fetching the instruction from the internal RAM area, the number becomes double number plus 3 clocks at a maximum.

2. MACR indicates the multiplication and accumulation register (MACRH, MACRL).

Caution Disable interrupts when executing the DIVHU or DIVWU instruction in an interrupt servicing routine. Alternatively, unless they are executed in the RAM area, note that execution of a DIVHU or DIVWU instruction is possible even with interrupts enabled as long as a NOP instruction is added immediately after the DIVHU or DIVWU instruction in the assembly language source code. The following compilers automatically add a NOP instruction immediately after any DIVHU or DIVWU instruction output during the build process.

- V. 1.71 and later versions of the CA78K0R (Renesas Electronics compiler), for both C and assembly language source code
- Service pack 1.40.6 and later versions of the EWRL78 (IAR compiler), for C language source code
- GNURL78 (KPIT compiler), for C language source code

Table 40-5. Operation List (13/18)

Instruction Group	Mnemonic	Operands	Bytes	Clocks		Clocks	Flag		
				Note 1	Note 2		Z	AC	CY
Increment/ decrement	INC	r	1	1	–	$r \leftarrow r+1$	x	x	
		!addr16	3	2	–	$(addr16) \leftarrow (addr16)+1$	x	x	
		ES:!addr16	4	3	–	$(ES, addr16) \leftarrow (ES, addr16)+1$	x	x	
		saddr	2	2	–	$(saddr) \leftarrow (saddr)+1$	x	x	
		[HL+byte]	3	2	–	$(HL+byte) \leftarrow (HL+byte)+1$	x	x	
		ES: [HL+byte]	4	3	–	$((ES:HL)+byte) \leftarrow ((ES:HL)+byte)+1$	x	x	
	DEC	r	1	1	–	$r \leftarrow r-1$	x	x	
		!addr16	3	2	–	$(addr16) \leftarrow (addr16)-1$	x	x	
		ES:!addr16	4	3	–	$(ES, addr16) \leftarrow (ES, addr16)-1$	x	x	
		saddr	2	2	–	$(saddr) \leftarrow (saddr)-1$	x	x	
		[HL+byte]	3	2	–	$(HL+byte) \leftarrow (HL+byte)-1$	x	x	
		ES: [HL+byte]	4	3	–	$((ES:HL)+byte) \leftarrow ((ES:HL)+byte)-1$	x	x	
	INCW	rp	1	1	–	$rp \leftarrow rp+1$			
		!addr16	3	2	–	$(addr16) \leftarrow (addr16)+1$			
		ES:!addr16	4	3	–	$(ES, addr16) \leftarrow (ES, addr16)+1$			
		saddrp	2	2	–	$(saddrp) \leftarrow (saddrp)+1$			
		[HL+byte]	3	2	–	$(HL+byte) \leftarrow (HL+byte)+1$			
		ES: [HL+byte]	4	3	–	$((ES:HL)+byte) \leftarrow ((ES:HL)+byte)+1$			
	DECW	rp	1	1	–	$rp \leftarrow rp-1$			
		!addr16	3	2	–	$(addr16) \leftarrow (addr16)-1$			
		ES:!addr16	4	3	–	$(ES, addr16) \leftarrow (ES, addr16)-1$			
saddrp		2	2	–	$(saddrp) \leftarrow (saddrp)-1$				
[HL+byte]		3	2	–	$(HL+byte) \leftarrow (HL+byte)-1$				
ES: [HL+byte]		4	3	–	$((ES:HL)+byte) \leftarrow ((ES:HL)+byte)-1$				
Shift	SHR	A, cnt	2	1	–	$(CY \leftarrow A_0, A_{m-1} \leftarrow A_m, A_7 \leftarrow 0) \times cnt$			x
	SHRW	AX, cnt	2	1	–	$(CY \leftarrow AX_0, AX_{m-1} \leftarrow AX_m, AX_{15} \leftarrow 0) \times cnt$			x
	SHL	A, cnt	2	1	–	$(CY \leftarrow A_7, A_m \leftarrow A_{m-1}, A_0 \leftarrow 0) \times cnt$			x
		B, cnt	2	1	–	$(CY \leftarrow B_7, B_m \leftarrow B_{m-1}, B_0 \leftarrow 0) \times cnt$			x
		C, cnt	2	1	–	$(CY \leftarrow C_7, C_m \leftarrow C_{m-1}, C_0 \leftarrow 0) \times cnt$			x
	SHLW	AX, cnt	2	1	–	$(CY \leftarrow AX_{15}, AX_m \leftarrow AX_{m-1}, AX_0 \leftarrow 0) \times cnt$			x
		BC, cnt	2	1	–	$(CY \leftarrow BC_{15}, BC_m \leftarrow BC_{m-1}, BC_0 \leftarrow 0) \times cnt$			x
	SAR	A, cnt	2	1	–	$(CY \leftarrow A_0, A_{m-1} \leftarrow A_m, A_7 \leftarrow A_7) \times cnt$			x
SARW	AX, cnt	2	1	–	$(CY \leftarrow AX_0, AX_{m-1} \leftarrow AX_m, AX_{15} \leftarrow AX_{15}) \times cnt$			x	

Notes 1. Number of CPU clocks (f_{CLK}) when the internal RAM area, SFR area, or extended SFR area is accessed, or when no data is accessed.

2. Number of CPU clocks (f_{CLK}) when the code flash area is accessed.

Remarks 1. Number of clock is when program exists in the internal ROM (flash memory) area. If fetching the instruction from the internal RAM area, the number becomes double number plus 3 clocks at a maximum.

2. cnt indicates the bit shift count.

Table 40-5. Operation List (14/18)

Instruction Group	Mnemonic	Operands	Bytes	Clocks		Clocks	Flag		
				Note 1	Note 2		Z	AC	CY
Rotate	ROR	A, 1	2	1	–	$(CY, A7 \leftarrow A_0, A_{m-1} \leftarrow A_m) \times 1$			x
	ROL	A, 1	2	1	–	$(CY, A_0 \leftarrow A_7, A_{m+1} \leftarrow A_m) \times 1$			x
	RORC	A, 1	2	1	–	$(CY \leftarrow A_0, A_7 \leftarrow CY, A_{m-1} \leftarrow A_m) \times 1$			x
	ROLC	A, 1	2	1	–	$(CY \leftarrow A_7, A_0 \leftarrow CY, A_{m+1} \leftarrow A_m) \times 1$			x
	ROLWC	AX,1	2	1	–	$(CY \leftarrow AX_{15}, AX_0 \leftarrow CY, AX_{m+1} \leftarrow AX_m) \times 1$			x
		BC,1	2	1	–	$(CY \leftarrow BC_{15}, BC_0 \leftarrow CY, BC_{m+1} \leftarrow BC_m) \times 1$			x
Bit manipulate	MOV1	CY, A.bit	2	1	–	$CY \leftarrow A.bit$			x
		A.bit, CY	2	1	–	$A.bit \leftarrow CY$			
		CY, PSW.bit	3	1	–	$CY \leftarrow PSW.bit$			x
		PSW.bit, CY	3	4	–	$PSW.bit \leftarrow CY$	x	x	
		CY, saddr.bit	3	1	–	$CY \leftarrow (saddr).bit$			x
		saddr.bit, CY	3	2	–	$(saddr).bit \leftarrow CY$			
		CY, sfr.bit	3	1	–	$CY \leftarrow sfr.bit$			x
		sfr.bit, CY	3	2	–	$sfr.bit \leftarrow CY$			
		CY, [HL].bit	2	1	4	$CY \leftarrow (HL).bit$			x
		[HL].bit, CY	2	2	–	$(HL).bit \leftarrow CY$			
	CY, ES:[HL].bit	3	2	5	$CY \leftarrow (ES, HL).bit$			x	
	ES:[HL].bit, CY	3	3	–	$(ES, HL).bit \leftarrow CY$				
	AND1	CY, A.bit	2	1	–	$CY \leftarrow CY \wedge A.bit$			x
		CY, PSW.bit	3	1	–	$CY \leftarrow CY \wedge PSW.bit$			x
		CY, saddr.bit	3	1	–	$CY \leftarrow CY \wedge (saddr).bit$			x
		CY, sfr.bit	3	1	–	$CY \leftarrow CY \wedge sfr.bit$			x
		CY, [HL].bit	2	1	4	$CY \leftarrow CY \wedge (HL).bit$			x
		CY, ES:[HL].bit	3	2	5	$CY \leftarrow CY \wedge (ES, HL).bit$			x
	OR1	CY, A.bit	2	1	–	$CY \leftarrow CY \vee A.bit$			x
		CY, PSW.bit	3	1	–	$CY \leftarrow CY \vee PSW.bit$			x
		CY, saddr.bit	3	1	–	$CY \leftarrow CY \vee (saddr).bit$			x
		CY, sfr.bit	3	1	–	$CY \leftarrow CY \vee sfr.bit$			x
		CY, [HL].bit	2	1	4	$CY \leftarrow CY \vee (HL).bit$			x
		CY, ES:[HL].bit	3	2	5	$CY \leftarrow CY \vee (ES, HL).bit$			x

Notes 1. Number of CPU clocks (f_{CLK}) when the internal RAM area, SFR area, or extended SFR area is accessed, or when no data is accessed.

2. Number of CPU clocks (f_{CLK}) when the code flash area is accessed.

Remark Number of clock is when program exists in the internal ROM (flash memory) area. If fetching the instruction from the internal RAM area, the number becomes double number plus 3 clocks at a maximum.

Table 40-5. Operation List (15/18)

Instruction Group	Mnemonic	Operands	Bytes	Clocks		Clocks	Flag		
				Note 1	Note 2		Z	AC	CY
Bit manipulate	XOR1	CY, A.bit	2	1	–	$CY \leftarrow CY \oplus A.bit$			x
		CY, PSW.bit	3	1	–	$CY \leftarrow CY \oplus PSW.bit$			x
		CY, saddr.bit	3	1	–	$CY \leftarrow CY \oplus (saddr).bit$			x
		CY, sfr.bit	3	1	–	$CY \leftarrow CY \oplus sfr.bit$			x
		CY, [HL].bit	2	1	4	$CY \leftarrow CY \oplus (HL).bit$			x
		CY, ES:[HL].bit	3	2	5	$CY \leftarrow CY \oplus (ES, HL).bit$			x
	SET1	A.bit	2	1	–	$A.bit \leftarrow 1$			
		PSW.bit	3	4	–	$PSW.bit \leftarrow 1$	x	x	x
		!addr16.bit	4	2	–	$(addr16).bit \leftarrow 1$			
		ES:!addr16.bit	5	3	–	$(ES, addr16).bit \leftarrow 1$			
		saddr.bit	3	2	–	$(saddr).bit \leftarrow 1$			
		sfr.bit	3	2	–	$sfr.bit \leftarrow 1$			
		[HL].bit	2	2	–	$(HL).bit \leftarrow 1$			
		ES:[HL].bit	3	3	–	$(ES, HL).bit \leftarrow 1$			
	CLR1	A.bit	2	1	–	$A.bit \leftarrow 0$			
		PSW.bit	3	4	–	$PSW.bit \leftarrow 0$	x	x	x
		!addr16.bit	4	2	–	$(addr16).bit \leftarrow 0$			
		ES:!addr16.bit	5	3	–	$(ES, addr16).bit \leftarrow 0$			
		saddr.bit	3	2	–	$(saddr).bit \leftarrow 0$			
		sfr.bit	3	2	–	$sfr.bit \leftarrow 0$			
		[HL].bit	2	2	–	$(HL).bit \leftarrow 0$			
		ES:[HL].bit	3	3	–	$(ES, HL).bit \leftarrow 0$			
	SET1	CY	2	1	–	$CY \leftarrow 1$			1
	CLR1	CY	2	1	–	$CY \leftarrow 0$			0
	NOT1	CY	2	1	–	$CY \leftarrow \overline{CY}$			x

Notes 1. Number of CPU clocks (f_{CLK}) when the internal RAM area, SFR area, or extended SFR area is accessed, or when no data is accessed

2. Number of CPU clocks (f_{CLK}) when the code flash area is accessed.

Remark Number of clock is when program exists in the internal ROM (flash memory) area. If fetching the instruction from the internal RAM area, the number becomes double number plus 3 clocks at a maximum.

Table 40-5. Operation List (16/18)

Instruction Group	Mnemonic	Operands	Bytes	Clocks		Clocks	Flag		
				Note 1	Note 2		Z	AC	CY
Call/ return	CALL	rp	2	3	–	(SP – 2) ← (PC+2) _s , (SP – 3) ← (PC+2) _H , (SP – 4) ← (PC+2) _L , PC ← CS, rp, SP ← SP – 4			
		\$!addr20	3	3	–	(SP – 2) ← (PC+3) _s , (SP – 3) ← (PC+3) _H , (SP – 4) ← (PC+3) _L , PC ← PC+3+jdisp16, SP ← SP – 4			
		!addr16	3	3	–	(SP – 2) ← (PC+3) _s , (SP – 3) ← (PC+3) _H , (SP – 4) ← (PC+3) _L , PC ← 0000, addr16, SP ← SP – 4			
		!!addr20	4	3	–	(SP – 2) ← (PC+4) _s , (SP – 3) ← (PC+4) _H , (SP – 4) ← (PC+4) _L , PC ← addr20, SP ← SP – 4			
	CALLT	[addr5]	2	5	–	(SP – 2) ← (PC+2) _s , (SP – 3) ← (PC+2) _H , (SP – 4) ← (PC+2) _L , PC _s ← 0000, PC _H ← (0000, addr5+1), PC _L ← (0000, addr5), SP ← SP – 4			
	BRK	-	2	5	–	(SP – 1) ← PSW, (SP – 2) ← (PC+2) _s , (SP – 3) ← (PC+2) _H , (SP – 4) ← (PC+2) _L , PC _s ← 0000, PC _H ← (0007FH), PC _L ← (0007EH), SP ← SP – 4, IE ← 0			
	RET	-	1	6	–	PC _L ← (SP), PC _H ← (SP+1), PC _s ← (SP+2), SP ← SP+4			
RETI	-	2	6	–	PC _L ← (SP), PC _H ← (SP+1), PC _s ← (SP+2), PSW ← (SP+3), SP ← SP+4	R	R	R	
RETB	-	2	6	–	PC _L ← (SP), PC _H ← (SP+1), PC _s ← (SP+2), PSW ← (SP+3), SP ← SP+4	R	R	R	

- Notes 1.** Number of CPU clocks (f_{CLK}) when the internal RAM area, SFR area, or extended SFR area is accessed, or when no data is accessed.
- 2.** Number of CPU clocks (f_{CLK}) when the code flash area is accessed.

Remark Number of clock is when program exists in the internal ROM (flash memory) area. If fetching the instruction from the internal RAM area, the number becomes double number plus 3 clocks at a maximum.

Table 40-5. Operation List (17/18)

Instruction Group	Mnemonic	Operands	Bytes	Clocks		Clocks	Flag		
				Note 1	Note 2		Z	AC	CY
Stack manipulate	PUSH	PSW	2	1	–	(SP – 1) ← PSW, (SP – 2) ← 00H, SP ← SP – 2			
		rp	1	1	–	(SP – 1) ← rp _H , (SP – 2) ← rp _L , SP ← SP – 2			
	POP	PSW	2	3	–	PSW ← (SP+1), SP ← SP + 2	R	R	R
		rp	1	1	–	rp _L ← (SP), rp _H ← (SP+1), SP ← SP + 2			
	MOVW	SP, #word	4	1	–	SP ← word			
		SP, AX	2	1	–	SP ← AX			
		AX, SP	2	1	–	AX ← SP			
		HL, SP	3	1	–	HL ← SP			
		BC, SP	3	1	–	BC ← SP			
		DE, SP	3	1	–	DE ← SP			
ADDW	SP, #byte	2	1	–	SP ← SP + byte				
SUBW	SP, #byte	2	1	–	SP ← SP – byte				
Un-conditional branch	BR	AX	2	3	–	PC ← CS, AX			
		\$addr20	2	3	–	PC ← PC + 2 + jdisp8			
		!addr20	3	3	–	PC ← PC + 3 + jdisp16			
		!addr16	3	3	–	PC ← 0000, addr16			
		!!addr20	4	3	–	PC ← addr20			
Conditional branch	BC	\$addr20	2	2/4 ^{Note3}	–	PC ← PC + 2 + jdisp8 if CY = 1			
	BNC	\$addr20	2	2/4 ^{Note3}	–	PC ← PC + 2 + jdisp8 if CY = 0			
	BZ	\$addr20	2	2/4 ^{Note3}	–	PC ← PC + 2 + jdisp8 if Z = 1			
	BNZ	\$addr20	2	2/4 ^{Note3}	–	PC ← PC + 2 + jdisp8 if Z = 0			
	BH	\$addr20	3	2/4 ^{Note3}	–	PC ← PC + 3 + jdisp8 if (Z∨CY)=0			
	BNH	\$addr20	3	2/4 ^{Note3}	–	PC ← PC + 3 + jdisp8 if (Z∨CY)=1			
	BT	saddr.bit, \$addr20	4	3/5 ^{Note3}	–	PC ← PC + 4 + jdisp8 if (saddr).bit = 1			
		sfr.bit, \$addr20	4	3/5 ^{Note3}	–	PC ← PC + 4 + jdisp8 if sfr.bit = 1			
		A.bit, \$addr20	3	3/5 ^{Note3}	–	PC ← PC + 3 + jdisp8 if A.bit = 1			
		PSW.bit, \$addr20	4	3/5 ^{Note3}	–	PC ← PC + 4 + jdisp8 if PSW.bit = 1			
		[HL].bit, \$addr20	3	3/5 ^{Note3}	6/7	PC ← PC + 3 + jdisp8 if (HL).bit = 1			
ES:[HL].bit, \$addr20	4	4/6 ^{Note3}	7/8	PC ← PC + 4 + jdisp8 if (ES, HL).bit = 1					

- Notes 1.** Number of CPU clocks (f_{CLK}) when the internal RAM area, SFR area, or extended SFR area is accessed, or when no data is accessed.
- 2.** Number of CPU clocks (f_{CLK}) when the code flash area is accessed.
- 3.** This indicates the number of clocks “when condition is not met/when condition is met”.

Remark Number of clock is when program exists in the internal ROM (flash memory) area. If fetching the instruction from the internal RAM area, the number becomes double number plus 3 clocks at a maximum.

Table 40-5. Operation List (18/18)

Instruction Group	Mnemonic	Operands	Bytes	Clocks		Clocks	Flag		
				Note 1	Note 2		Z	AC	CY
Conditional branch	BF	saddr.bit, \$addr20	4	3/5 ^{Note3}	–	PC ← PC + 4 + jdisp8 if (saddr).bit = 0			
		sfr.bit, \$addr20	4	3/5 ^{Note3}	–	PC ← PC + 4 + jdisp8 if sfr.bit = 0			
		A.bit, \$addr20	3	3/5 ^{Note3}	–	PC ← PC + 3 + jdisp8 if A.bit = 0			
		PSW.bit, \$addr20	4	3/5 ^{Note3}	–	PC ← PC + 4 + jdisp8 if PSW.bit = 0			
		[HL].bit, \$addr20	3	3/5 ^{Note3}	6/7	PC ← PC + 3 + jdisp8 if (HL).bit = 0			
		ES:[HL].bit, \$addr20	4	4/6 ^{Note3}	7/8	PC ← PC + 4 + jdisp8 if (ES, HL).bit = 0			
	BTCLR	saddr.bit, \$addr20	4	3/5 ^{Note3}	–	PC ← PC + 4 + jdisp8 if (saddr).bit = 1 then reset (saddr).bit			
		sfr.bit, \$addr20	4	3/5 ^{Note3}	–	PC ← PC + 4 + jdisp8 if sfr.bit = 1 then reset sfr.bit			
		A.bit, \$addr20	3	3/5 ^{Note3}	–	PC ← PC + 3 + jdisp8 if A.bit = 1 then reset A.bit			
		PSW.bit, \$addr20	4	3/5 ^{Note3}	–	PC ← PC + 4 + jdisp8 if PSW.bit = 1 then reset PSW.bit	x	x	x
		[HL].bit, \$addr20	3	3/5 ^{Note3}	–	PC ← PC + 3 + jdisp8 if (HL).bit = 1 then reset (HL).bit			
		ES:[HL].bit, \$addr20	4	4/6 ^{Note3}	–	PC ← PC + 4 + jdisp8 if (ES, HL).bit = 1 then reset (ES, HL).bit			
Conditional skip	SKC	–	2	1	–	Next instruction skip if CY = 1			
	SKNC	–	2	1	–	Next instruction skip if CY = 0			
	SKZ	–	2	1	–	Next instruction skip if Z = 1			
	SKNZ	–	2	1	–	Next instruction skip if Z = 0			
	SKH	–	2	1	–	Next instruction skip if (Z∨CY)=0			
	SKNH	–	2	1	–	Next instruction skip if (Z∨CY)=1			
CPU control	SEL ^{Note4}	Rbn	2	1	–	RBS[1:0] ← n			
	NOP	–	1	1	–	No Operation			
	EI	–	3	4	–	IE ← 1 (Enable Interrupt)			
	DI	–	3	4	–	IE ← 0 (Disable Interrupt)			
	HALT	–	2	3	–	Set HALT Mode			
	STOP	–	2	3	–	Set STOP Mode			

- Notes 1.** Number of CPU clocks (f_{CLK}) when the internal RAM area, SFR area, or extended SFR area is accessed, or when no data is accessed.
- 2.** Number of CPU clocks (f_{CLK}) when the code flash area is accessed.
- 3.** This indicates the number of clocks “when condition is not met/when condition is met”.
- 4.** n indicates the number of register banks (n = 0 to 3).

Remark Number of clock is when program exists in the internal ROM (flash memory) area. If fetching the instruction from the internal RAM area, the number becomes double number plus 3 clocks at a maximum.

<R>

CHAPTER 41 ELECTRICAL SPECIFICATIONS

- Cautions**
1. These specifications show target values, which may change after device evaluation.
 2. The RL78 microcontrollers have an on-chip debug function, which is provided for development and evaluation. Do not use the on-chip debug function in products designated for mass production, because the guaranteed number of rewritable times of the flash memory may be exceeded when this function is used, and product reliability therefore cannot be guaranteed. Renesas Electronics is not liable for problems occurring when the on-chip debug function is used.
 3. The pins mounted depend on the product. See 2.1 Port Function List to 2.2.1 With functions for each product.

- Remarks**
1. In the descriptions in this chapter, read EV_{DD} as EV_{DD0} and EV_{DD1} , and EV_{SS} as EV_{SS0} and EV_{SS1} .
 2. For 64-pin products, read EV_{DD} as V_{DD} and EV_{SS} as V_{SS} .

41.1 Absolute Maximum Ratings

Absolute Maximum Ratings (1/3)

Parameter	Symbols	Conditions	Ratings	Unit
<R> Supply voltage	V _{DD}		-0.5 to +6.5	V
	EV _{DD}		-0.5 to +6.5	V
	VBAT		-0.5 to +6.5	V
	VRTC		-0.5 to +6.5	V
REGC pin input voltage	V _{IREGC}	REGC	-0.3 to +2.8 and -0.3 to V _{DD} ^{Note 4} +0.3 ^{Note 1}	V
Input voltage	V _{I1}	P02 to P07, P10 to P17, P30 to P37, P40 to P43, P50 to P57, P70 to P77, P80 to P85, P125 to P127	-0.3 to EV _{DD} +0.3 and -0.3 to V _{DD} ^{Note 4} +0.3 ^{Note 2}	V
	V _{I2}	P60 to P62 (N-ch open-drain)	-0.3 to +6.5	V
	V _{I3}	P20 to P25, P121 to P122, P137, P150 to 152, EXCLK	-0.3 to V _{DD} ^{Note 4} +0.3 ^{Note 2}	V
	V _{I4}	RESET	-0.3 to +6.5	V
	V _{I5}	P123, P124, EXCLKS	-0.3 to V _{RTC} +0.3 ^{Note 2}	V
Output voltage	V _{O1}	P02 to P07, P10 to P17, P30 to P37, P40 to P43, P50 to P57, P60 to P62, P70 to P77, P80 to P85, P125 to P127	-0.3 to EV _{DD} +0.3 and -0.3 to V _{DD} ^{Note 4} +0.3 ^{Note 2}	V
	V _{O2}	P20 to P25, P150 to P152	-0.3 to V _{DD} ^{Note 4} +0.3 ^{Note 2}	V
Analog input voltage	V _{AI1}	ANI0 to ANI5	-0.3 to V _{DD} ^{Note 4} +0.3 and -0.3 to AV _{REF(+)} +0.3 ^{Notes 2, 3}	V
	V _{AI2}	ANIP0 to ANIP3, ANIN0 to ANIN3	-0.6 to +2.8 and -0.6 to AREGC +0.3 ^{Note 5}	V
Reference supply voltage	V _{IDSAD}	AREGC, AVCM, AVRT	-0.3 to +2.8 and -0.3 to V _{DD} ^{Note 4} +0.3 ^{Note 6}	V

Notes 1. Connect the REGC pin to V_{SS} via a capacitor (0.47 to 1 μF). This value regulates the absolute maximum rating of the REGC pin. Do not use this pin with voltage applied to it.

2. Must be 6.5 V or lower.
3. Do not exceed AV_{REF(+)} + 0.3 V in case of A/D conversion target pin.
4. Either V_{DD} or VBAT is selected by the battery backup function.
5. The ΔΣ A/D conversion target pin must not exceed AREGC +0.3 V.
6. Connect AREGC, AVCM, and AVRT terminals to V_{SS} via capacitor (0.47 μF).

This value defines the absolute maximum rating of AREGC, AVCM, and AVRT terminal. Do not use with voltage applied.

Caution Product quality may suffer if the absolute maximum rating is exceeded even momentarily for any parameter. That is, the absolute maximum ratings are rated values at which the product is on the verge of suffering physical damage, and therefore the product must be used under conditions that ensure that the absolute maximum ratings are not exceeded.

Remarks 1. Unless specified otherwise, the characteristics of alternate-function pins are the same as those of the port pins.

2. AV_{REF(+)}: + side reference voltage of the A/D converter.
3. V_{SS}: Reference voltage

Absolute Maximum Ratings (2/3)

Parameter	Symbols	Conditions	Ratings	Unit
LCD voltage	V _{LI1}	V _{L1} voltage ^{Note 1}	-0.3 to 2.8 and -0.3 to V _{L4} +0.3	V
	V _{LI2}	V _{L2} voltage ^{Note 1}	-0.3 to V _{L4} +0.3 ^{Note 2}	V
	V _{LI3}	V _{L3} voltage ^{Note 1}	-0.3 to V _{L4} +0.3 ^{Note 2}	V
	V _{LI4}	V _{L4} voltage ^{Note 1}	-0.3 to +6.5	V
	V _{LCAP}	CAPL, CAPH voltage ^{Note 1}	-0.3 to V _{L4} +0.3 ^{Note 2}	V
	V _{OUT}	COM0 to COM7, SEG0 to SEG41, output voltage	External resistance division method	-0.3 to V _{DD} ^{Note 3} +0.3 ^{Note 2}
Capacitor split method			-0.3 to V _{DD} ^{Note 3} +0.3 ^{Note 2}	V
Internal voltage boosting method			-0.3 to V _{L4} +0.3 ^{Note 2}	V

- Notes**
- This value only indicates the absolute maximum ratings when applying voltage to the V_{L1}, V_{L2}, V_{L3}, and V_{L4} pins; it does not mean that applying voltage to these pins is recommended. When using the internal voltage boosting method or capacitance split method, connect these pins to V_{SS} via a capacitor (0.47 μ F \pm 30%) and connect a capacitor (0.47 μ F \pm 30%) between the CAPL and CAPH pins.
 - Must be 6.5 V or lower.
 - Either V_{DD} or V_{BAT} is selected by the battery backup function.

Caution Product quality may suffer if the absolute maximum rating is exceeded even momentarily for any parameter. That is, the absolute maximum ratings are rated values at which the product is on the verge of suffering physical damage, and therefore the product must be used under conditions that ensure that the absolute maximum ratings are not exceeded.

Remark V_{SS}: Reference voltage

Absolute Maximum Ratings (3/3)

Parameter	Symbols	Conditions		Ratings	Unit
Output current, high	I _{OH1}	Per pin	P02 to P07, P10 to P17, P30 to P37, P40 to P43, P50 to P57, P70 to P77, P80 to P85, P125 to P127	-40	mA
		Total of all pins -170 mA	P02 to P07, P40 to P43	-70	mA
			P10 to P17, P30 to P37, P50 to P57, P70 to P77, P80 to P85, P125 to P127	-100	mA
	I _{OH2}	Per pin	P20 to P25, P150 to P152	-0.5	mA
		Total of all pins		-2	mA
Output current, low	I _{OL1}	Per pin	P02 to P07, P10 to P17, P30 to P37, P40 to P43, P50 to P57, P70 to P77, P80 to P85, P125 to P127	40	mA
		Total of all pins 170 mA	P02 to P07, P40 to P43	70	mA
			P10 to P17, P30 to P37, P50 to P57, P60 to P62, P70 to P77, P80 to P85, P125 to P127	100	mA
	I _{OL2}	Per pin	P20 to P25, P150 to P152	1	mA
		Total of all pins		5	mA
Operating ambient temperature	T _A	In normal operation mode		-40 to +85	°C
		In flash memory programming mode			
Storage temperature	T _{stg}			-65 to +150	°C

Caution Product quality may suffer if the absolute maximum rating is exceeded even momentarily for any parameter. That is, the absolute maximum ratings are rated values at which the product is on the verge of suffering physical damage, and therefore the product must be used under conditions that ensure that the absolute maximum ratings are not exceeded.

Remark Unless specified otherwise, the characteristics of alternate-function pins are the same as those of the port pins.

41.2 Oscillator Characteristics

41.2.1 X1, XT1 oscillator characteristics

($T_A = -40$ to $+85^\circ\text{C}$, $1.7\text{ V} \leq V_{DD}^{\text{Note 2}} \leq 5.5\text{ V}$, $V_{SS} = 0\text{ V}$)

Parameter	Resonator	Conditions	MIN.	TYP.	MAX.	Unit
X1 clock oscillation frequency (f_x) ^{Notes 1, 2}	Ceramic resonator/ crystal resonator	$2.7\text{ V} \leq V_{DD} \leq 5.5\text{ V}$	1.0		20.0	MHz
		$2.5\text{ V} \leq V_{DD} < 2.7\text{ V}$	1.0		16.0	MHz
		$2.4\text{ V} \leq V_{DD} < 2.5\text{ V}$	1.0		12.0	MHz
		$1.9\text{ V} \leq V_{DD} < 2.4\text{ V}$	1.0		8.0	MHz
		$1.7\text{ V} \leq V_{DD} < 1.9\text{ V}$	1.0		4.0	MHz
XT1 clock oscillation frequency (f_{XT}) ^{Notes 1, 2}	Crystal resonator		32	32.768	35	kHz

- Notes**
1. Indicates only permissible oscillator frequency ranges. See **41.4 AC Characteristics** for instruction execution time. Request evaluation by the manufacturer of the oscillator circuit mounted on a board to check the oscillator characteristics.
 2. Either V_{DD} or V_{BAT} is selected by the battery backup function.

Caution Since the CPU is started by the high-speed on-chip oscillator clock after a reset release, check the X1 clock oscillation stabilization time using the oscillation stabilization time counter status register (OSTC) by the user. Determine the oscillation stabilization time of the OSTC register and the oscillation stabilization time select register (OSTS) after sufficiently evaluating the oscillation stabilization time with the resonator to be used.

Remark When using the X1 oscillator and XT1 oscillator, see **6.4 System Clock Oscillator**.

41.2.2 On-chip oscillator characteristics

(TA = -40 to +85°C, 1.7 V ≤ V_{DD}^{Note 3} ≤ 5.5 V, V_{SS} = 0 V)

Oscillators	Parameters	Conditions		MIN.	TYP.	MAX.	Unit
High-speed on-chip oscillator clock frequency ^{Notes 1, 2}	f _{IH}			1.5		24	MHz
High-speed on-chip oscillator clock frequency accuracy		-20 to +85°C	1.9 V ≤ V _{DD} ^{Note 3} ≤ 5.5 V	-1.0		+1.0	%
			1.7 V ≤ V _{DD} ^{Note 3} ≤ 1.9 V	-5.0		+5.0	%
		-40 to -20°C	1.9 V ≤ V _{DD} ^{Note 3} ≤ 5.5 V	-1.5		+1.5	%
			1.7 V ≤ V _{DD} ^{Note 3} ≤ 1.9 V	-5.5		+5.5	%
<R> Middle-speed on-chip oscillator clock frequency ^{Note 2}	f _{IM}			1		4	MHz
<R> Middle-speed on-chip oscillator clock frequency accuracy		1.9 V ≤ V _{DD} ^{Note 3} ≤ 5.5 V		-12		+12	%
Low-speed on-chip oscillator clock frequency	f _{IL}				15		kHz
Low-speed on-chip oscillator clock frequency accuracy				-15		+15	%

Notes 1. The high-speed on-chip oscillator frequency is selected by using bits 0 to 3 of option byte (000C2H/010C2H) and bits 0 to 2 of the HOCODIV register.

2. This indicates the oscillator characteristics only. See **41.4 AC Characteristics** for the instruction execution time.

3. Either V_{DD} or V_{BAT} is selected by the battery backup function.

41.2.3 PLL oscillator characteristics

(TA = -40 to +85°C, 2.7 V ≤ VDD^{Note 2} ≤ 5.5 V, VSS = 0 V)

Oscillators	Parameters	Conditions	MIN.	TYP.	MAX.	Unit
PLL input frequency	f _{PLLIN}	f _{IH}		4		MHz
PLL output frequency	f _{PLL}			32		MHz
Lockup wait time		Wait time from PLL output enable to frequency stabilization	40			μs
Interval wait time		Wait time from PLL stop to PLL restart setting	4			μs
Setting wait time		Wait time from PLL input clock stabilization and PLL setting fixedness to start-up setting	1			μs

Notes 1. Indicates only permissible oscillator frequency ranges.

2. Either V_{DD} or V_{BAT} is selected by the battery backup function.

41.3 DC Characteristics

41.3.1 Pin characteristics

($T_A = -40$ to $+85^\circ\text{C}$, $1.7\text{ V} \leq \text{EV}_{\text{DD}0} = \text{EV}_{\text{DD}1} \leq \text{V}_{\text{DD}}^{\text{Note 4}} \leq 5.5\text{ V}$, $\text{V}_{\text{SS}} = \text{EV}_{\text{SS}0} = \text{EV}_{\text{SS}1} = 0\text{ V}$)

Items	Symbol	Conditions	MIN.	TYP.	MAX.	Unit	
Output current, high ^{Note 1}	$\text{I}_{\text{OH}1}$	Per pin for P02 to P07, P10 to P17, P30 to P37, P40 to P43, P50 to P57, P70 to P77, P80 to P85, P125 to P127	$1.9\text{ V} \leq \text{EV}_{\text{DD}} \leq 5.5\text{ V}$			$-10.0^{\text{Note 2}}$	mA
		Total of P02 to P07, P40 to P43 (When duty = 70% ^{Note 3})	$4.0\text{ V} \leq \text{EV}_{\text{DD}} \leq 5.5\text{ V}$			-55.0	mA
			$2.7\text{ V} \leq \text{EV}_{\text{DD}} < 4.0\text{ V}$			-10.0	mA
			$1.9\text{ V} \leq \text{EV}_{\text{DD}} < 2.7\text{ V}$			-5.0	mA
			$1.7\text{ V} \leq \text{EV}_{\text{DD}} < 1.9\text{ V}$			-2.5	mA
		Total of P10 to P17, P30 to P37, P50 to P57, P70 to P77, P80 to P85, P125 to P127 (When duty = 70% ^{Note 3})	$4.0\text{ V} \leq \text{EV}_{\text{DD}} \leq 5.5\text{ V}$			-80.0	mA
			$2.7\text{ V} \leq \text{EV}_{\text{DD}} < 4.0\text{ V}$			-19.0	mA
			$1.9\text{ V} \leq \text{EV}_{\text{DD}} < 2.7\text{ V}$			-10.0	mA
			$1.7\text{ V} \leq \text{EV}_{\text{DD}} < 1.9\text{ V}$			-5.0	mA
		Total of all pins (When duty = 70% ^{Note 3})				-100.0	mA
$\text{I}_{\text{OH}2}$	Per pin for P20 to P25, P150 to P152	$1.7\text{ V} \leq \text{V}_{\text{DD}}^{\text{Note 4}} \leq 5.5\text{ V}$			$-0.1^{\text{Note 2}}$	mA	
	Total of all pins (When duty = 70% ^{Note 3})	$1.7\text{ V} \leq \text{V}_{\text{DD}}^{\text{Note 4}} \leq 5.5\text{ V}$			-0.9	mA	

- Notes**
- Value of current at which the device operation is guaranteed even if the current flows from the EV_{DD} and V_{DD} pins to an output pin.
 - Do not exceed the total current value.
 - Specification under conditions where the duty factor $\leq 70\%$.
The output current value that has changed to the duty factor $> 70\%$ the duty ratio can be calculated with the following expression (when changing the duty factor from 70% to n%).
 - Total output current of pins = $(\text{I}_{\text{OH}} \times 0.7) / (n \times 0.01)$
<Example> Where $n = 80\%$ and $\text{I}_{\text{OH}} = -10.0\text{ mA}$
Total output current of pins = $(-10.0 \times 0.7) / (80 \times 0.01) \cong -8.7\text{ mA}$
 However, the current that is allowed to flow into one pin does not vary depending on the duty factor.
A current higher than the absolute maximum rating must not flow into one pin.
 - Either V_{DD} or VBAT is selected by the battery backup function.

Caution P02 to P07, P12 to P17, P31, P56, P57, P80 to P82, P84, and P85 do not output high level in N-ch open-drain mode.

Remark Unless specified otherwise, the characteristics of alternate-function pins are the same as those of the port pins.

($T_A = -40$ to $+85^\circ\text{C}$, $1.7\text{ V} \leq EV_{DD0} = EV_{DD1} \leq V_{DD}^{\text{Note 4}} \leq 5.5\text{ V}$, $V_{SS} = EV_{SS0} = EV_{SS1} = 0\text{ V}$)

Items	Symbol	Conditions	MIN.	TYP.	MAX.	Unit	
Output current, low ^{Note 1}	I _{OL1}	Per pin for P02 to P07, P10 to P17, P30 to P37, P40 to P43, P50 to P57, P70 to P77, P80 to P85, P125 to P127			20.0 ^{Note 2}	mA	
		Per pin for P60 to P62			15.0 ^{Note 2}	mA	
		Total of P02 to P07, P40 to P43 (When duty = 70% ^{Note 3})	$4.0\text{ V} \leq EV_{DD} \leq 5.5\text{ V}$			70.0	mA
			$2.7\text{ V} \leq EV_{DD} < 4.0\text{ V}$			15.0	mA
			$1.9\text{ V} \leq EV_{DD} < 2.7\text{ V}$			9.0	mA
			$1.7\text{ V} \leq EV_{DD} < 1.9\text{ V}$			4.5	mA
		Total of P10 to P17, P30 to P37, P50 to P57, P60 to P62, P70 to P77, P80 to P85, P125 to P127 (When duty = 70% ^{Note 3})	$4.0\text{ V} \leq EV_{DD} \leq 5.5\text{ V}$			80.0	mA
			$2.7\text{ V} \leq EV_{DD} < 4.0\text{ V}$			35.0	mA
			$1.9\text{ V} \leq EV_{DD} < 2.7\text{ V}$			20.0	mA
			$1.7\text{ V} \leq EV_{DD} < 1.9\text{ V}$			10.0	mA
	Total of all pins (When duty = 70% ^{Note 3})				150.0	mA	
	I _{OL2}	Per pin for P20 to P25, P150 to P152	$1.7\text{ V} \leq V_{DD}^{\text{Note 4}} \leq 5.5\text{ V}$			0.4 ^{Note 2}	mA
		Total of all pins (When duty = 70% ^{Note 3})	$1.7\text{ V} \leq V_{DD}^{\text{Note 4}} \leq 5.5\text{ V}$			3.6	mA

Notes 1. Value of current at which the device operation is guaranteed even if the current flows from an output pin to the EV_{SS} and V_{SS} pins.

2. However, do not exceed the total current value.

3. Specification under conditions where the duty factor $\leq 70\%$.

The output current value that has changed to the duty factor $> 70\%$ the duty ratio can be calculated with the following expression (when changing the duty factor from 70% to n%).

- Total output current of pins = $(I_{OL} \times 0.7)/(n \times 0.01)$

<Example> Where $n = 80\%$ and $I_{OL} = 10.0\text{ mA}$

$$\text{Total output current of pins} = (10.0 \times 0.7)/(80 \times 0.01) \cong 8.7\text{ mA}$$

However, the current that is allowed to flow into one pin does not vary depending on the duty factor. A current higher than the absolute maximum rating must not flow into one pin.

4. Either V_{DD} or V_{BAT} is selected by the battery backup function.

Remark Unless specified otherwise, the characteristics of alternate-function pins are the same as those of the port pins.

($T_A = -40$ to $+85^\circ\text{C}$, $1.7\text{ V} \leq EV_{DD0} = EV_{DD1} \leq V_{DD}^{\text{Note}} \leq 5.5\text{ V}$, $V_{SS} = EV_{SS0} = EV_{SS1} = 0\text{ V}$)

Items	Symbol	Conditions	MIN.	TYP.	MAX.	Unit	
Input voltage, high	V_{IH1}	P02 to P07, P10 to P17, P30 to P37, P40 to P43, P50 to P57, P70 to P77, P80 to P85, P125 to P127	Normal input buffer	$0.8EV_{DD}$		EV_{DD}	V
	V_{IH2}	P02, P03, P05, P06, P12, P13, P15, P16, P30, P55, P57, P80, P81, P84	TTL input buffer $4.0\text{ V} \leq EV_{DD} \leq 5.5\text{ V}$	2.2		EV_{DD}	V
			TTL input buffer $3.3\text{ V} \leq EV_{DD} < 4.0\text{ V}$	2.0		EV_{DD}	V
			TTL input buffer $1.7\text{ V} \leq EV_{DD} < 3.3\text{ V}$	1.5		EV_{DD}	V
	V_{IH3}	P20 to P25		$0.7V_{DD}^{\text{Note}}$		V_{DD}^{Note}	V
	V_{IH4}	P60 to P62		$0.7EV_{DD}$		6.0	V
	V_{IH5}	P121 to P122, P137, P150 to P152, EXCLK		$0.8V_{DD}^{\text{Note}}$		V_{DD}^{Note}	V
	V_{IH6}	RESET		$0.8V_{DD}^{\text{Note}}$		6.0	V
V_{IH7}	P123, P124, EXCLKS		$0.8V_{RTC}$		V_{RTC}	V	
Input voltage, low	V_{IL1}	P02 to P07, P10 to P17, P30 to P37, P40 to P43, P50 to P57, P70 to P77, P80 to P85, P125 to P127	Normal input buffer	0		$0.2EV_{DD}$	V
	V_{IL2}	P02, P03, P05, P06, P12, P13, P15, P16, P30, P55, P57, P80, P81, P84	TTL input buffer $4.0\text{ V} \leq EV_{DD} \leq 5.5\text{ V}$	0		0.8	V
			TTL input buffer $3.3\text{ V} \leq EV_{DD} < 4.0\text{ V}$	0		0.5	V
			TTL input buffer $1.7\text{ V} \leq EV_{DD} < 3.3\text{ V}$	0		0.32	V
	V_{IL3}	P20 to P25		0		$0.3V_{DD}^{\text{Note}}$	V
	V_{IL4}	P60 to P62		0		$0.3EV_{DD}$	V
	V_{IL5}	P121, P122, P137, P150 to P152, EXCLK, RESET		0		$0.2V_{DD}^{\text{Note}}$	V
	V_{IL6}	P123, P124, EXCLKS		0		$0.2V_{RTC}$	V

Note Either V_{DD} or V_{BAT} is selected by the battery backup function.

Caution The maximum value of V_{IH} of pins P02 to P07, P12 to P17, P31, P56, P57, P80 to P82, P84, and P85 is EV_{DD} , even in the N-ch open-drain mode.

Remark Unless specified otherwise, the characteristics of alternate-function pins are the same as those of the port pins.

($T_A = -40$ to $+85^\circ\text{C}$, $1.7\text{ V} \leq EV_{DD0} = EV_{DD1} \leq V_{DD}^{\text{Note}} \leq 5.5\text{ V}$, $V_{SS} = EV_{SS0} = EV_{SS1} = 0\text{ V}$)

Items	Symbol	Conditions	MIN.	TYP.	MAX.	Unit
Output voltage, high	V_{OH1}	P02 to P07, P10 to P17, P30 to P37, P40 to P43, P50 to P57, P70 to P77, P80 to P85, P125 to P127	$4.0\text{ V} \leq EV_{DD} \leq 5.5\text{ V}$, $I_{OH1} = -10.0\text{ mA}$	$EV_{DD} - 1.5$		V
			$4.0\text{ V} \leq EV_{DD} \leq 5.5\text{ V}$, $I_{OH1} = -3.0\text{ mA}$	$EV_{DD} - 0.7$		V
			$2.7\text{ V} \leq EV_{DD} \leq 5.5\text{ V}$, $I_{OH1} = -2.0\text{ mA}$	$EV_{DD} - 0.6$		V
			$1.9\text{ V} \leq EV_{DD} \leq 5.5\text{ V}$, $I_{OH1} = -1.5\text{ mA}$	$EV_{DD} - 0.5$		V
			$1.7\text{ V} \leq EV_{DD} \leq 5.5\text{ V}$, $I_{OH1} = -1.0\text{ mA}$	$EV_{DD} - 0.5$		V
	V_{OH2}	P20 to P25, P150 to P152	$1.7\text{ V} \leq V_{DD}^{\text{Note}} \leq 5.5\text{ V}$, $I_{OH2} = -100\ \mu\text{A}$	$V_{DD} - 0.5$		V
Output voltage, low	V_{OL1}	P02 to P07, P10 to P17, P30 to P37, P40 to P43, P50 to P57, P70 to P77, P80 to P85, P125 to P127	$4.0\text{ V} \leq EV_{DD} \leq 5.5\text{ V}$, $I_{OL1} = 20\text{ mA}$		1.3	V
			$4.0\text{ V} \leq EV_{DD} \leq 5.5\text{ V}$, $I_{OL1} = 8.5\text{ mA}$		0.7	V
			$2.7\text{ V} \leq EV_{DD} \leq 5.5\text{ V}$, $I_{OL1} = 3.0\text{ mA}$		0.6	V
			$2.7\text{ V} \leq EV_{DD} \leq 5.5\text{ V}$, $I_{OL1} = 1.5\text{ mA}$		0.4	V
			$1.9\text{ V} \leq EV_{DD} \leq 5.5\text{ V}$, $I_{OL1} = 0.6\text{ mA}$		0.4	V
			$1.7\text{ V} \leq EV_{DD} \leq 5.5\text{ V}$, $I_{OL1} = 0.3\text{ mA}$		0.4	V
	V_{OL2}	P20 to P25, P150 to P152	$1.7\text{ V} \leq V_{DD}^{\text{Note}} \leq 5.5\text{ V}$, $I_{OL2} = 400\ \mu\text{A}$		0.4	V
	V_{OL3}	P60 to P62	$4.0\text{ V} \leq EV_{DD} \leq 5.5\text{ V}$, $I_{OL3} = 15.0\text{ mA}$		2.0	V
			$4.0\text{ V} \leq EV_{DD} \leq 5.5\text{ V}$, $I_{OL3} = 5.0\text{ mA}$		0.4	V
			$2.7\text{ V} \leq EV_{DD} \leq 5.5\text{ V}$, $I_{OL3} = 3.0\text{ mA}$		0.4	V
			$1.9\text{ V} \leq EV_{DD} \leq 5.5\text{ V}$, $I_{OL3} = 2.0\text{ mA}$		0.4	V
			$1.7\text{ V} \leq EV_{DD} \leq 5.5\text{ V}$, $I_{OL3} = 1.0\text{ mA}$		0.4	V

Note Either V_{DD} or V_{BAT} is selected by the battery backup function.

Caution P02 to P07, P12 to P17, P31, P56, P57, P80 to P82, P84, and P85 do not output high level in N-ch open-drain mode.

Remark Unless specified otherwise, the characteristics of alternate-function pins are the same as those of the port pins.

($T_A = -40$ to $+85^\circ\text{C}$, $1.7\text{ V} \leq EV_{DD0} = EV_{DD1} \leq V_{DD}^{\text{Note}} \leq 5.5\text{ V}$, $V_{SS} = EV_{SS0} = EV_{SS1} = 0\text{ V}$)

Items	Symbol	Conditions	MIN.	TYP.	MAX.	Unit			
Input leakage current, high	I _{LIH1}	P02 to P07, P10 to P17, P30 to P37, P40 to P43, P50 to P57, P60 to P62, P70 to P77, P80 to P85, P125 to P127	V _I = EV _{DD}		1	μA			
			V _I = V _{DD} ^{Note}		1	μA			
	I _{LIH3}	P121, P122 (X1, X2, EXCLK)	V _I = V _{DD} ^{Note}		1	μA			
			In resonator connection		10	μA			
	I _{LIH4}	P123, P124 (EXCLKS)	V _I = V _{RTC}		1	μA			
			In resonator connection		10	μA			
Input leakage current, low	I _{LIL1}	P02 to P07, P10 to P17, P30 to P37, P40 to P43, P50 to P57, P70 to P77, P80 to P85, P125 to P127	V _I = EV _{SS}		-1	μA			
			V _I = V _{SS}		-1	μA			
	I _{LIL3}	P121, P122 (X1, X2, EXCLK)	V _I = V _{SS}		-1	μA			
			In resonator connection		-10	μA			
	I _{LIL4}	P123, P124 (EXCLKS)	V _I = V _{SS}		-1	μA			
			In resonator connection		-10	μA			
On-chip pull-up resistance	R _{U1}	P10 to P17, P30 to P37, P50 to P57, P70 to P77, P80 to P85, P125 to P127	V _I = EV _{SS}		2.4 V ≤ EV _{DD} ≤ 5.5 V	10	20	100	kΩ
					1.7 V ≤ EV _{DD} ≤ 5.5 V	10	30	100	kΩ
	R _{U2}	P02 to P07, P40 to P43, P150 to P152	V _I = EV _{SS}		10	20	100	kΩ	

Note Either V_{DD} or V_{BAT} is selected by the battery backup function.

Remark Unless specified otherwise, the characteristics of alternate-function pins are the same as those of the port pins.

41.3.2 Supply current characteristics

(TA = -40 to +85°C, 1.7 V ≤ EVDD0 = EVDD1 ≤ VDD^{Note 8} ≤ 5.5 V, VSS = EVSS0 = EVSS1 = 0 V)

(1/6)

<R>	Parameter	Symbol	Conditions				MIN.	TYP.	MAX.	Unit	
	Supply current ^{Note 1}	IDD1	Operating mode	HS (high-speed main) mode ^{Note 5}	f _{CLK} = 32 MHz ^{Note 3} PLL operation	Normal operation	V _{DD} = 5.0 V		5.2	8.5	mA
							V _{DD} = 3.0 V		5.2	8.5	mA
					f _{IH} = 24 MHz ^{Note 3}	Basic operation	V _{DD} = 5.0 V		1.7		mA
							V _{DD} = 3.0 V		1.7		mA
						Normal operation	V _{DD} = 5.0 V		3.9	6.6	mA
							V _{DD} = 3.0 V		3.9	6.6	mA
					f _{IH} = 12 MHz ^{Note 3}	Normal operation	V _{DD} = 5.0 V		2.4	3.8	mA
							V _{DD} = 3.0 V		2.4	3.8	mA
					f _{IH} = 6 MHz ^{Note 3}	Normal operation	V _{DD} = 5.0 V		1.7	2.6	mA
							V _{DD} = 3.0 V		1.7	2.6	mA
					f _{IH} = 3 MHz ^{Note 3}	Normal operation	V _{DD} = 5.0 V		1.3	2.0	mA
							V _{DD} = 3.0 V		1.3	2.0	mA
				LS (low-speed main) mode ^{Note 5}	f _{IH} = 8 MHz ^{Note 3}	Normal operation	V _{DD} = 3.0 V		1.3	2.2	mA
							V _{DD} = 2.0 V		1.3	2.2	mA
					f _{IH} = 6 MHz ^{Note 3}	Normal operation	V _{DD} = 3.0 V		1.1	2.1	mA
							V _{DD} = 2.0 V		1.1	2.1	mA
					f _{IH} = 4 MHz ^{Note 3}	Normal operation	V _{DD} = 3.0 V		0.84	1.40	mA
							V _{DD} = 2.0 V		0.84	1.40	mA
					f _{IM} = 4 MHz ^{Note 6}	Normal operation	V _{DD} = 3.0 V		0.70	1.20	mA
							V _{DD} = 2.0 V		0.70	1.20	mA
				f _{IH} = 3 MHz ^{Note 3}	Normal operation	V _{DD} = 3.0 V		0.7	1.4	mA	
						V _{DD} = 2.0 V		0.7	1.4	mA	
				LV (low-voltage main) mode ^{Note 5}	f _{IH} = 4 MHz ^{Note 3}	Normal operation	V _{DD} = 3.0 V		1.3	1.9	mA
							V _{DD} = 2.0 V		1.3	1.9	mA
LP (low-power main) mode ^{Note 5}	f _{IH} = 1 MHz ^{Note 3}	Normal operation	V _{DD} = 3.0 V		315	530	μA				
			V _{DD} = 2.0 V		315	530	μA				
	f _{IM} = 1 MHz ^{Note 6}	Normal operation	V _{DD} = 3.0 V		160	300	μA				
			V _{DD} = 2.0 V		160	300	μA				

(Notes and Remarks are listed on the page after the next page.)

(TA = -40 to +85°C, 1.7 V ≤ EVDD0 = EVDD1 ≤ VDD^{Note 8} ≤ 5.5 V, VSS = EVSS0 = EVSS1 = 0 V)

(2/6)

<R>	Parameter	Symbol	Conditions				MIN.	TYP.	MAX.	Unit
	Supply current ^{Note 1}	IDD1	Operating mode	HS (high-speed main) mode ^{Note 5}	f _{MX} = 20 MHz ^{Note 2} , V _{DD} = 5.0 V	Normal operation	Square wave input	3.3	5.5	mA
							Resonator connection	3.5	5.7	mA
					f _{MX} = 20 MHz ^{Note 2} , V _{DD} = 3.0 V	Normal operation	Square wave input	3.3	5.5	mA
							Resonator connection	3.5	5.7	mA
					f _{MX} = 16 MHz ^{Note 2} , V _{DD} = 5.0 V	Normal operation	Square wave input	2.8	4.4	mA
							Resonator connection	2.9	4.6	mA
					f _{MX} = 16 MHz ^{Note 2} , V _{DD} = 3.0 V	Normal operation	Square wave input	2.8	4.4	mA
							Resonator connection	2.9	4.6	mA
					f _{MX} = 12 MHz ^{Note 2} , V _{DD} = 5.0 V	Normal operation	Square wave input	2.3	3.6	mA
							Resonator connection	2.4	3.7	mA
					f _{MX} = 12 MHz ^{Note 2} , V _{DD} = 3.0 V	Normal operation	Square wave input	2.3	3.6	mA
							Resonator connection	2.4	3.7	mA
					f _{MX} = 10 MHz ^{Note 2} , V _{DD} = 5.0 V	Normal operation	Square wave input	2.0	3.2	mA
							Resonator connection	2.1	3.3	mA
					f _{MX} = 10 MHz ^{Note 2} , V _{DD} = 3.0 V	Normal operation	Square wave input	2.0	3.2	mA
							Resonator connection	2.1	3.3	mA
				LS (low-speed main) mode ^{Note 5}	f _{MX} = 8 MHz ^{Note 2} , V _{DD} = 3.0 V	Normal operation	Square wave input	1.1	2.0	mA
							Resonator connection	1.2	2.1	mA
					f _{MX} = 8 MHz ^{Note 2} , V _{DD} = 2.0 V	Normal operation	Square wave input	1.1	2.0	mA
							Resonator connection	1.2	2.1	mA
					f _{MX} = 4 MHz ^{Note 2} , V _{DD} = 3.0 V	Normal operation	Square wave input	0.7	1.2	mA
							Resonator connection	0.7	1.3	mA
					f _{MX} = 4 MHz ^{Note 2} , V _{DD} = 2.0 V	Normal operation	Square wave input	0.7	1.2	mA
							Resonator connection	0.7	1.3	mA
				LP (low-power main) mode ^{Note 5}	f _{IH} = 1 MHz ^{Note 2} , V _{DD} = 3.0 V	Normal operation	Square wave input	140	240	μA
							Resonator connection	190	300	μA
					f _{IH} = 1 MHz ^{Note 2} , V _{DD} = 2.0 V	Normal operation	Square wave input	140	240	μA
							Resonator connection	190	300	μA
				Subclock operation	f _{SUB} = 32.768 kHz ^{Note 4} , T _A = -40°C	Normal operation	Square wave input	5.1	6.6	μA
							Resonator connection	5.2	6.7	μA
					f _{SUB} = 32.768 kHz ^{Note 4} , T _A = +25°C	Normal operation	Square wave input	5.4	7.1	μA
							Resonator connection	5.5	7.2	μA
f _{SUB} = 32.768 kHz ^{Note 4} , T _A = +50°C	Normal operation	Square wave input	5.6		8.0	μA				
		Resonator connection	5.7		8.1	μA				
f _{SUB} = 32.768 kHz ^{Note 4} , T _A = +70°C	Normal operation	Square wave input	6.1		9.7	μA				
		Resonator connection	6.2		9.8	μA				
f _{SUB} = 32.768 kHz ^{Note 4} , T _A = +85°C	Normal operation	Square wave input	6.8		13.7	μA				
		Resonator connection	6.9		13.8	μA				
f _{IL} = 15 kHz, T _A = +85°C ^{Note 7}	Normal operation		2.5	7.0	μA					
f _{IL} = 15 kHz, T _A = -40°C ^{Note 7}	Normal operation		2.8	7.0	μA					
f _{IL} = 15 kHz, T _A = +25°C ^{Note 7}	Normal operation		4.1	11.0	μA					

(Notes and Remarks are listed on the next page.)

- Notes**
1. Total current flowing into V_{DD} , EV_{DD} , and V_{RTC} including the input leakage current flowing when the level of the input pin is fixed to V_{DD} , EV_{DD} or V_{SS} , EV_{SS} . The values below the MAX. column include the peripheral operation current. However, not including the current flowing into the LCD controller/driver, A/D converter, $\Delta\Sigma$ A/D converter, LVD circuit, battery backup circuit, I/O port, and on-chip pull-up/pull-down resistors. When the VBAT pin (pin for battery backup) is selected, current flowing into VBAT.
 2. When high-speed on-chip oscillator, middle-speed on-chip oscillator, low-speed on-chip oscillator, and subsystem clock are stopped.
 3. When high-speed system clock, middle-speed on-chip oscillator, low-speed on-chip oscillator, and subsystem clock are stopped.
 4. When high-speed on-chip oscillator, middle-speed on-chip oscillator, and high-speed system clock are stopped. When setting ultra-low current consumption (AMPHS1 = 1). However, not including the current flowing into Independent power supply RTC, 12-bit interval timer, and watchdog timer.
 5. Relationship between operation voltage width, operation frequency of CPU and operation mode is as below.
 - HS (high-speed main) mode: $2.8\text{ V} \leq V_{DD} \leq 5.5\text{ V}@1\text{ MHz to }32\text{ MHz}$
 - $2.7\text{ V} \leq V_{DD} \leq 5.5\text{ V}@1\text{ MHz to }24\text{ MHz}$
 - $2.5\text{ V} \leq V_{DD} \leq 5.5\text{ V}@1\text{ MHz to }16\text{ MHz}$
 - $2.4\text{ V} \leq V_{DD} \leq 5.5\text{ V}@1\text{ MHz to }12\text{ MHz}$
 - $2.1\text{ V} \leq V_{DD} \leq 5.5\text{ V}@1\text{ MHz to }6\text{ MHz}$
 - LS (low-speed main) mode: $1.9\text{ V} \leq V_{DD} \leq 5.5\text{ V}@1\text{ MHz to }8\text{ MHz}$
 - LP (low-power main) mode: $1.9\text{ V} \leq V_{DD} \leq 5.5\text{ V}@1\text{ MHz}$
 - LV (low-voltage main) mode: $1.7\text{ V} \leq V_{DD} \leq 5.5\text{ V}@1\text{ MHz to }4\text{ MHz}$
 6. When high-speed on-chip oscillator, low-speed on-chip oscillator, high-speed system clock, and subsystem clock are stopped.
 - <R> 7. When high-speed on-chip oscillator, middle-speed on-chip oscillator, high-speed system clock, and subsystem clock are stopped.
 8. Either V_{DD} or VBAT is selected by the battery backup function.

- Remarks**
1. f_{MX} : High-speed system clock frequency (X1 clock oscillation frequency or external main system clock frequency)
 2. f_{IH} : High-speed on-chip oscillator clock frequency
 3. f_{IM} : Middle-speed on-chip oscillator clock frequency
 4. f_{IL} : Low-speed on-chip oscillator clock frequency
 5. f_{SUB} : Subsystem clock frequency (XT1 clock oscillation frequency)
 6. Except subsystem clock operation, temperature condition of the TYP. value is $T_A = 25^\circ\text{C}$

(TA = -40 to +85°C, 1.7 V ≤ EVDD0 = EVDD1 ≤ VDD^{Note 10} ≤ 5.5 V, VSS = EVSS0 = EVSS1 = 0 V)

(3/6)

<R>	Parameter	Symbol	Conditions		MIN.	TYP.	MAX.	Unit	
	Supply current ^{Note 1}	IDD2 ^{Note 2}	HALT mode	HS (high-speed main) mode ^{Note 7}	f _{CLK} = 32 MHz ^{Note 4} , PLL operation	V _{DD} = 5.0 V	0.80	2.0	mA
						V _{DD} = 3.0 V	0.80	2.0	mA
					f _{IH} = 24 MHz ^{Note 4}	V _{DD} = 5.0 V	0.48	1.45	mA
						V _{DD} = 3.0 V	0.48	1.45	mA
					f _{IH} = 12 MHz ^{Note 4}	V _{DD} = 5.0 V	0.37	0.91	mA
						V _{DD} = 3.0 V	0.37	0.91	mA
				f _{IH} = 6 MHz ^{Note 4}	V _{DD} = 5.0 V	0.32	0.63	mA	
					V _{DD} = 3.0 V	0.32	0.63	mA	
				f _{IH} = 3 MHz ^{Note 4}	V _{DD} = 5.0 V	0.29	0.49	mA	
					V _{DD} = 3.0 V	0.29	0.49	mA	
				LS (low-speed main) mode ^{Note 7}	f _{IH} = 8 MHz ^{Note 4}	V _{DD} = 3.0 V	280	740	μA
						V _{DD} = 2.0 V	280	740	μA
					f _{IH} = 6 MHz ^{Note 4}	V _{DD} = 3.0 V	230	620	μA
						V _{DD} = 2.0 V	230	620	μA
					f _{IH} = 4 MHz ^{Note 4}	V _{DD} = 3.0 V	220	440	μA
						V _{DD} = 2.0 V	220	440	μA
					f _{IM} = 4 MHz ^{Note 9}	V _{DD} = 3.0 V	55	300	μA
						V _{DD} = 2.0 V	55	300	μA
			f _{IH} = 3 MHz ^{Note 4}		V _{DD} = 3.0 V	200	534	μA	
					V _{DD} = 2.0 V	200	534	μA	
			LV (low-voltage main) mode ^{Note 7}	f _{IH} = 4 MHz ^{Note 4}	V _{DD} = 3.0 V	450	825	μA	
					V _{DD} = 2.0 V	450	825	μA	
			LP (low-power main) mode ^{Note 7}	f _{IH} = 1 MHz ^{Note 4}	V _{DD} = 3.0 V	195	400	μA	
					V _{DD} = 2.0 V	195	400	μA	
				f _{IM} = 1 MHz ^{Note 9}	V _{DD} = 3.0 V	33	100	μA	
					V _{DD} = 2.0 V	33	100	μA	
			HS (high-speed main) mode ^{Note 7}	f _{MX} = 20 MHz ^{Note 3} , V _{DD} = 5.0 V	Square wave input	0.31	1.08	mA	
					Resonator connection	0.48	1.28	mA	
				f _{MX} = 20 MHz ^{Note 3} , V _{DD} = 3.0 V	Square wave input	0.31	1.08	mA	
					Resonator connection	0.48	1.28	mA	
				f _{MX} = 16 MHz ^{Note 3} , V _{DD} = 5.0 V	Square wave input	0.28	0.86	mA	
					Resonator connection	0.42	1.00	mA	
f _{MX} = 16 MHz ^{Note 3} , V _{DD} = 3.0 V	Square wave input	0.28		0.86	mA				
	Resonator connection	0.42		1.00	mA				
f _{MX} = 12 MHz ^{Note 3} , V _{DD} = 5.0 V	Square wave input	0.23		0.70	mA				
	Resonator connection	0.37		0.79	mA				
f _{MX} = 12 MHz ^{Note 3} , V _{DD} = 3.0 V	Square wave input	0.23		0.70	mA				
	Resonator connection	0.36		0.79	mA				
f _{MX} = 10 MHz ^{Note 3} , V _{DD} = 5.0 V	Square wave input	0.21	0.63	mA					
	Resonator connection	0.29	0.71	mA					
f _{MX} = 10 MHz ^{Note 3} , V _{DD} = 3.0 V	Square wave input	0.21	0.63	mA					
	Resonator connection	0.28	0.71	mA					

(Notes and Remarks are listed on the page after the next page.)

(T_A = -40 to +85°C, 1.7 V ≤ EV_{DD0} = EV_{DD1} ≤ V_{DD}^{Note 10} ≤ 5.5 V, V_{SS} = EV_{SS0} = EV_{SS1} = 0 V) (4/6)

<R>	Parameter	Symbol	Conditions		MIN.	TYP.	MAX.	Unit	
	Supply current ^{Note 1}	I _{DD2} ^{Note 2}	HALT mode	LS (low-speed main) mode ^{Note 7}	f _{MX} = 8 MHz ^{Note 3} , V _{DD} = 3.0 V	Square wave input	110	360	μA
						Resonator connection	160	420	μA
					f _{MX} = 8 MHz ^{Note 3} , V _{DD} = 2.0 V	Square wave input	110	360	μA
						Resonator connection	160	420	μA
					f _{MX} = 4 MHz ^{Note 3} , V _{DD} = 3.0 V	Square wave input	39	200	μA
						Resonator connection	81	250	μA
				f _{MX} = 4 MHz ^{Note 3} , V _{DD} = 2.0 V	Square wave input	39	200	μA	
					Resonator connection	81	250	μA	
				LP (low-power main) mode ^{Note 7}	f _{MX} = 1 MHz ^{Note 3} , V _{DD} = 3.0 V	Square wave input	14	100	μA
						Resonator connection	70	200	μA
					f _{MX} = 1 MHz ^{Note 3} , V _{DD} = 2.0 V	Square wave input	14	100	μA
						Resonator connection	70	200	μA
			Subsystem clock operation		f _{SUB} = 32.768 kHz ^{Note 5} , T _A = -40°C	Square wave input	0.80	1.60	μA
						Resonator connection	1.00	1.80	μA
				f _{SUB} = 32.768 kHz ^{Note 5} , T _A = +25°C	Square wave input	0.93	1.70	μA	
					Resonator connection	1.13	1.90	μA	
				f _{SUB} = 32.768 kHz ^{Note 5} , T _A = +50°C	Square wave input	1.10	3.00	μA	
					Resonator connection	1.30	3.20	μA	
				f _{SUB} = 32.768 kHz ^{Note 5} , T _A = +70°C	Square wave input	1.50	5.00	μA	
					Resonator connection	1.70	5.20	μA	
			f _{SUB} = 32.768 kHz ^{Note 5} , T _A = +85°C	Square wave input	2.80	9.00	μA		
				Resonator connection	3.00	9.20	μA		
I _{DD3} ^{Note 6}	STOP mode ^{Note 8}	T _A = -40°C		0.47	0.90	μA			
		T _A = +25°C		0.65	1.20	μA			
		T _A = +50°C		0.84	2.80	μA			
		T _A = +70°C		1.21	4.70	μA			
		T _A = +85°C		1.82	9.00	μA			

(Notes and Remarks are listed on the next page.)

- Notes**
1. Total current flowing into V_{DD} , EV_{DD} , and V_{RTC} including the input leakage current flowing when the level of the input pin is fixed to V_{DD} , EV_{DD} or V_{SS} , EV_{SS} . The values below the MAX. column include the peripheral operation current. However, not including the current flowing into the LCD controller/driver, A/D converter, $\Delta\Sigma$ A/D converter, LVD circuit, battery backup circuit, I/O port, and on-chip pull-up/pull-down resistors. When the VBAT pin (pin for battery backup) is selected, current flowing into VBAT.
 2. During HALT instruction execution by flash memory.
 3. When high-speed on-chip oscillator, middle-speed on-chip oscillator, low-speed on-chip oscillator, and subsystem clock are stopped.
 4. When high-speed system clock, middle-speed on-chip oscillator, low-speed on-chip oscillator, and subsystem clock are stopped.
 5. When operating independent power supply RTC and setting ultra-low current consumption (AMPHS1 = 1). When high-speed on-chip oscillator, middle-speed on-chip oscillator, and high-speed system clock are stopped. However, not including the current flowing into the 12-bit interval timer and watchdog timer.
 6. When high-speed on-chip oscillator, high-speed system clock, and subsystem clock are stopped. However, not including the current flowing into independent power supply RTC, 12-bit interval timer, and watchdog timer.
 7. Relationship between operation voltage width, operation frequency of CPU and operation mode is as below.
 - HS (high-speed main) mode: $2.8\text{ V} \leq V_{DD} \leq 5.5\text{ V}$ @1 MHz to 32 MHz
 - $2.7\text{ V} \leq V_{DD} \leq 5.5\text{ V}$ @1 MHz to 24 MHz
 - $2.5\text{ V} \leq V_{DD} \leq 5.5\text{ V}$ @1 MHz to 16 MHz
 - $2.4\text{ V} \leq V_{DD} \leq 5.5\text{ V}$ @1 MHz to 12 MHz
 - $2.1\text{ V} \leq V_{DD} \leq 5.5\text{ V}$ @1 MHz to 6 MHz
 - LS (low-speed main) mode: $1.9\text{ V} \leq V_{DD} \leq 5.5\text{ V}$ @1 MHz to 8 MHz
 - LP (low-power main) mode: $1.9\text{ V} \leq V_{DD} \leq 5.5\text{ V}$ @1 MHz
 - LV (low-voltage main) mode: $1.7\text{ V} \leq V_{DD} \leq 5.5\text{ V}$ @1 MHz to 4 MHz
 8. If operation of the subsystem clock when STOP mode, same as when HALT mode of subsystem clock operation.
 9. When high-speed on-chip oscillator, middle-speed on-chip oscillator, and high-speed system clock are stopped.
 10. Either V_{DD} or VBAT is selected by the battery backup function.

<R>

- Remarks**
1. f_{MX} : High-speed system clock frequency (X1 clock oscillation frequency or external main system clock frequency)
 2. f_{IH} : High-speed on-chip oscillator clock frequency
 3. f_{IM} : Middle-speed on-chip oscillator clock frequency
 4. f_{IL} : Low-speed on-chip oscillator clock frequency
 5. f_{SUB} : Subsystem clock frequency (XT1 clock oscillation frequency)
 6. Except subsystem clock operation and STOP mode, temperature condition of the TYP. value is $T_A = 25^\circ\text{C}$

(TA = -40 to +85°C, 1.7 V ≤ EVDD0 = EVDD1 ≤ VDD^{Note 15} ≤ 5.5 V, VSS = EVSS0 = EVSS1 = 0 V) (5/6)

<R>	Parameter	Symbol	Conditions	MIN.	TYP.	MAX.	Unit	
	Independent power supply RTC operating current	IRTC ^{Notes 3}	f _{SUB} = 32.768 kHz		0.70		μA	
	12-bit interval timer operating current	ITMKA ^{Notes 1, 2, 4}	f _{SUB} = 32.768 kHz, f _{MAIN} is stopped		0.04		μA	
	8-bit interval timer operating current	ITMT ^{Notes 1, 2, 5}	f _{SUB} = 32.768 kHz, f _{MAIN} is stopped, per unit	8-bit counter mode × 2 ch operation		0.12	μA	
16-bit counter mode operation				0.10	μA			
	Watchdog timer operating current	IWDT ^{Notes 1, 2, 6}	f _{IL} = 15 kHz, f _{MAIN} is stopped		0.22		μA	
	LVD operating current	ILVD ^{Notes 1, 7}			0.10		μA	
	LVDVDD operating current	ILVDVDD	Current flowing to V _{DD}		0.05		μA	
			Current flowing to V _{DD} or V _{BAT} ^{Note 1}		0.04		μA	
	LVDVBAT operating current	ILVDVBAT	Current flowing to V _{BAT}		0.04		μA	
			Current flowing to V _{DD} or V _{BAT} ^{Note 1}		0.04		μA	
	LVDVRTC operating current	ILVDVRTC	Current flowing to V _{RTC}		0.04		μA	
			Current flowing to V _{DD} or V _{BAT} ^{Note 1}		0.04		μA	
	LVDEXLVD operating current	ILVDEXLVD	Current flowing to EXLVD		0.16		μA	
			Current flowing to V _{DD} or V _{BAT} ^{Note 1}		0.04		μA	
	Oscillation stop detection circuit operating current	I _{OSDC} ^{Note 1}			0.02		μA	
	Battery backup circuit operating current	I _{BUP} ^{Note 1}			0.05		μA	
	A/D converter operating current	I _{ADC} ^{Notes 1, 8}	When conversion at maximum speed	Normal mode, AV _{REFP} = V _{DD} = 5.0 V		1.3	2.4	mA
				Low voltage mode, AV _{REFP} = V _{DD} = 3.0 V		0.5	1.0	mA
	A/D converter reference voltage current	I _{ADREF} ^{Note 1}			75.0		μA	
	Temperature sensor operating current	ITMPS ^{Note 1}			105		μA	
	BGO operating current	I _{BGO} ^{Notes 1, 9}			2.00	12.20	mA	
	Self-programming operating current	I _{FSP} ^{Notes 1, 10}			2.00	12.20	mA	

(Notes and Remarks are listed on the next page.)

($T_A = -40$ to $+85^\circ\text{C}$, $1.7\text{ V} \leq EV_{DD0} = EV_{DD1} \leq V_{DD} \text{ Note } 15 \leq 5.5\text{ V}$, $V_{SS} = EV_{SS0} = EV_{SS1} = 0\text{ V}$) (6/6)

Parameter	Symbol	Conditions		MIN.	TYP.	MAX.	Unit
24-Bit $\Delta\Sigma$ A/D Converter operating current	I_{DSAD} Notes 1, 11	In 4 ch $\Delta\Sigma$ A/D converter operation			1.45	2.30	mA
		In 3 ch $\Delta\Sigma$ A/D converter operation			1.14	1.85	mA
		In 1 ch $\Delta\Sigma$ A/D converter operation			0.52	0.94	mA
SNOOZE operating current	I_{SNOZ} Notes 1, 12	ADC operation	The mode is performed		0.50	0.80	mA
			The A/D conversion operations are performed, low voltage mode, $AV_{REFP} = V_{DD} = 3.0\text{ V}$		1.20	1.80	mA
		CSI/UART operation			0.70	1.05	mA
		DTC operation			2.20		mA
LCD operating current	I_{LCD1} Notes 1, 13, 14	External resistance division method	$f_{LCD} = f_{SUB}$ LCD clock = 128 Hz 1/3 bias, four-time-slices	$V_{DD} = 5.0\text{ V}$, $V_{L4} = 5.0\text{ V}$		0.06	μA
	I_{LCD2} Notes 1, 13	Internal voltage boosting method	$f_{LCD} = f_{SUB}$ LCD clock = 128 Hz 1/3 bias, four-time-slices	$V_{DD} = 3.0\text{ V}$, $V_{L4} = 3.0\text{ V}$ (VLCD = 04H)		0.85	μA
					$V_{DD} = 5.0\text{ V}$, $V_{L4} = 5.1\text{ V}$ (VLCD = 12H)		1.55
I_{LCD3} Notes 1, 13	Capacitor split method	$f_{LCD} = f_{SUB}$ LCD clock = 128 Hz 1/3 bias, four-time-slices	$V_{DD} = 3.0\text{ V}$, $V_{L4} = 3.0\text{ V}$		0.20	μA	

Notes 1. Current flowing to V_{DD} . When the VBAT pin (battery backup power supply pin) is selected, current flowing to the VBAT.

2. When high speed on-chip oscillator and high-speed system clock are stopped.

<R> 3. Current flowing to VRTC pin, including RTC power supply, subsystem clock oscillator circuit, and RTC.

4. Current flowing only to the 12-bit interval timer (excluding the operating current of the low-speed on-chip oscillator and XT1 oscillator). The value of the current value of the RL78 microcontrollers is the sum of the values of either I_{DD1} or I_{DD2} , and I_{TMKA} , when the 12-bit interval timer operates in operation mode or HALT mode. When the low-speed on-chip oscillator is selected, I_{FIL} should be added.

5. Current flowing only to the 8-bit interval timer (excluding the operating current of the low-speed on-chip oscillator and XT1 oscillator). The value of the current value of the RL78 microcontrollers is the sum of the values of either I_{DD1} or I_{DD2} , and I_{TMT} , when the 8-bit interval timer operates in operation mode or HALT mode. When the low-speed on-chip oscillator is selected, I_{FIL} should be added.

6. Current flowing only to the watchdog timer (including the operating current of the low-speed on-chip oscillator). The current value of the RL78 microcontrollers is the sum of I_{DD1} , I_{DD2} or I_{DD3} and I_{WDT} when the watchdog timer operates.

7. Current flowing only to the LVD circuit. The current value of the RL78 microcontrollers is the sum of I_{DD1} , I_{DD2} or I_{DD3} and I_{LVD} when the LVD circuit operates.

8. Current flowing only to the A/D converter. The current value of the RL78 microcontrollers is the sum of I_{DD1} or I_{DD2} and I_{ADC} when the A/D converter operates in an operation mode or the HALT mode.

9. Current flowing only during rewrite of 1 KB data flash memory.

10. Current flowing only during self programming.

11. Current flowing only to the 24-bit $\Delta\Sigma$ A/D converter. The current value of the RL78 microcontrollers is the sum of I_{DD1} or I_{DD2} , and I_{DSAD} when the 24-bit $\Delta\Sigma$ A/D converter operates.

12. For shift time to the SNOOZE mode, see **26.3.3 SNOOZE mode**.

Notes 13. Current flowing only to the LCD controller/driver. The current value of the RL78 microcontrollers is the sum of the LCD operating current (I_{LCD1} , I_{LCD2} or I_{LCD3}) to the supply current (I_{DD1} , or I_{DD2}) when the LCD controller/driver operates in an operation mode or HALT mode. Not including the current that flows through the LCD panel. Conditions of the TYP. value and MAX. value are as follows.

- Setting 20 pins as the segment function and blinking all
- Selecting f_{SUB} for system clock when LCD clock = 128 Hz ($LCDC0 = 07H$)
- Setting four time slices and 1/3 bias

14. Not including the current flowing into the external division resistor when using the external resistance division method.

15. Either V_{DD} or V_{BAT} is selected by the battery backup function.

Remarks 1. f_{IL} : Low-speed on-chip oscillator clock frequency

2. f_{SUB} : Subsystem clock frequency (XT1 clock oscillation frequency)

3. f_{CLK} : CPU/peripheral hardware clock frequency

4. Temperature condition of the TYP. value is $T_A = 25^\circ\text{C}$

41.4 AC Characteristics

(T_A = -40 to +85°C, 1.7 V ≤ EV_{DD0} = EV_{DD1} ≤ V_{DD}^{Note 1} ≤ 5.5 V, V_{SS} = EV_{SS0} = EV_{SS1} = 0 V) (1/2)

Items	Symbol	Conditions		MIN.	TYP.	MAX.	Unit			
Instruction cycle (minimum instruction execution time)	T _{CY}	Main system clock (f _{MAIN}) operation	HS (high-speed main) mode	2.8 V ≤ V _{DD} ^{Note 1} ≤ 5.5 V	0.03125		1	μs		
				2.7 V ≤ V _{DD} ^{Note 1} < 2.8 V	0.04167		1	μs		
				2.5 V ≤ V _{DD} ^{Note 1} < 2.7 V	0.0625		1	μs		
				2.4 V ≤ V _{DD} ^{Note 1} < 2.5 V	0.08333		1	μs		
				2.1 V ≤ V _{DD} ^{Note 1} < 2.4 V	0.16667		1	μs		
				LS (low-speed main) mode	1.9 V ≤ V _{DD} ^{Note 1} ≤ 5.5 V	0.125		1	μs	
				LS (low-speed main) mode @4 MHz	1.9 V ≤ V _{DD} ^{Note 1} ≤ 5.5 V	0.25		1	μs	
				LP (low-power main) mode	1.9 V ≤ V _{DD} ^{Note 1} ≤ 5.5 V	1		2	μs	
				LV (low-voltage main) mode	1.7 V ≤ V _{DD} ^{Note 1} ≤ 5.5 V	0.25		1	μs	
				Subsystem clock (f _{SUB}) operation	1.9 V ≤ V _{DD} ^{Note 1} ≤ 5.5 V	28.5	30.5	31.3	μs	
				In the self programming mode	HS (high-speed main) mode	2.8 V ≤ V _{DD} ^{Note 1} ≤ 5.5 V	0.03125		1	μs
						2.7 V ≤ V _{DD} ^{Note 1} < 2.8 V	0.04167		1	μs
						2.5 V ≤ V _{DD} ^{Note 1} < 2.7 V	0.0625		1	μs
						2.4 V ≤ V _{DD} ^{Note 1} < 2.5 V	0.08333		1	μs
		2.1 V ≤ V _{DD} ^{Note 1} < 2.4 V	0.16667				1	μs		
		LS (low-speed main) mode	1.9 V ≤ V _{DD} ^{Note 1} ≤ 5.5 V		0.125		1	μs		
		LV (low-voltage main) mode	1.7 V ≤ V _{DD} ^{Note 1} ≤ 5.5 V	0.25		1	μs			
External system clock frequency	f _{EX}	2.7 V ≤ V _{DD} ^{Note 1} ≤ 5.5 V		1		20	MHz			
		2.5 V ≤ V _{DD} ^{Note 1} < 2.7 V		1		16	MHz			
		2.4 V ≤ V _{DD} ^{Note 1} < 2.5 V		1		12	MHz			
		1.9 V ≤ V _{DD} ^{Note 1} < 2.4 V		1		8	MHz			
		1.7 V ≤ V _{DD} ^{Note 1} < 1.9 V		1		4	MHz			
	f _{EXS}			32		35	kHz			
External system clock input high-level width, low-level width	t _{EXH} , t _{EXL}	2.7 V ≤ V _{DD} ^{Note 1} ≤ 5.5 V		24			ns			
		2.5 V ≤ V _{DD} ^{Note 1} < 2.7 V		30			ns			
		2.4 V ≤ V _{DD} ^{Note 1} < 2.5 V		40			ns			
		1.9 V ≤ V _{DD} ^{Note 1} < 2.4 V		60			ns			
		1.7 V ≤ V _{DD} ^{Note 1} < 1.9 V		120			ns			
	t _{EXHS} , t _{EXLS}			13.7			μs			
TI00 to TI07 input high-level width, low-level width	t _{TIH} , t _{TIL}			1/f _{MCK} +10			ns ^{Note 2}			

(Notes and Remarks are listed on the next page.)

($T_A = -40$ to $+85^\circ\text{C}$, $1.7\text{ V} \leq EV_{DD0} = EV_{DD1} \leq V_{DD}^{\text{Note 1}} \leq 5.5\text{ V}$, $V_{SS} = EV_{SS0} = EV_{SS1} = 0\text{ V}$) (2/2)

Items	Symbol	Conditions	MIN.	TYP.	MAX.	Unit	
TO00 to TO07 output frequency	f_{TO}	HS (high-speed main) mode	$4.0\text{ V} \leq EV_{DD} \leq 5.5\text{ V}$			16	MHz
			$2.7\text{ V} \leq EV_{DD} < 4.0\text{ V}$			8	MHz
			$2.4\text{ V} \leq EV_{DD} < 2.7\text{ V}$			4	MHz
			$2.1\text{ V} \leq EV_{DD} < 2.4\text{ V}$			4	MHz
		LS (low-speed main) mode	$1.9\text{ V} \leq EV_{DD} \leq 5.5\text{ V}$			4	MHz
		LP (low-power main) mode	$1.9\text{ V} \leq EV_{DD} \leq 5.5\text{ V}$			0.5	MHz
PCLBUZ0, PCLBUZ1 output frequency	f_{PCL}	HS (high-speed main) mode	$4.0\text{ V} \leq EV_{DD} \leq 5.5\text{ V}$			16	MHz
			$2.7\text{ V} \leq EV_{DD} < 4.0\text{ V}$			8	MHz
			$2.4\text{ V} \leq EV_{DD} < 2.7\text{ V}$			4	MHz
			$2.1\text{ V} \leq EV_{DD} < 2.4\text{ V}$			4	MHz
		LS (low-speed main) mode	$1.9\text{ V} \leq EV_{DD} \leq 5.5\text{ V}$			4	MHz
		LP (low-power main) mode	$1.9\text{ V} \leq EV_{DD} \leq 5.5\text{ V}$			1	MHz
		LV (low-voltage main) mode	$1.9\text{ V} \leq EV_{DD} \leq 5.5\text{ V}$			4	MHz
<R> Interrupt input high-level width, low-level width	t_{INTH} , t_{INTL}	INTP0	$1.7\text{ V} \leq V_{DD}^{\text{Note 1}} \leq 5.5\text{ V}$	1		μs	
		INTP1 to INTP7	$1.7\text{ V} \leq EV_{DD} \leq 5.5\text{ V}$	1		μs	
<R> Key interrupt input low-level width	t_{KR}	KR0 to KR7	$1.9\text{ V} \leq EV_{DD} \leq 5.5\text{ V}$	250		ns	
			$1.7\text{ V} \leq EV_{DD} < 1.9\text{ V}$	1		μs	
$\overline{\text{RESET}}$ low-level width	t_{RSL}			10		μs	

Notes 1. Either V_{DD} or V_{BAT} is selected by the battery backup function.

2. The following conditions are required for low voltage interface:

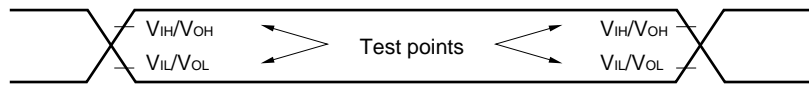
$1.9\text{ V} \leq V_{DD} < 2.7\text{ V}$: MIN. 125 ns

Remark f_{MCK} : Timer array unit operation clock frequency

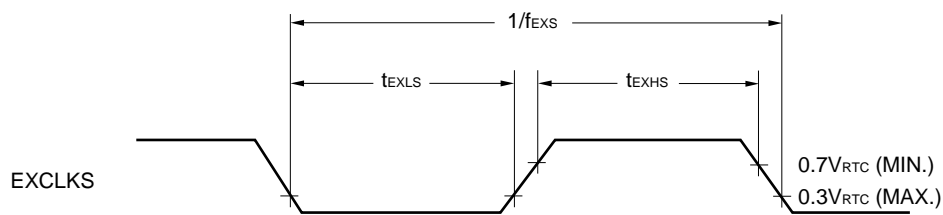
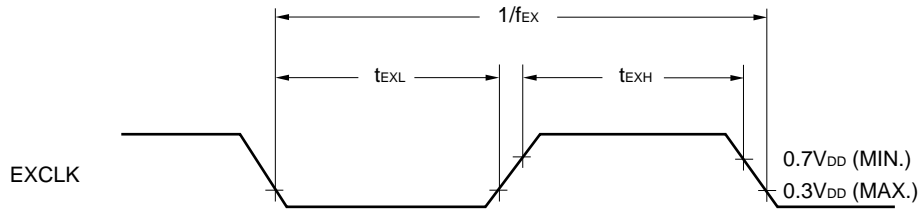
(Operation clock to be set by the $CKSmn0$, $CKSmn1$ bits of timer mode register mn (TMR mn))

m : Unit number ($m = 0$), n : Channel number ($n = 0$ to 7))

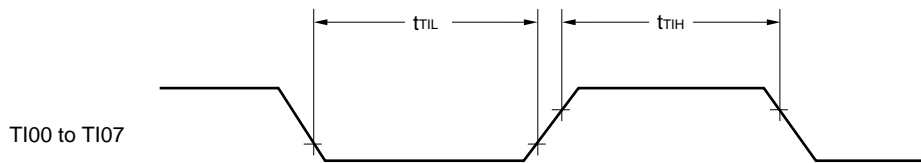
AC Timing Test Points



External System Clock Timing



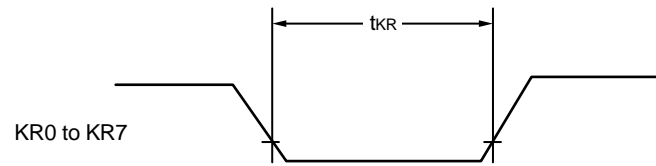
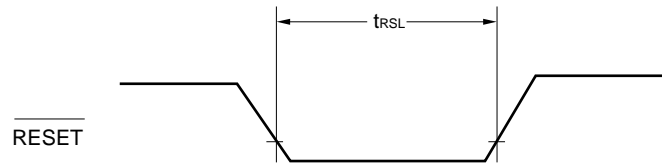
TI/TO Timing



Interrupt Request Input Timing

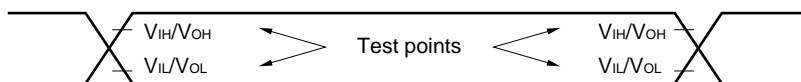


<R> Key interrupt Input Timing

 $\overline{\text{RESET}}$ Input Timing

41.5 Peripheral Functions Characteristics

AC Timing Test Points



41.5.1 Serial array unit

(1) During communication at same potential (UART mode) (dedicated baud rate generator output)

($T_A = -40$ to $+85^\circ\text{C}$, $1.7\text{ V} \leq EV_{DD0} = EV_{DD1} \leq V_{DD}^{\text{Note 4}} \leq 5.5\text{ V}$, $V_{SS} = EV_{SS0} = EV_{SS1} = 0\text{ V}$)

Parameter	Symbol	Conditions	HS (high-speed main) Mode		LS (low-speed main) Mode		LP (low-power main) Mode		LV (low-voltage main) Mode		Unit
			MIN.	MAX.	MIN.	MAX.	MIN.	MAX.	MIN.	MAX.	
Transfer rate ^{Note 1}		2.4 V \leq V _{DD} \leq 5.5 V		f _{MCK} /6 ^{Note 2}		f _{MCK} /6 ^{Note 2}		f _{MCK} /6 ^{Note 2}		f _{MCK} /6 ^{Note 2}	bps
		Theoretical value of the maximum transfer rate f _{MCK} = f _{CLK} ^{Note 3}		4.0		1.3		0.1		0.6	Mbps
		1.9 V \leq V _{DD} \leq 5.5 V		f _{MCK} /6 ^{Note 2}		f _{MCK} /6 ^{Note 2}		f _{MCK} /6 ^{Note 2}		f _{MCK} /6 ^{Note 2}	bps
		Theoretical value of the maximum transfer rate f _{MCK} = f _{CLK} ^{Note 3}		1.0		1.3		0.1		0.6	Mbps
		1.8 V \leq V _{DD} \leq 5.5 V		f _{MCK} /6 ^{Note 2}		f _{MCK} /6 ^{Note 2}		f _{MCK} /6 ^{Note 2}		f _{MCK} /6 ^{Note 2}	bps
		Theoretical value of the maximum transfer rate f _{MCK} = f _{CLK} ^{Note 3}		1.0		1.3		0.1		0.6	Mbps
		1.7 V \leq V _{DD} \leq 5.5 V								f _{MCK} /6 ^{Note 2}	bps
		Theoretical value of the maximum transfer rate f _{MCK} = f _{CLK} ^{Note 3}								0.6	Mbps

Notes 1. Transfer rate in the SNOOZE mode is 4800 bps only.

2. The following conditions are required for low voltage interface.

2.4 V \leq EV_{DD} < 2.7 V: MAX. 2.6 Mbps

1.9 V \leq EV_{DD} < 2.4 V: MAX. 1.3 Mbps

3. The maximum operating frequencies of the CPU/peripheral hardware clock (f_{CLK}) are:

HS (high-speed main) mode: 32 MHz (2.8 V \leq EV_{DD} \leq 5.5 V), 24 MHz (2.7 V \leq EV_{DD} \leq 5.5 V),

16 MHz (2.5 V \leq EV_{DD} \leq 5.5 V), 12 MHz (2.4 V \leq EV_{DD} \leq 5.5 V),

6 MHz (2.1 V \leq EV_{DD} \leq 5.5 V),

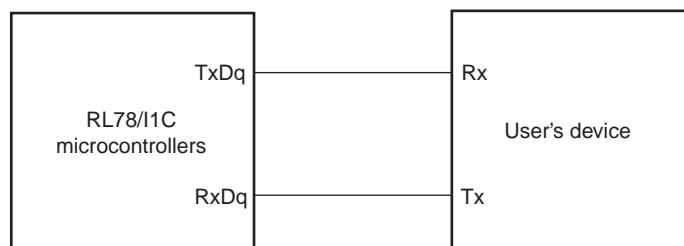
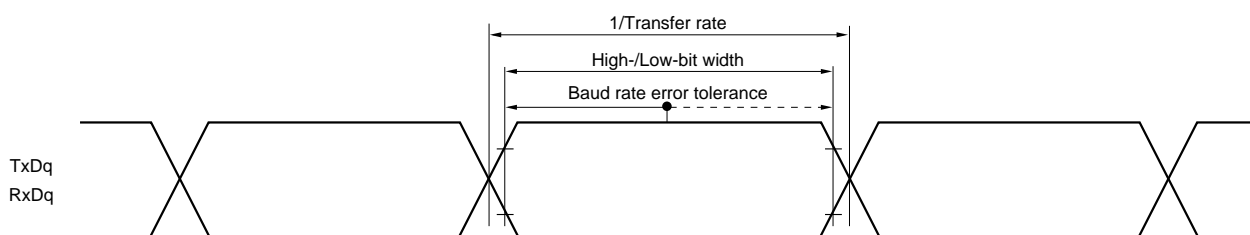
LS (low-speed main) mode: 8 MHz (1.9 V \leq EV_{DD} \leq 5.5 V), 4 MHz (1.9 V \leq EV_{DD} \leq 5.5 V)

LP (low-power main) mode: 1 MHz (1.9 V \leq EV_{DD} \leq 5.5 V)

LV (low-voltage main) mode: 4 MHz (1.7 V \leq EV_{DD} \leq 5.5 V)

4. Either V_{DD} or V_{BAT} is selected by the battery backup function.

Caution Select the normal input buffer for the RxDq pin and the normal output mode for the TxDq pin by using port input mode register g (PIMg) and port output mode register g (POMg).

UART mode connection diagram (during communication at same potential)**UART mode bit width (during communication at same potential) (reference)**

- Remarks 1.** q: UART number (q = 0 to 3), g: PIM and POM number (g = 0, 1, 3, 5, 8)
- 2.** f_{MCK} : Serial array unit operation clock frequency
 (Operating clock that is set with the serial clock select register m (SPSm) and the CKSmn bit of serial mode register mn (SMRmn).
 m: Unit number, n: Channel number (mn = 00 to 03, 10 to 13))

(2) During communication at same potential (CSI mode) (master mode, SCKp... internal clock output)**($T_A = -40$ to $+85^\circ\text{C}$, $1.7\text{ V} \leq \text{EVDD}_0 = \text{EVDD}_1 \leq \text{VDD}^{\text{Note 4}} \leq 5.5\text{ V}$, $\text{VSS} = \text{EVSS}_0 = \text{EVSS}_1 = 0\text{ V}$)**

Parameter	Symbol	Conditions	HS (high-speed main) Mode		LS (low-speed main) Mode		LP (low-power main) Mode		LV (low-voltage main) Mode		Unit
			MIN.	MAX.	MIN.	MAX.	MIN.	MAX.	MIN.	MAX.	
SCKp cycle time	t_{KCY1}	$2.7\text{ V} \leq \text{EVDD} \leq 5.5\text{ V}$	125		500		4000		1000		ns
		$2.4\text{ V} \leq \text{EVDD} \leq 5.5\text{ V}$	250		500		4000		1000		ns
		$1.9\text{ V} \leq \text{EVDD} \leq 5.5\text{ V}$	500		500		4000		1000		ns
		$1.8\text{ V} \leq \text{EVDD} \leq 5.5\text{ V}$	1000		1000		4000		1000		ns
		$1.7\text{ V} \leq \text{EVDD} \leq 5.5\text{ V}$			1000		4000		1000		ns
SCKp high-/low-level width	t_{KH1} , t_{KL1}	$4.0\text{ V} \leq \text{EVDD} \leq 5.5\text{ V}$	$t_{\text{KCY1}}/$ 2 – 12		$t_{\text{KCY1}}/$ 2 – 50		$t_{\text{KCY1}}/$ 2 – 50		$t_{\text{KCY1}}/$ 2 – 50		ns
		$2.7\text{ V} \leq \text{EVDD} \leq 5.5\text{ V}$	$t_{\text{KCY1}}/$ 2 – 18		$t_{\text{KCY1}}/$ 2 – 50		$t_{\text{KCY1}}/$ 2 – 50		$t_{\text{KCY1}}/$ 2 – 50		ns
		$2.4\text{ V} \leq \text{EVDD} \leq 5.5\text{ V}$	$t_{\text{KCY1}}/$ 2 – 38		$t_{\text{KCY1}}/$ 2 – 50		$t_{\text{KCY1}}/$ 2 – 50		$t_{\text{KCY1}}/$ 2 – 50		ns
		$1.9\text{ V} \leq \text{EVDD} \leq 5.5\text{ V}$	$t_{\text{KCY1}}/$ 2 – 50		$t_{\text{KCY1}}/$ 2 – 50		$t_{\text{KCY1}}/$ 2 – 50		$t_{\text{KCY1}}/$ 2 – 50		ns
		$1.8\text{ V} \leq \text{EVDD} \leq 5.5\text{ V}$			$t_{\text{KCY1}}/$ 2 – 100		$t_{\text{KCY1}}/$ 2 – 100		$t_{\text{KCY1}}/$ 2 – 100		ns
		$1.7\text{ V} \leq \text{EVDD} \leq 5.5\text{ V}$			$t_{\text{KCY1}}/$ 2 – 100		$t_{\text{KCY1}}/$ 2 – 100		$t_{\text{KCY1}}/$ 2 – 100		ns
Slp setup time (to SCKp \uparrow) ^{Note 1}	t_{SIK1}	$4.0\text{ V} \leq \text{EVDD} \leq 5.5\text{ V}$	44		110		110		110		ns
		$2.7\text{ V} \leq \text{EVDD} \leq 5.5\text{ V}$	44		110		110		110		ns
		$2.4\text{ V} \leq \text{EVDD} \leq 5.5\text{ V}$	75		110		110		110		ns
		$1.9\text{ V} \leq \text{EVDD} \leq 5.5\text{ V}$	110		110		110		110		ns
		$1.8\text{ V} \leq \text{EVDD} \leq 5.5\text{ V}$	220		220		220		220		ns
		$1.7\text{ V} \leq \text{EVDD} \leq 5.5\text{ V}$			220		220		220		ns
Slp hold time (from SCKp \uparrow) ^{Note 2}	t_{KSI1}	$1.8\text{ V} \leq \text{EVDD} \leq 5.5\text{ V}$	19		19		19		19		ns
		$1.7\text{ V} \leq \text{EVDD} \leq 5.5\text{ V}$			19		19		19		ns
Delay time from SCKp \downarrow to SOp output ^{Note 3}	t_{KSO1}	C = 30 pF ^{Note 3}	$1.8\text{ V} \leq \text{EVDD} \leq 5.5\text{ V}$	25		25		25		25	ns
			$1.7\text{ V} \leq \text{EVDD} \leq 5.5\text{ V}$					25		25	

Notes 1. When DAPmn = 0 and CKPmn = 0, or DAPmn = 1 and CKPmn = 1. The Slp setup time becomes “to SCKp \downarrow ” when DAPmn = 0 and CKPmn = 1, or DAPmn = 1 and CKPmn = 0.

2. When DAPmn = 0 and CKPmn = 0, or DAPmn = 1 and CKPmn = 1. The Slp hold time becomes “from SCKp \uparrow ” when DAPmn = 0 and CKPmn = 1, or DAPmn = 1 and CKPmn = 0.

3. C is the load capacitance of the SCKp and SOp output lines.

4. Either VDD or VBAT is selected by the battery backup function.

Caution Select the normal input buffer for the Slp pin and the normal output mode for the SOp pin and SCKp pin by using port input mode register g (PIMg) and port output mode register g (POMg).

Remarks 1. p: CSI number (p = 00, 10, 30), m: Unit number (m = 0), n: Channel number (n = 0),
g: PIM and POM numbers (g = 0, 1, 8)

2. fMCK: Serial array unit operation clock frequency

(Operating clock that is set with the serial clock select register m (SPSm) and the CKSmn bit of serial mode register mn (SMRmn).

m: Unit number, n: Channel number (mn = 00, 10, 30))

(3) During communication at same potential (CSI mode) (slave mode, SCKp... external clock input)**($T_A = -40$ to $+85^\circ\text{C}$, $1.7\text{ V} \leq \text{EVDD}_0 = \text{EVDD}_1 \leq \text{VDD}^{\text{Note 5}} \leq 5.5\text{ V}$, $\text{VSS} = \text{EVSS}_0 = \text{EVSS}_1 = 0\text{ V}$)**

Parameter	Symbol	Conditions		HS (high-speed main) Mode		LS (low-speed main) Mode		LP (low-power main) Mode		LV (low-voltage main) Mode		Unit	
				MIN.	MAX.	MIN.	MAX.	MIN.	MAX.	MIN.	MAX.		
SCKp cycle time ^{Note 4}	tkCY2	$4.0\text{ V} \leq \text{EVDD} \leq 5.5\text{ V}$	$20\text{ MHz} < f_{\text{MCK}}$	$8/f_{\text{MCK}}$		–		–		–		ns	
			$f_{\text{MCK}} \leq 20\text{ MHz}$	$6/f_{\text{MCK}}$		$6/f_{\text{MCK}}$		$6/f_{\text{MCK}}$		$6/f_{\text{MCK}}$		ns	
		$2.7\text{ V} \leq \text{EVDD} \leq 5.5\text{ V}$	$16\text{ MHz} < f_{\text{MCK}}$	$8/f_{\text{MCK}}$		–		–		–		ns	
			$f_{\text{MCK}} \leq 16\text{ MHz}$	$6/f_{\text{MCK}}$		$6/f_{\text{MCK}}$		$6/f_{\text{MCK}}$		$6/f_{\text{MCK}}$		ns	
		$2.4\text{ V} \leq \text{EVDD} \leq 5.5\text{ V}$			$6/f_{\text{MCK}}$ and 500		$6/f_{\text{MCK}}$ and 500		$6/f_{\text{MCK}}$ and 500		$6/f_{\text{MCK}}$ and 500		ns
		$1.9\text{ V} \leq \text{EVDD} \leq 5.5\text{ V}$			$6/f_{\text{MCK}}$ and 750		$6/f_{\text{MCK}}$ and 750		$6/f_{\text{MCK}}$ and 750		$6/f_{\text{MCK}}$ and 750		ns
		$1.8\text{ V} \leq \text{EVDD} \leq 5.5\text{ V}$			$6/f_{\text{MCK}}$ and 1500		$6/f_{\text{MCK}}$ and 1500		$6/f_{\text{MCK}}$ and 1500		$6/f_{\text{MCK}}$ and 1500		ns
		$1.7\text{ V} \leq \text{EVDD} \leq 5.5\text{ V}$					$6/f_{\text{MCK}}$ and 1500		$6/f_{\text{MCK}}$ and 1500		$6/f_{\text{MCK}}$ and 1500		ns
SCKp high-/low-level width	tkH2, tkL2	$4.0\text{ V} \leq \text{EVDD} \leq 5.5\text{ V}$		tkCY2/ 2 – 7		tkCY2/ 2 – 7		tkCY2/ 2 – 7		tkCY2/ 2 – 7		ns	
		$2.7\text{ V} \leq \text{EVDD} \leq 5.5\text{ V}$		tkCY2/ 2 – 8		tkCY2/ 2 – 8		tkCY2/ 2 – 8		tkCY2/ 2 – 8		ns	
		$1.9\text{ V} \leq \text{EVDD} \leq 5.5\text{ V}$		tkCY2/ 2 – 18		tkCY2/ 2 – 18		tkCY2/ 2 – 18		tkCY2/ 2 – 18		ns	
		$1.8\text{ V} \leq \text{EVDD} \leq 5.5\text{ V}$		tkCY2/ 2 – 66		tkCY2/ 2 – 66		tkCY2/ 2 – 66		tkCY2/ 2 – 66		ns	
		$1.7\text{ V} \leq \text{EVDD} \leq 5.5\text{ V}$				tkCY2/ 2 – 66		tkCY2/ 2 – 66		tkCY2/ 2 – 66		ns	
Slp setup time (to SCKp \uparrow) ^{Note 1}	tsIK2	$2.7\text{ V} \leq \text{EVDD} \leq 5.5\text{ V}$		$1/f_{\text{MCK}}+20$		$1/f_{\text{MCK}}+30$		$1/f_{\text{MCK}}+30$		$1/f_{\text{MCK}}+30$		ns	
		$1.9\text{ V} \leq \text{EVDD} \leq 5.5\text{ V}$		$1/f_{\text{MCK}}+30$		$1/f_{\text{MCK}}+30$		$1/f_{\text{MCK}}+30$		$1/f_{\text{MCK}}+30$		ns	
		$1.8\text{ V} \leq \text{EVDD} \leq 5.5\text{ V}$		$1/f_{\text{MCK}}+40$		$1/f_{\text{MCK}}+40$		$1/f_{\text{MCK}}+40$		$1/f_{\text{MCK}}+40$		ns	
		$1.7\text{ V} \leq \text{EVDD} \leq 5.5\text{ V}$				$1/f_{\text{MCK}}+40$		$1/f_{\text{MCK}}+40$		$1/f_{\text{MCK}}+40$		ns	
Slp hold time (from SCKp \uparrow) ^{Note 1}	tkSI2	$2.1\text{ V} \leq \text{EVDD} \leq 5.5\text{ V}$		$1/f_{\text{MCK}}+31$		$1/f_{\text{MCK}}+31$		$1/f_{\text{MCK}}+31$		$1/f_{\text{MCK}}+31$		ns	
		$1.9\text{ V} \leq \text{EVDD} \leq 5.5\text{ V}$				$1/f_{\text{MCK}}+31$		$1/f_{\text{MCK}}+31$		$1/f_{\text{MCK}}+31$		ns	
		$1.7\text{ V} \leq \text{EVDD} \leq 5.5\text{ V}$								$1/f_{\text{MCK}}+250$		ns	
Delay time from SCKp \downarrow to SOP output ^{Note 2}	tkSO2	$C = 30\text{ pF}^{\text{Note 3}}$	$2.7\text{ V} \leq \text{EVDD} \leq 5.5\text{ V}$		$2/f_{\text{MCK}}+$ 44		$2/f_{\text{MCK}}+$ 110		$2/f_{\text{MCK}}+$ 110		$2/f_{\text{MCK}}+$ 110		ns
			$2.4\text{ V} \leq \text{EVDD} \leq 5.5\text{ V}$		$2/f_{\text{MCK}}+$ 75		$2/f_{\text{MCK}}+$ 110		$2/f_{\text{MCK}}+$ 110		$2/f_{\text{MCK}}+$ 110		ns
			$1.9\text{ V} \leq \text{EVDD} \leq 5.5\text{ V}$		$2/f_{\text{MCK}}+$ 100		$2/f_{\text{MCK}}+$ 110		$2/f_{\text{MCK}}+$ 110		$2/f_{\text{MCK}}+$ 110		ns
			$1.8\text{ V} \leq \text{EVDD} \leq 5.5\text{ V}$		$2/f_{\text{MCK}}+$ 220		$2/f_{\text{MCK}}+$ 220		$2/f_{\text{MCK}}+$ 220		$2/f_{\text{MCK}}+$ 220		ns
			$1.7\text{ V} \leq \text{EVDD} \leq 5.5\text{ V}$				$2/f_{\text{MCK}}+$ 220		$2/f_{\text{MCK}}+$ 220		$2/f_{\text{MCK}}+$ 220		ns

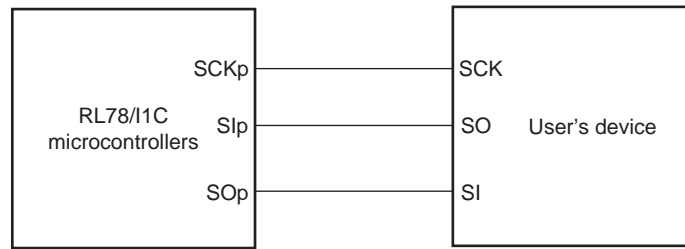
(Notes, Caution, and Remarks are listed on the next page.)

- Notes**
1. When $DAP_{mn} = 0$ and $CKP_{mn} = 0$, or $DAP_{mn} = 1$ and $CKP_{mn} = 1$. The S_{lp} setup time becomes “to $SCK_{p\downarrow}$ ” when $DAP_{mn} = 0$ and $CKP_{mn} = 1$, or $DAP_{mn} = 1$ and $CKP_{mn} = 0$.
 2. When $DAP_{mn} = 0$ and $CKP_{mn} = 0$, or $DAP_{mn} = 1$ and $CKP_{mn} = 1$. The S_{lp} hold time becomes “from $SCK_{p\uparrow}$ ” when $DAP_{mn} = 0$ and $CKP_{mn} = 1$, or $DAP_{mn} = 1$ and $CKP_{mn} = 0$.
 3. C is the load capacitance of the S_{Op} output lines.
 4. Transfer rate in the SNOOZE mode: MAX. 1 Mbps
 5. Either V_{DD} or V_{BAT} is selected by the battery backup function.

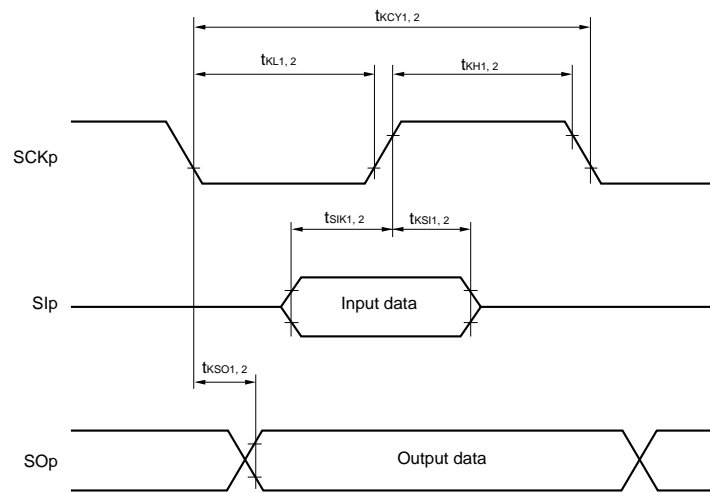
Caution Select the normal input buffer for the S_{lp} pin and SCK_{p} pin and the normal output mode for the S_{Op} pin by using port input mode register g (PIMg) and port output mode register g (POMg).

- Remarks**
1. p: CSI number (p = 00, 10, 30), m: Unit number (m = 0), n: Channel number (n = 0),
g: PIM number (g = 0, 1, 8)
 2. f_{MCK} : Serial array unit operation clock frequency
(Operating clock that is set with the serial clock select register m (SPSm) and the CKS_{mn} bit of serial mode register mn (SMRmn).
m: Unit number, n: Channel number (mn = 00, 10, 30))

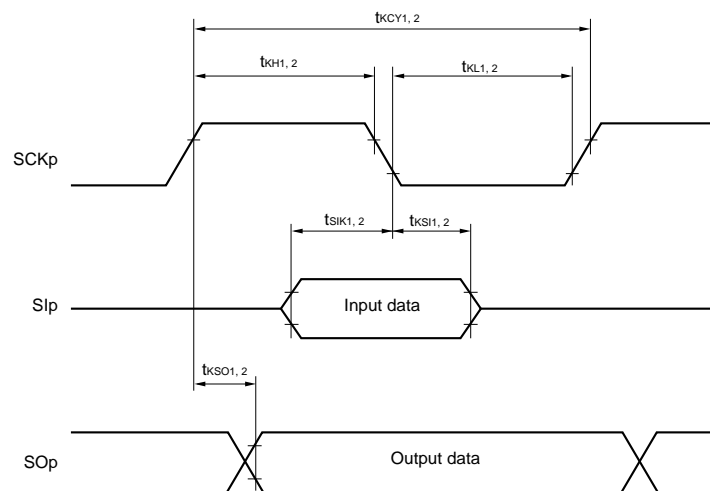
CSI mode connection diagram (during communication at same potential)



**CSI mode serial transfer timing (during communication at same potential)
(when DAPmn = 0 and CKPmn = 0, or DAPmn = 1 and CKPmn = 1)**



**CSI mode serial transfer timing (during communication at same potential)
(when DAPmn = 0 and CKPmn = 1, or DAPmn = 1 and CKPmn = 0)**



- Remarks**
1. p: CSI number (p = 00, 10, 30)
 2. m: Unit number, n: Channel number (mn = 00, 10, 30)

(4) During communication at same potential (simplified I²C mode)(T_A = -40 to +85°C, 1.7 V ≤ EV_{DD0} = EV_{DD1} ≤ V_{DD}^{Note 3} ≤ 5.5 V, V_{SS} = EV_{SS0} = EV_{SS1} = 0 V)

(1/2)

Parameter	Symbol	Conditions	HS (high-speed main) Mode		LS (low-speed main) Mode		LP (low-power main) Mode		LV (low-voltage main) Mode		Unit
			MIN.	MAX.	MIN.	MAX.	MIN.	MAX.	MIN.	MAX.	
SCLr clock frequency	f _{SCL}	2.7 V ≤ EV _{DD} ≤ 5.5 V, C _b = 50 pF, R _b = 2.7 kΩ		1000 ^{Note 1}		400 ^{Note 1}		400 ^{Note 1}		400 ^{Note 1}	kHz
		1.9 V ≤ EV _{DD} ≤ 5.5 V, C _b = 100 pF, R _b = 3 kΩ		400 ^{Note 1}		400 ^{Note 1}		400 ^{Note 1}		400 ^{Note 1}	kHz
		1.9 V ≤ EV _{DD} < 2.7 V, C _b = 100 pF, R _b = 5 kΩ		300 ^{Note 1}		300 ^{Note 1}		300 ^{Note 1}		300 ^{Note 1}	kHz
		1.8 V ≤ EV _{DD} < 1.9 V, C _b = 100 pF, R _b = 5 kΩ		250 ^{Note 1}		250 ^{Note 1}		250 ^{Note 1}		250 ^{Note 1}	kHz
		1.7 V ≤ EV _{DD} < 1.9 V, C _b = 100 pF, R _b = 5 kΩ				250 ^{Note 1}		250 ^{Note 1}		250 ^{Note 1}	kHz
Hold time when SCLr = "L"	t _{LOW}	2.7 V ≤ EV _{DD} ≤ 5.5 V, C _b = 50 pF, R _b = 2.7 kΩ	475		1150		1150		1150		ns
		1.9 V ≤ EV _{DD} ≤ 5.5 V, C _b = 100 pF, R _b = 3 kΩ	1150		1150		1150		1150		ns
		1.9 V ≤ EV _{DD} < 2.7 V, C _b = 100 pF, R _b = 5 kΩ	1550		1550		1550		1550		ns
		1.8 V ≤ EV _{DD} < 1.9 V, C _b = 100 pF, R _b = 5 kΩ	1850		1850		1850		1850		ns
		1.7 V ≤ EV _{DD} < 1.9 V, C _b = 100 pF, R _b = 5 kΩ			1850		1850		1850		ns
Hold time when SCLr = "H"	t _{HIGH}	2.7 V ≤ EV _{DD} ≤ 5.5 V, C _b = 50 pF, R _b = 2.7 kΩ	475		1150		1150		1150		ns
		1.9 V ≤ EV _{DD} ≤ 5.5 V, C _b = 100 pF, R _b = 3 kΩ	1150		1150		1150		1150		ns
		1.9 V ≤ EV _{DD} < 2.7 V, C _b = 100 pF, R _b = 5 kΩ	1550		1550		1550		1550		ns
		1.8 V ≤ EV _{DD} < 1.9 V, C _b = 100 pF, R _b = 5 kΩ	1850		1850		1850		1850		ns
		1.7 V ≤ EV _{DD} < 1.9 V, C _b = 100 pF, R _b = 5 kΩ			1850		1850		1850		ns
Data setup time (reception)	t _{SU:DAT}	2.7 V ≤ EV _{DD} ≤ 5.5 V, C _b = 50 pF, R _b = 2.7 kΩ	1/f _{MCK} + 85 ^{Notes 1,2}		1/f _{MCK} + 145 ^{Notes 1,2}		1/f _{MCK} + 145 ^{Notes 1,2}		1/f _{MCK} + 145 ^{Notes 1,2}		ns
		1.9 V ≤ EV _{DD} ≤ 5.5 V, C _b = 100 pF, R _b = 3 kΩ	1/f _{MCK} + 145 ^{Notes 1,2}		1/f _{MCK} + 145 ^{Notes 1,2}		1/f _{MCK} + 145 ^{Notes 1,2}		1/f _{MCK} + 145 ^{Notes 1,2}		ns
		1.9 V ≤ EV _{DD} < 2.7 V, C _b = 100 pF, R _b = 5 kΩ	1/f _{MCK} + 230 ^{Notes 1,2}		1/f _{MCK} + 230 ^{Notes 1,2}		1/f _{MCK} + 230 ^{Notes 1,2}		1/f _{MCK} + 230 ^{Notes 1,2}		ns
		1.8 V ≤ EV _{DD} < 1.9 V, C _b = 100 pF, R _b = 5 kΩ	1/f _{MCK} + 290 ^{Notes 1,2}		1/f _{MCK} + 290 ^{Notes 1,2}		1/f _{MCK} + 290 ^{Notes 1,2}		1/f _{MCK} + 290 ^{Notes 1,2}		ns
		1.7 V ≤ EV _{DD} < 1.9 V, C _b = 100 pF, R _b = 5 kΩ			1/f _{MCK} + 290 ^{Notes 1,2}		1/f _{MCK} + 290 ^{Notes 1,2}		1/f _{MCK} + 290 ^{Notes 1,2}		ns

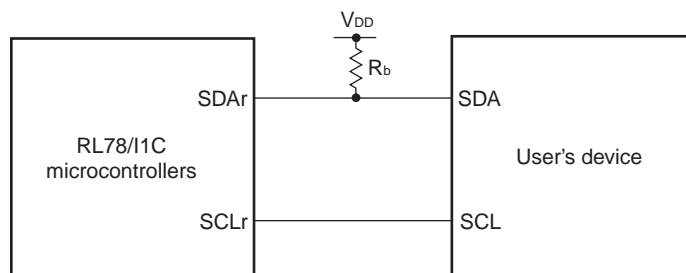
(Notes, Caution, and Remarks are listed on the next page.)

($T_A = -40$ to $+85^\circ\text{C}$, $1.7\text{ V} \leq EV_{DD0} = EV_{DD1} \leq V_{DD}^{\text{Note 3}} \leq 5.5\text{ V}$, $V_{SS} = EV_{SS0} = EV_{SS1} = 0\text{ V}$) (2/2)

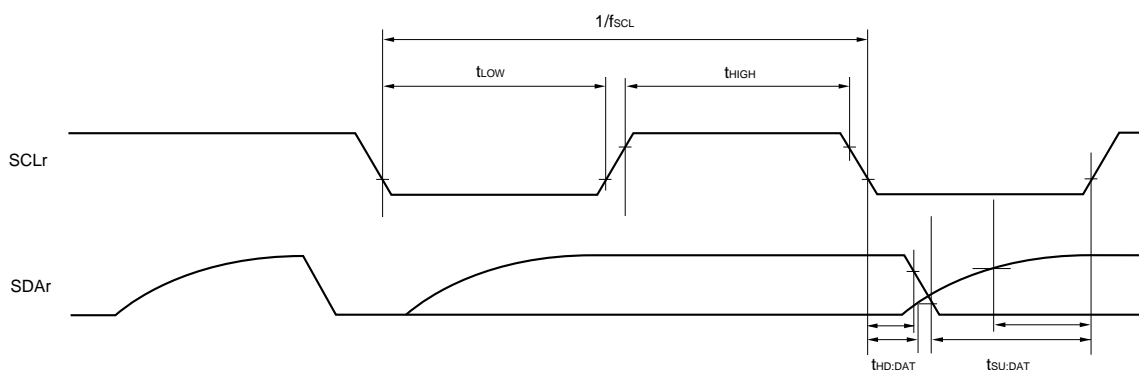
Parameter	Symbol	Conditions	HS (high-speed main) Mode		LS (low-speed main) Mode		LP (low-power main) Mode		LV (low-voltage main) Mode		Unit
			MIN.	MAX.	MIN.	MAX.	MIN.	MAX.	MIN.	MAX.	
Data hold time (transmission)	$t_{HD:DAT}$	$2.7\text{ V} \leq EV_{DD} \leq 5.5\text{ V}$, $C_b = 50\text{ pF}$, $R_b = 2.7\text{ k}\Omega$	0	305	0	305	0	305	0	305	ns
		$1.9\text{ V} \leq EV_{DD} \leq 5.5\text{ V}$, $C_b = 100\text{ pF}$, $R_b = 3\text{ k}\Omega$	0	355	0	355	0	355	0	355	ns
		$1.9\text{ V} \leq EV_{DD} < 2.7\text{ V}$, $C_b = 100\text{ pF}$, $R_b = 5\text{ k}\Omega$	0	405	0	405	0	405	0	405	ns
		$1.8\text{ V} \leq EV_{DD} < 1.9\text{ V}$, $C_b = 100\text{ pF}$, $R_b = 5\text{ k}\Omega$	0	405	0	405	0	405	0	405	ns
		$1.7\text{ V} \leq EV_{DD} < 1.9\text{ V}$, $C_b = 100\text{ pF}$, $R_b = 5\text{ k}\Omega$			0	405	0	405	0	405	ns

- Notes**
1. The value must also be equal to or less than $f_{MCK}/4$.
 2. Set the f_{MCK} value to keep the hold time of $SCLr = "L"$ and $SCLr = "H"$.
 3. Either V_{DD} or V_{BAT} is selected by the battery backup function.

Simplified I²C mode connection diagram (during communication at same potential)



Simplified I²C mode serial transfer timing (during communication at same potential)



Caution Select the normal input buffer and the N-ch open drain output (V_{DD} tolerance) mode for the $SDAr$ pin and the normal output mode for the $SCLr$ pin by using port input mode register g (PIMg) and port output mode register g (POMg).

- Remarks**
1. $R_b[\Omega]$: Communication line ($SDAr$) pull-up resistance, $C_b[F]$: Communication line ($SDAr$, $SCLr$) load capacitance
 2. r: IIC number (r = 00, 10, 30), g: PIM and POM number (g = 0, 1, 8)
 3. f_{MCK} : Serial array unit operation clock frequency
(Operating clock that is set with the serial clock select register m (SPSm) and the CKSmn bit of serial mode register mn (SMRmn).
m: Unit number (m = 0, 1), n: Channel number (n = 0, 2), mn = 00, 02, 12))

(5) Communication at different potential (1.9 V, 2.5 V, 3 V) (UART mode) (1/2)**($T_A = -40$ to $+85^\circ\text{C}$, $1.9\text{ V} \leq \text{EV}_{\text{DD}0} = \text{EV}_{\text{DD}1} \leq \text{V}_{\text{DD}}^{\text{Note 1}} \leq 5.5\text{ V}$, $\text{V}_{\text{SS}} = \text{EV}_{\text{SS}0} = \text{EV}_{\text{SS}1} = 0\text{ V}$)**

Parameter	Symbol	Conditions	HS (high-speed main) Mode		LS (low-speed main) Mode		LP (low-power main) Mode		LV (low-voltage main) Mode		Unit		
			MIN.	MAX.	MIN.	MAX.	MIN.	MAX.	MIN.	MAX.			
Transfer rate		Reception	$4.0\text{ V} \leq \text{EV}_{\text{DD}} \leq 5.5\text{ V}$, $2.7\text{ V} \leq \text{V}_b \leq 4.0\text{ V}$		$f_{\text{MCK}}/6^{\text{Note 1}}$		$f_{\text{MCK}}/6^{\text{Note 1}}$		$f_{\text{MCK}}/6^{\text{Note 1}}$		$f_{\text{MCK}}/6^{\text{Note 1}}$	bps	
			Theoretical value of the maximum transfer rate $f_{\text{MCK}} = f_{\text{CLK}}^{\text{Note 4}}$		5.3		1.3		0.1		0.6	Mbps	
			$2.7\text{ V} \leq \text{EV}_{\text{DD}} < 4.0\text{ V}$, $2.3\text{ V} \leq \text{V}_b \leq 2.7\text{ V}$		$f_{\text{MCK}}/6^{\text{Note 1}}$		$f_{\text{MCK}}/6^{\text{Note 1}}$		$f_{\text{MCK}}/6^{\text{Note 1}}$		$f_{\text{MCK}}/6^{\text{Note 1}}$		bps
			Theoretical value of the maximum transfer rate $f_{\text{MCK}} = f_{\text{CLK}}^{\text{Note 4}}$		5.3		1.3		0.1		0.6	Mbps	
			$1.9\text{ V} \leq \text{EV}_{\text{DD}} < 3.3\text{ V}$, $1.8\text{ V} \leq \text{V}_b \leq 2.0\text{ V}$		$f_{\text{MCK}}/6^{\text{Notes 1 to 3}}$		$f_{\text{MCK}}/6^{\text{Notes 1, 2}}$		$f_{\text{MCK}}/6^{\text{Notes 1, 2}}$		$f_{\text{MCK}}/6^{\text{Notes 1, 2}}$		bps
			Theoretical value of the maximum transfer rate $f_{\text{MCK}} = f_{\text{CLK}}^{\text{Note 4}}$		5.3		1.3		0.1		0.6	Mbps	

Notes 1. Transfer rate in the SNOOZE mode is 4800 bps only.**2.** Use it with $\text{EV}_{\text{DD}} \geq \text{V}_b$.**3.** The following conditions are required for low voltage interface. $2.4\text{ V} \leq \text{EV}_{\text{DD}} < 2.7\text{ V}$: MAX. 2.6 Mbps $1.9\text{ V} \leq \text{EV}_{\text{DD}} < 2.4\text{ V}$: MAX. 1.3 Mbps**4.** The maximum operating frequencies of the CPU/peripheral hardware clock (f_{CLK}) are:

HS (high-speed main) mode: 32 MHz ($2.8\text{ V} \leq \text{EV}_{\text{DD}} \leq 5.5\text{ V}$), 24 MHz ($2.7\text{ V} \leq \text{EV}_{\text{DD}} \leq 5.5\text{ V}$),
16 MHz ($2.5\text{ V} \leq \text{EV}_{\text{DD}} \leq 5.5\text{ V}$), 12 MHz ($2.4\text{ V} \leq \text{EV}_{\text{DD}} \leq 5.5\text{ V}$),
6 MHz ($2.1\text{ V} \leq \text{EV}_{\text{DD}} \leq 5.5\text{ V}$),

LS (low-speed main) mode: 8 MHz ($1.9\text{ V} \leq \text{EV}_{\text{DD}} \leq 5.5\text{ V}$), 4 MHz ($1.9\text{ V} \leq \text{EV}_{\text{DD}} \leq 5.5\text{ V}$)

LP (low-power main) mode: 1 MHz ($1.9\text{ V} \leq \text{EV}_{\text{DD}} \leq 5.5\text{ V}$)

LV (low-voltage main) mode: 4 MHz ($1.7\text{ V} \leq \text{EV}_{\text{DD}} \leq 5.5\text{ V}$)

Caution Select the TTL input buffer for the RxDq pin and the N-ch open drain output (V_{DD} tolerance) mode for the TxDq pin by using port input mode register g (PIMg) and port output mode register g (POMg). For V_{IH} and V_{IL} , see the DC characteristics with TTL input buffer selected.

Remarks 1. $\text{V}_b[\text{V}]$: Communication line voltage**2.** q: UART number (q = 0 to 3), g: PIM and POM number (g = 0, 1, 3, 5, 8)**3.** f_{MCK} : Serial array unit operation clock frequency

(Operating clock that is set with the serial clock select register m (SPSm) and the CKSmn bit of serial mode register mn (SMRmn).

m: Unit number, n: Channel number (mn = 00 to 03, 10 to 13))

(5) Communication at different potential (1.8 V, 2.5 V, 3 V) (UART mode) (2/2)**($T_A = -40$ to $+85^\circ\text{C}$, $1.9\text{ V} \leq \text{EVDD}_0 = \text{EVDD}_1 \leq \text{VDD}^{\text{Note 10}} \leq 5.5\text{ V}$, $\text{VSS} = \text{EVSS}_0 = \text{EVSS}_1 = 0\text{ V}$)**

Parameter	Symbol	Conditions	HS (high-speed main) Mode		LS (low-speed main) Mode		LP (low-power main) Mode		LV (low-voltage main) Mode		Unit
			MIN.	MAX.	MIN.	MAX.	MIN.	MAX.	MIN.	MAX.	
Transfer rate	Transmission	$4.0\text{ V} \leq \text{EVDD} \leq 5.5\text{ V}$, $2.7\text{ V} \leq \text{V}_b \leq 4.0\text{ V}$		Notes 1, 2		Notes 1, 2		Notes 1, 2		Notes 1, 2	bps
		Theoretical value of the maximum transfer rate ^{Note 9} $C_b = 50\text{ pF}$, $R_b = 1.4\text{ k}\Omega$, $V_b = 2.7\text{ V}$		$2.8^{\text{Note 3}}$		$2.8^{\text{Note 3}}$		$2.8^{\text{Note 3}}$		$2.8^{\text{Note 3}}$	Mbps
		$2.7\text{ V} \leq \text{EVDD} < 4.0\text{ V}$, $2.3\text{ V} \leq \text{V}_b \leq 2.7\text{ V}$		Notes 2, 4		Notes 2, 4		Notes 2, 4		Notes 2, 4	bps
		Theoretical value of the maximum transfer rate ^{Note 9} $C_b = 50\text{ pF}$, $R_b = 2.7\text{ k}\Omega$, $V_b = 2.3\text{ V}$		$1.2^{\text{Note 5}}$		$1.2^{\text{Note 5}}$		$1.2^{\text{Note 5}}$		$1.2^{\text{Note 5}}$	Mbps
		$1.9\text{ V} \leq \text{EVDD} < 3.3\text{ V}$, $1.6\text{ V} \leq \text{V}_b \leq 2.0\text{ V}$		Notes 2, 6, 7		Notes 2, 6, 7		Notes 2, 6, 7		Notes 2, 6, 7	bps
		Theoretical value of the maximum transfer rate ^{Note 9} $C_b = 50\text{ pF}$, $R_b = 5.5\text{ k}\Omega$, $V_b = 1.6\text{ V}$		$0.43^{\text{Note 8}}$		$0.43^{\text{Note 8}}$		$0.43^{\text{Note 8}}$		$0.43^{\text{Note 8}}$	Mbps

Notes 1. The smaller maximum transfer rate derived by using $f_{\text{MCK}}/6$ or the following expression is the valid maximum transfer rate.

Expression for calculating the transfer rate when $4.0\text{ V} \leq \text{EVDD} \leq 5.5\text{ V}$ and $2.7\text{ V} \leq \text{V}_b \leq 4.0\text{ V}$

$$\text{Maximum transfer rate} = \frac{1}{\{-C_b \times R_b \times \ln(1 - \frac{2.2}{V_b})\} \times 3} \text{ [bps]}$$

$$\text{Baud rate error (theoretical value)} = \frac{\frac{1}{\text{Transfer rate} \times 2} - \{-C_b \times R_b \times \ln(1 - \frac{2.2}{V_b})\}}{\left(\frac{1}{\text{Transfer rate}}\right) \times \text{Number of transferred bits}} \times 100 \text{ [%]}$$

* This value is the theoretical value of the relative difference between the transmission and reception sides.

- Transfer rate in the SNOOZE mode is 4800 bps only.
- This value as an example is calculated when the conditions described in the "Conditions" column are met. Refer to **Note 1** above to calculate the maximum transfer rate under conditions of the customer.
- The smaller maximum transfer rate derived by using $f_{\text{MCK}}/6$ or the following expression is the valid maximum transfer rate.

Expression for calculating the transfer rate when $2.7\text{ V} \leq \text{EVDD} < 4.0\text{ V}$ and $2.3\text{ V} \leq \text{V}_b \leq 2.7\text{ V}$

$$\text{Maximum transfer rate} = \frac{1}{\{-C_b \times R_b \times \ln(1 - \frac{2.0}{V_b})\} \times 3} \text{ [bps]}$$

$$\text{Baud rate error (theoretical value)} = \frac{\frac{1}{\text{Transfer rate} \times 2} - \{-C_b \times R_b \times \ln(1 - \frac{2.0}{V_b})\}}{\left(\frac{1}{\text{Transfer rate}}\right) \times \text{Number of transferred bits}} \times 100 \text{ [%]}$$

* This value is the theoretical value of the relative difference between the transmission and reception sides.

Notes 5. This value as an example is calculated when the conditions described in the “Conditions” column are met. Refer to **Note 4** above to calculate the maximum transfer rate under conditions of the customer.

6. Use it with $EV_{DD} \geq V_b$.

7. The smaller maximum transfer rate derived by using $f_{MCK}/6$ or the following expression is the valid maximum transfer rate.

Expression for calculating the transfer rate when $1.9\text{ V} \leq EV_{DD} < 2.7\text{ V}$ and $1.6\text{ V} \leq V_b \leq 2.0\text{ V}$

$$\text{Maximum transfer rate} = \frac{1}{\{-C_b \times R_b \times \ln(1 - \frac{1.5}{V_b})\} \times 3} \text{ [bps]}$$

$$\text{Baud rate error (theoretical value)} = \frac{\frac{1}{\text{Transfer rate} \times 2} - \{-C_b \times R_b \times \ln(1 - \frac{1.5}{V_b})\}}{(\frac{1}{\text{Transfer rate}}) \times \text{Number of transferred bits}} \times 100 \text{ [%]}$$

* This value is the theoretical value of the relative difference between the transmission and reception sides.

8. This value as an example is calculated when the conditions described in the “Conditions” column are met. Refer to **Note 7** above to calculate the maximum transfer rate under conditions of the customer.

9. The maximum operating frequencies of the CPU/peripheral hardware clock (fCLK) are:

HS (high-speed main) mode: 32 MHz ($2.8\text{ V} \leq EV_{DD} \leq 5.5\text{ V}$), 24 MHz ($2.7\text{ V} \leq EV_{DD} \leq 5.5\text{ V}$),
16 MHz ($2.5\text{ V} \leq EV_{DD} \leq 5.5\text{ V}$), 12 MHz ($2.4\text{ V} \leq EV_{DD} \leq 5.5\text{ V}$),
6 MHz ($2.1\text{ V} \leq EV_{DD} \leq 5.5\text{ V}$),

LS (low-speed main) mode: 8 MHz ($1.9\text{ V} \leq EV_{DD} \leq 5.5\text{ V}$), 4 MHz ($1.9\text{ V} \leq EV_{DD} \leq 5.5\text{ V}$)

LP (low-power main) mode: 1 MHz ($1.9\text{ V} \leq EV_{DD} \leq 5.5\text{ V}$)

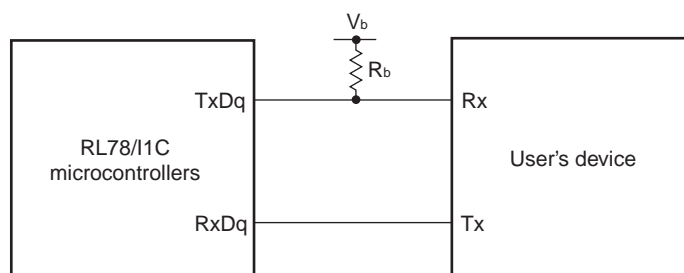
LV (low-voltage main) mode: 4 MHz ($1.7\text{ V} \leq EV_{DD} \leq 5.5\text{ V}$)

10. Either V_{DD} or V_{BAT} is selected by the battery backup function.

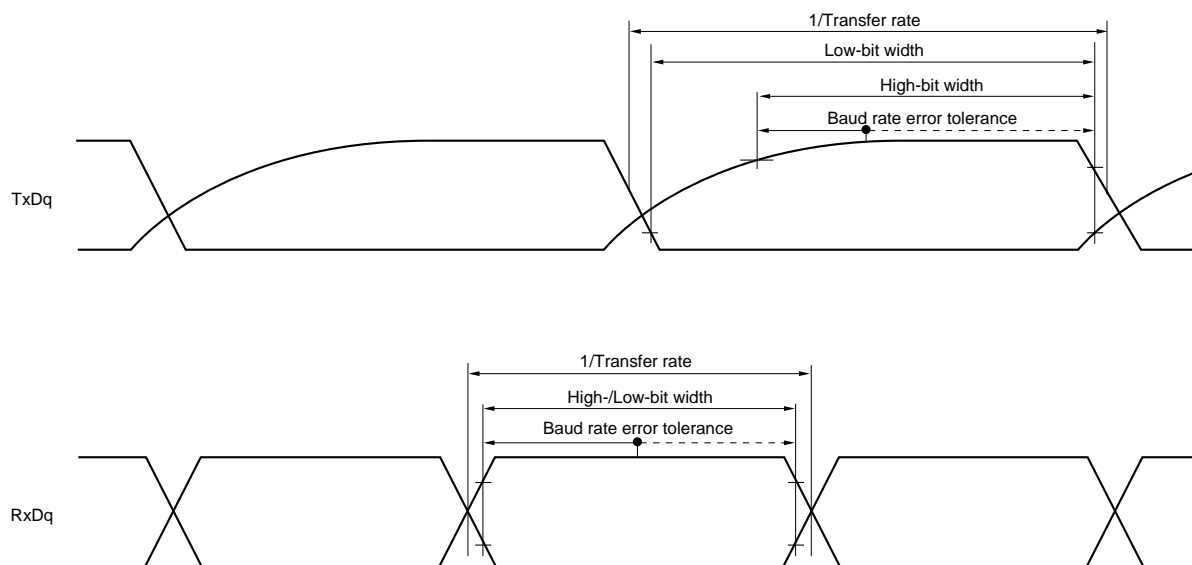
Caution Select the TTL input buffer for the RxDq pin and the N-ch open drain output (V_{DD} tolerance) mode for the TxDq pin by using port input mode register g (PIMg) and port output mode register g (POMg). For V_{IH} and V_{IL} , see the DC characteristics with TTL input buffer selected.

- Remarks 1.** $R_b[\Omega]$: Communication line (TxDq) pull-up resistance,
 $C_b[F]$: Communication line (TxDq) load capacitance, $V_b[V]$: Communication line voltage
- 2.** q: UART number (q = 0 to 3), g: PIM and POM number (g = 0, 1, 3, 5, 8)
- 3.** f_{MCK} : Serial array unit operation clock frequency
(Operating clock that is set with the serial clock select register m (SPSm) and the CKSmn bit of serial mode register mn (SMRmn).
m: Unit number, n: Channel number (mn = 00 to 03, 10 to 13))

UART mode connection diagram (during communication at different potential)



UART mode bit width (during communication at different potential) (reference)



Caution Select the TTL input buffer for the RxDq pin and the N-ch open drain output (V_{DD} tolerance) mode for the TxDq pin by using port input mode register g (PIMg) and port output mode register g (POMg). For V_{IH} and V_{IL} , see the DC characteristics with TTL input buffer selected.

- Remarks**
1. $R_b[\Omega]$: Communication line (TxDq) pull-up resistance, $V_b[V]$: Communication line voltage
 2. q: UART number (q = 0 to 3), g: PIM and POM number (g = 0, 1, 3, 5, 8)

(6) Communication at different potential (2.5 V, 3 V) ($f_{MCK}/2$) (CSI mode) (master mode, SCKp... internal clock output, corresponding CSI00 only) (1/2)

($T_A = -40$ to $+85^\circ\text{C}$, $2.7\text{ V} \leq EV_{DD0} = EV_{DD1} \leq V_{DD}^{\text{Note 3}} \leq 5.5\text{ V}$, $V_{SS} = EV_{SS0} = EV_{SS1} = 0\text{ V}$)

Parameter	Symbol	Conditions	HS (high-speed main) Mode		LS (low-speed main) Mode		LP (low-power main) Mode		LV (low-voltage main) Mode		Unit
			MIN.	MAX.	MIN.	MAX.	MIN.	MAX.	MIN.	MAX.	
SCKp cycle time	t_{KCY1}	$t_{KCY1} \geq 2/f_{CLK}$ $4.0\text{ V} \leq EV_{DD} \leq 5.5\text{ V}$, $2.7\text{ V} \leq V_b \leq 4.0\text{ V}$, $C_b = 20\text{ pF}$, $R_b = 1.4\text{ k}\Omega$	200		1150		1150		1150		ns
		$2.7\text{ V} \leq EV_{DD} < 4.0\text{ V}$, $2.3\text{ V} \leq V_b \leq 2.7\text{ V}$, $C_b = 20\text{ pF}$, $R_b = 2.7\text{ k}\Omega$	300		1150		1150		1150		ns
SCKp high-level width	t_{KH1}	$4.0\text{ V} \leq EV_{DD} \leq 5.5\text{ V}$, $2.7\text{ V} \leq V_b \leq 4.0\text{ V}$, $C_b = 20\text{ pF}$, $R_b = 1.4\text{ k}\Omega$	$t_{KCY1}/2 - 50$		$t_{KCY1}/2 - 50$		$t_{KCY1}/2 - 50$		$t_{KCY1}/2 - 50$		ns
		$2.7\text{ V} \leq EV_{DD} < 4.0\text{ V}$, $2.3\text{ V} \leq V_b \leq 2.7\text{ V}$, $C_b = 20\text{ pF}$, $R_b = 2.7\text{ k}\Omega$	$t_{KCY1}/2 - 120$		$t_{KCY1}/2 - 120$		$t_{KCY1}/2 - 120$		$t_{KCY1}/2 - 120$		ns
SCKp low-level width	t_{KL1}	$4.0\text{ V} \leq EV_{DD} \leq 5.5\text{ V}$, $2.7\text{ V} \leq V_b \leq 4.0\text{ V}$, $C_b = 20\text{ pF}$, $R_b = 1.4\text{ k}\Omega$	$t_{KCY1}/2 - 7$		$t_{KCY1}/2 - 50$		$t_{KCY1}/2 - 50$		$t_{KCY1}/2 - 50$		ns
		$2.7\text{ V} \leq EV_{DD} < 4.0\text{ V}$, $2.3\text{ V} \leq V_b \leq 2.7\text{ V}$, $C_b = 20\text{ pF}$, $R_b = 2.7\text{ k}\Omega$	$t_{KCY1}/2 - 10$		$t_{KCY1}/2 - 50$		$t_{KCY1}/2 - 50$		$t_{KCY1}/2 - 50$		ns
Slp setup time (to SCKp \uparrow) ^{Note 1}	t_{SIK1}	$4.0\text{ V} \leq EV_{DD} \leq 5.5\text{ V}$, $2.7\text{ V} \leq V_b \leq 4.0\text{ V}$, $C_b = 20\text{ pF}$, $R_b = 1.4\text{ k}\Omega$	58		479		479		479		ns
		$2.7\text{ V} \leq EV_{DD} < 4.0\text{ V}$, $2.3\text{ V} \leq V_b \leq 2.7\text{ V}$, $C_b = 20\text{ pF}$, $R_b = 2.7\text{ k}\Omega$	121		479		479		479		ns
Slp hold time (from SCKp \uparrow) ^{Note 1}	t_{KSH1}	$4.0\text{ V} \leq EV_{DD} \leq 5.5\text{ V}$, $2.7\text{ V} \leq V_b \leq 4.0\text{ V}$, $C_b = 20\text{ pF}$, $R_b = 1.4\text{ k}\Omega$	10		10		10		10		ns
		$2.7\text{ V} \leq EV_{DD} < 4.0\text{ V}$, $2.3\text{ V} \leq V_b \leq 2.7\text{ V}$, $C_b = 20\text{ pF}$, $R_b = 2.7\text{ k}\Omega$	10		10		10		10		ns
Delay time from SCKp \downarrow to SOp output ^{Note 1}	t_{KSO1}	$4.0\text{ V} \leq EV_{DD} \leq 5.5\text{ V}$, $2.7\text{ V} \leq V_b \leq 4.0\text{ V}$, $C_b = 20\text{ pF}$, $R_b = 1.4\text{ k}\Omega$		60		60		60		60	ns
		$2.7\text{ V} \leq EV_{DD} < 4.0\text{ V}$, $2.3\text{ V} \leq V_b \leq 2.7\text{ V}$, $C_b = 20\text{ pF}$, $R_b = 2.7\text{ k}\Omega$		130		130		130		130	ns
Slp setup time (to SCKp \downarrow) ^{Note 2}	t_{SIK1}	$4.0\text{ V} \leq EV_{DD} \leq 5.5\text{ V}$, $2.7\text{ V} \leq V_b \leq 4.0\text{ V}$, $C_b = 20\text{ pF}$, $R_b = 1.4\text{ k}\Omega$	23		110		110		110		ns
		$2.7\text{ V} \leq EV_{DD} < 4.0\text{ V}$, $2.3\text{ V} \leq V_b \leq 2.7\text{ V}$, $C_b = 20\text{ pF}$, $R_b = 2.7\text{ k}\Omega$	33		110		110		110		ns

(Notes, Caution, and Remarks are listed on the next page.)

(6) Communication at different potential (2.5 V, 3 V) ($f_{MCK}/2$) (CSI mode) (master mode, SCKp... internal clock output, corresponding CSI00 only) (2/2)

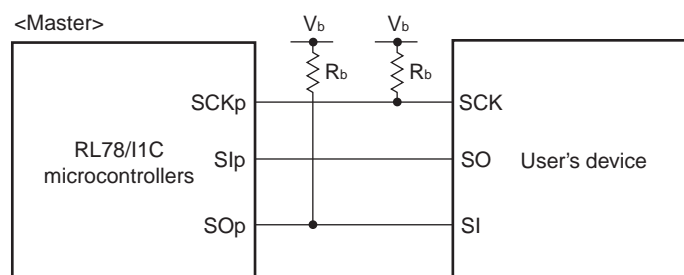
($T_A = -40$ to $+85^\circ\text{C}$, $2.7\text{ V} \leq EV_{DD0} = EV_{DD1} \leq V_{DD}^{\text{Note 3}} \leq 5.5\text{ V}$, $V_{SS} = EV_{SS0} = EV_{SS1} = 0\text{ V}$)

Parameter	Symbol	Conditions	HS (high-speed main) Mode		LS (low-speed main) Mode		LP (low-power main) Mode		LV (low-voltage main) Mode		Unit
			MIN.	MAX.	MIN.	MAX.	MIN.	MAX.	MIN.	MAX.	
Slp hold time (from SCKp↓) ^{Note 2}	t_{KS11}	$4.0\text{ V} \leq EV_{DD} \leq 5.5\text{ V}$, $2.7\text{ V} \leq V_b \leq 4.0\text{ V}$, $C_b = 20\text{ pF}$, $R_b = 1.4\text{ k}\Omega$	10		10		10		10		ns
		$2.7\text{ V} \leq EV_{DD} < 4.0\text{ V}$, $2.3\text{ V} \leq V_b \leq 2.7\text{ V}$, $C_b = 20\text{ pF}$, $R_b = 2.7\text{ k}\Omega$	10		10		10		10		ns
Delay time from SCKp↑ to SOp output ^{Note 2}	t_{KS01}	$4.0\text{ V} \leq EV_{DD} \leq 5.5\text{ V}$, $2.7\text{ V} \leq V_b \leq 4.0\text{ V}$, $C_b = 20\text{ pF}$, $R_b = 1.4\text{ k}\Omega$		10		10		10		10	ns
		$2.7\text{ V} \leq EV_{DD} < 4.0\text{ V}$, $2.3\text{ V} \leq V_b \leq 2.7\text{ V}$, $C_b = 20\text{ pF}$, $R_b = 2.7\text{ k}\Omega$		10		10		10		10	ns

- Notes**
1. When $DAPmn = 0$ and $CKPmn = 0$, or $DAPmn = 1$ and $CKPmn = 1$.
 2. When $DAPmn = 0$ and $CKPmn = 1$, or $DAPmn = 1$ and $CKPmn = 0$.
 3. Either V_{DD} or V_{BAT} is selected by the battery backup function.

Caution Select the TTL input buffer for the Slp pin and the N-ch open drain output (V_{DD} tolerance) mode for the SOp pin and SCKp pin by using port input mode register g (PIMg) and port output mode register g (POMg). For V_{IH} and V_{IL} , see the DC characteristics with TTL input buffer selected.

CSI mode connection diagram (during communication at different potential)



- Remarks**
1. $R_b[\Omega]$: Communication line (SCKp, SOp) pull-up resistance, $C_b[F]$: Communication line (SCKp, SOp) load capacitance, $V_b[V]$: Communication line voltage
 2. p: CSI number ($p = 00, 10, 30$), m: Unit number, n: Channel number ($mn = 00, 02, 10$), g: PIM and POM number ($g = 0, 1, 8$)
 3. f_{MCK} : Serial array unit operation clock frequency (Operating clock that is set with the serial clock select register m (SPSm) and the CKSmn bit of serial mode register mn (SMRmn). m: Unit number, n: Channel number ($mn = 00, 02, 12$))
 4. This specification is valid only when CSI00's peripheral I/O redirect function is not used.

(7) Communication at different potential (1.8 V, 2.5 V, 3 V) ($f_{mck}/4$) (CSI mode) (master mode, SCKp... internal clock output) (1/2)(T_A = -40 to +85°C, 1.9 V ≤ EV_{DD0} = EV_{DD1} ≤ V_{DD}^{Note 4} ≤ 5.5 V, V_{SS} = EV_{SS0} = EV_{SS1} = 0 V)

Parameter	Symbol	Conditions	HS (high-speed main) Mode		LS (low-speed main) Mode		LP (low-power main) Mode		LV (low-voltage main) Mode		Unit
			MIN.	MAX.	MIN.	MAX.	MIN.	MAX.	MIN.	MAX.	
SCKp cycle time	t _{KCY1}	t _{KCY1} ≥ 4/f _{CLK} 4.0 V ≤ EV _{DD} ≤ 5.5 V, 2.7 V ≤ V _b ≤ 4.0 V, C _b = 30 pF, R _b = 1.4 kΩ	300		1150		1150		1150		ns
		2.7 V ≤ EV _{DD} < 4.0 V, 2.3 V ≤ V _b ≤ 2.7 V, C _b = 30 pF, R _b = 2.7 kΩ	500		1150		1150		1150		ns
		1.9 V ≤ EV _{DD} < 3.3 V, 1.6 V ≤ V _b ≤ 2.0 V, C _b = 30 pF, R _b = 5.5 kΩ	1150		1150		1150		1150		ns
SCKp high-level width	t _{KH1}	4.0 V ≤ EV _{DD} ≤ 5.5 V, 2.7 V ≤ V _b ≤ 4.0 V, C _b = 30 pF, R _b = 1.4 kΩ	t _{KCY1} / 2 – 75		t _{KCY1} / 2 – 75		t _{KCY1} / 2 – 75		t _{KCY1} / 2 – 75		ns
		2.7 V ≤ EV _{DD} < 4.0 V, 2.3 V ≤ V _b ≤ 2.7 V, C _b = 30 pF, R _b = 2.7 kΩ	t _{KCY1} / 2 – 170		t _{KCY1} / 2 – 170		t _{KCY1} / 2 – 170		t _{KCY1} / 2 – 170		ns
		1.9 V ^{Note 4} ≤ EV _{DD} < 3.3 V, 1.6 V ≤ V _b ≤ 2.0 V ^{Note 3} , C _b = 30 pF, R _b = 5.5 kΩ	t _{KCY1} / 2 – 458		t _{KCY1} / 2 – 458		t _{KCY1} / 2 – 458		t _{KCY1} / 2 – 458		ns
SCKp low-level width	t _{KL1}	4.0 V ≤ EV _{DD} ≤ 5.5 V, 2.7 V ≤ V _b ≤ 4.0 V, C _b = 30 pF, R _b = 1.4 kΩ	t _{KCY1} / 2 – 12		t _{KCY1} / 2 – 50		t _{KCY1} / 2 – 50		t _{KCY1} / 2 – 50		ns
		2.7 V ≤ EV _{DD} < 4.0 V, 2.3 V ≤ V _b ≤ 2.7 V, C _b = 30 pF, R _b = 2.7 kΩ	t _{KCY1} / 2 – 18		t _{KCY1} / 2 – 50		t _{KCY1} / 2 – 50		t _{KCY1} / 2 – 50		ns
		1.9 V ^{Note 4} ≤ EV _{DD} < 3.3 V, 1.6 V ≤ V _b ≤ 2.0 V ^{Note 3} , C _b = 30 pF, R _b = 5.5 kΩ	t _{KCY1} / 2 – 50		t _{KCY1} / 2 – 50		t _{KCY1} / 2 – 50		t _{KCY1} / 2 – 50		ns
Slp setup time (to SCKp↑) ^{Note 1}	t _{SIK1}	4.0 V ≤ EV _{DD} ≤ 5.5 V, 2.7 V ≤ V _b ≤ 4.0 V, C _b = 30 pF, R _b = 1.4 kΩ	81		479		479		479		ns
		2.7 V ≤ EV _{DD} < 4.0 V, 2.3 V ≤ V _b ≤ 2.7 V, C _b = 30 pF, R _b = 2.7 kΩ	177		479		479		479		ns
		1.9 V ≤ EV _{DD} < 3.3 V, 1.6 V ≤ V _b ≤ 2.0 V ^{Note 3} , C _b = 30 pF, R _b = 5.5 kΩ	479		479		479		479		ns

(Notes, Caution and Remarks are listed on the page after the next page.)

(7) Communication at different potential (1.8 V, 2.5 V, 3 V) ($f_{mck}/4$) (CSI mode) (master mode, SCKp... internal clock output) (2/2)**($T_A = -40$ to $+85^\circ\text{C}$, $1.9\text{ V} \leq EV_{DD0} = EV_{DD1} \leq V_{DD}^{\text{Note 4}} \leq 5.5\text{ V}$, $V_{SS} = EV_{SS0} = EV_{SS1} = 0\text{ V}$)**

Parameter	Symbol	Conditions	HS (high-speed main) Mode		LS (low-speed main) Mode		LP (low-power main) Mode		LV (low-voltage main) Mode		Unit
			MIN.	MAX.	MIN.	MAX.	MIN.	MAX.	MIN.	MAX.	
Slp hold time (from SCKp \uparrow) ^{Note 1}	t _{KS1}	4.0 V \leq EV _{DD} \leq 5.5 V, 2.7 V \leq V _b \leq 4.0 V, C _b = 30 pF, R _b = 1.4 k Ω	19		19		19		19		ns
		2.7 V \leq EV _{DD} < 4.0 V, 2.3 V \leq V _b \leq 2.7 V, C _b = 30 pF, R _b = 2.7 k Ω	19		19		19		19		ns
		1.9 V \leq EV _{DD} < 3.3 V, 1.6 V \leq V _b \leq 2.0 V ^{Note 3} , C _b = 30 pF, R _b = 5.5 k Ω	19		19		19		19		ns
Delay time from SCKp \downarrow to SOP output ^{Note 1}	t _{KSO1}	4.0 V \leq EV _{DD} \leq 5.5 V, 2.7 V \leq V _b \leq 4.0 V, C _b = 30 pF, R _b = 1.4 k Ω		100		100		100		100	ns
		2.7 V \leq EV _{DD} < 4.0 V, 2.3 V \leq V _b \leq 2.7 V, C _b = 30 pF, R _b = 2.7 k Ω		195		195		195		195	ns
		1.9 V \leq EV _{DD} < 3.3 V, 1.6 V \leq V _b \leq 2.0 V ^{Note 3} , C _b = 30 pF, R _b = 5.5 k Ω		483		483		483		483	ns
Slp setup time (to SCKp \downarrow) ^{Note 2}	t _{SIK1}	4.0 V \leq EV _{DD} \leq 5.5 V, 2.7 V \leq V _b \leq 4.0 V, C _b = 30 pF, R _b = 1.4 k Ω	44		110		110		110		ns
		2.7 V \leq EV _{DD} < 4.0 V, 2.3 V \leq V _b \leq 2.7 V, C _b = 30 pF, R _b = 2.7 k Ω	44		110		110		110		ns
		1.9 V \leq EV _{DD} < 3.3 V, 1.6 V \leq V _b \leq 2.0 V ^{Note 3} , C _b = 30 pF, R _b = 5.5 k Ω	110		110		110		110		ns
Slp hold time (from SCKp \downarrow) ^{Note 2}	t _{KS1}	4.0 V \leq EV _{DD} \leq 5.5 V, 2.7 V \leq V _b \leq 4.0 V, C _b = 30 pF, R _b = 1.4 k Ω	19		19		19		19		ns
		2.7 V \leq EV _{DD} < 4.0 V, 2.3 V \leq V _b \leq 2.7 V, C _b = 30 pF, R _b = 2.7 k Ω	19		19		19		19		ns
		1.9 V \leq EV _{DD} < 3.3 V, 1.6 V \leq V _b \leq 2.0 V ^{Note 3} , C _b = 30 pF, R _b = 5.5 k Ω	19		19		19		19		ns
Delay time from SCKp \uparrow to SOP output ^{Note 2}	t _{KSO1}	4.0 V \leq EV _{DD} \leq 5.5 V, 2.7 V \leq V _b \leq 4.0 V, C _b = 30 pF, R _b = 1.4 k Ω		25		25		25		25	ns
		2.7 V \leq EV _{DD} < 4.0 V, 2.3 V \leq V _b \leq 2.7 V, C _b = 30 pF, R _b = 2.7 k Ω		25		25		25		25	ns
		1.9 V \leq EV _{DD} < 3.3 V, 1.6 V \leq V _b \leq 2.0 V ^{Note 3} , C _b = 30 pF, R _b = 5.5 k Ω		25		25		25		25	ns

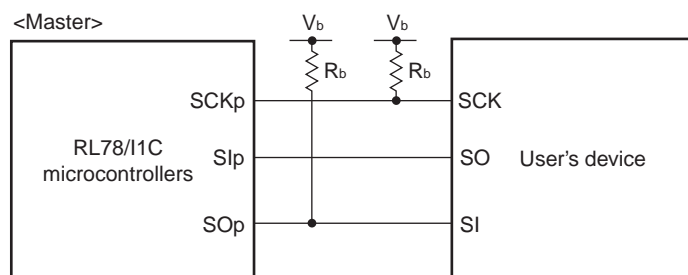
(Notes, Caution and Remarks are listed on the next page.)

- Notes**
1. When DAPmn = 0 and CKPmn = 0, or DAPmn = 1 and CKPmn = 1.
 2. When DAPmn = 0 and CKPmn = 1, or DAPmn = 1 and CKPmn = 0.
 3. Use it with $EV_{DD} \geq V_b$.
 4. Either V_{DD} or V_{BAT} is selected by the battery backup function.

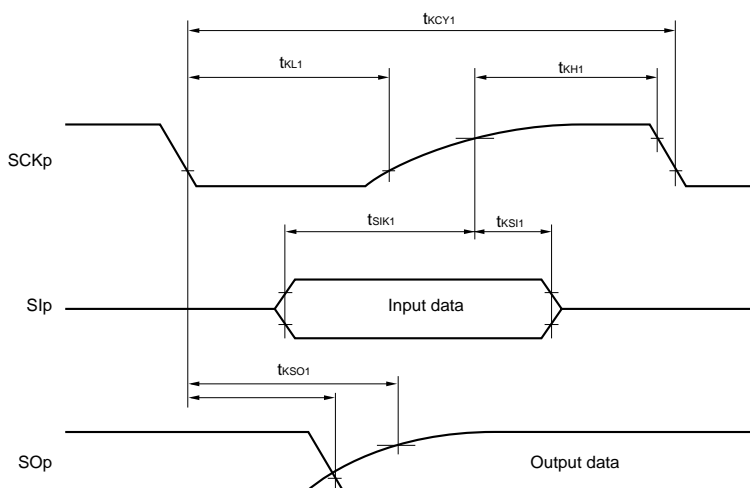
Caution Select the TTL input buffer for the Slp pin and the N-ch open drain output (V_{DD} tolerance) mode for the SOp pin and SCKp pin by using port input mode register g (PIMg) and port output mode register g (POMg). For V_{IH} and V_{IL} , see the DC characteristics with TTL input buffer selected.

- Remarks**
1. $R_b[\Omega]$: Communication line (SCKp, SOp) pull-up resistance, $C_b[F]$: Communication line (SCKp, SOp) load capacitance, $V_b[V]$: Communication line voltage
 2. p: CSI number (p = 00, 10, 30), m: Unit number, n: Channel number (mn = 00, 02, 10), g: PIM and POM number (g = 0, 1, 8)
 3. f_{MCK} : Serial array unit operation clock frequency
(Operation clock to be set by the CKSmn bit of serial mode register mn (SMRmn).
m: Unit number, n: Channel number (mn = 00, 02, 12))

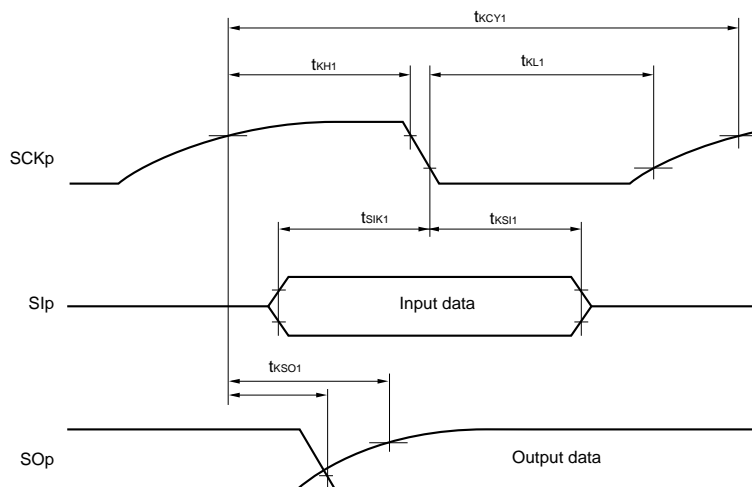
CSI mode connection diagram (during communication at different potential)



**CSI mode serial transfer timing (master mode) (during communication at different potential)
(when DAPmn = 0 and CKPmn = 0, or DAPmn = 1 and CKPmn = 1)**



**CSI mode serial transfer timing (master mode) (during communication at different potential)
(when DAPmn = 0 and CKPmn = 1, or DAPmn = 1 and CKPmn = 0)**



Caution Select the TTL input buffer for the Slp pin and the N-ch open drain output (V_{DD} tolerance) mode for the SOp pin and SCKp pin by using port input mode register g (PIMg) and port output mode register g (POMg). For V_{IH} and V_{IL} , see the DC characteristics with TTL input buffer selected.

Remark p: CSI number (p = 00, 10, 30), m: Unit number, n: Channel number (mn = 00, 02, 10),
g: PIM and POM number (g = 0, 1, 8)

(8) Communication at different potential (1.8 V, 2.5 V, 3 V) (CSI mode) (slave mode, SCKp ... external clock input)
($T_A = -40$ to $+85^\circ\text{C}$, $1.9\text{ V} \leq \text{EVDD}_0 = \text{EVDD}_1 \leq \text{VDD}^{\text{Note 5}} \leq 5.5\text{ V}$, $\text{VSS} = \text{EVSS}_0 = \text{EVSS}_1 = 0\text{ V}$) (1/2)

Parameter	Symbol	Conditions	HS (high-speed main) Mode		LS (low-speed main) Mode		LP (low-power main) Mode		LV (low-voltage main) Mode		Unit
			MIN.	MAX.	MIN.	MAX.	MIN.	MAX.	MIN.	MAX.	
SCKp cycle time ^{Note 1}	t _{KCY2}	4.0 V ≤ EV _{DD} ≤ 5.5 V, 2.7 V ≤ V _b ≤ 4.0 V	24 MHz < f _{MCK}	14/f _{MCK}	–	–	–	–	–	–	ns
			20 MHz < f _{MCK} ≤ 24 MHz	12/f _{MCK}	–	–	–	–	–	–	ns
			8 MHz < f _{MCK} ≤ 20 MHz	10/f _{MCK}	–	–	–	–	–	–	ns
			4 MHz < f _{MCK} ≤ 8 MHz	8/f _{MCK}	16/f _{MCK}	–	–	–	–	–	ns
			f _{MCK} ≤ 4 MHz	6/f _{MCK}	10/f _{MCK}	10/f _{MCK}	10/f _{MCK}	10/f _{MCK}	10/f _{MCK}	10/f _{MCK}	ns
		2.7 V ≤ EV _{DD} < 4.0 V, 2.3 V ≤ V _b ≤ 2.7 V	24 MHz < f _{MCK}	20/f _{MCK}	–	–	–	–	–	–	ns
			20 MHz < f _{MCK} ≤ 24 MHz	16/f _{MCK}	–	–	–	–	–	–	ns
			16 MHz < f _{MCK} ≤ 20 MHz	14/f _{MCK}	–	–	–	–	–	–	ns
			8 MHz < f _{MCK} ≤ 16 MHz	12/f _{MCK}	–	–	–	–	–	–	ns
			4 MHz < f _{MCK} ≤ 8 MHz	8/f _{MCK}	16/f _{MCK}	–	–	–	–	–	ns
			f _{MCK} ≤ 4 MHz	6/f _{MCK}	10/f _{MCK}	10/f _{MCK}	10/f _{MCK}	10/f _{MCK}	10/f _{MCK}	10/f _{MCK}	ns
		1.9 V ≤ EV _{DD} < 3.3 V, 1.6 V ≤ V _b ≤ 2.0 V ^{Note 2}	24 MHz < f _{MCK}	48/f _{MCK}	–	–	–	–	–	–	ns
			20 MHz < f _{MCK} ≤ 24 MHz	36/f _{MCK}	–	–	–	–	–	–	ns
			16 MHz < f _{MCK} ≤ 20 MHz	32/f _{MCK}	–	–	–	–	–	–	ns
			8 MHz < f _{MCK} ≤ 16 MHz	26/f _{MCK}	–	–	–	–	–	–	ns
			4 MHz < f _{MCK} ≤ 8 MHz	16/f _{MCK}	16/f _{MCK}	–	–	–	–	–	ns
f _{MCK} ≤ 4 MHz	10/f _{MCK}	10/f _{MCK}	10/f _{MCK}	10/f _{MCK}	10/f _{MCK}	10/f _{MCK}	10/f _{MCK}	ns			
SCKp high-/low-level width	t _{KH2} , t _{KL2}	4.0 V ≤ EV _{DD} ≤ 5.5 V, 2.7 V ≤ V _b ≤ 4.0 V	t _{KCY2} /2 – 12	t _{KCY2} /2 – 50	t _{KCY2} /2 – 50	t _{KCY2} /2 – 50	t _{KCY2} /2 – 50	t _{KCY2} /2 – 50	t _{KCY2} /2 – 50	ns	
		2.7 V ≤ EV _{DD} < 4.0 V, 2.3 V ≤ V _b ≤ 2.7 V	t _{KCY2} /2 – 18	t _{KCY2} /2 – 50	t _{KCY2} /2 – 50	t _{KCY2} /2 – 50	t _{KCY2} /2 – 50	t _{KCY2} /2 – 50	t _{KCY2} /2 – 50	ns	
		1.9 V ≤ EV _{DD} < 3.3 V, 1.6 V ≤ V _b ≤ 2.0 V ^{Note 2}	t _{KCY2} /2 – 50	t _{KCY2} /2 – 50	t _{KCY2} /2 – 50	t _{KCY2} /2 – 50	t _{KCY2} /2 – 50	t _{KCY2} /2 – 50	t _{KCY2} /2 – 50	ns	
Slp setup time (to SCKp↑) ^{Note 3}	t _{SIK2}	2.7 V ≤ EV _{DD} ≤ 5.5 V, 2.3 V ≤ V _b ≤ 4.0 V ^{Note 2}	1/f _{MCK} + 20	1/f _{MCK} + 30	1/f _{MCK} + 30	1/f _{MCK} + 30	1/f _{MCK} + 30	1/f _{MCK} + 30	1/f _{MCK} + 30	ns	
		1.9 V ≤ EV _{DD} < 3.3 V, 1.6 V ≤ V _b ≤ 2.0 V ^{Note 2}	1/f _{MCK} + 30	1/f _{MCK} + 30	1/f _{MCK} + 30	1/f _{MCK} + 30	1/f _{MCK} + 30	1/f _{MCK} + 30	1/f _{MCK} + 30	ns	
Slp hold time (from SCKp↑) ^{Note 3}	t _{SI2}	2.7 V ≤ EV _{DD} ≤ 5.5 V, 2.3 V ≤ V _b ≤ 4.0 V ^{Note 2}	1/f _{MCK} + 31	1/f _{MCK} + 31	1/f _{MCK} + 31	1/f _{MCK} + 31	1/f _{MCK} + 31	1/f _{MCK} + 31	1/f _{MCK} + 31	ns	
		1.9 V ≤ EV _{DD} < 3.3 V, 1.6 V ≤ V _b ≤ 2.0 V ^{Note 2}	1/f _{MCK} + 31	1/f _{MCK} + 31	1/f _{MCK} + 31	1/f _{MCK} + 31	1/f _{MCK} + 31	1/f _{MCK} + 31	1/f _{MCK} + 31	ns	

(Notes, Caution and Remarks are listed on the next page.)

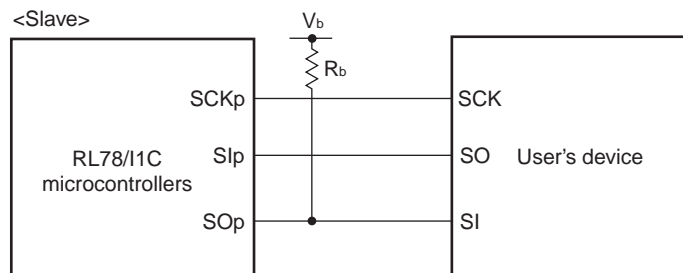
(8) Communication at different potential (1.8 V, 2.5 V, 3 V) (CSI mode) (slave mode, SCKp ... external clock input)
 (T_A = -40 to +85°C, 1.9 V ≤ EV_{DD0} = EV_{DD1} ≤ V_{DD}^{Note 5} ≤ 5.5 V, V_{SS} = EV_{SS0} = EV_{SS1} = 0 V) (2/2)

Parameter	Symbol	Conditions	HS (high-speed main) Mode		LS (low-speed main) Mode		LP (low-power main) Mode		LV (low-voltage main) Mode		Unit
			MIN.	MAX.	MIN.	MAX.	MIN.	MAX.	MIN.	MAX.	
Delay time from SCKp↓ to SOp output ^{Note 4}	t _{KSO2}	4.0 V ≤ EV _{DD} ≤ 5.5 V, 2.7 V ≤ V _b ≤ 4.0 V, C _b = 30 pF, R _b = 1.4 kΩ		2/f _{MCK} + 120		2/f _{MCK} + 573		2/f _{MCK} + 573		2/f _{MCK} + 573	ns
		2.7 V ≤ EV _{DD} < 4.0 V, 2.3 V ≤ V _b ≤ 2.7 V, C _b = 30 pF, R _b = 2.7 kΩ		2/f _{MCK} + 214		2/f _{MCK} + 573		2/f _{MCK} + 573		2/f _{MCK} + 573	ns
		1.9 V ≤ EV _{DD} < 3.3 V, 1.6 V ≤ V _b ≤ 2.0 V ^{Note 2} , C _b = 30 pF, R _b = 5.5 kΩ		2/f _{MCK} + 573		2/f _{MCK} + 573		2/f _{MCK} + 573		2/f _{MCK} + 573	ns

- Notes**
1. Transfer rate in the SNOOZE mode: MAX. 1 Mbps
 2. Use it with EV_{DD} ≥ V_b.
 3. When DAP_{mn} = 0 and CKP_{mn} = 0, or DAP_{mn} = 1 and CKP_{mn} = 1. The Slp setup time becomes “to SCKp↓” when DAP_{mn} = 0 and CKP_{mn} = 1, or DAP_{mn} = 1 and CKP_{mn} = 0.
 4. When DAP_{mn} = 0 and CKP_{mn} = 0, or DAP_{mn} = 1 and CKP_{mn} = 1. The Slp hold time becomes “from SCKp↑” when DAP_{mn} = 0 and CKP_{mn} = 1, or DAP_{mn} = 1 and CKP_{mn} = 0.
 5. Either V_{DD} or V_{BAT} is selected by the battery backup function.

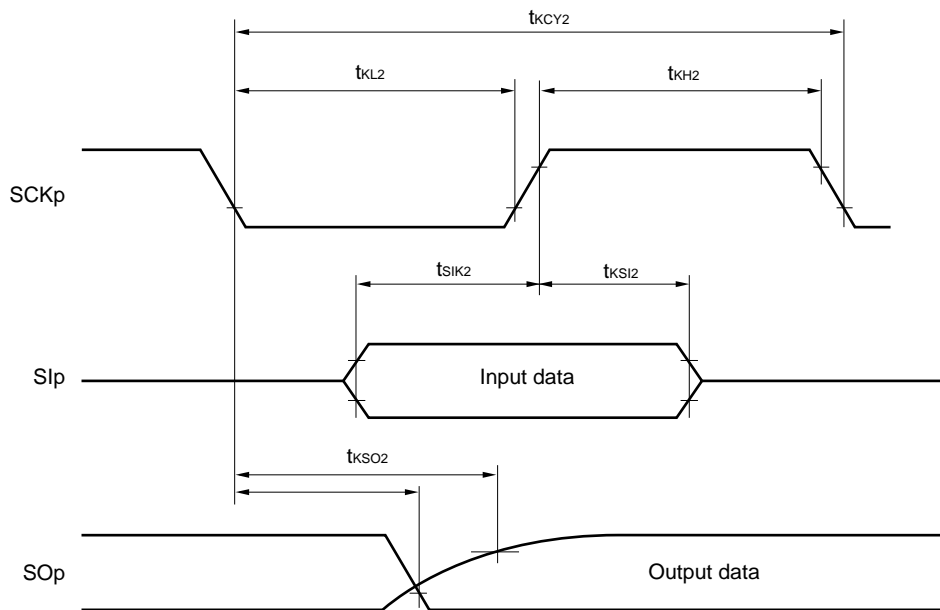
Caution Select the TTL input buffer for the Slp pin and SCKp pin and the N-ch open drain output (V_{DD} tolerance) mode for the SOp pin by using port input mode register g (PIMg) and port output mode register g (POMg). For V_{IH} and V_{IL}, see the DC characteristics with TTL input buffer selected.

CSI mode connection diagram (during communication at different potential)

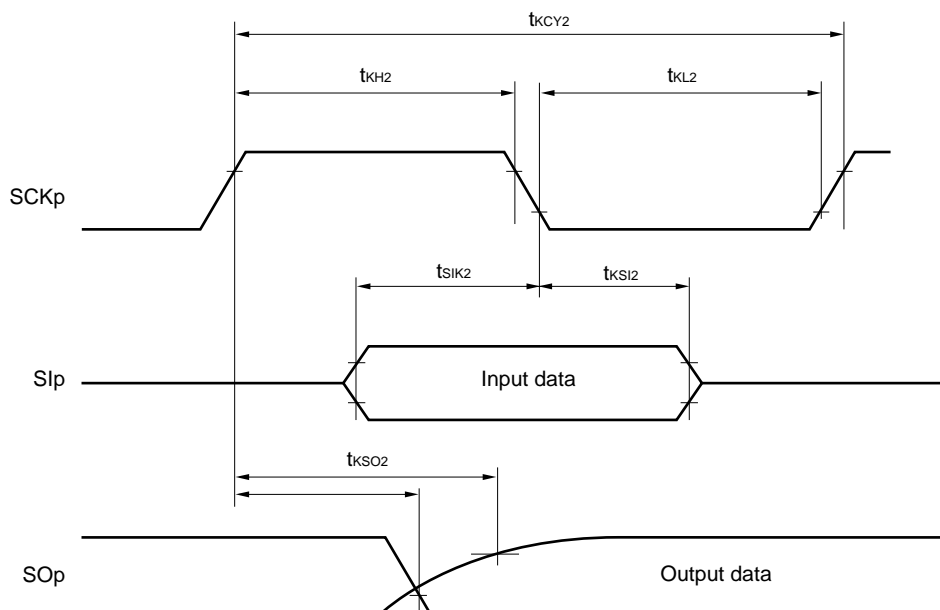


- Remarks**
1. R_b[Ω]: Communication line (SO_p) pull-up resistance, C_b[F]: Communication line (SO_p) load capacitance, V_b[V]: Communication line voltage
 2. p: CSI number (p = 00, 10, 30), m: Unit number, n: Channel number (mn = 00, 02, 10), g: PIM and POM number (g = 0, 1, 8)
 3. f_{MCK}: Serial array unit operation clock frequency
 (Operating clock that is set with the serial clock select register m (SPSm) and the CKSmn bit of serial mode register mn (SMRmn).
 m: Unit number, n: Channel number (mn = 00, 02, 12))

**CSI mode serial transfer timing (slave mode) (during communication at different potential)
(when DAPmn = 0 and CKPmn = 0, or DAPmn = 1 and CKPmn = 1)**



**CSI mode serial transfer timing (slave mode) (during communication at different potential)
(When DAPmn = 0 and CKPmn = 1, or DAPmn = 1 and CKPmn = 0.)**



Caution Select the TTL input buffer for the Slp pin and SCKp pin and the N-ch open drain output (V_{DD} tolerance) mode for the SOp pin by using port input mode register g (PIMg) and port output mode register g (POMg). For V_{IH} and V_{IL} , see the DC characteristics with TTL input buffer selected.

Remark p: CSI number (p = 00, 10, 30), m: Unit number, n: Channel number (mn = 00, 02, 12), g: PIM and POM number (g = 0, 1, 8)

(9) Communication at different potential (1.8 V, 2.5 V, 3 V) (simplified I²C mode) (1/2)(T_A = -40 to +85°C, 1.9 V ≤ EV_{DD0} = EV_{DD1} ≤ V_{DD}^{Note 4} ≤ 5.5 V, V_{SS} = EV_{SS0} = EV_{SS1} = 0 V)

Parameter	Symbol	Conditions	HS (high-speed main) Mode		LS (low-speed main) Mode		LP (low-power main) Mode		LV (low-voltage main) Mode		Unit
			MIN.	MAX.	MIN.	MAX.	MIN.	MAX.	MIN.	MAX.	
SCLr clock frequency	f _{SCL}	4.0 V ≤ EV _{DD} ≤ 5.5 V, 2.7 V ≤ V _b ≤ 4.0 V, C _b = 50 pF, R _b = 2.7 kΩ		1000 ^{Note 1}		300 ^{Note 1}		300 ^{Note 1}		300 ^{Note 1}	kHz
		2.7 V ≤ EV _{DD} < 4.0 V, 2.3 V ≤ V _b ≤ 2.7 V, C _b = 50 pF, R _b = 2.7 kΩ		1000 ^{Note 1}		300 ^{Note 1}		300 ^{Note 1}		300 ^{Note 1}	kHz
		4.0 V ≤ EV _{DD} ≤ 5.5 V, 2.7 V ≤ V _b ≤ 4.0 V, C _b = 100 pF, R _b = 2.8 kΩ		400 ^{Note 1}		300 ^{Note 1}		300 ^{Note 1}		300 ^{Note 1}	kHz
		2.7 V ≤ EV _{DD} < 4.0 V, 2.3 V ≤ V _b ≤ 2.7 V, C _b = 100 pF, R _b = 2.7 kΩ		400 ^{Note 1}		300 ^{Note 1}		300 ^{Note 1}		300 ^{Note 1}	kHz
		1.9 V ≤ EV _{DD} < 3.3 V, 1.6 V ≤ V _b ≤ 2.0 V ^{Note 2} , C _b = 100 pF, R _b = 5.5 kΩ		300 ^{Note 1}		300 ^{Note 1}		300 ^{Note 1}		300 ^{Note 1}	kHz
Hold time when SCLr = "L"	t _{LOW}	4.0 V ≤ EV _{DD} ≤ 5.5 V, 2.7 V ≤ V _b ≤ 4.0 V, C _b = 50 pF, R _b = 2.7 kΩ	475		1550		1550		1550		ns
		2.7 V ≤ EV _{DD} < 4.0 V, 2.3 V ≤ V _b ≤ 2.7 V, C _b = 50 pF, R _b = 2.7 kΩ	475		1550		1550		1550		ns
		4.0 V ≤ EV _{DD} ≤ 5.5 V, 2.7 V ≤ V _b ≤ 4.0 V, C _b = 100 pF, R _b = 2.8 kΩ	1150		1150		1150		1150		ns
		2.7 V ≤ EV _{DD} < 4.0 V, 2.3 V ≤ V _b ≤ 2.7 V, C _b = 100 pF, R _b = 2.7 kΩ	1150		1150		1150		1150		ns
		1.9 V ≤ EV _{DD} < 3.3 V, 1.6 V ≤ V _b ≤ 2.0 V ^{Note 2} , C _b = 100 pF, R _b = 5.5 kΩ	1150		1150		1150		1150		ns
Hold time when SCLr = "H"	t _{HIGH}	4.0 V ≤ EV _{DD} ≤ 5.5 V, 2.7 V ≤ V _b ≤ 4.0 V, C _b = 50 pF, R _b = 2.7 kΩ	245		610		610		610		ns
		2.7 V ≤ EV _{DD} < 4.0 V, 2.3 V ≤ V _b ≤ 2.7 V, C _b = 50 pF, R _b = 2.7 kΩ	200		610		610		610		ns
		4.0 V ≤ EV _{DD} ≤ 5.5 V, 2.7 V ≤ V _b ≤ 4.0 V, C _b = 100 pF, R _b = 2.8 kΩ	675		610		610		610		ns
		2.7 V ≤ EV _{DD} < 4.0 V, 2.3 V ≤ V _b ≤ 2.7 V, C _b = 100 pF, R _b = 2.7 kΩ	600		610		610		610		ns
		1.9 V ≤ EV _{DD} < 3.3 V, 1.6 V ≤ V _b ≤ 2.0 V ^{Note 2} , C _b = 100 pF, R _b = 5.5 kΩ	610		610		610		610		ns

(Notes, Caution and Remarks are listed on the next page.)

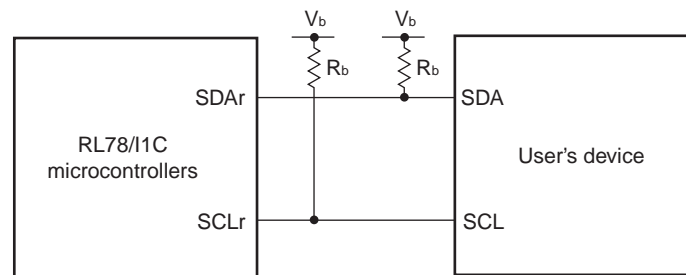
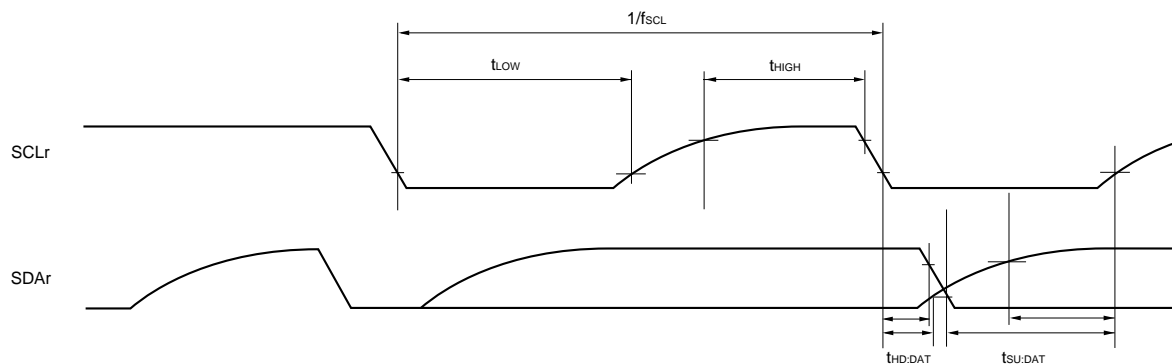
(9) Communication at different potential (1.8 V, 2.5 V, 3 V) (simplified I²C mode) (2/2)**(T_A = -40 to +85°C, 1.9 V ≤ EV_{DD0} = EV_{DD1} ≤ V_{DD}^{Note 4} ≤ 5.5 V, V_{SS} = EV_{SS0} = EV_{SS1} = 0 V)**

Parameter	Symbol	Conditions	HS (high-speed main) Mode		LS (low-speed main) Mode		LP (low-power main) Mode		LV (low-voltage main) Mode		Unit
			MIN.	MAX.	MIN.	MAX.	MIN.	MAX.	MIN.	MAX.	
Data setup time (reception)	t _{SU:DAT}	4.0 V ≤ EV _{DD} ≤ 5.5 V, 2.7 V ≤ V _b ≤ 4.0 V, C _b = 50 pF, R _b = 2.7 kΩ	1/f _{MCK} + 135 ^{Note 3}		1/f _{MCK} + 190 ^{Note 3}		1/f _{MCK} + 190 ^{Note 3}		1/f _{MCK} + 190 ^{Note 3}		ns
		2.7 V ≤ EV _{DD} < 4.0 V, 2.3 V ≤ V _b ≤ 2.7 V, C _b = 50 pF, R _b = 2.7 kΩ	1/f _{MCK} + 135 ^{Note 3}		1/f _{MCK} + 190 ^{Note 3}		1/f _{MCK} + 190 ^{Note 3}		1/f _{MCK} + 190 ^{Note 3}		ns
		4.0 V ≤ EV _{DD} ≤ 5.5 V, 2.7 V ≤ V _b ≤ 4.0 V, C _b = 100 pF, R _b = 2.8 kΩ	1/f _{MCK} + 190 ^{Note 3}		1/f _{MCK} + 190 ^{Note 3}		1/f _{MCK} + 190 ^{Note 3}		1/f _{MCK} + 190 ^{Note 3}		ns
		2.7 V ≤ EV _{DD} < 4.0 V, 2.3 V ≤ V _b ≤ 2.7 V, C _b = 100 pF, R _b = 2.7 kΩ	1/f _{MCK} + 190 ^{Note 3}		1/f _{MCK} + 190 ^{Note 3}		1/f _{MCK} + 190 ^{Note 3}		1/f _{MCK} + 190 ^{Note 3}		ns
		1.9 V ≤ EV _{DD} < 3.3 V, 1.6 V ≤ V _b ≤ 2.0 V ^{Note 2} , C _b = 100 pF, R _b = 5.5 kΩ	1/f _{MCK} + 190 ^{Note 3}		1/f _{MCK} + 190 ^{Note 3}		1/f _{MCK} + 190 ^{Note 3}		1/f _{MCK} + 190 ^{Note 3}		ns
Data hold time (transmission)	t _{HD:DAT}	4.0 V ≤ EV _{DD} ≤ 5.5 V, 2.7 V ≤ V _b ≤ 4.0 V, C _b = 50 pF, R _b = 2.7 kΩ	0	305	0	305	0	305	0	305	ns
		2.7 V ≤ EV _{DD} < 4.0 V, 2.3 V ≤ V _b ≤ 2.7 V, C _b = 50 pF, R _b = 2.7 kΩ	0	305	0	305	0	305	0	305	ns
		4.0 V ≤ EV _{DD} ≤ 5.5 V, 2.7 V ≤ V _b ≤ 4.0 V, C _b = 100 pF, R _b = 2.8 kΩ	0	355	0	355	0	355	0	355	ns
		2.7 V ≤ EV _{DD} < 4.0 V, 2.3 V ≤ V _b ≤ 2.7 V, C _b = 100 pF, R _b = 2.7 kΩ	0	355	0	355	0	355	0	355	ns
		1.9 V ≤ EV _{DD} < 3.3 V, 1.6 V ≤ V _b ≤ 2.0 V ^{Note 2} , C _b = 100 pF, R _b = 5.5 kΩ	0	405	0	405	0	405	0	405	ns

Notes 1. The value must also be equal to or less than f_{MCK}/4.**2.** Use it with EV_{DD} ≥ V_b.**3.** Set the f_{MCK} value to keep the hold time of SCLr = "L" and SCLr = "H".**4.** Either V_{DD} or V_{BAT} is selected by the battery backup function.

Caution Select the TTL input buffer and the N-ch open drain output (V_{DD} tolerance) mode for the SDAr pin and the N-ch open drain output (V_{DD} tolerance) mode for the SCLr pin by using port input mode register g (PIMg) and port output mode register g (POMg). For V_{IH} and V_{IL}, see the DC characteristics with TTL input buffer selected.

(Remarks are listed on the next page.)

Simplified I²C mode connection diagram (during communication at different potential)Simplified I²C mode serial transfer timing (during communication at different potential)

Caution Select the TTL input buffer and the N-ch open drain output (V_{DD} tolerance) mode for the SDAr pin and the N-ch open drain output (V_{DD} tolerance) mode for the SCLr pin by using port input mode register g (PIMg) and port output mode register g (POMg). For V_{IH} and V_{IL} , see the DC characteristics with TTL input buffer selected.

- Remarks**
1. $R_b[\Omega]$: Communication line (SDAr, SCLr) pull-up resistance, $C_b[F]$: Communication line (SDAr, SCLr) load capacitance, $V_b[V]$: Communication line voltage
 2. r: IIC number (r = 00, 10, 30), g: PIM, POM number (g = 0, 1, 8)
 3. f_{MCK} : Serial array unit operation clock frequency
(Operating clock that is set with the serial clock select register m (SPSm) and the CKSmn bit of serial mode register mn (SMRmn).
m: Unit number, n: Channel number (mn = 00, 02, 12))

41.5.2 Serial interface I2CA

(1) I²C standard mode (1/2)(TA = -40 to +85°C, 1.7 V ≤ EVDD0 = EVDD1 ≤ VDD^{Note 3} ≤ 5.5 V, VSS = EVSS0 = EVSS1 = 0 V)

Parameter	Symbol	Conditions	HS (high-speed main) Mode		LS (low-speed main) Mode		LP (low-power main) Mode		LV (low-voltage main) Mode		Unit	
			MIN.	MAX.	MIN.	MAX.	MIN.	MAX.	MIN.	MAX.		
SCLA0 clock frequency	f _{SCL}	Standard mode: f _{CLK} ≥ 1 MHz	2.7 V ≤ EV _{DD} ≤ 5.5 V	0	100	0	100	0	100	0	100	kHz
			1.9 V ≤ EV _{DD} ≤ 5.5 V	0	100	0	100	0	100	0	100	kHz
			1.8 V ≤ EV _{DD} ≤ 5.5 V	0	100	0	100	0	100	0	100	kHz
			1.7 V ≤ EV _{DD} ≤ 5.5 V	–	–	0	100	0	100	0	100	kHz
Setup time of restart condition	t _{SU:STA}	2.7 V ≤ EV _{DD} ≤ 5.5 V	4.7		4.7		4.7		4.7		μs	
		1.9 V ≤ EV _{DD} ≤ 5.5 V	4.7		4.7		4.7		4.7		μs	
		1.8 V ≤ EV _{DD} ≤ 5.5 V	4.7		4.7		4.7		4.7		μs	
		1.7 V ≤ EV _{DD} ≤ 5.5 V	–	–	4.7		4.7		4.7		μs	
Hold time ^{Note 1}	t _{HD:STA}	2.7 V ≤ EV _{DD} ≤ 5.5 V	4.0		4.0		4.0		4.0		μs	
		1.9 V ≤ EV _{DD} ≤ 5.5 V	4.0		4.0		4.0		4.0		μs	
		1.8 V ≤ EV _{DD} ≤ 5.5 V	4.0		4.0		4.0		4.0		μs	
		1.7 V ≤ EV _{DD} ≤ 5.5 V	–	–	4.0		4.0		4.0		μs	
Hold time when SCLA0 = "L"	t _{LOW}	2.7 V ≤ EV _{DD} ≤ 5.5 V	4.7		4.7		4.7		4.7		μs	
		1.9 V ≤ EV _{DD} ≤ 5.5 V	4.7		4.7		4.7		4.7		μs	
		1.8 V ≤ EV _{DD} ≤ 5.5 V	4.7		4.7		4.7		4.7		μs	
		1.7 V ≤ EV _{DD} ≤ 5.5 V	–	–	4.7		4.7		4.7		μs	
Hold time when SCLA0 = "H"	t _{HIGH}	2.7 V ≤ EV _{DD} ≤ 5.5 V	4.0		4.0		4.0		4.0		μs	
		1.9 V ≤ EV _{DD} ≤ 5.5 V	4.0		4.0		4.0		4.0		μs	
		1.8 V ≤ EV _{DD} ≤ 5.5 V	4.0		4.0		4.0		4.0		μs	
		1.7 V ≤ EV _{DD} ≤ 5.5 V	–	–	4.0		4.0		4.0		μs	
Data setup time (reception)	t _{SU:DAT}	2.7 V ≤ EV _{DD} ≤ 5.5 V	250		250		250		250		μs	
		1.9 V ≤ EV _{DD} ≤ 5.5 V	250		250		250		250		μs	
		1.8 V ≤ EV _{DD} ≤ 5.5 V	250		250		250		250		μs	
		1.7 V ≤ EV _{DD} ≤ 5.5 V	–	–	250		250		250		μs	
Data hold time (transmission) <small>Note 2</small>	t _{HD:DAT}	2.7 V ≤ EV _{DD} ≤ 5.5 V	0	3.45	0	3.45	0	3.45	0	3.45	μs	
		1.9 V ≤ EV _{DD} ≤ 5.5 V	0	3.45	0	3.45	0	3.45	0	3.45	μs	
		1.8 V ≤ EV _{DD} ≤ 5.5 V	0	3.45	0	3.45	0	3.45	0	3.45	μs	
		1.7 V ≤ EV _{DD} ≤ 5.5 V	–	–	0	3.45	0	3.45	0	3.45	μs	

(Notes and Remark are listed on the next page.)

(1) I²C standard mode (2/2)(T_A = -40 to +85°C, 1.7 V ≤ EV_{DD0} = EV_{DD1} ≤ V_{DD}^{Note 3} ≤ 5.5 V, V_{SS} = EV_{SS0} = EV_{SS1} = 0 V)

Parameter	Symbol	Conditions	HS (high-speed main) Mode		LS (low-speed main) Mode		LP (low-power main) Mode		LV (low-voltage main) Mode		Unit
			MIN.	MAX.	MIN.	MAX.	MIN.	MAX.	MIN.	MAX.	
Setup time of stop condition	t _{SU:STO}	2.7 V ≤ EV _{DD} ≤ 5.5 V	4.0		4.0		4.0		4.0		μs
		1.9 V ≤ EV _{DD} ≤ 5.5 V	4.0		4.0		4.0		4.0		μs
		1.8 V ≤ EV _{DD} ≤ 5.5 V	4.0		4.0		4.0		4.0		μs
		1.7 V ≤ EV _{DD} ≤ 5.5 V	–	–	4.0		4.0		4.0		μs
Bus-free time	t _{BUF}	2.7 V ≤ EV _{DD} ≤ 5.5 V	4.7		4.7		4.7		4.7		μs
		1.9 V ≤ EV _{DD} ≤ 5.5 V	4.7		4.7		4.7		4.7		μs
		1.8 V ≤ EV _{DD} ≤ 5.5 V	4.7		4.7		4.7		4.7		μs
		1.7 V ≤ EV _{DD} ≤ 5.5 V	–	–	4.7		4.7		4.7		μs

- Notes**
1. The first clock pulse is generated after this period when the start/restart condition is detected.
 2. The maximum value (MAX.) of t_{HD:DAT} is during normal transfer and a wait state is inserted in the ACK (acknowledge) timing.
 3. Either V_{DD} or V_{BAT} is selected by the battery backup function.

Remark The maximum value of C_b (communication line capacitance) and the value of R_b (communication line pull-up resistor) at that time in each mode are as follows.

Standard mode: C_b = 400 pF, R_b = 2.7 kΩ

(2) I²C fast mode(T_A = -40 to +85°C, 1.9 V ≤ EV_{DD0} = EV_{DD1} ≤ V_{DD}^{Note 3} ≤ 5.5 V, V_{SS} = EV_{SS0} = EV_{SS1} = 0 V)

Parameter	Symbol	Conditions		HS (high-speed main) Mode		LS (low-speed main) Mode		LP (low-power main) Mode		LV (low-voltage main) Mode		Unit
				MIN.	MAX.	MIN.	MAX.	MIN.	MAX.	MIN.	MAX.	
SCLA0 clock frequency	f _{SCL}	Fast mode: f _{CLK} ≥ 3.5 MHz	2.7 V ≤ EV _{DD} ≤ 5.5 V	0	400	0	400	–	–	0	400	kHz
			1.9 V ≤ EV _{DD} ≤ 5.5 V	0	400	0	400	–	–	0	400	kHz
Setup time of restart condition	t _{SU:STA}	2.7 V ≤ EV _{DD} ≤ 5.5 V		0.6		0.6		–	–	0.6		μs
		1.9 V ≤ EV _{DD} ≤ 5.5 V		0.6		0.6		–	–	0.6		μs
Hold time ^{Note 1}	t _{HD:STA}	2.7 V ≤ EV _{DD} ≤ 5.5 V		0.6		0.6		–	–	0.6		μs
		1.9 V ≤ EV _{DD} ≤ 5.5 V		0.6		0.6		–	–	0.6		μs
Hold time when SCLA0 = "L"	t _{LOW}	2.7 V ≤ EV _{DD} ≤ 5.5 V		1.3		1.3		–	–	1.3		μs
		1.9 V ≤ EV _{DD} ≤ 5.5 V		1.3		1.3		–	–	1.3		μs
Hold time when SCLA0 = "H"	t _{HIGH}	2.7 V ≤ EV _{DD} ≤ 5.5 V		0.6		0.6		–	–	0.6		μs
		1.9 V ≤ EV _{DD} ≤ 5.5 V		0.6		0.6		–	–	0.6		μs
Data setup time (reception)	t _{SU:DAT}	2.7 V ≤ EV _{DD} ≤ 5.5 V		100		100		–	–	100		ns
		1.9 V ≤ EV _{DD} ≤ 5.5 V		100		100		–	–	100		ns
Data hold time (transmission) <small>Note 2</small>	t _{HD:DAT}	2.7 V ≤ EV _{DD} ≤ 5.5 V		0	0.9	0	0.9	–	–	0	0.9	μs
		1.9 V ≤ EV _{DD} ≤ 5.5 V		0	0.9	0	0.9	–	–	0	0.9	μs
Setup time of stop condition	t _{SU:STO}	2.7 V ≤ EV _{DD} ≤ 5.5 V		0.6		0.6		–	–	0.6		μs
		1.9 V ≤ EV _{DD} ≤ 5.5 V		0.6		0.6		–	–	0.6		μs
Bus-free time	t _{BUF}	2.7 V ≤ EV _{DD} ≤ 5.5 V		1.3		1.3		–	–	1.3		μs
		1.9 V ≤ EV _{DD} ≤ 5.5 V		1.3		1.3		–	–	1.3		μs

- Notes**
- The first clock pulse is generated after this period when the start/restart condition is detected.
 - The maximum value (MAX.) of t_{HD:DAT} is during normal transfer and a wait state is inserted in the ACK (acknowledge) timing.
 - Either V_{DD} or V_{BAT} is selected by the battery backup function.

Remark The maximum value of C_b (communication line capacitance) and the value of R_b (communication line pull-up resistor) at that time in each mode are as follows.

Fast mode: C_b = 320 pF, R_b = 1.1 kΩ

(3) I²C fast mode plus

(T_A = -40 to +85°C, 2.7 V ≤ EVDD0 = EVDD1 ≤ VDD^{Note 3} ≤ 5.5 V, VSS = EVSS0 = EVSS1 = 0 V)

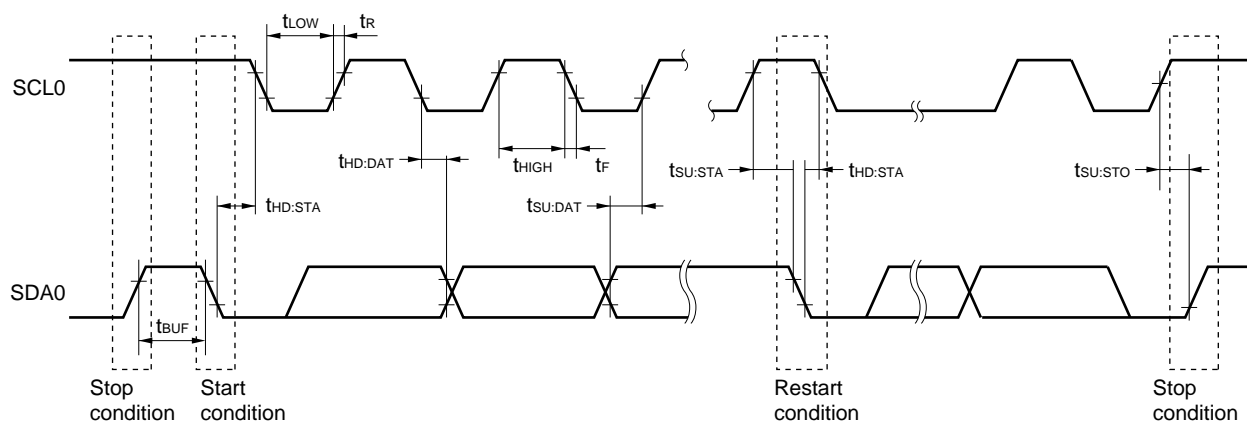
Parameter	Symbol	Conditions	HS (high-speed main) Mode		LS (low-speed main) Mode		LP (low-power main) Mode		LV (low-voltage main) Mode		Unit
			MIN.	MAX.	MIN.	MAX.	MIN.	MAX.	MIN.	MAX.	
SCLA0 clock frequency	f _{SCL}	Fast mode plus: f _{CLK} ≥ 10 MHz 2.7 V ≤ EV _{DD} ≤ 5.5 V	0	1000	-	-	-	-	-	-	kHz
Setup time of restart condition	t _{SU:STA}	2.7 V ≤ EV _{DD} ≤ 5.5 V	0.26		-	-	-	-	-	-	μs
Hold time ^{Note 1}	t _{HD:STA}	2.7 V ≤ EV _{DD} ≤ 5.5 V	0.26		-	-	-	-	-	-	μs
Hold time when SCLA0 = "L"	t _{LOW}	2.7 V ≤ EV _{DD} ≤ 5.5 V	0.5		-	-	-	-	-	-	μs
Hold time when SCLA0 = "H"	t _{HIGH}	2.7 V ≤ EV _{DD} ≤ 5.5 V	0.26		-	-	-	-	-	-	μs
Data setup time (reception)	t _{SU:DAT}	2.7 V ≤ EV _{DD} ≤ 5.5 V	50		-	-	-	-	-	-	ns
Data hold time (transmission) ^{Note 2}	t _{HD:DAT}	2.7 V ≤ EV _{DD} ≤ 5.5 V	0	0.5	-	-	-	-	-	-	μs
Setup time of stop condition	t _{SU:STO}	2.7 V ≤ EV _{DD} ≤ 5.5 V	0.26		-	-	-	-	-	-	μs
Bus-free time	t _{BUF}	2.7 V ≤ EV _{DD} ≤ 5.5 V	0.5		-	-	-	-	-	-	μs

- Notes**
1. The first clock pulse is generated after this period when the start/restart condition is detected.
 2. The maximum value (MAX.) of t_{HD:DAT} is during normal transfer and a wait state is inserted in the ACK (acknowledge) timing.
 3. Either V_{DD} or V_{BAT} is selected by the battery backup function.

Remark The maximum value of C_b (communication line capacitance) and the value of R_b (communication line pull-up resistor) at that time in each mode are as follows.

Fast mode plus: C_b = 120 pF, R_b = 1.1 kΩ

I²C serial transfer timing



41.6 Analog Characteristics

41.6.1 A/D converter characteristics

(1) When reference voltage (+) = $AV_{REFP}/ANI0$ (ADREFP1 = 0, ADREFP0 = 1), reference voltage (-) = $AV_{REFM}/ANI1$ (ADREFM = 1), target pins: ANI2 to ANI5 and internal reference voltage

($T_A = -40$ to $+85^\circ\text{C}$, $1.9\text{ V} \leq V_{DD}^{\text{Note 3}} \leq 5.5\text{ V}$, $V_{SS} = 0\text{ V}$, reference voltage (+) = AV_{REFP} , reference voltage (-) = $AV_{REFM} = 0\text{ V}$)

Parameter	Symbol	Conditions		MIN.	TYP.	MAX.	Unit
Resolution	RES			8		10	bit
Overall error ^{Notes 1, 2}	AINL	10-bit resolution $AV_{REFP} = V_{DD}$	$1.9\text{ V} \leq AV_{REFP} \leq 5.5\text{ V}$		1.2	± 5.0	LSB
Conversion time	t_{CONV}	10-bit resolution	$3.6\text{ V} \leq V_{DD} \leq 5.5\text{ V}$	2.125		39	μs
			$2.7\text{ V} \leq V_{DD} \leq 5.5\text{ V}$	3.1875		39	μs
			$1.9\text{ V} \leq V_{DD} \leq 5.5\text{ V}$	17		39	μs
Zero-scale error ^{Notes 1, 2}	E _{ZS}	10-bit resolution $AV_{REFP} = V_{DD}$	$1.9\text{ V} \leq AV_{REFP} \leq 5.5\text{ V}$			± 0.35	%FSR
Full-scale error ^{Notes 1, 2}	E _{FS}	10-bit resolution $AV_{REFP} = V_{DD}$	$1.9\text{ V} \leq AV_{REFP} \leq 5.5\text{ V}$			± 0.35	%FSR
Integral linearity error ^{Note 1}	ILE	10-bit resolution $AV_{REFP} = V_{DD}$	$1.9\text{ V} \leq AV_{REFP} \leq 5.5\text{ V}$			± 3.5	LSB
Differential linearity error ^{Note 1}	DLE	10-bit resolution $AV_{REFP} = V_{DD}$	$1.9\text{ V} \leq AV_{REFP} \leq 5.5\text{ V}$			± 2.0	LSB
Reference voltage (+)	AV_{REFP}			1.9		V_{DD}	V
Analog input voltage	V_{AIN}			0		AV_{REFP}	V
	V_{BGR}	Select internal reference voltage output $2.4\text{ V} \leq V_{DD} \leq 5.5\text{ V}$, HS (high-speed main) mode		1.38	1.45	1.5	V

- Notes**
1. Excludes quantization error ($\pm 1/2$ LSB).
 2. This value is indicated as a ratio (%FSR) to the full-scale value.
 3. Either V_{DD} or V_{BAT} is selected by the battery backup function.

(2) When reference voltage (+) = V_{DD} (ADREFP1 = 0, ADREFP0 = 0), reference voltage (-) = V_{SS} (ADREFM = 0), target pins: ANI0 to ANI5 and internal reference voltage

($T_A = -40$ to $+85^\circ\text{C}$, $1.9\text{ V} \leq V_{DD}^{\text{Note 3}} \leq 5.5\text{ V}$, $V_{SS} = 0\text{ V}$, reference voltage (+) = $V_{DD}^{\text{Note 3}}$, reference voltage (-) = V_{SS})

Parameter	Symbol	Conditions		MIN.	TYP.	MAX.	Unit
Resolution	RES			8		10	bit
Overall error ^{Notes 1, 2}	AINL	10-bit resolution	$1.9\text{ V} \leq V_{DD} \leq 5.5\text{ V}$		1.2	± 10.5	LSB
Conversion time	t_{CONV}	10-bit resolution	$3.6\text{ V} \leq V_{DD} \leq 5.5\text{ V}$	2.125		39	μs
			$2.7\text{ V} \leq V_{DD} \leq 5.5\text{ V}$	3.1875		39	μs
			$1.9\text{ V} \leq V_{DD} \leq 5.5\text{ V}$	17		39	μs
Zero-scale error ^{Notes 1, 2}	E _{ZS}	10-bit resolution	$1.9\text{ V} \leq V_{DD} \leq 5.5\text{ V}$			± 0.85	%FSR
Full-scale error ^{Notes 1, 2}	E _{FS}	10-bit resolution	$1.9\text{ V} \leq V_{DD} \leq 5.5\text{ V}$			± 0.85	%FSR
Integral linearity error ^{Note 1}	ILE	10-bit resolution	$1.9\text{ V} \leq V_{DD} \leq 5.5\text{ V}$			± 4.0	LSB
Differential linearity error ^{Note 1}	DLE	10-bit resolution	$1.9\text{ V} \leq V_{DD} \leq 5.5\text{ V}$			± 2.0	LSB
Analog input voltage	V _{AIN}			0		V_{DD}	V
	V _{BGR}	Select internal reference voltage output, $2.4\text{ V} \leq V_{DD} \leq 5.5\text{ V}$, HS (high-speed main) mode		1.38	1.45	1.5	V

Notes 1. Excludes quantization error ($\pm 1/2$ LSB).

2. This value is indicated as a ratio (%FSR) to the full-scale value.

3. Either V_{DD} or V_{BAT} is selected by the battery backup function.

Caution When using reference voltage (+) = V_{DD} , taking into account the voltage drop due to the effect of the power switching circuit of the battery backup function and use the A/D conversion result. In addition, enter HALT mode during A/D conversion and set V_{DD} port to input.

(3) When reference voltage (+) = Internal reference voltage (ADREFP1 = 1, ADREFP0 = 0), reference voltage (-) = $AV_{REFM}/ANI1$ (ADREFM = 1), target pins: ANI0, ANI2 to ANI5

($T_A = -40$ to $+85^\circ\text{C}$, $2.4\text{ V} \leq V_{DD}^{\text{Note 3}} \leq 5.5\text{ V}$, $V_{SS} = 0\text{ V}$, reference voltage (+) = V_{BGR} , reference voltage (-) = $AV_{REFM} = 0\text{ V}$, HS (high-speed main) mode)

Parameter	Symbol	Conditions		MIN.	TYP.	MAX.	Unit
Resolution	RES			8			bit
Conversion time	t_{CONV}	8-bit resolution	$2.4\text{ V} \leq V_{DD} \leq 5.5\text{ V}$	17		39	μs
Zero-scale error ^{Notes 1, 2}	E _{ZS}	8-bit resolution	$2.4\text{ V} \leq V_{DD} \leq 5.5\text{ V}$			± 0.60	%FSR
Integral linearity error ^{Note 1}	ILE	8-bit resolution	$2.4\text{ V} \leq V_{DD} \leq 5.5\text{ V}$			± 2.0	LSB
Differential linearity error ^{Note 1}	DLE	8-bit resolution	$2.4\text{ V} \leq V_{DD} \leq 5.5\text{ V}$			± 1.0	LSB
Reference voltage (+)	V _{BGR}			1.38	1.45	1.5	V
Analog input voltage	V _{AIN}			0		V_{BGR}	V

Notes 1. Excludes quantization error ($\pm 1/2$ LSB).

2. This value is indicated as a ratio (%FSR) to the full-scale value.

3. Either V_{DD} or V_{BAT} is selected by the battery backup function.

41.6.2 24-bit $\Delta\Sigma$ A/D converter characteristics

(1) Reference voltage

 $(T_A = -40 \text{ to } +85^\circ\text{C}, 2.4 \text{ V} \leq V_{DD}^{\text{Note}} \leq 5.5 \text{ V}, V_{SS} = AV_{SS} = 0 \text{ V})$

Parameter	Symbol	Conditions	MIN.	TYP.	MAX.	Unit
Internal reference voltage	V_{AVRTO}			0.8		V
<R> Temperature coefficient for internal reference voltage	$dREF/dt$	0.47 μF capacitor connected to AREGC, AVRT, and AVCM pins		10		ppm/ $^\circ\text{C}$

Note Either V_{DD} or V_{BAT} is selected by the battery backup function.

(2) Analog input

 $(T_A = -40 \text{ to } +85^\circ\text{C}, 2.4 \text{ V} \leq V_{DD}^{\text{Note}} \leq 5.5 \text{ V}, V_{SS} = AV_{SS} = 0 \text{ V})$

Parameter	Symbol	Conditions	MIN.	TYP.	MAX.	Unit
Input voltage range (differential voltage)	V_{AIN}	x1 gain	-500		500	mV
		x2 gain	-250		250	
		x4 gain	-125		125	
		x8 gain	-62.5		62.5	
		x16 gain	-31.25		31.25	
		x32 gain (for current channels)	-15.625		15.625	
Input gain	ainGAIN	x1 gain		1		dB
		x2 gain		2		
		x4 gain		4		
		x8 gain		8		
		x16 gain		16		
		x32 gain (for current channels)		32		
Input impedance	ainRIN	Differential voltage	150	360		k Ω
		Single-ended voltage	100	240		

Note Either V_{DD} or V_{BAT} is selected by the battery backup function.

(3) 4 kHz sampling mode

(T_A = -40 to +85°C, 2.4 V ≤ V_{DD}^{Note} ≤ 5.5 V, V_{SS} = AV_{SS} = 0 V)

Parameter	Symbol	Conditions	MIN.	TYP.	MAX.	Unit
Operation clock	f _{DSAD}	f _x oscillation clock, input external clock or high-speed on-chip oscillator clock is used		12		MHz
Sampling frequency	f _s			3906.25		Hz
Oversampling frequency	f _{OS}			1.5		MHz
Output data rate	T _{DATA}			256		μs
Data width	RES			24		bit
SNDR	SNDR	x1 gain High-speed system clock is selected as operating clock of 24-bit ΔΣ A/D converter (bit 0 of PCKC register (DSADCK) = 1)		80		dB
		x16 gain High-speed system clock is selected as operating clock of 24-bit ΔΣ A/D converter (bit 0 of PCKC register (DSADCK) = 1)	69	74		
		x32 gain High-speed system clock is selected as operating clock of 24-bit ΔΣ A/D converter (bit 0 of PCKC register (DSADCK) = 1)	65	69		
Passband (low pass band)	f _{Chpf}	At -3 dB (phase in high pass filter not adjusted) Bits 7 and 6 of DSADHPFCR register (DSADCOF1, DSADCOF0) = 00		0.607		Hz
		At -3 dB (phase in high pass filter not adjusted) Bits 7 and 6 of DSADHPFCR register (DSADCOF1, DSADCOF0) = 01		1.214		Hz
		At -3 dB (phase in high pass filter not adjusted) Bits 7 and 6 of DSADHPFCR register (DSADCOF1, DSADCOF0) = 10		2.429		Hz
		At -3 dB (phase in high pass filter not adjusted) Bits 7 and 6 of DSADHPFCR register (DSADCOF1, DSADCOF0) = 11		4.857		Hz
In-band ripple 1	rp1	45 Hz to 55 Hz @50 Hz 54 Hz to 66 Hz @60 Hz	-0.01		0.01	dB
In-band ripple 2	rp2	45 Hz to 275 Hz @50 Hz 54 Hz to 330 Hz @60 Hz	-0.1		0.1	
In-band ripple 3	rp3	45 Hz to 1100 Hz @50 Hz 54 Hz to 1320 Hz @60 Hz	-0.1		0.1	
Passband (high pass band)	f _{Cipf}	-3 dB		1672		Hz
Stopband (high pass band)	f _{att}	-80 dB		2545		Hz
Out-band attenuation	ATT1	f _s	-80			dB
	ATT2	2 f _s	-80			dB

Note Either V_{DD} or V_{BAT} is selected by the battery backup function.

(4) 2 kHz sampling mode**($T_A = -40$ to $+85^\circ\text{C}$, $2.4\text{ V} \leq V_{DD}^{\text{Note}}$ $\leq 5.5\text{ V}$, $V_{SS} = AV_{SS} = 0\text{ V}$)**

Parameter	Symbol	Conditions	MIN.	TYP.	MAX.	Unit
Operation clock	f_{DSAD}	f_x oscillation clock, input external clock or high-speed on-chip oscillator clock is used		12		MHz
Sampling frequency	f_s			1935.125		Hz
Oversampling frequency	f_{OS}			0.75		MHz
Output data rate	T_{DATA}			512		μs
Data width	RES			24		bit
SNDR	SNDR	x1 gain High-speed system clock is selected as operating clock of 24-bit $\Delta\Sigma$ A/D converter (bit 0 of PCKC register (DSADCK) = 1)		80		dB
		x16 gain High-speed system clock is selected as operating clock of 24-bit $\Delta\Sigma$ A/D converter (bit 0 of PCKC register (DSADCK) = 1)	69	74		
		x32 gain High-speed system clock is selected as operating clock of 24-bit $\Delta\Sigma$ A/D converter (bit 0 of PCKC register (DSADCK) = 1)	65	69		
Passband (low pass band)	f_{Chpf}	At -3 dB (phase in high pass filter not adjusted)		0.303		Hz
In-band ripple 1	rp1	45 Hz to 55 Hz @50 Hz 54 Hz to 66 Hz @60 Hz	-0.01		0.01	dB
In-band ripple 2	rp2	45 Hz to 275 Hz @50 Hz 54 Hz to 330 Hz @60 Hz	-0.1		0.1	
In-band ripple 3	rp3	45 Hz to 660 Hz @50 Hz 54 Hz to 550 Hz @60 Hz	-0.1		0.1	
Passband (high pass band)	f_{Cipf}	-3 dB		836		Hz
Stopband (high pass band)	fatt	-80 dB		1273		Hz
Out-band attenuation	ATT1	f_s	-80			dB
	ATT2	$2 f_s$	-80			dB

Note Either V_{DD} or V_{BAT} is selected by the battery backup function.**41.6.3 Temperature sensor 2 characteristics****($T_A = -40$ to $+85^\circ\text{C}$, $2.4\text{ V} \leq V_{DD}^{\text{Note 2}}$ $\leq 5.5\text{ V}$, $V_{SS} = 0\text{ V}$, HS (high-speed main) mode)**

Parameter	Symbol	Conditions	MIN.	TYP.	MAX.	Unit
Temperature sensor 2 output voltage	V_{OUT}			0.67		V
Temperature coefficient	F_{VTMPS2}	Temperature sensor that depends on the temperature	-11.7	-10.7	-9.7	$\text{mV}/^\circ\text{C}$
Operation stabilization wait time ^{Note}	$t_{\text{TM PON}}$	Operable		15	50	μs
	$t_{\text{TM PCHG}}$	Switching mode		5	15	μs

Notes 1. Time to drop to output stable value $\pm 5\text{LSB}$ ($\pm 7\text{ mV}$) or less.2. Either V_{DD} or V_{BAT} is selected by the battery backup function.

41.6.4 POR circuit characteristics

($T_A = -40$ to $+85^\circ\text{C}$, $V_{SS} = 0$ V)

Parameter	Symbol	Conditions	MIN.	TYP.	MAX.	Unit
Detection voltage	V_{POR}	When power supply rises ^{Note 1}	1.47	1.51	1.55	V
	V_{PDR}	When power supply falls ^{Note 2}	1.46	1.50	1.54	V

Notes 1. Be sure to maintain the reset state until the power supply voltage rises over the minimum V_{DD} value in the operating voltage range specified in **41.4 AC Characteristics**, by using the voltage detector or external reset pin.

- 2.** If the power supply voltage falls while the voltage detector is off, be sure to either shift to STOP mode or execute a reset by using the voltage detector or external reset pin before the power supply voltage falls below the minimum operating voltage specified in **41.4 AC Characteristics**.

41.6.5 LVD circuit characteristics

LVD Detection Voltage of Reset Mode and Interrupt Mode

($T_A = -40$ to $+85^\circ\text{C}$, $V_{PDR} \leq V_{DD}^{\text{Note}} \leq 5.5$ V, $V_{SS} = 0$ V)

Parameter	Symbol	Conditions	MIN.	TYP.	MAX.	Unit	
Detection voltage	Supply voltage level	V_{LVD0}	When power supply rises	3.98	4.06	4.24	V
			When power supply falls	3.90	3.98	4.16	V
		V_{LVD1}	When power supply rises	3.68	3.75	3.92	V
			When power supply falls	3.60	3.67	3.84	V
		V_{LVD2}	When power supply rises	3.07	3.13	3.29	V
			When power supply falls	3.00	3.06	3.22	V
		V_{LVD3}	When power supply rises	2.96	3.02	3.18	V
			When power supply falls	2.90	2.96	3.12	V
		V_{LVD4}	When power supply rises	2.86	2.92	3.07	V
			When power supply falls	2.80	2.86	3.01	V
		V_{LVD5}	When power supply rises	2.76	2.81	2.97	V
			When power supply falls	2.70	2.75	2.91	V
		V_{LVD6}	When power supply rises	2.66	2.71	2.86	V
			When power supply falls	2.60	2.65	2.80	V
		V_{LVD7}	When power supply rises	2.56	2.61	2.76	V
			When power supply falls	2.50	2.55	2.70	V
		V_{LVD8}	When power supply rises	2.45	2.50	2.65	V
			When power supply falls	2.40	2.45	2.60	V
		V_{LVD9}	When power supply rises	2.05	2.09	2.23	V
			When power supply falls	2.00	2.04	2.18	V
		V_{LVD10}	When power supply rises	1.94	1.98	2.12	V
			When power supply falls	1.90	1.94	2.08	V
		V_{LVD11}	When power supply rises	1.84	1.88	2.01	V
			When power supply falls	1.80	1.84	1.97	V
V_{LVD12}	When power supply rises	1.74	1.77	1.81	V		
	When power supply falls	1.70	1.73	1.77	V		
Minimum pulse width	t_{LW}		300			μs	
Detection delay time					300	μs	

Note Either V_{DD} or V_{BAT} is selected by the battery backup function.

LVD Detection Voltage of Interrupt & Reset Mode**($T_A = -40$ to $+85^\circ\text{C}$, $V_{PDR} \leq V_{DD}^{\text{Note}} \leq 5.5$ V, $V_{SS} = 0$ V)**

Parameter	Symbol	Conditions	MIN.	TYP.	MAX.	Unit	
Interrupt & reset mode	V_{LVD8}	VPOC2, VPOC1, VPOC0 = 0, 0, 1, falling reset voltage: 1.8 V	1.80	1.84	1.97	V	
	V_{LVD7}	LVIS1, LVIS0 = 1, 0 (+0.1 V)	Rising release reset voltage	1.94	1.98	2.12	V
			Falling interrupt voltage	1.90	1.94	2.08	V
	V_{LVD6}	LVIS1, LVIS0 = 0, 1 (+0.2 V)	Rising release reset voltage	2.05	2.09	2.23	V
			Falling interrupt voltage	2.00	2.04	2.18	V
	V_{LVD1}	LVIS1, LVIS0 = 0, 0 (+1.2 V)	Rising release reset voltage	3.07	3.13	3.29	V
			Falling interrupt voltage	3.00	3.06	3.22	V
	V_{LVD8}	VPOC2, VPOC1, VPOC0 = 0, 1, 0, falling reset voltage	2.40	2.45	2.60	V	
	V_{LVD7}	LVIS1, LVIS0 = 1, 0	Rising release reset voltage	2.56	2.61	2.76	V
			Falling interrupt voltage	2.50	2.55	2.70	V
	V_{LVD6}	LVIS1, LVIS0 = 0, 1	Rising release reset voltage	2.66	2.71	2.86	V
			Falling interrupt voltage	2.60	2.65	2.80	V
	V_{LVD1}	LVIS1, LVIS0 = 0, 0	Rising release reset voltage	3.68	3.75	3.92	V
			Falling interrupt voltage	3.60	3.67	3.84	V
	V_{LVD5}	VPOC2, VPOC1, VPOC0 = 0, 1, 1, falling reset voltage	2.70	2.75	2.91	V	
	V_{LVD4}	LVIS1, LVIS0 = 1, 0	Rising release reset voltage	2.86	2.92	3.07	V
			Falling interrupt voltage	2.80	2.86	3.01	V
	V_{LVD3}	LVIS1, LVIS0 = 0, 1	Rising release reset voltage	2.96	3.02	3.18	V
			Falling interrupt voltage	2.90	2.96	3.12	V
	V_{LVD0}	LVIS1, LVIS0 = 0, 0	Rising release reset voltage	3.98	4.06	4.24	V
Falling interrupt voltage			3.90	3.98	4.16	V	

Note Either V_{DD} or V_{BAT} is selected by the battery backup function.**41.6.6 Power supply voltage rising slope characteristics****($T_A = -40$ to $+85^\circ\text{C}$, $V_{SS} = 0$ V)**

Parameter	Symbol	Conditions	MIN.	TYP.	MAX.	Unit
Power supply voltage rising slope	SV_{DDR}				54	V/ms
	SV_{RTCR}					

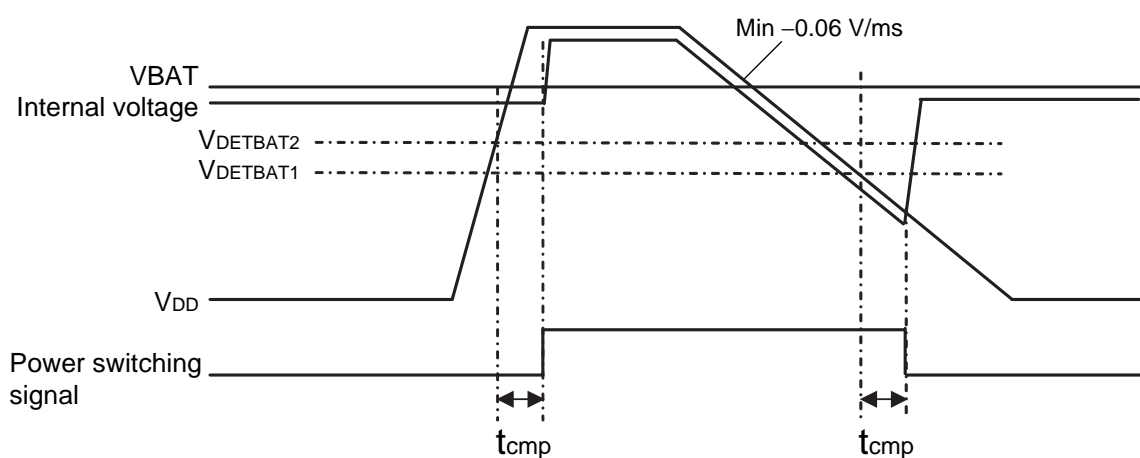
Caution Make sure to keep the internal reset state by the LVD circuit or an external reset until V_{DD} reaches the operating voltage range shown in 41.4 AC Characteristics.

41.7 Battery Backup Function

41.7.1 Power supply switching characteristics

($T_A = -40$ to $+85^\circ\text{C}$, $V_{SS} = 0$ V)

Parameter	Symbol	Conditions	MIN.	TYP.	MAX.	Unit
Power swiching detection voltage	$V_{DET\text{BAT}1}$	$V_{DD} \rightarrow V_{BAT}$ $V_{BAT} \leq 3.6$ V	2.09	2.18	2.26	V
	$V_{DET\text{BAT}2}$	$V_{BAT} \rightarrow V_{DD}$ $V_{BAT} \leq 3.6$ V	2.19	2.28	2.36	V
V_{DD} fall slope	SV_{DDF}		-0.06			V/ms
Response time of power switch detector	t_{cmp}	$V_{BAT} \leq 3.6$ V			500	μs

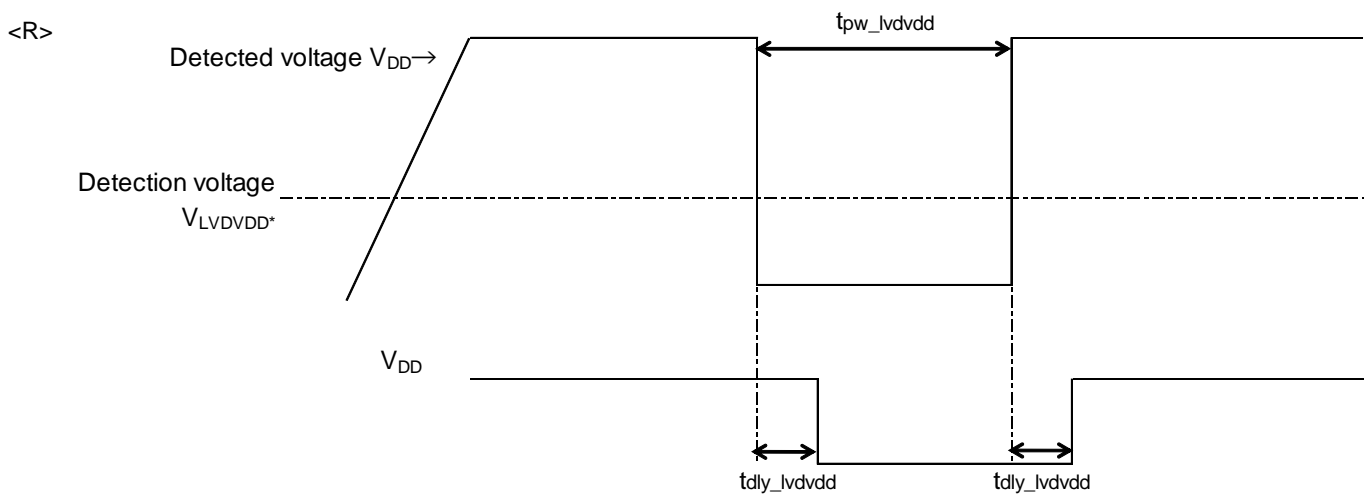


41.7.2 V_{DD} pin voltage detection characteristics

(T_A = -40 to +85°C, 1.9 V ≤ V_{DD}^{Note} ≤ 5.5 V, V_{SS} = 0 V)

Parameter	Symbol	LVDVDD[2:0]	Conditions	MIN.	TYP.	MAX.	Unit
Detection voltage	V _{LVDVDD0}	000	Rising	2.40	2.53	2.65	V
			Falling	2.33	2.46	2.58	V
	V _{LVDVDD1}	001	Rising	2.60	2.74	2.86	V
			Falling	2.53	2.67	2.79	V
	V _{LVDVDD2}	010	Rising	2.79	2.94	3.07	V
			Falling	2.73	2.87	2.99	V
	V _{LVDVDD3}	011	Rising	3.00	3.15	3.28	V
			Falling	2.93	3.08	3.21	V
V _{LVDVDD4}	100	Rising	3.30	3.46	3.60	V	
		Falling	3.23	3.39	3.52	V	
V _{LVDVDD5}	101	Rising	3.59	3.77	3.91	V	
		Falling	3.53	3.70	3.84	V	
Minimum pulse width	t _{pw_lvdvdd}	—	—	300			μs
Detection delay time	t _{dly_lvdvdd}	—	—			300	μs

Note Either V_{DD} or V_{BAT} is selected by the battery backup function.

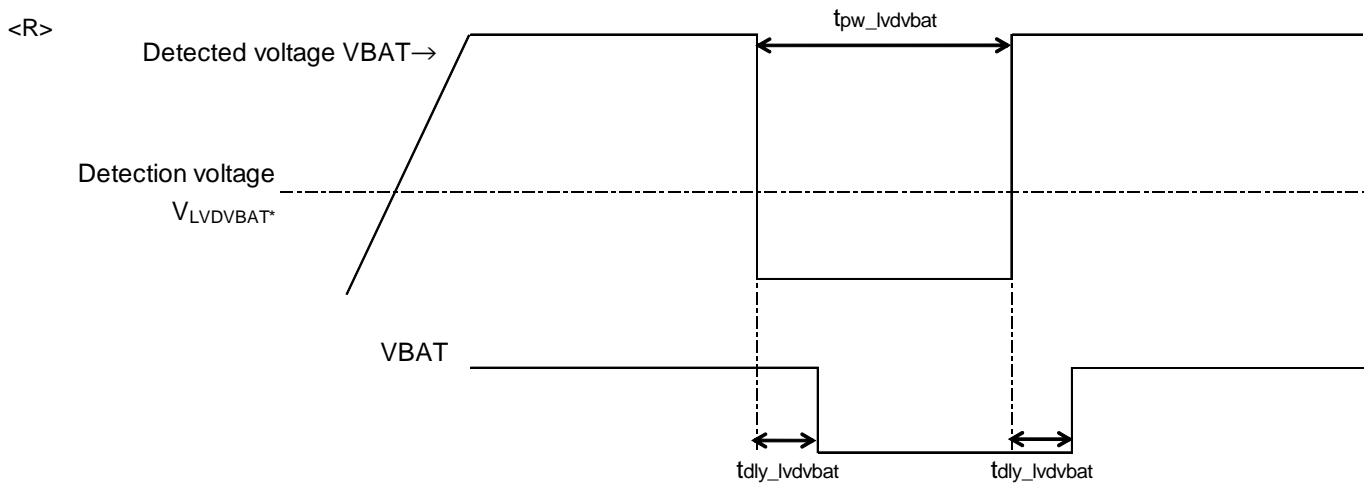


41.7.3 VBAT pin voltage detection characteristics

($T_A = -40$ to $+85^\circ\text{C}$, $1.9\text{ V} \leq V_{DD}^{\text{Note}} \leq 5.5\text{ V}$, $V_{SS} = 0\text{ V}$)

Parameter	Symbol	LVDVDD[2:0]	Conditions	MIN.	TYP.	MAX.	Unit
Detection voltage	VLVDVBAT0	000	Rising	1.99	2.11	2.22	V
			Falling	1.94	2.05	2.16	V
	VLVDVBAT1	001	Rising	2.09	2.21	2.32	V
			Falling	2.03	2.15	2.26	V
	VLVDVBAT2	010	Rising	2.20	2.32	2.43	V
			Falling	2.14	2.26	2.37	V
	VLVDVBAT3	011	Rising	2.29	2.42	2.53	V
			Falling	2.23	2.36	2.47	V
	VLVDVBAT4	100	Rising	2.38	2.52	2.64	V
			Falling	2.33	2.46	2.58	V
	VLVDVBAT5	101	Rising	2.48	2.62	2.74	V
			Falling	2.42	2.56	2.68	V
VLVDVBAT6	110	Rising	2.59	2.73	2.86	V	
		Falling	2.53	2.67	2.79	V	
Minimum pulse width	$t_{pw_lvdvbat}$	–	–	300			μs
Detection delay time	$t_{dly_lvdvbat}$	–	–			300	μs

Note Either V_{DD} or VBAT is selected by the battery backup function.

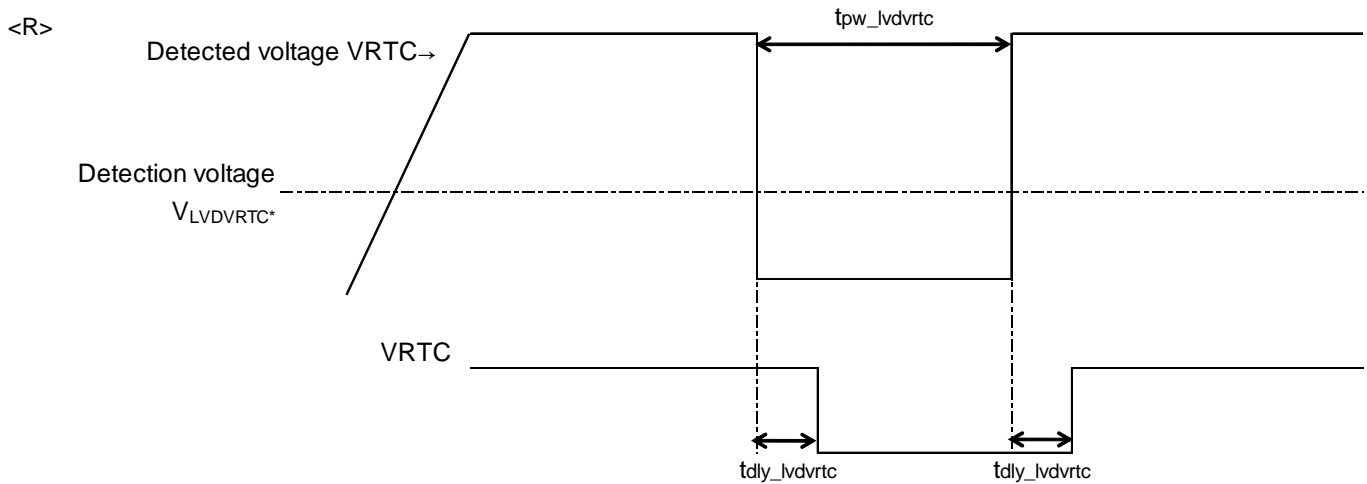


41.7.4 V_{RTC} pin voltage detection characteristics

(T_A = -40 to +85°C, 1.9 V ≤ V_{DD}^{Note} ≤ 5.5 V, V_{SS} = 0 V)

Parameter	Symbol	LVDVDD[2:0]	Conditions	MIN.	TYP.	MAX.	Unit
Detection voltage	V _{LVDVRTC0}	000	Rising	2.16	2.22	2.28	V
			Falling	2.10	2.16	2.22	V
	V _{LVDVRTC1}	001	Rising	2.36	2.43	2.50	V
			Falling	2.30	2.37	2.44	V
	V _{LVDVRTC2}	010	Rising	2.56	2.63	2.70	V
			Falling	2.50	2.57	2.64	V
V _{LVDVRTC3}	011	Rising	2.76	2.84	2.92	V	
		Falling	2.70	2.78	2.86	V	
Minimum pulse width	t _{pw_lvdvrtc}	—	—	300			μs
Detection delay time	t _{dly_lvdvrtc}	—	—			300	μs

Note Either V_{DD} or V_{BAT} is selected by the battery backup function.

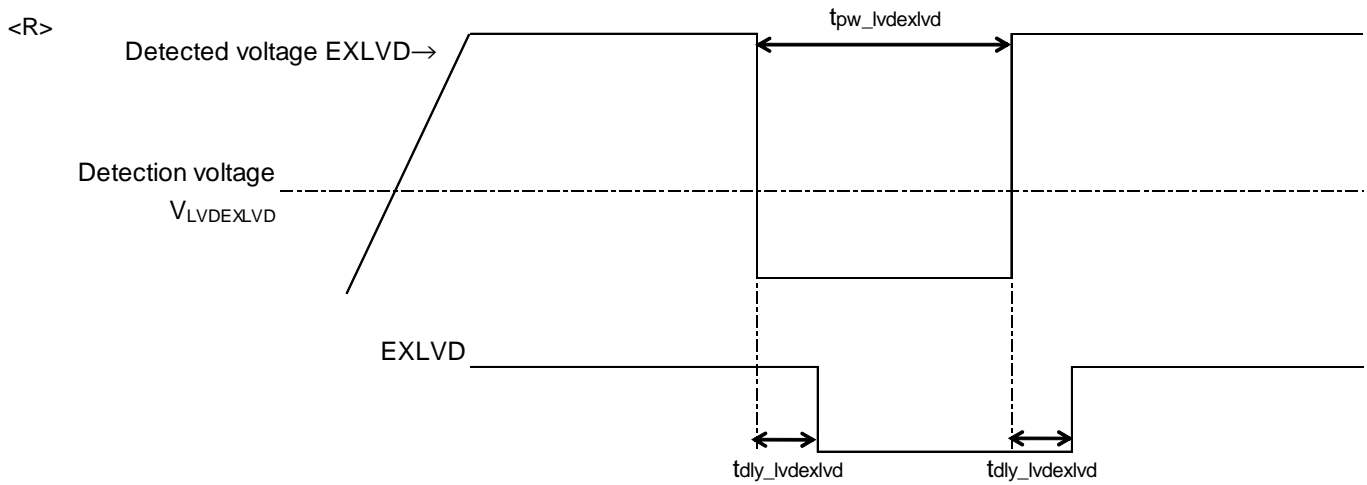


41.7.5 EXLVD pin voltage detection

($T_A = -40$ to $+85^\circ\text{C}$, $1.9\text{ V} \leq V_{DD}^{\text{Note}} \leq 5.5\text{ V}$, $V_{SS} = 0\text{ V}$)

Parameter	Symbol	Conditions	MIN.	TYP.	MAX.	Unit
Detection voltage	$V_{LVDEXLVD}$	Rising	1.25	1.33	1.41	V
		Falling	1.20	1.28	1.36	V
Minimum pulse width	$t_{pw_lvdexlvd}$	–	300			μs
Detection delay time	$t_{dly_lvdexlvd}$	–			300	μs
Pin resistor	r_{in_extlvd}	LVDEXLVDEN = 1		34		$\text{M}\Omega$

Note Either V_{DD} or V_{BAT} is selected by the battery backup function.



41.8 LCD Characteristics

41.8.1 Resistance division method

(1) Static display mode

($T_A = -40$ to $+85^\circ\text{C}$, $V_{L4} (\text{MIN.}) \leq EV_{DD0} = EV_{DD1} \leq V_{DD}^{\text{Note}} \leq 5.5 \text{ V}$, $V_{SS} = EV_{SS0} = EV_{SS1} = 0 \text{ V}$)

Parameter	Symbol	Conditions	MIN.	TYP.	MAX.	Unit
LCD drive voltage	V_{L4}		2.0		V_{DD}^{Note}	V

Note Either V_{DD} or V_{BAT} is selected by the battery backup function.

(2) 1/2 bias method, 1/4 bias method

($T_A = -40$ to $+85^\circ\text{C}$, $V_{L4} (\text{MIN.}) \leq EV_{DD0} = EV_{DD1} \leq V_{DD}^{\text{Note}} \leq 5.5 \text{ V}$, $V_{SS} = EV_{SS0} = EV_{SS1} = 0 \text{ V}$)

Parameter	Symbol	Conditions	MIN.	TYP.	MAX.	Unit
LCD drive voltage	V_{L4}		2.7		V_{DD}^{Note}	V

Note Either V_{DD} or V_{BAT} is selected by the battery backup function.

(3) 1/3 bias method

($T_A = -40$ to $+85^\circ\text{C}$, $V_{L4} (\text{MIN.}) \leq EV_{DD0} = EV_{DD1} \leq V_{DD}^{\text{Note}} \leq 5.5 \text{ V}$, $V_{SS} = EV_{SS0} = EV_{SS1} = 0 \text{ V}$)

Parameter	Symbol	Conditions	MIN.	TYP.	MAX.	Unit
LCD drive voltage	V_{L4}		2.5		V_{DD}^{Note}	V

Note Either V_{DD} or V_{BAT} is selected by the battery backup function.

41.8.2 Internal voltage boosting method

(1) 1/3 bias method

(TA = -40 to +85°C, 1.7 V ≤ EVDD0 = EVDD1 ≤ VDD^{Note 4} ≤ 5.5 V, VSS = EVSS0 = EVSS1 = 0 V)

Parameter	Symbol	Conditions	MIN.	TYP.	MAX.	Unit	
LCD output voltage variation range	VL1	C1 to C4 ^{Note 1} = 0.47 μF ^{Note 2}	VLCD = 04H	0.90	1.00	1.08	V
			VLCD = 05H	0.95	1.05	1.13	V
			VLCD = 06H	1.00	1.10	1.18	V
			VLCD = 07H	1.05	1.15	1.23	V
			VLCD = 08H	1.10	1.20	1.28	V
			VLCD = 09H	1.15	1.25	1.33	V
			VLCD = 0AH	1.20	1.30	1.38	V
			VLCD = 0BH	1.25	1.35	1.43	V
			VLCD = 0CH	1.30	1.40	1.48	V
			VLCD = 0DH	1.35	1.45	1.53	V
			VLCD = 0EH	1.40	1.50	1.58	V
			VLCD = 0FH	1.45	1.55	1.63	V
			VLCD = 10H	1.50	1.60	1.68	V
			VLCD = 11H	1.55	1.65	1.73	V
VLCD = 12H	1.60	1.70	1.78	V			
VLCD = 13H	1.65	1.75	1.83	V			
Doubler output voltage	VL2	C1 to C4 ^{Note 1} = 0.47 μF	2 VL1-0.10	2 VL1	2 VL1	V	
Tripler output voltage	VL4	C1 to C4 ^{Note 1} = 0.47 μF	3 VL1-0.15	3 VL1	3 VL1	V	
Reference voltage setup time ^{Note 2}	t _{VWAIT1}		5			ms	
Voltage boost wait time ^{Note 3}	t _{VWAIT2}	C1 to C4 ^{Note 1} = 0.47 μF	500			ms	

Notes 1. This is a capacitor that is connected between voltage pins used to drive the LCD.

C1: A capacitor connected between CAPH and CAPL

C2: A capacitor connected between VL1 and GND

C3: A capacitor connected between VL2 and GND

C4: A capacitor connected between VL4 and GND

C1 = C2 = C3 = C4 = 0.47 μF ± 30 %

- This is the time required to wait from when the reference voltage is specified by using the VLCD register (or when the internal voltage boosting method is selected (by setting the MDSET1 and MDSET0 bits of the LCDM0 register to 01B) if the default value reference voltage is used) until voltage boosting starts (VLCON = 1).
- This is the wait time from when voltage boosting is started (VLCON = 1) until display is enabled (LCDON = 1).
- Either VDD or VBAT is selected by the battery backup function.

(2) 1/4 bias method**($T_A = -40$ to $+85^\circ\text{C}$, $1.7\text{ V} \leq \text{EVDD0} = \text{EVDD1} \leq \text{VDD}^{\text{Note 4}} \leq 5.5\text{ V}$, $\text{VSS} = \text{EVSS0} = \text{EVSS1} = 0\text{ V}$)**

Parameter	Symbol	Conditions	MIN.	TYP.	MAX.	Unit	
LCD output voltage variation range	VL1	C1 to C5 ^{Note 1} = 0.47 μF ^{Note 2}	VLCD = 04H	0.90	1.00	1.08	V
			VLCD = 05H	0.95	1.05	1.13	V
			VLCD = 06H	1.00	1.10	1.18	V
			VLCD = 07H	1.05	1.15	1.23	V
			VLCD = 08H	1.10	1.20	1.28	V
			VLCD = 09H	1.15	1.25	1.33	V
			VLCD = 0AH	1.20	1.30	1.38	V
Doubler output voltage	VL2	C1 to C5 ^{Note 1} = 0.47 μF	2 VL1-0.08	2 VL1	2 VL1	V	
Tripler output voltage	VL3	C1 to C5 ^{Note 1} = 0.47 μF	3 VL1-0.12	3 VL1	3 VL1	V	
Quadruply output voltage	VL4	C1 to C5 ^{Note 1} = 0.47 μF	4 VL1-0.16	4 VL1	4 VL1	V	
Reference voltage setup time ^{Note 2}	t _{VWAIT1}		5			ms	
Voltage boost wait time ^{Note 3}	t _{VWAIT2}	C1 to C5 ^{Note 1} = 0.47 μF	500			ms	

Notes 1. This is a capacitor that is connected between voltage pins used to drive the LCD.

C1: A capacitor connected between CAPH and CAPL

C2: A capacitor connected between VL1 and GND

C3: A capacitor connected between VL2 and GND

C4: A capacitor connected between VL3 and GND

C5: A capacitor connected between VL4 and GND

C1 = C2 = C3 = C4 = C5 = 0.47 $\mu\text{F} \pm 30\%$

- This is the time required to wait from when the reference voltage is specified by using the VLCD register (or when the internal voltage boosting method is selected (by setting the MDSET1 and MDSET0 bits of the LCDM0 register to 01B) if the default value reference voltage is used) until voltage boosting starts (VLCON = 1).
- This is the wait time from when voltage boosting is started (VLCON = 1) until display is enabled (LCDON = 1).
- Either VDD or VBAT is selected by the battery backup function.

41.8.3 Capacitor split method

(1) 1/3 bias method

($T_A = -40$ to $+85^\circ\text{C}$, $2.2\text{ V} \leq \text{EVDD0} = \text{EVDD1} \leq \text{VDD}^{\text{Note 3}} \leq 5.5\text{ V}$, $\text{VSS} = \text{EVSS0} = \text{EVSS1} = 0\text{ V}$)

Parameter	Symbol	Conditions	MIN.	TYP.	MAX.	Unit
V_{L4} voltage	V_{L4}	C1 to C4 = $0.47\ \mu\text{F}^{\text{Note 2}}$		$V_{\text{DD}}^{\text{Note 3}}$		V
V_{L2} voltage	V_{L2}	C1 to C4 = $0.47\ \mu\text{F}^{\text{Note 2}}$	$2/3 V_{L4} - 0.1$	$2/3 V_{L4}$	$2/3 V_{L4} + 0.1$	V
V_{L1} voltage	V_{L1}	C1 to C4 = $0.47\ \mu\text{F}^{\text{Note 2}}$	$1/3 V_{L4} - 0.1$	$1/3 V_{L4}$	$1/3 V_{L4} + 0.1$	V
Capacitor split wait time ^{Note 1}	t_{VWAIT}		100			ms

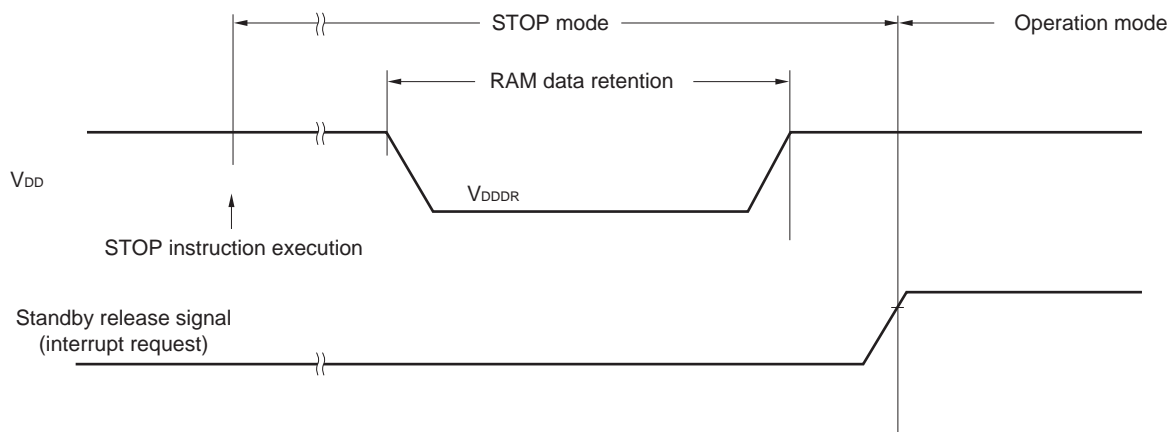
- Notes**
- This is the wait time from when voltage bucking is started ($\text{VLCON} = 1$) until display is enabled ($\text{LCDON} = 1$).
 - This is a capacitor that is connected between voltage pins used to drive the LCD.
 C1: A capacitor connected between CAPH and CAPL
 C2: A capacitor connected between V_{L1} and GND
 C3: A capacitor connected between V_{L2} and GND
 C4: A capacitor connected between V_{L4} and GND
 $C1 = C2 = C3 = C4 = 0.47\ \mu\text{F} \pm 30\%$
 - Either V_{DD} or V_{BAT} is selected by the battery backup function.

<R> 41.9 RAM Data Retention Characteristics

(T_A = -40 to +85°C)

Parameter	Symbol	Conditions	MIN.	TYP.	MAX.	Unit
Data retention supply voltage	V _{DDDR}		1.46 ^{Note}		5.5	V

Note The value depends on the POR detection voltage. When the voltage drops, the RAM data is retained before a POR reset is effected, but RAM data is not retained when a POR reset is effected.



41.10 Flash Memory Programming Characteristics

(T_A = -40 to +85°C, 1.9 V ≤ V_{DD}^{Note 4} ≤ 5.5 V, V_{SS} = 0 V)

Parameter	Symbol	Conditions	MIN.	TYP.	MAX.	Unit
System clock frequency	f _{CLK}	1.9 V ≤ V _{DD} ^{Note 4} ≤ 5.5 V	1		24	MHz
Number of code flash rewrites ^{Notes 1, 2, 3}	C _{erwr}	Retained for 20 years T _A = 85°C	1,000			Times
Number of data flash rewrites ^{Notes 1, 2, 3}		Retained for 1 year T _A = 25°C		1,000,000		
		Retained for 5 years T _A = 85°C	100,000			
		Retained for 20 years T _A = 85°C	10,000			

- Notes**
- 1 erase + 1 write after the erase is regarded as 1 rewrite. The retaining years are until next rewrite after the rewrite.
 2. When using flash memory programmer and Renesas Electronics self programming library
 3. This characteristic indicates the flash memory characteristic and based on Renesas Electronics reliability test.
 4. Either V_{DD} or V_{BAT} is selected by the battery backup function.

41.11 Dedicated Flash Memory Programmer Communication (UART)

(T_A = -40 to +85°C, 1.9 V ≤ EV_{DD0} = EV_{DD1} ≤ V_{DD}^{Note} ≤ 5.5 V, V_{SS} = EV_{SS0} = EV_{SS1} = 0 V)

Parameter	Symbol	Conditions	MIN.	TYP.	MAX.	Unit
Transfer rate		During serial programming	115,200		1,000,000	bps

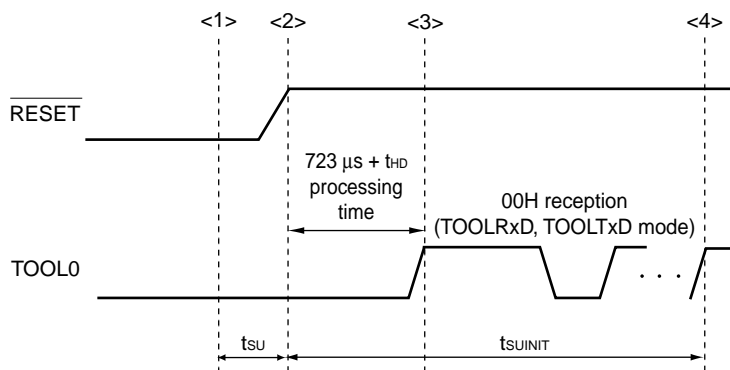
Note Either V_{DD} or V_{BAT} is selected by the battery backup function.

41.12 Timing Specs for Switching Flash Memory Programming Modes

($T_A = -40$ to $+85^\circ\text{C}$, $1.9\text{ V} \leq \text{EVDD0} = \text{EVDD1} \leq \text{VDD}^{\text{Note}} \leq 5.5\text{ V}$, $\text{VSS} = \text{EVSS0} = \text{EVSS1} = 0\text{ V}$)

Parameter	Symbol	Conditions	MIN.	TYP.	MAX.	Unit
Time to complete the communication for the initial setting after the external reset is released	t_{SUNIT}	POR and LVD reset must be released before the external reset is released.			100	ms
Time to release the external reset after the TOOL0 pin is set to the low level	t_{SU}	POR and LVD reset must be released before the external reset is released.	10			μs
Time to hold the TOOL0 pin at the low level after the external reset is released (excluding the processing time of the firmware to control the flash memory)	t_{HD}	POR and LVD reset must be released before the external reset is released.	1			ms

Note Either V_{DD} or V_{BAT} is selected by the battery backup function.



- <1> The low level is input to the TOOL0 pin.
- <2> The external reset is released (POR and LVD reset must be released before the external reset is released.).
- <3> The TOOL0 pin is set to the high level.
- <4> Setting of the flash memory programming mode by UART reception and complete the baud rate setting.

Remark t_{SUNIT} : The segment shows that it is necessary to finish specifying the initial communication settings within 100 ms from when the resets end.

t_{SU} : Time to release the external reset after the TOOL0 pin is set to the low level.

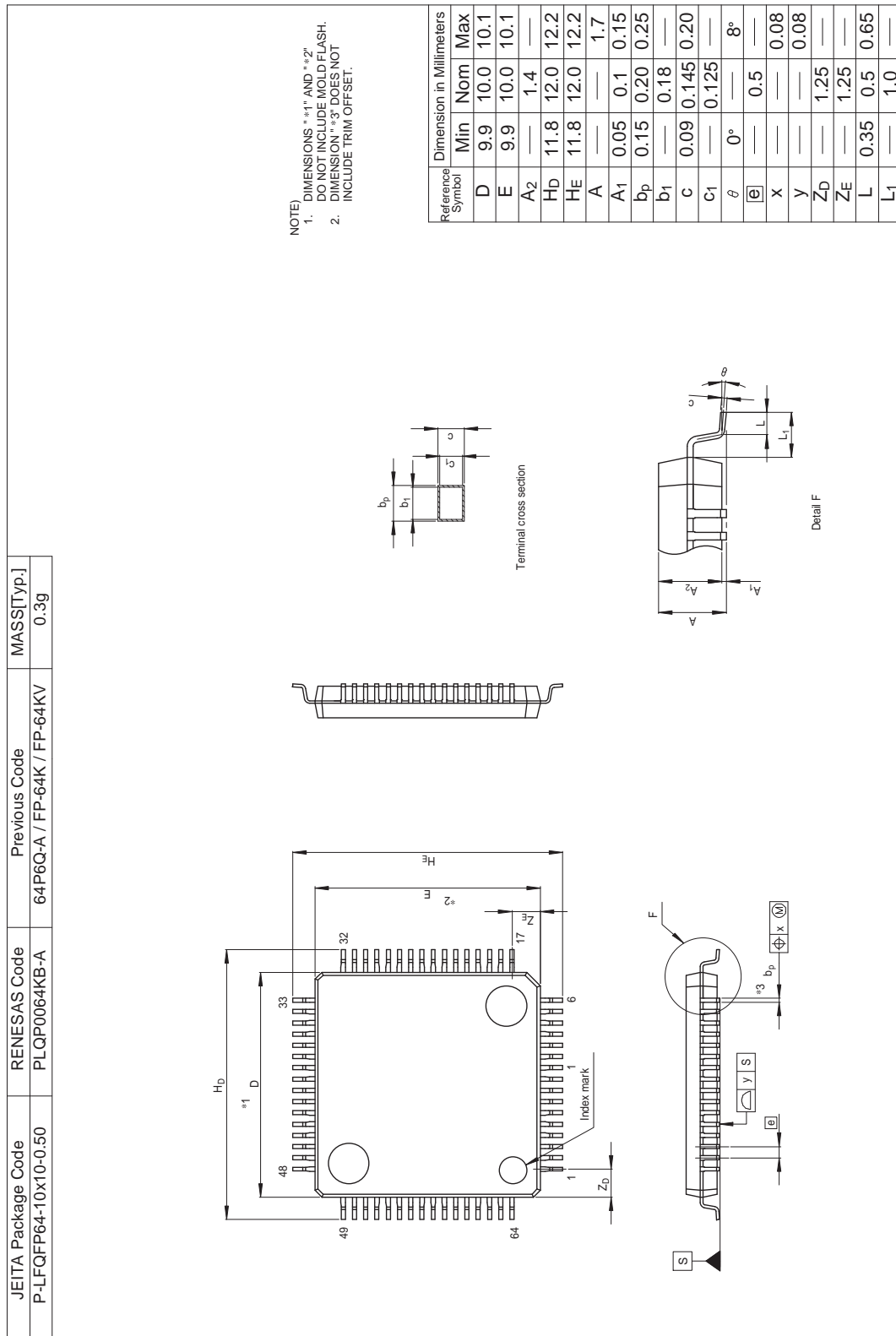
t_{HD} : Time to hold the TOOL0 pin at the low level after the external reset is released (excluding the processing time of the firmware to control the flash memory)

Note Either V_{DD} or V_{BAT} is selected by the battery backup function.

CHAPTER 42 PACKAGE DRAWINGS

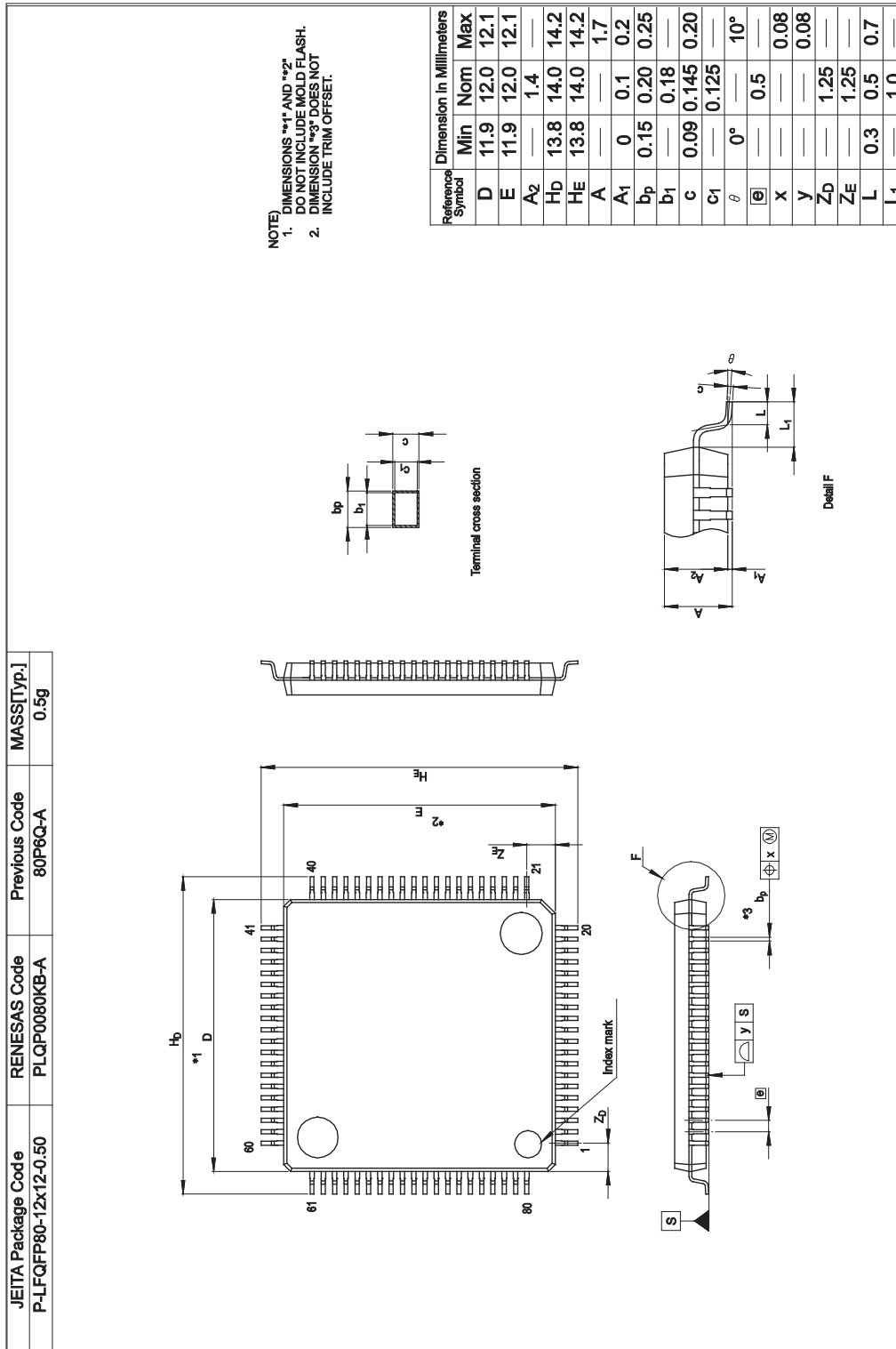
42.1 64-pin Products

R5F10NLEDFB, R5F10NLGDFB



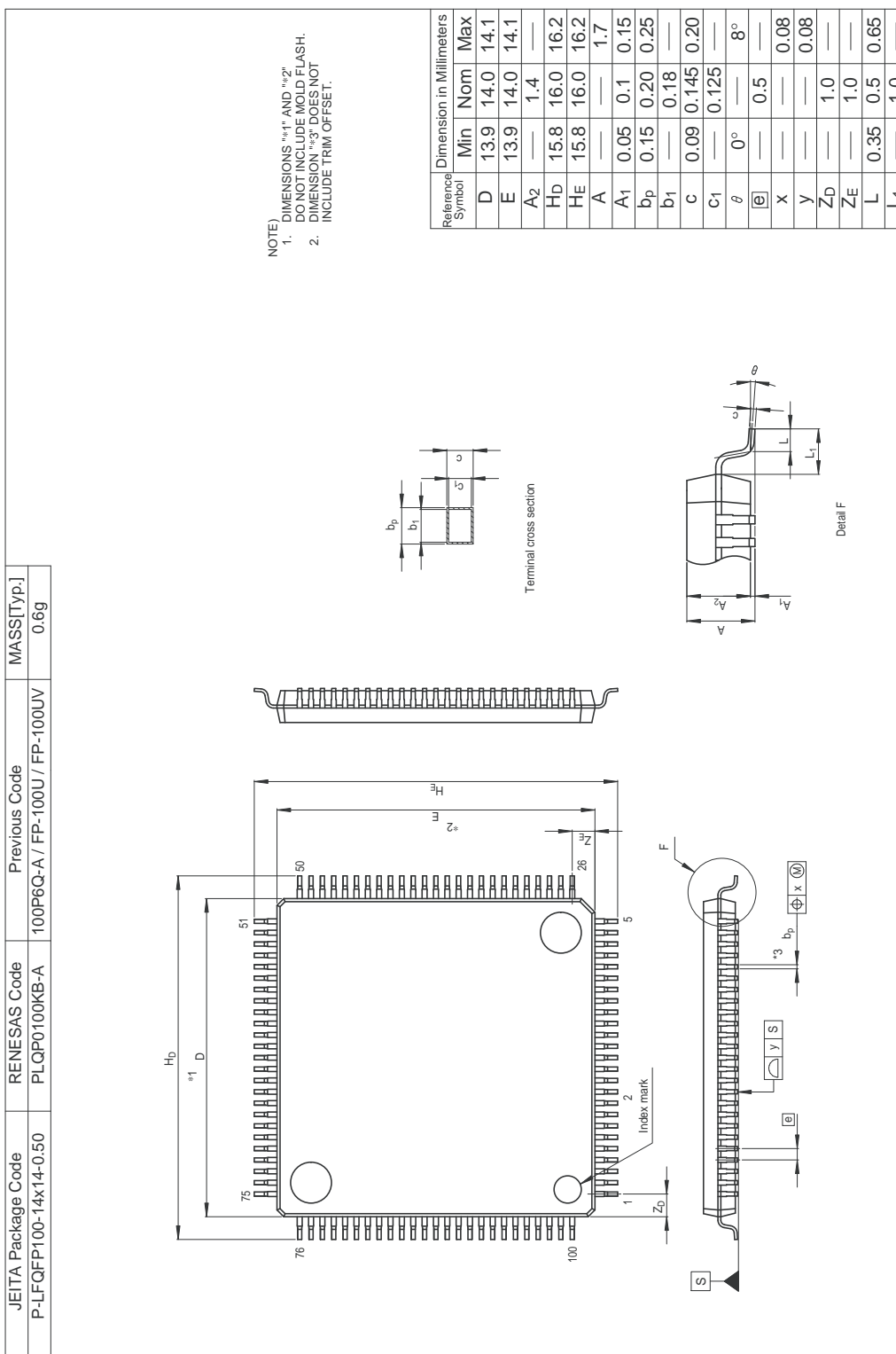
42.2 80-pin Products

R5F10NMEDFB, R5F10NMGDFB, R5F10NMJDFB



42.3 100-pin Products

<R> R5F10NPJDFOB, R5F10NPGDFB



Revision History	RL78/I1C User's Manual: Hardware
------------------	----------------------------------

Rev.	Issue date	Description	
		Page	Points
0.50	Aug 31, 2015	–	Newly created.
1.00	May 27, 2016	Throughout	Addition of product (R5F10NPG)
		p.1, 4	Modification of 1.1 Features , addition of Note 1 , and modification of Note
		p.5	Modification of 1.2 List of Part Numbers
		p.6 to 8	Addition of "RL78I1C (Top View)" to each figure in 1.3 Pin Configuration (Top View)
		p.9	Modification of 1.4 Pin Identification
		p.13 to 15	Modification of 1.6 Outline of Functions
		p.18	Modification of 2.1.1 64-pin products
		p.20	Modification of 2.1.2 80-pin products
		p.23	Modification of 2.1.3 100-pin products
		p.25	Addition of KR0 to KR7 of function to 2.2.1 With functions for each product
		p.29	Modification of Remarks in 2.2.2 Description of Functions
		p.41	Addition of Caution to Figure 2-11. Pin Block Diagram for Pin Type 7-5-10
		p.43	Addition of Cautions to Figure 2-13. Pin Block Diagram for Pin Type 8-5-10
		p.44	Addition of Caution and Remarks to Figure 2-14. Pin Block Diagram for Pin Type 12-1-1
		p.45	Addition of Caution and Remarks to Figure 2-15. Pin Block Diagram for Pin Type 12-1-2
		p.47	Modification of Note of Figure 3-1. Memory Map (R5F10NLE, R5F10NME)
		p.48	Modification of title of Figure 3-2. Memory Map (R5F10NLG, R5F10NMG, R5F10NPG) and Note in it
		p.49	Modification of Note of Figure 3-3. Memory Map (R5F10NMJ, R5F10NPJ)
		p.51	Modification of Remark of Table 3-1. Correspondence Between Address Values and Block Numbers in Flash Memory
		p.53	Modification of Table 3-2. Internal ROM Capacity
		p.54	Modification of Table 3-3. Vector Table
		p.56	Modification of 3.1.2 Mirror area
		p.58	Modification of Table 3-4. Internal RAM Capacity and Caution in it
		p.61	Modification of Cautions of Figure 3-8. Format of Stack Pointer
		p.65, 66	Modification of Table 3-5. SFR List and addition of Note to it
		p.70 to 73, 76 to 80	Modification of Table 3-6. Extended SFR (2nd SFR) List and addition of Notes to it
		p.110	Modification of Figure 4-5. Format of Port Input Mode Register
		p.115	Modification of Figure 4-9. Format of LCD port function registers 0 to 5 (PFSEG0 to PFSEG5) and Note in it
		p.138	Modification of Table 5-2. Features of Each Flash Operation Mode and Note in it
		p.142	Modification of 5.3 Initial Setting of Flash Operation Modes
		p.143	Modification Figure 5-6. State Transitions between Flash Operation Modes and addition of Note 7 to it
p.144	Modification of 5.5.1 Details of HS (high-speed main) mode		
p.149	Modification of 6.1 Functions of Clock Generator and Note in it		
p.151	Modification of Note of Table 6-1. Configuration of Clock Generator		
p.152	Modification of Figure 6-1. Block Diagram of Clock Generator		
p.155	Modification of Figure 6-3. Format of System clock control register (CKC) and Note 2 in it		

Rev.	Issue date	Description	
		Page	Points
1.00	May 27, 2016	p.157	Modification of Note and Caution of Figure 6-4. Format of Clock operation status control register (CSC)
		p.171	Modification of 6.3.10 Subsystem clock supply option control register (OSMC)
		p.177	Modification of Figure 6-18. Format of Main clock control register (MCKC) , addition of Note , and modification of Remark
		p.189	Addition of Caution to 6.6.2 Example of setting X1 oscillation clock
		p.192	Modification of Note of Figure 6-24. CPU Clock Status Transition Diagram
		p.198 to 202	Modification of Table 6-4. Changing CPU Clock
		p.206	Modification of 6.6.8 Conditions before clock oscillation is stopped
		p.206	Modification of Table 6-9. Conditions Before the Clock Oscillation Is Stopped and Flag Settings
		p.208	Modification of Figure 7-1. Block Diagram of High-speed On-chip Oscillator Clock Frequency Correction Function
		p.210	Modification of Table 7-3. High-Speed On-Chip Oscillator Input Frequency and Correction Cycle
		p.235	Modification of Figure 8-15. Format of Timer Mode Register mn (TMRmn)
		p.270	Deletion of Caution from Figure 8-41. TO0n Pin Statuses by Collective Manipulation of TO0n Bit
		p.298	Modification of Caution of 8.9.1 Operation as one-shot pulse output function
		p.321	Modification of Table 9-1. RTC Specifications
		p.322	Modification of Figure 9-1. Block Diagram of RTC
		p.324	Modification of 9.2 Register Descriptions
		p.324	Deletion of Caution 2 of Figure 9-2. Format of Peripheral enable register 2 (PER2)
		p.331	Addition of explanation to 9.2.9 Year Counter (RYRCNT)
		p.331	Modification of Figure 9-14. Format of Year Counter (RYRCNT)
		p.338	Addition of explanation to (1) In calendar count mode in 9.2.16 Year Alarm Register (RYRAR)/Binary Counter 2 Alarm Enable Register (BCNT2AER)
		p.338	Addition of explanation to (2) In binary count mode in 9.2.16 Year Alarm Register (RYRAR)/Binary Counter 2 Alarm Enable Register (BCNT2AER)
		p.340	Addition of Caution to Figure 9-31. Format of RTC Control Register 1 (RCR1)
		p.342	Modification of Figure 9-32. Format of RTC Control Register 2 (RCR2) (In calendar count mode) and addition of Caution
		p.344	Addition of Caution to Figure 9-33. Format of RTC Control Register 2 (RCR2) (In binary count mode)
		p.345	Addition of Caution to Figure 9-34. Format of RTC Control Register 3 (RCR3)
		p.346	Modification of Caution of Figure 9-35. Format of RTC control register 4 (RCR4)
		p.350	Modification of Figure 9-39. Format of Timer Capture Control Register y (RTCCRy) (y = 0 to 2)
		p.361	Modification of 9.2.34 RTC power-on-reset status register (RTPORSR)
		p.361	Modification of Figure 9-52. Format of RTC power-on-reset status register (RTPORSR)
		p.362	Addition of Caution to Figure 9-53. Format of Time Capture Event Input Noise Filter Enable Register (RTCICNFEN)

Rev.	Issue date	Description	
		Page	Points
1.00	May 27, 2016	p.363	Addition of Remark to 9.3.1 Outline of Initial Settings of Registers after Power On
		p.365	Modification of Figure 9-56. Clock and Count Mode Setting Procedure
		p.368	Modification of Figure 9-59. Reading Time
		p.376	Modification of Note in 9.5.1 Interrupt Handling and Event Linking
		p.378	Modification of 9.6.4 Transitions to Low Power Consumption Modes after Setting Registers
		p.378	Modification of 9.6.5 Notes When Writing to and Reading from Registers
		p.379	Addition of 9.6.8 Caution of shortwave detection function
		p.383	Modification of 10.3.2 Subsystem clock supply option control register (OSMC)
		p.388	Modification of Figure 10-10. Frequency Measurement Circuit Operation Timing
		p.393	Modification of Caution to Figure 11-5 Format of 12-bit interval timer control register (ITMC)
		p.416	Modification of 13.5 Cautions of clock output/buzzer output controller
		p.426	Modification of Figure 15-1. Block Diagram of A/D Converter
		p.431	Modification of Figure 15-3. Format of Peripheral reset control Register 0 (PRR0)
		p.434	Modification of Figure 15-5. Timing Chart When A/D Voltage Comparator Is Used
		p.441	Modification of Figure 15-7. Format of A/D Converter Mode Register 1 (ADM1) and Caution 3 in it
		p.469	Modification of Caution and Remark in 15.8 SNOOZE Mode Function
		p.481	Modification of Figure 16-4. Format of Temperature sensor control test register (TMPCTL)
		p.481	Modification of Figure 16-5. Format of Peripheral reset control register 0 (PRR0)
		p.484	Addition of Caution to 17.1 Functions of 24-bit $\Delta\Sigma$ A/D Converter
		p.523	Modification of Figure 18-1. Block Diagram of Serial Array Unit 0
		p.524	Modification of Figure 18-1. Block Diagram of Serial Array Unit 1
		p.525	Addition of Note of 18.2.1 Shift register
		p.535	Modification of Notes and Cautions of Figure 18-9. Format of Serial Data Register mn (SDRmn)
		p.543	Modification of Figure 18-16. Format of Serial Output Register m (SOM) and Caution in it
		p.545	Modification of Figure 18-18. Examples of Reverse Transmit Data
		p.548	Modification of Note of Figure 18-22. Format of Noise Filter Enable Register 0 (NFEN0)
		p.553	Modification of Figure 18-25. Each Register Setting When Stopping the Operation by Channels and deletion of Note
		p.557, 558	Modification of Figure 18-26. Example of Contents of Registers for Master Transmission of 3-Wire Serial I/O (CSI00, CSI10, CSI30) and deletion of Note
		p.567, 568	Modification of Figure 18-34. Example of Contents of Registers for Master Reception of 3-Wire Serial I/O (CSI00, CSI10, CSI30)
		p.576, 577	Modification of Figure 18-42. Example of Contents of Registers for Master Transmission/Reception of 3-Wire Serial I/O (CSI00, CSI10, CSI30)
p.586, 587	Modification of Figure 18-50. Example of Contents of Registers for Slave Transmission of 3-Wire Serial I/O (CSI00, CSI10, CSI30) and deletion of Note		

Rev.	Issue date	Description	
		Page	Points
1.00	May 27, 2016	p.596, 597	Modification of Figure 18-58. Example of Contents of Registers for Slave Reception of 3-Wire Serial I/O (CSI00, CSI10, CSI30)
		p.603, 604	Modification of Figure 18-64. Example of Contents of Registers for Slave Transmission/Reception of 3-Wire Serial I/O (CSI00, CSI10, CSI30)
		p.612	Modification of 18.5.7 SNOOZE mode function and Caution
		p.612	Modification of Figure 18-72. Timing Chart of SNOOZE Mode Operation (Once Startup) (Type 1: DAPm0 = 0, CKPm0 = 0)
		p.613	Modification of Figure 18-73. Flowchart of SNOOZE Mode Operation (Once Startup)
		p.614	Modification of Figure 18-74. Timing Chart of SNOOZE Mode Operation (Continuous Startup) (Type 1: DAPm0 = 0, CKPm0 = 0)
		p.615	Modification of Figure 18-75. Flowchart of SNOOZE Mode Operation (Continuous Startup)
		p.622, 623	Modification of Figure 18-77. Example of Contents of Registers for UART Transmission of UART (UART0 to UART3) and Notes
		p.632, 633	Modification of Figure 18-85. Example of Contents of Registers for UART Reception of UART (UART0 to UART3) and Notes , and deletion of Note
		p.638	Addition of Caution to 18.6.3 SNOOZE mode function
		p.640	Modification of Figure 18-91. Timing Chart of SNOOZE Mode Operation (EOCm1 = 0, SSECM = 0/1)
		p.641	Modification of Figure 18-92. Timing Chart of SNOOZE Mode Operation (EOCm1 = 1, SSECM = 0)
		p.642	Modification of Figure 18-93. Flowchart of SNOOZE Mode Operation (EOCm1 = 0, SSECM = 0/1 or EOCm1 = 1, SSECM = 0)
		p.643	Modification of Figure 18-94. Timing Chart of SNOOZE Mode Operation (EOCm1 = 1, SSECM = 1)
		p.644	Modification of Figure 18-95. Flowchart of SNOOZE Mode Operation (EOCm1 = 1, SSECM = 1)
		p.653	Modification of Figure 18-100. Flowchart for LIN Transmission
		p.655	Modification of Figure 18-101. Reception Operation of LIN
		p.662	Modification of Figure 18-104. Example of Contents of Registers for Address Field Transmission of Simplified I²C (IIC00, IIC10, IIC30) and deletion of Note
		p.672	Deletion of Note from Figure 18-111. Example of Contents of Registers for Data Reception of Simplified I²C (IIC00, IIC10, IIC30)
		p.699	Addition of explanation to 19.3.7 IICA low-level width setting register n (IICWLn)
p.775	Addition of explanation to Table 21-1. Number of LCD Display Function Pins of Each Product		
p.780	Modification of Figure 21-1. Block Diagram of LCD Controller/Driver		
p.785	Modification of Figure 21-3. Format of LCD Mode Register 1 (LCDM1)		
p.787	Modification of 21.3.3 Subsystem clock supply option control register (OSMC)		
p.792, 793	Modification of Figure 21-10. Format of LCD port function registers 0 to 5 (PFSEG0 to PFSEG5) and Note in it		

Rev.	Issue date	Description	
		Page	Points
1.00	May 27, 2016	p.802	Modification of 21.5.2 Blinking display (Alternately displaying A-pattern and B-pattern area data)
		p.802	Modification of Figure 21-14. Switching Operation from A-Pattern Display to Blinking Display
		p.802	Modification of Figure 21-15. Switching Operation from Blinking Display to A-Pattern Display
		p.841	Addition of explanation to CHAPTER 22 DATA TRANSFER CONTROLLER (DTC)
		p.845	Modification of Figure 22-2. Memory Map Example When DTCBAR Register Is Set to FBH (R5F10NPGDFB, R5F10NMGDFB, R5F10NLGDFB) and Cautions in it
		p.846	Figure 22-3. Control Data Allocation and addition of Remark
		p.847	Addition of Table 22-4. Start Address of Control Data
		p.848	Addition of Figure 22-4. Start Address of Control Data and Vector Table
		p.850	Modification of Figure 22-5. Format of Peripheral Enable Register 1 (PER1)
		p.854	Modification of 22.3.11 DTC activation enable register i (DTCENi) (i = 0 to 4)
		p.859	Modification of (1) Example 1 of using normal mode: Consecutively capturing A/D conversion results in 22.4.2 Normal mode
		p.859	Modification of Figure 22-16. Example 1 of Using Normal Mode: Consecutively Capturing A/D Conversion Results
		p.866	Modification of 22.5.2 Allocation of DTC control data area and DTC vector table area
		p.869	Modification of Notes in 22.5.8 Operation in standby mode status
		p.873	Modification of Table 23-2. Correspondence Between ELSELRn (n = 00 to 21) Registers and Peripheral Functions
		p.875	Modification of Figure 23-3. Format of Timer Input Select Register 0 (TIS0)
		p.876	Modification of Figure 23-4. Format of A/D Converter Mode Register 1 (ADM1)
		p.880, 881, 883	Modification of Table 24-1. Interrupt Source List and Notes
		p.884	Modification of Figure 24-1. Basic Configuration of Interrupt Function and Remark in it
		p.886	Modification of Table 24-2. Flags Corresponding to Interrupt Request Sources
		p.888	Modification of Figure 24-2. Format of Interrupt Request Flag Registers (IF0L, IF0H, IF1L, IF1H, IF2L, IF2H, IF3L)
		p.890	Modification of Figure 24-3. Format of Interrupt Mask Flag Registers (MK0L, MK0H, MK1L, MK1H, MK2L, MK2H, MK3L)
		p.891	Modification of 24.3.3 Priority specification flag registers (PR00L, PR00H, PR01L, PR01H, PR02L, PR02H, PR03L, PR10L, PR10H, PR11L, PR11H, PR12L, PR12H, PR13L)
p.891, 892	Modification of Figure 24-4. Format of Priority Specification Flag Registers (PR00L, PR00H, PR01L, PR01H, PR02L, PR02H, PR03L, PR10L, PR10H, PR11L, PR11H, PR12L, PR12H, PR13L)		

Rev.	Issue date	Description	
		Page	Points
1.00	May 27, 2016	p.893	Modification of Figure 24-5. Format of External Interrupt Rising Edge Enable Register (EGP0, EGP1) and External Interrupt Falling Edge Enable Register (EGN0, EGN1)
		p.903	Addition of 24.4.4 Interrupt servicing during division instruction
		p.905	Addition of explanation to 24.4.5 Interrupt request hold
		p.912	Modification of (3) SNOOZE mode in 26.1 Standby Function
		p.915 to 918	Modification of Table 26-1. Operating Statuses in HALT Mode and addition of explanation to Remark in it
		p.921	Modification of (1) STOP mode setting and operating statuses in 26.3.2 STOP mode
		p.922, 923	Modification of Table 26-2. Operating Statuses in STOP Mode and Remark in it
		p.928, 929	Modification of Table 26-3. Operating Statuses in SNOOZE Mode and Remark in it
		p.931	Addition of Note to CHAPTER 27 RESET FUNCTION
		p.934	Deletion of Note from Figure 27-3. Timing of Reset Due to Watchdog Timer Overflow, Execution of Illegal Instruction, Detection of RAM Parity Error, or Detection of Illegal Memory
		p.935, 936	Modification of Table 27-1. Operation Statuses During Reset Period and Remark in it
		p.941	Modification of 27.3.3 RTC power-on-reset status register (RTCPORSR)
		p.941	Modification of Figure 27-7. Format of RTC power-on-reset status register (RTCPORSR)
		p.946 to 948	Modification of Note of Figure 28-2. Timing of Generation of Internal Reset Signal by Power-on-reset Circuit and Voltage Detector
		p.949	Modification of 29.1 Functions of Voltage Detector
		p.951	Modification of Figure 29-2. Block Diagram of VDD Pin Voltage Detector
		p.951	Modification of Figure 29-3. Block Diagram of VBAT Pin Voltage Detector
		p.952	Modification of Figure 29-4. Block Diagram of VRTC Pin Voltage Detector
		p.952	Modification of Figure 29-5. Block Diagram of EXLVD Pin Voltage Detector
		p.959	Modification of Notes of Figure 29-11. Format of Voltage detection control register for VBAT pin (LVDVBAT)
		p.961	Modification of Figure 29 - 15 Format of Voltage Detection Control for EXLVD Pin Register (LVDEXLVD)
		p.964	Modification of 29.4.2 When used as interrupt mode
		p.982	Addition of (5) When supply voltage from the pins is shut off to 29.6 Cautions for Voltage Detector
		p.982	Addition of (6) When supply voltage output to the VDDOUT pin is shut off to 29.6 Cautions for Voltage Detector
		p.983, 984	Modification and deletion of Table 30-1. Peripheral Circuit Operation State during Battery Backup and addition of Notes
		p.985	Modification of Figure 30-1. Block Diagram of Battery Backup Function
		p.986	Modification of 30.2.1 Battery backup power switching control register 0 (BUPCTL0)
p.986, 987	Modification of Figure 30-2. Format of Battery Backup Power Switching Control Register 0 (BUPCTL0) , addition of Notes , and modification of Cautions and Remark		
p.989	Modification of 30.3.1 Battery backup function		

Rev.	Issue date	Description	
		Page	Points
1.00	May 27, 2016	p.992	Modification of Figure 30-7. Procedure for Setting Battery Backup Function Operation
		p.992	Modification of Figure 30-8. Procedure for Setting Battery Backup Function Stop
		p.993	Addition of 30.3.2 Using the battery backup function
		p.999	Addition of explanation to 30.4 Usage Notes
		p.1001	Modification of Figure 31-1. Block Diagram of Oscillation Stop Detector
		p.1004	Modification of 31.3.3 Subsystem clock supply option control register (OSMC)
		p.1010	Modification of Notes of Figure 32-1. Format of Flash Memory CRC Control Register (CRC0CTL)
		p.1018	Modification of Figure 32-10. Format of Invalid Memory Access Detection Control Register (IAWCTL)
		p.1019	Modification of Figure 32-11. Invalid access detection area and Note in it
		p.1031	Addition of explanation to (3) 000C2H/010C2H in 35.1.1 User option byte (000C0H to 000C2H/010C0H to 010C2H)
		p.1038	Modification of CHAPTER 36 FLASH MEMORY
		p.1043	Modification of Figure 36-4. Communication with External Device
		p.1048	Modification of Table 36-5. Programming Modes and Voltages at Which Data Can Be Written, Erased, or Verified
		p.1051	Modification of Table 36-8. Signature Data List
		p.1053	Modification of Cautions in 36.6 Self-Programming
		p.1057	Modification of Figure 36-11. Flash Shield Window Setting Example
		p.1064	Modification of Figure 37-1. Example of Connections with the E1 On-chip Debugging Emulator (when the Battery Backup Function is in Use) and Notes in it
		p.1067	Modification of Notes of Figure 37-3. Memory Spaces Where Debug Monitor Programs Are Allocated
		p.1112	Deletion of "TARGET" from CHAPTER 41 ELECTRICAL SPECIFICATIONS
		p.1113	Modification of 41.1 Absolute Maximum Ratings
		p.1117	Modification of 41.2.2 On-chip oscillator characteristics
		p.1124 to 1131	Modification of 41.3.2 Supply current characteristics and Note
		p.1134	Modification of 41.4 AC Characteristics
		p.1136	Addition of Key interrupt Input Timing to 41.4 AC Characteristics
		p.1167	Modification of 41.6.2 24-bit $\Delta\Sigma$ A/D converter characteristics
		p.1172	Modification of 41.7.1 Power supply switching characteristics
		p.1173	Modification of 41.7.2 V_{DD} pin voltage detection characteristics and addition of figure
		p.1174	Modification of 41.7.3 V_{BAT} pin voltage detection characteristics and addition of figure
		p.1175	Modification of 41.7.4 V_{RTC} pin voltage detection characteristics and addition of figure
		p.1176	Modification of 41.7.5 EXLVD pin voltage detection and addition of figure
p.1181	Modification of 41.9 RAM Data Retention Characteristics		
p.1185	Modification of 42.3 100-pin Products		

RL78/I1C User's Manual: Hardware

Publication Date: Rev. 1.00 May 27, 2016

Published by: Renesas Electronics Corporation

**SALES OFFICES****Renesas Electronics Corporation**<http://www.renesas.com>Refer to "<http://www.renesas.com/>" for the latest and detailed information.**Renesas Electronics America Inc.**2801 Scott Boulevard Santa Clara, CA 95050-2549, U.S.A.
Tel: +1-408-588-6000, Fax: +1-408-588-6130**Renesas Electronics Canada Limited**9251 Yonge Street, Suite 8309 Richmond Hill, Ontario Canada L4C 9T3
Tel: +1-905-237-2004**Renesas Electronics Europe Limited**Dukes Meadow, Millboard Road, Bourne End, Buckinghamshire, SL8 5FH, U.K
Tel: +44-1628-585-100, Fax: +44-1628-585-900**Renesas Electronics Europe GmbH**Arcadiastrasse 10, 40472 Düsseldorf, Germany
Tel: +49-211-6503-0, Fax: +49-211-6503-1327**Renesas Electronics (China) Co., Ltd.**Room 1709, Quantum Plaza, No.27 ZhiChunLu Haidian District, Beijing 100191, P.R.China
Tel: +86-10-8235-1155, Fax: +86-10-8235-7679**Renesas Electronics (Shanghai) Co., Ltd.**Unit 301, Tower A, Central Towers, 555 Langao Road, Putuo District, Shanghai, P. R. China 200333
Tel: +86-21-2226-0888, Fax: +86-21-2226-0999**Renesas Electronics Hong Kong Limited**Unit 1601-1611, 16/F., Tower 2, Grand Century Place, 193 Prince Edward Road West, Mongkok, Kowloon, Hong Kong
Tel: +852-2265-6688, Fax: +852 2886-9022**Renesas Electronics Taiwan Co., Ltd.**13F, No. 363, Fu Shing North Road, Taipei 10543, Taiwan
Tel: +886-2-8175-9600, Fax: +886 2-8175-9670**Renesas Electronics Singapore Pte. Ltd.**80 Bendemeer Road, Unit #06-02 Hyflux Innovation Centre, Singapore 339949
Tel: +65-6213-0200, Fax: +65-6213-0300**Renesas Electronics Malaysia Sdn.Bhd.**Unit 1207, Block B, Menara Amcorp, Amcorp Trade Centre, No. 18, Jln Persiaran Barat, 46050 Petaling Jaya, Selangor Darul Ehsan, Malaysia
Tel: +60-3-7955-9390, Fax: +60-3-7955-9510**Renesas Electronics India Pvt. Ltd.**No.777C, 100 Feet Road, HAL II Stage, Indiranagar, Bangalore, India
Tel: +91-80-67208700, Fax: +91-80-67208777**Renesas Electronics Korea Co., Ltd.**12F., 234 Teheran-ro, Gangnam-Gu, Seoul, 135-080, Korea
Tel: +82-2-558-3737, Fax: +82-2-558-5141

RL78/I1C